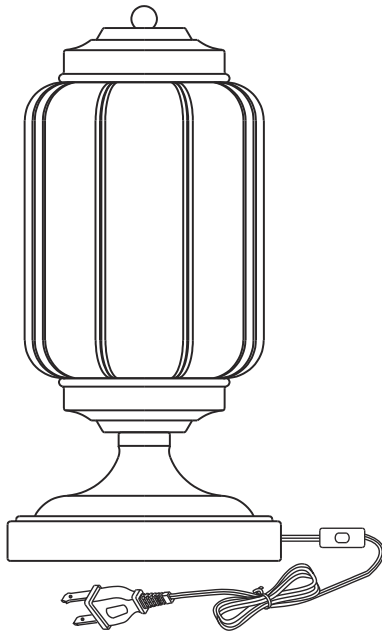


User Manual

Glass Table Lamp



Made in China

Introduction

Thank you for purchasing our traditional table lamp, please read the following instructions carefully before use.

Cautions

1. When opening the package with a sharp tool like a utility knife, take care not to damage the internal components.
2. Carefully remove all packaging materials and keep them for future use.
3. Keep all hardware parts and packaging out of the reach of small children.
4. Do not allow children to play with this product.
5. Please make sure that the voltage is 100-120V, which is standard for US. This product can only be used between 100-120V.
6. Please check whether the packing list is complete. If there are any missing or damaged accessories, please contact us

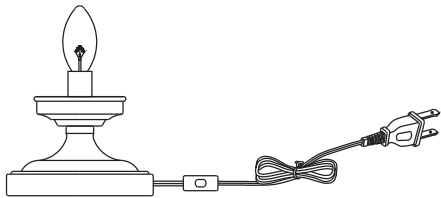
Parameter

Lamp	
Model	A
Material	Metal+Glass
Switch	Rocker Switch
Socket Type	E12
Bulb	
Voltage	120V
Power	4W
CCT	2700K
Recommended Bulb	B-E12、C35L-4S-E12、T25-4S-E12

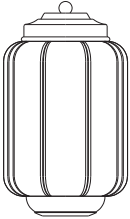
Warranty and Our mission

Light the world, Warm your heart, which is the goal that we have been pursuing. We'd like to provide the best lamps and service to you. We provide a 12-month warranty for you. If you have any questions or suggestions, please contact us soon, we would do our best to solve the problem and improve ourselves. Wish you enjoy the lamp and our service.

Package List



A.Lamp x1



B.Lampshade x1



Tips: This product is equipped with a B-E12 bulb. For first-time use, please check that the bulb/lampshade is securely tightened. If replacement is needed, please select an appropriate bulb according to the recommended specifications.

