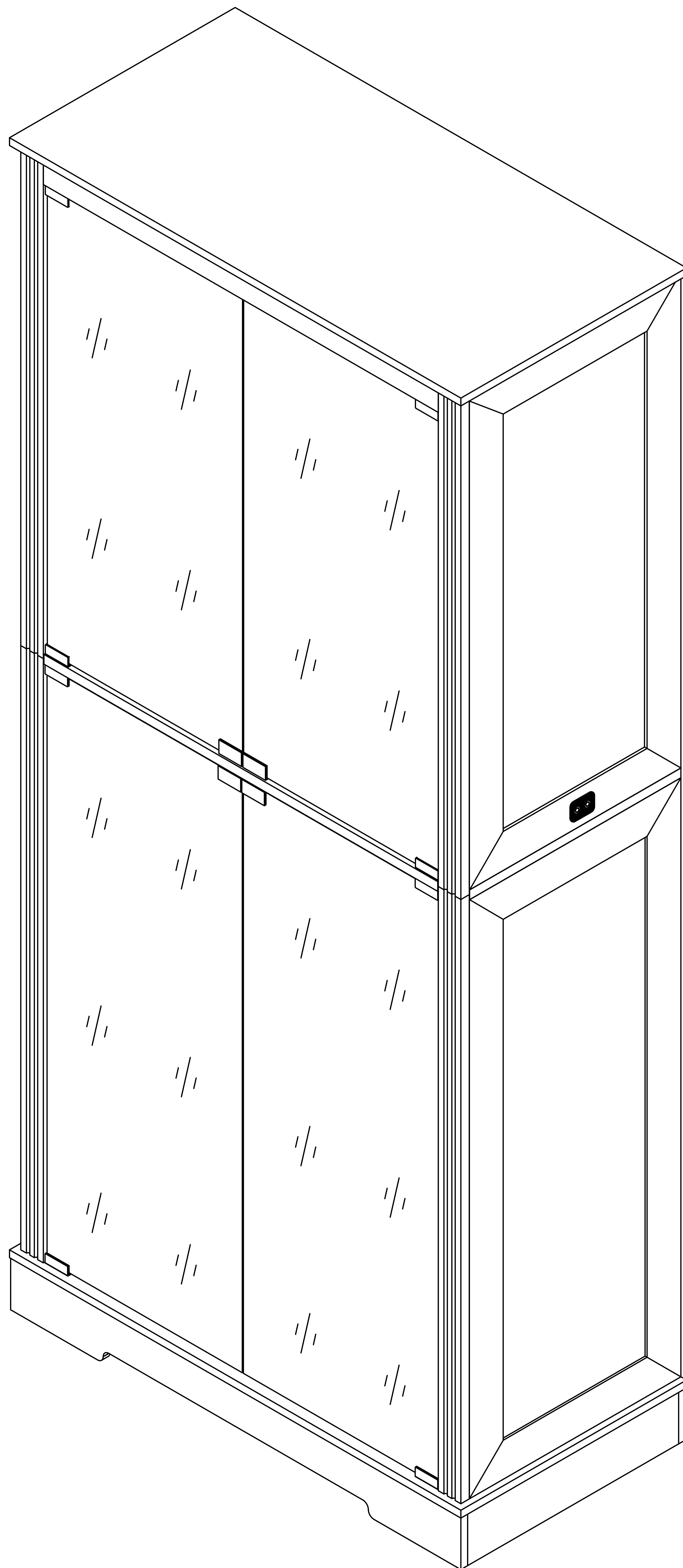
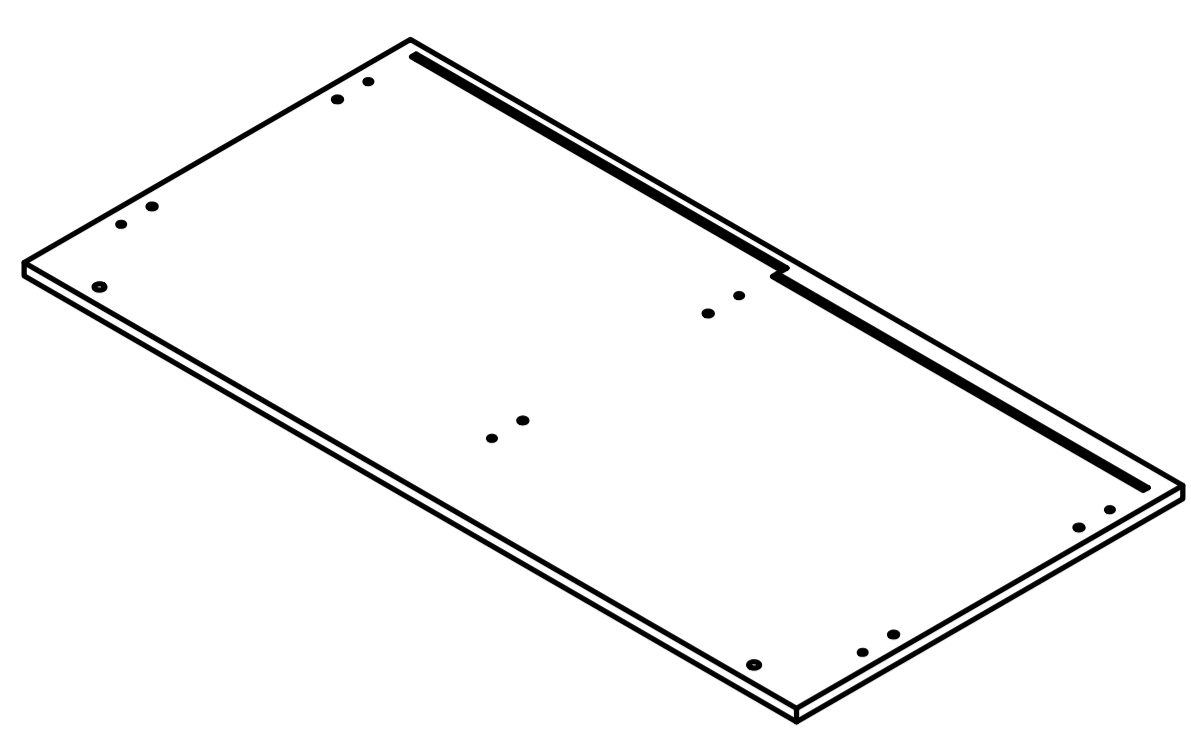
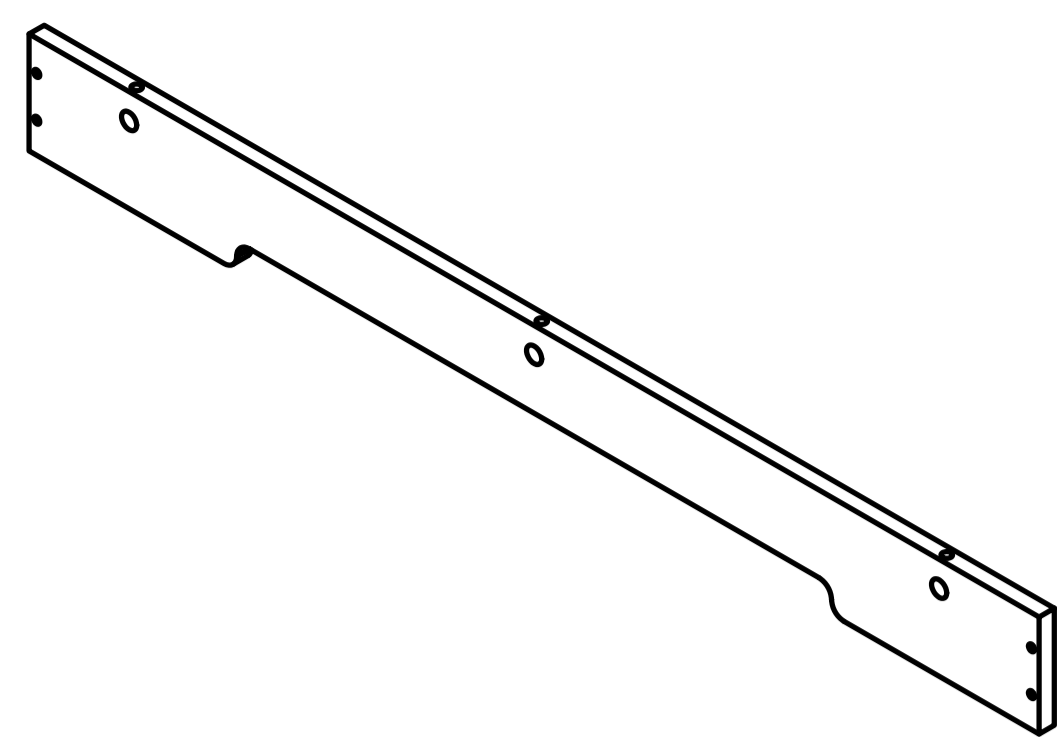


Product Installation Instructions

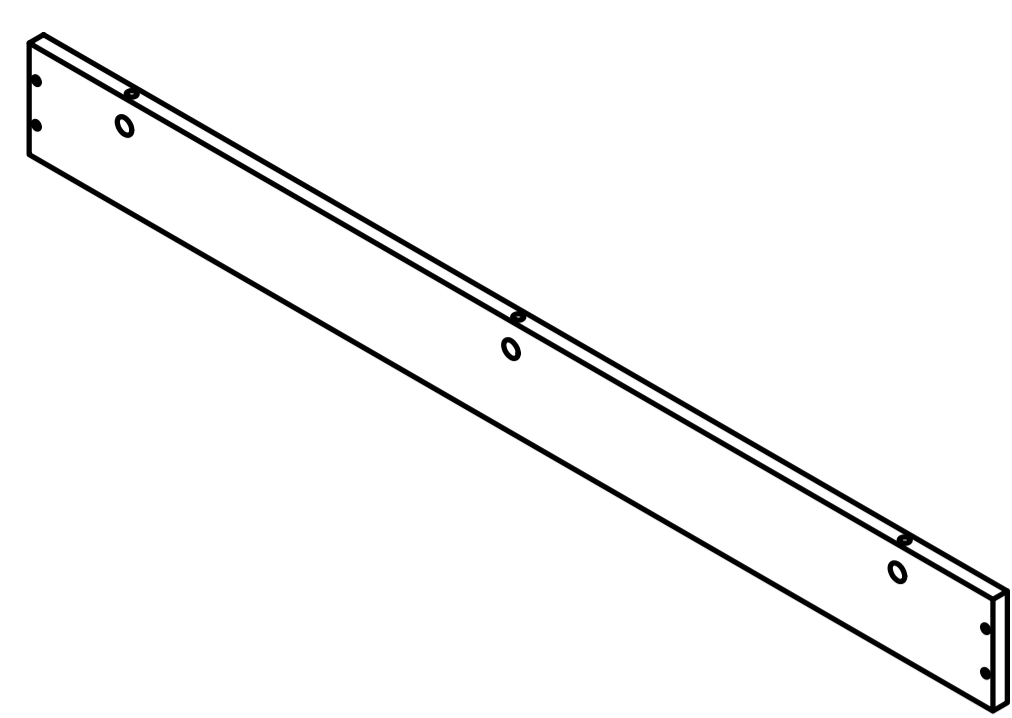




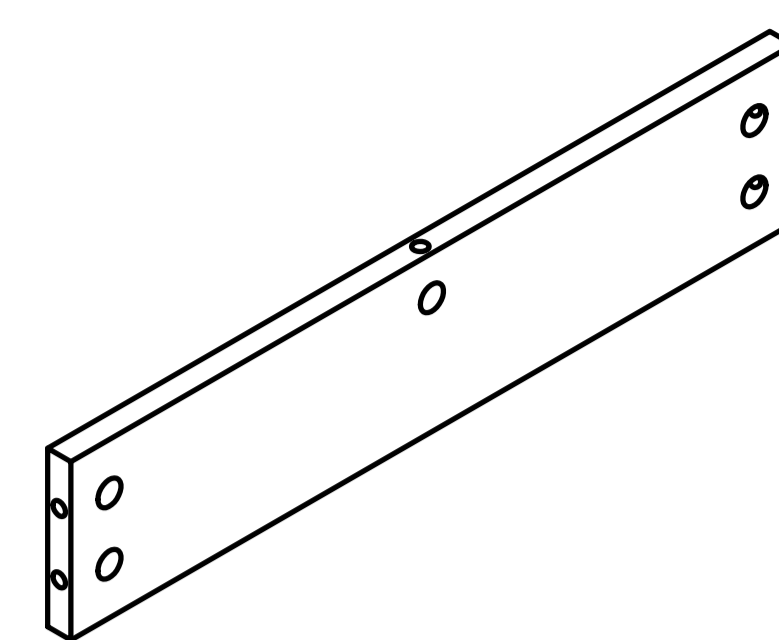
Ax1



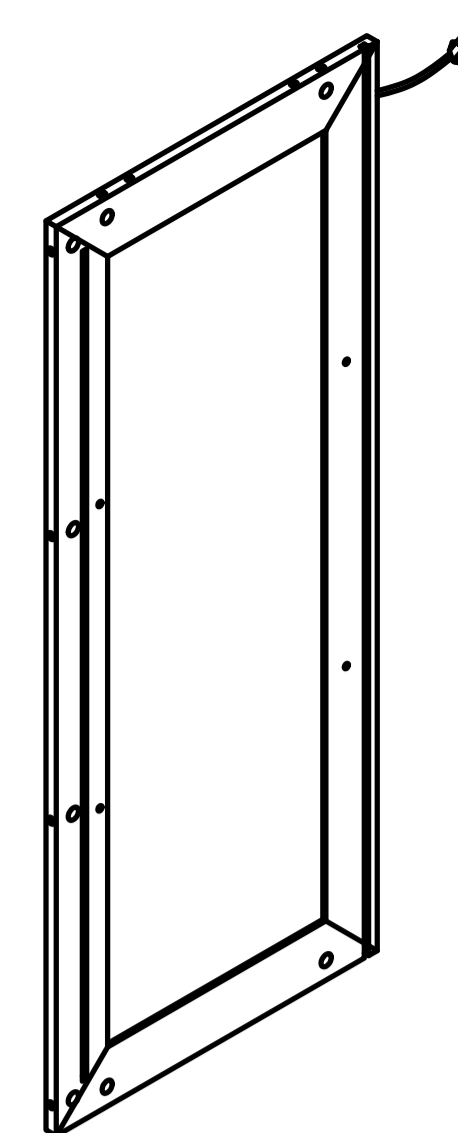
Bx1



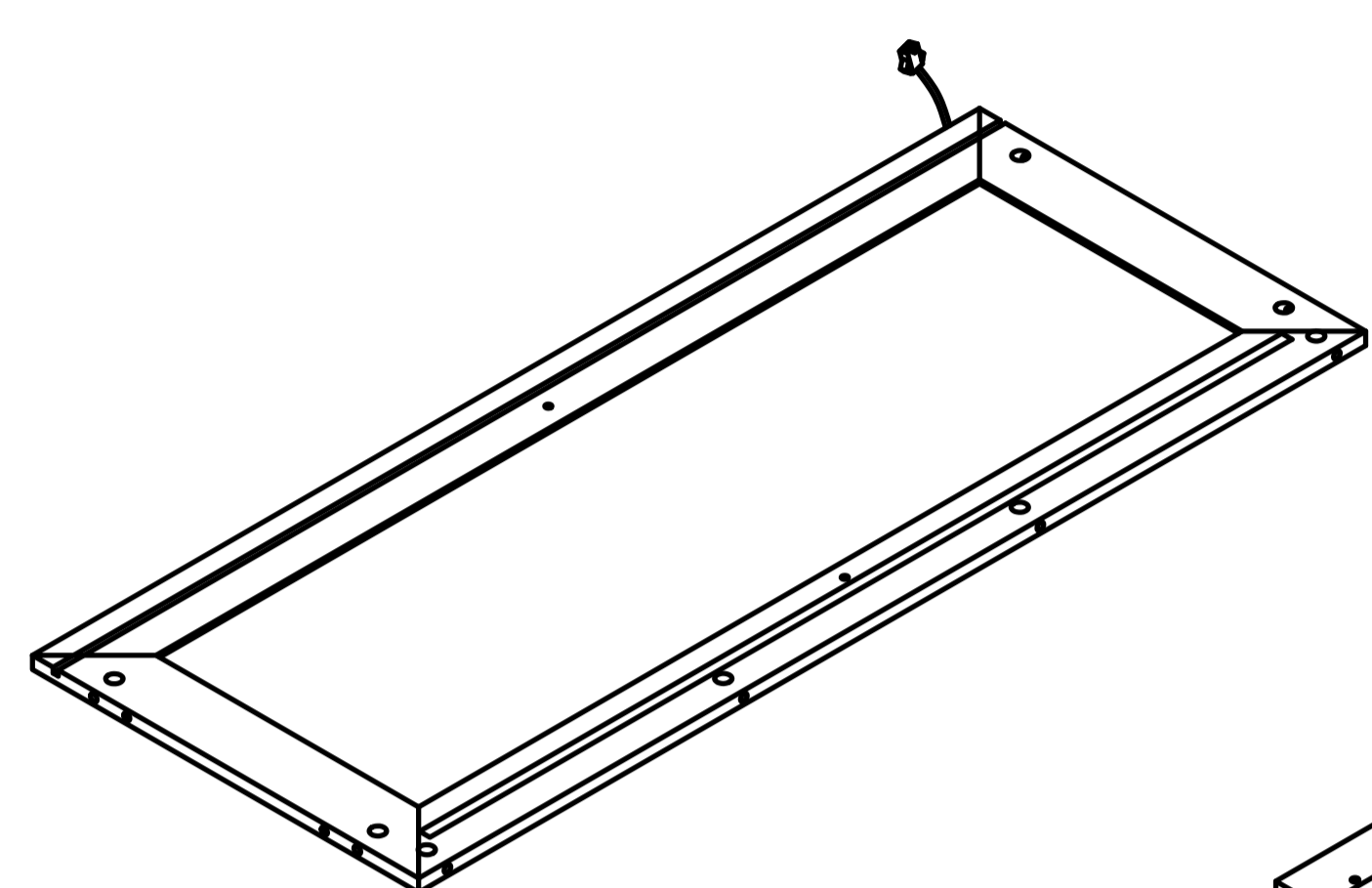
Cx1



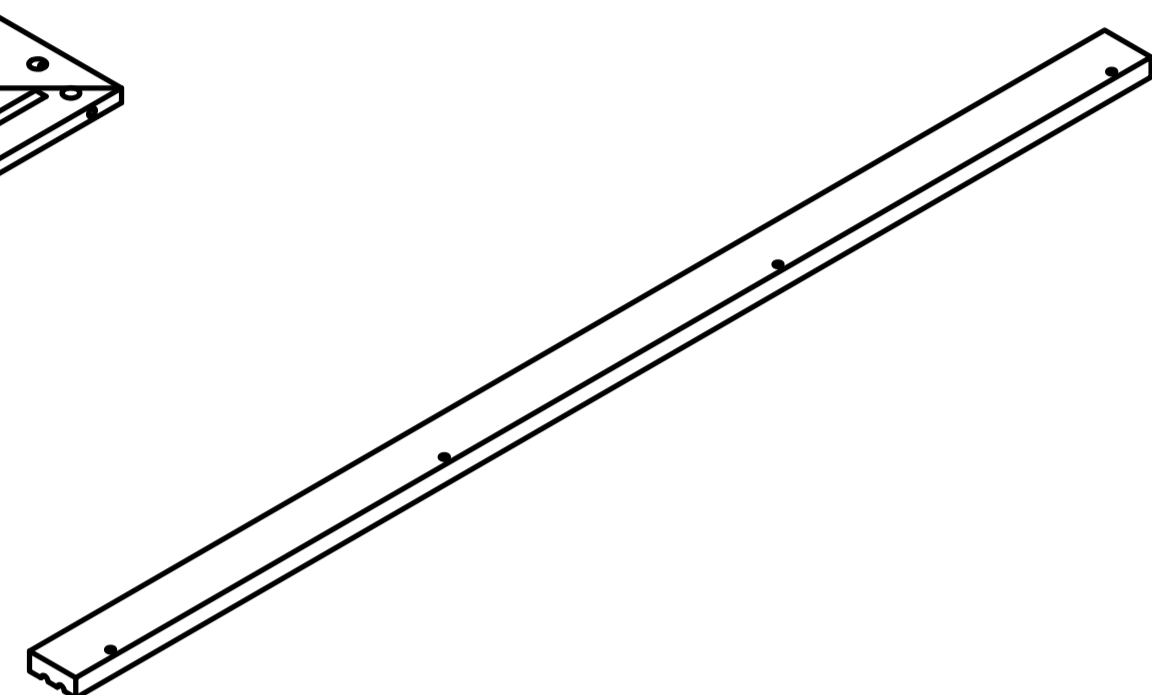
Dx2



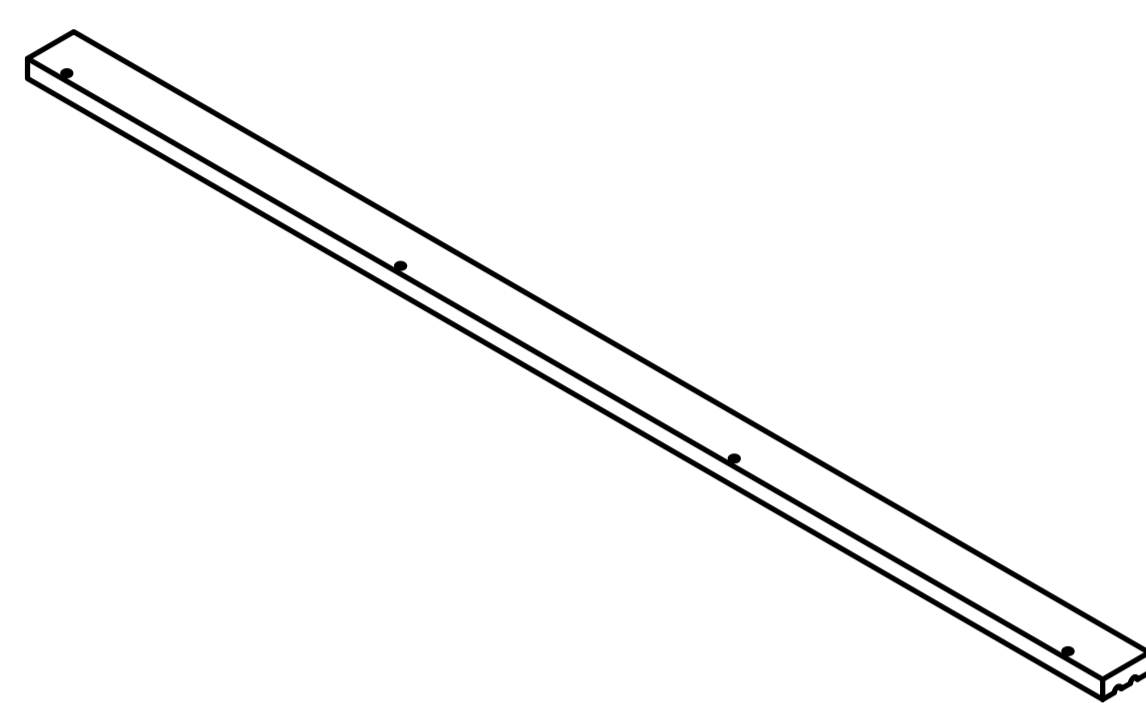
Ex1



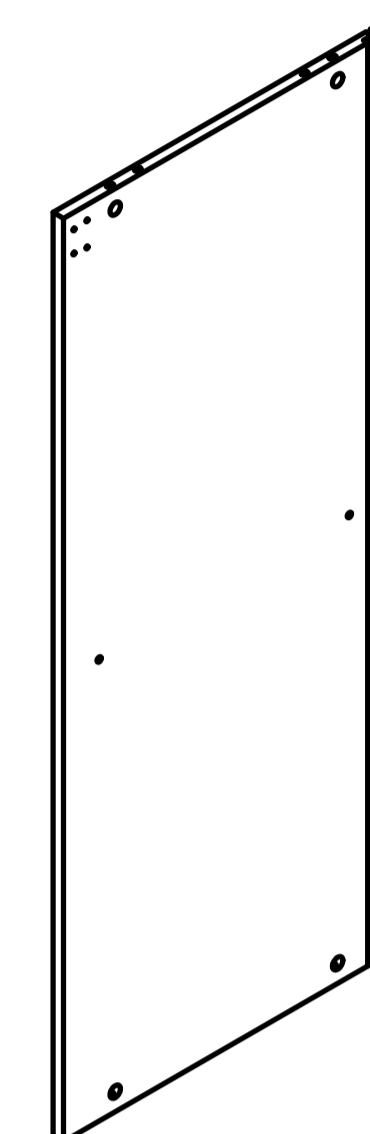
Fx1



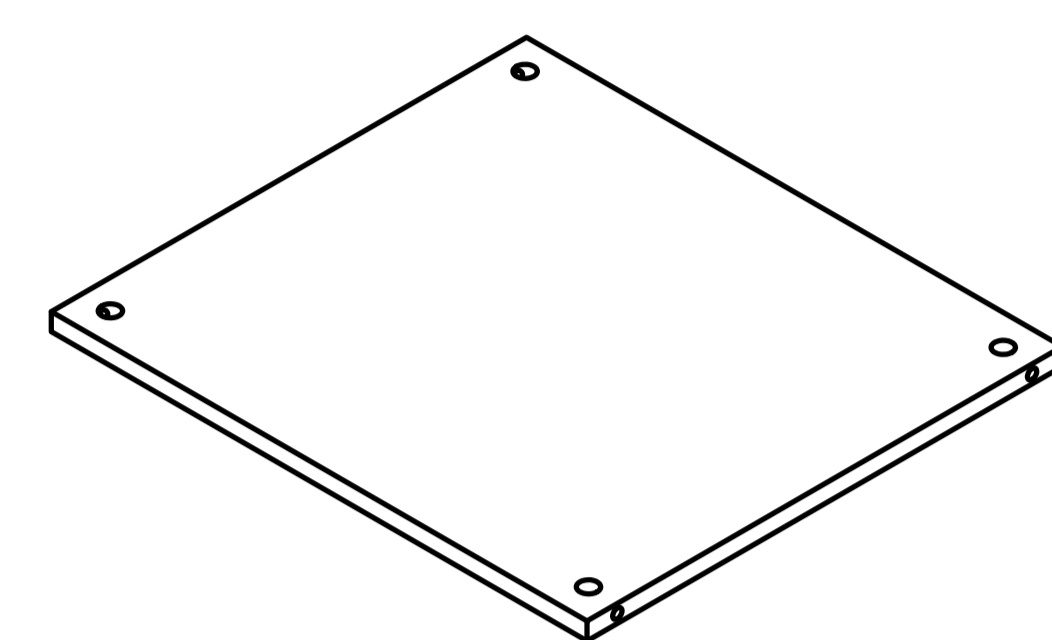
Gx1



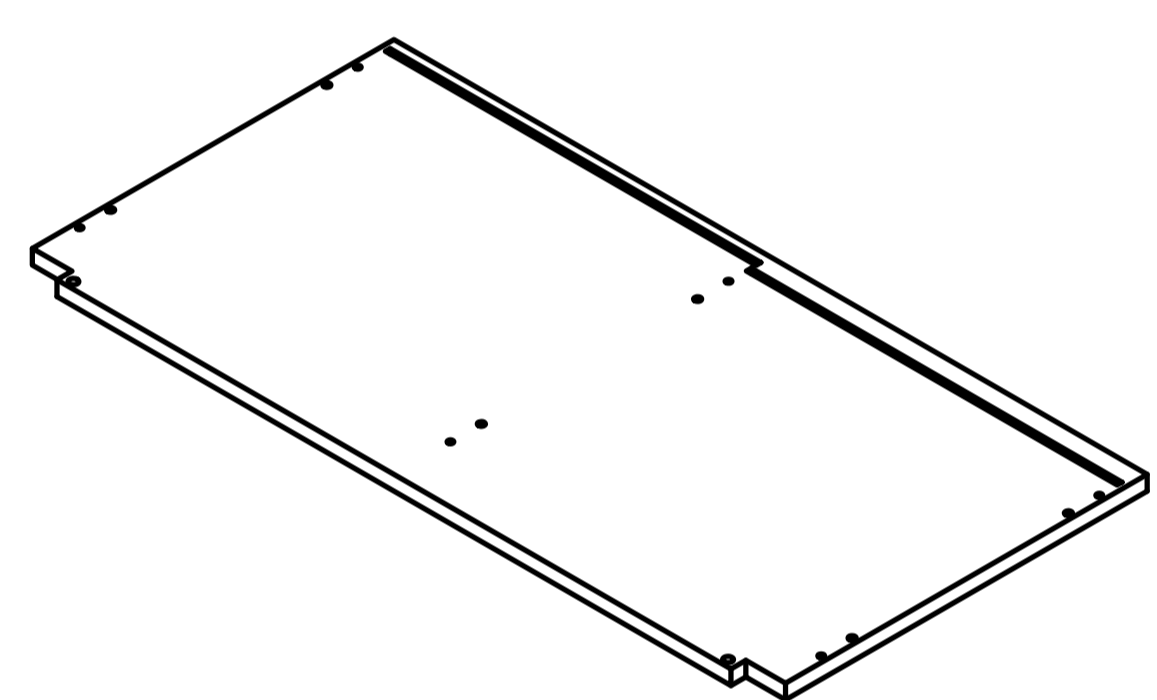
Hx1



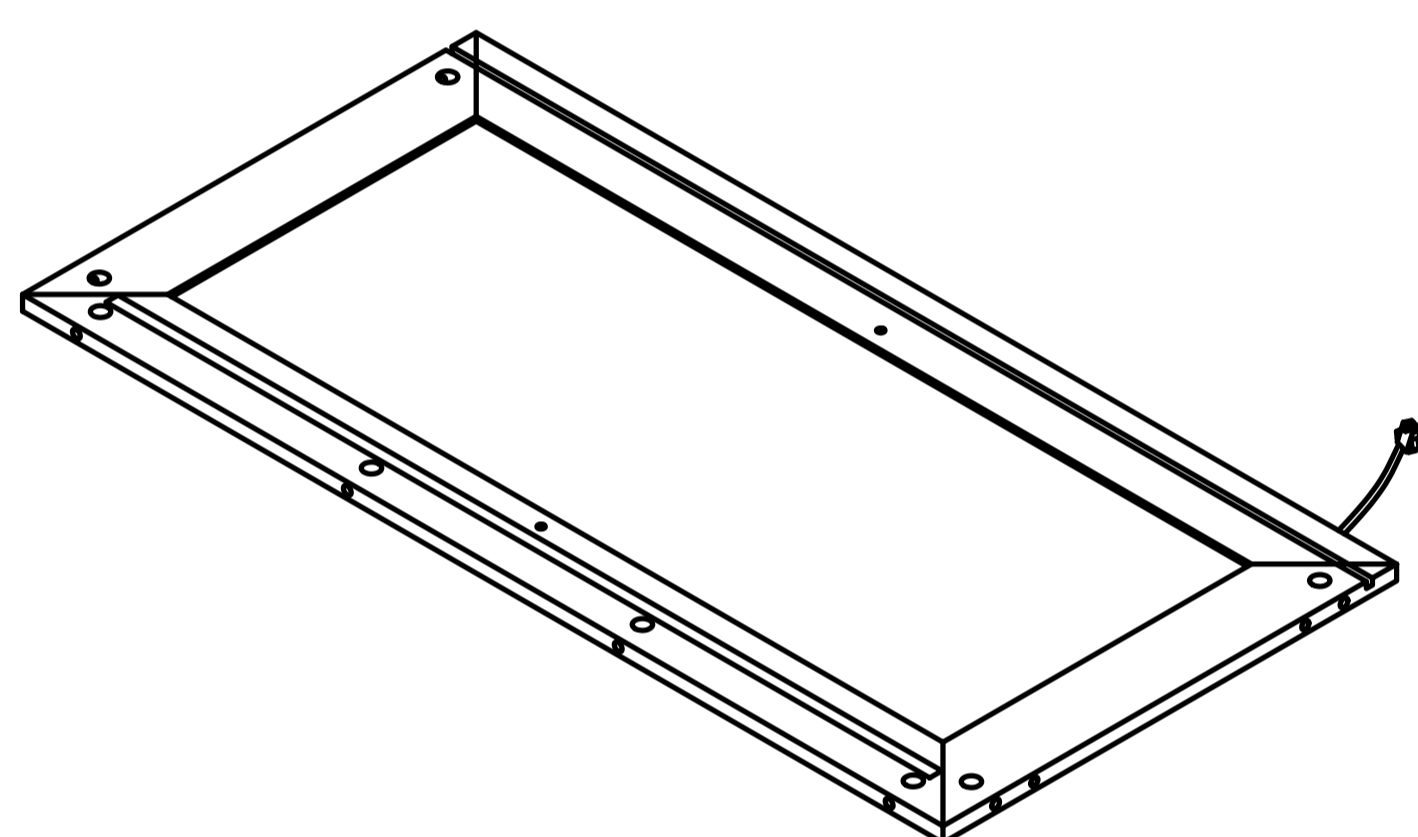
Ix1



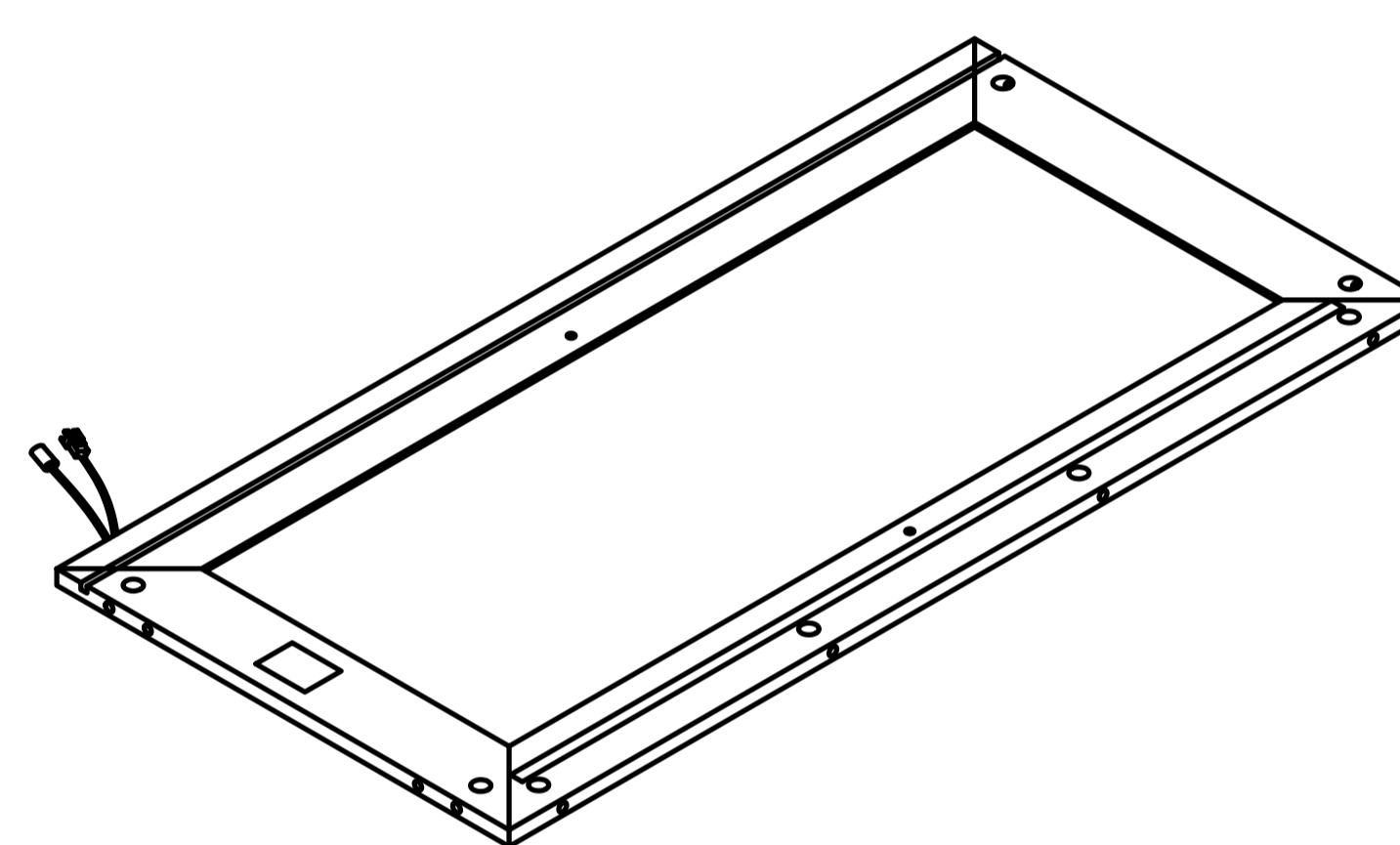
Jx1



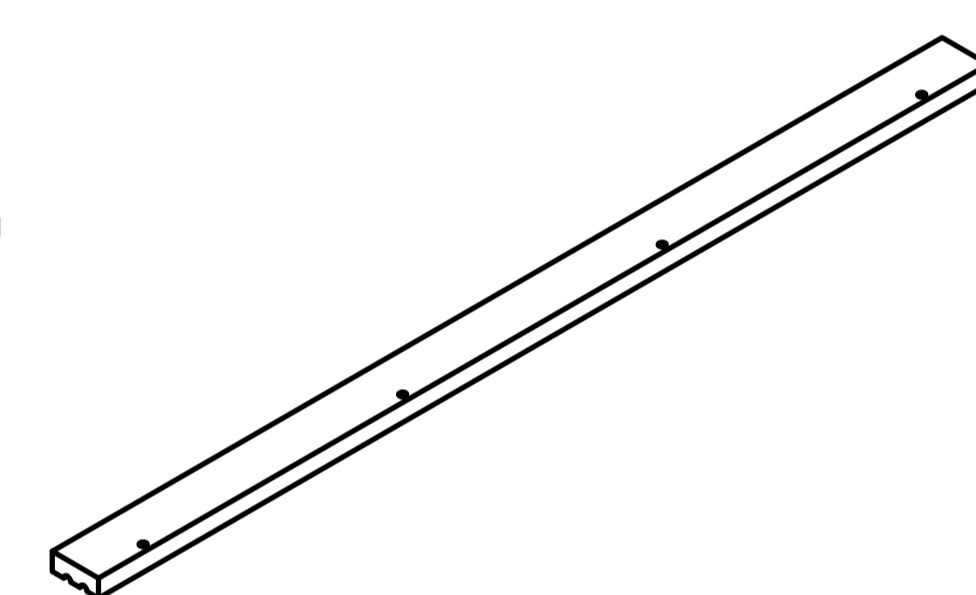
Kx1



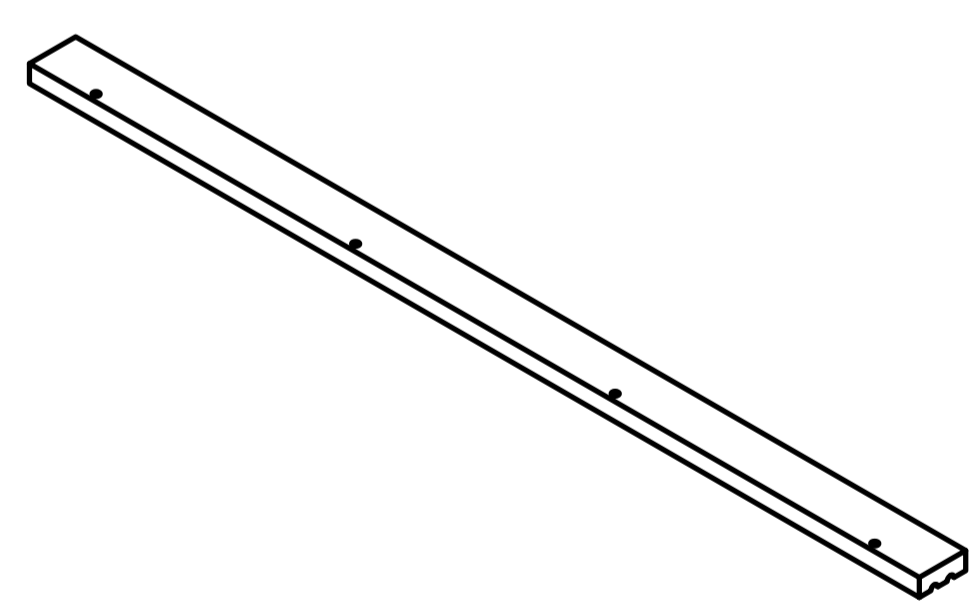
Lx1



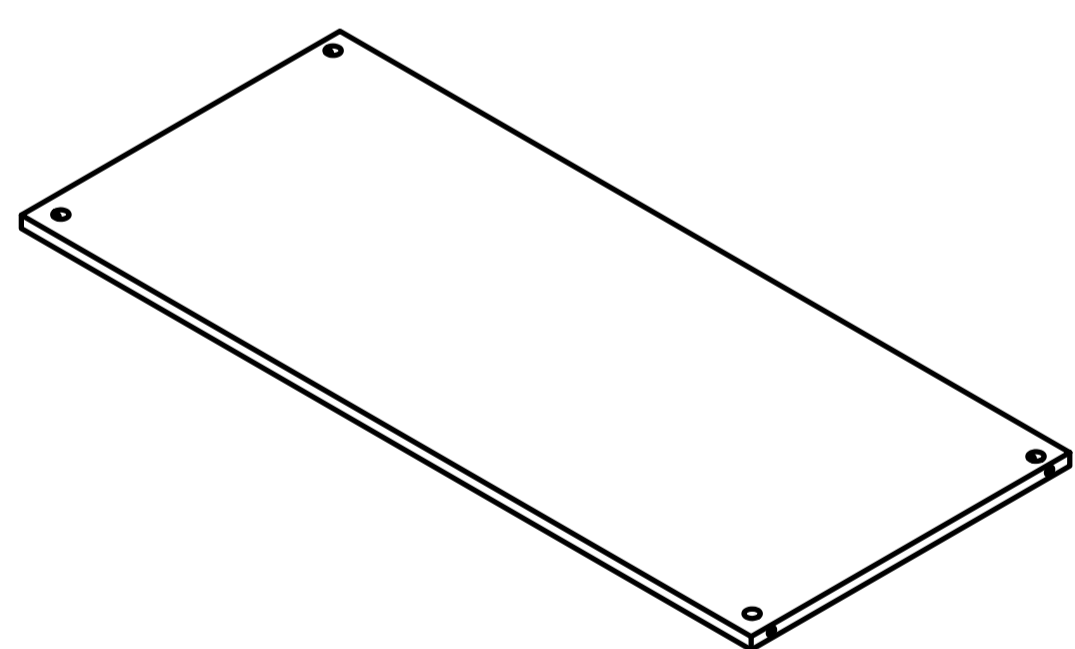
Mx1



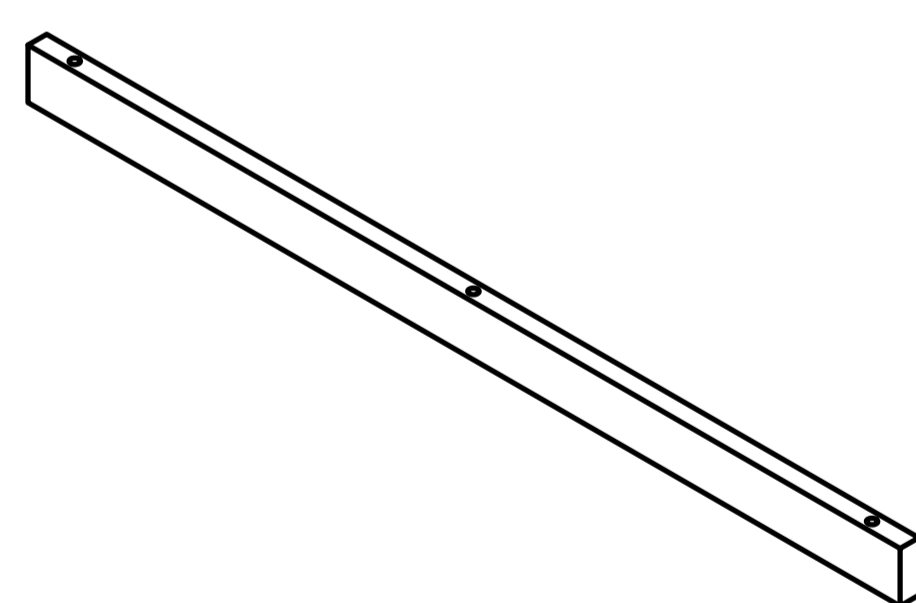
Nx1



Ox1



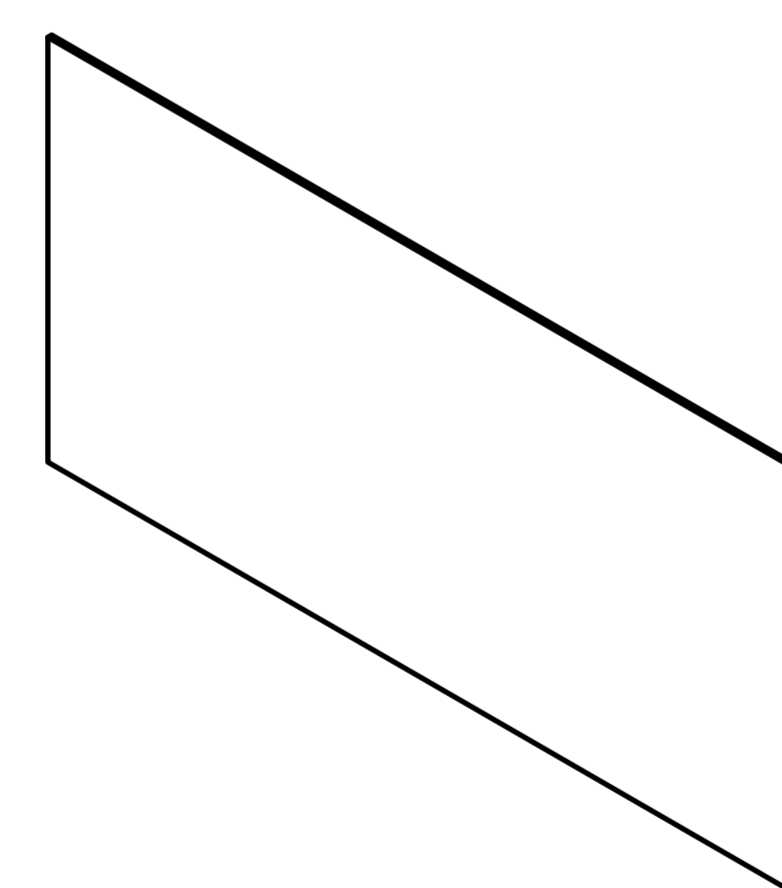
Px1



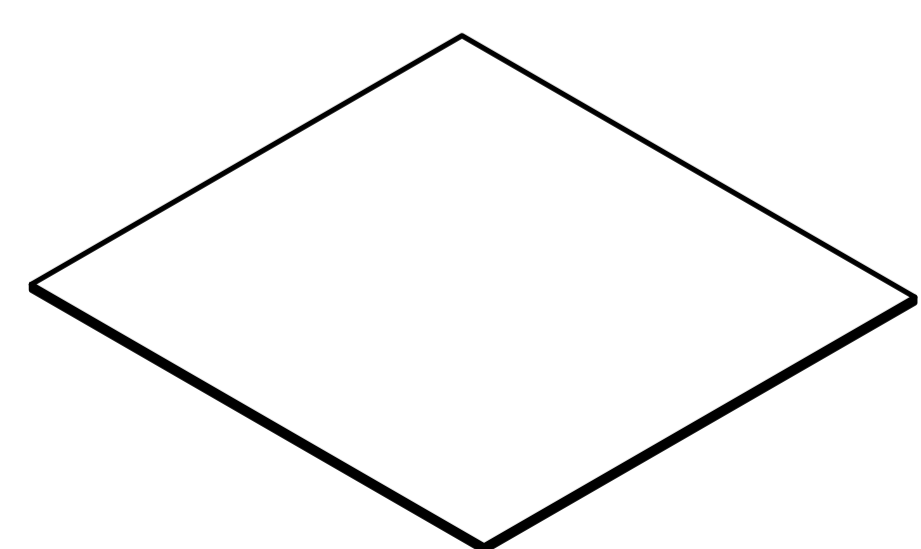
Qx1



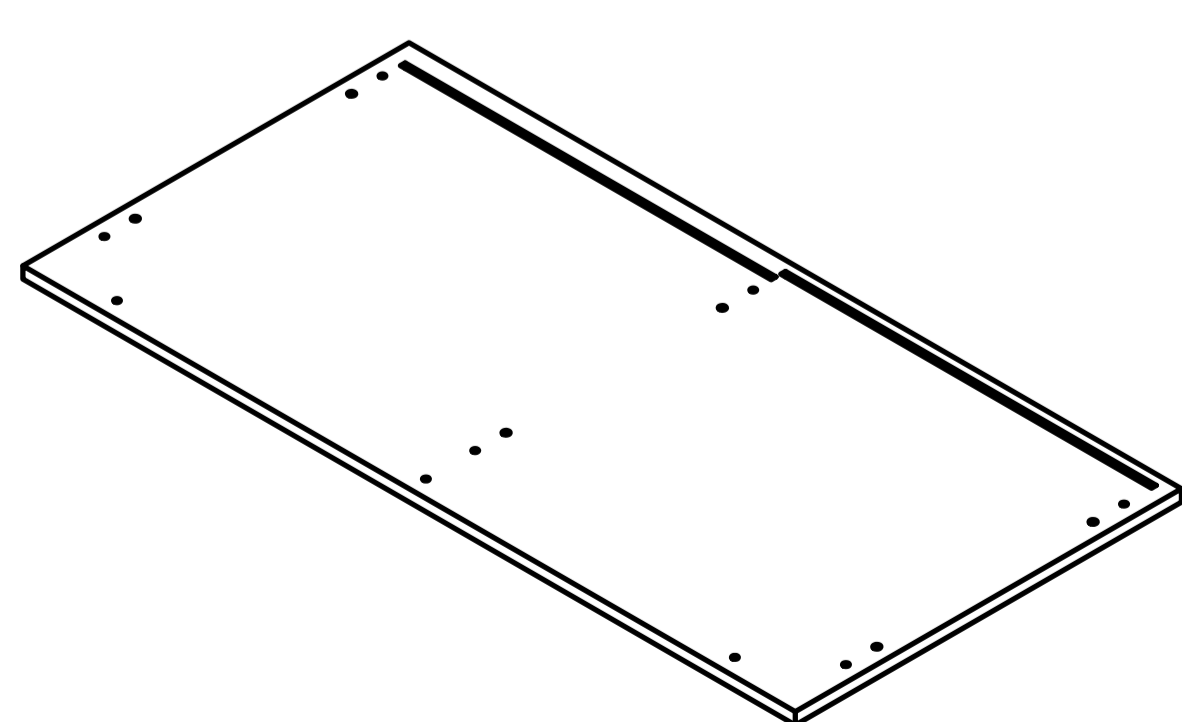
Rx2



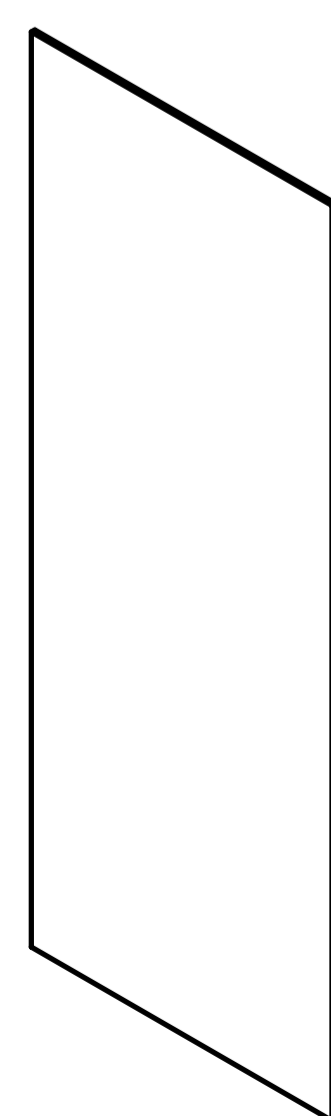
Sx2



Tx2



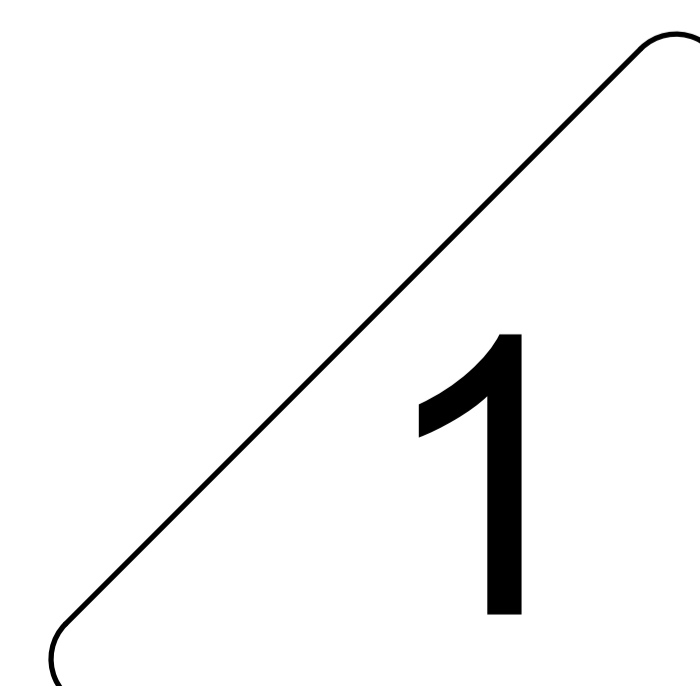
Ux1



Vx2

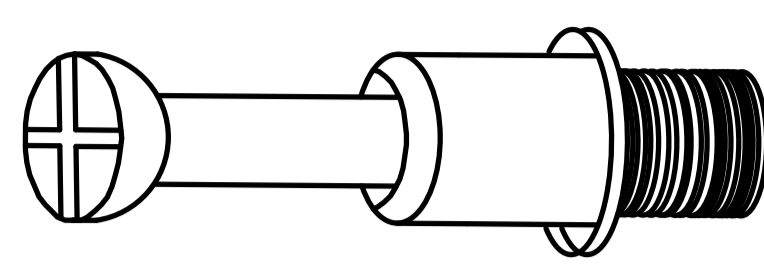
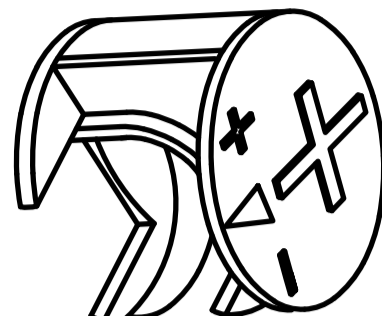
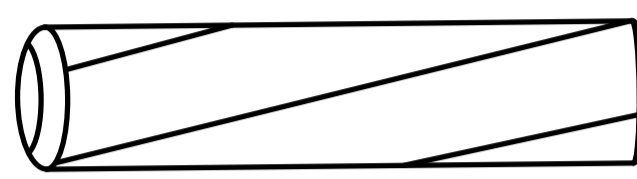

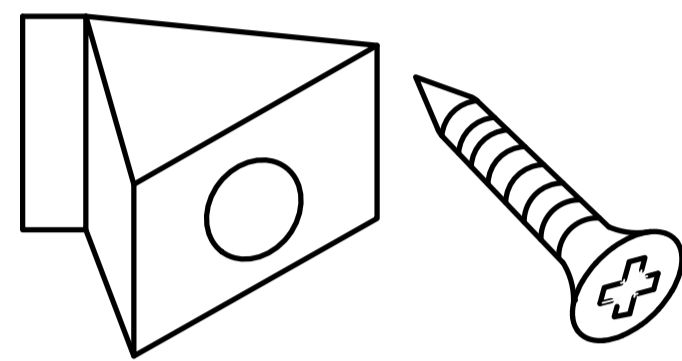
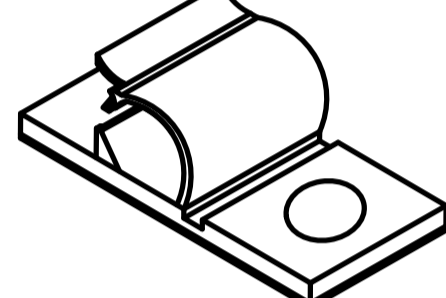
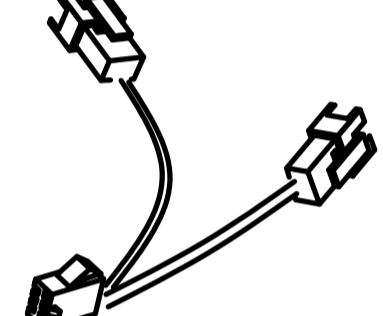
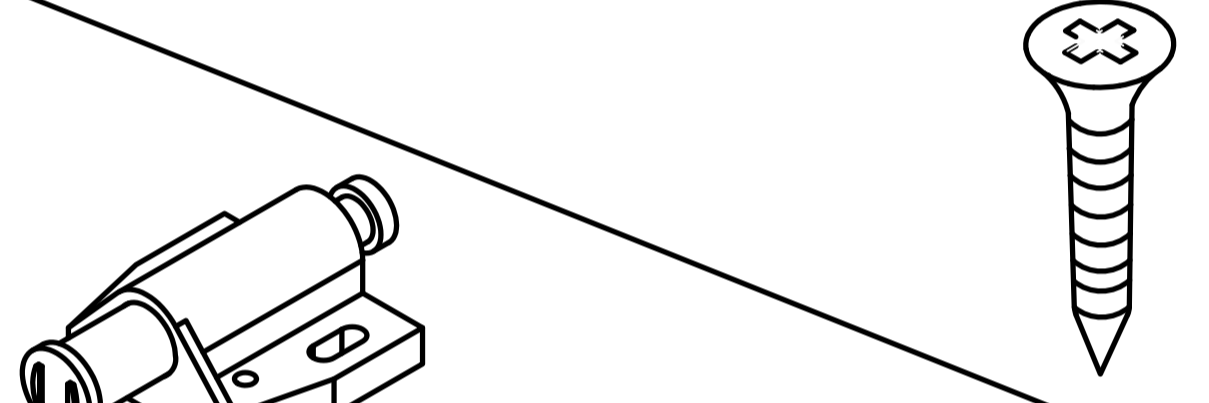
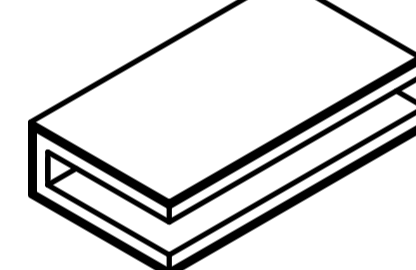
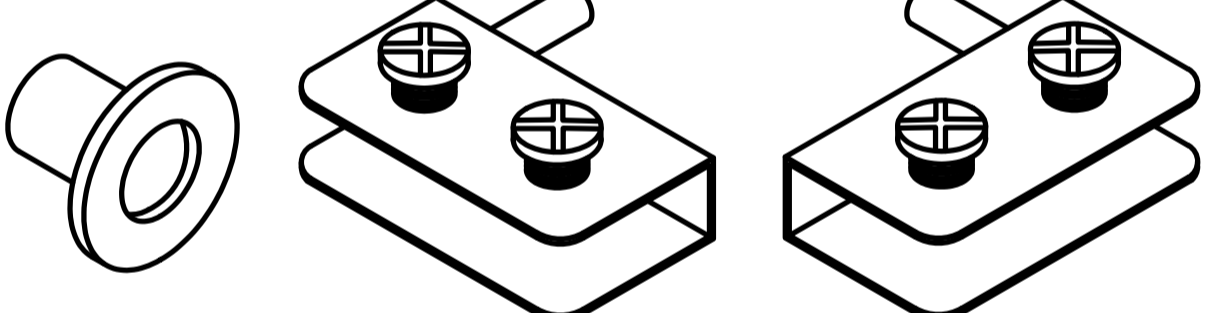
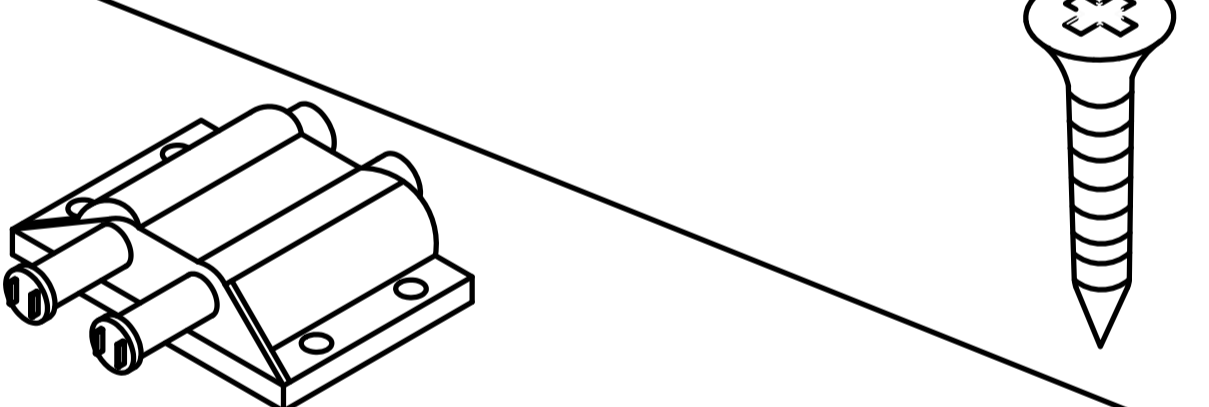
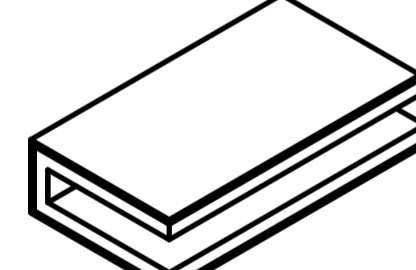
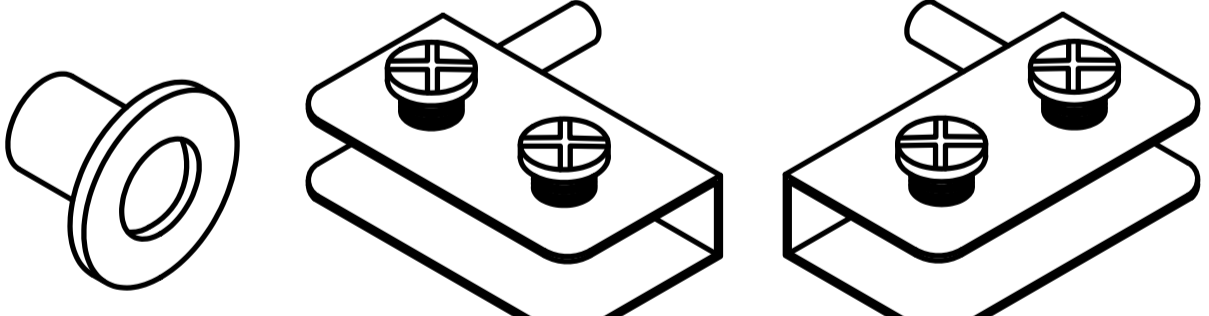
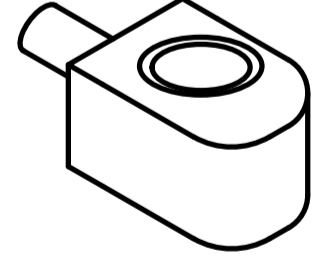
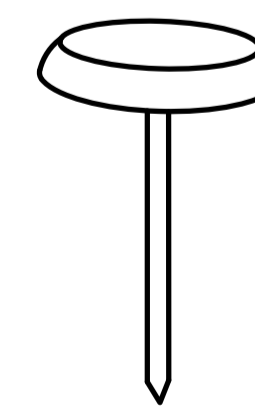
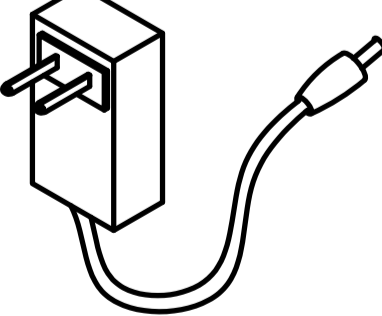
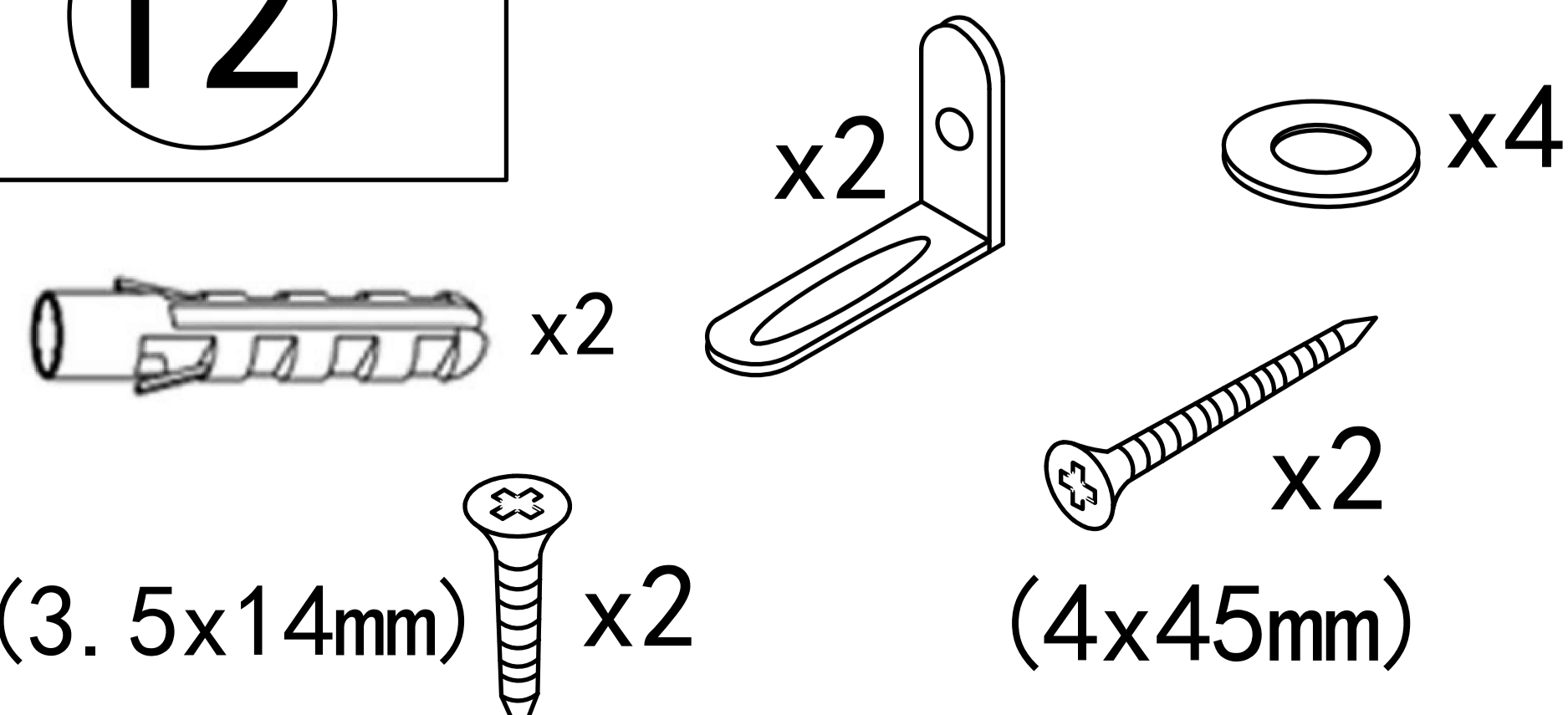
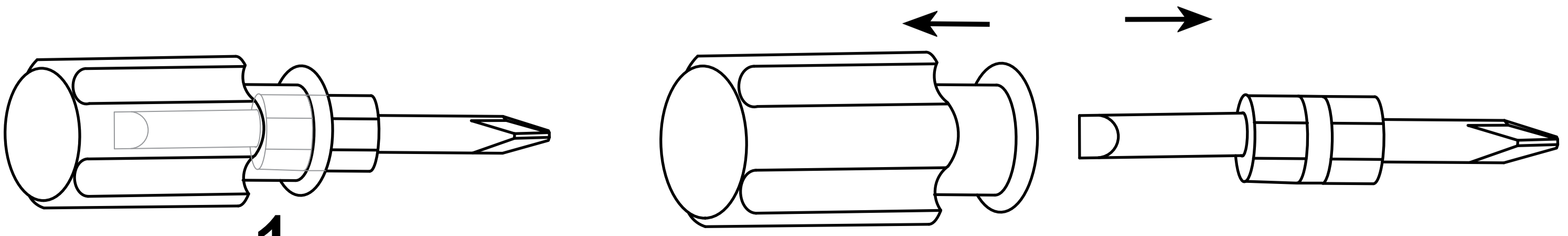
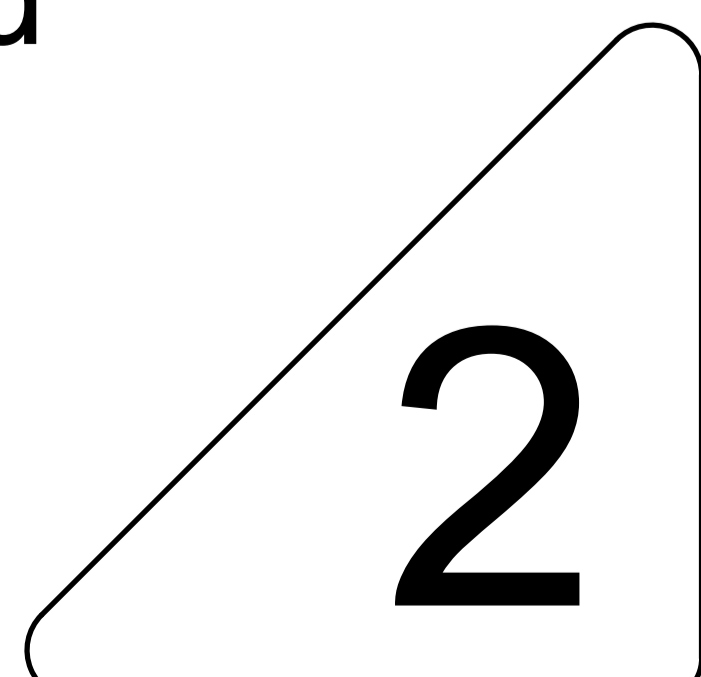


Wx2

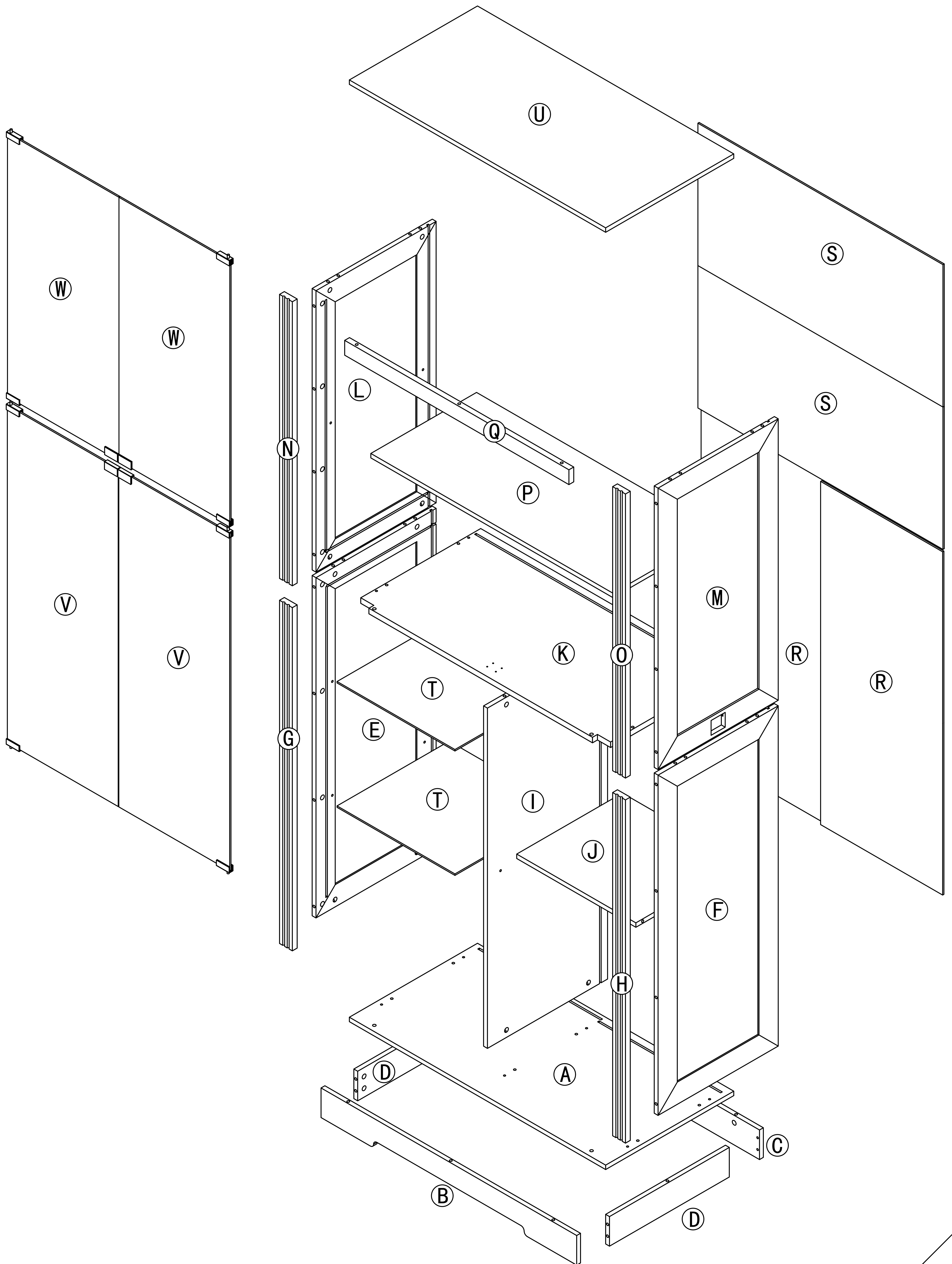


1

Accessories list

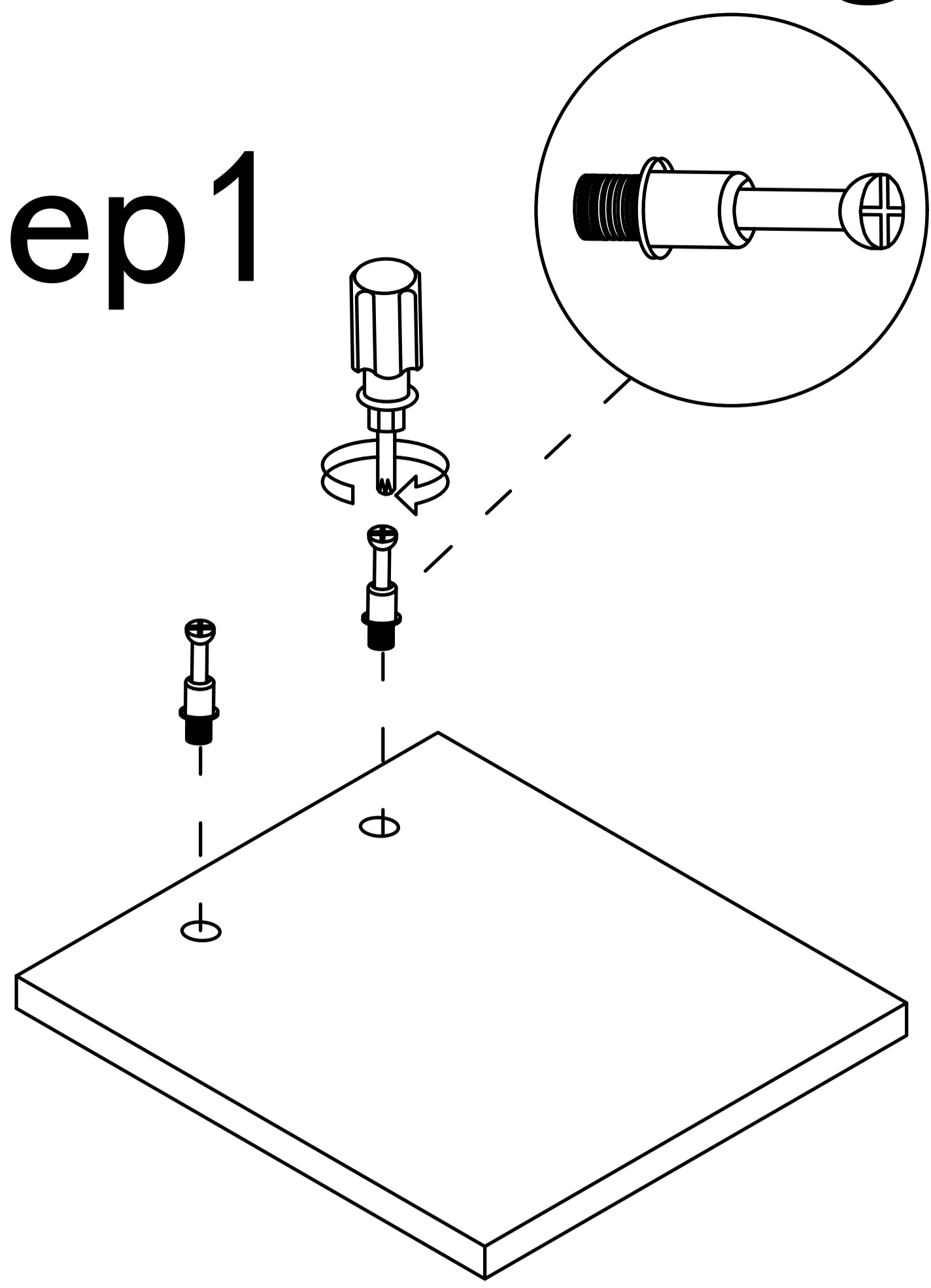
①		<p>Two in one screw (6x28mm)</p>	<p>63pcs +3pcs</p>
②		<p>Two in one nut (10x12mm)</p>	<p>63pcs +3pcs</p>
③		<p>Wood Chipping (6x30mm)</p>	<p>20pcs +4pcs</p>
④		<p>Non-slip pads</p>	<p>6pcs</p>
⑤		<p>Fixing clip & screw (3x16mm)</p>	<p>20pcs +1pcs</p>
⑥		<p>Wire clamp</p>	<p>3pcs +2pcs</p>
⑦		<p>Double end connecting line</p>	<p>2pcs</p>
⑧		<p>Rebound device & Screw (3x16mm)</p>	<p>8pcs +2pcs 2pcs</p>
		<p>Iron sheet</p>	<p>2pcs</p>
⑨		<p>Hinge</p>	<p>4pcs</p>
		<p>Rebound device & Screw (3x16mm)</p>	<p>4pcs +1pcs 1pcs</p>
		<p>Iron sheet</p>	<p>2pcs</p>
⑩		<p>Hinge</p>	<p>4pcs</p>
		<p>Laminate Support Nail</p>	<p>8pcs</p>
⑪		<p>Foot nail</p>	<p>2pcs +1pcs</p>
⑫		<p>AC/DC Adapter (12V=3.0A)</p>	<p>1pcs</p>
	<p>Anti Fall Hardware</p>  <p>(3.5x14mm) x2 x2 x4 x2 (4x45mm)</p>	<p>Double-head screwdriver, use as required</p>  <p>1pcs</p>	 <p>2</p>

Product structure decomposition

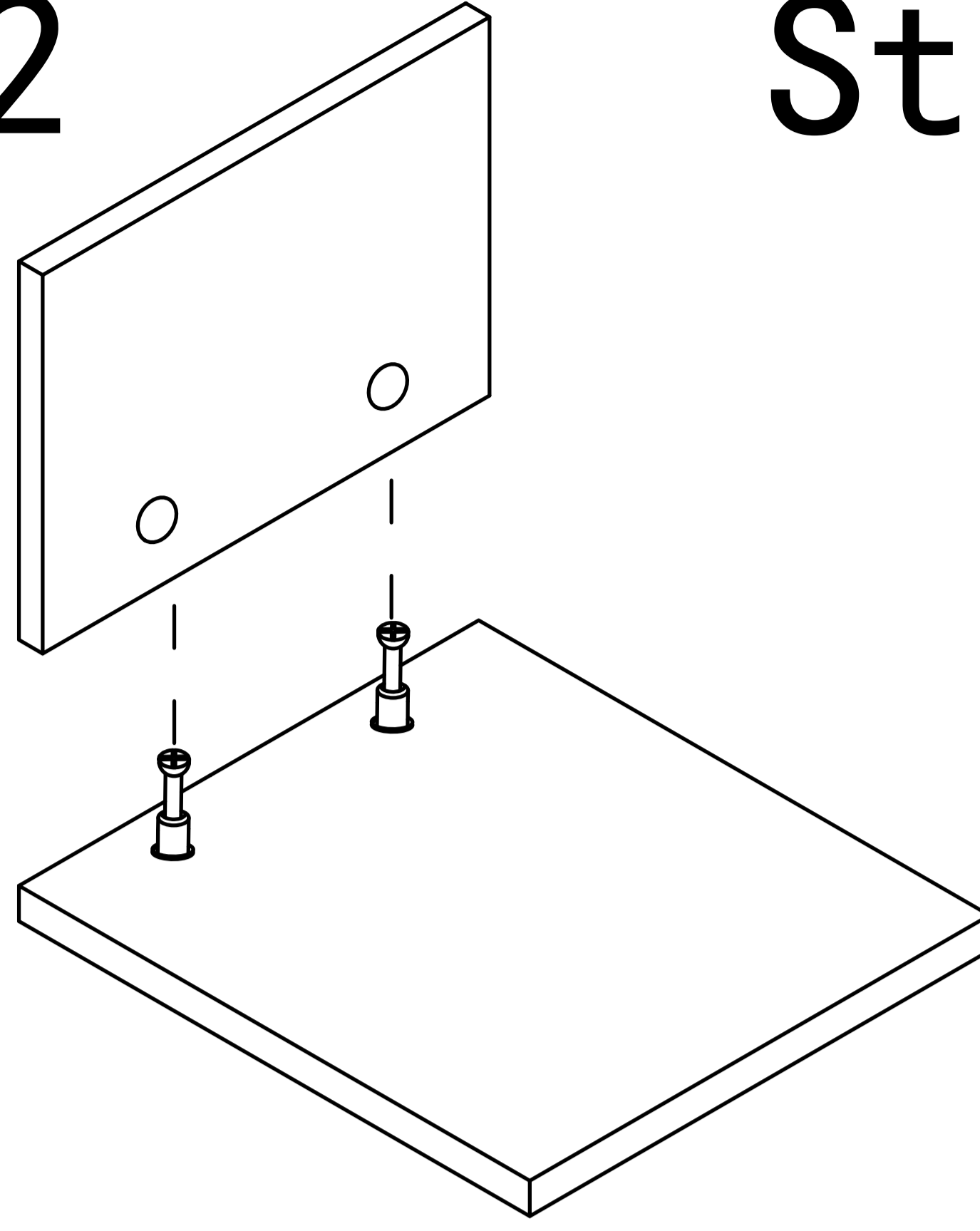


Use parts ① and ②

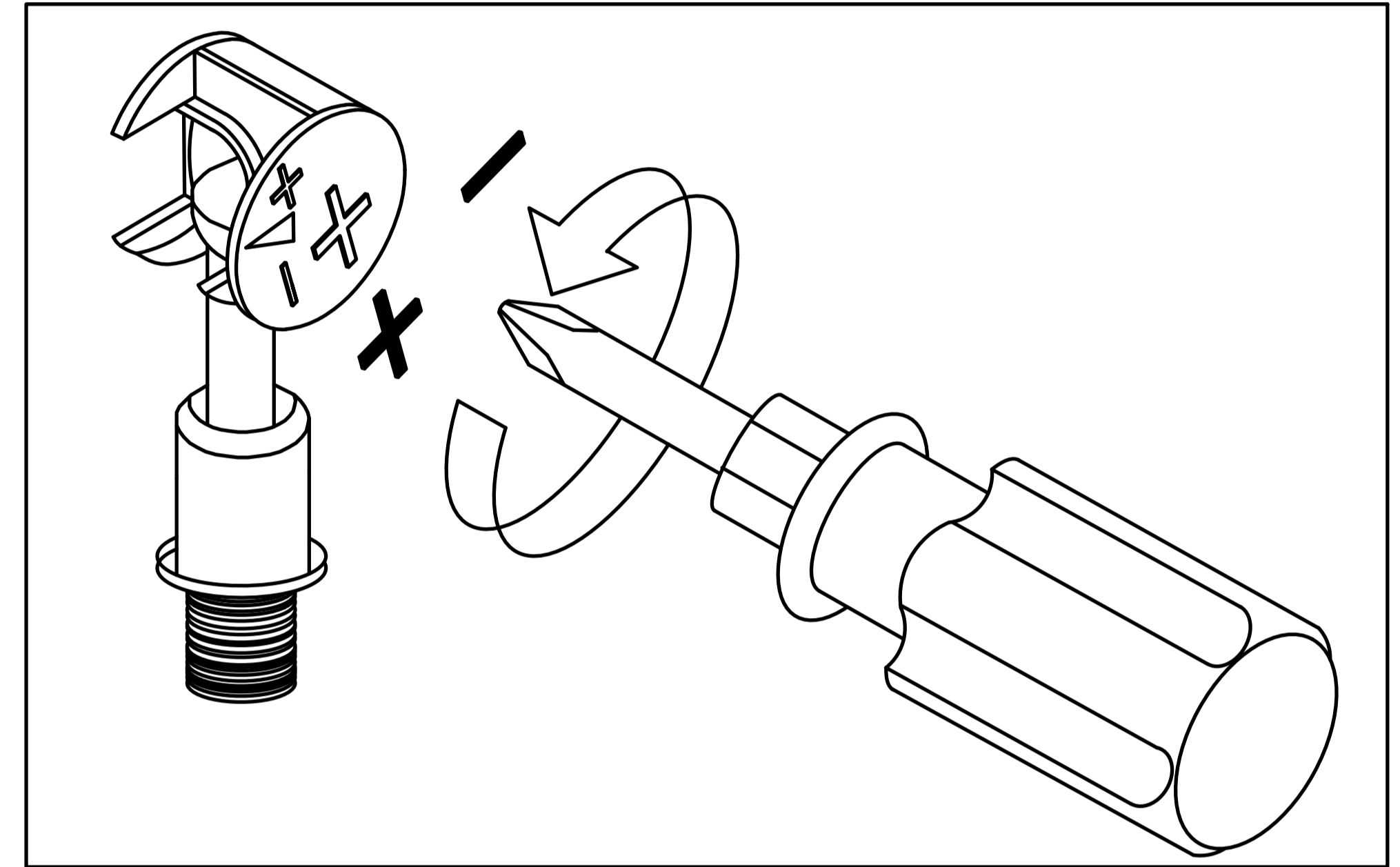
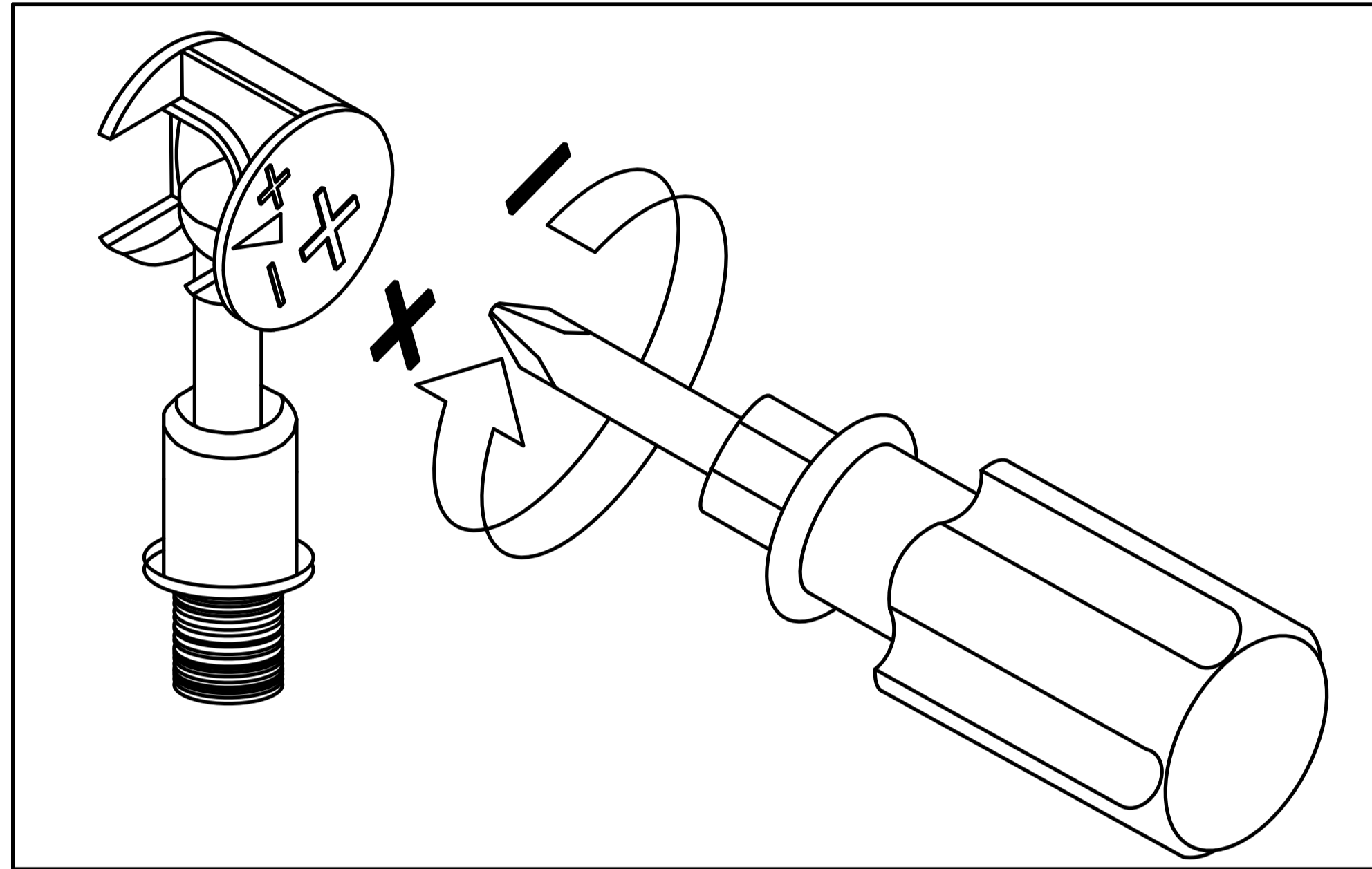
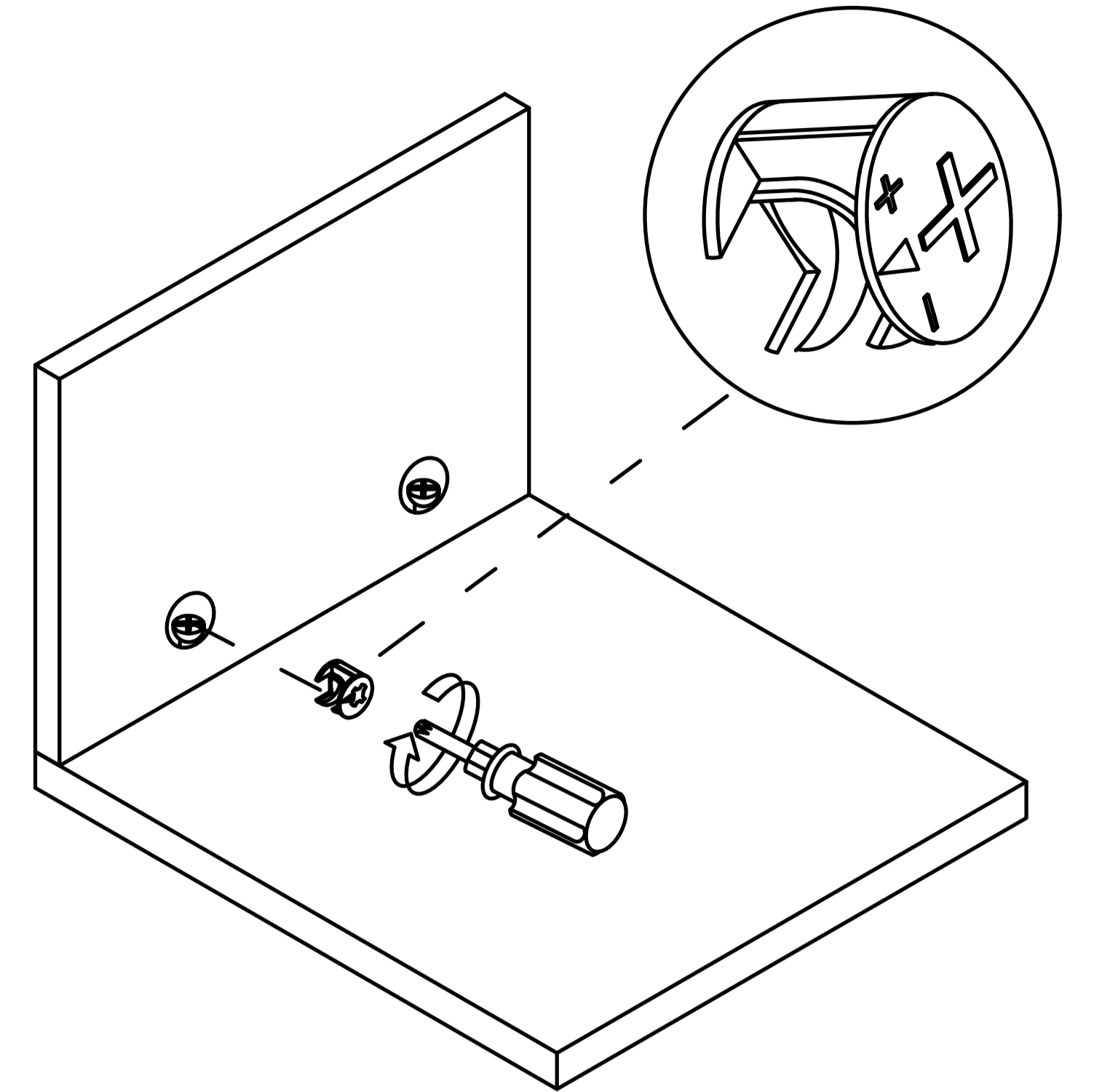
Step 1



Step 2



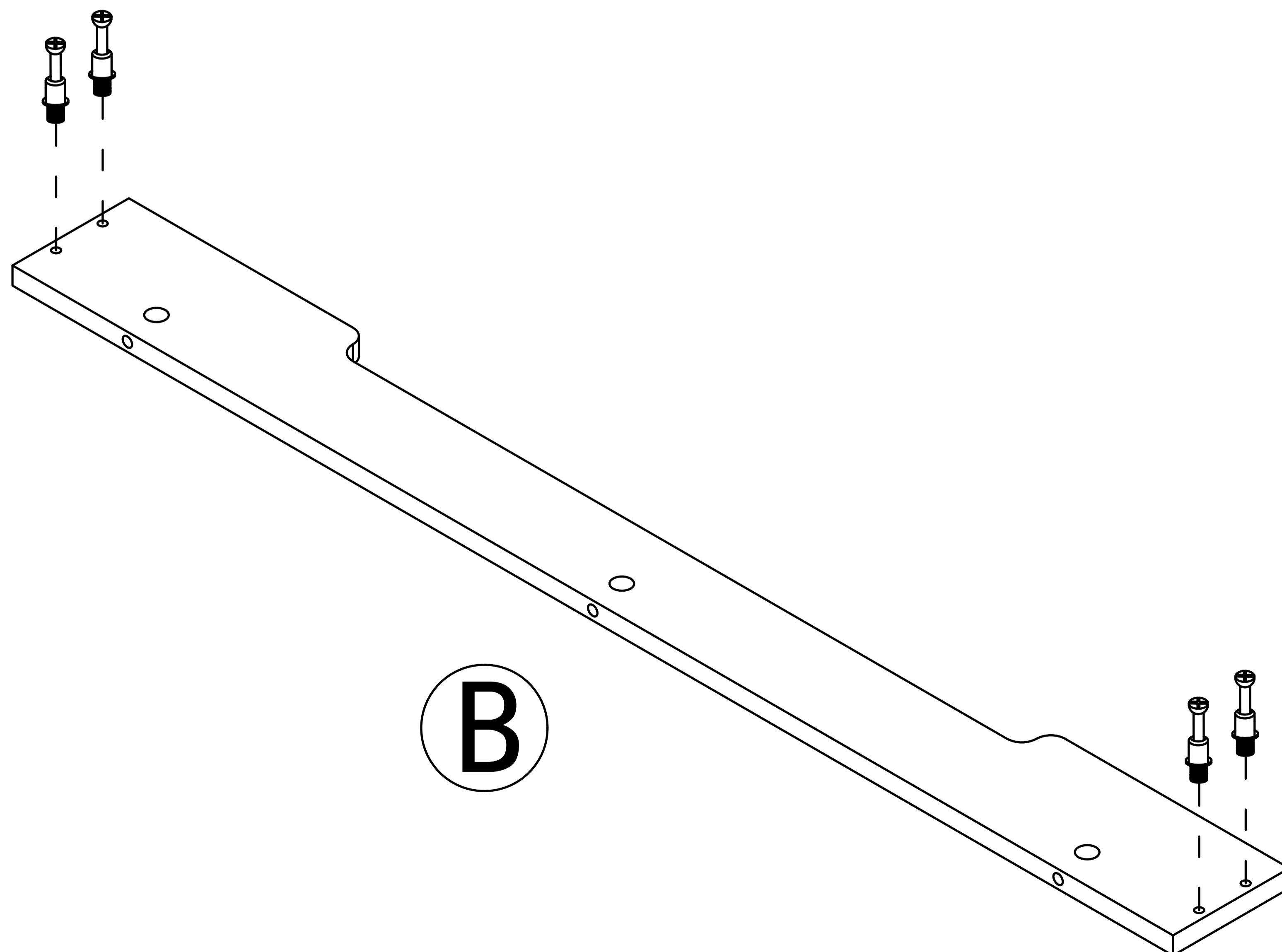
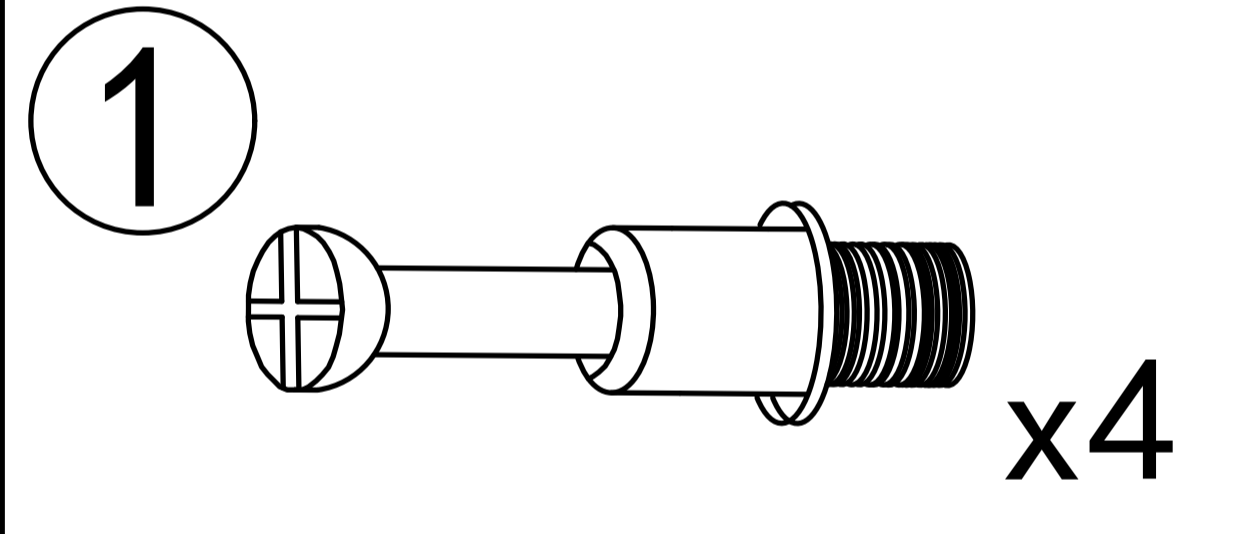
Step 3



Use a screwdriver to lock in the direction of the "+" sign

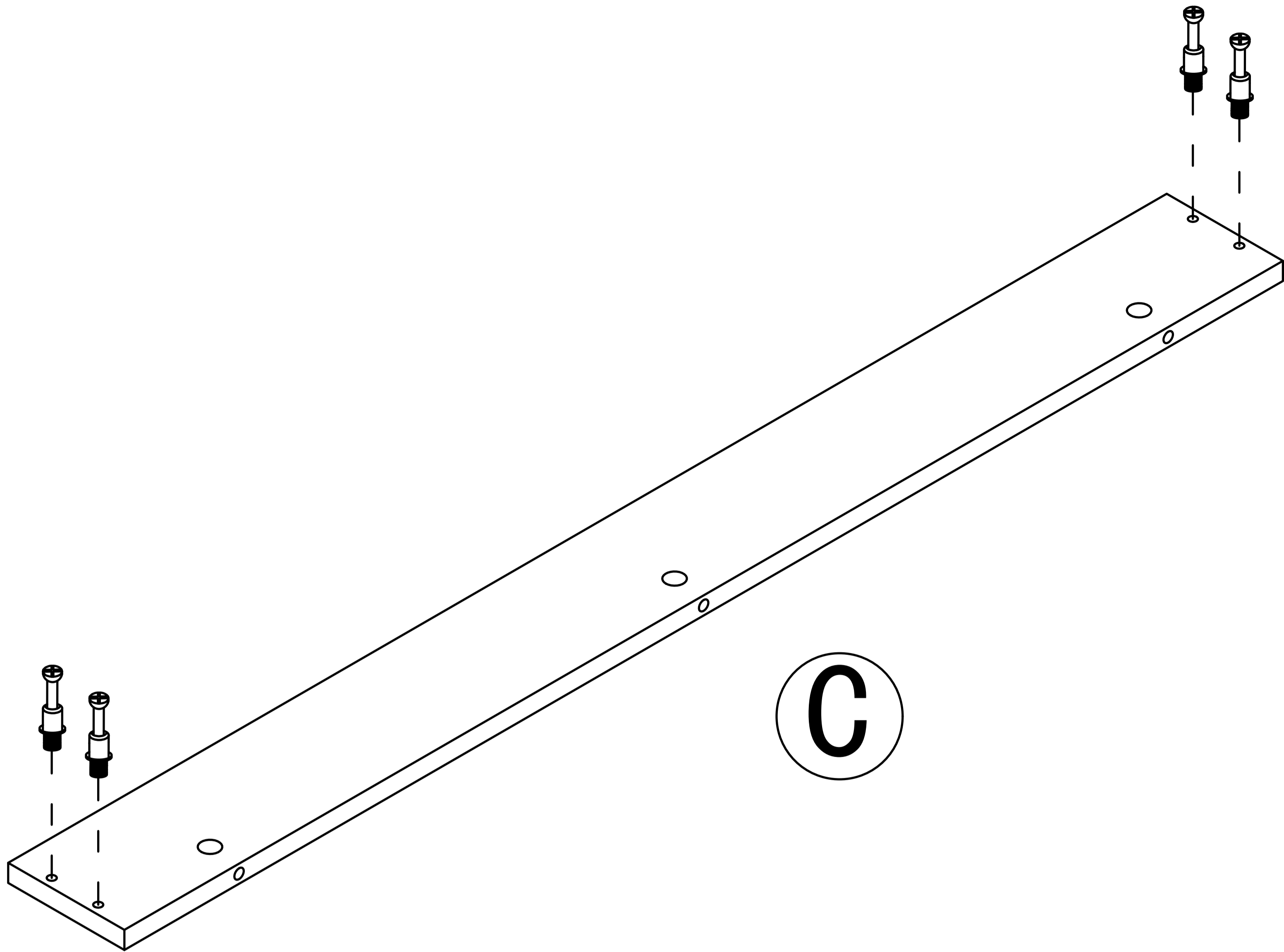
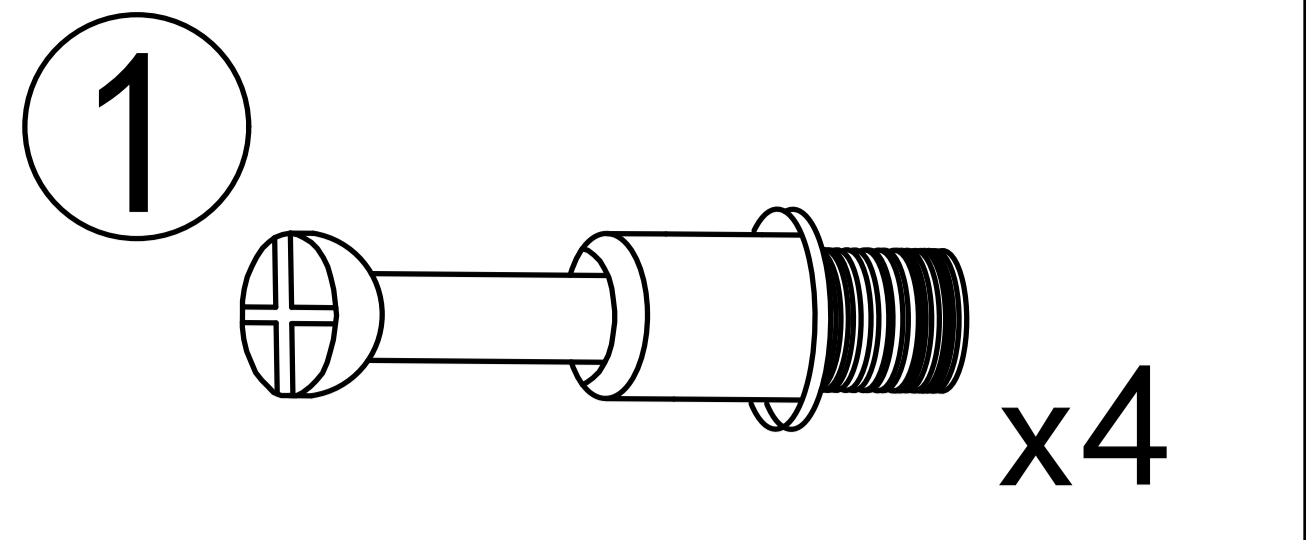
Disassemble along the direction of "-" sign

Step 1

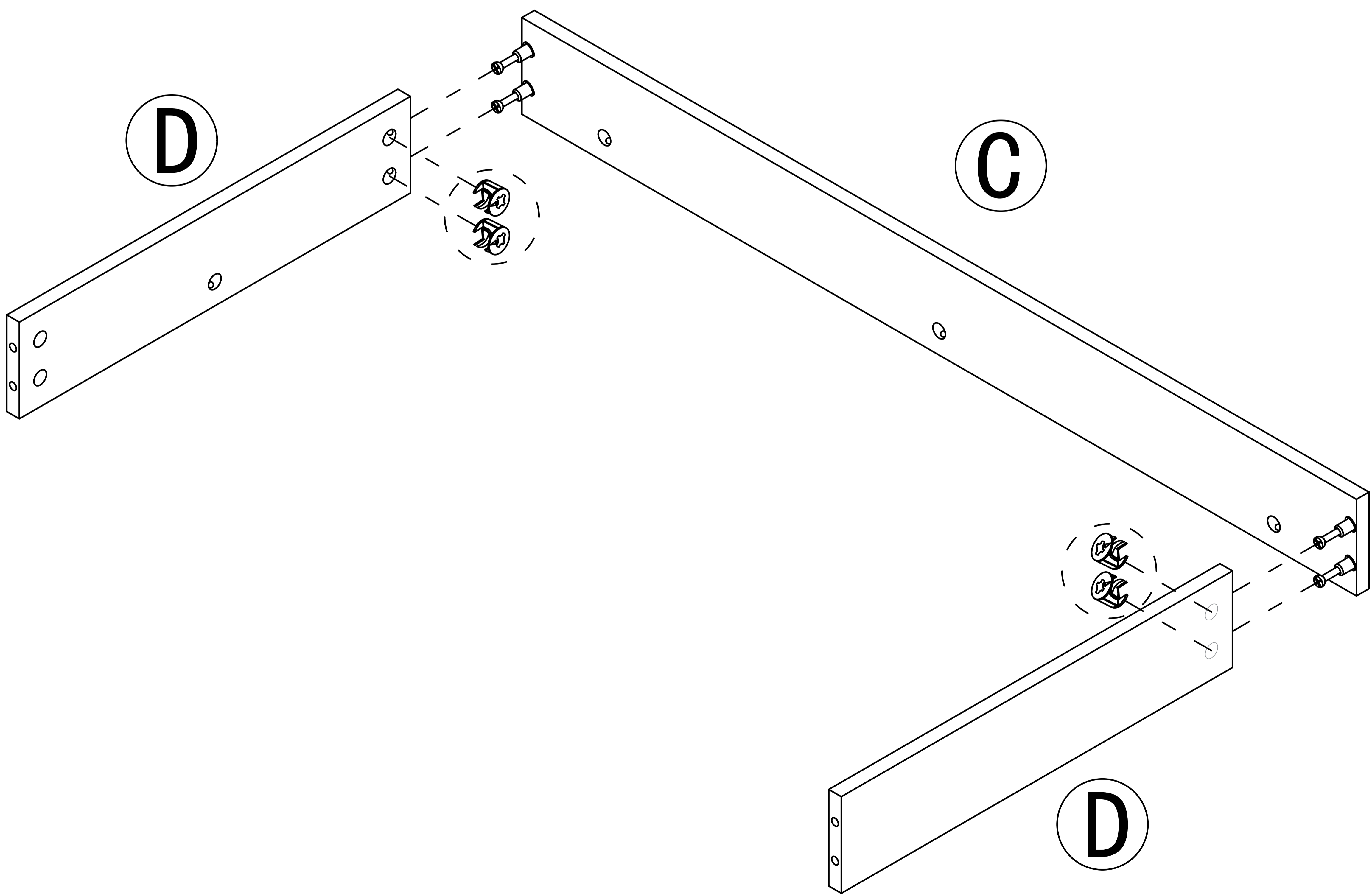
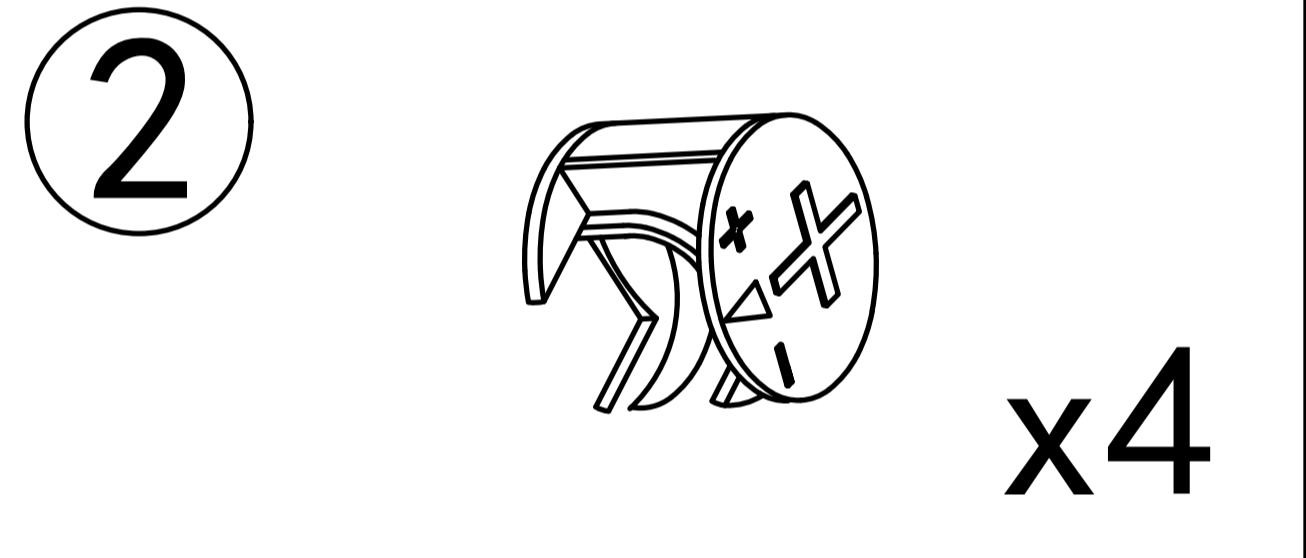


4

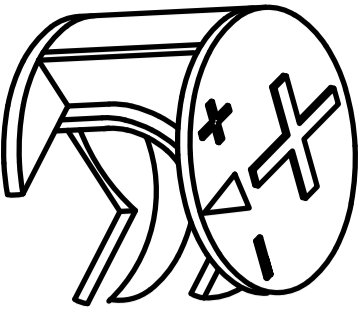
Step 2

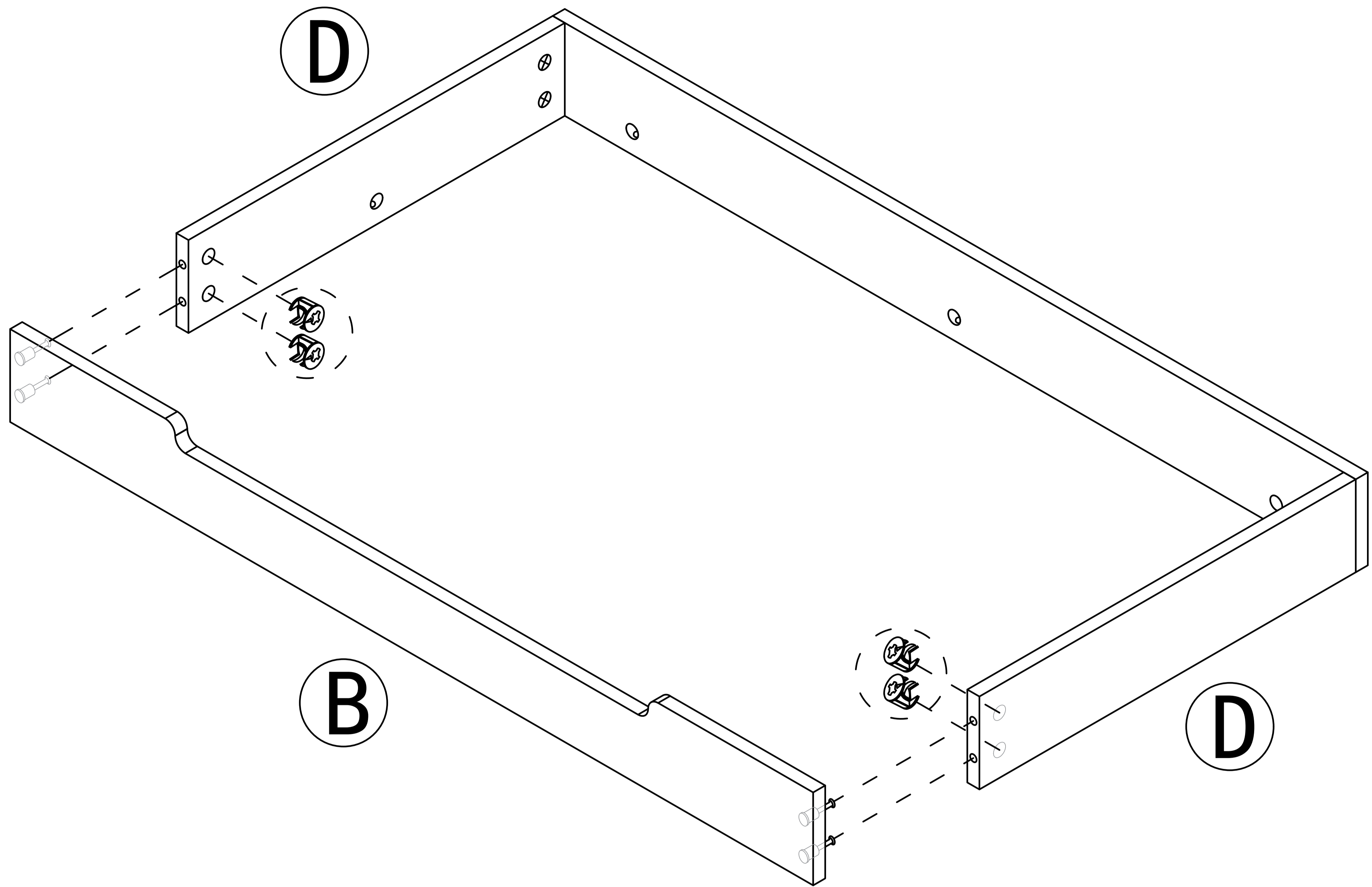


Step 3

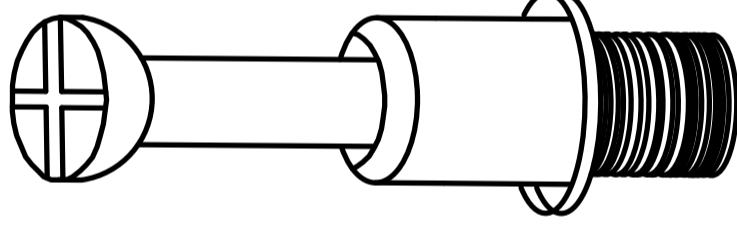


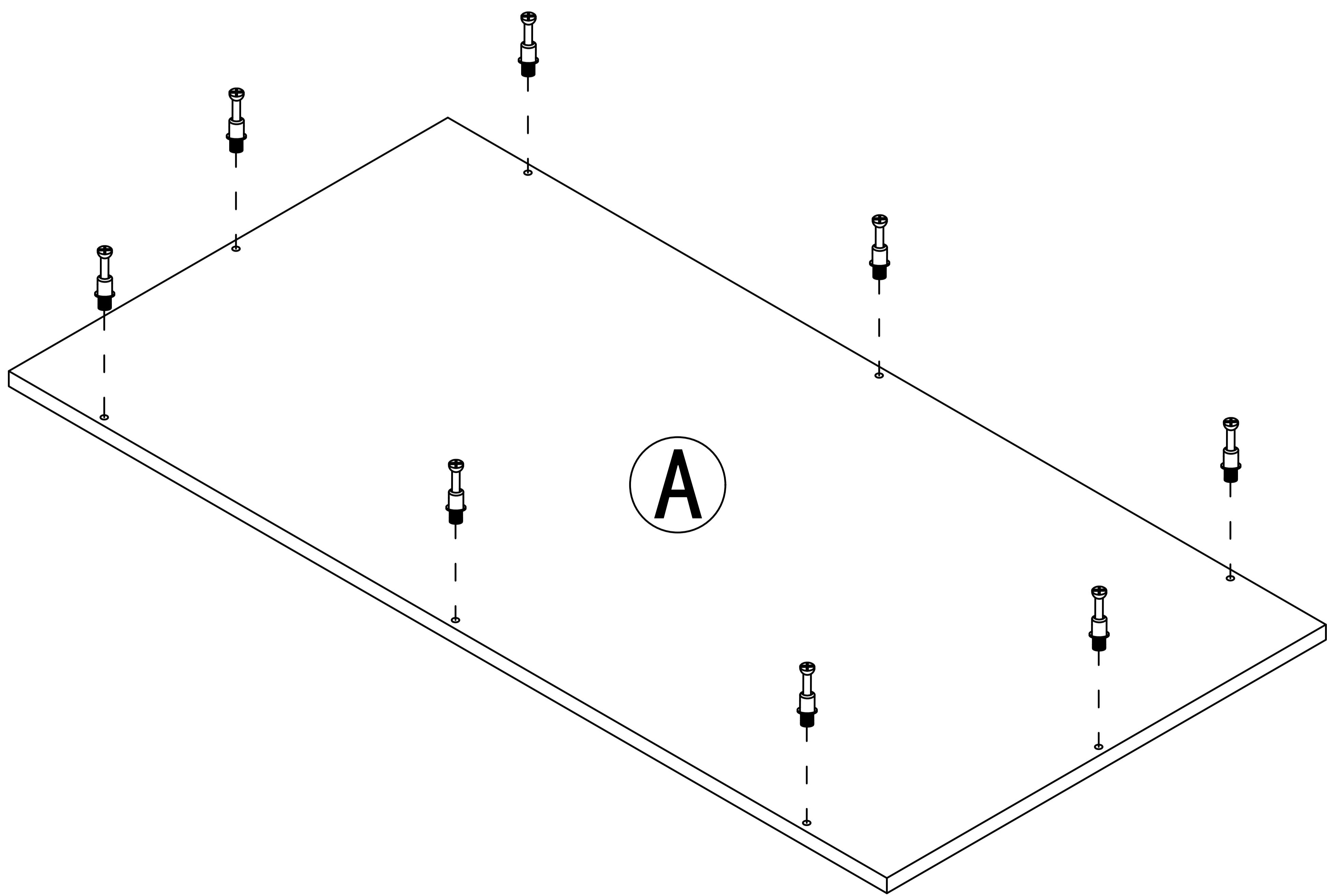
Step 4

2  x4

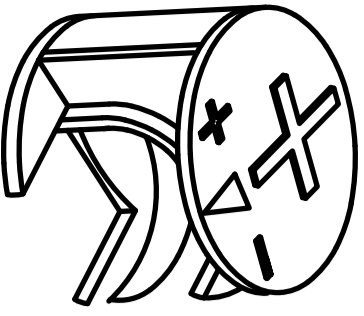


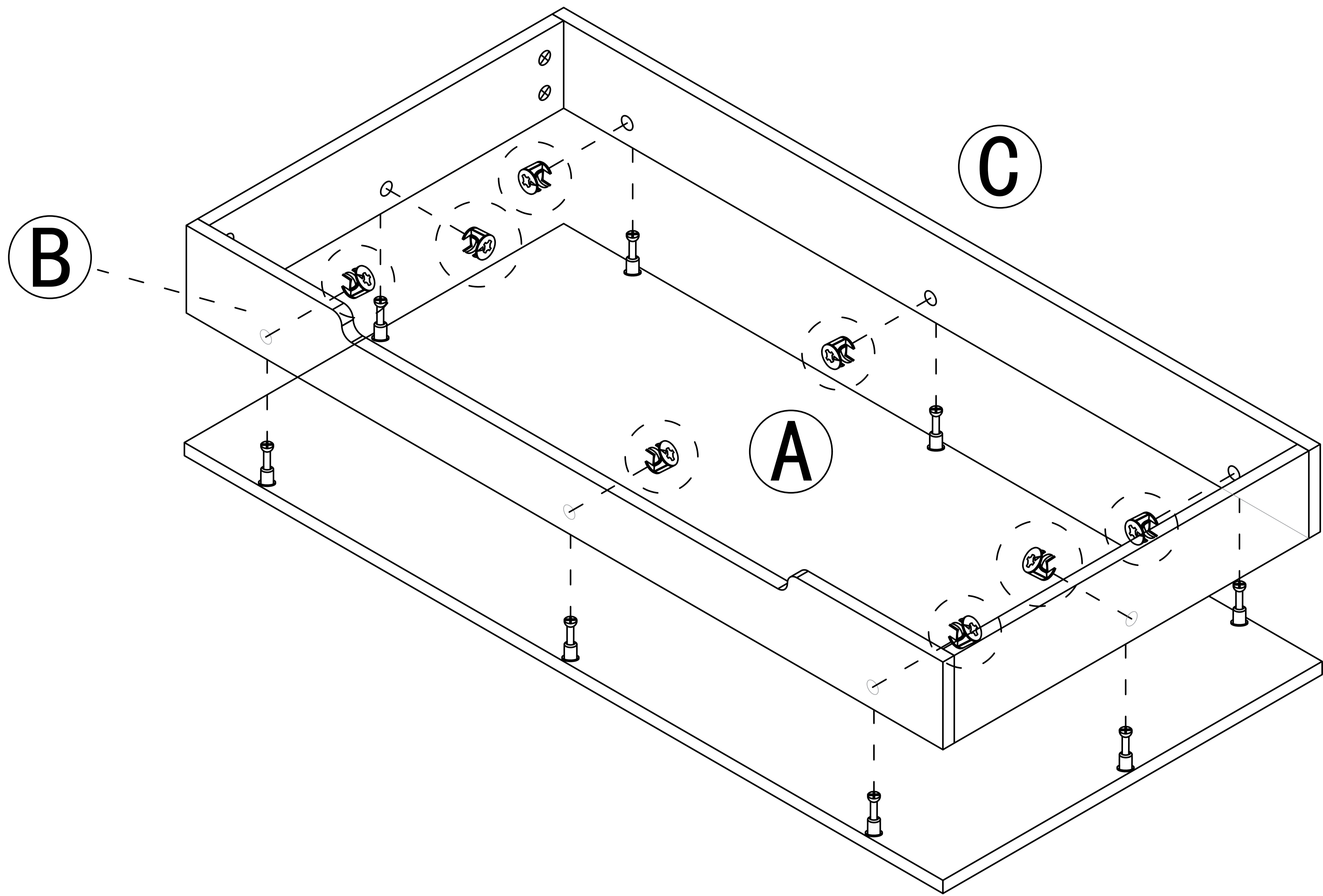
Step 5

1  x8

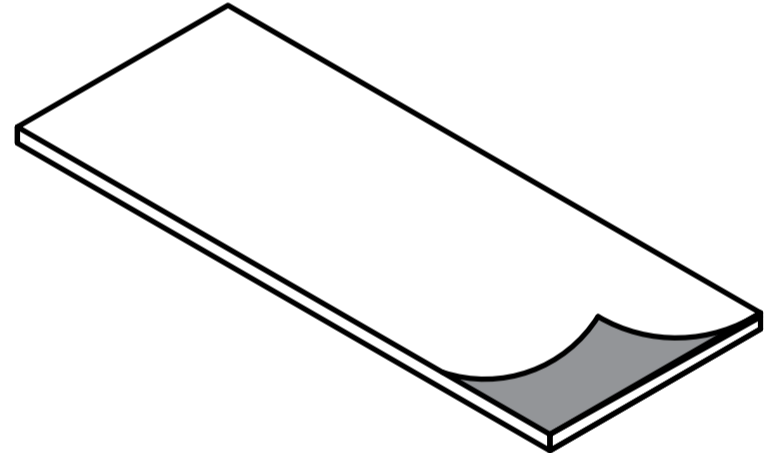


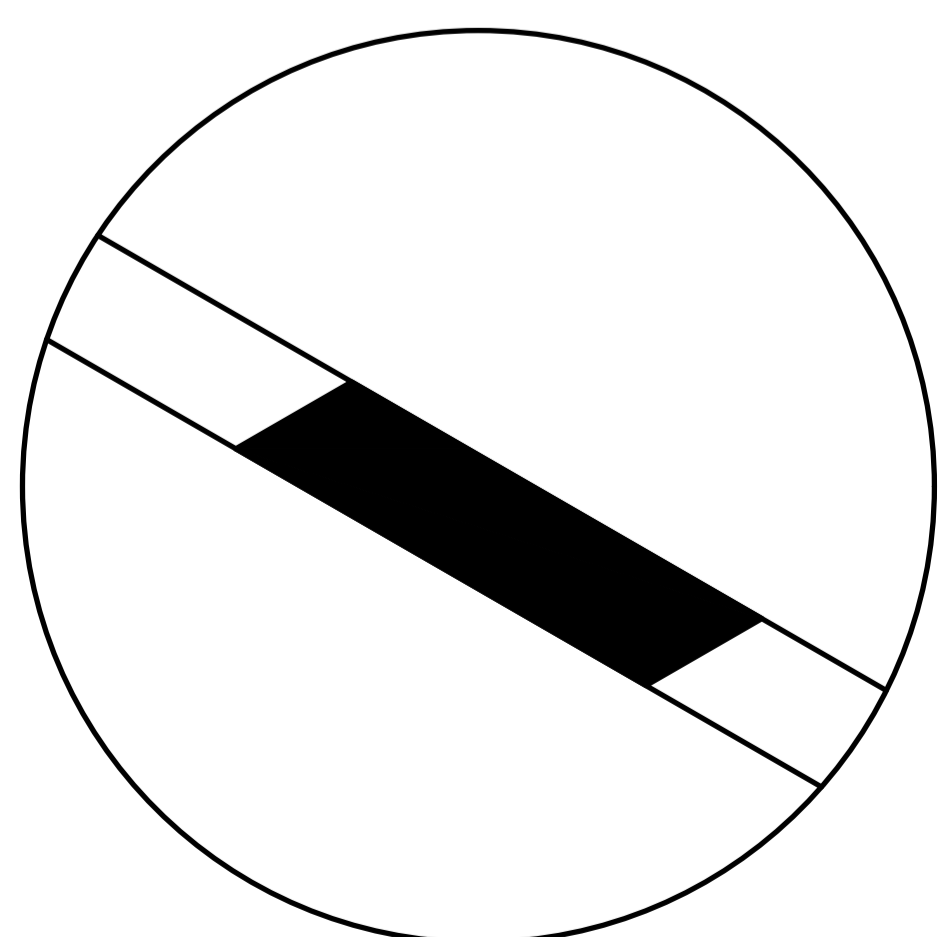
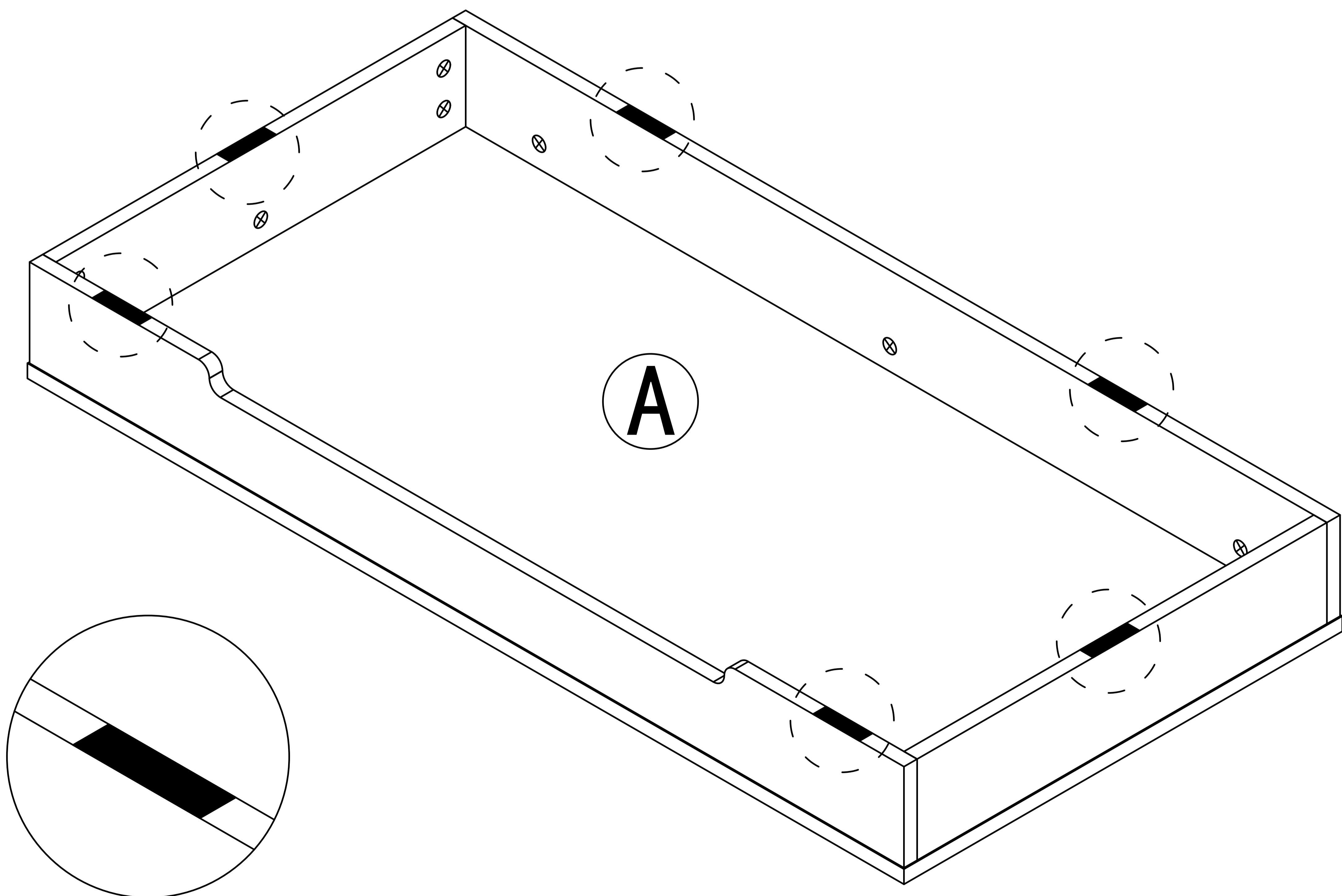
Step 6

2  x8

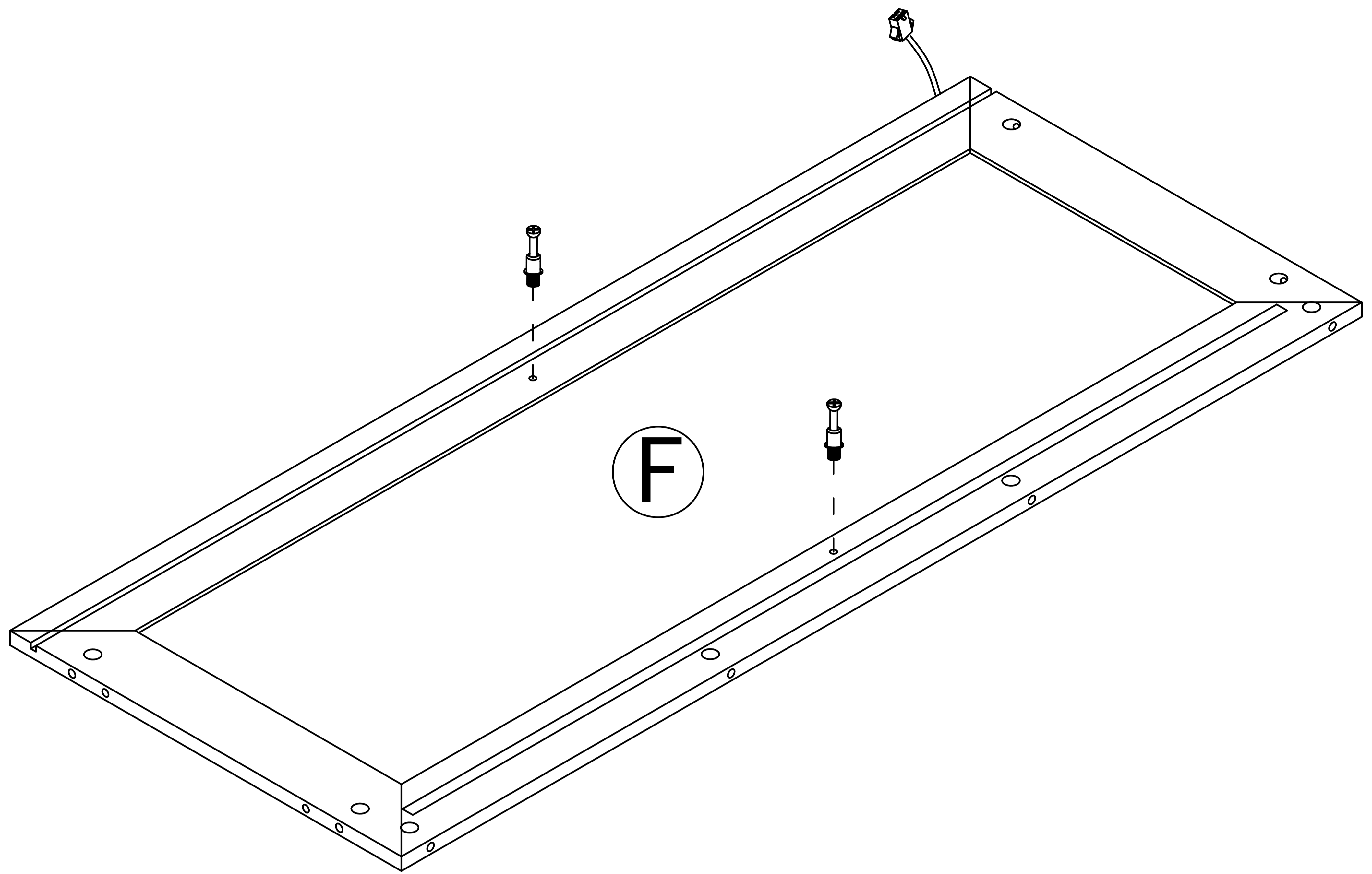
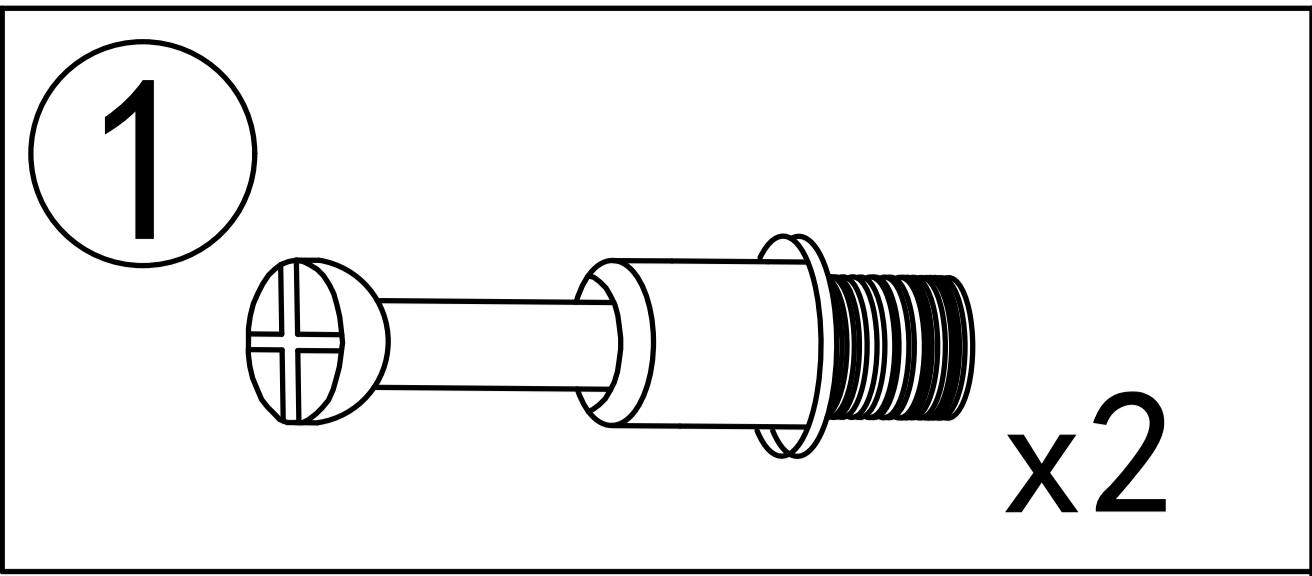


Step 7

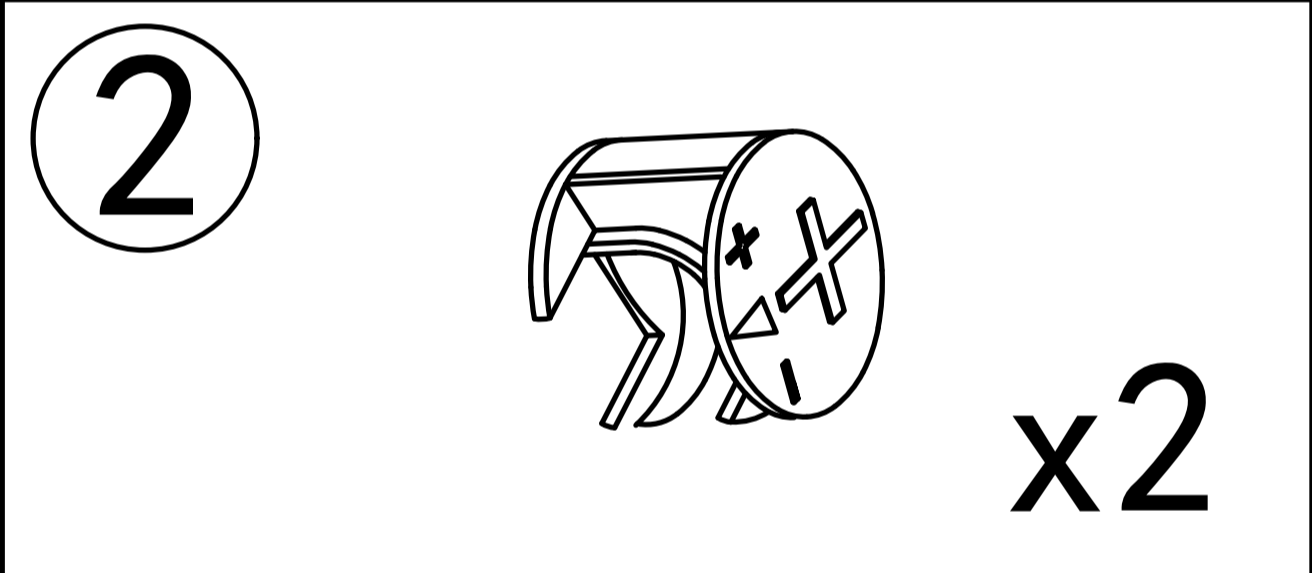
4  x6
Tear off release paper and stick the black foot pad on the board



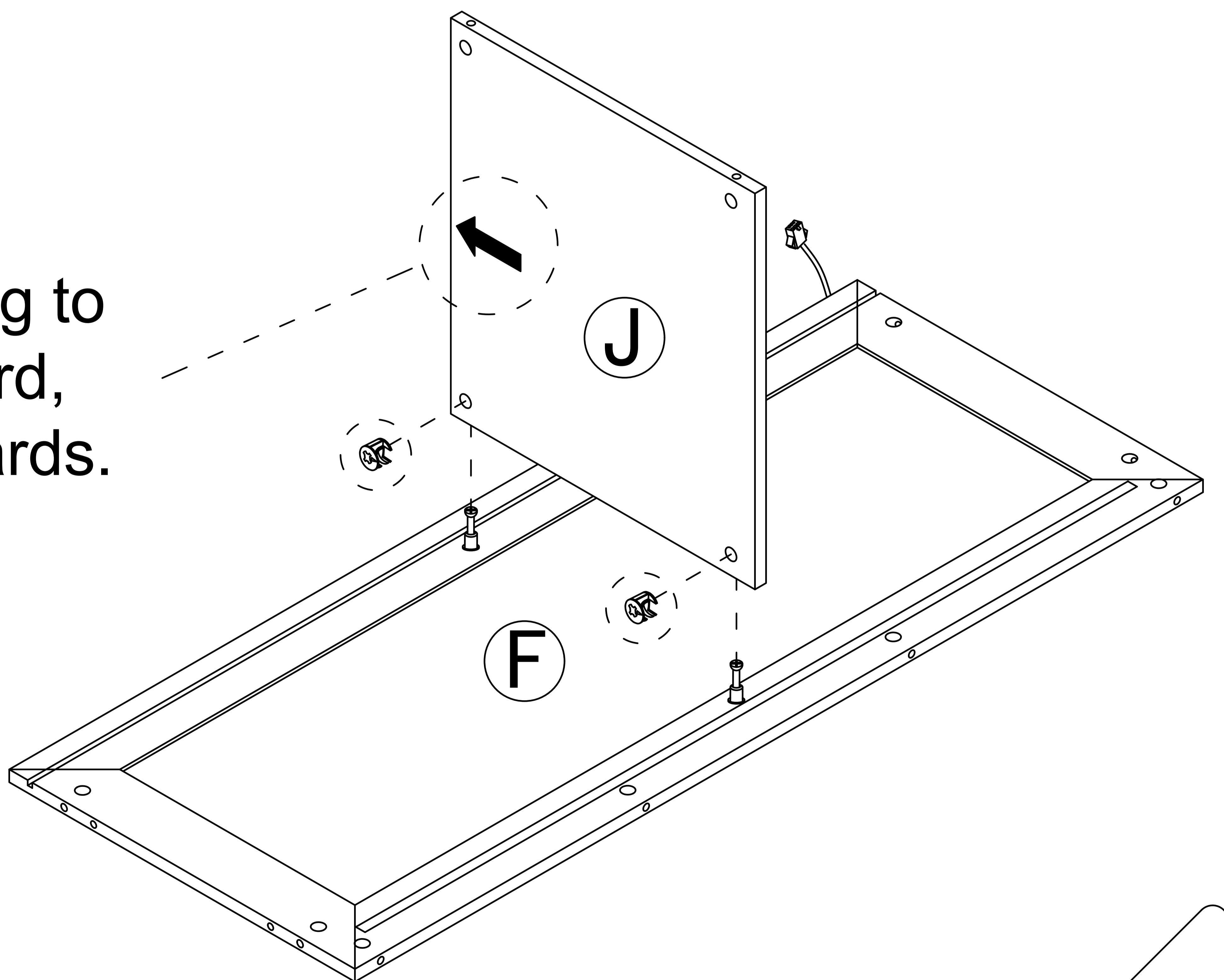
Step 8



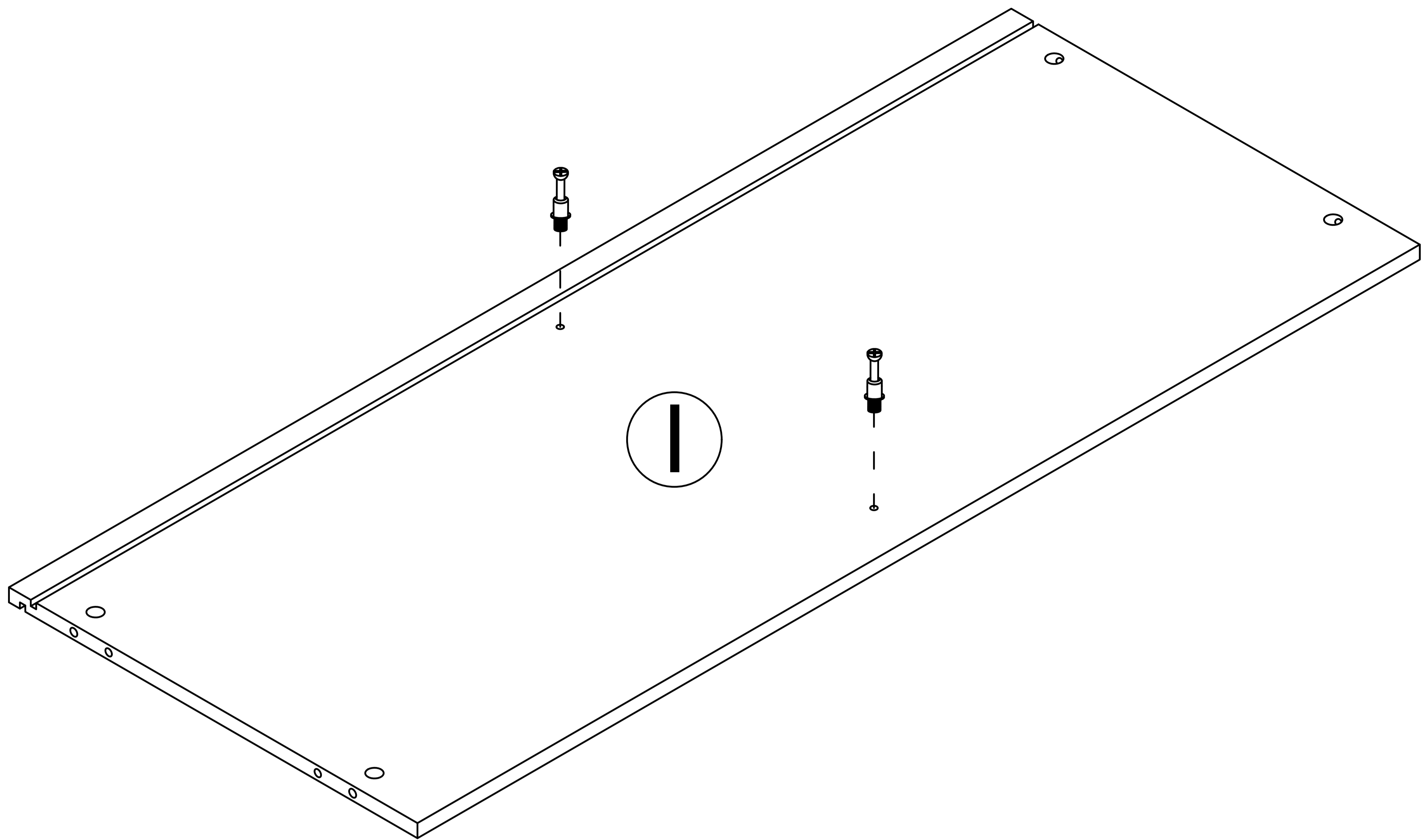
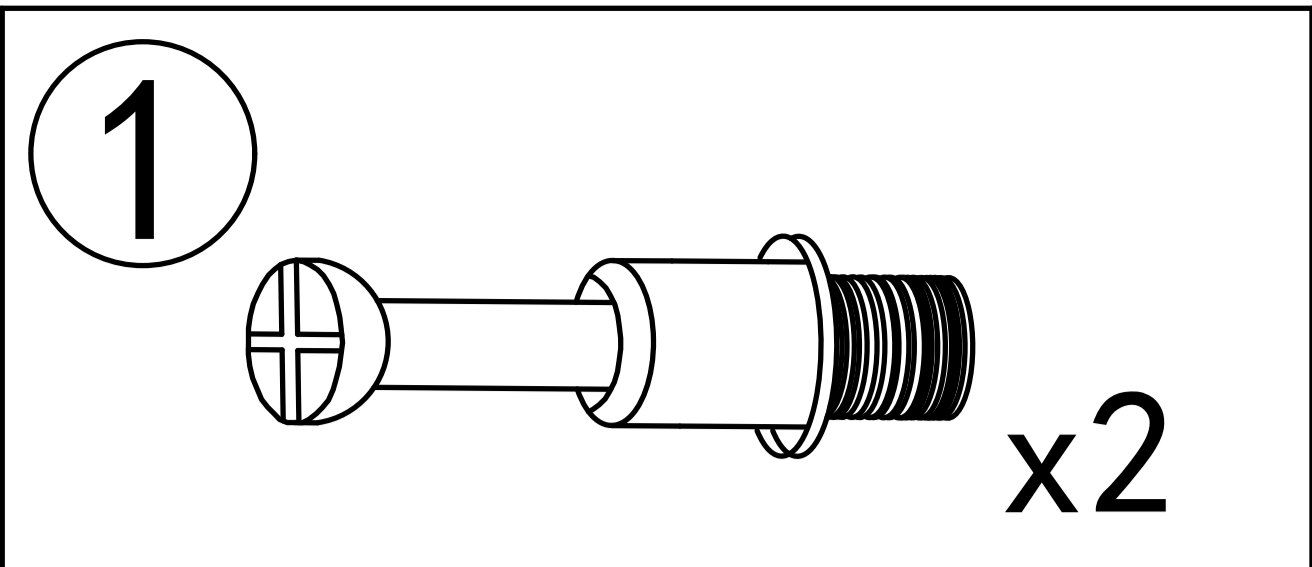
Step 9



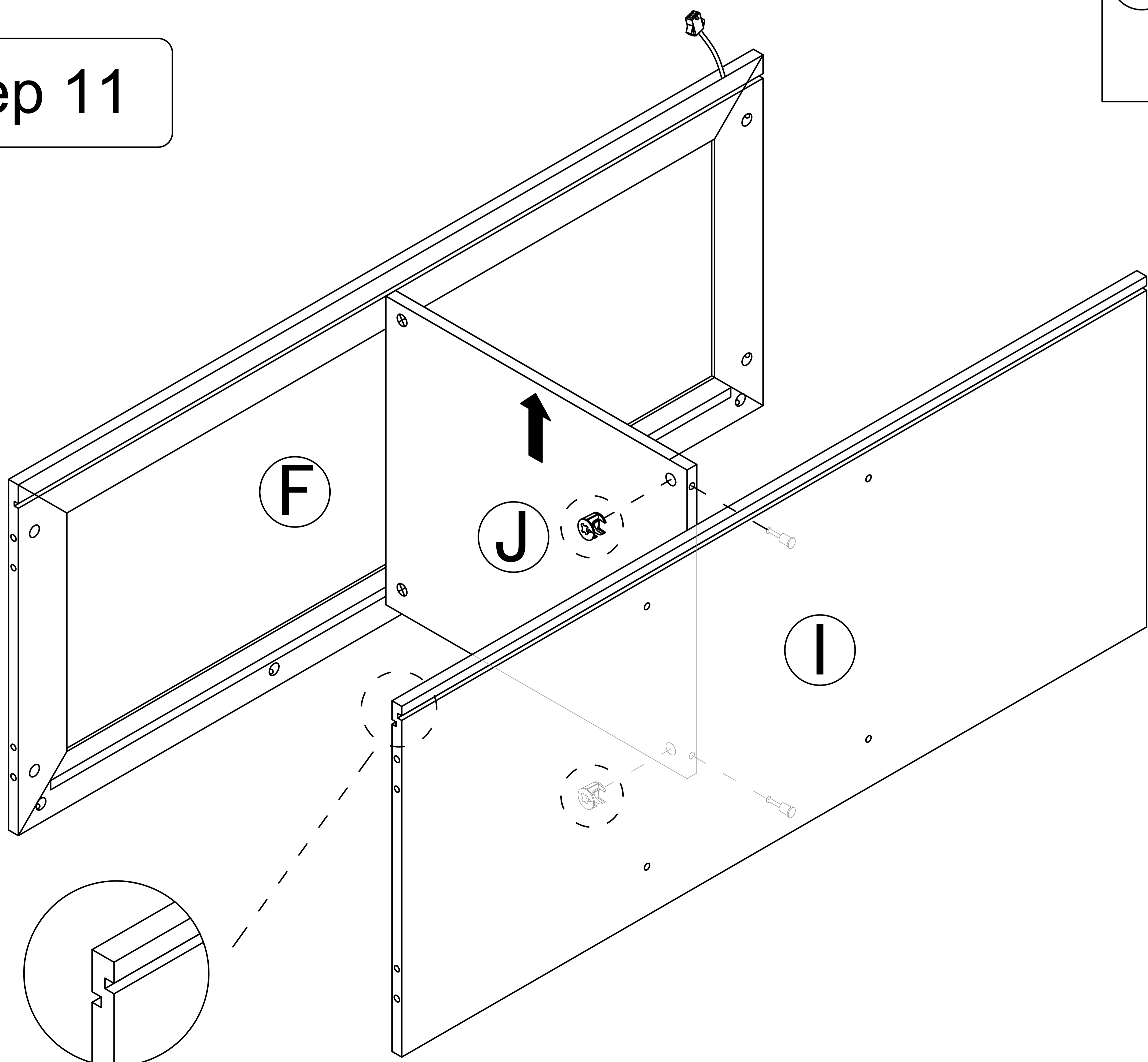
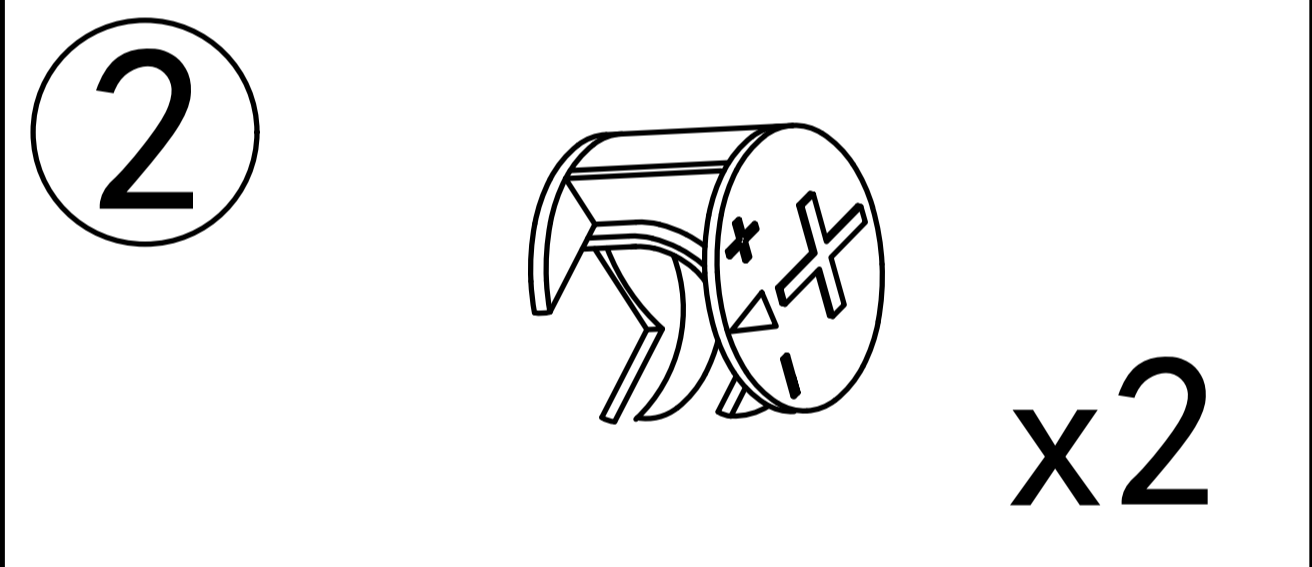
Note: Install according to the arrow on the board, don't install it backwards.



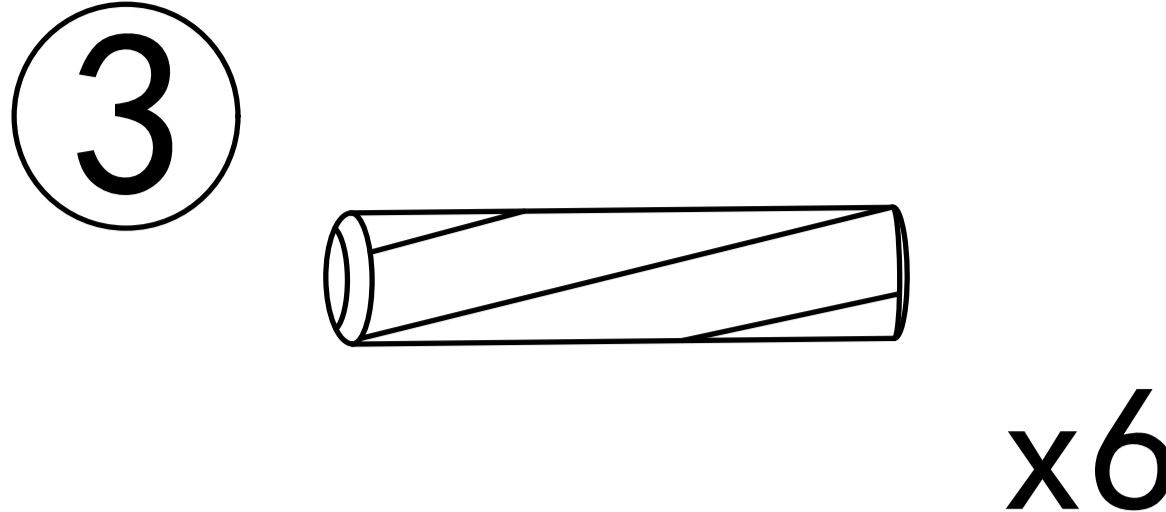
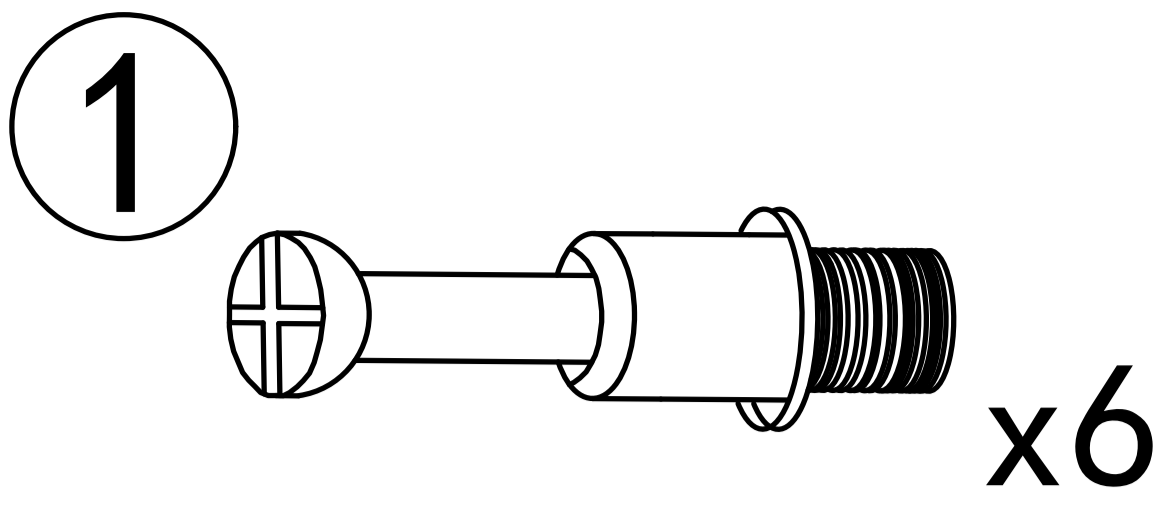
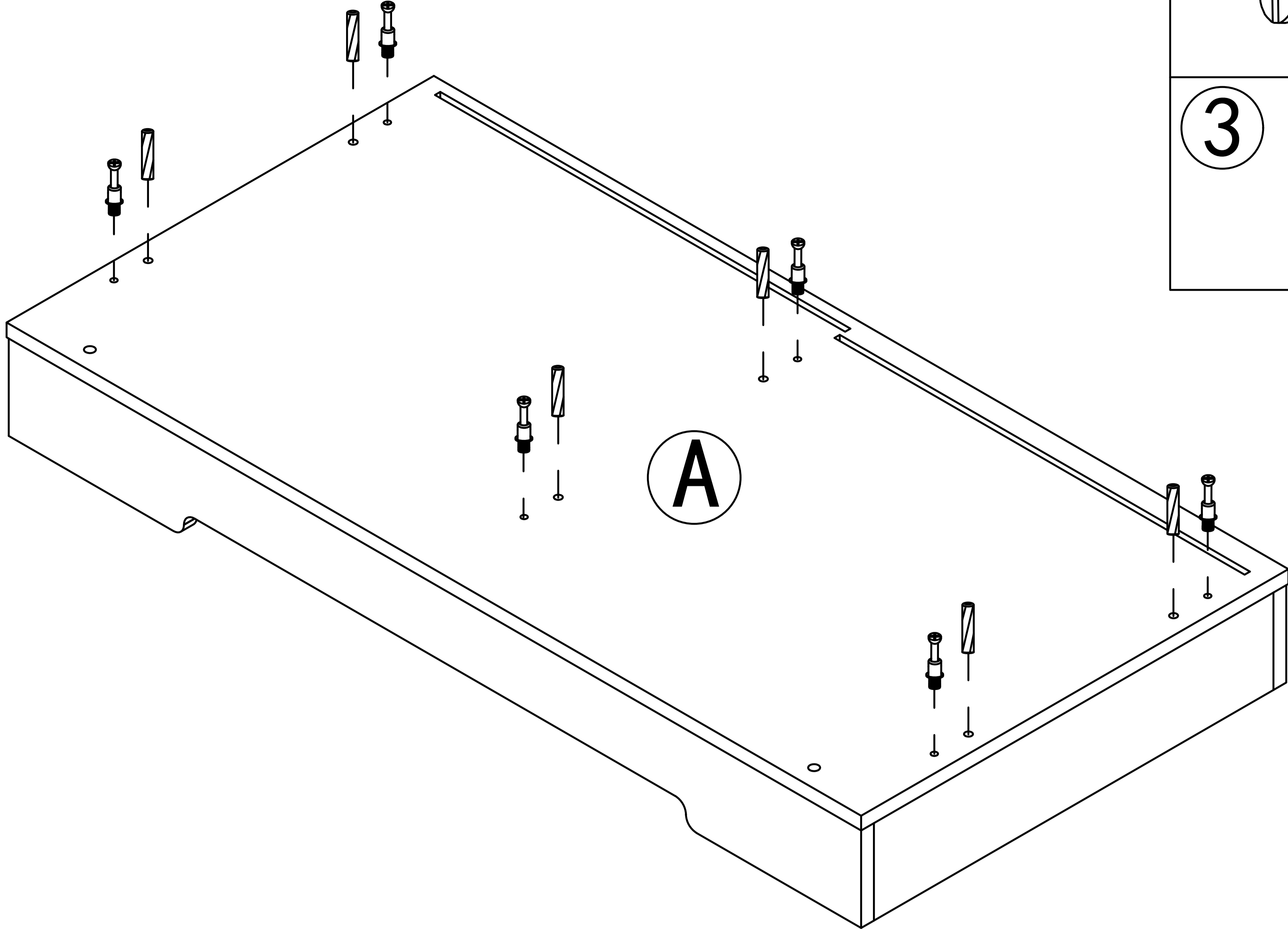
Step 10



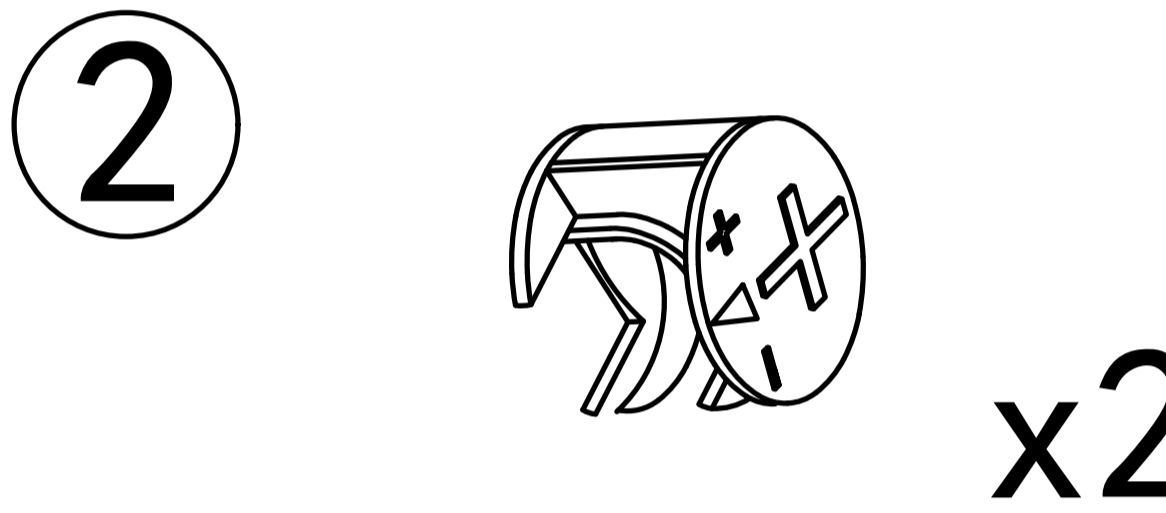
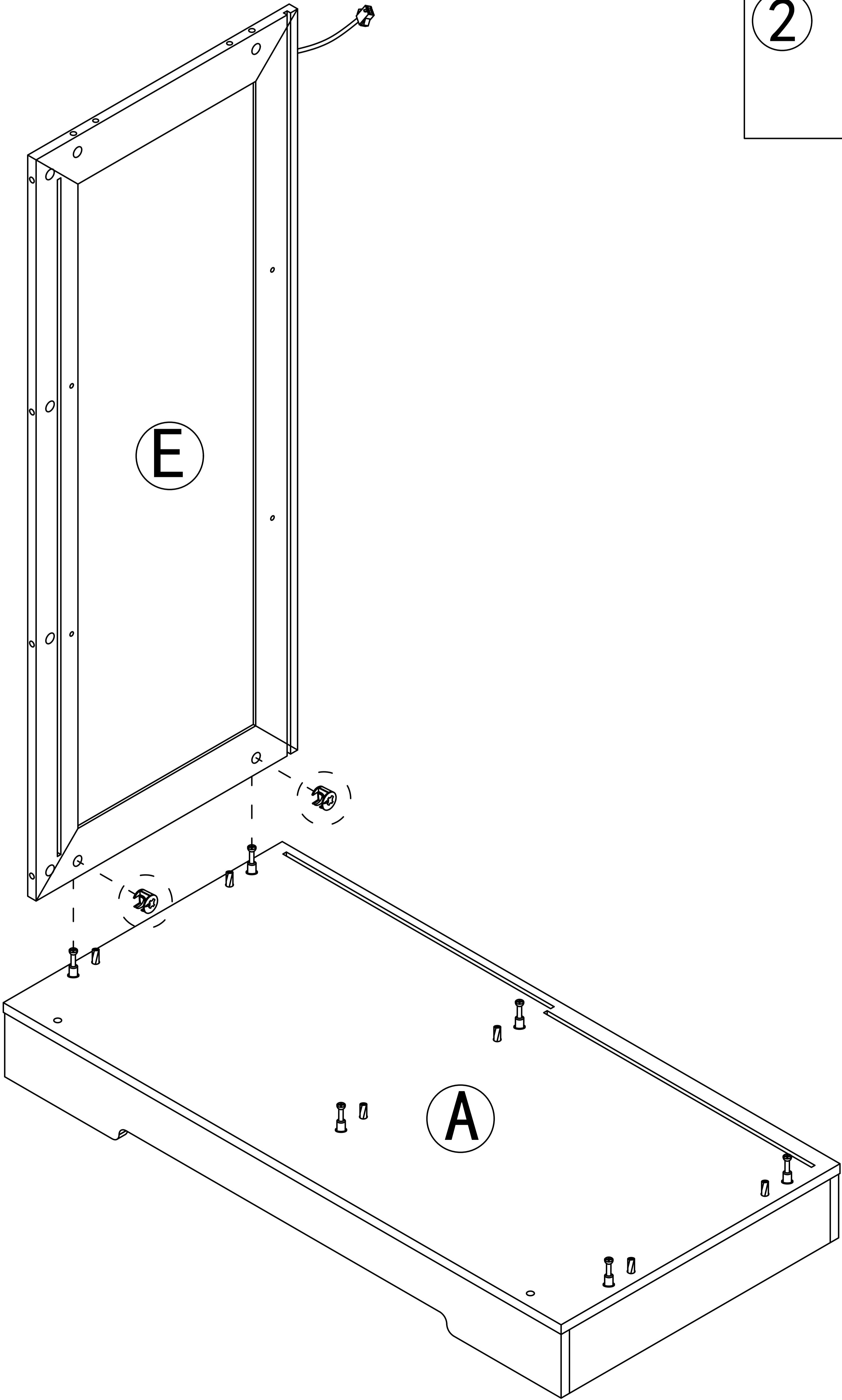
Step 11



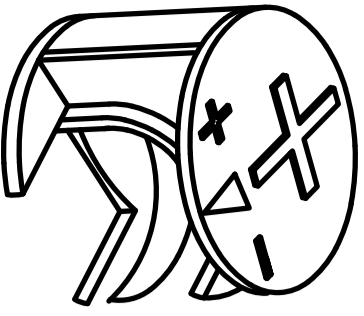
Step 12

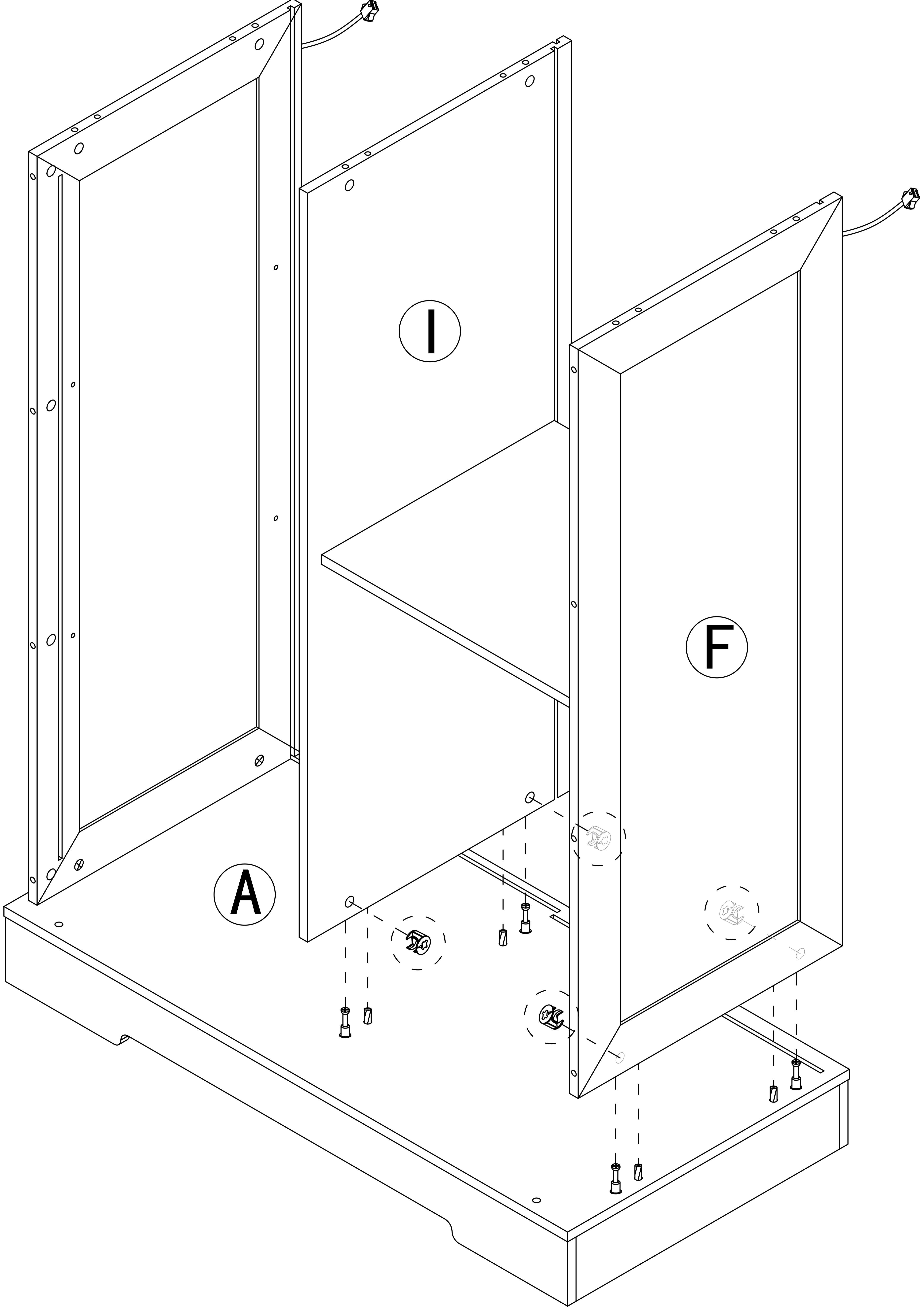


Step 13

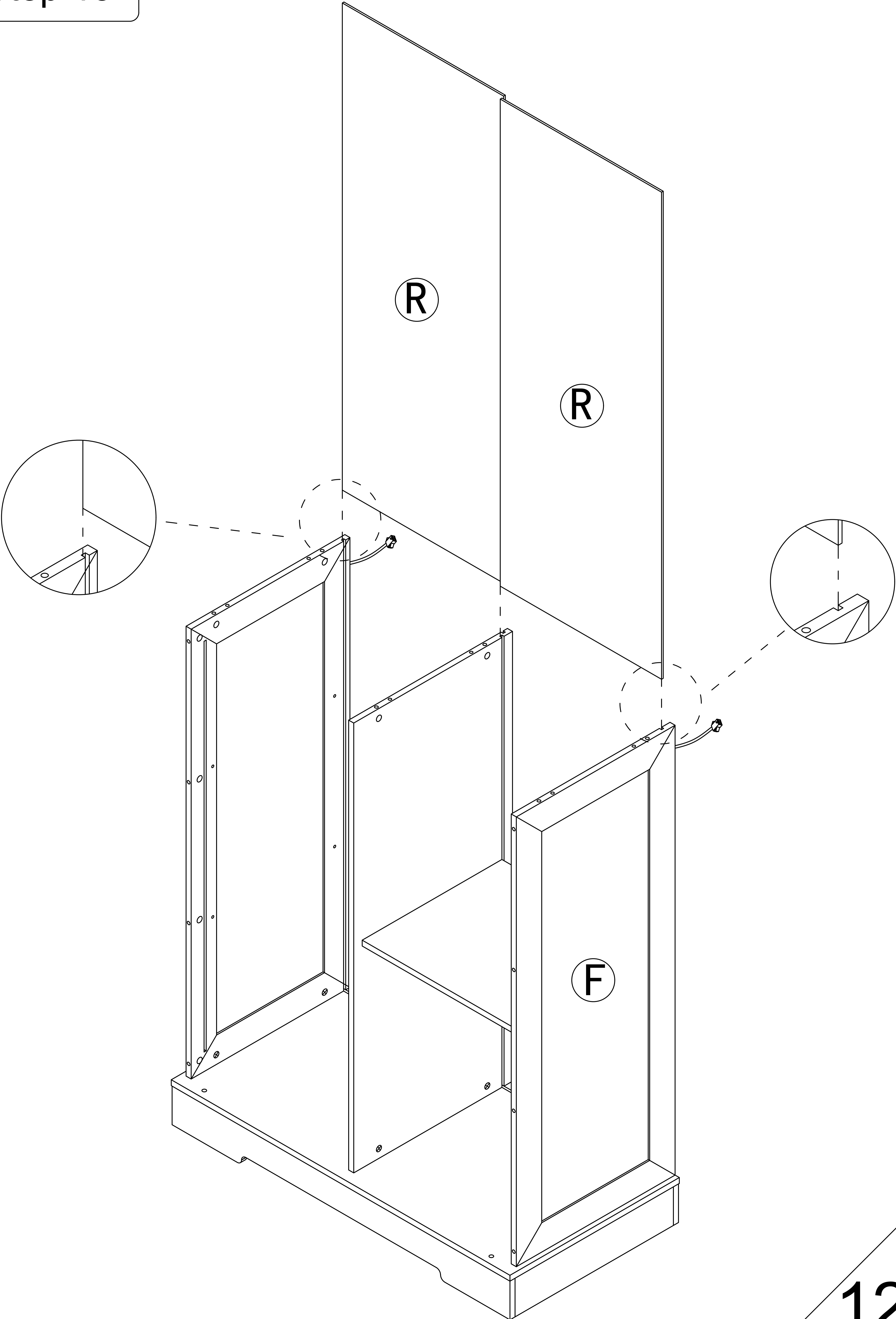


Step 14

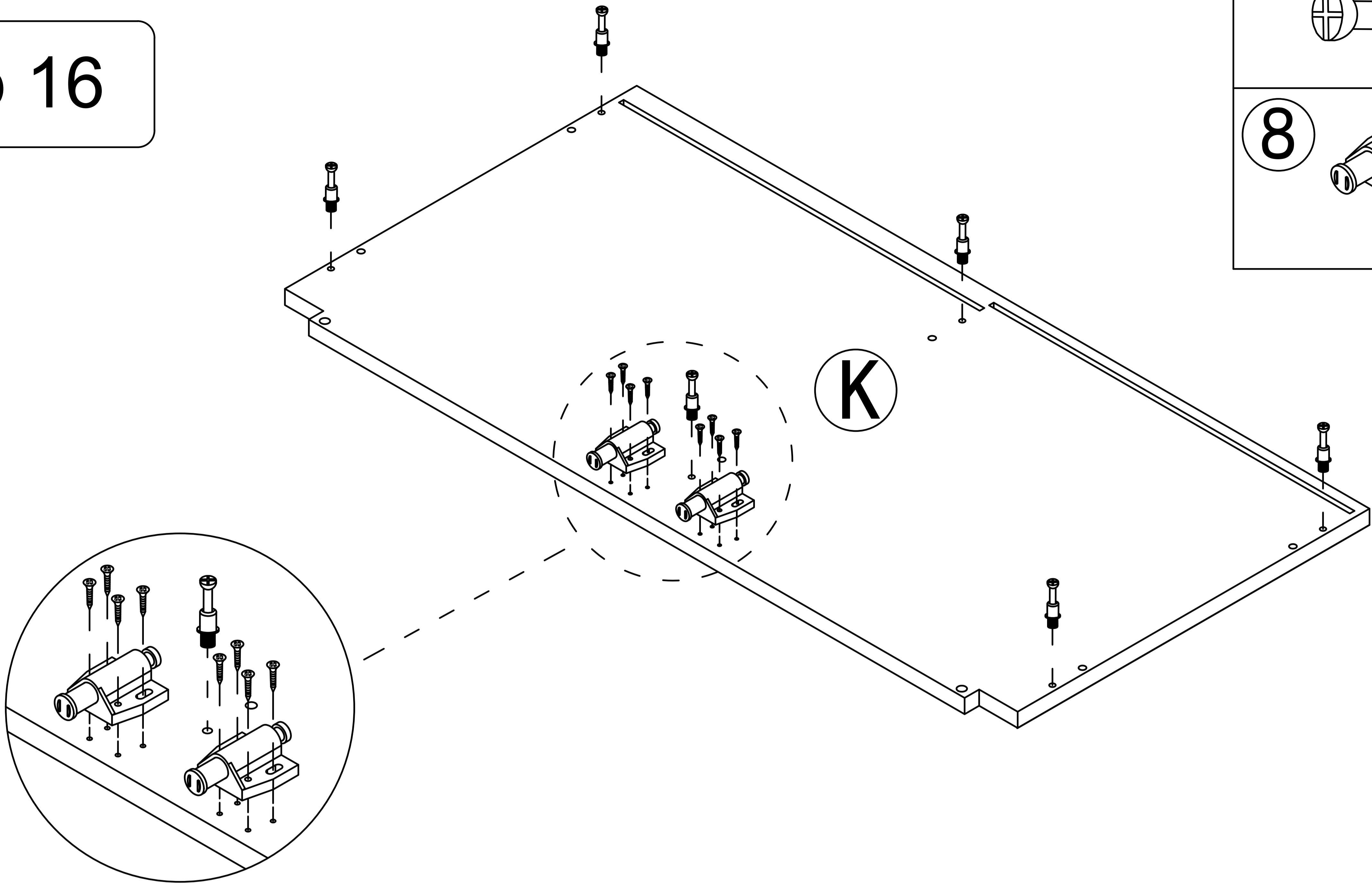
2  x4



Step 15



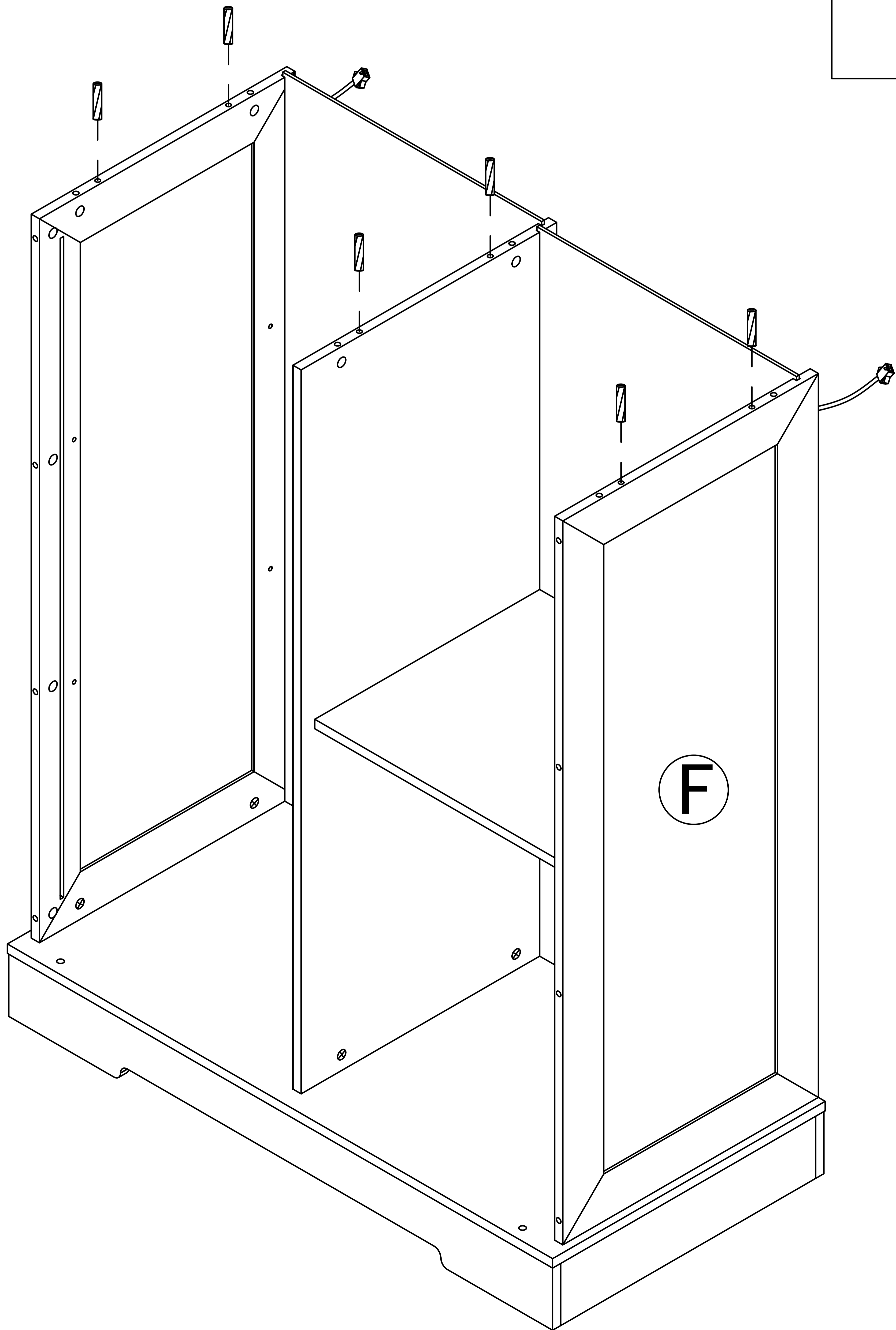
Step 16



1 x6

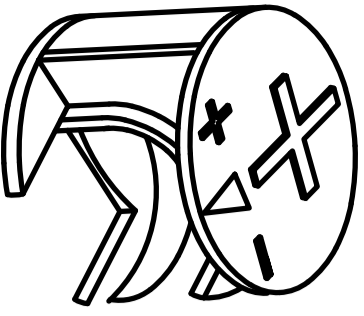
8 x2 x8

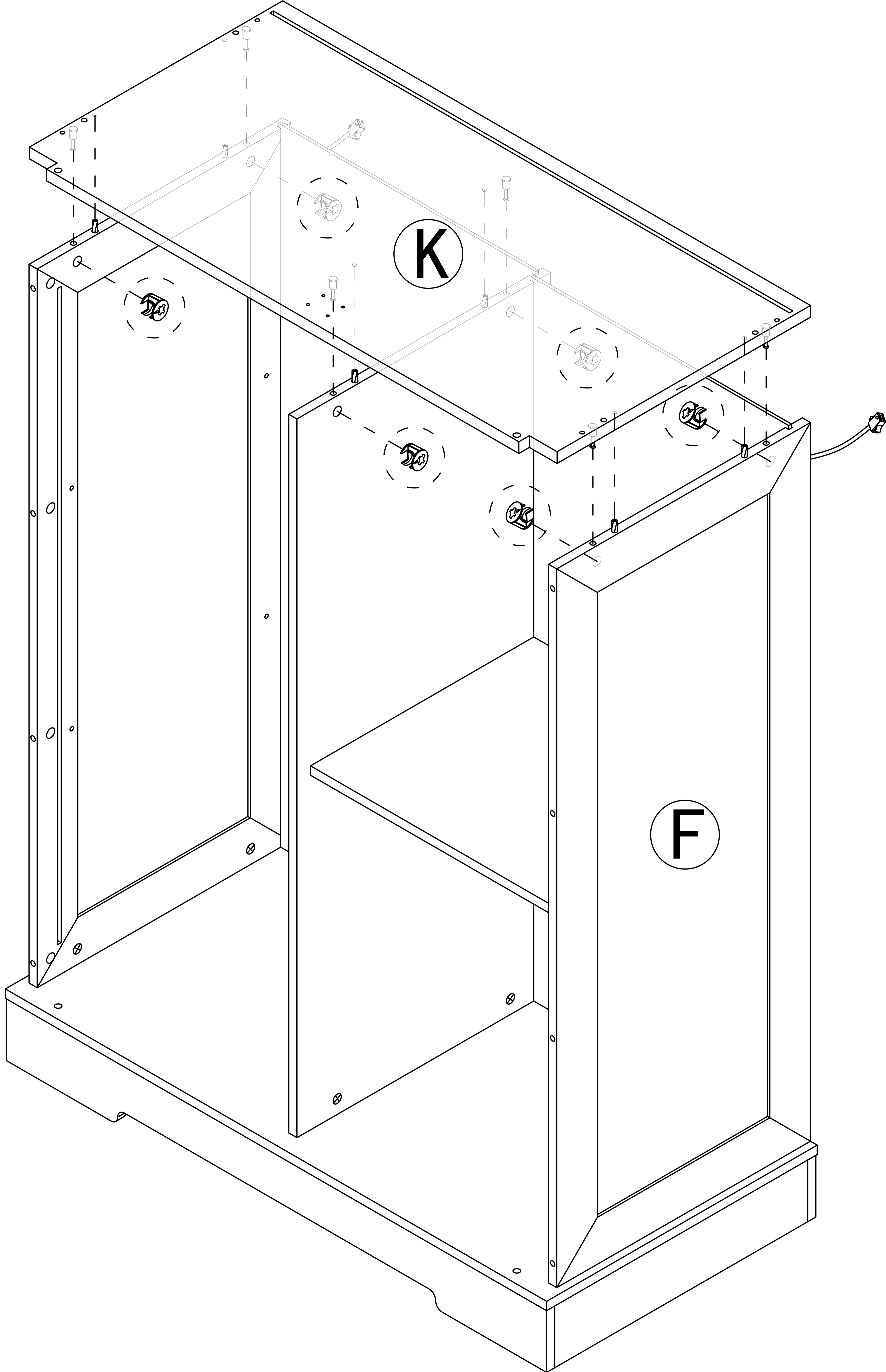
Step 17



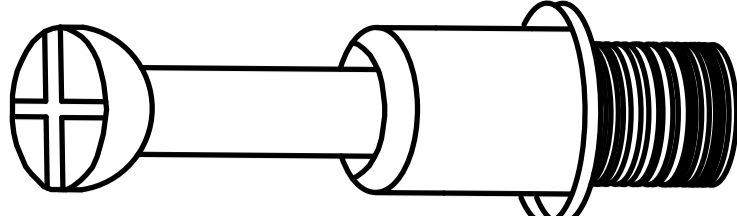
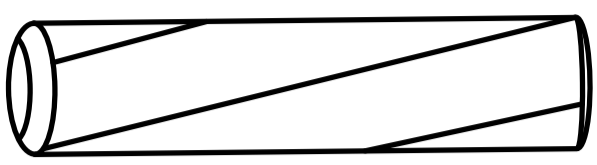
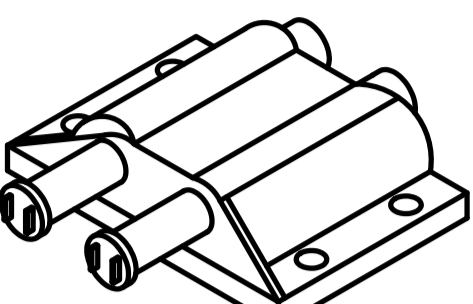

3 x6

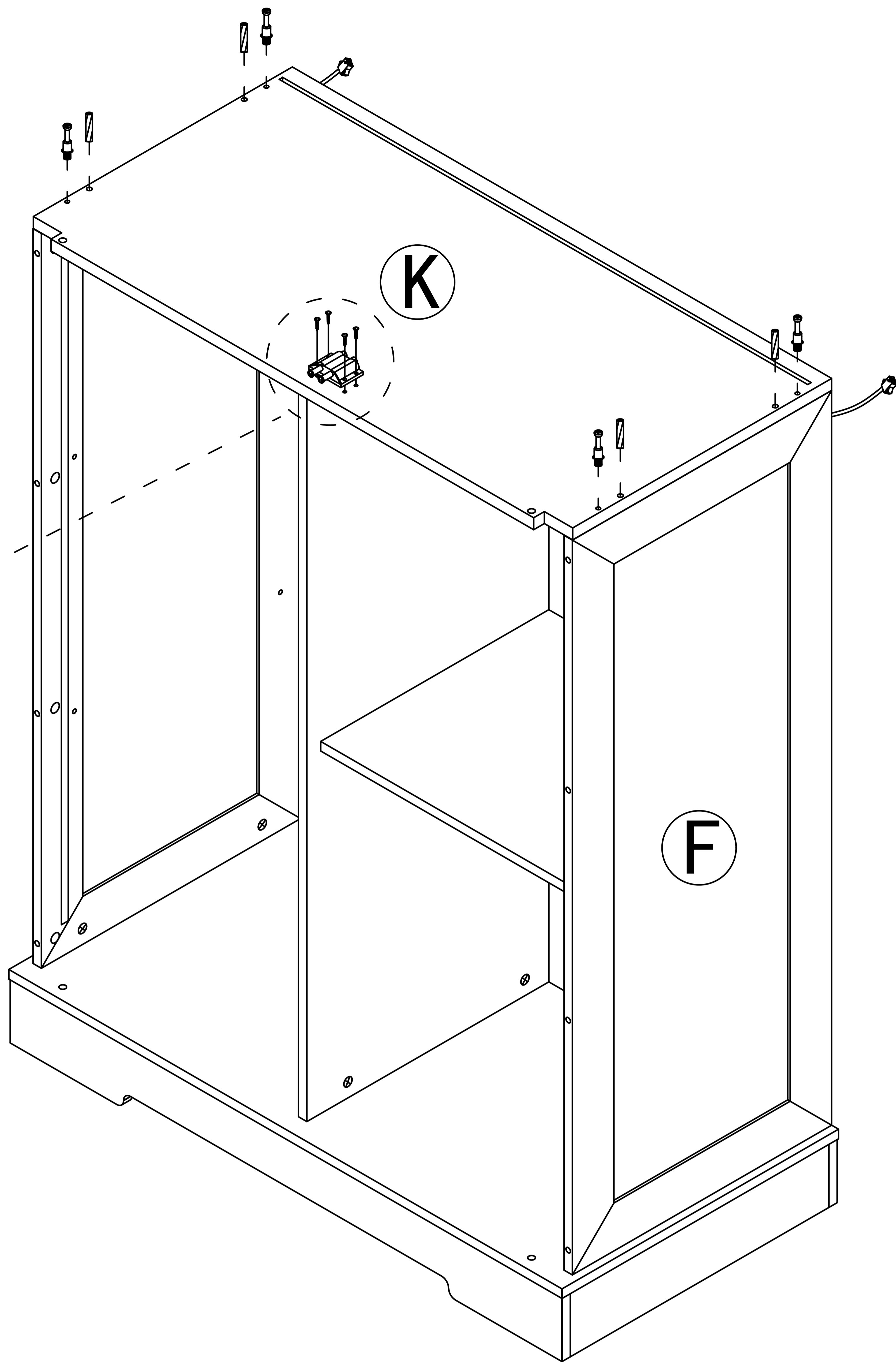
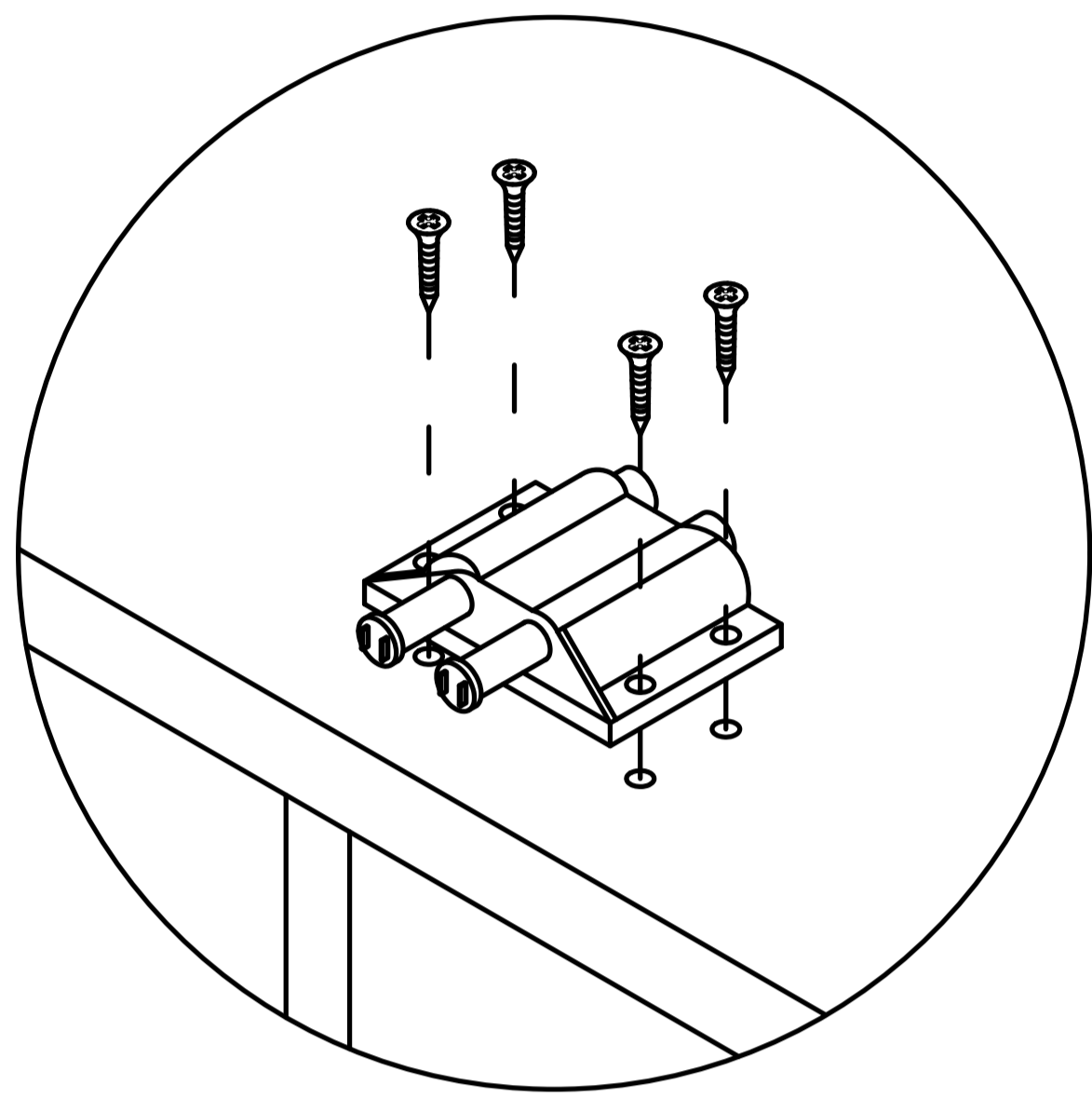
Step 18

2  x6

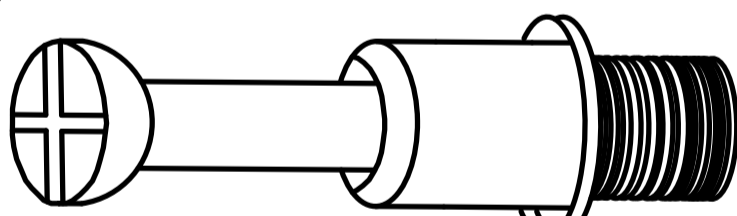


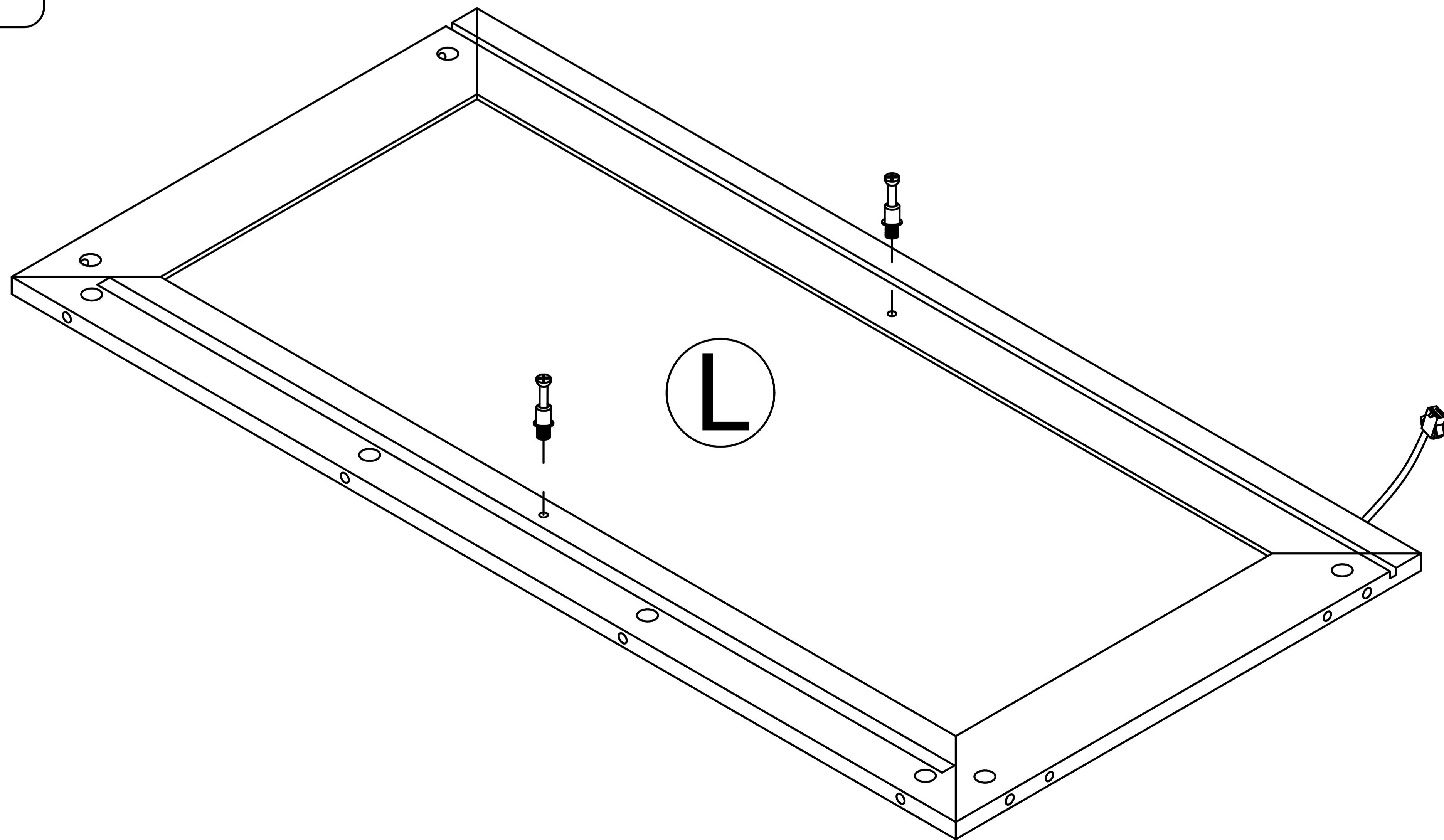
Step 19

- 1  x4
- 3  x4
- 9  x1  x4



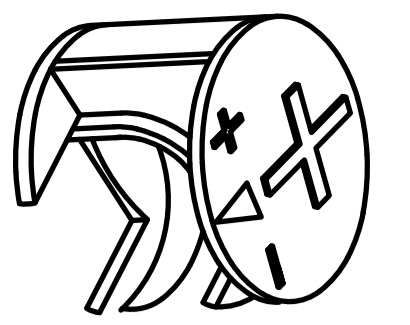
Step 20

- 1  x2

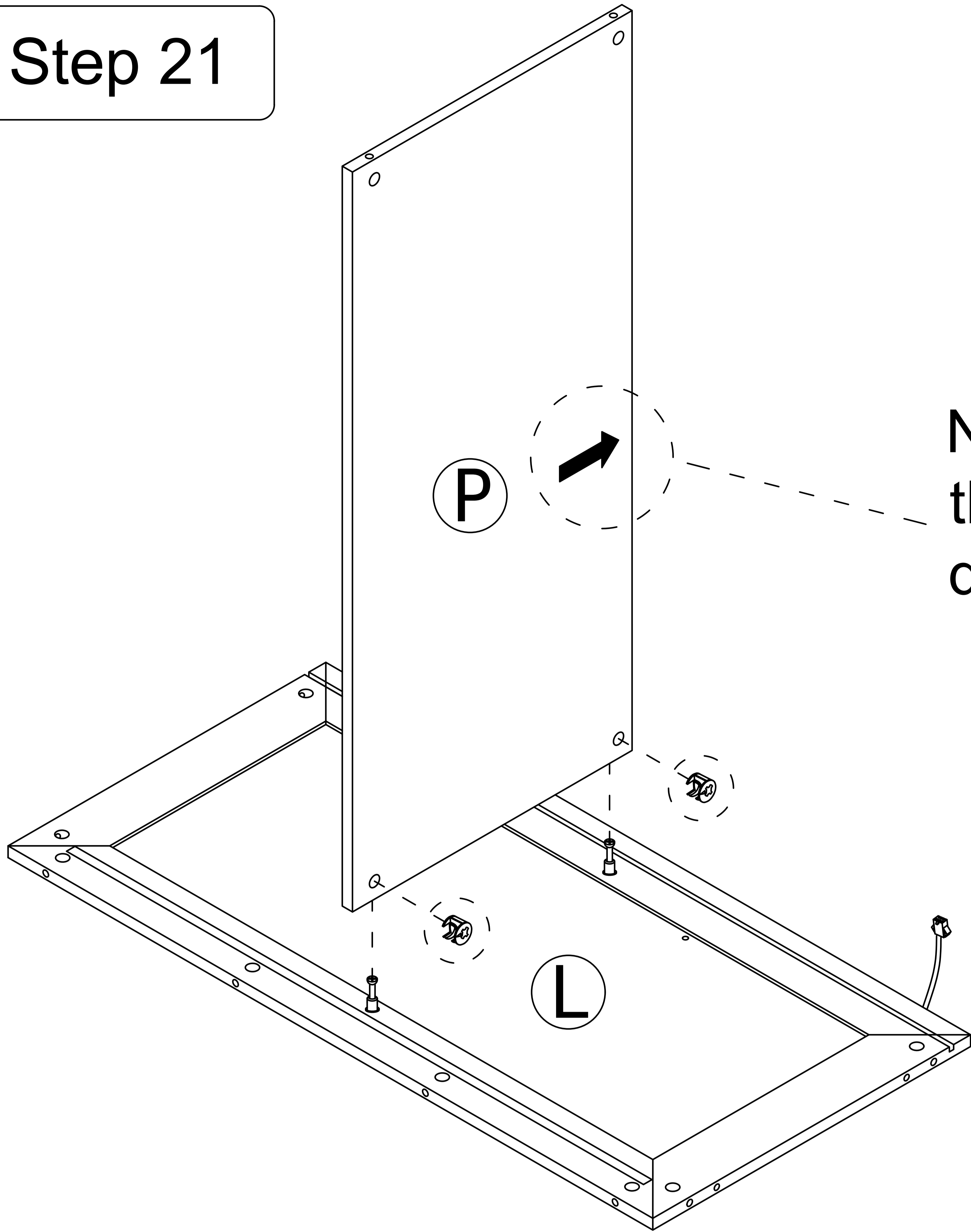


Step 21

2



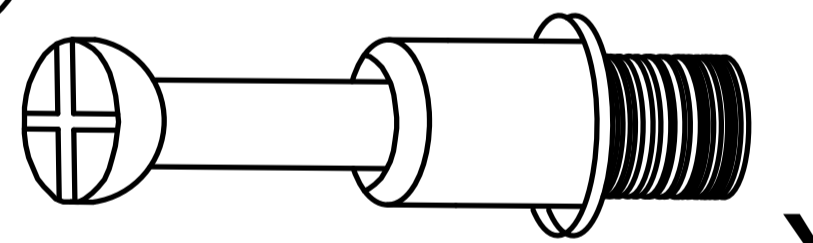
x2



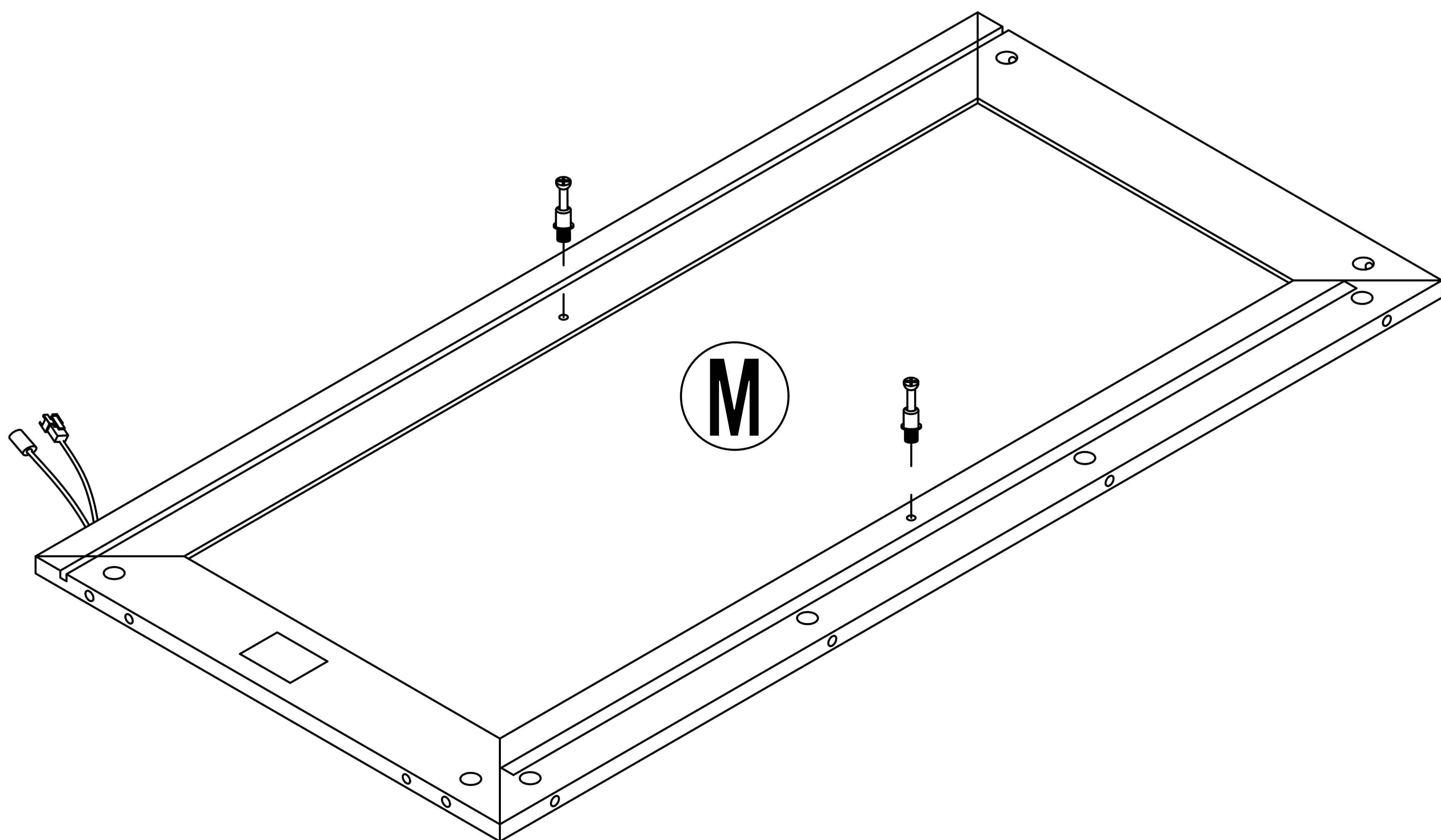
Note: Install according to the arrow on the board, don't install it backwards.

Step 22

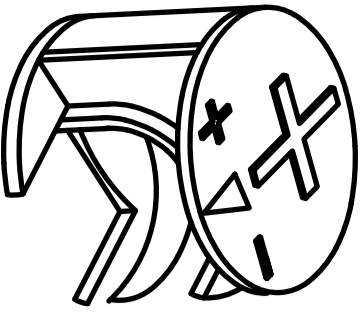
1

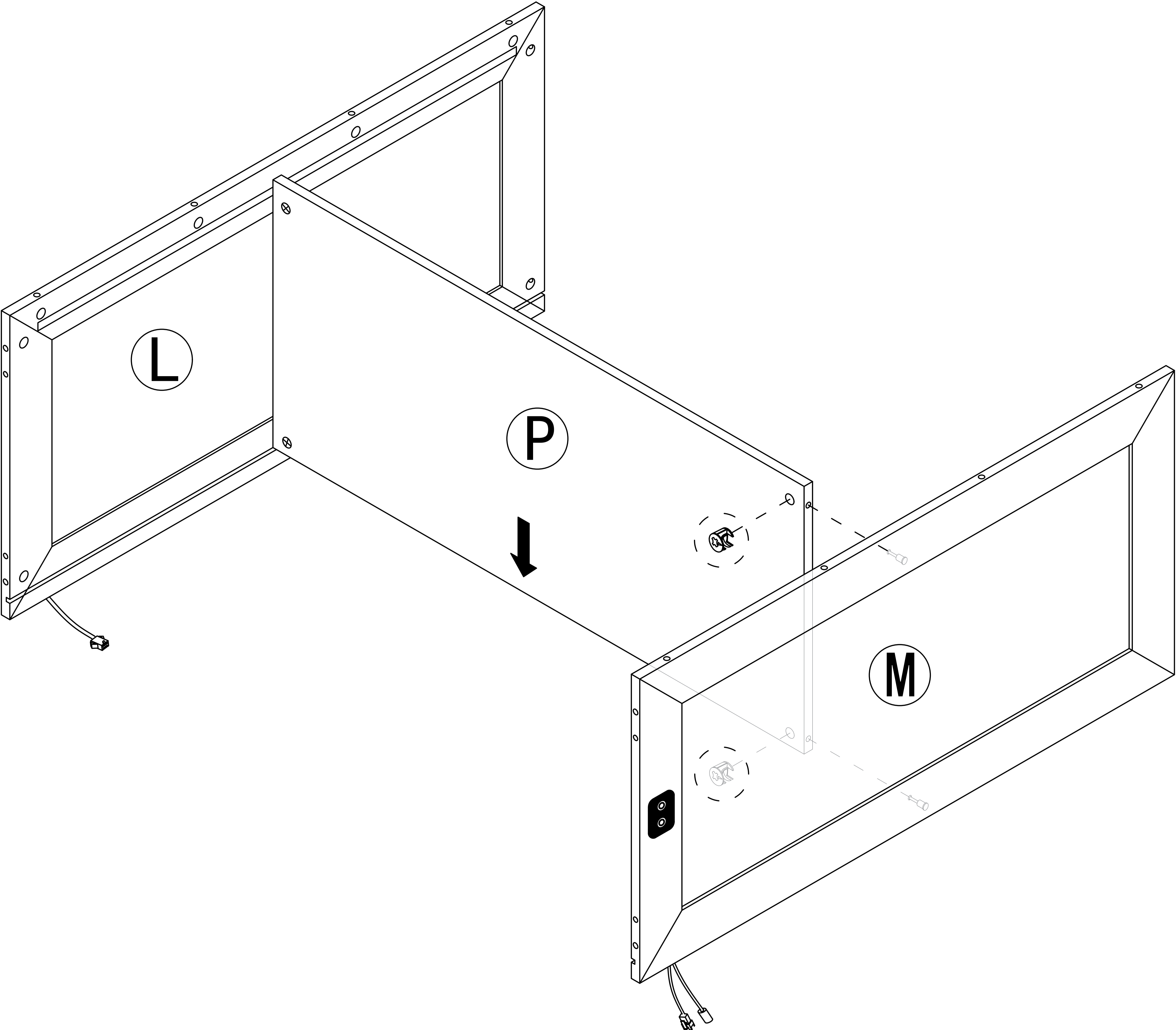


x2



Step 23

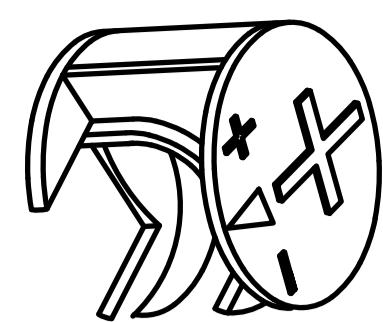
2  x2



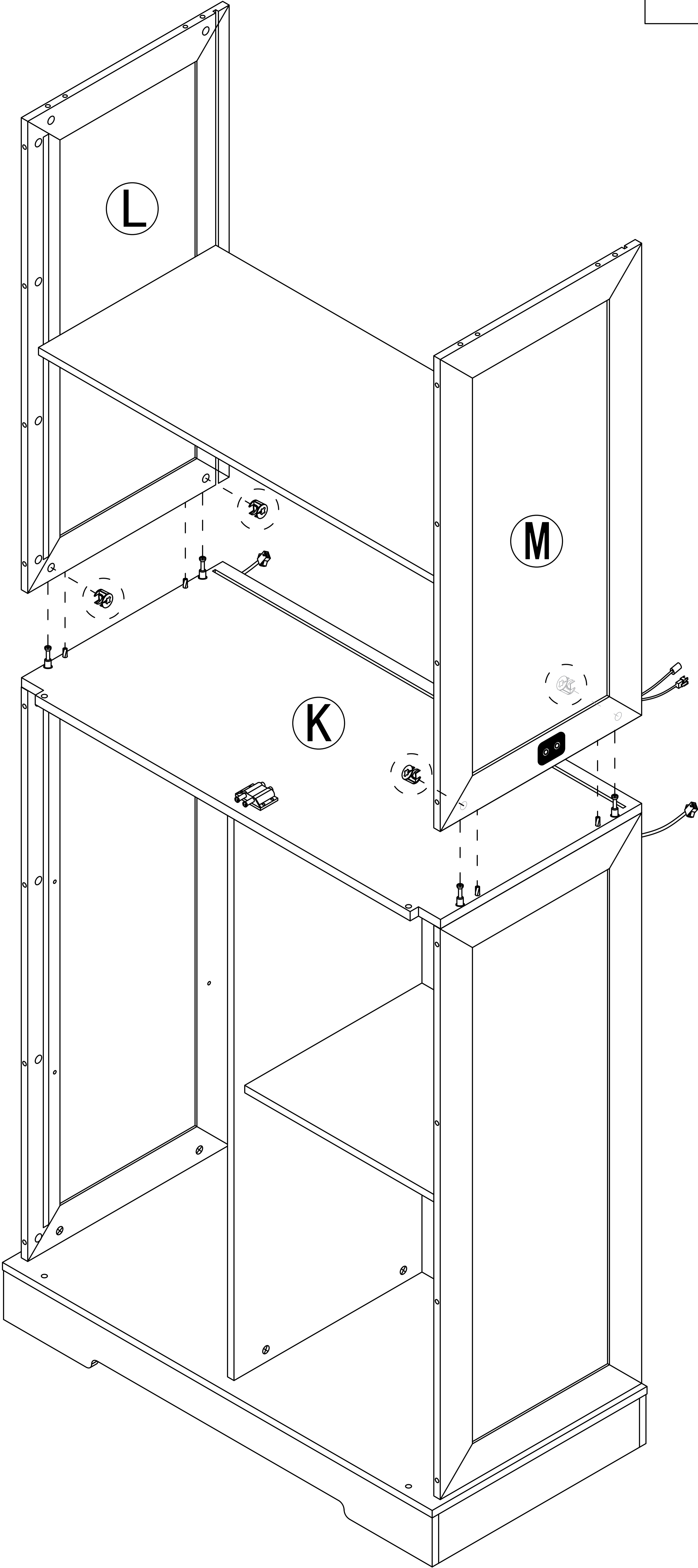
Attention: Don't press the lamp wire.

Step 24

2

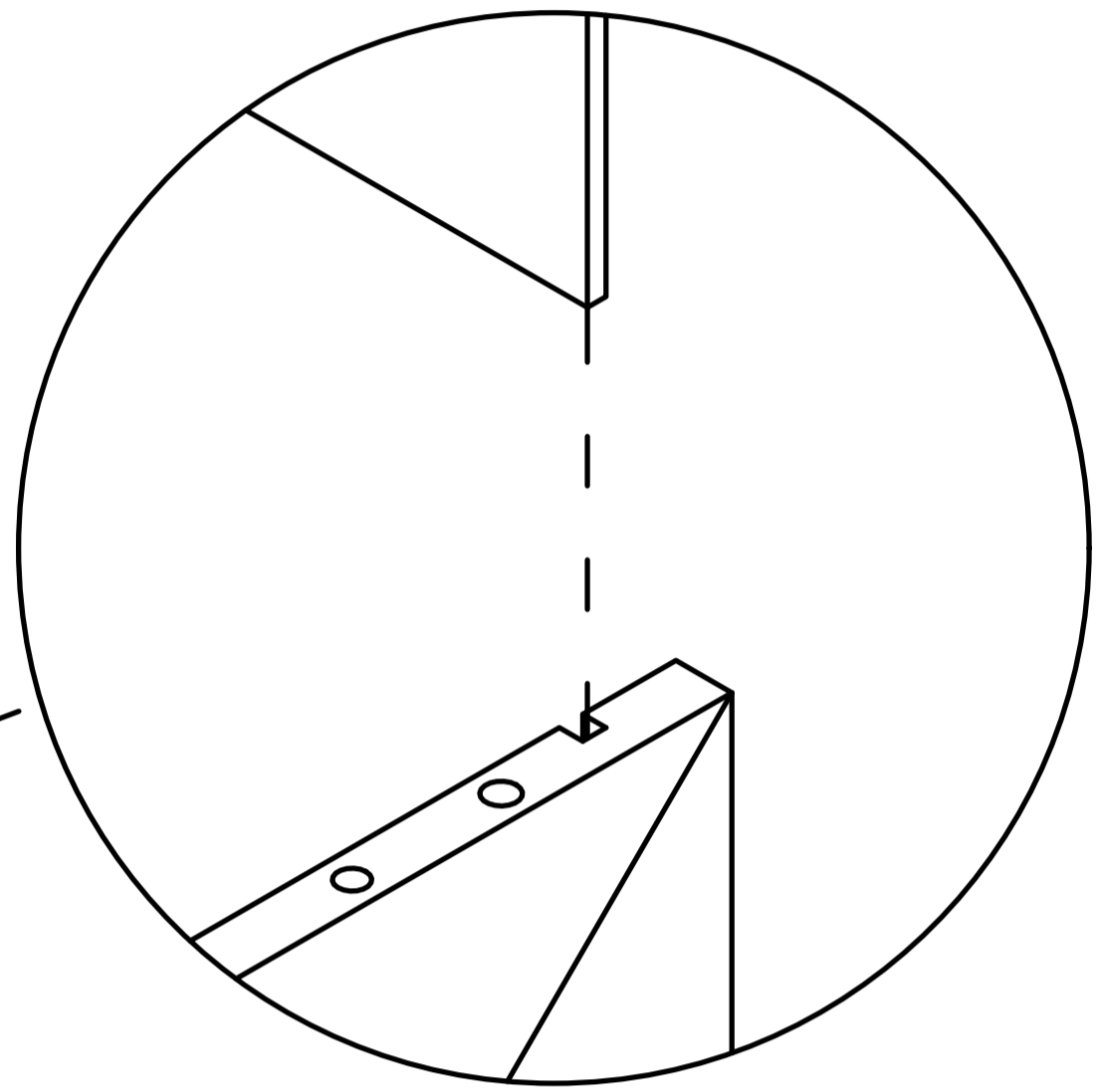
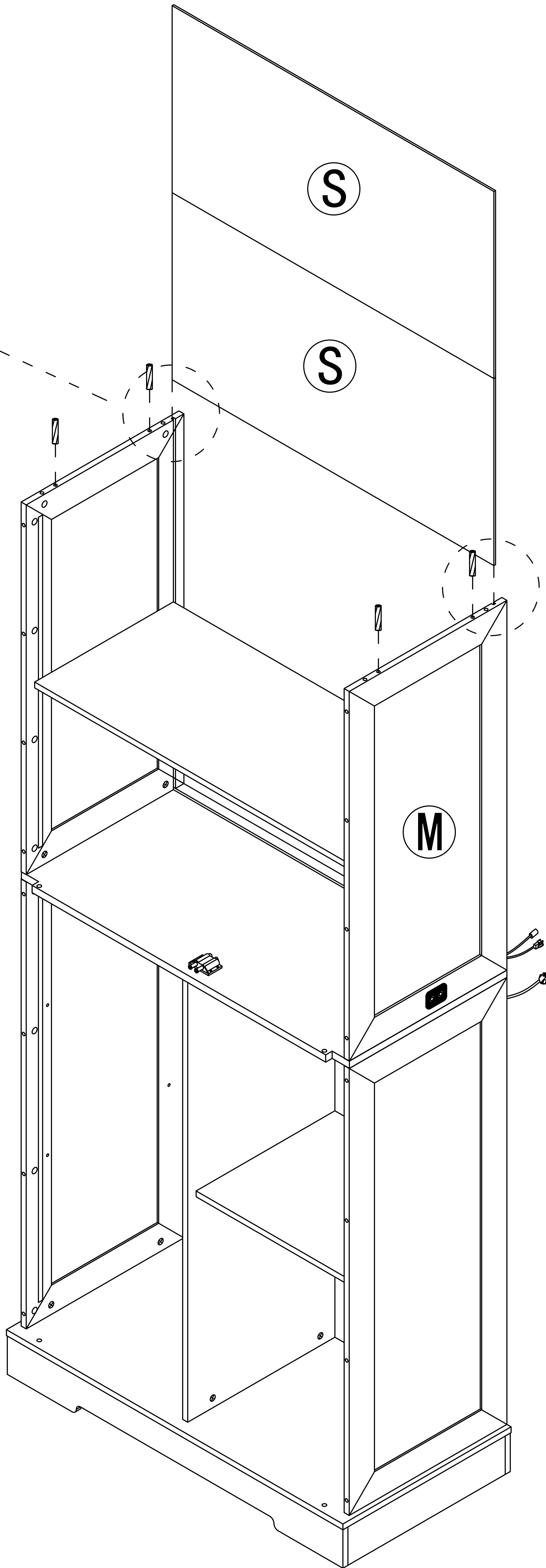
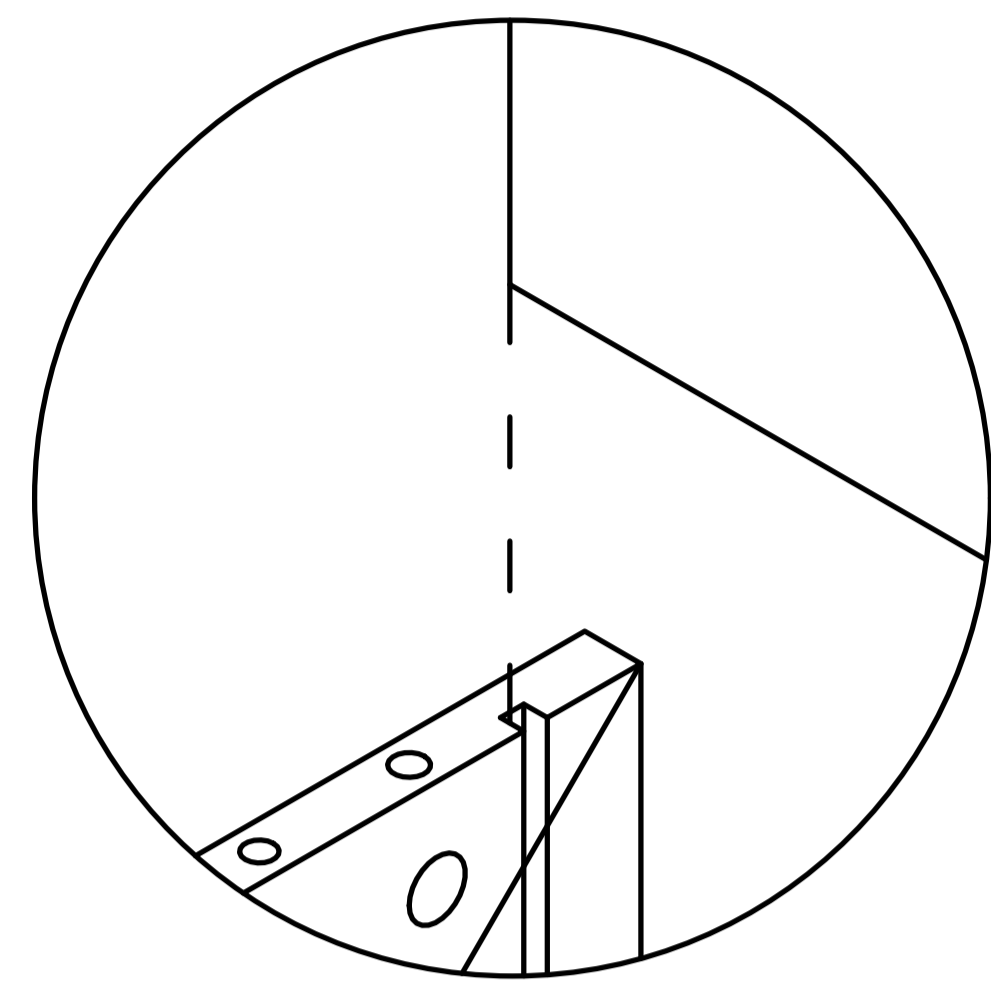


x4

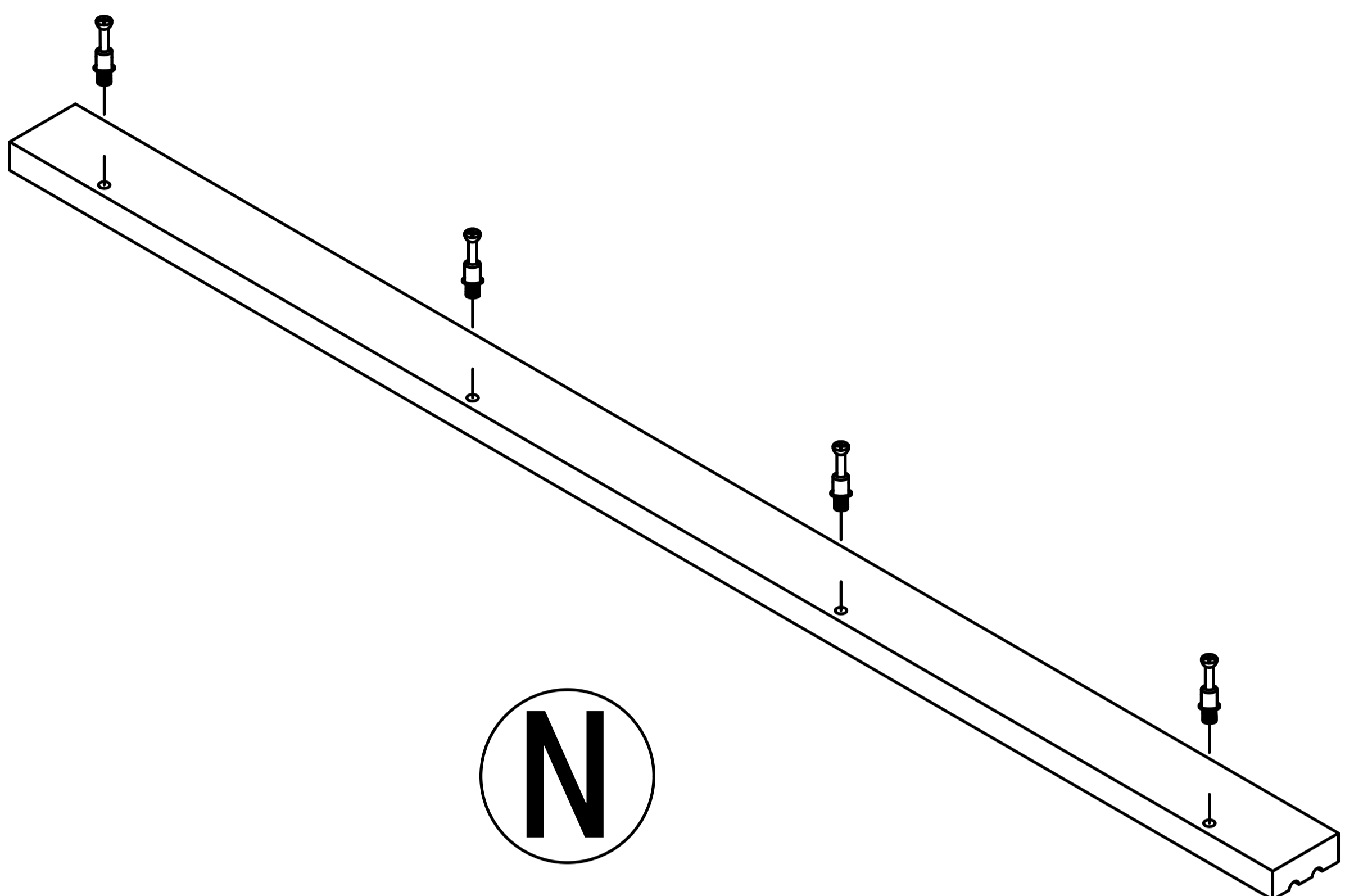
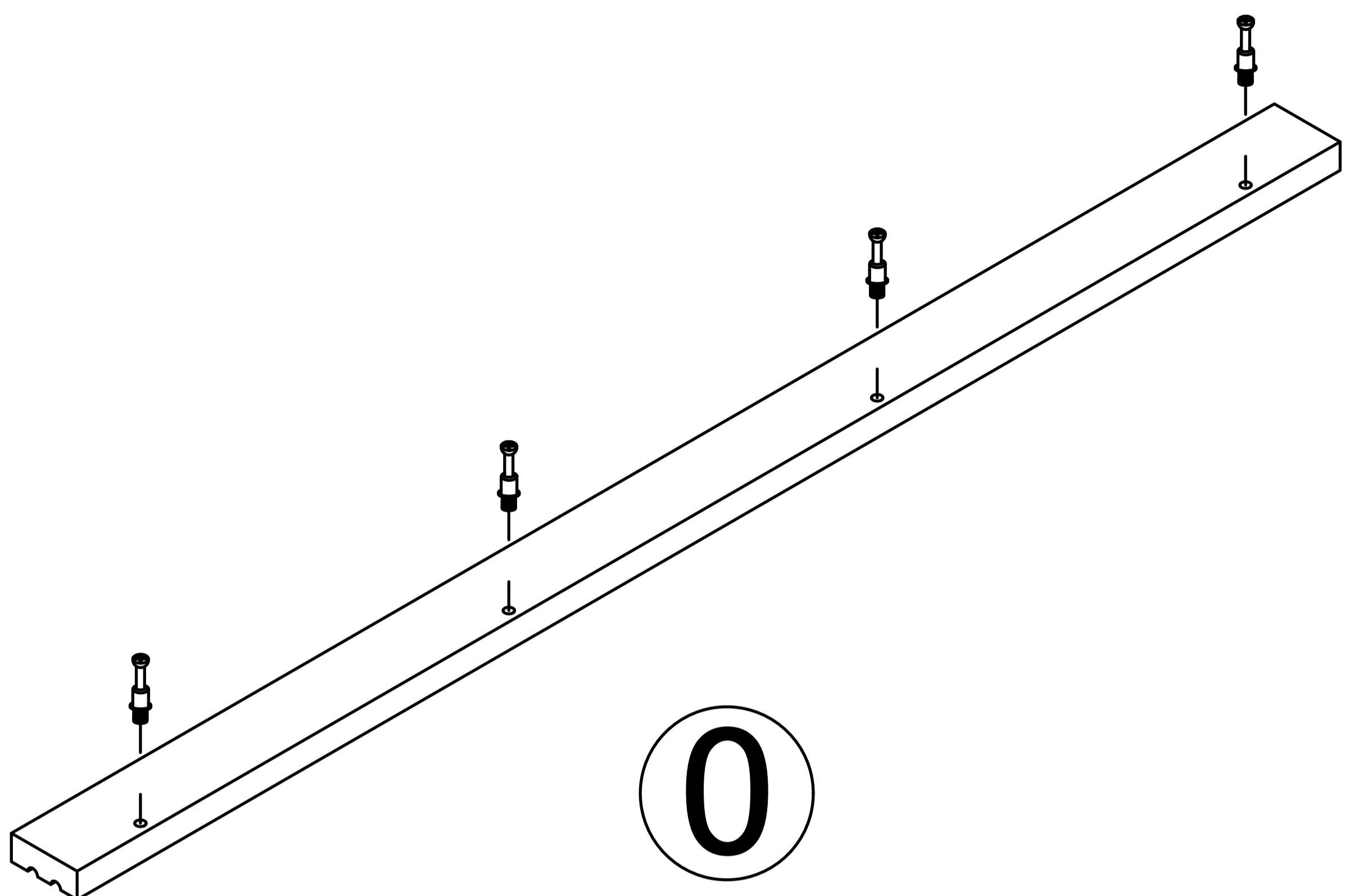
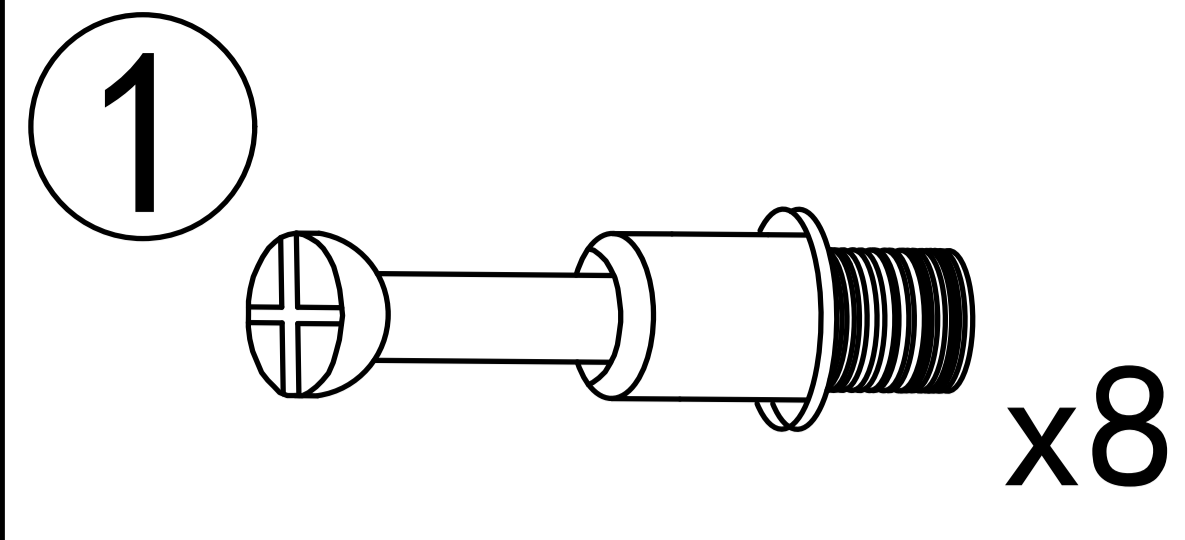


Step 25

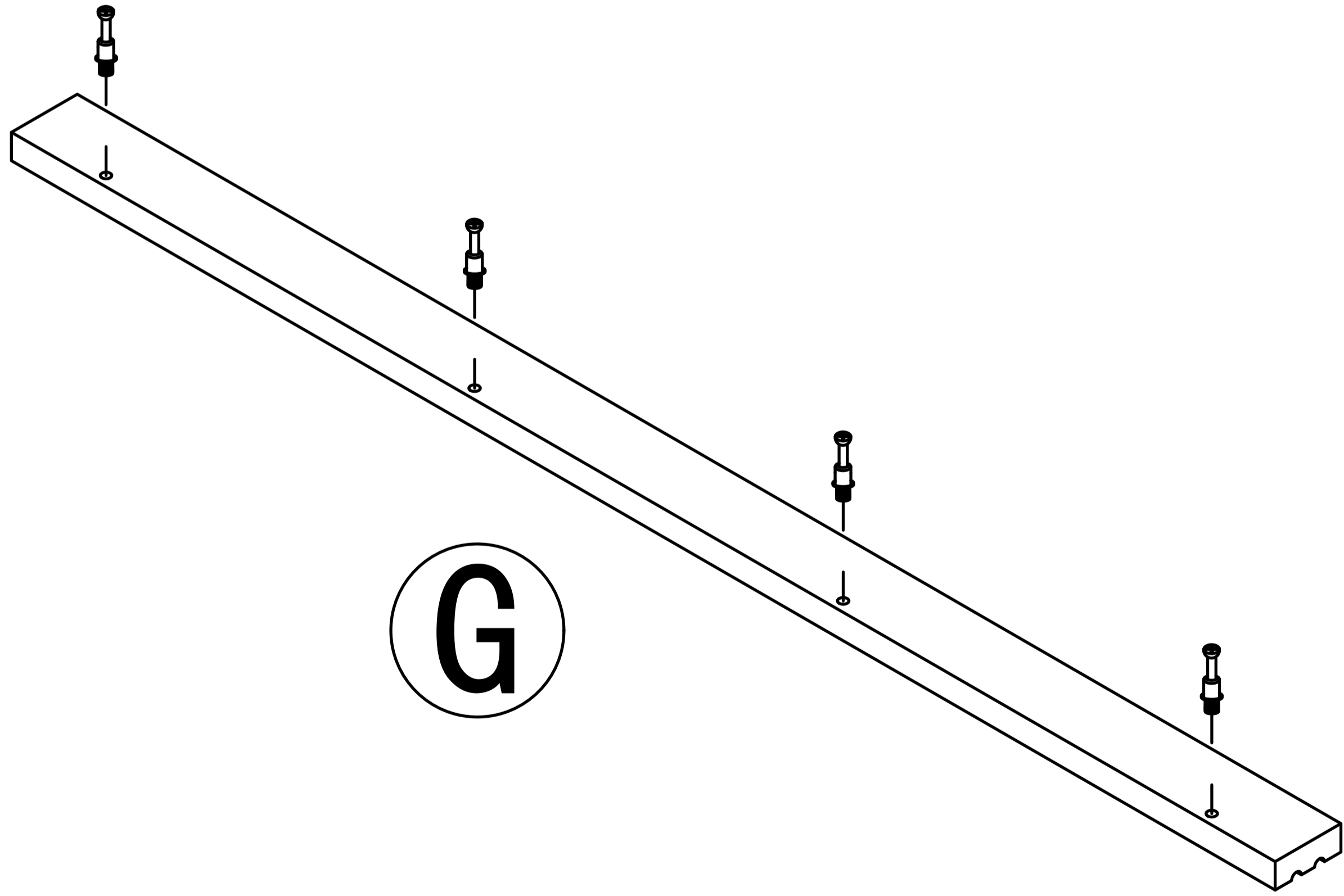
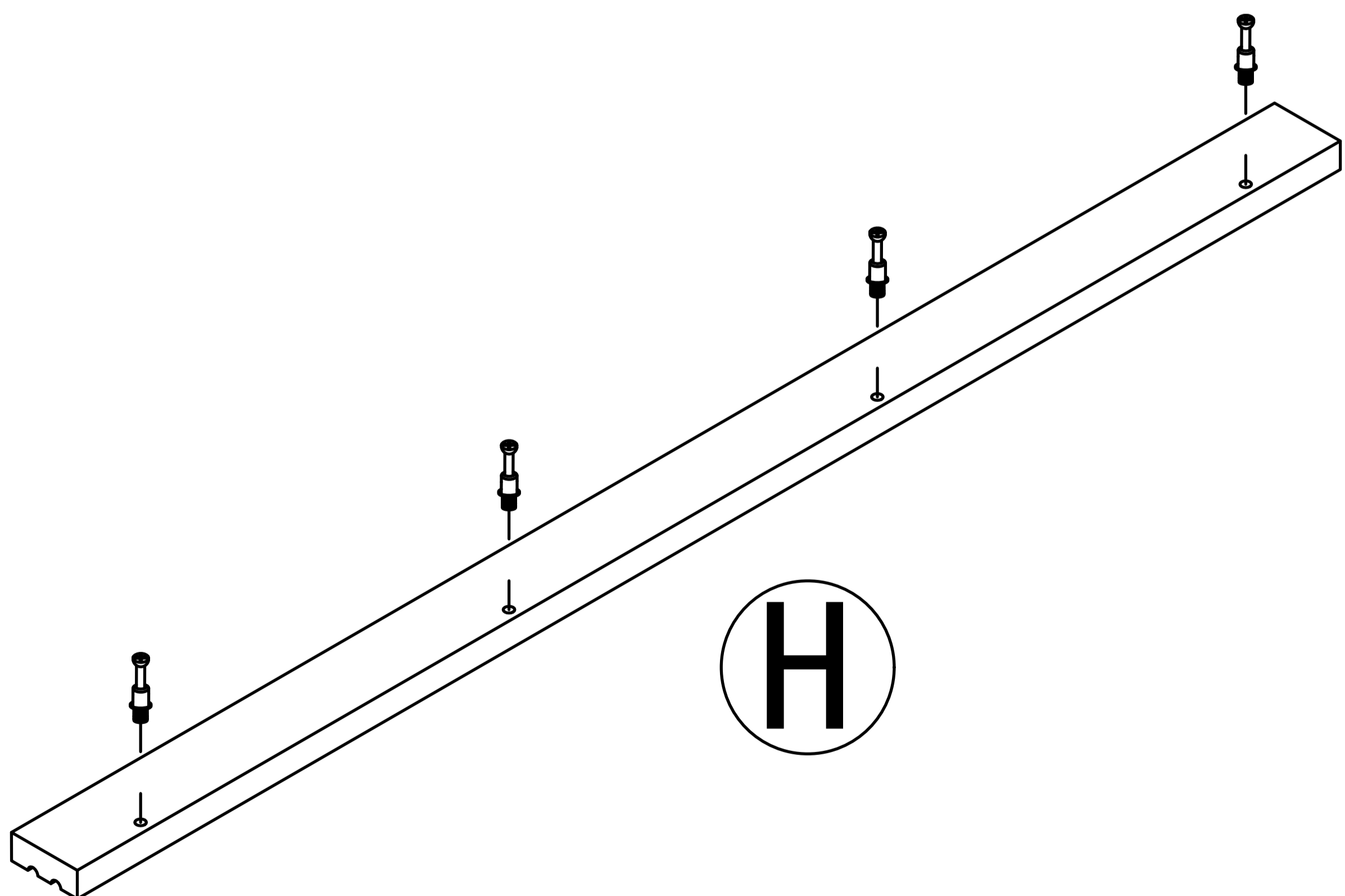
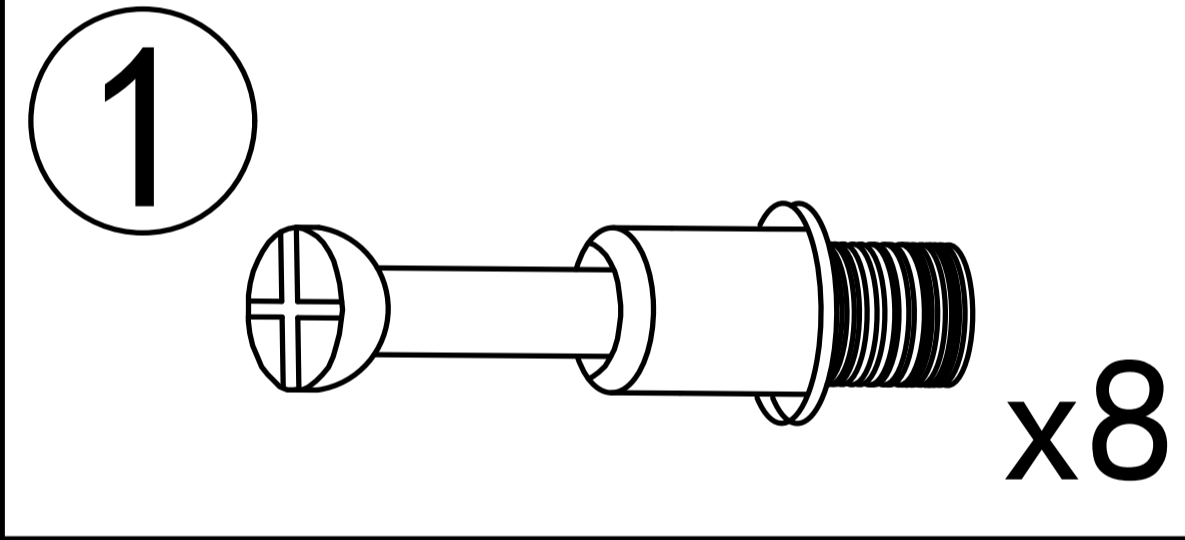
3 x4



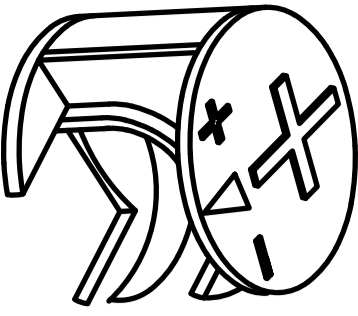
Step 26

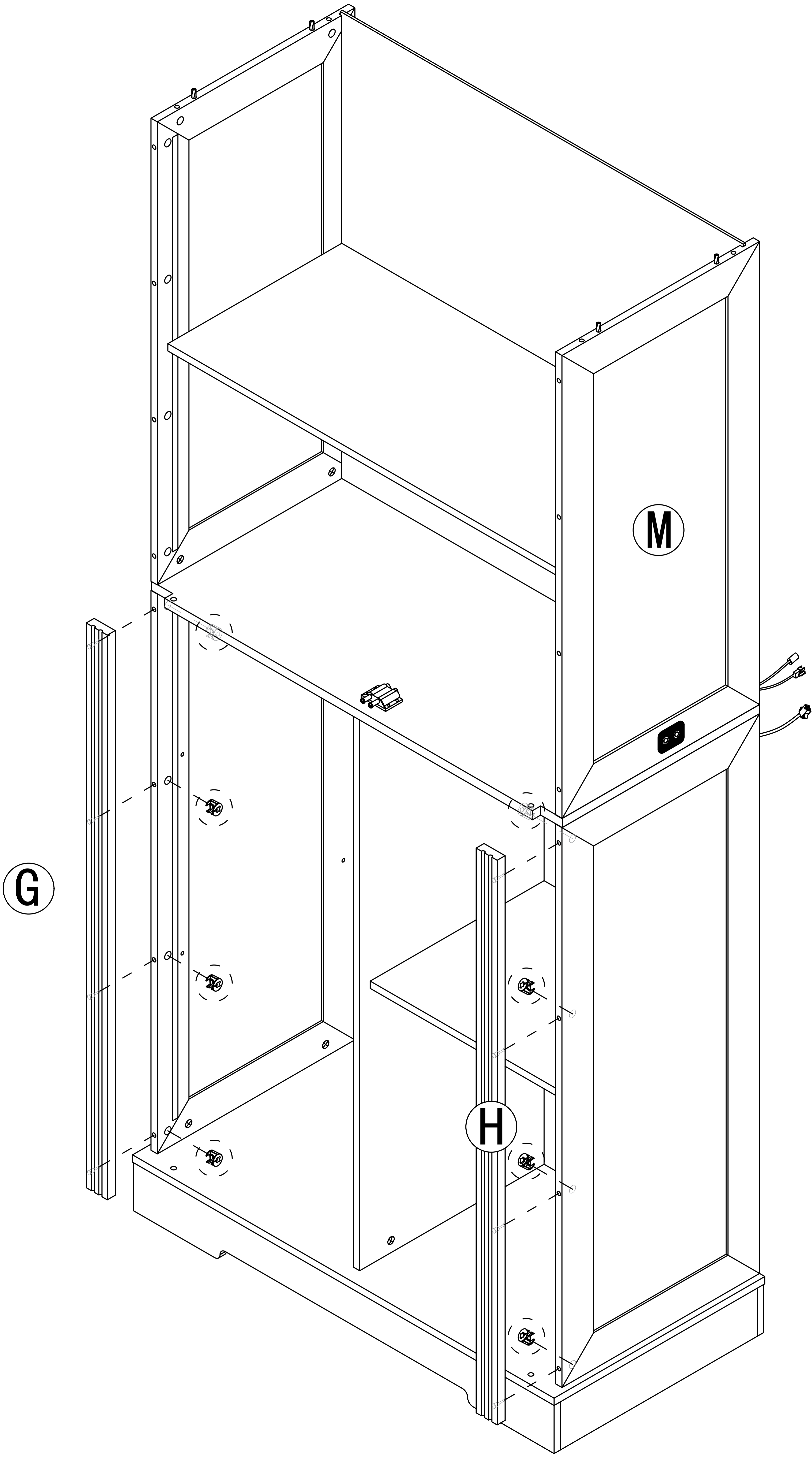


Step 27



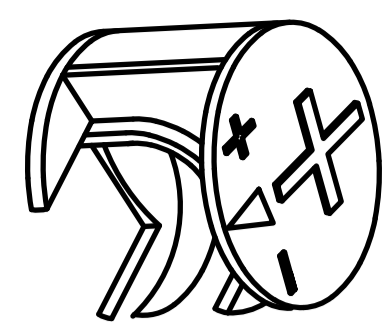
Step 28

2  x8

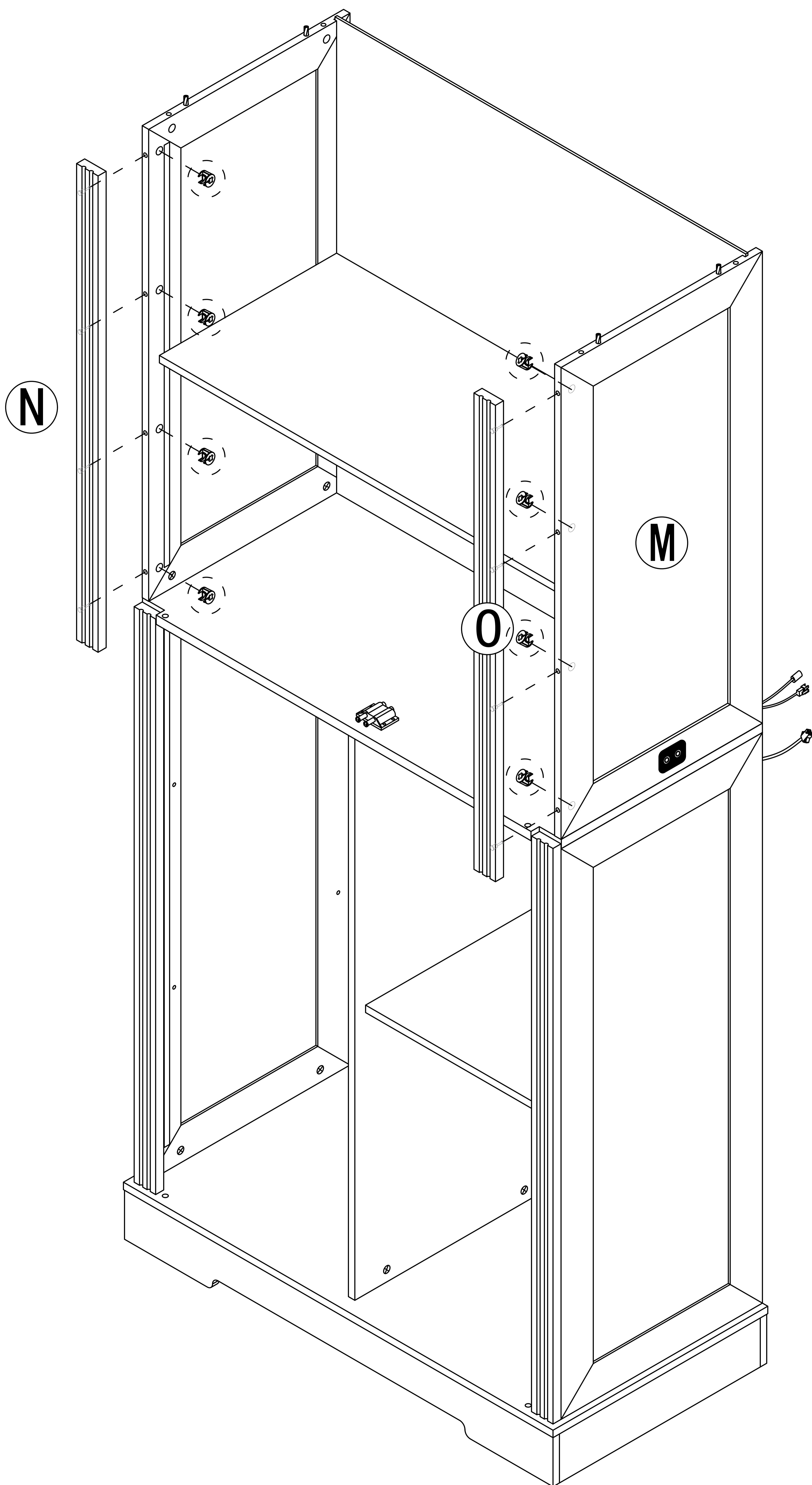


Step 29

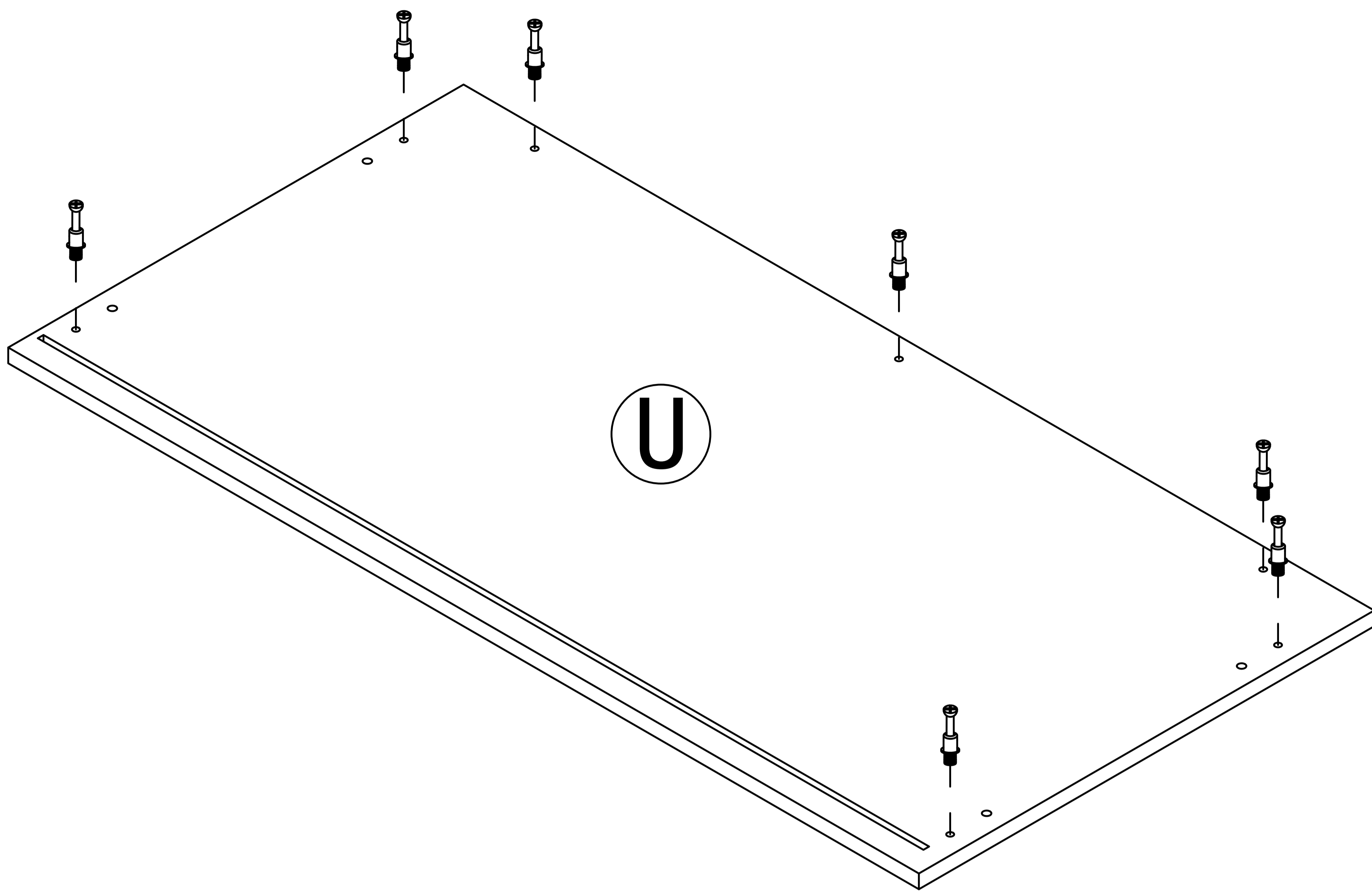
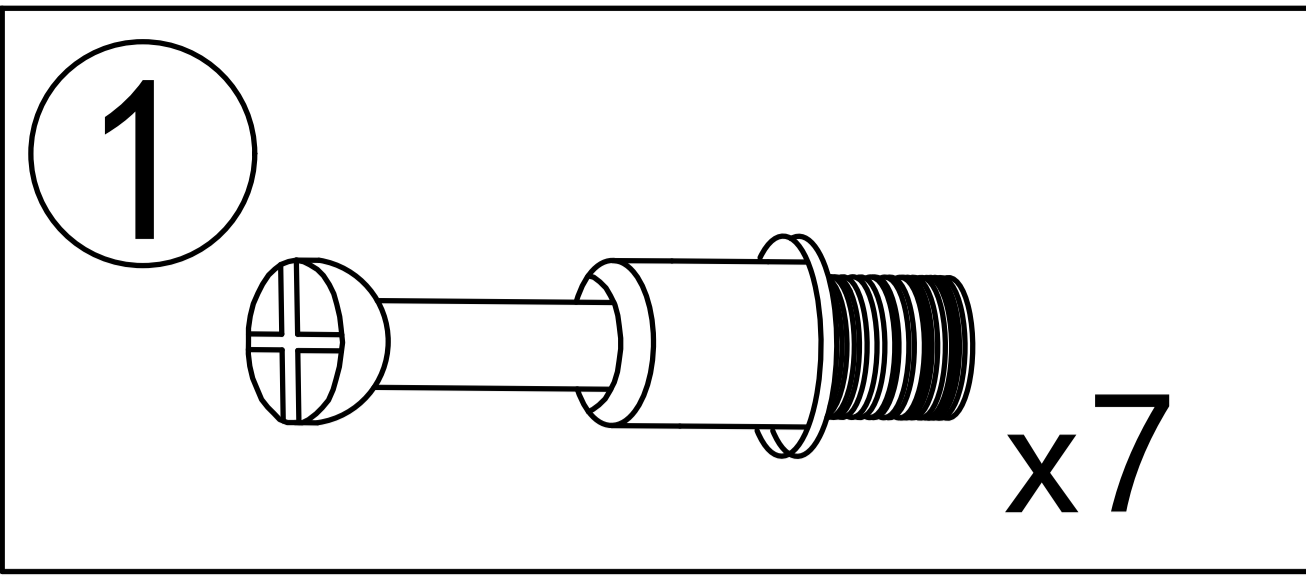
2



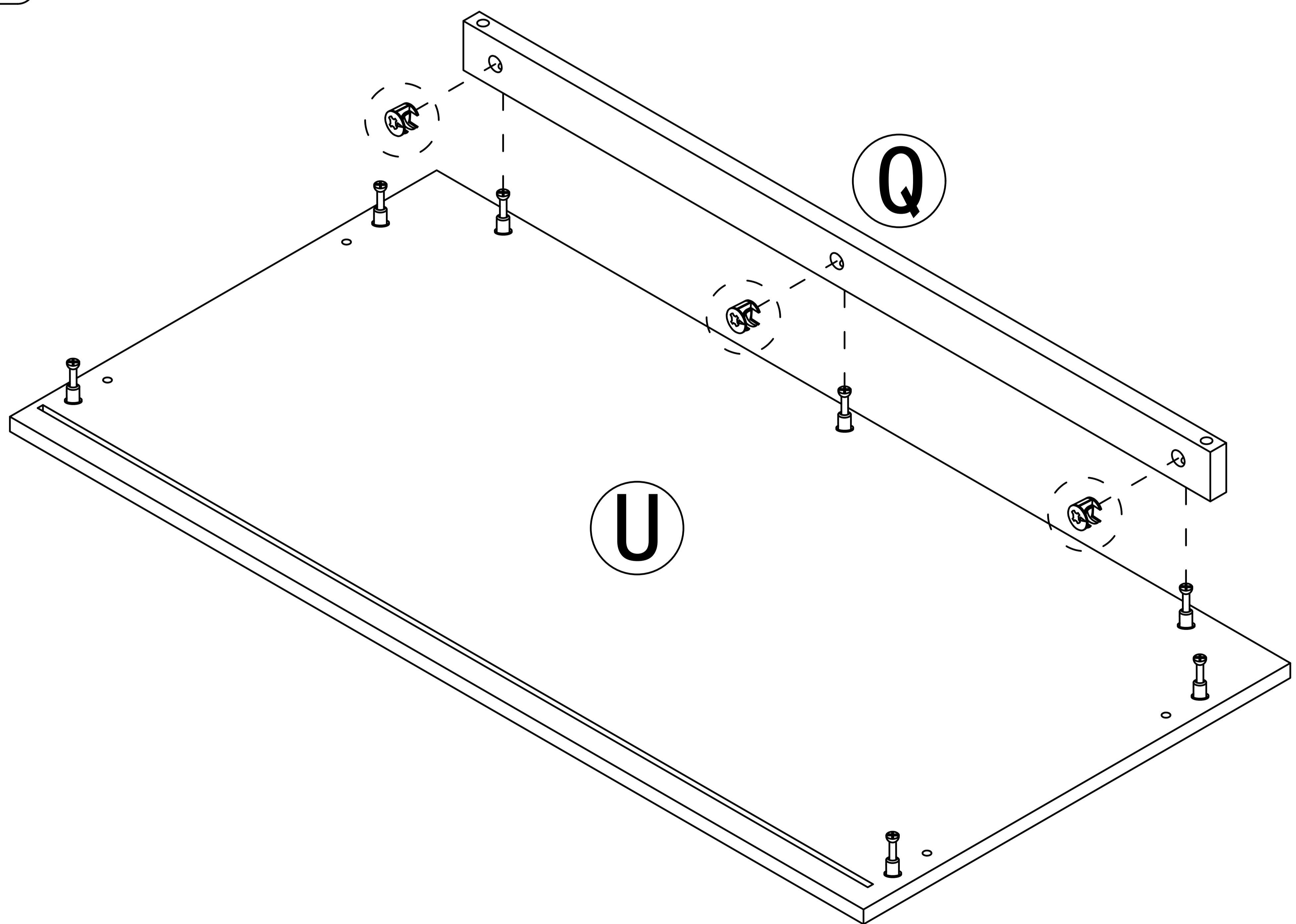
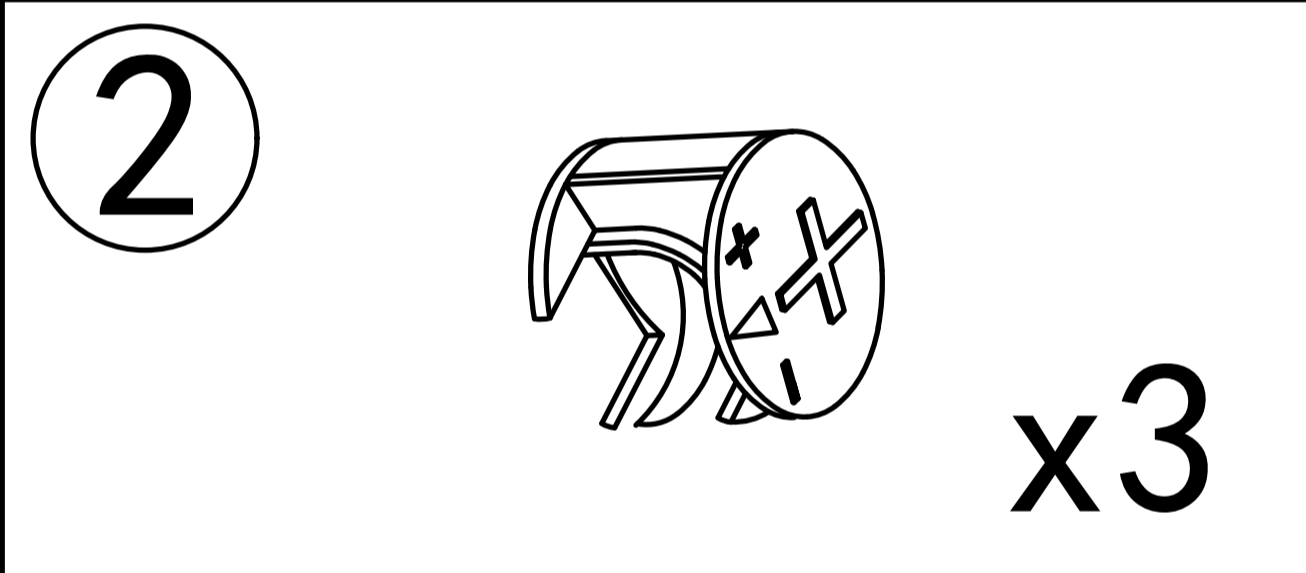
x8



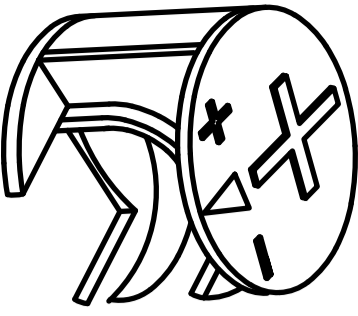
Step 30

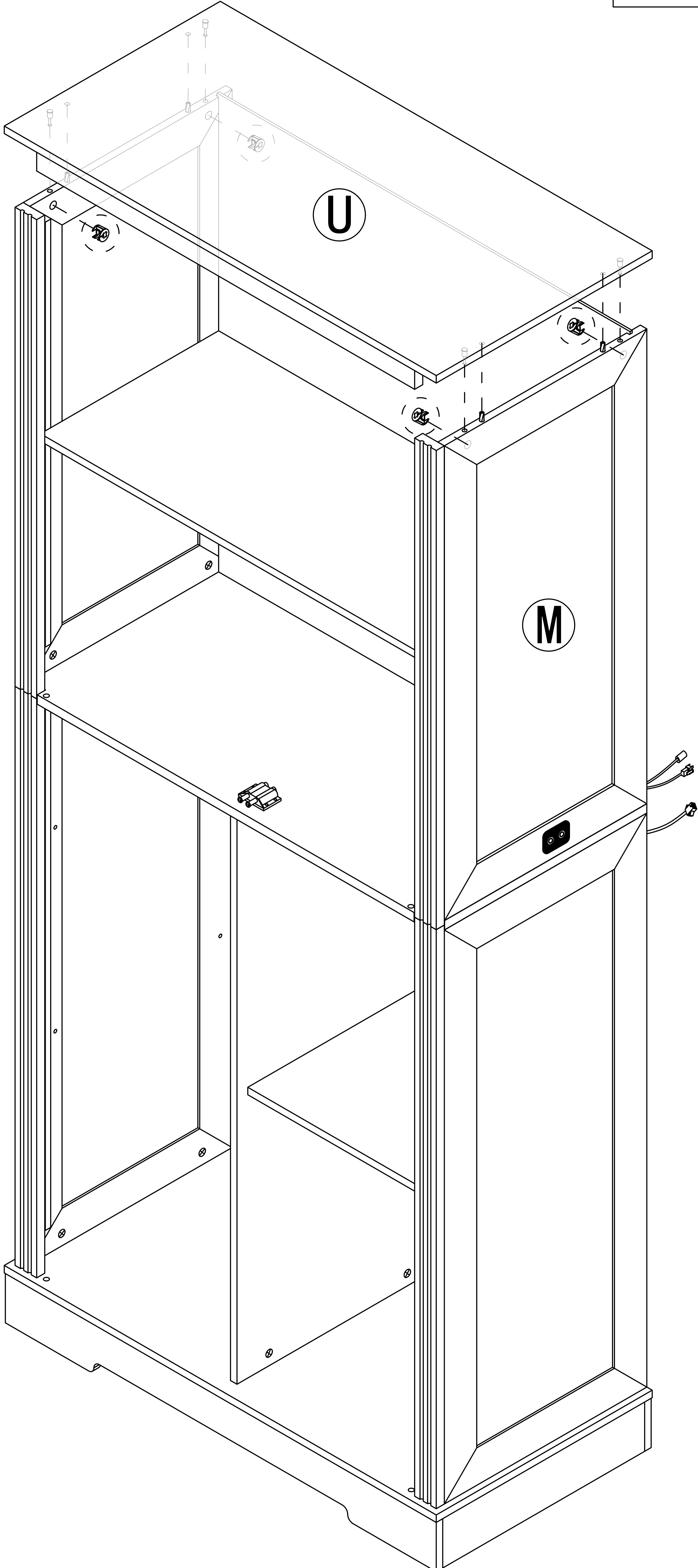


Step 31

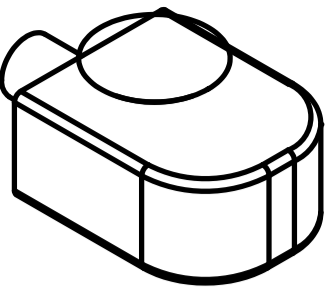


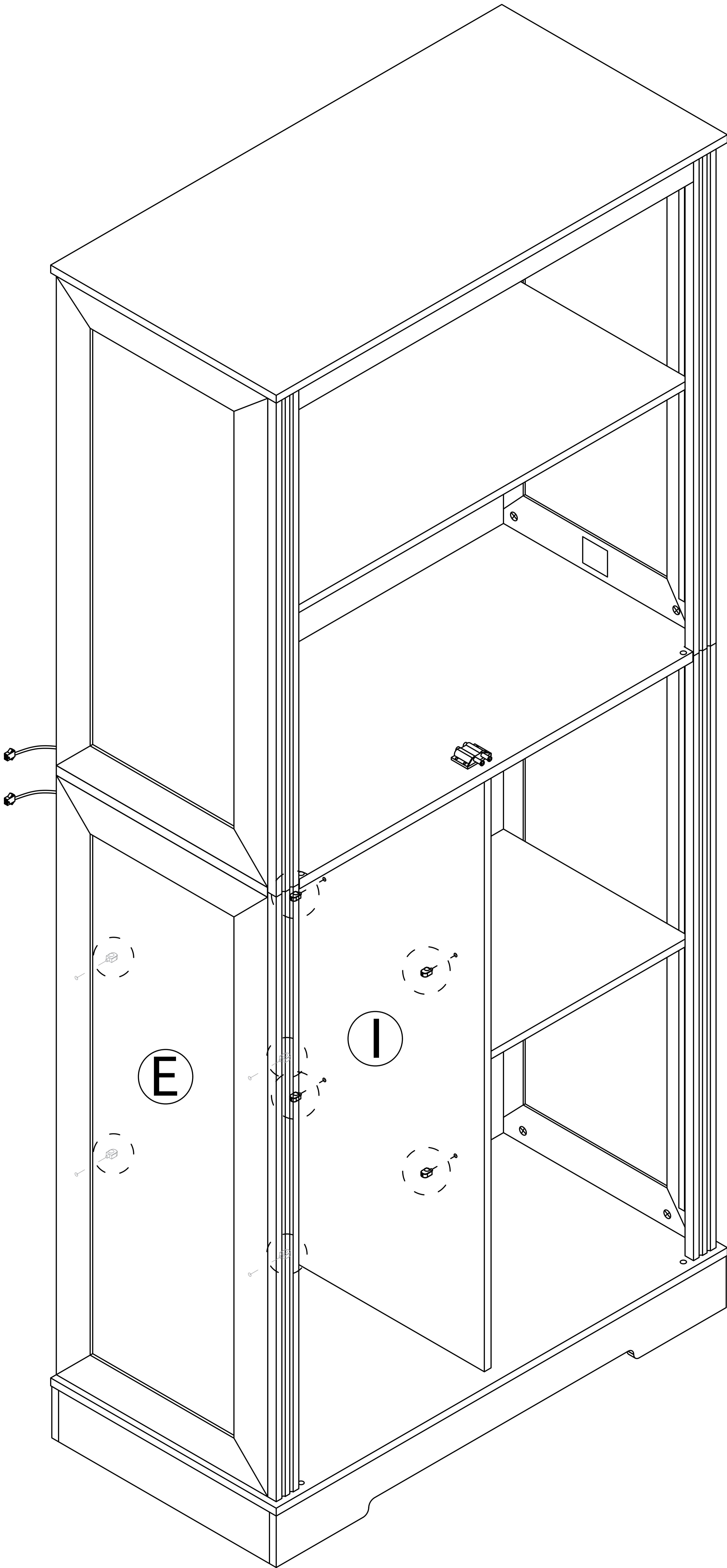
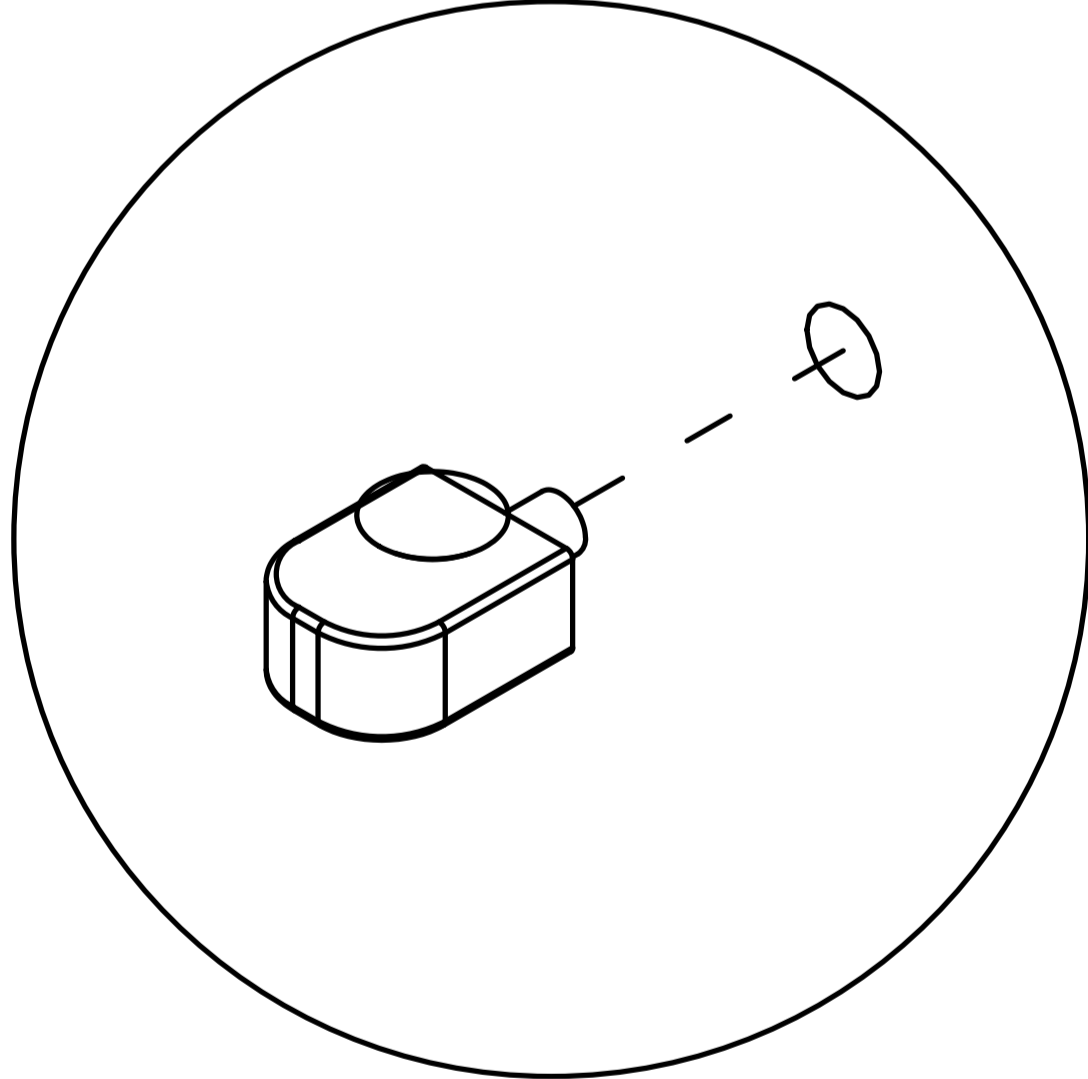
Step 32

2  x4

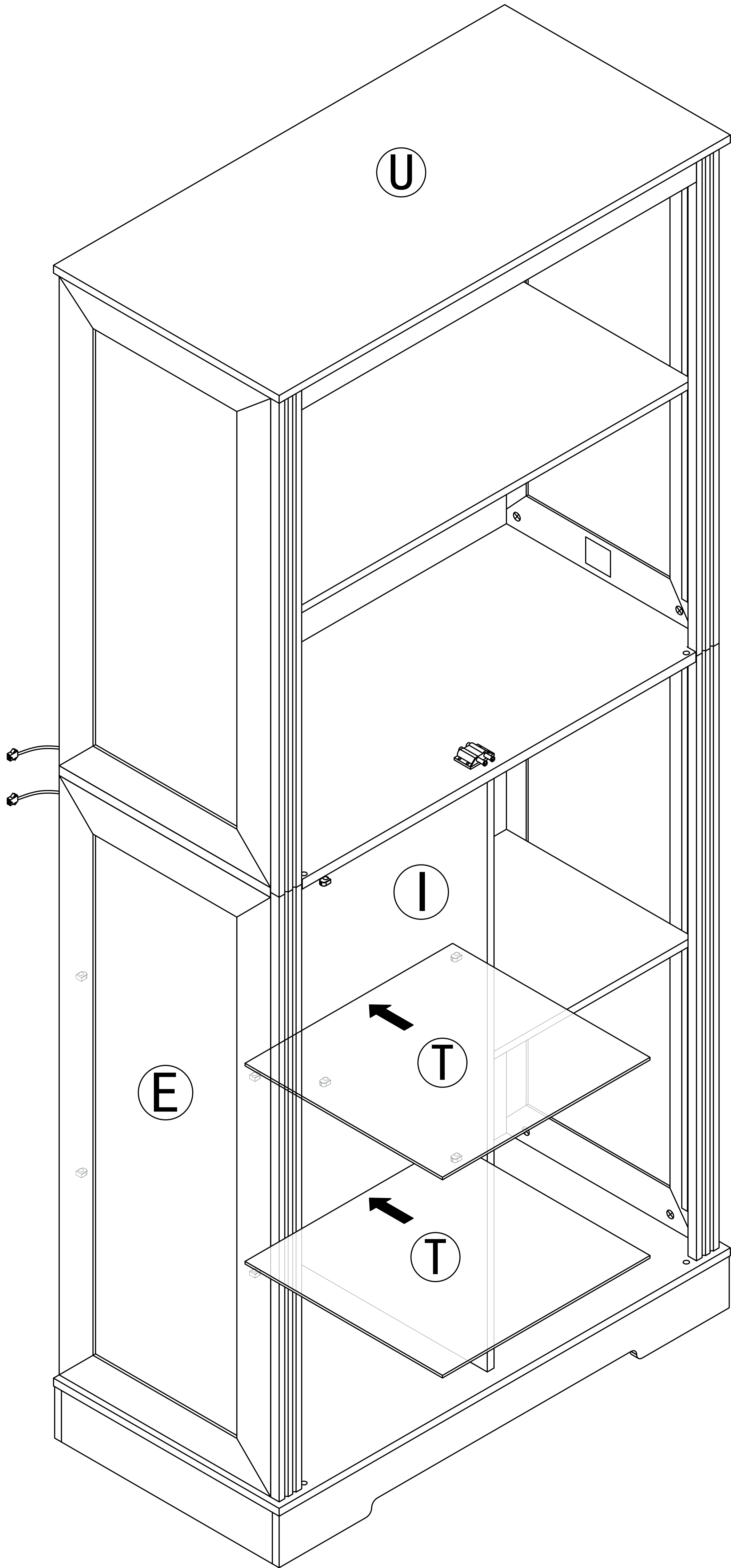


Step 33

10  x8

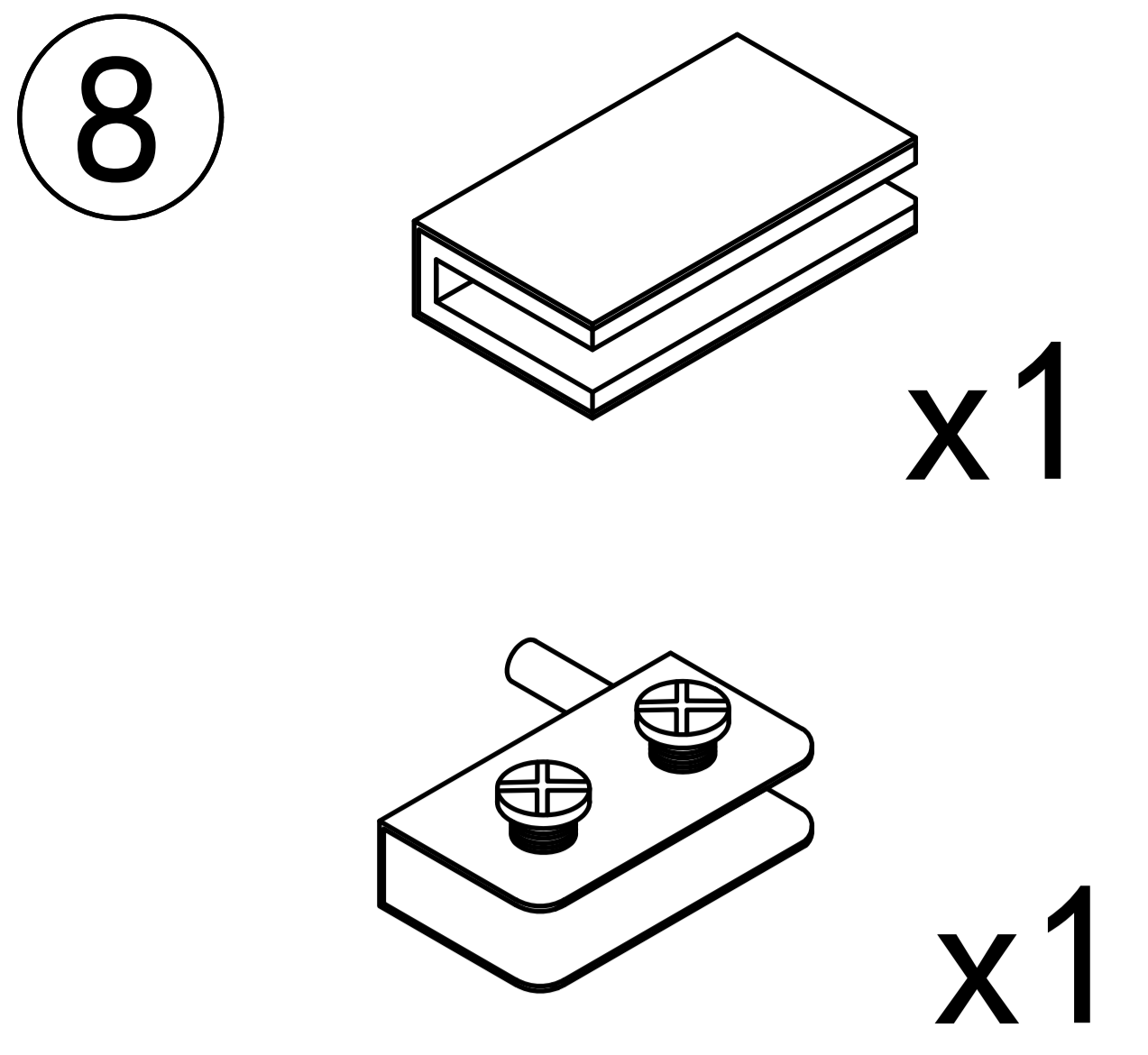
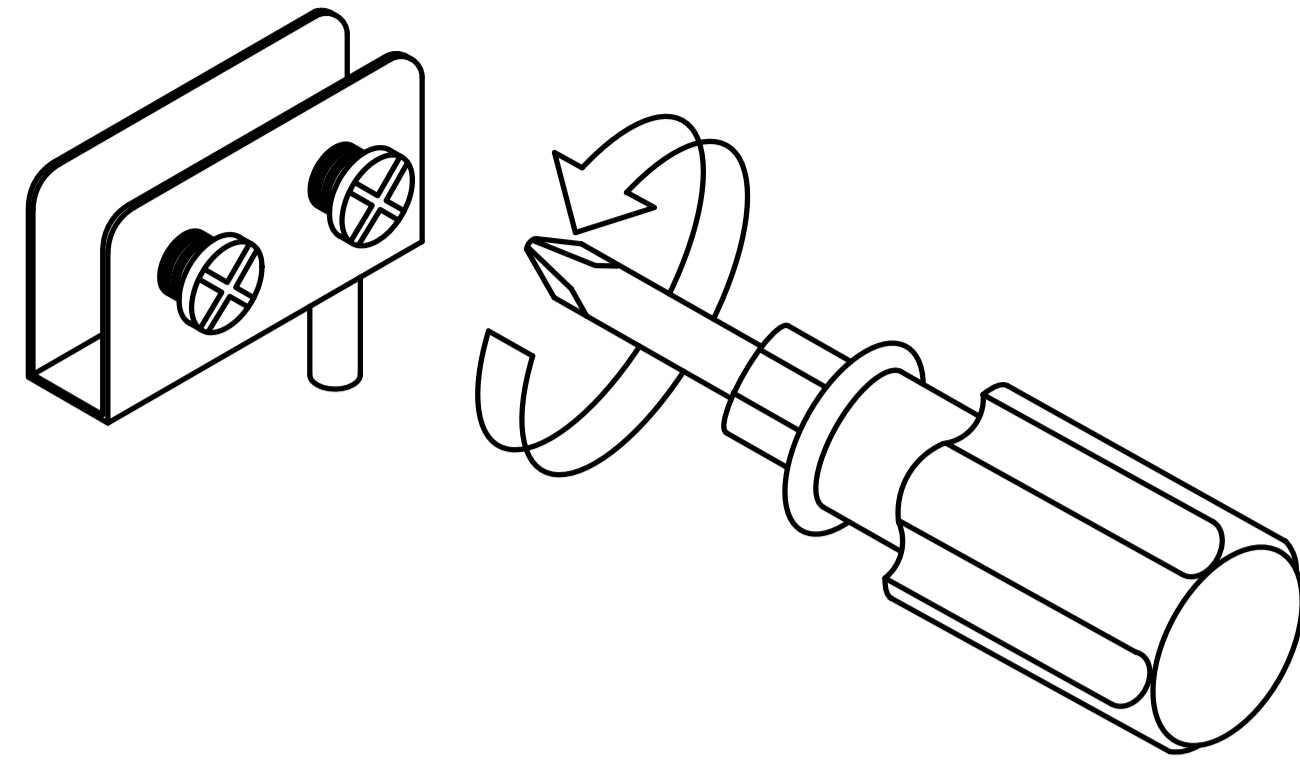


Step 34

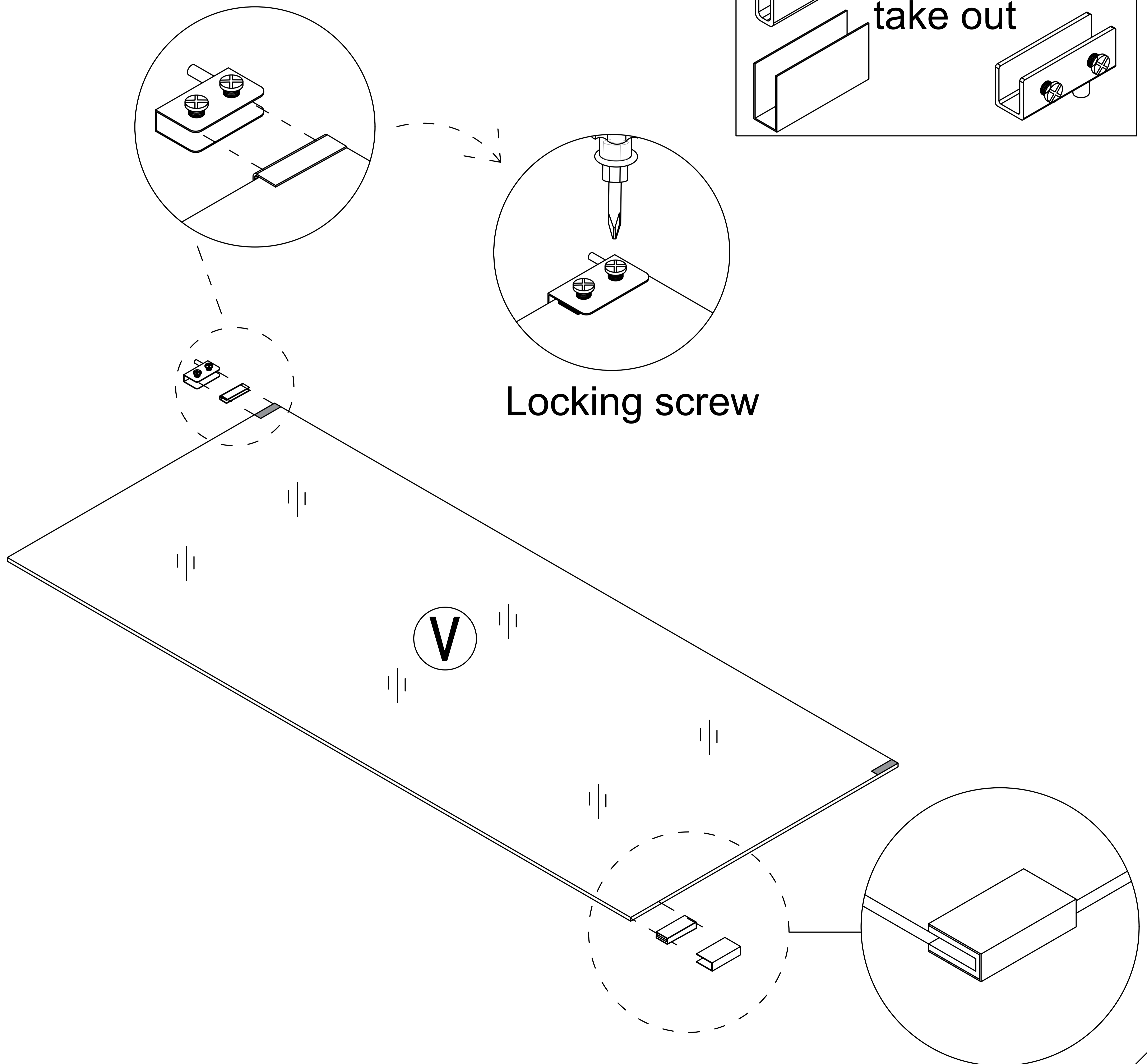
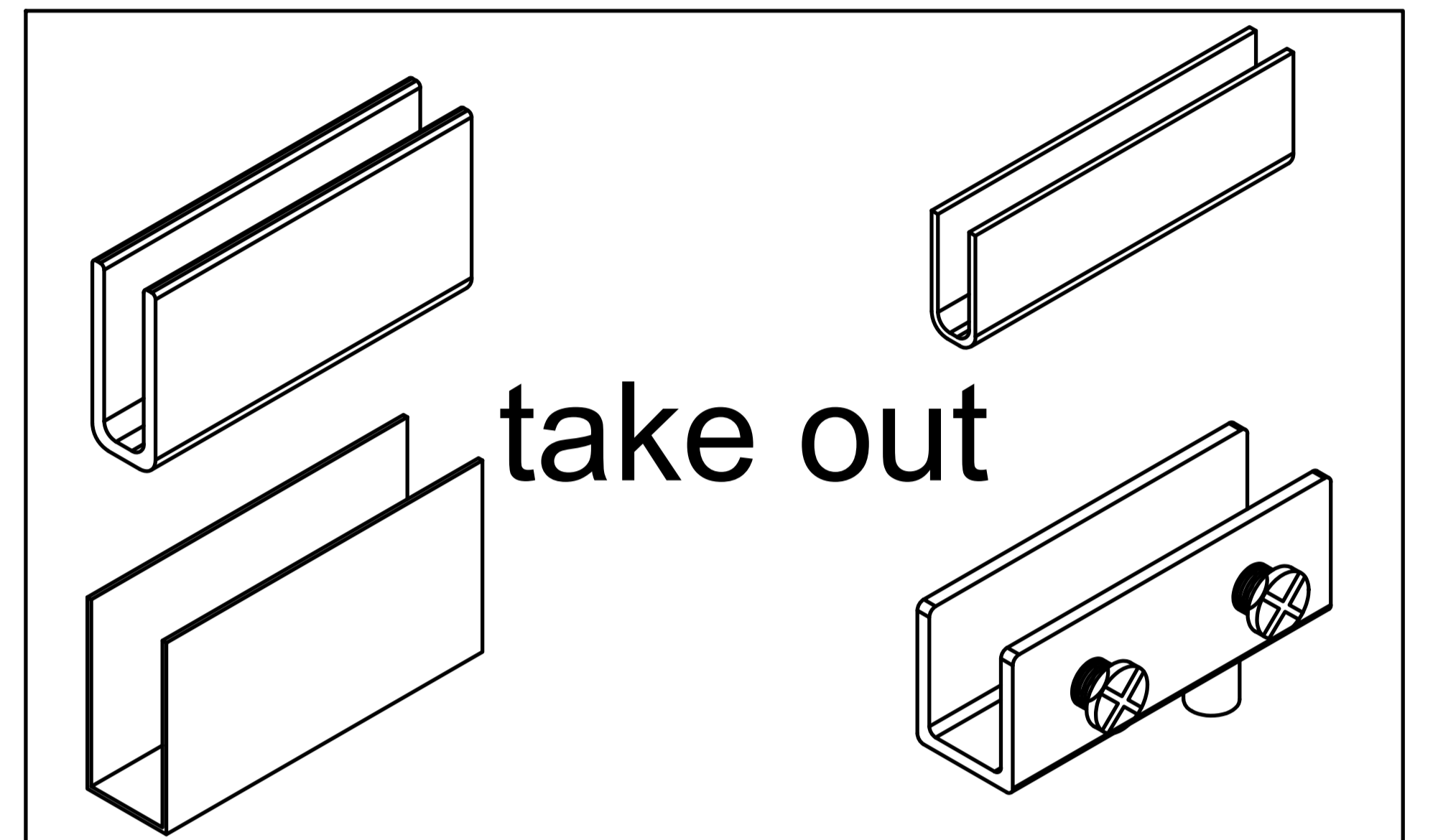


Step 35

First, loosen the screws.

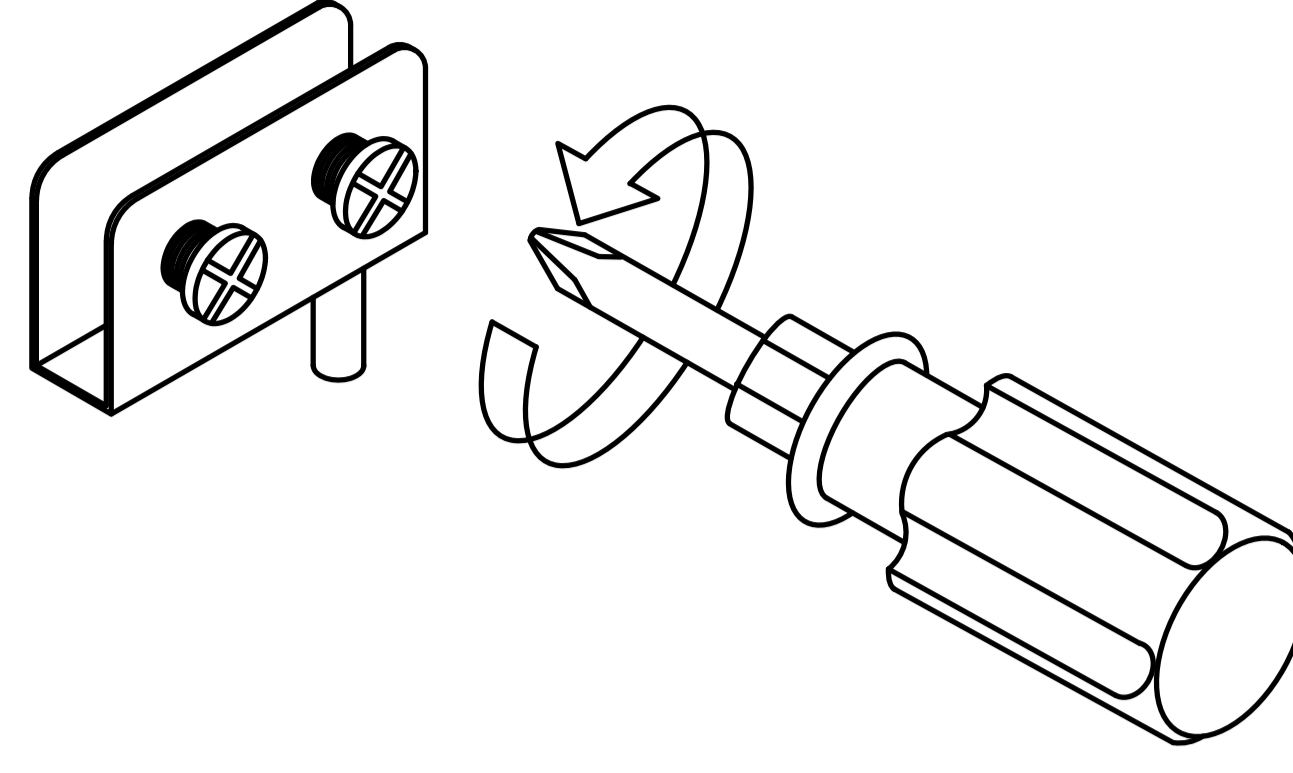


1. Take out the white foam pad
2. Fit the pad around the edge of the glass panel
3. Then slide the metal clamp over the assembled position
4. Finally, tighten the screws securely

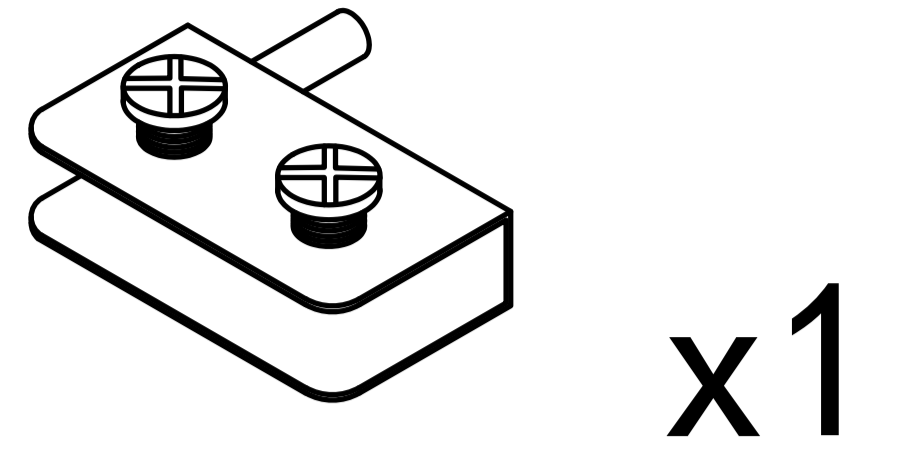
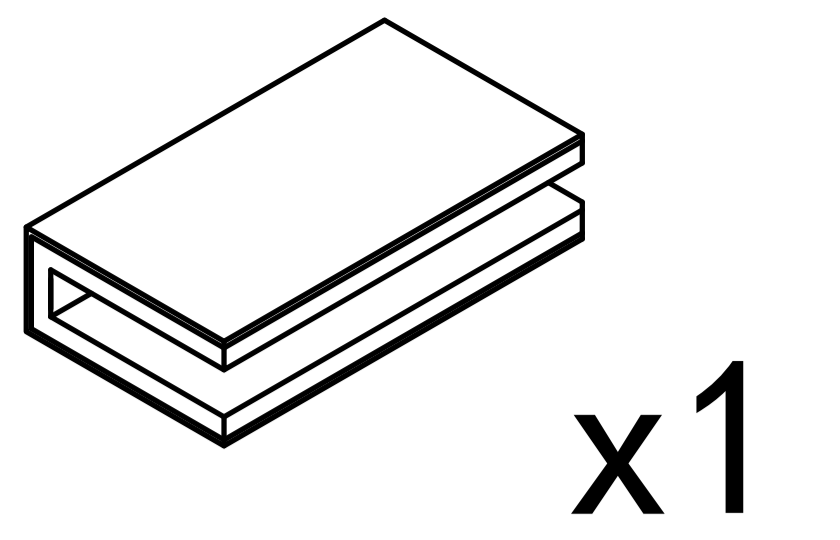


Step 36

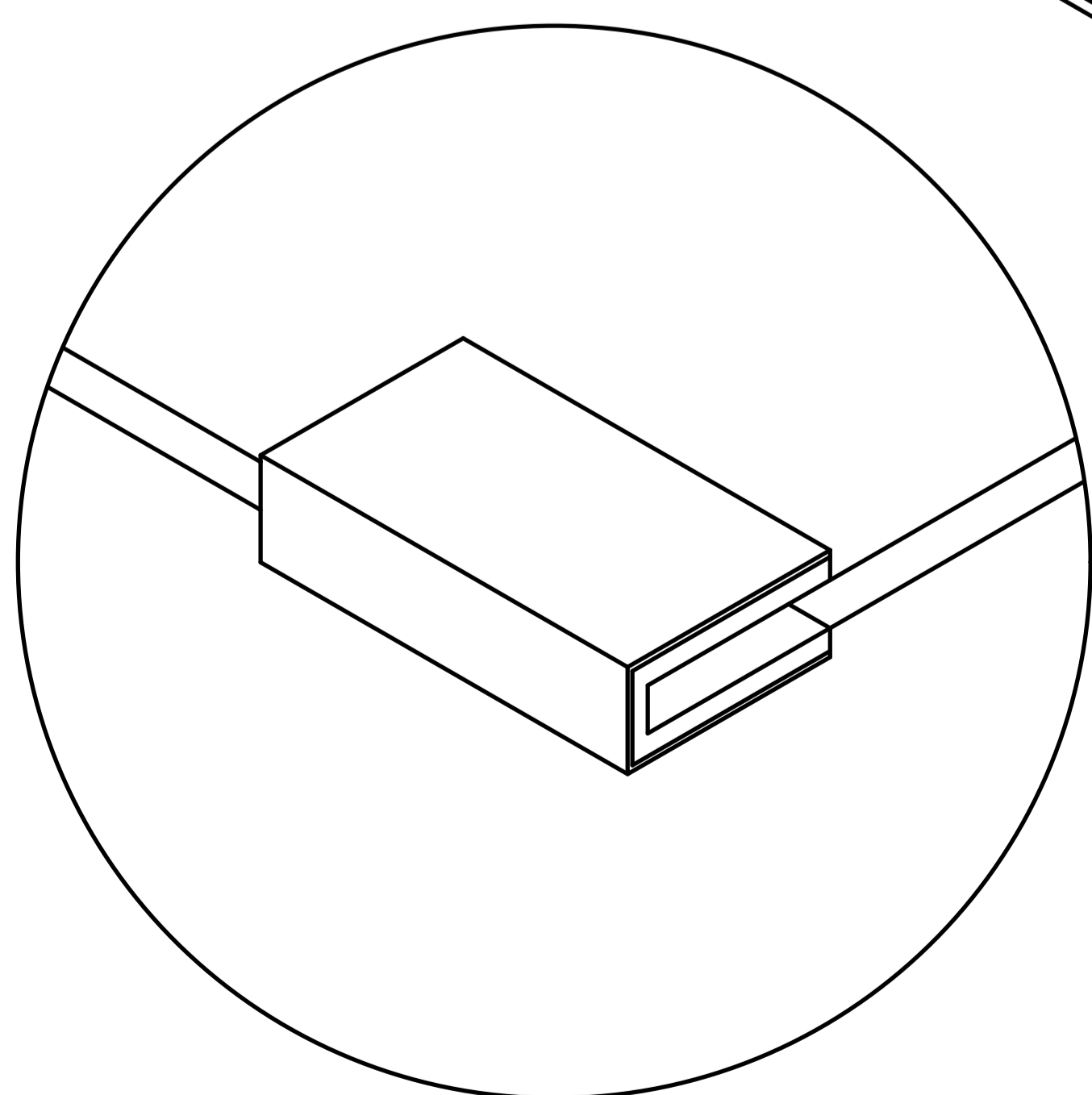
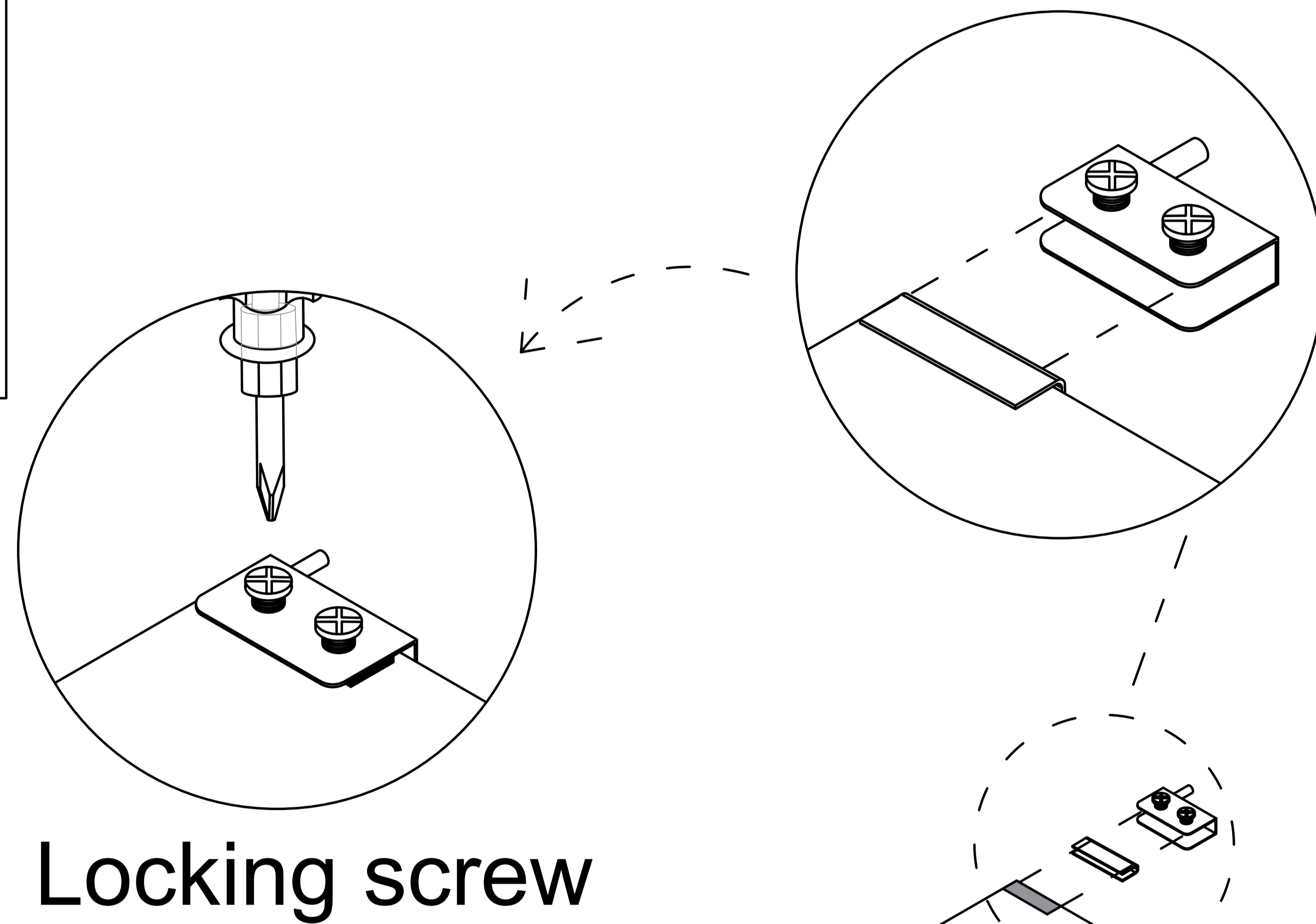
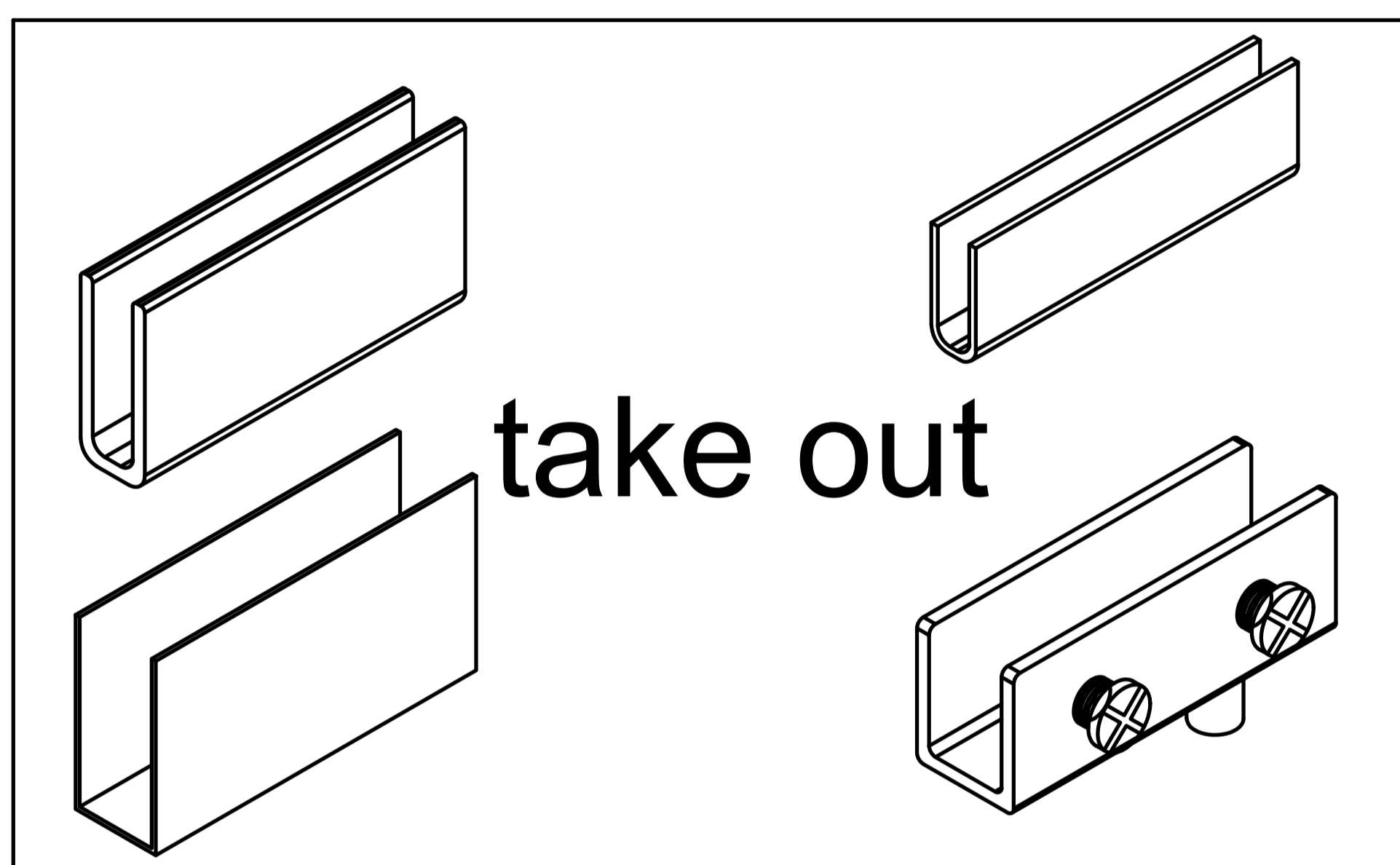
First, loosen
the screws.



8

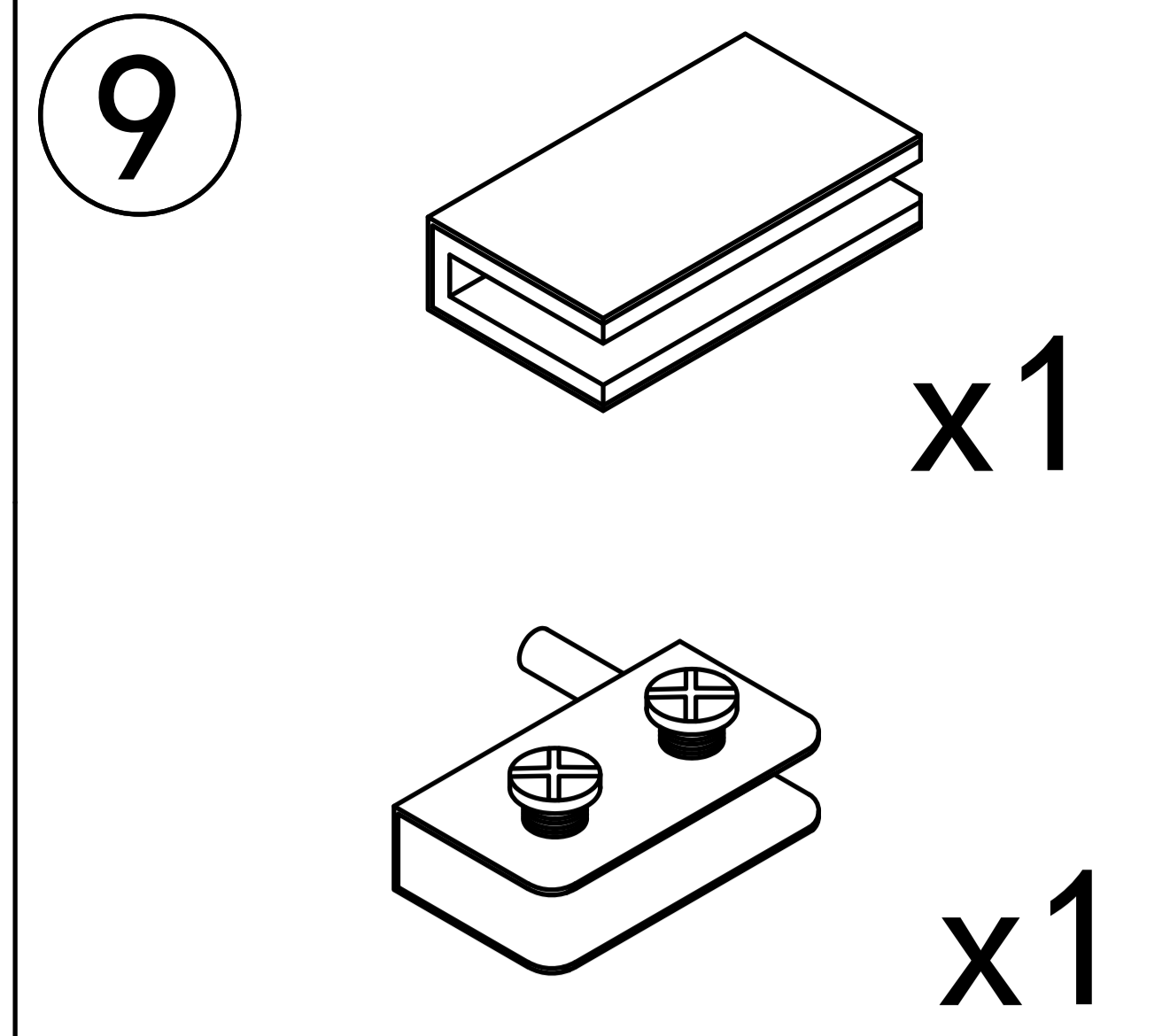
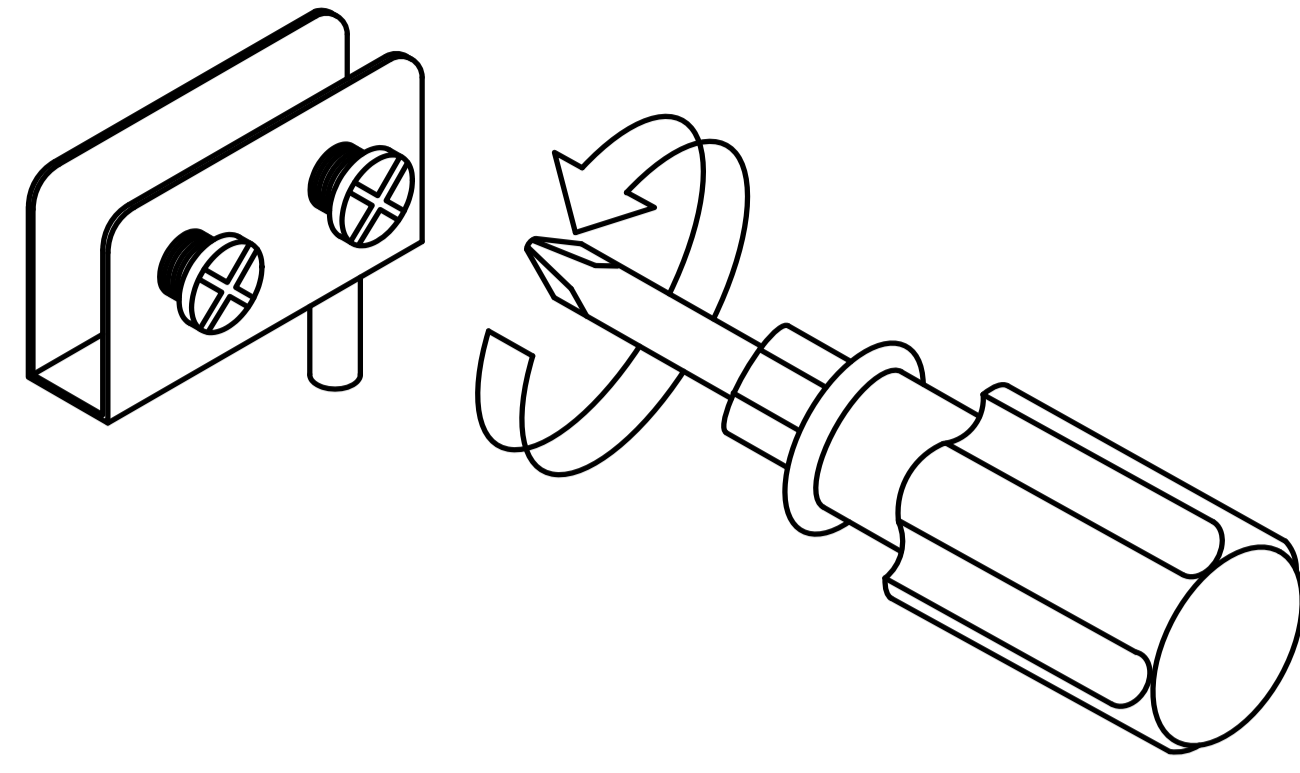


1. Take out the white foam pad
2. Fit the pad around the edge of the glass panel
3. Then slide the metal clamp over the assembled position
4. Finally, tighten the screws securely

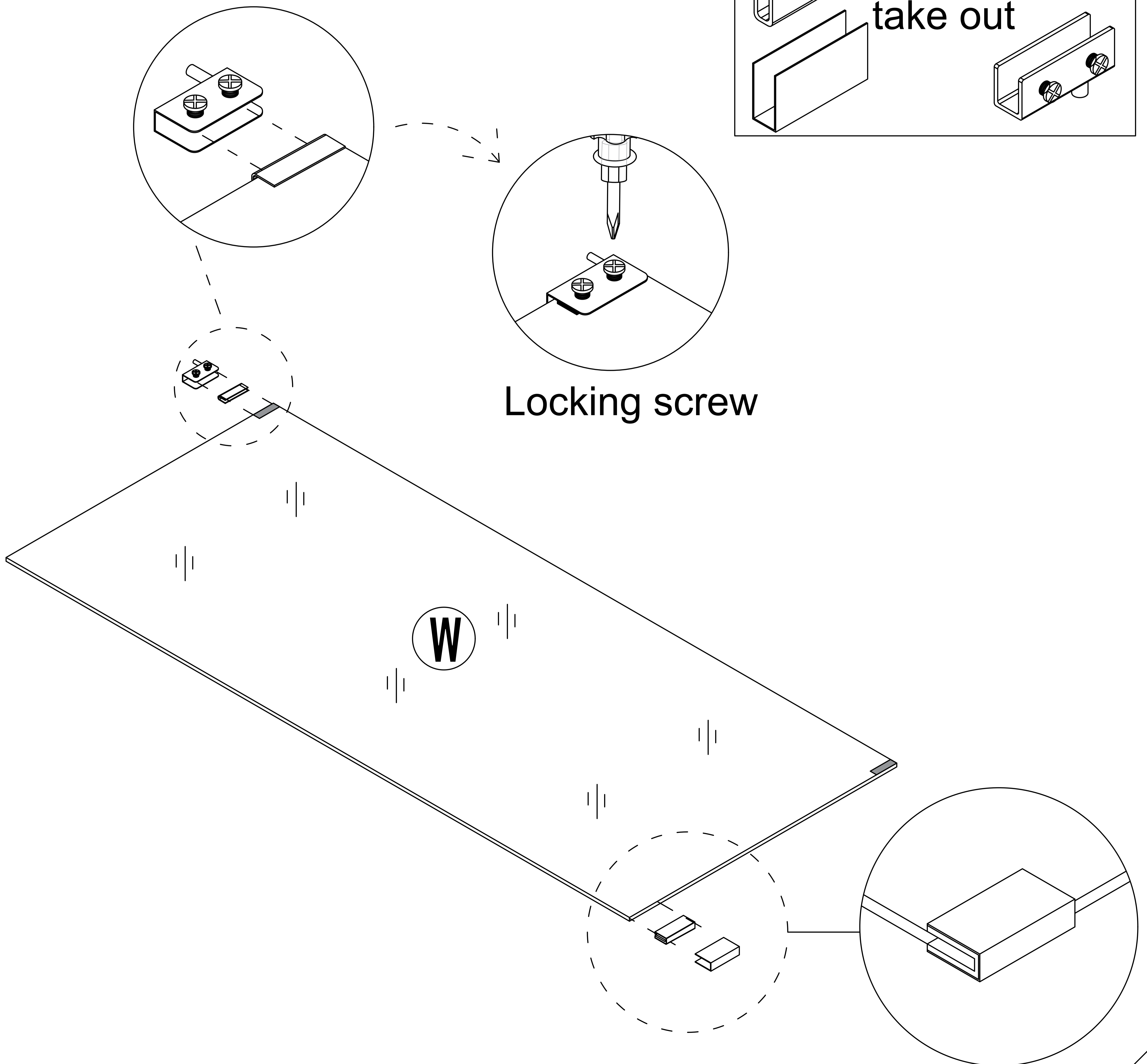
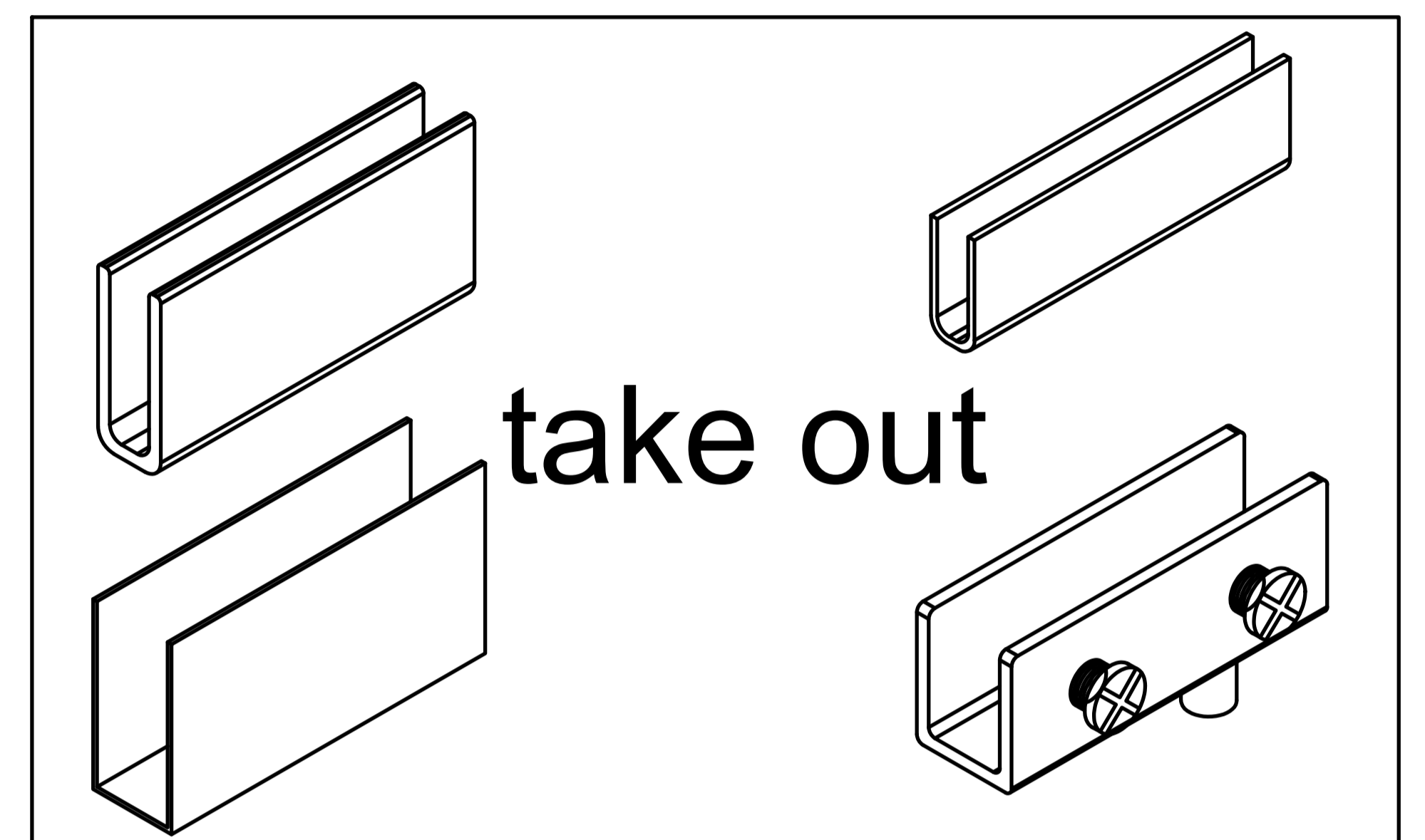


Step 37

First, loosen the screws.

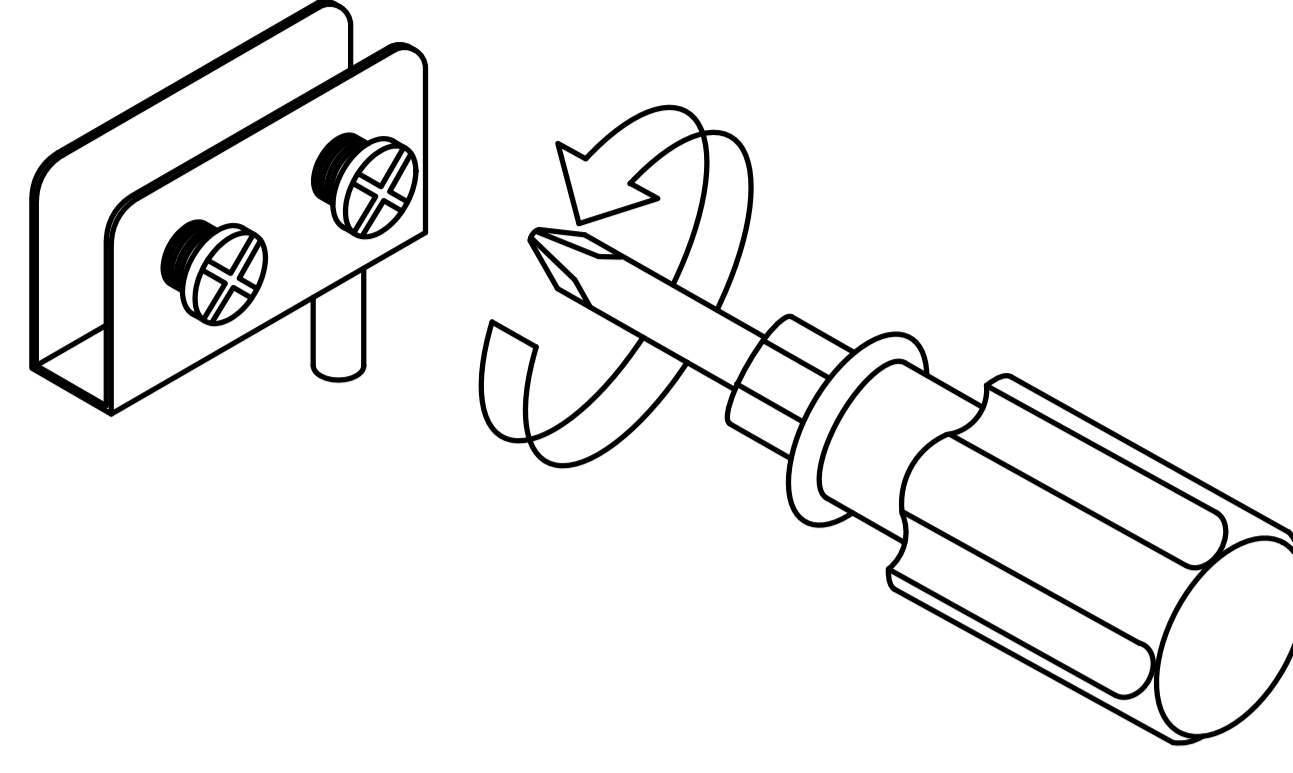


1. Take out the white foam pad
2. Fit the pad around the edge of the glass panel
3. Then slide the metal clamp over the assembled position
4. Finally, tighten the screws securely

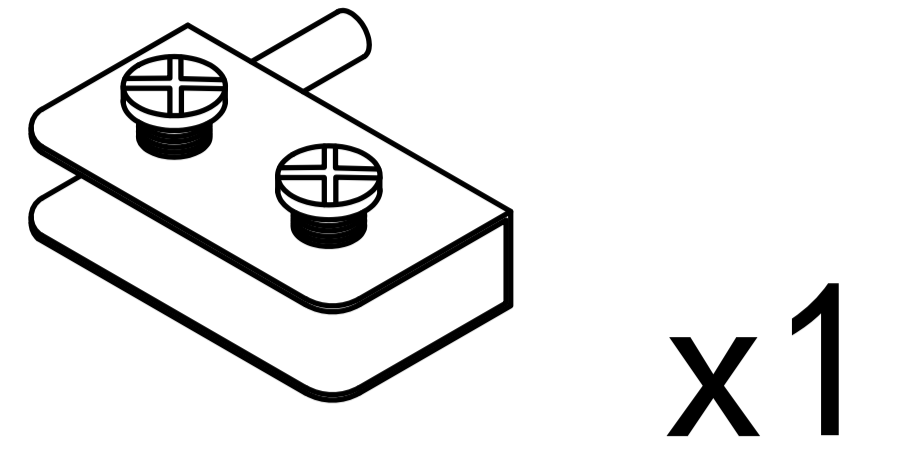
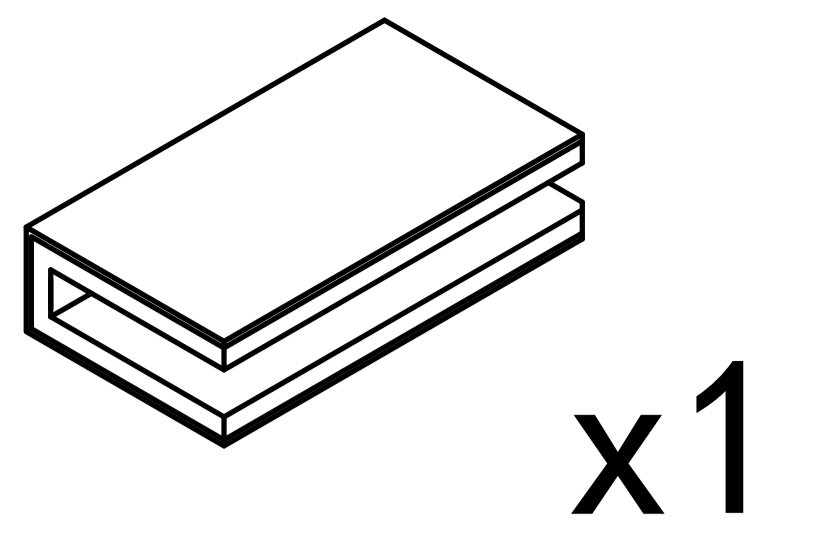


Step 38

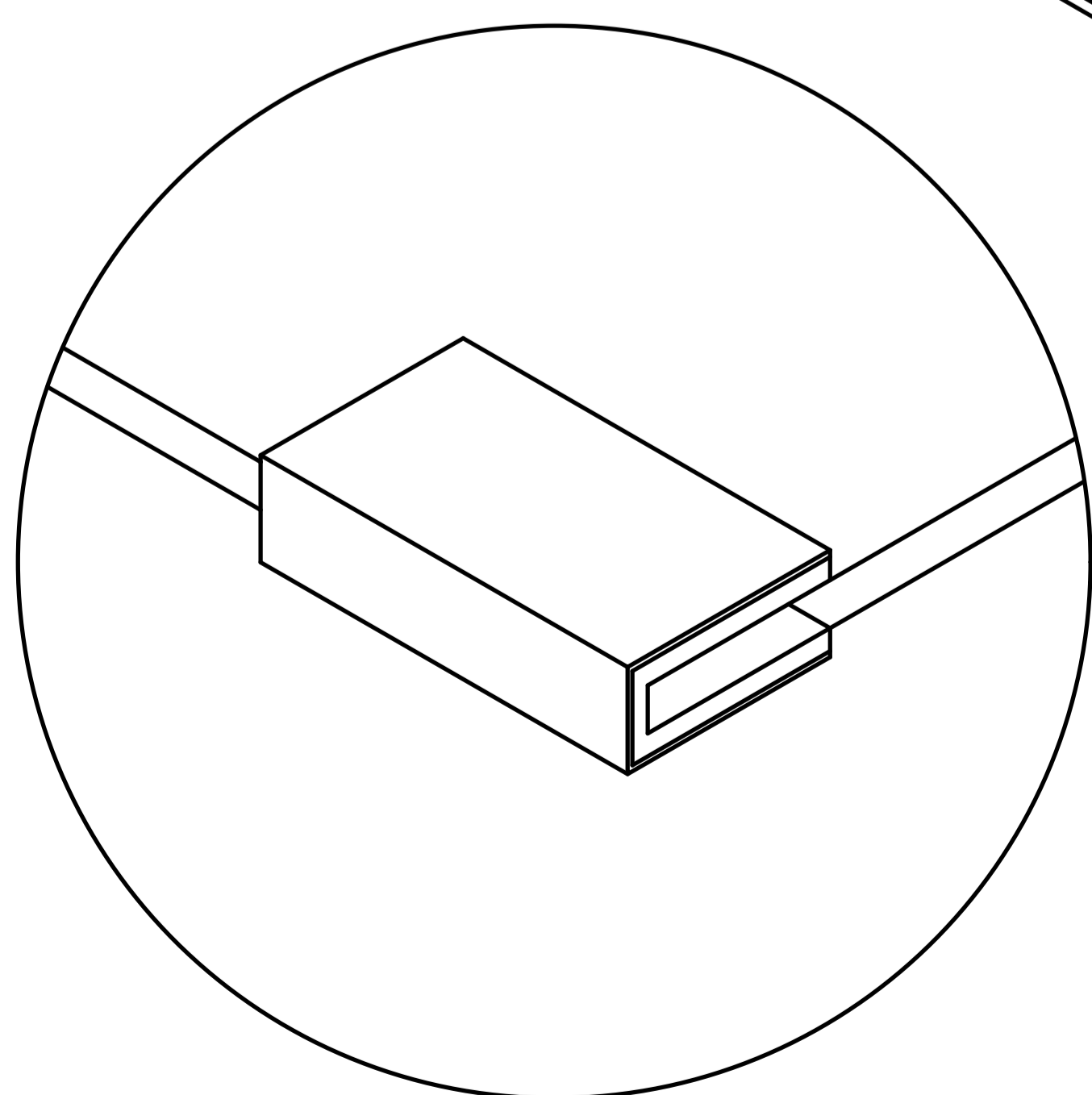
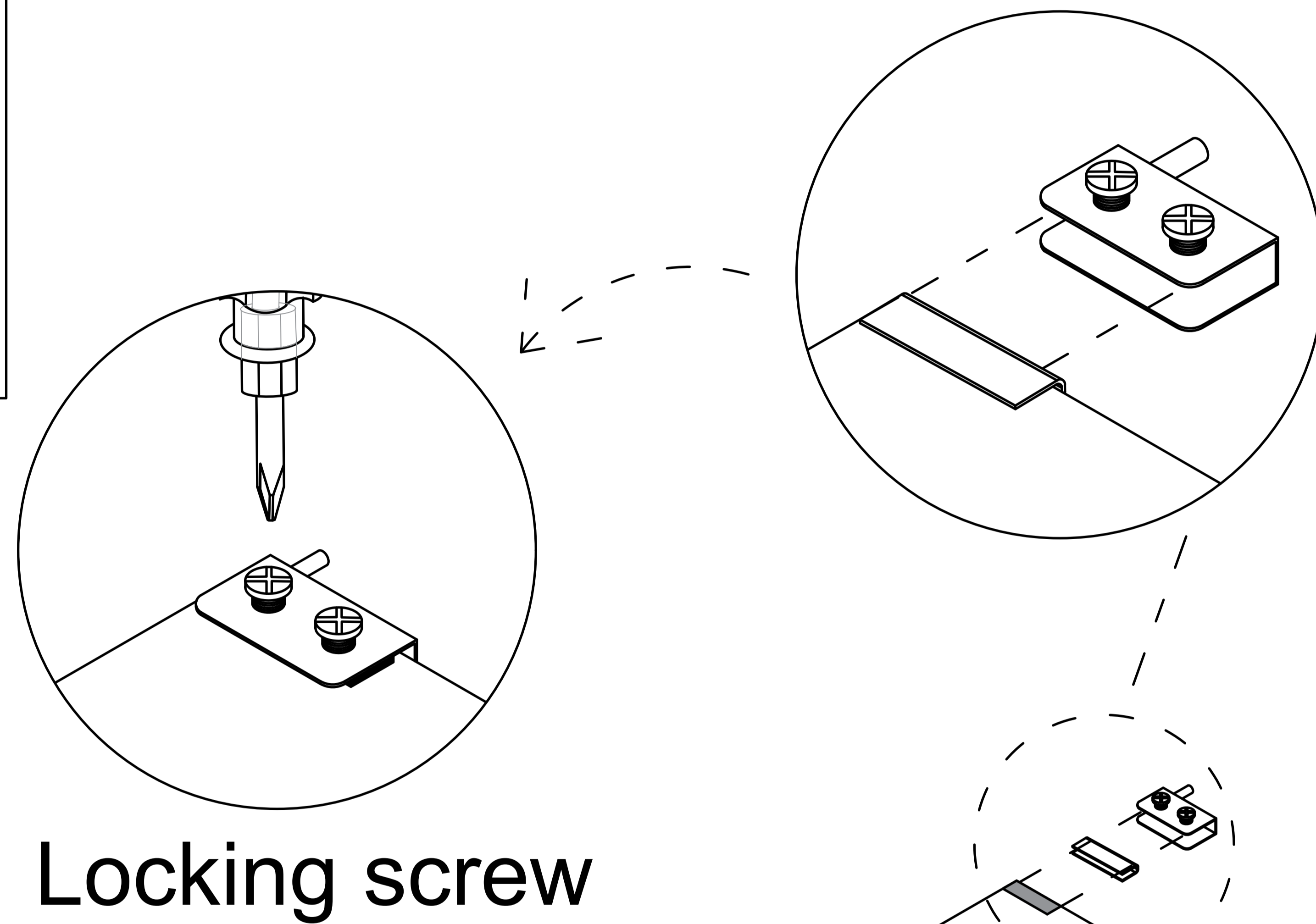
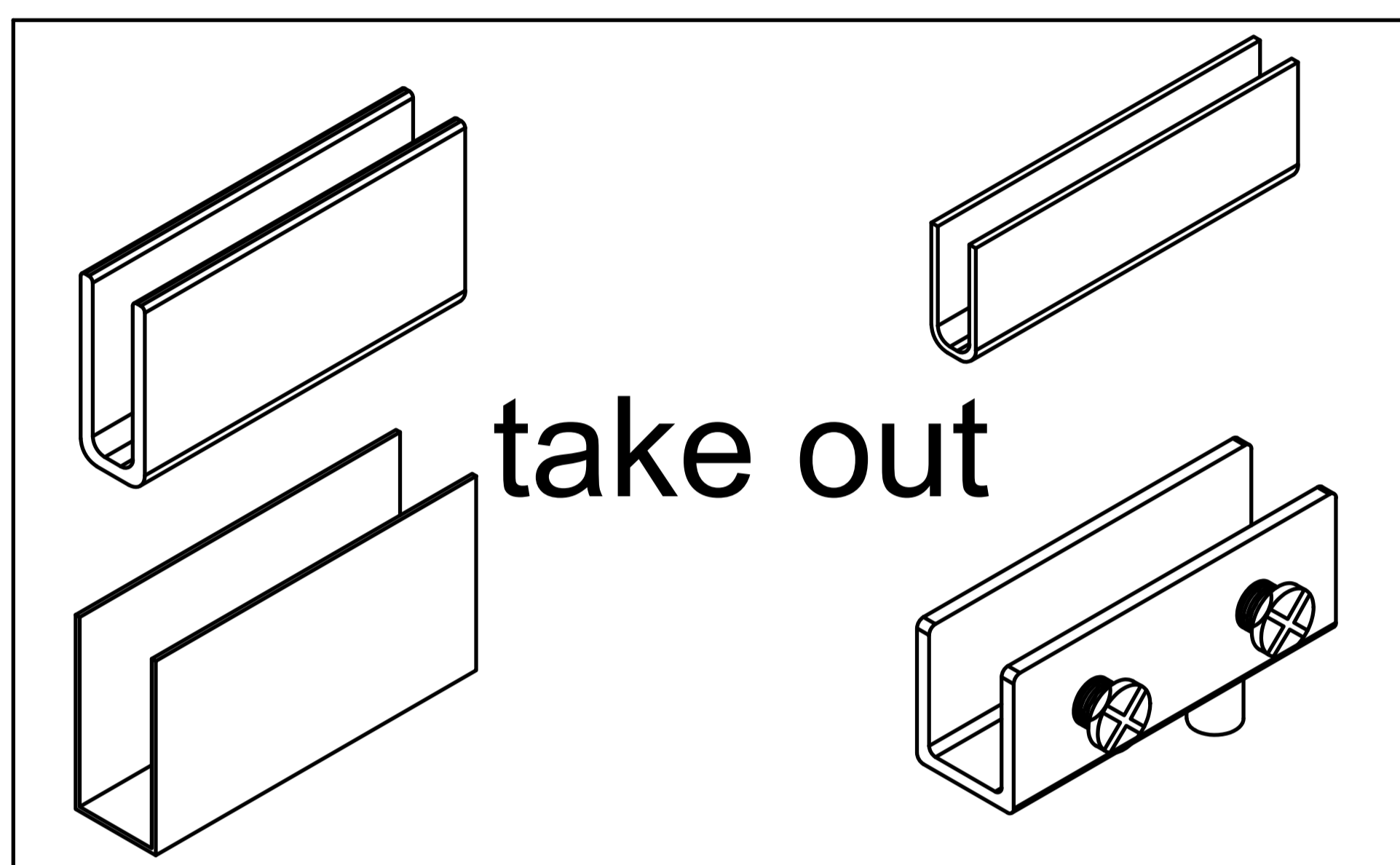
First, loosen
the screws.



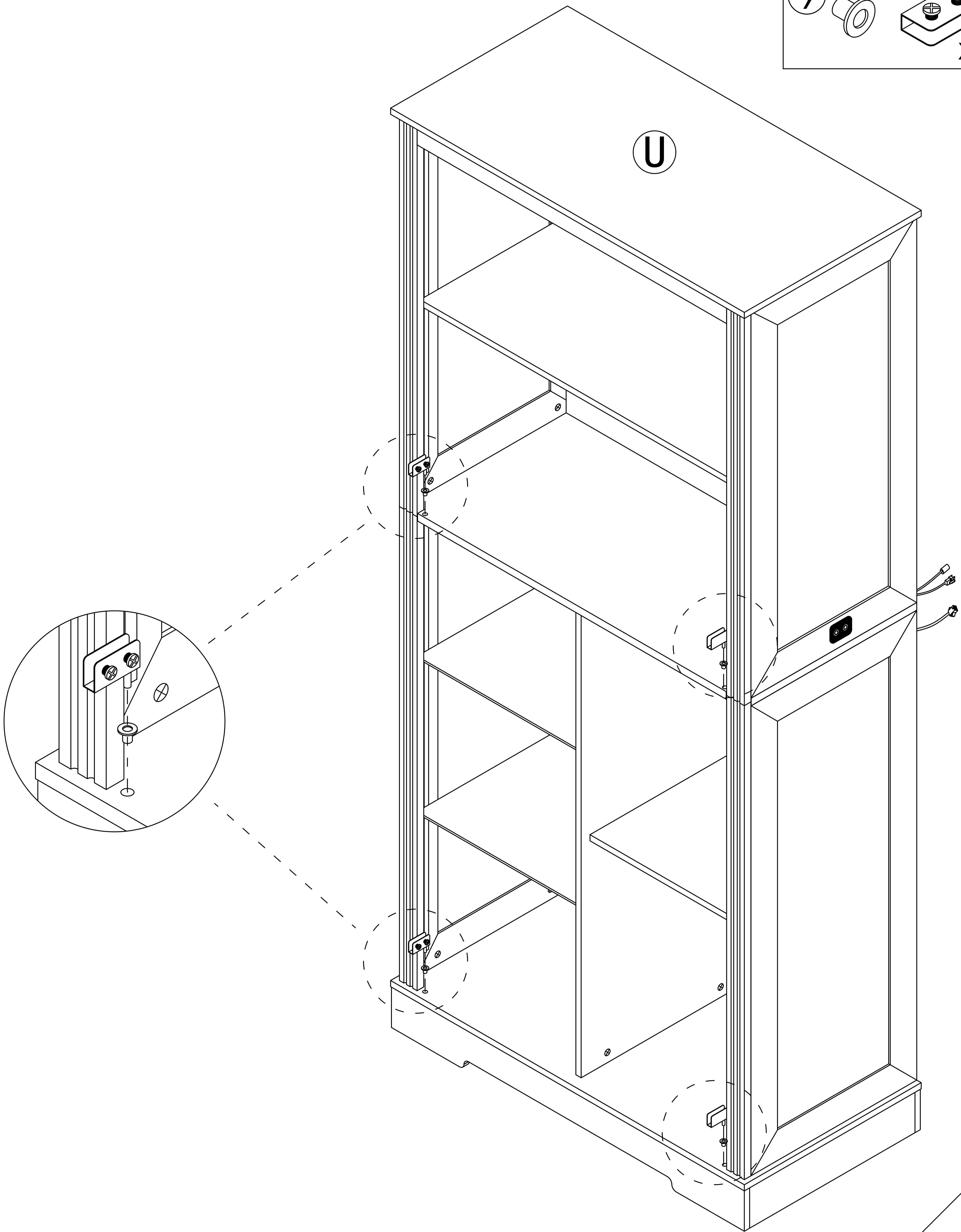
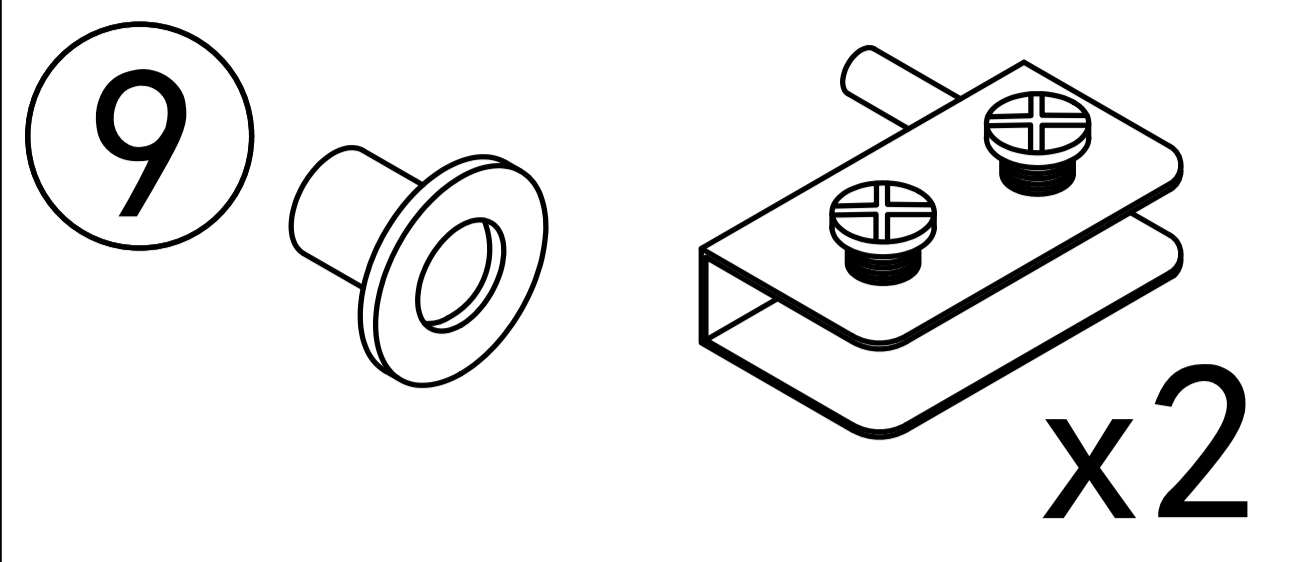
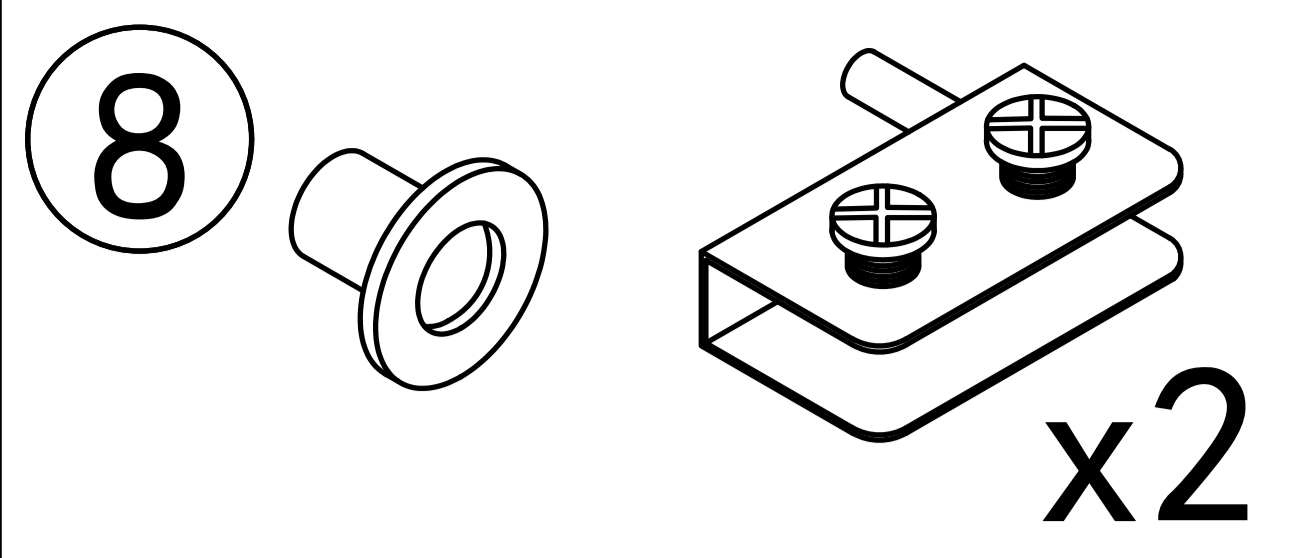
9



1. Take out the white foam pad
2. Fit the pad around the edge of the glass panel
3. Then slide the metal clamp over the assembled position
4. Finally, tighten the screws securely

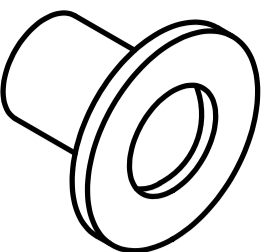
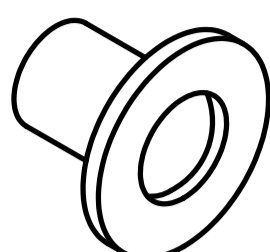


Step 39

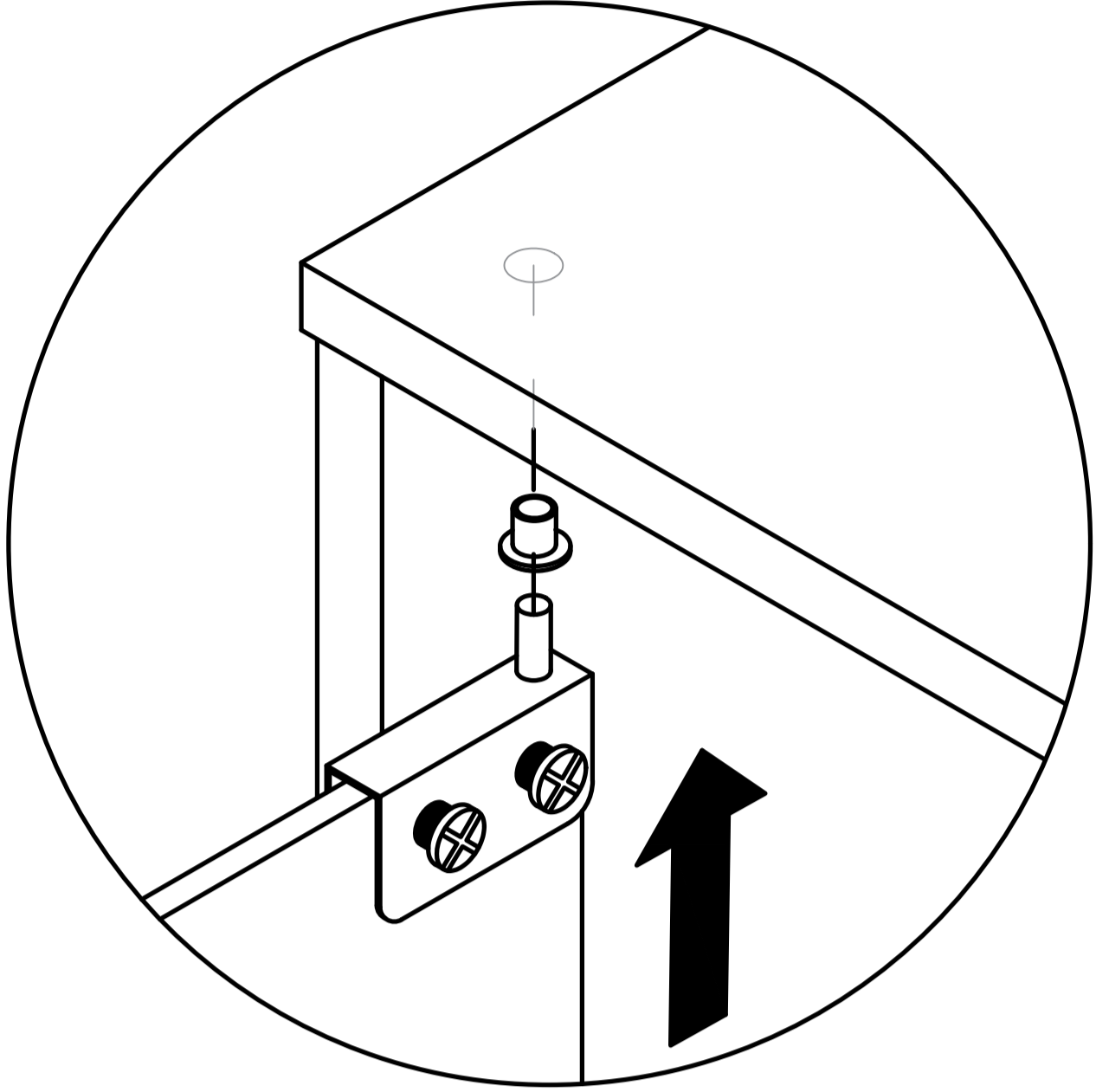


Step 40

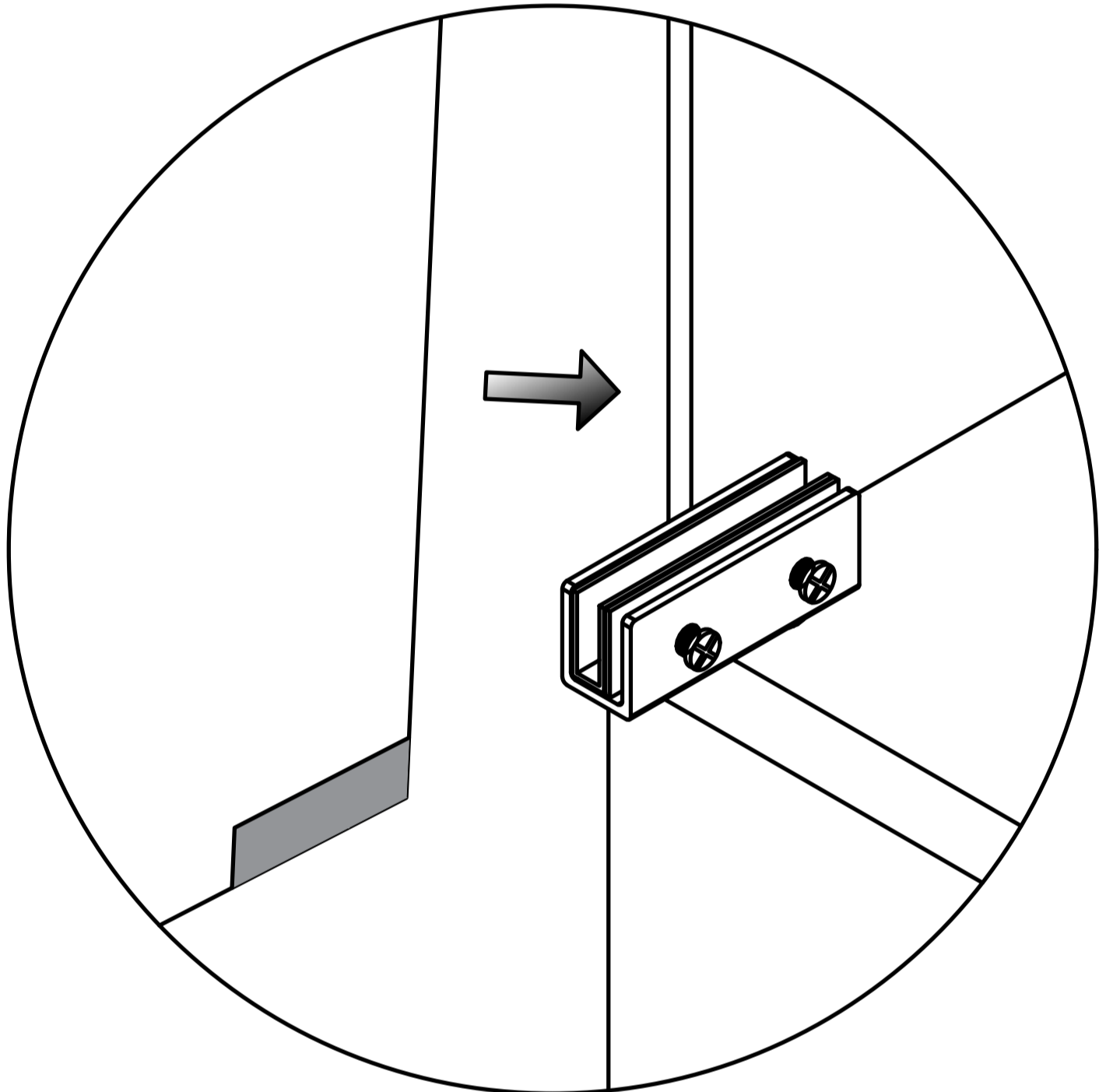
Pay attention to the direction of the door hinge during installation

8		x1
9		x1

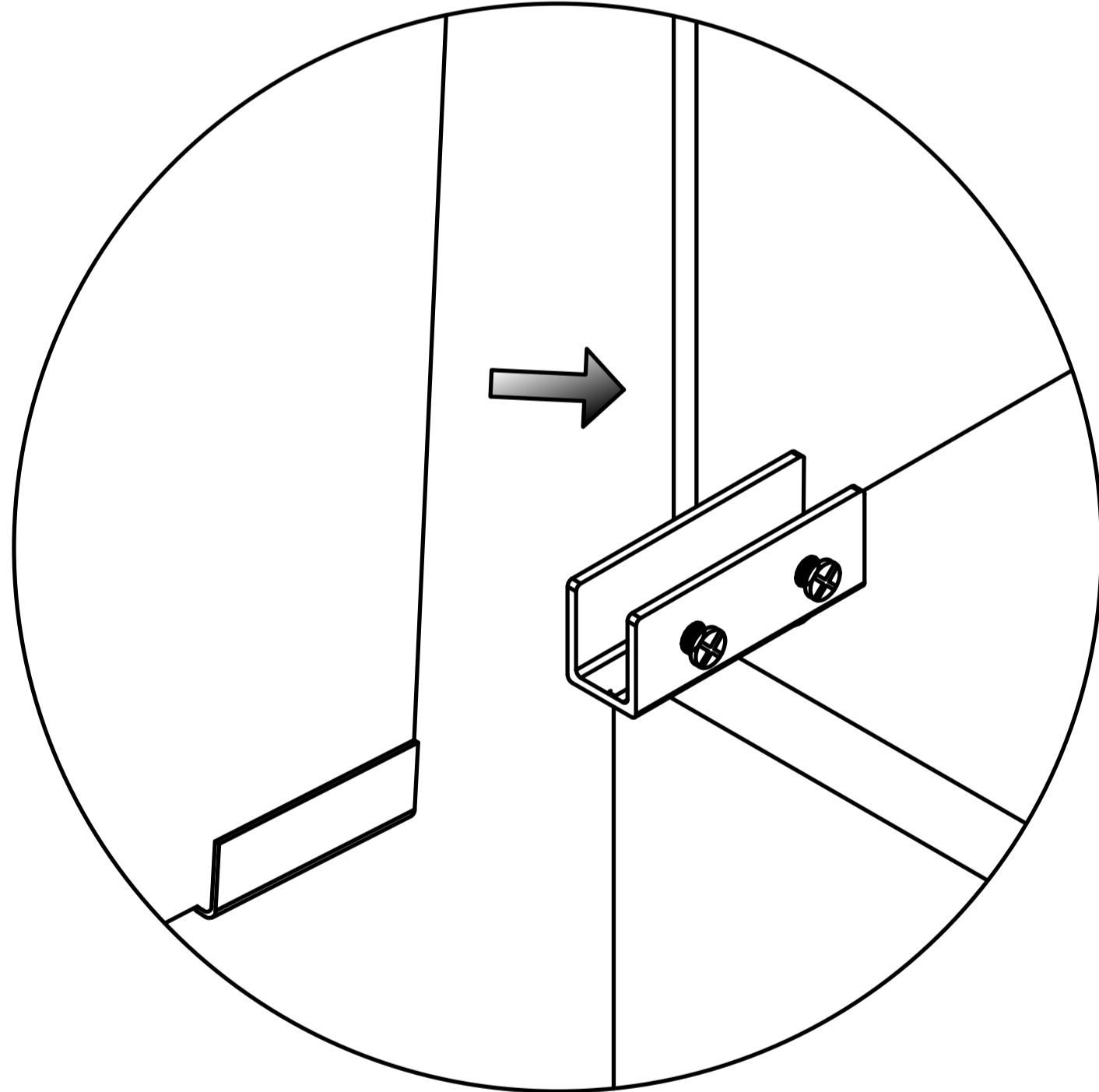
When installing a glass door, it is recommended to have two people install it to avoid the glass door colliding or hitting oneself.



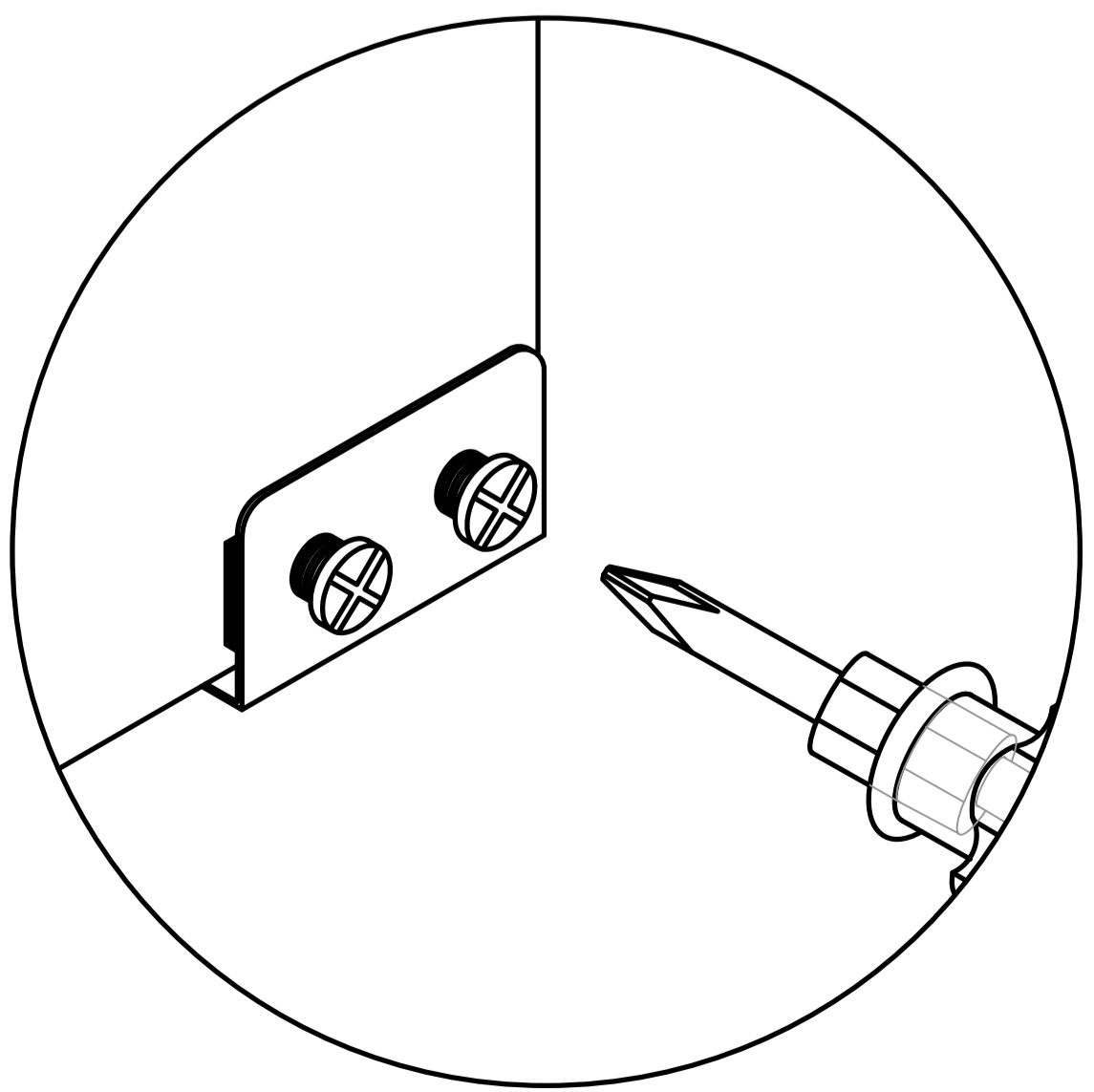
first



second

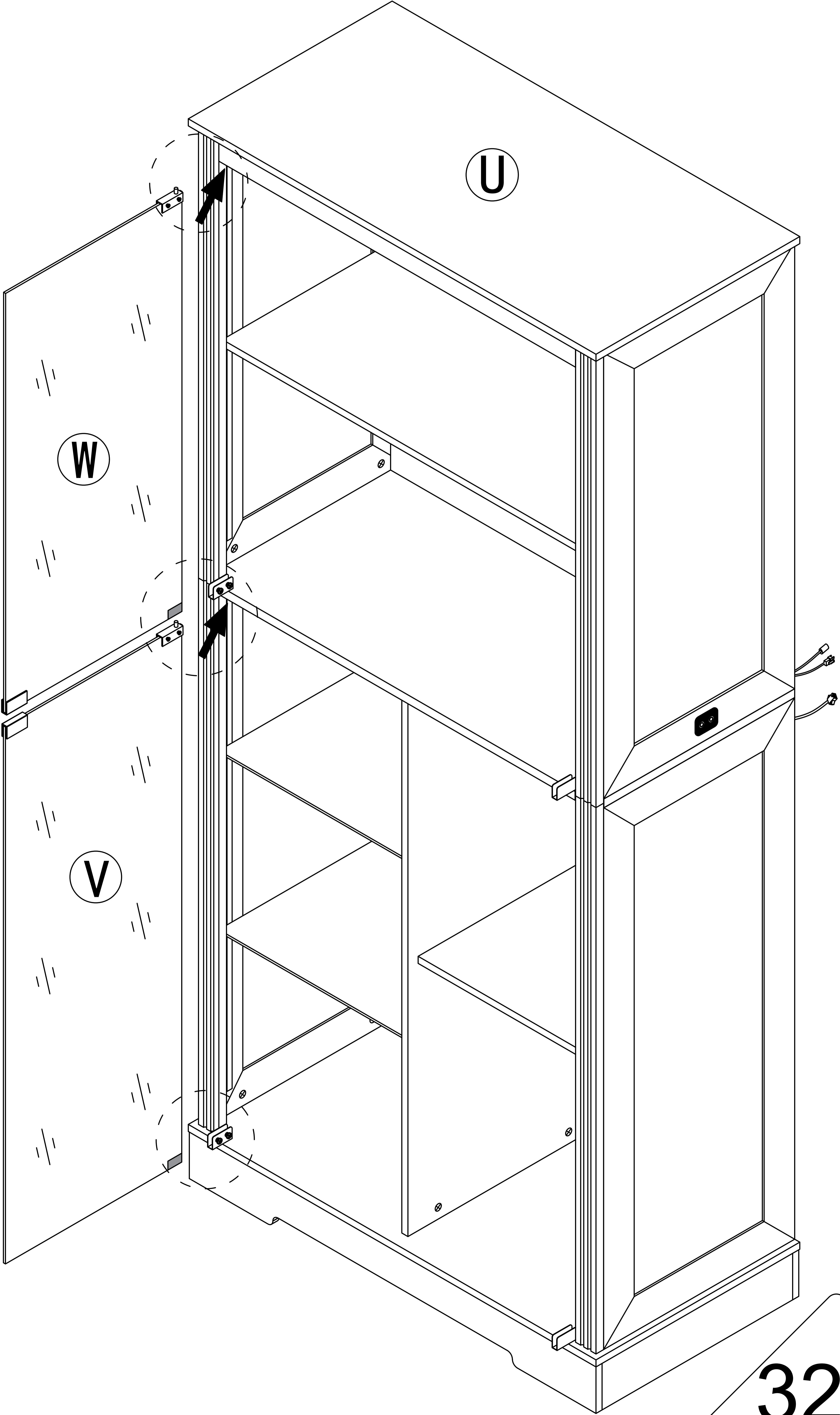


Insert the glass into the door hinge's slot.

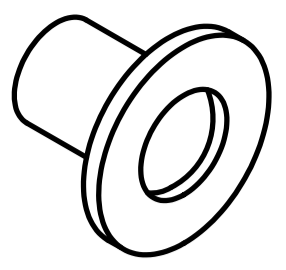
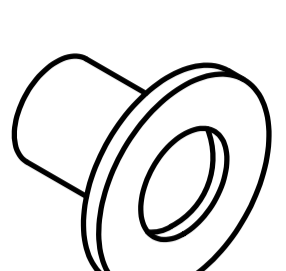


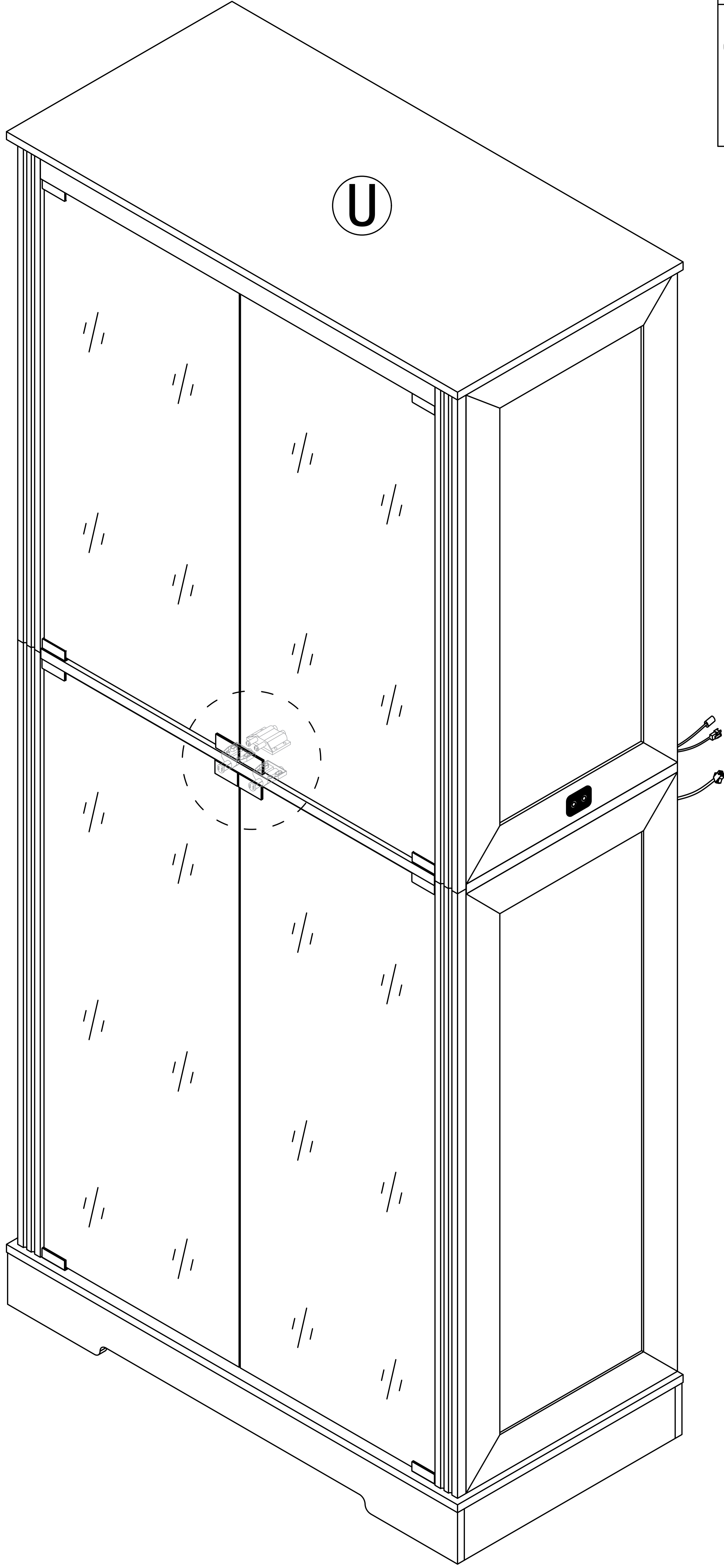
third

Locking screw



Step 41

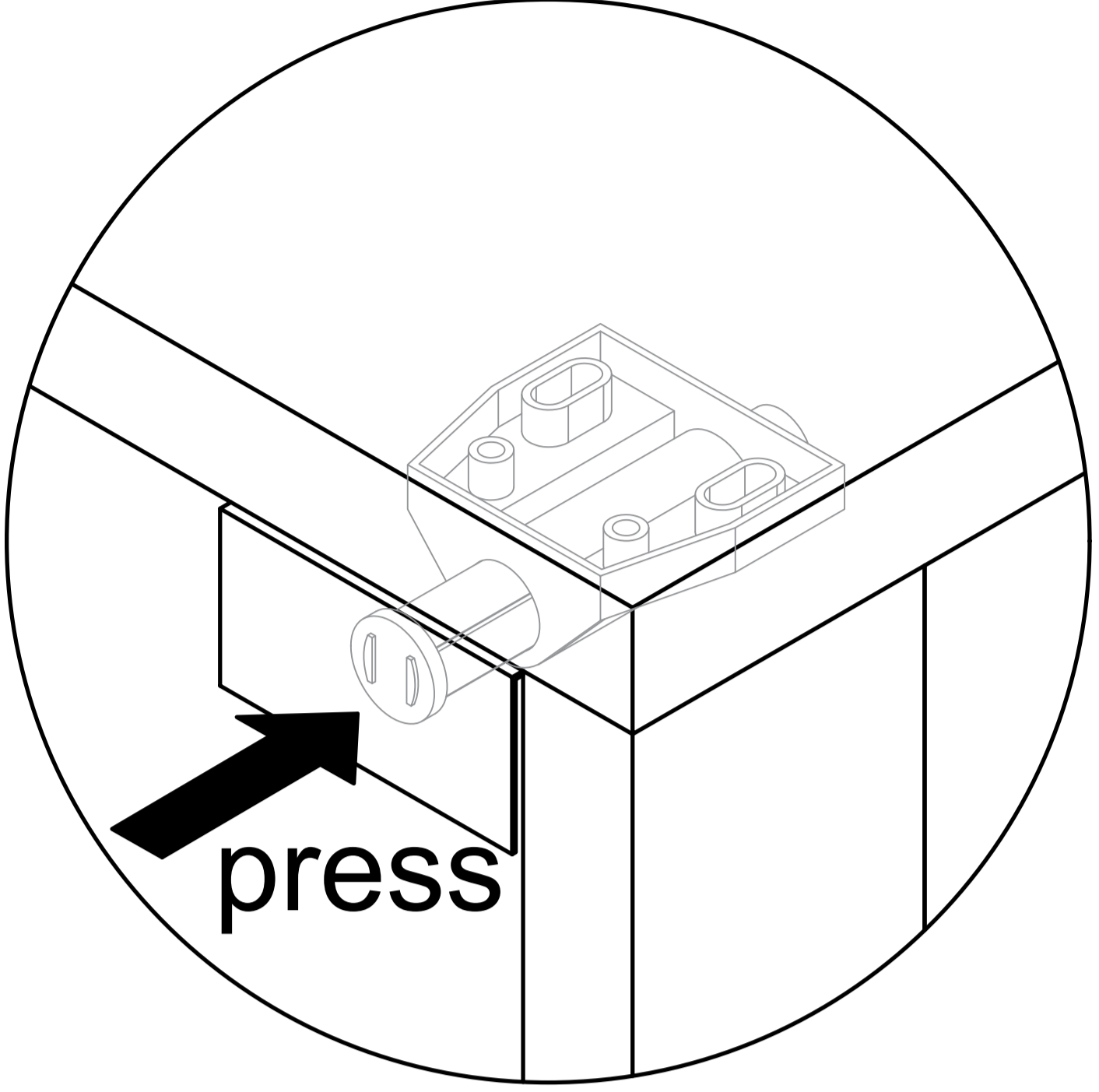
- | | | |
|---|---|----|
| 8 |  | x1 |
| 9 |  | x1 |



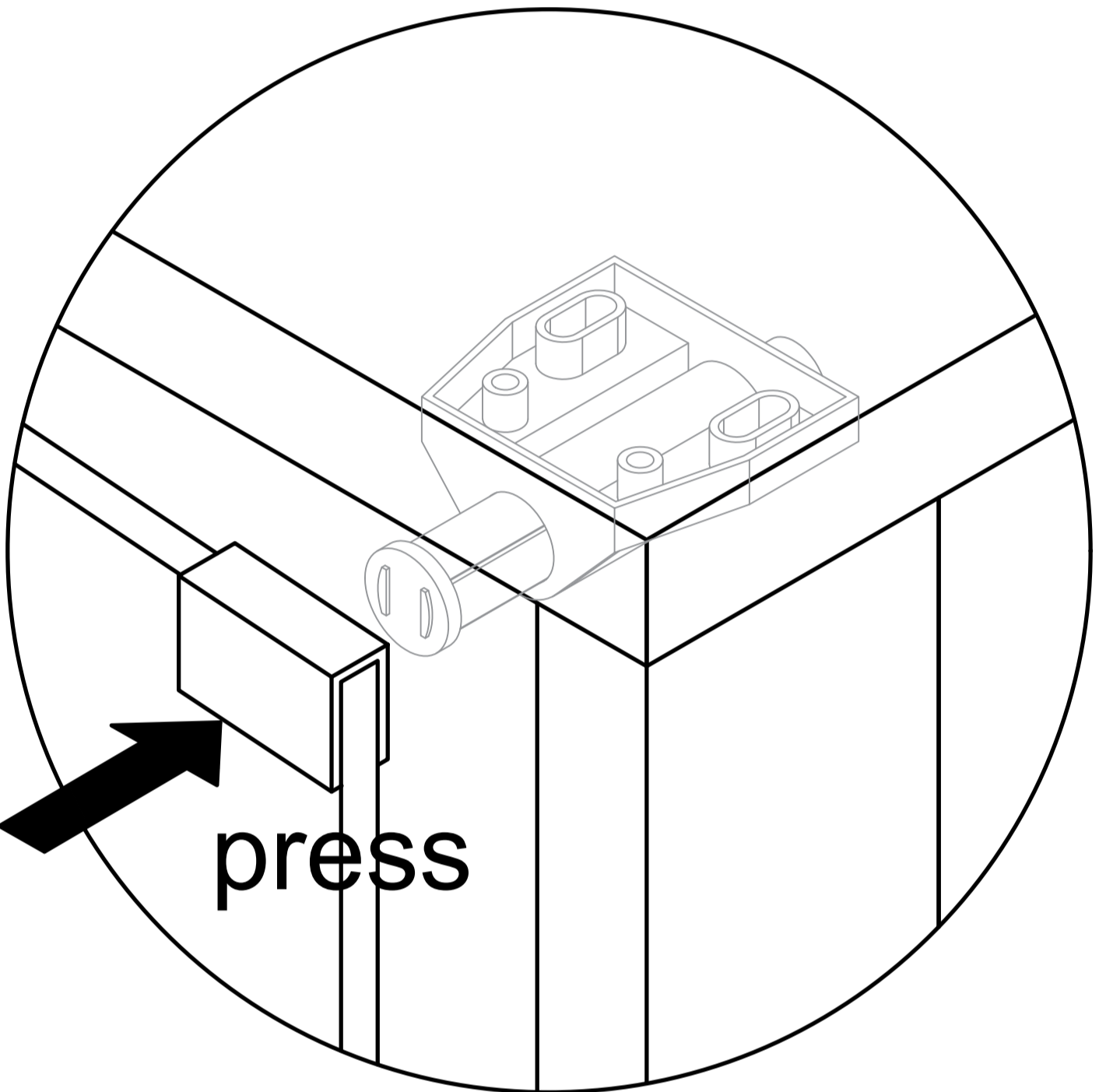
Repeat the door installation steps.

Step 42

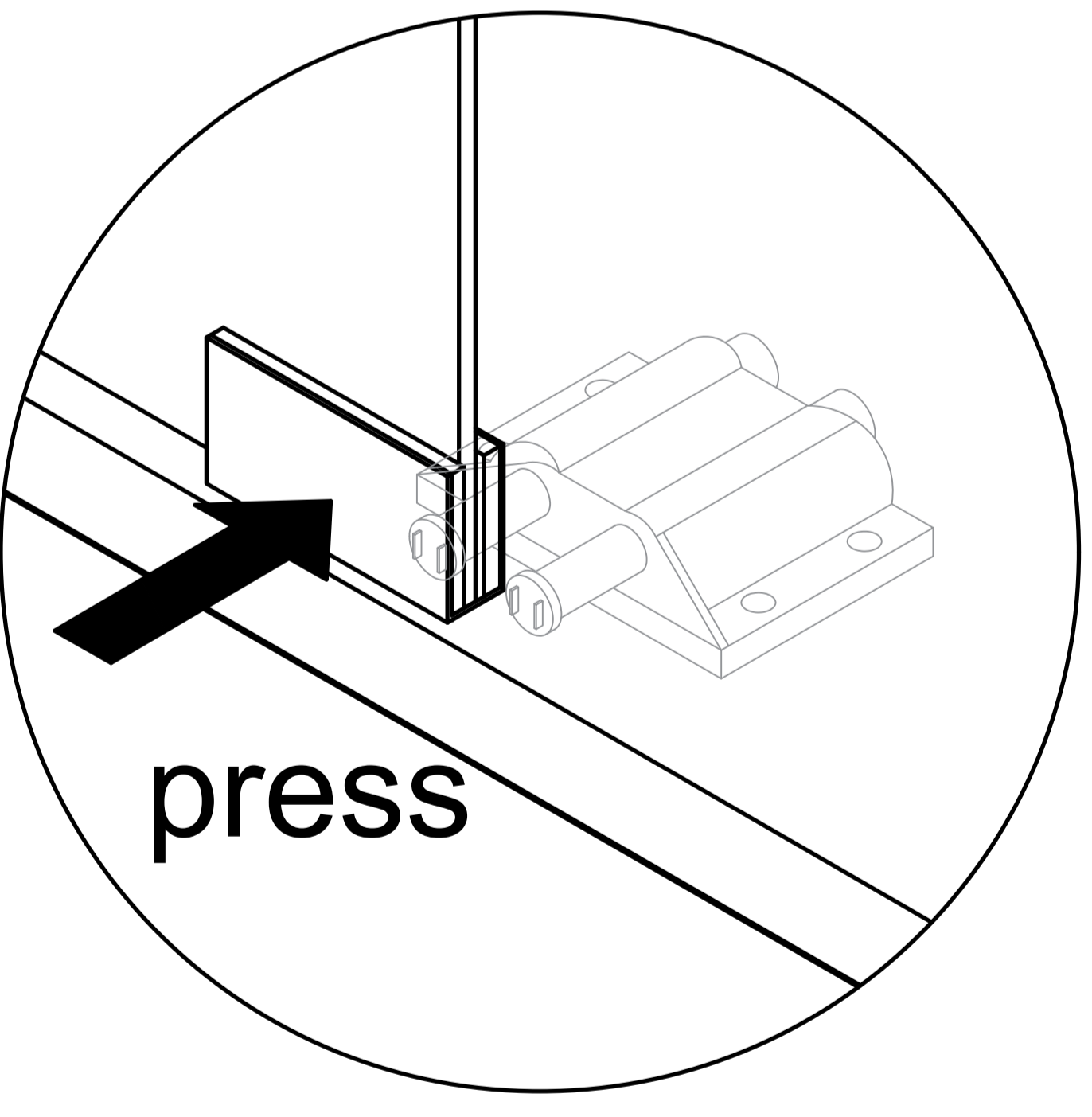
Open the glass door



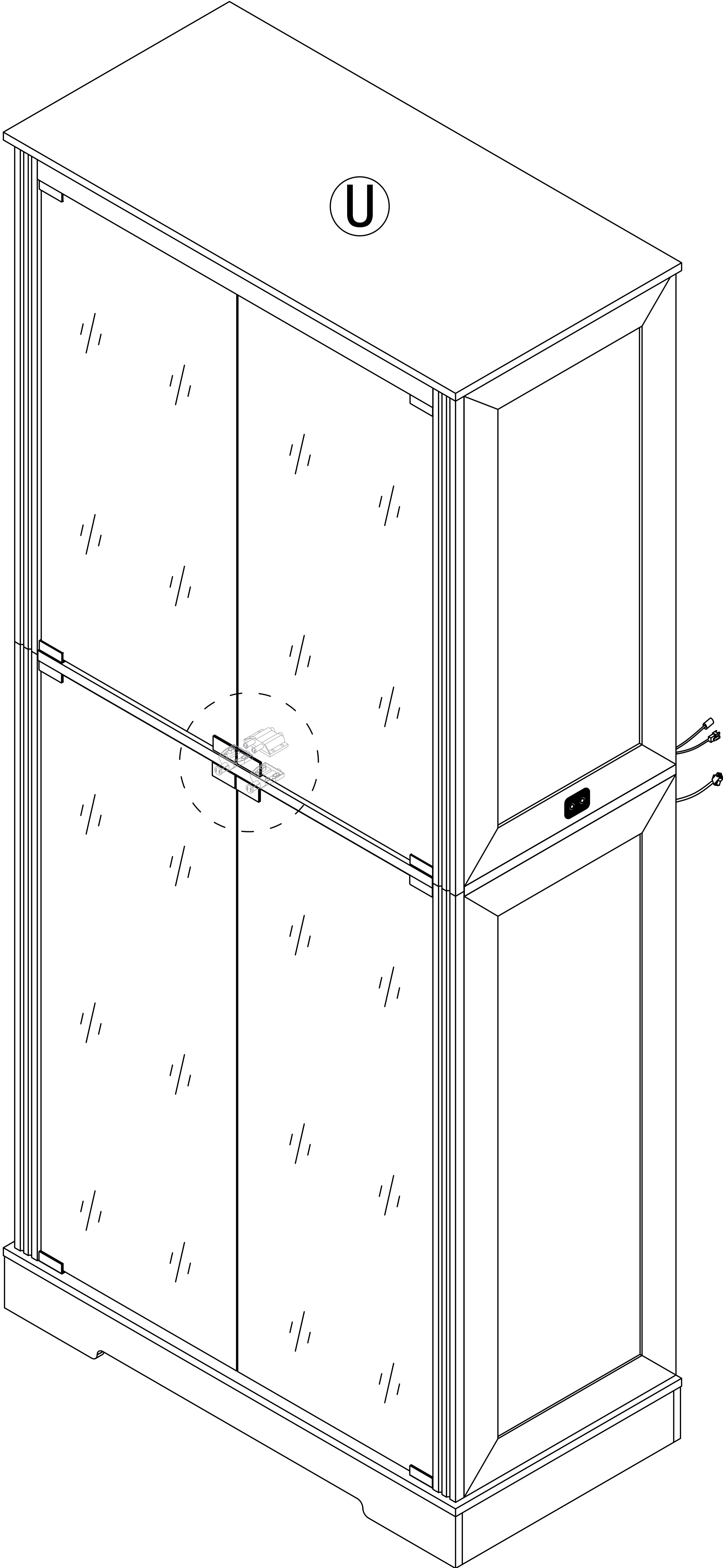
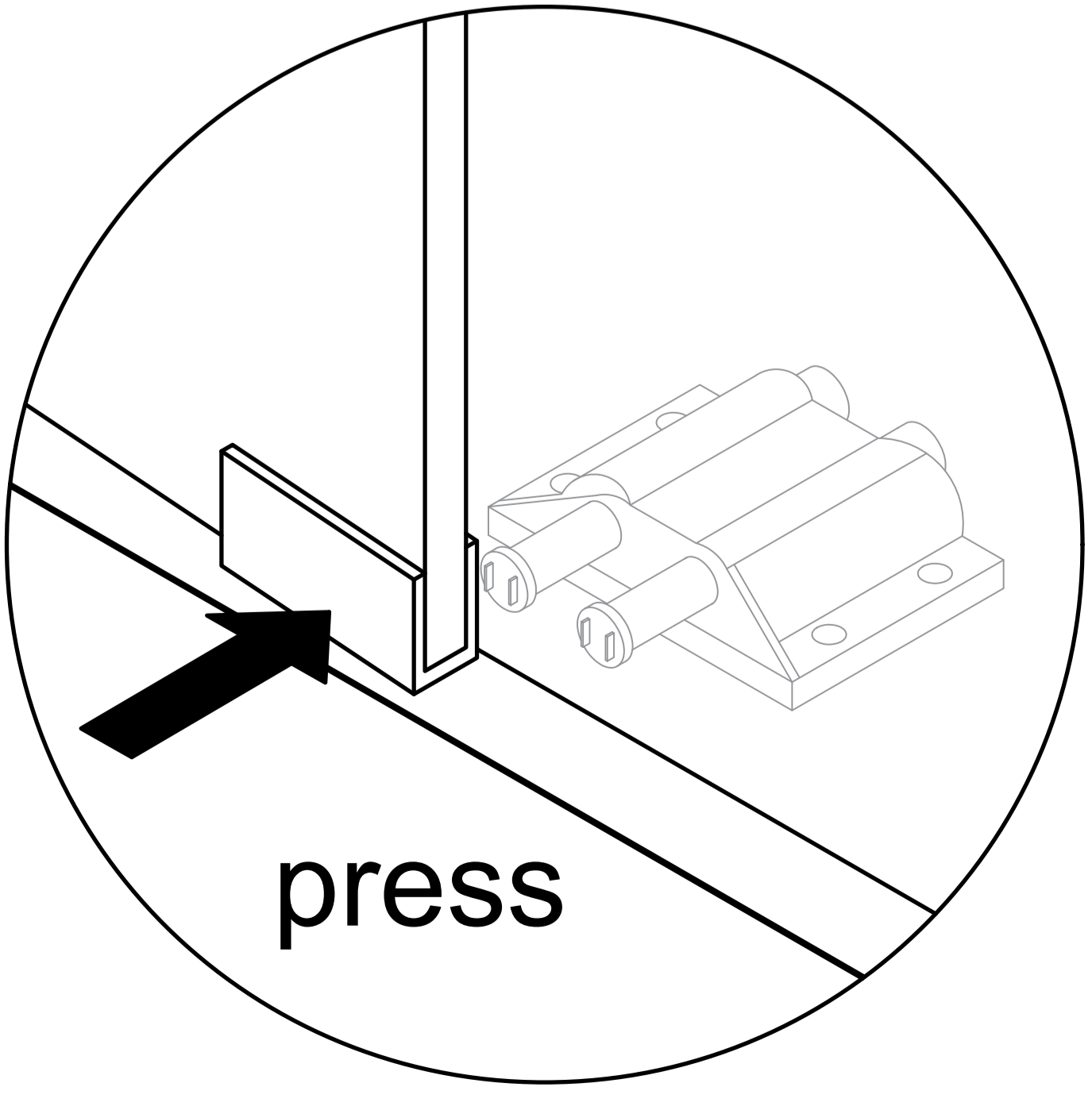
Close the glass door



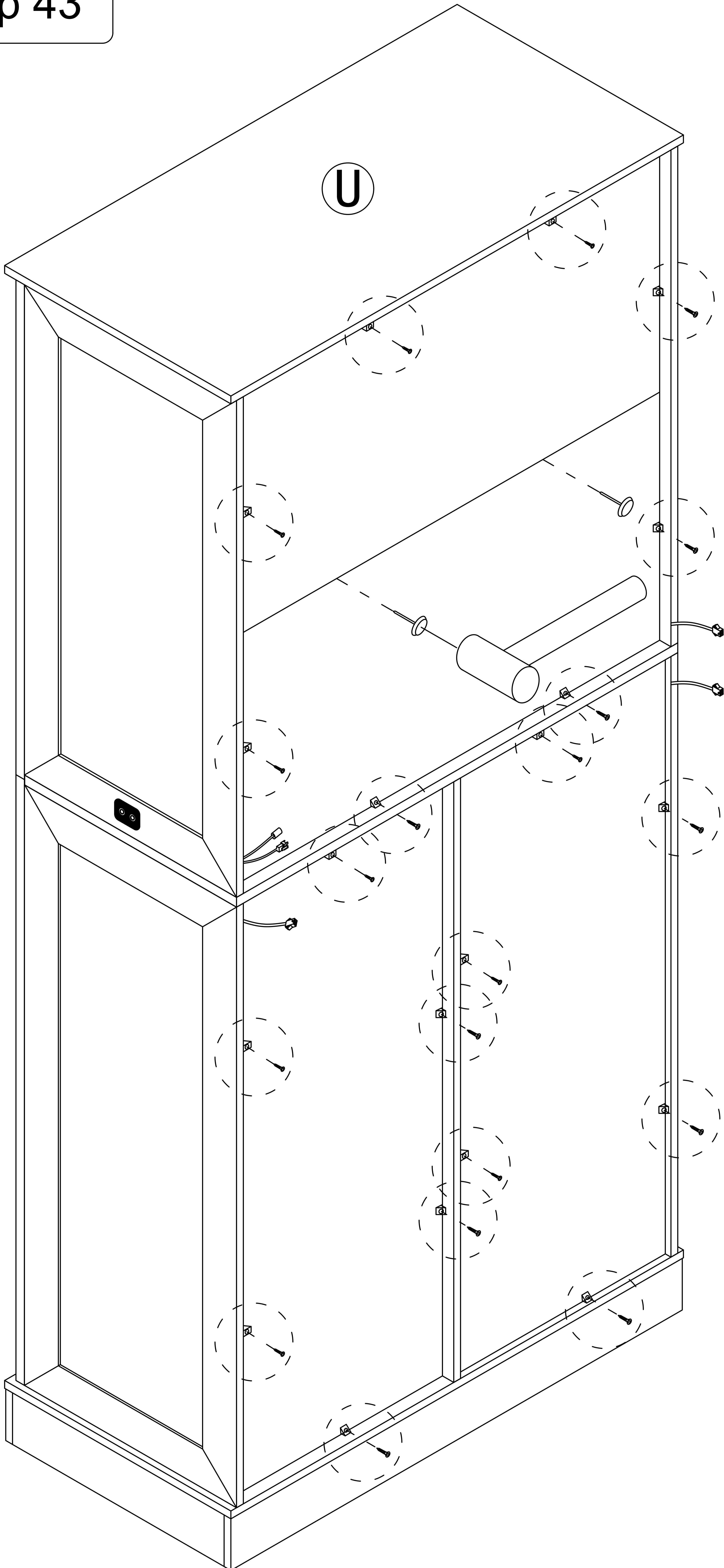
Open the glass door

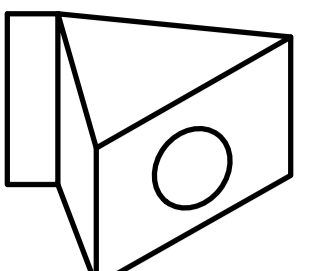
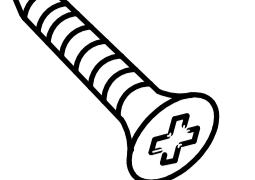


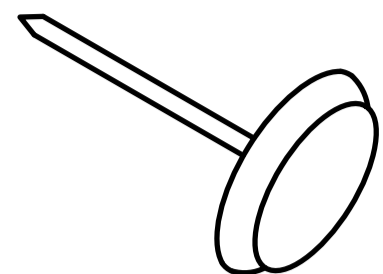
Close the glass door

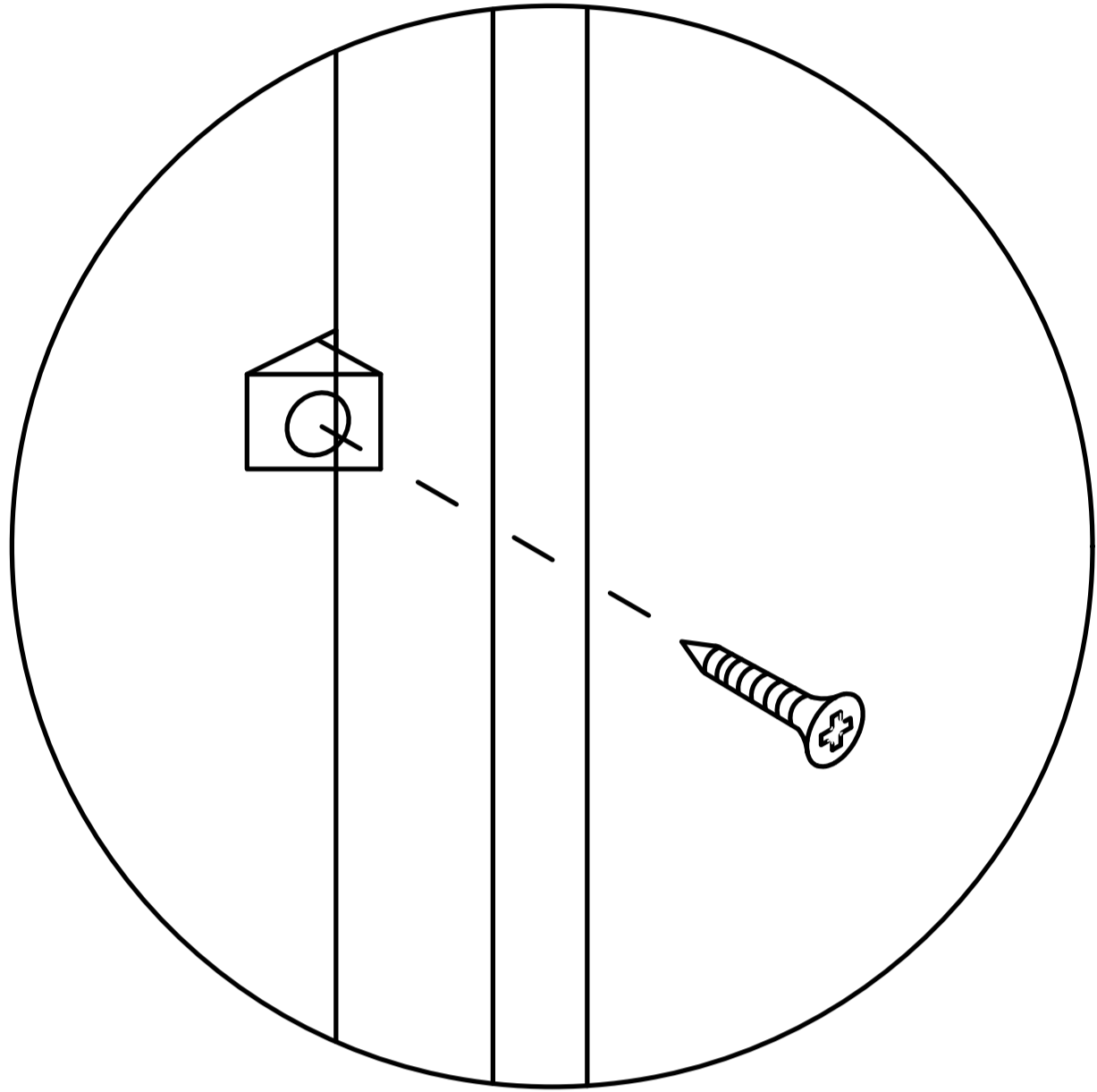


Step 43



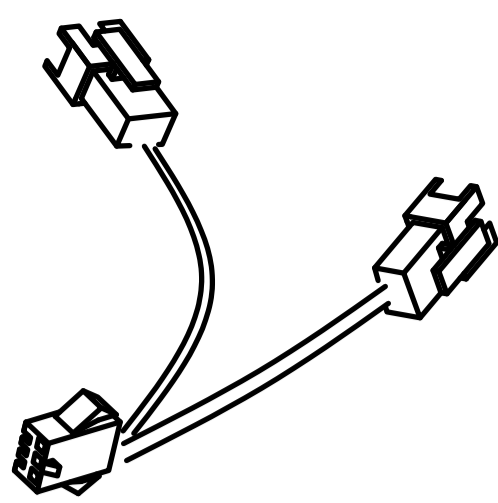
5   x20

11  x2



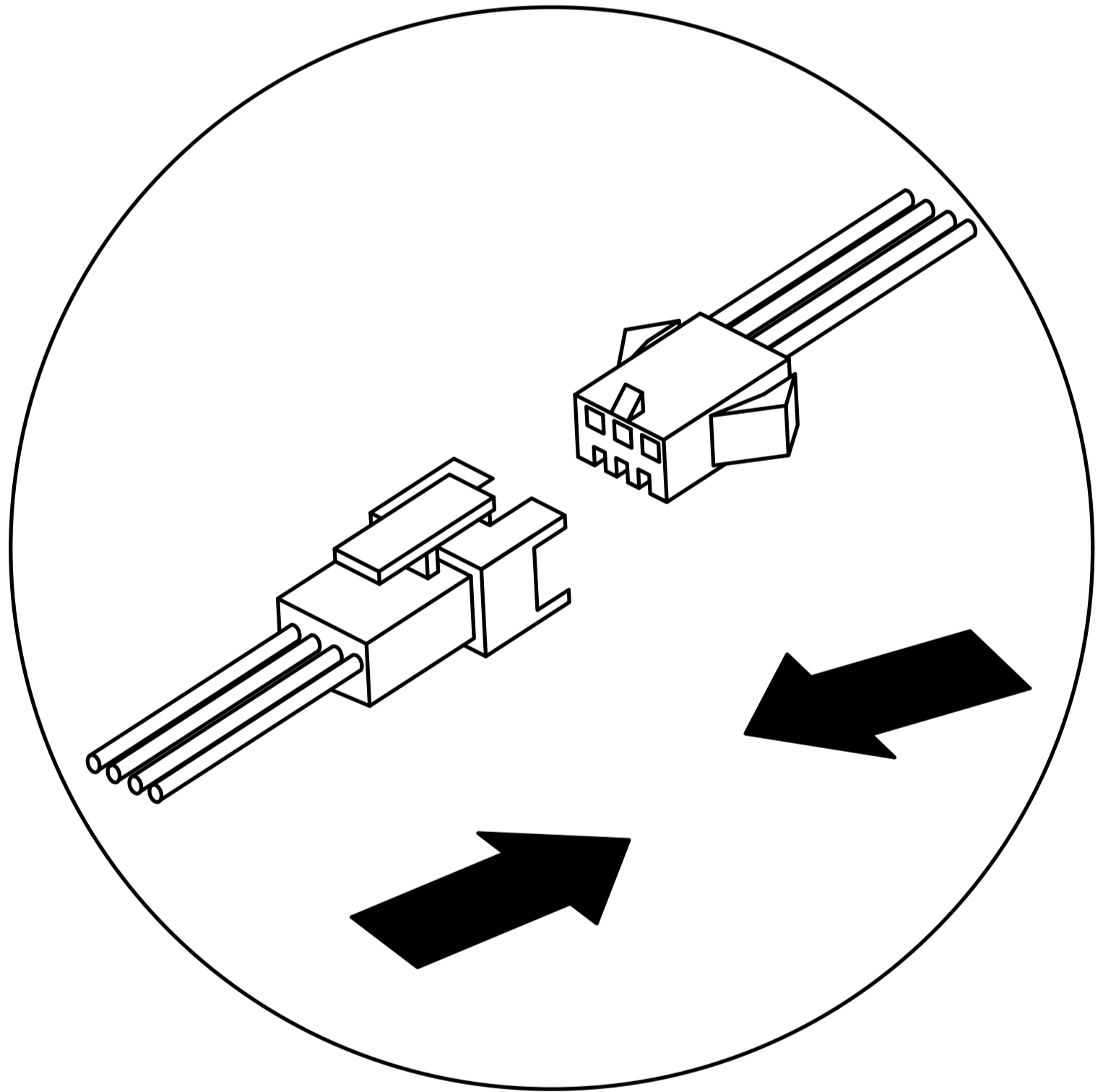
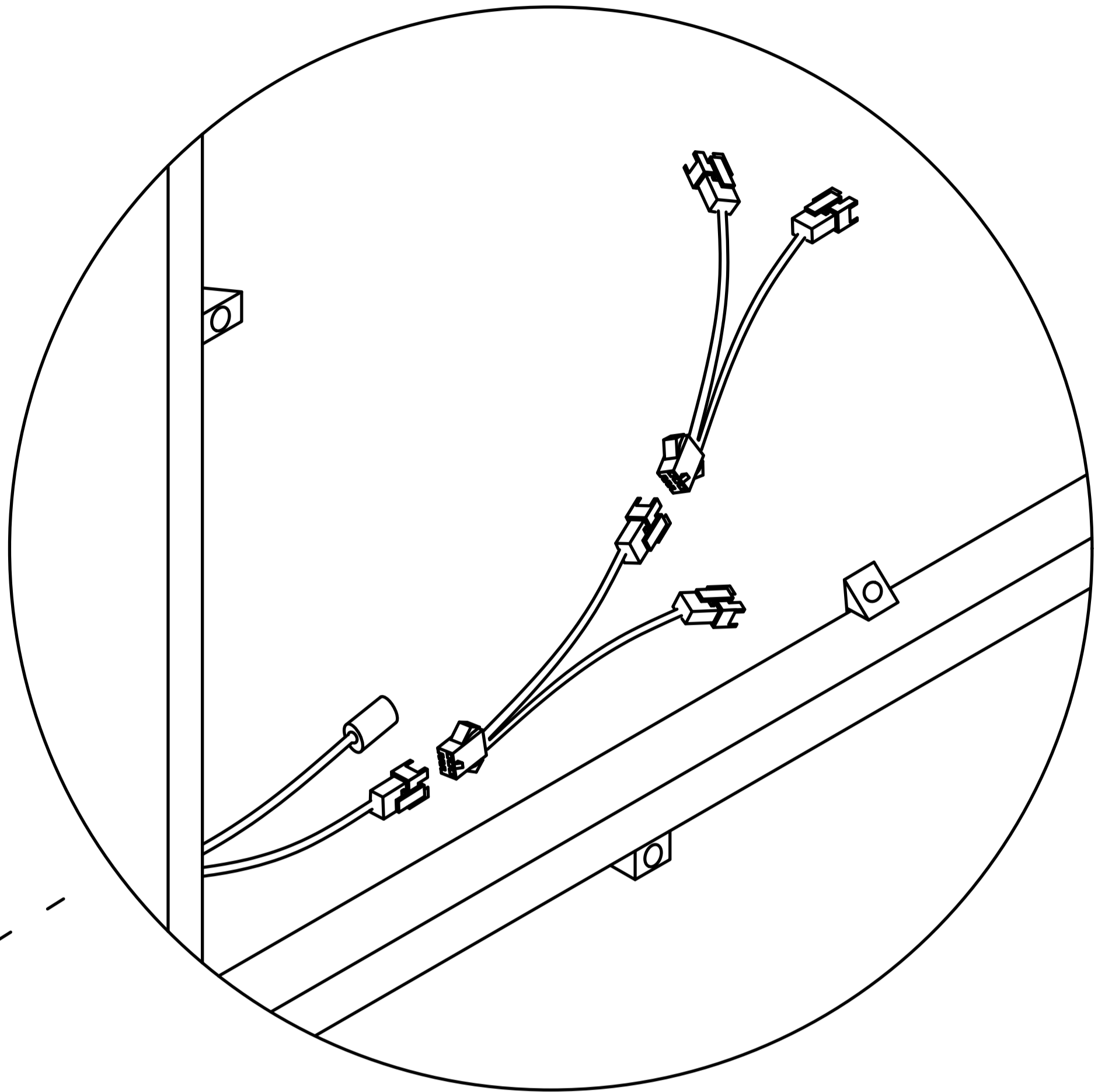
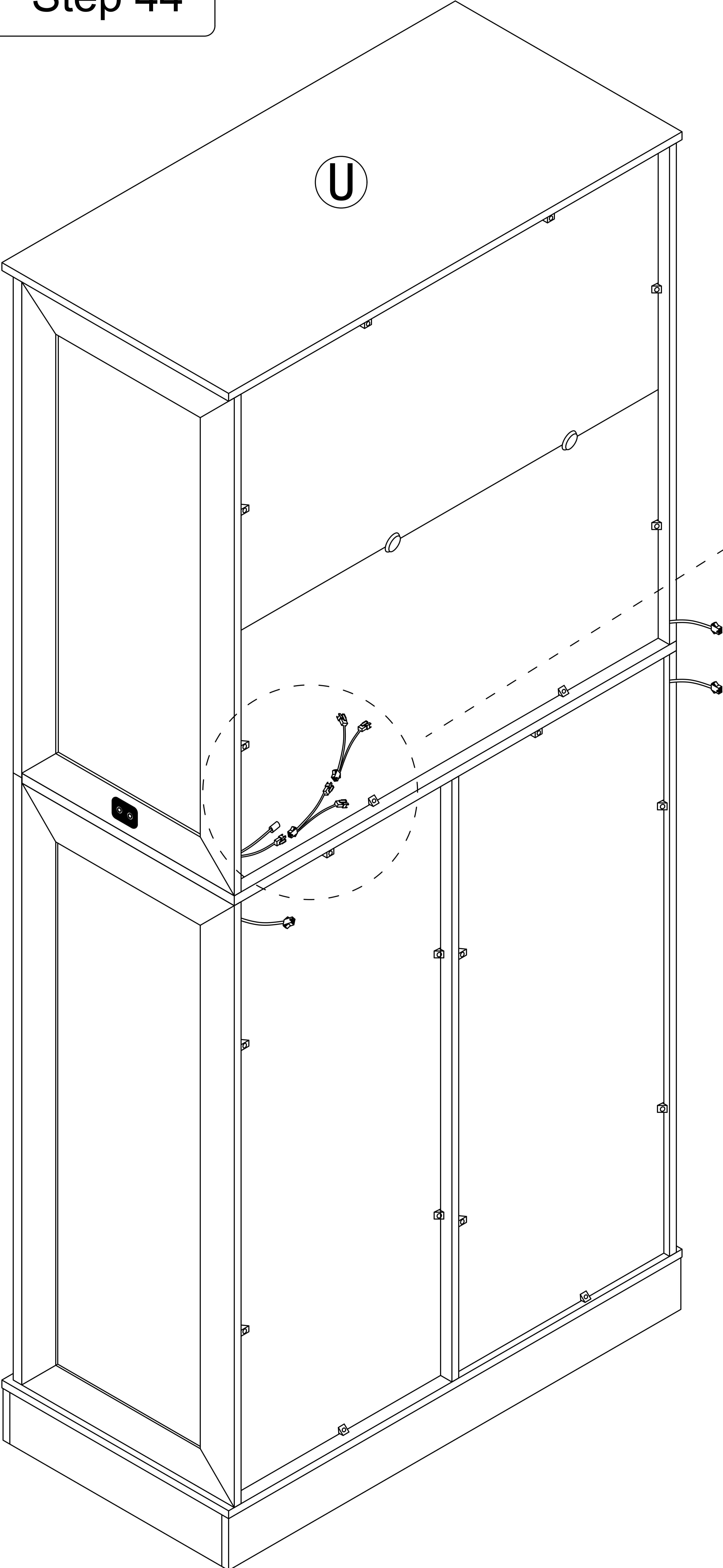
Step 44

7

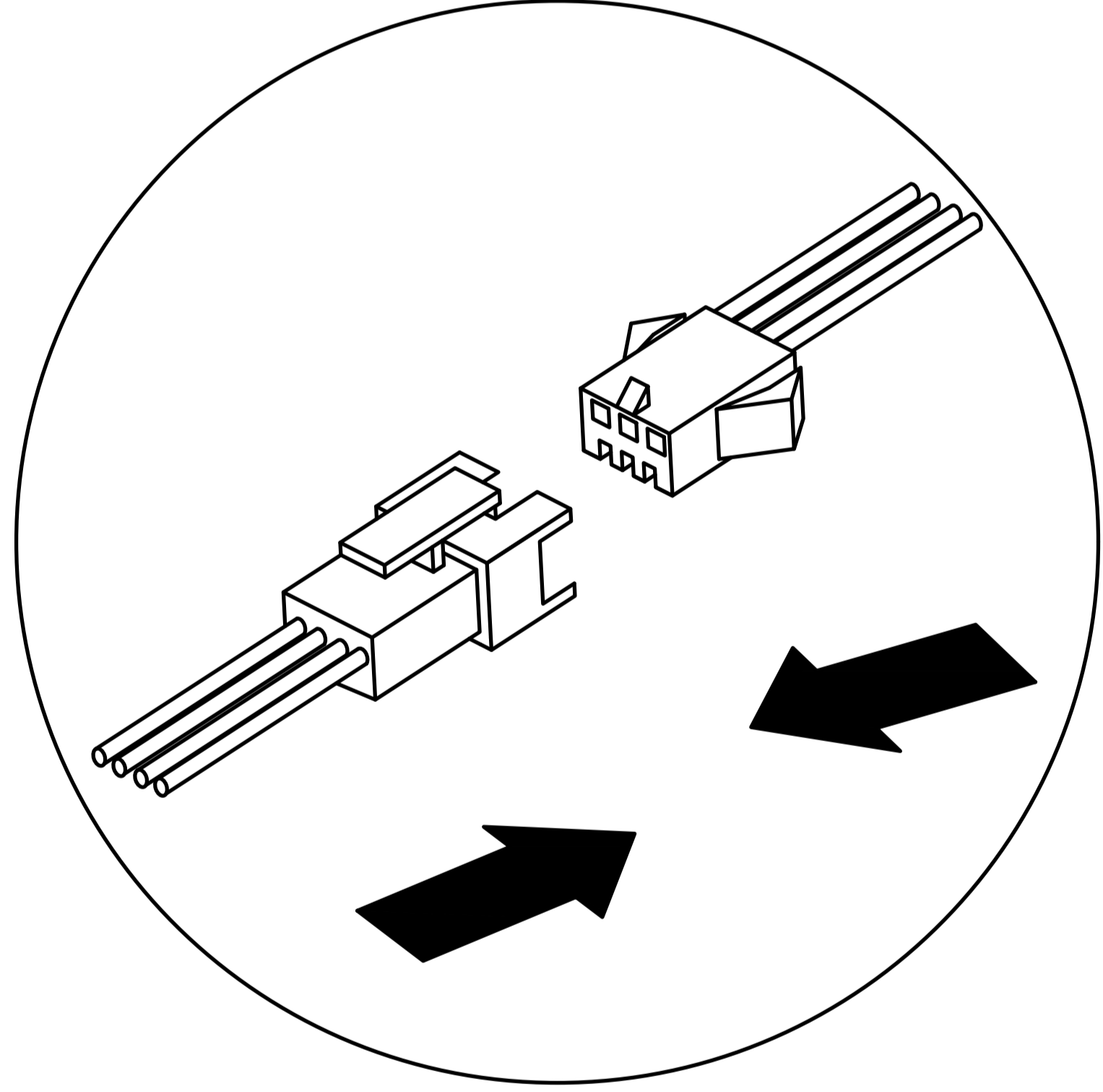
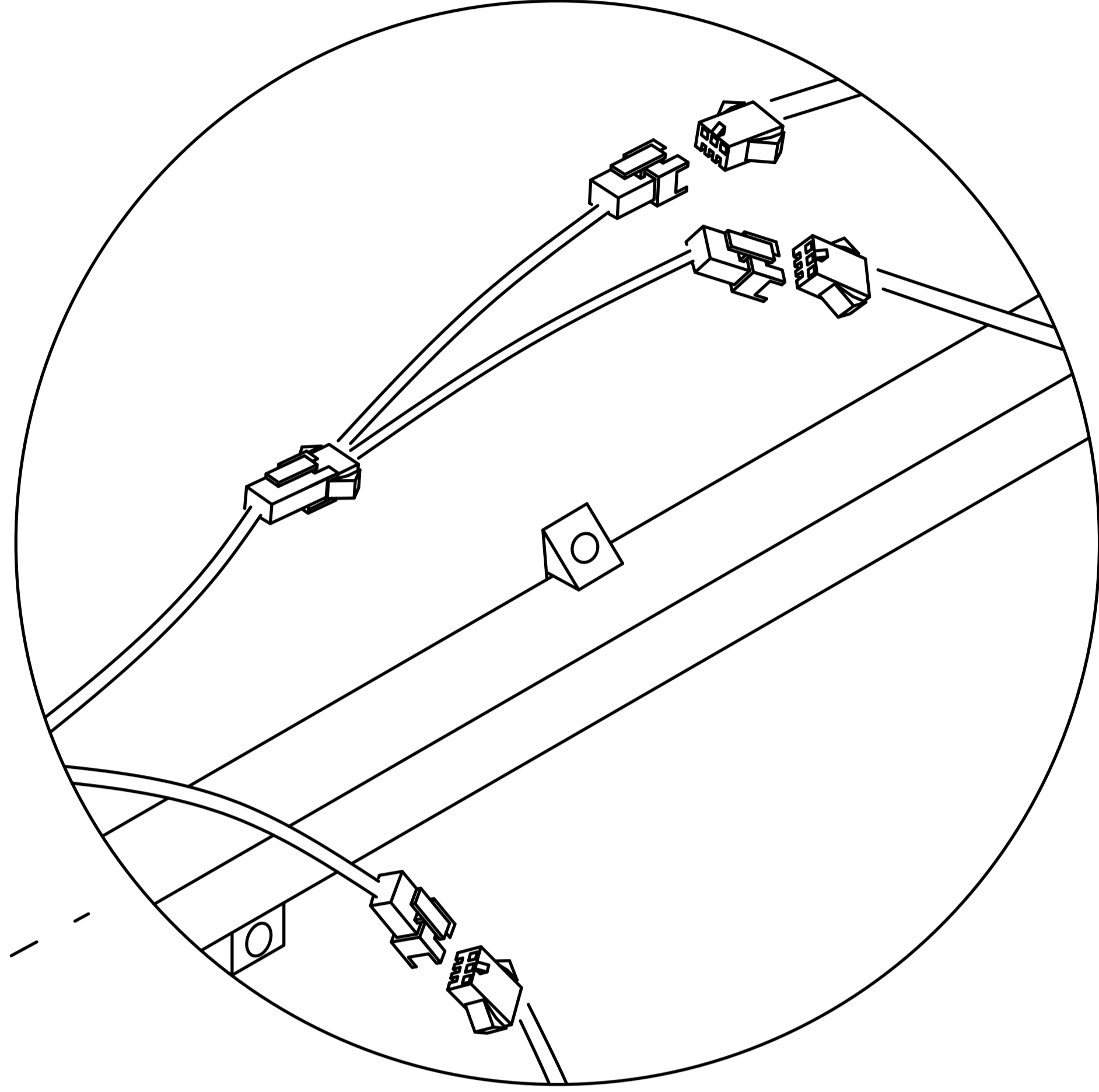
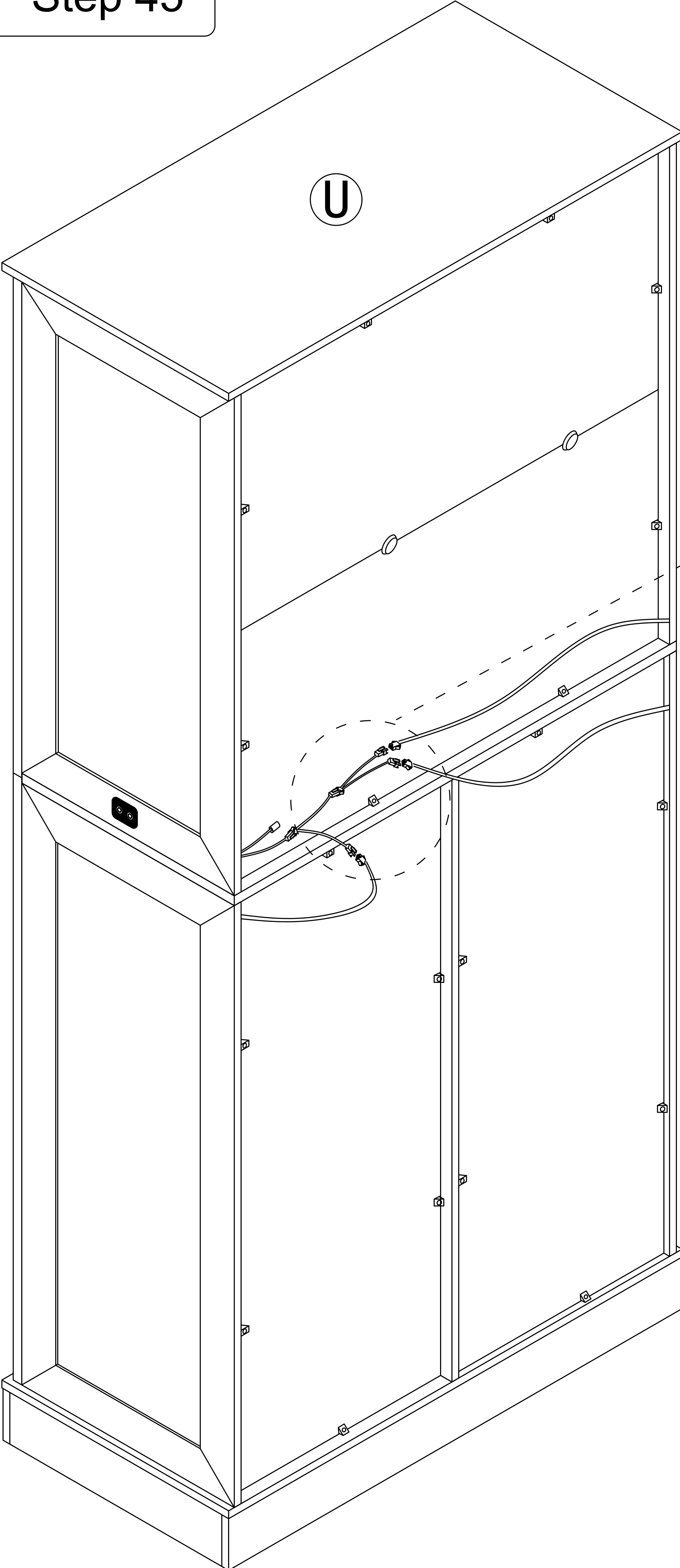


x2

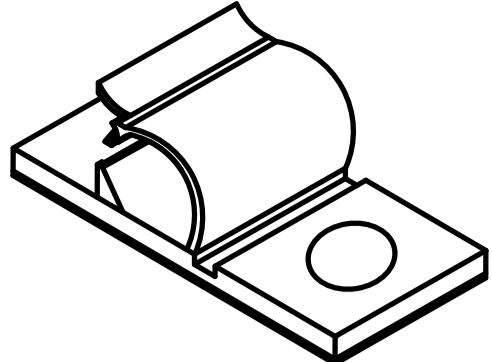
U

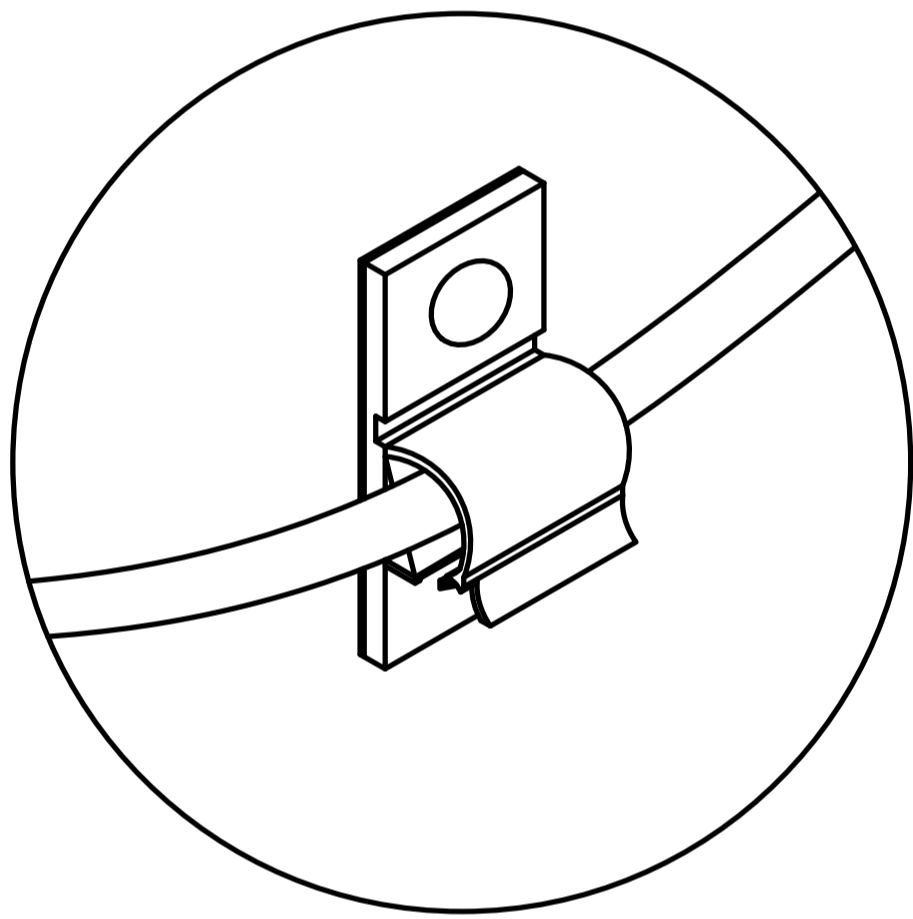
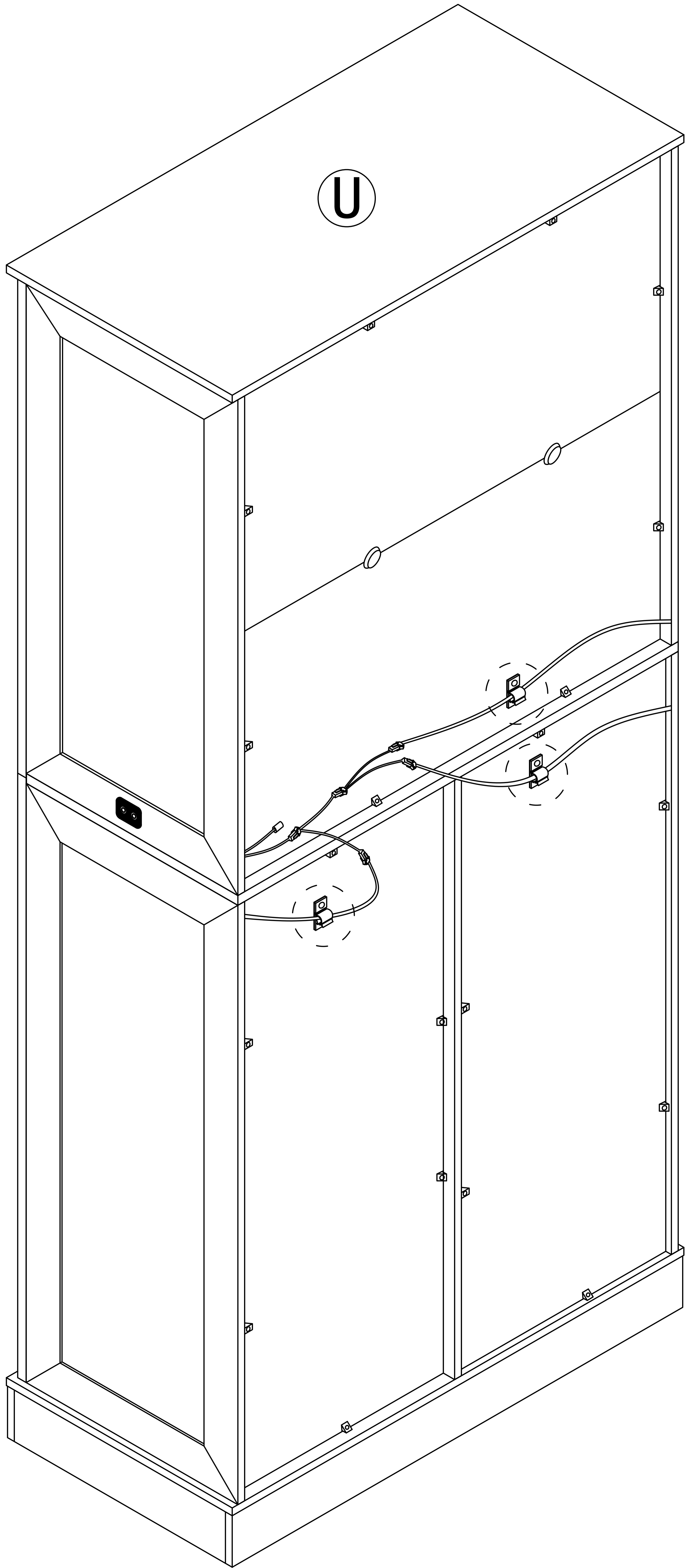


Step 45

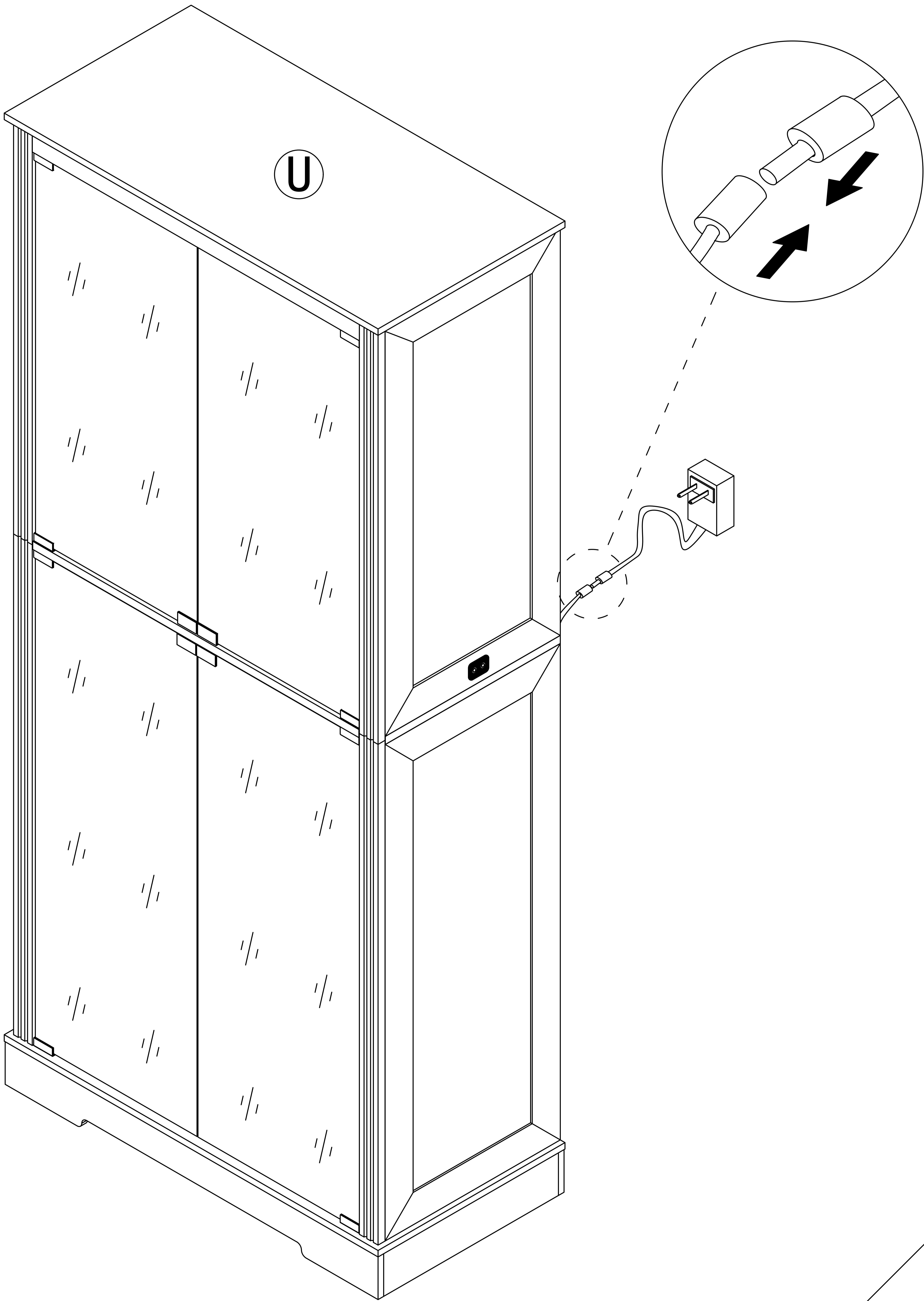


Step 46

6  x3

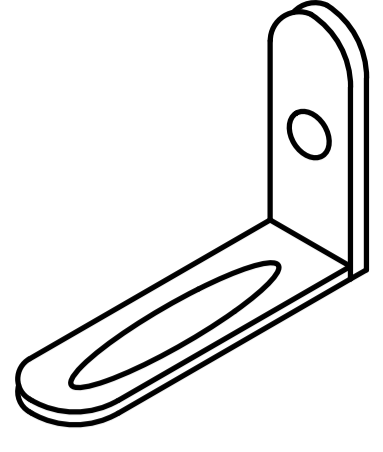
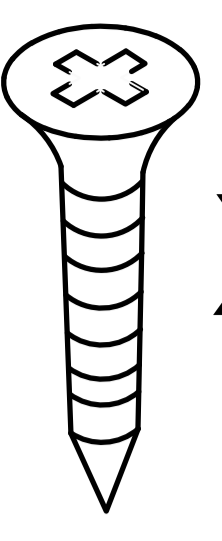
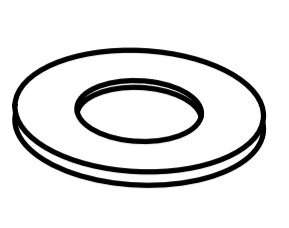


Step 47

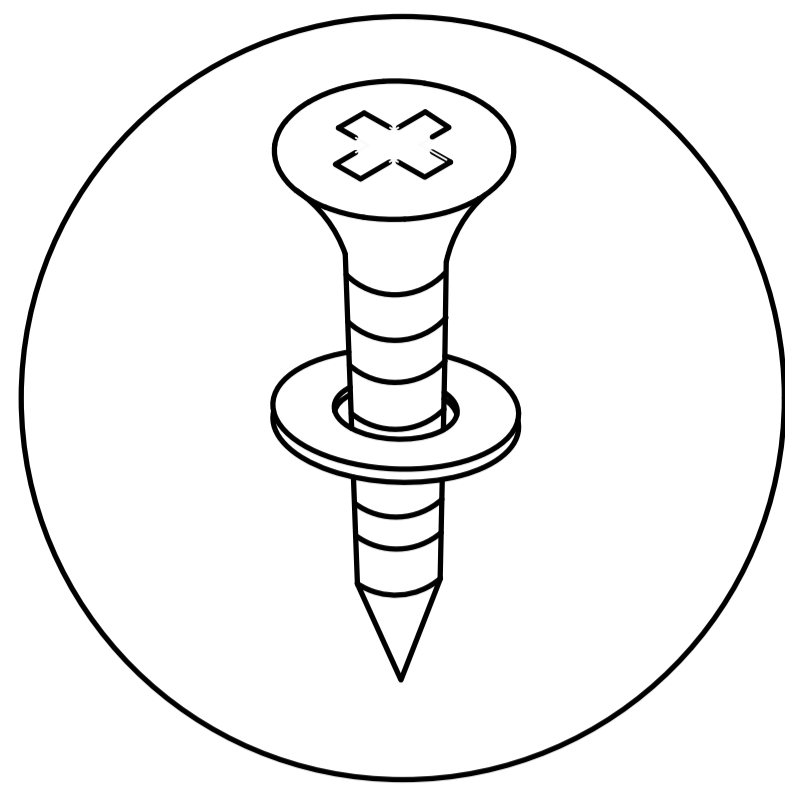


Step 48

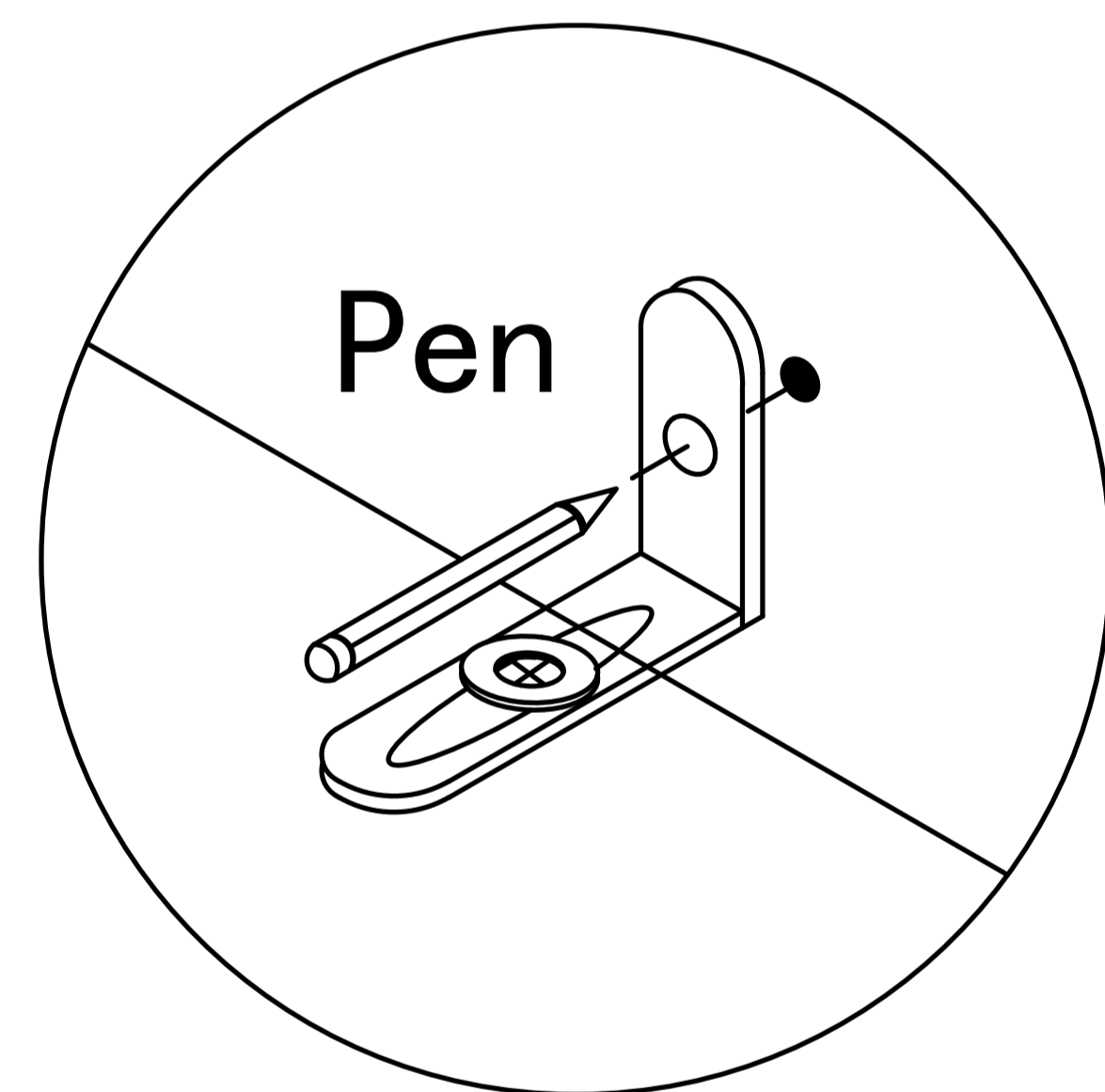
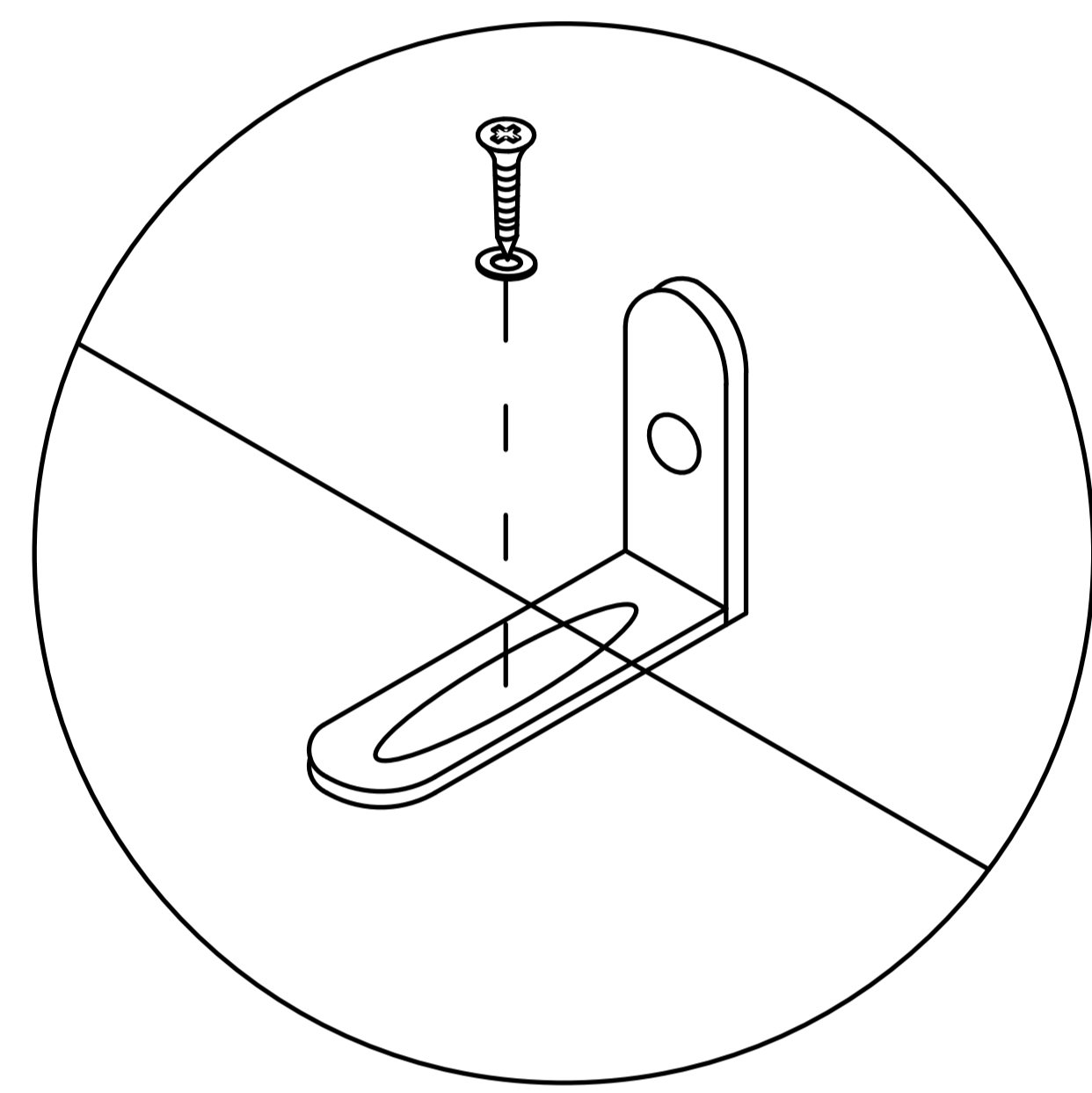
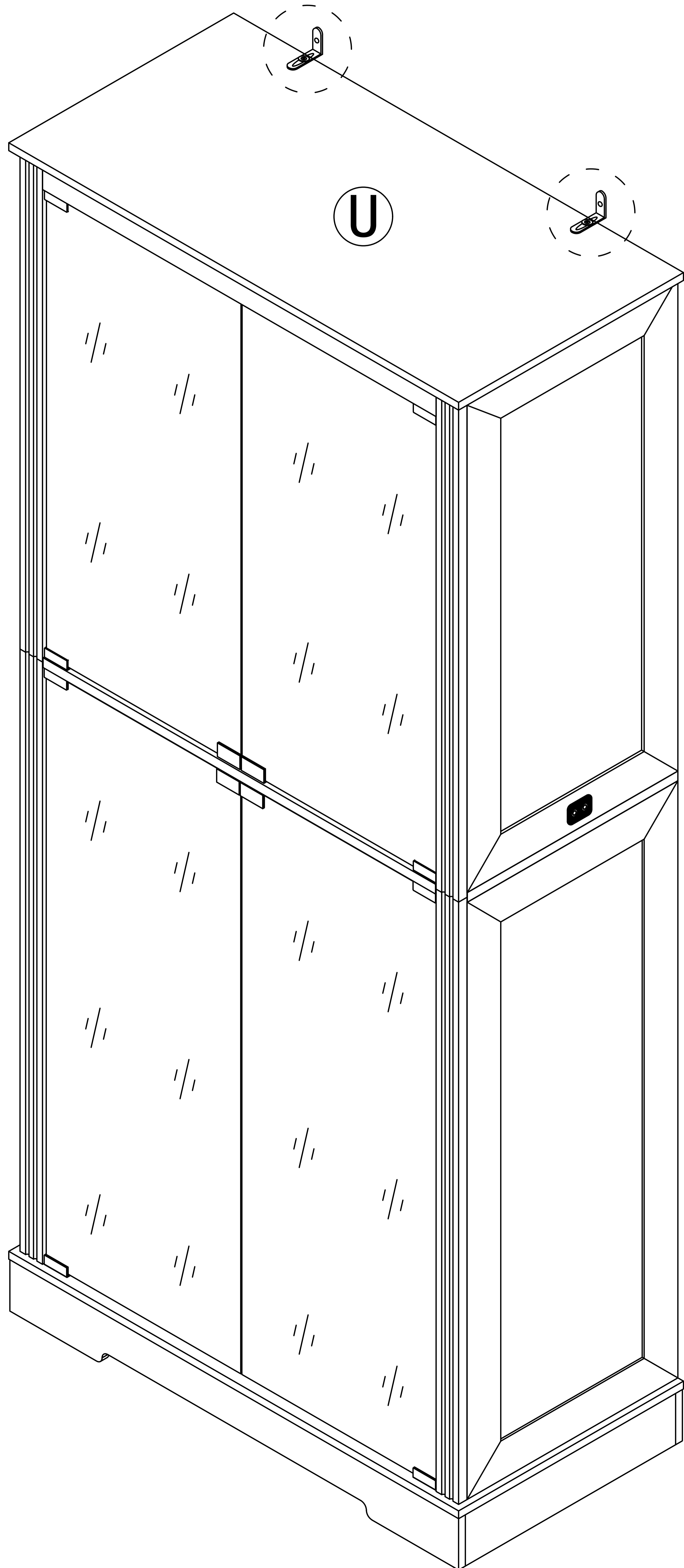
Install as required

12  x2  x2
 x2

3.5x14mm

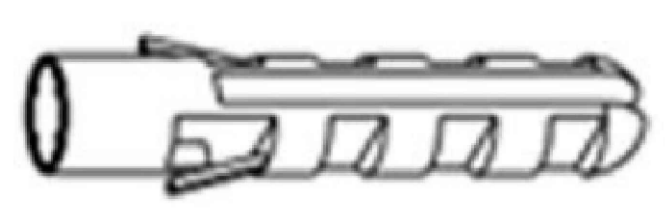
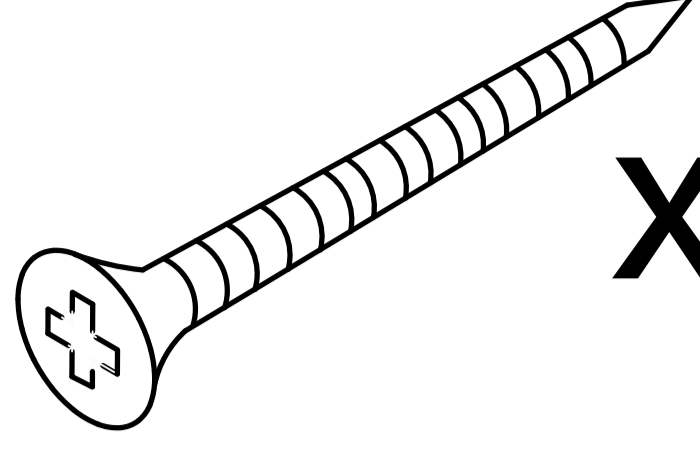
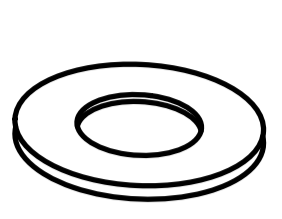


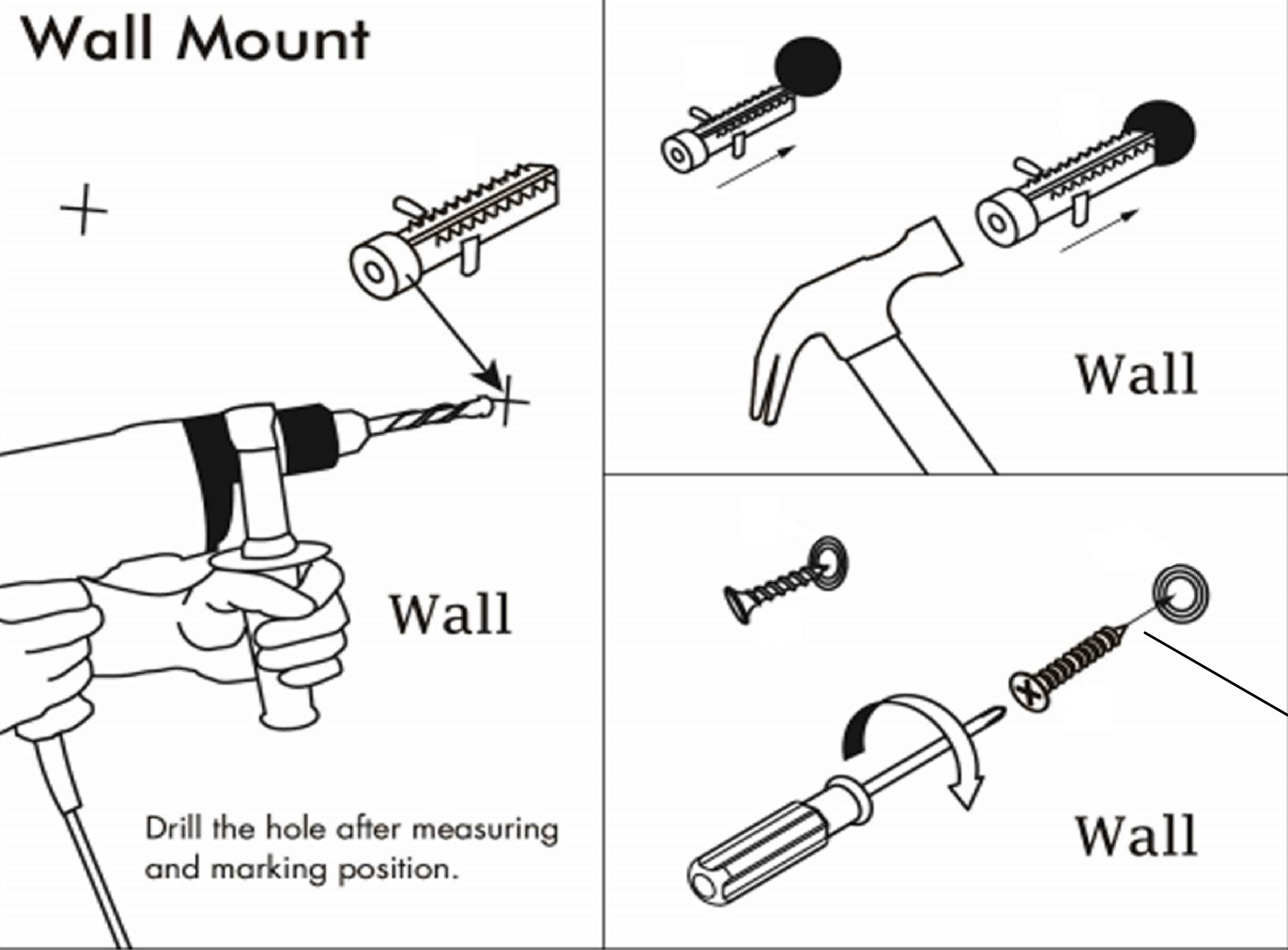
Install the anti fall hardware on the cabinet as shown in the picture first



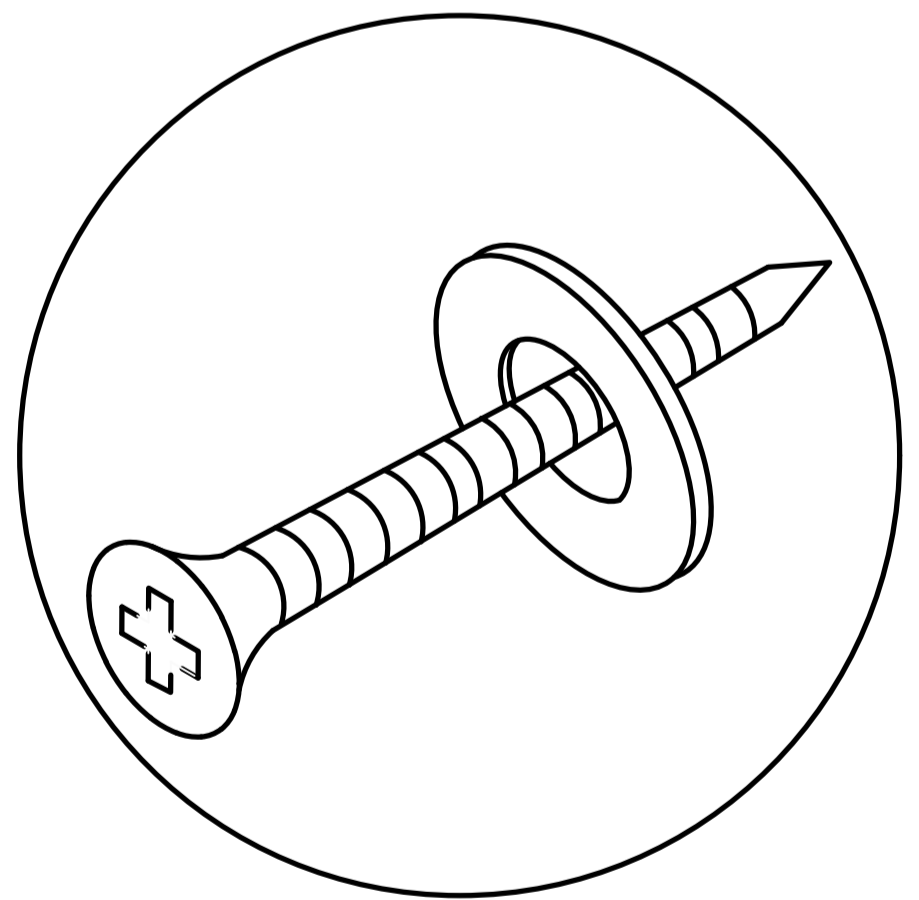
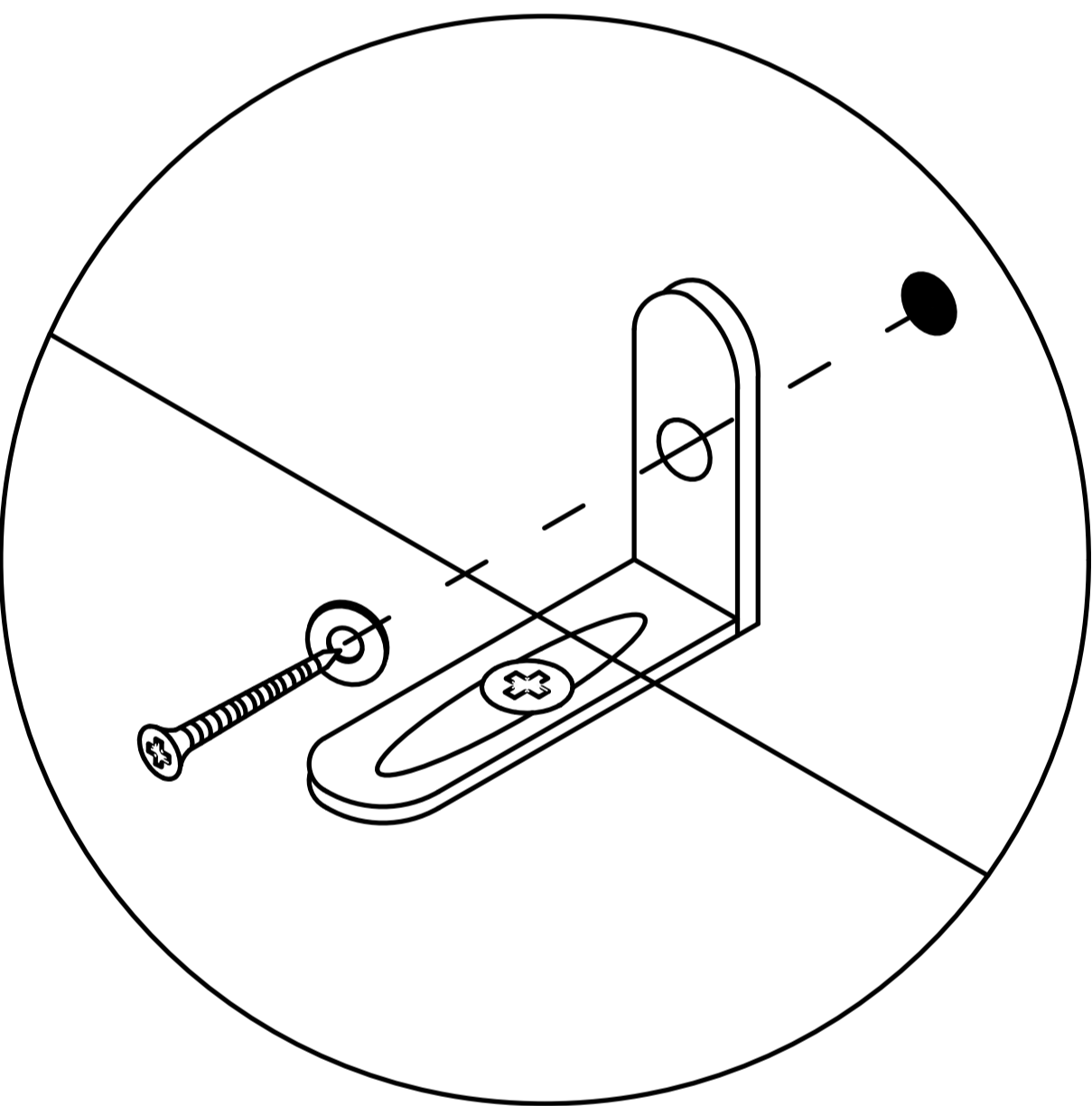
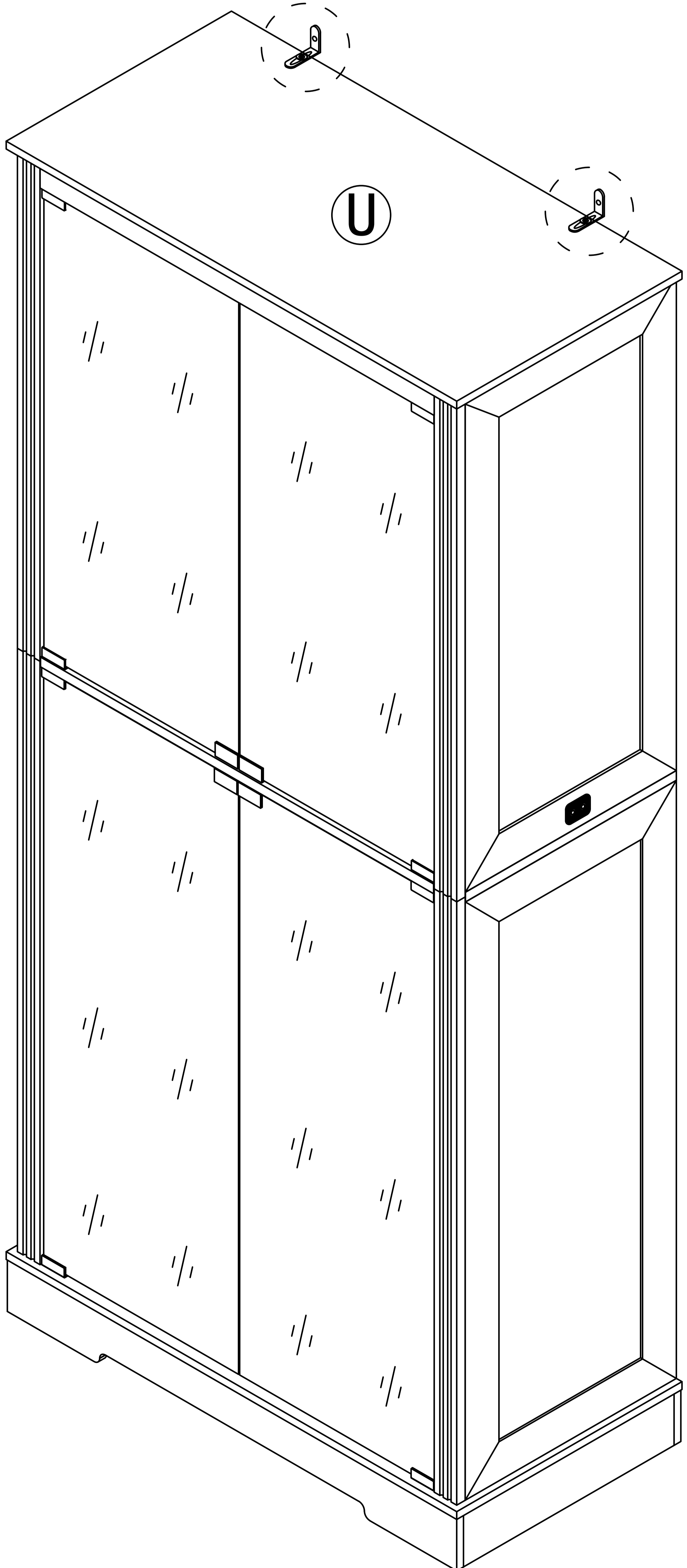
Then mark the wall with a pen through the holes in the anti-fall hardware

Step 49

- 12  x2
-  x2  x2



Drill the hole with an electric drill and punch in the colloidal particles



4x45mm

Fix the dressing table to the wall

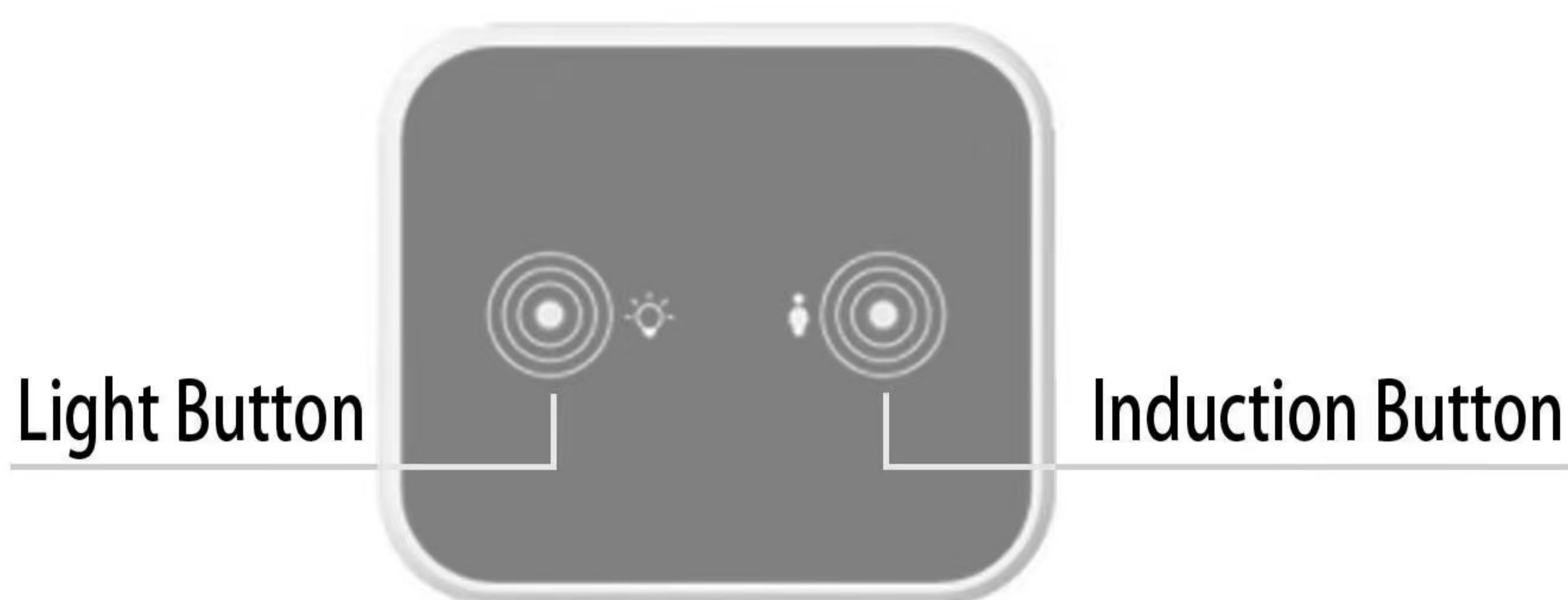
User's Guide

Thank you for purchasing this product. To use this product, please plug it into a 12V DC power supply. Please use if the product works normally after connecting to power.

Introduction

The box is an intelligent controller with 2 touch buttons. It can turn ON/OFF the light, change light colors, and adjust the light luminance.

Product Show



ATTENTION PLEASE

1. If there is no touch response suddenly, Re-plug the power to reset the touch static electricity.
2. If bubbles appear on the panel, remove the protective film.

Operation



This touch button is used to turn on/off, change colors, and adjust brightness.

A. Short touch -> lighting on -> short touch -> change light color -> short touch -> change light color -> short touch -> lighting off. B. Long touch -> adjust the luminance



This touch button is used to turn on/off the induction function.

A. Short touch to turn on the induction function. It can auto-turn on the light when people are close to the controller in 1 meters. It can auto power off the light when the body is far away from the controller after 30 seconds.

B. Long touch to turn off the induction function.

C. Note: When you touch the light button to change the light modes, the induction function will automatically turn off. It is best to turn on this function after selecting the light color and adjusting the brightness you want.