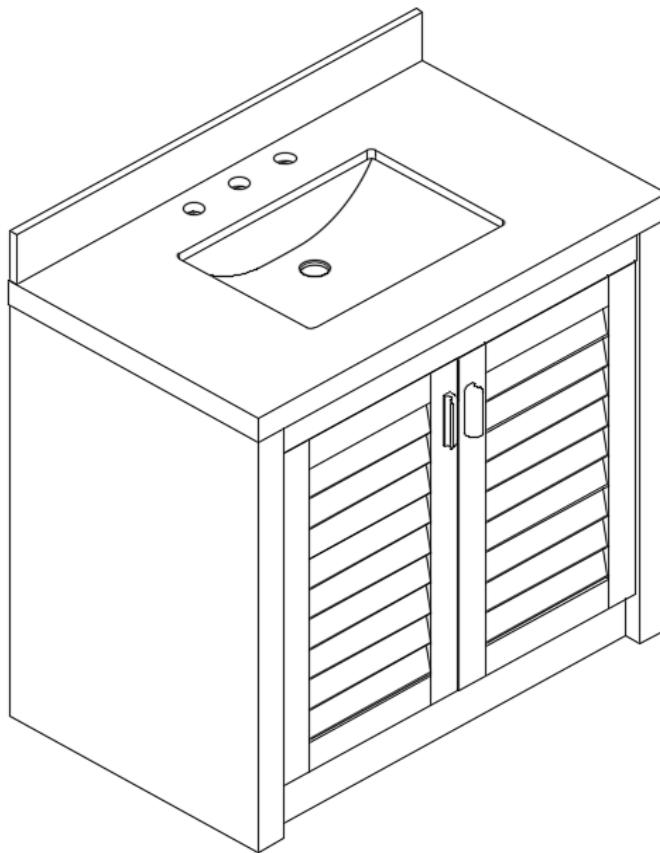


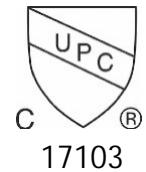
## Stonehaven Series: Vanity Cabinet with Countertop & Sink Assembly & Care Instructions

---

### 36 Inch Cabinet & Countertop



Undermount  
Porcelain Sink



Before you begin:

Please review all your packing materials carefully before discarding.  
Some assembly parts may be packaged separately. Confirm you have all the parts required for assembly and installation of this cabinet & countertop before discarding the packing materials.

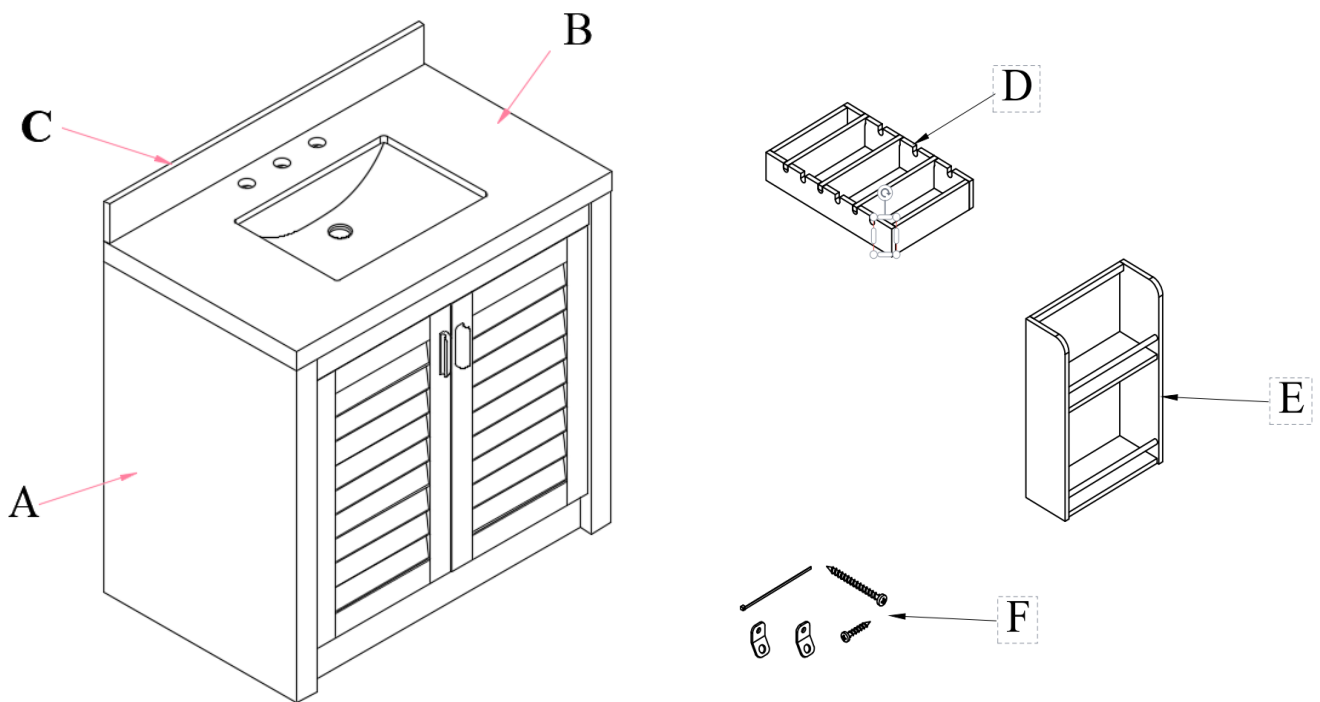
Carton Contents are shown on the top of Page 2.

### Carton Contents

- A) Vanity Cabinet
- B) Countertop with Undermount Sink (Attached)
- C) Backsplash\*
- D) In-Drawer Organizer
- E) In-Door Organizer
- F) Anti-Tip Kits

(**Note:** Faucet, Drain, and P-trap are not included and must be purchased separately.)

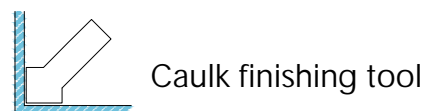
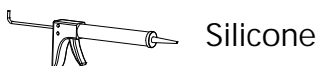
\*Side splashes are available and may be purchased separately.



### Pre-Installation - Review:

Confirm the installation location of this vanity is clear of obstructions and the locations of the waste line and water supplies are compatible with this cabinet.

Recommended Tools and Equipment pictured below

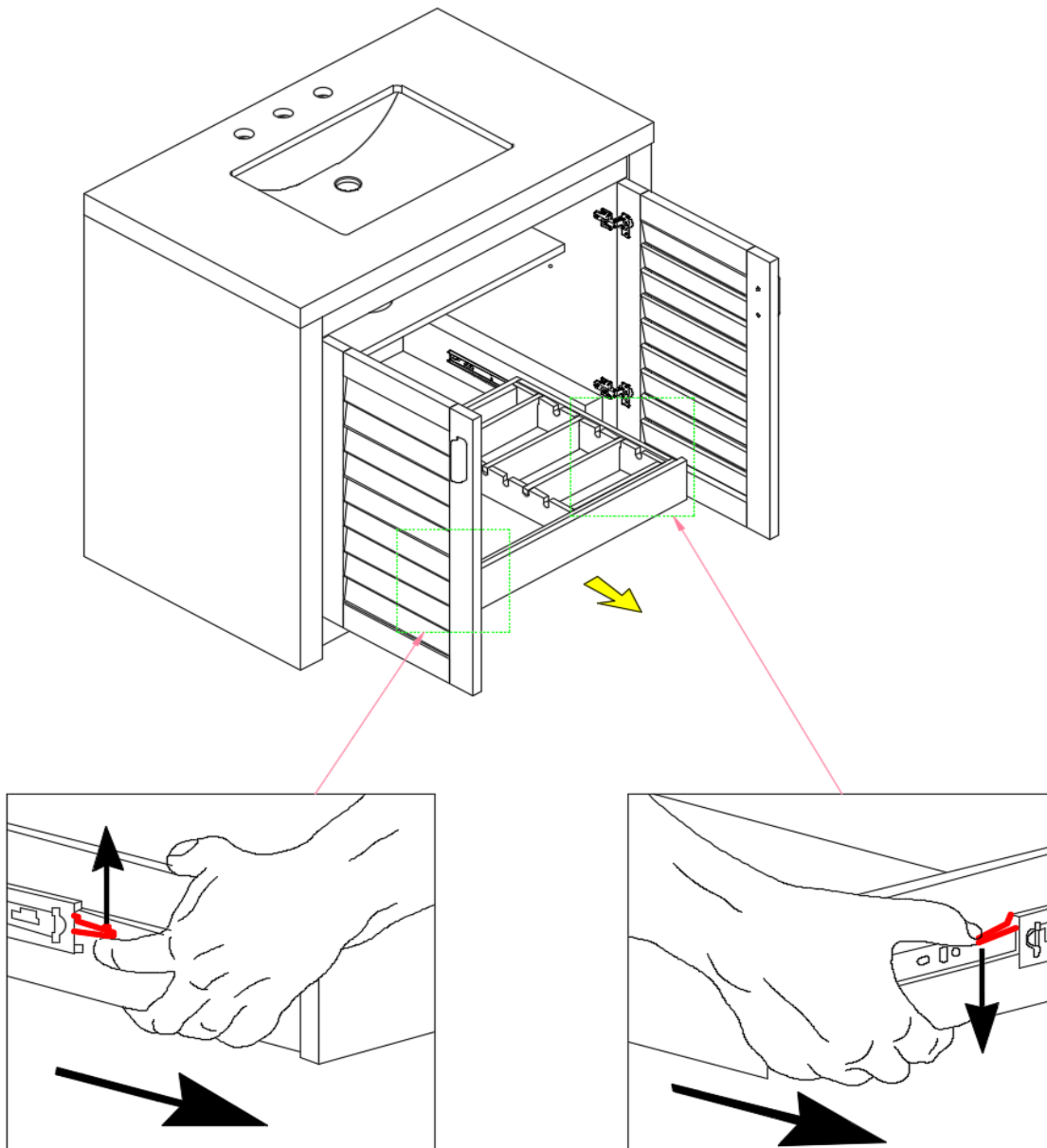


**Manufactures Note:**

Brio Bathworks recommends you always consult with professional installers and contractors regarding the correct installation of this vanity cabinet and countertop.

Please keep this **Assembly & Care Guide** for future reference.

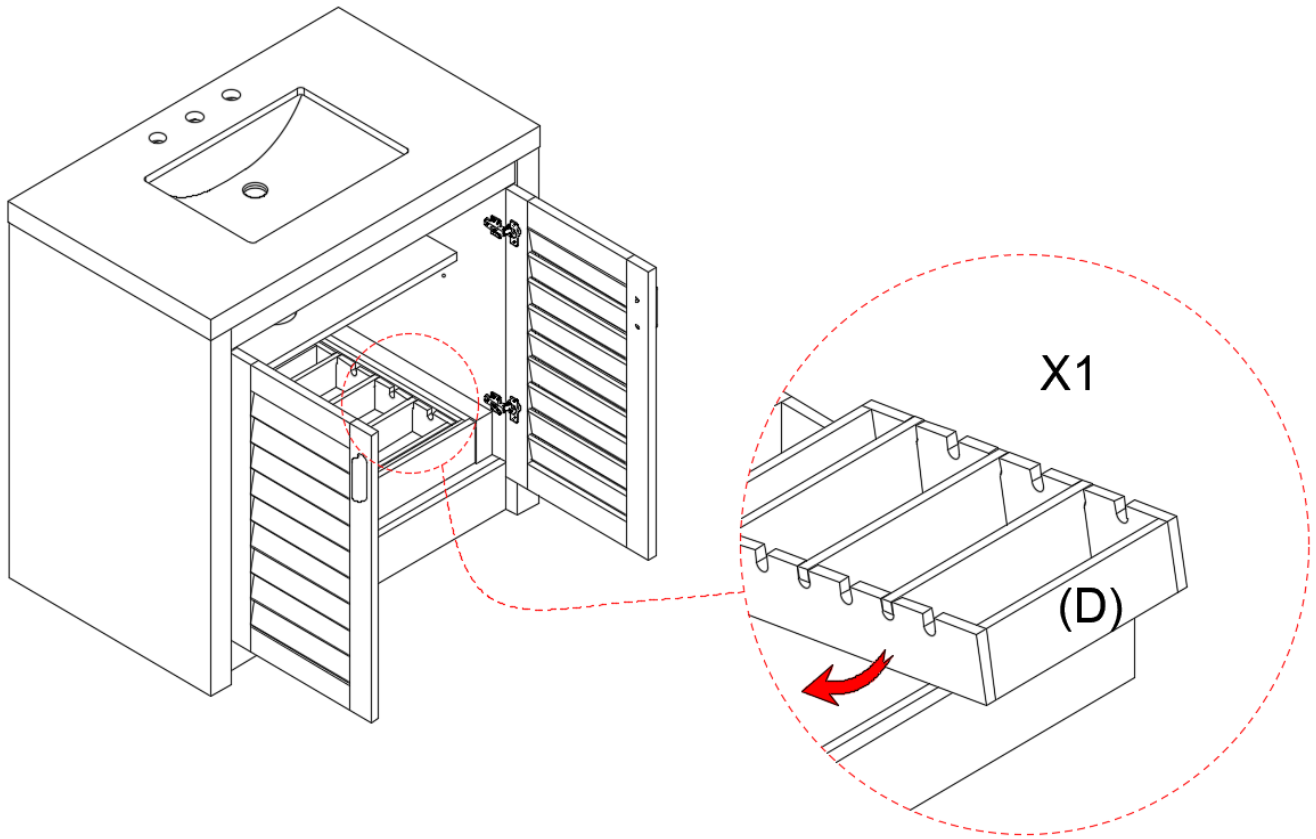
**Steps for the Removal and Installation of the Drawer with the Side Slides:**



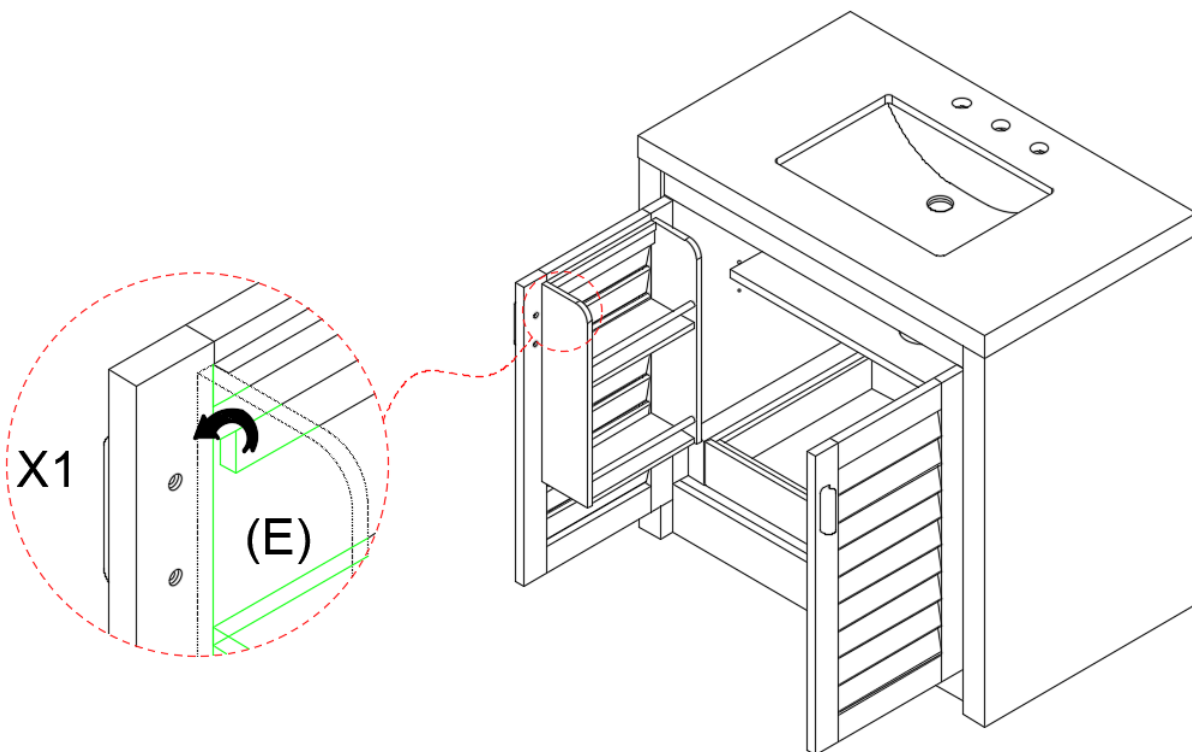
- Pull up the pin on the left slide and pull down the pin on the right slide , then pull out the drawer.
- Push the metal plates of the slides on the drawer box to the slides on the cabinet to install the drawer.

## Installation

1. Open the door vanity and place the removable drawer organizer (D) into the drawer box.


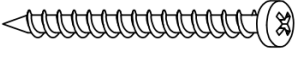
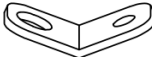



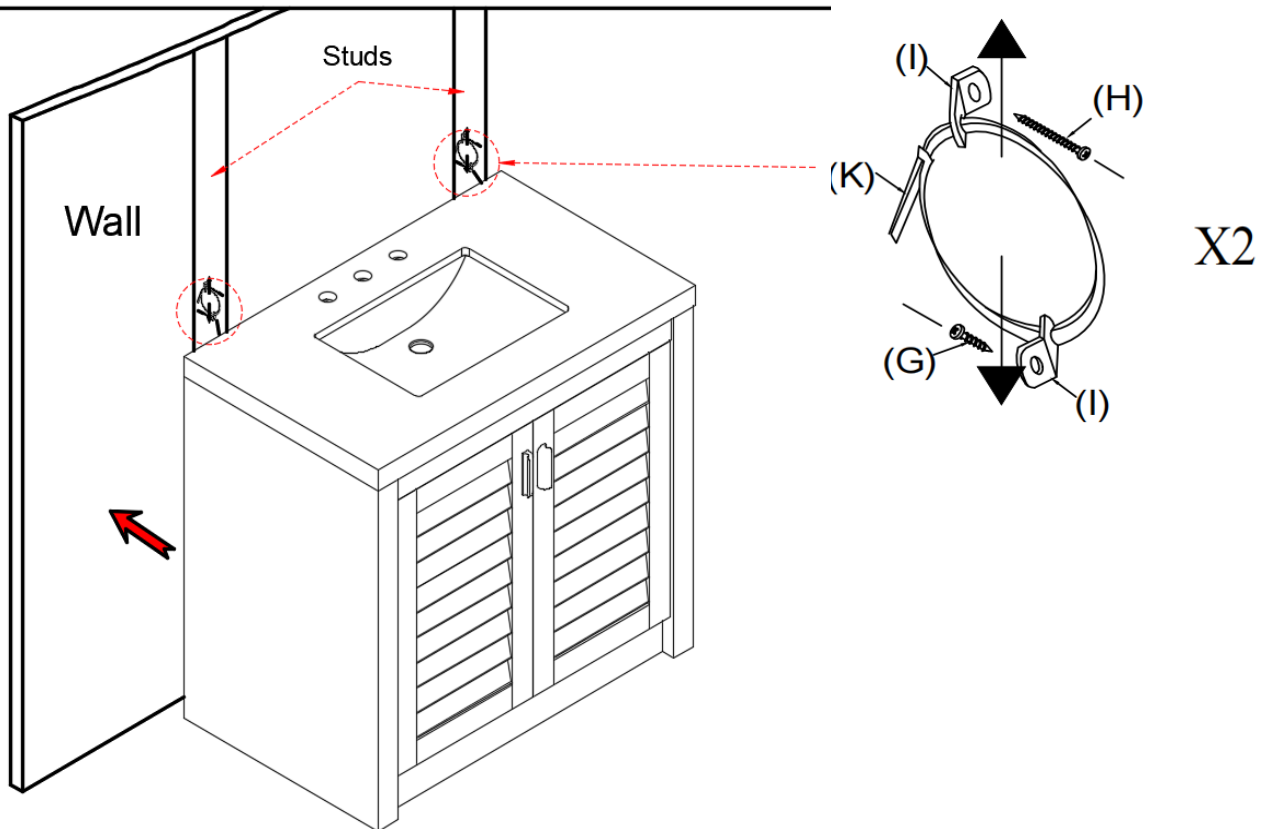
2. Attach the door organizer (E) to the left side door.



### Installation

3. Attach a Bracket (I) to back of Cabinet near top by using the Small Screw (G) through smaller hole. Next, attach remaining Bracket (I) to wall stud with Large Screw (H), positioning it 2 inches below Bracket of cabinet. Align both Brackets vertically, and thread Retention Belt (K) through them. Ensure strap is properly laced and securely locked

Ltr.	Qty.	Hardware Included	
G	2		Small Screw
H	2		Large Screw
I	4		Brackets
K	2		Retention Belt



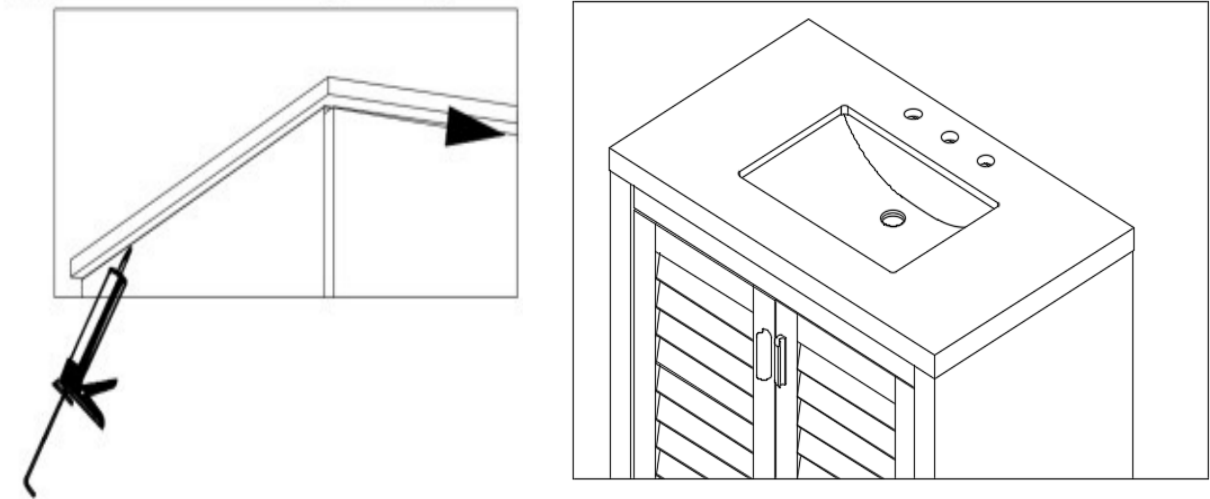
### WARNING

Serious or fatal crushing injuries can occur from furniture tip-over.  
To help prevent tip-over:

- Never allow children to climb or hang on drawers and doors.
- Never open more than one drawer at a time.
- The use of tip-over restraints may only reduce, but not eliminate the risk of tip-over.

## Countertop Installation

1. Carefully apply silicone adhesive to the perimeter edge of the cabinet top (the area where the countertop will rest on top of the cabinet).

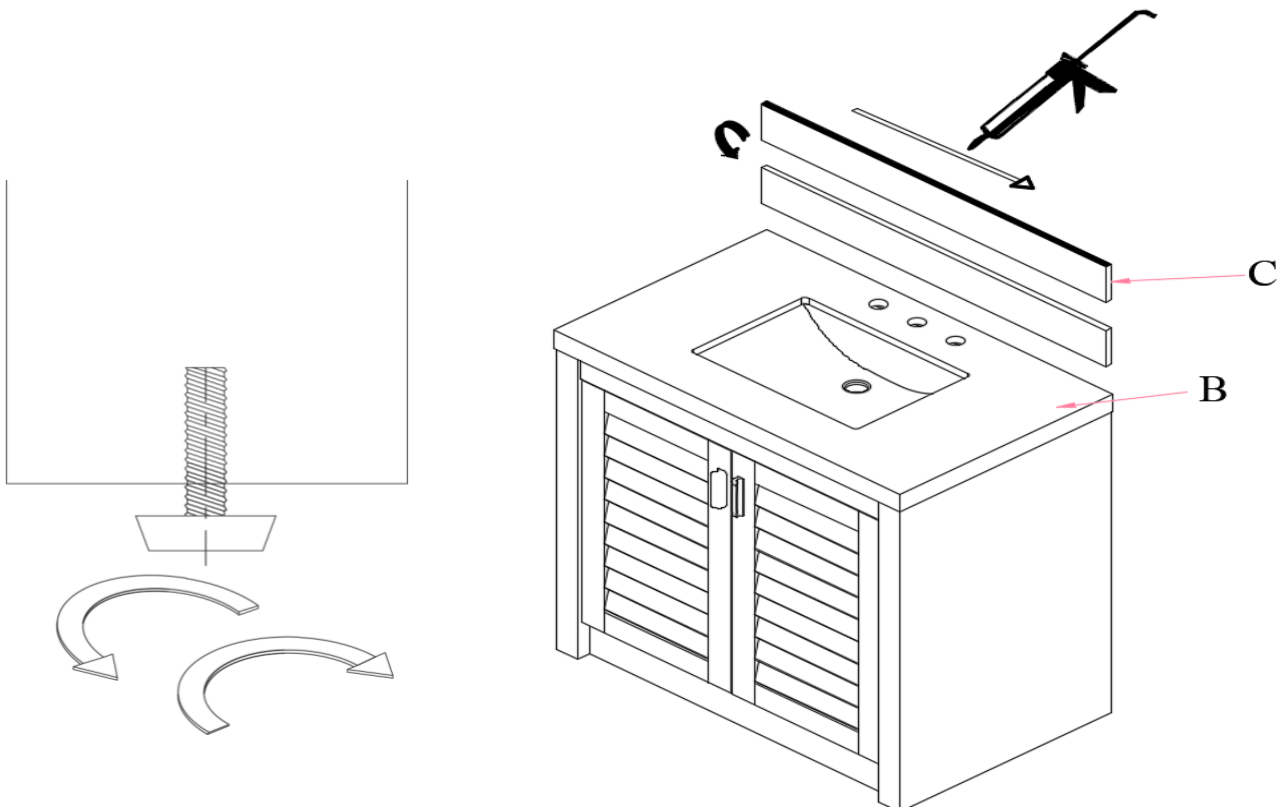


2. Carefully and thoroughly clean the countertop before attaching the backsplash (or side splash).

Apply silicone adhesive to the bottom edge of the backsplash (side splash) before lowering in onto the countertop.

Carefully align the backsplash (or side splash) and remove any excess adhesive.

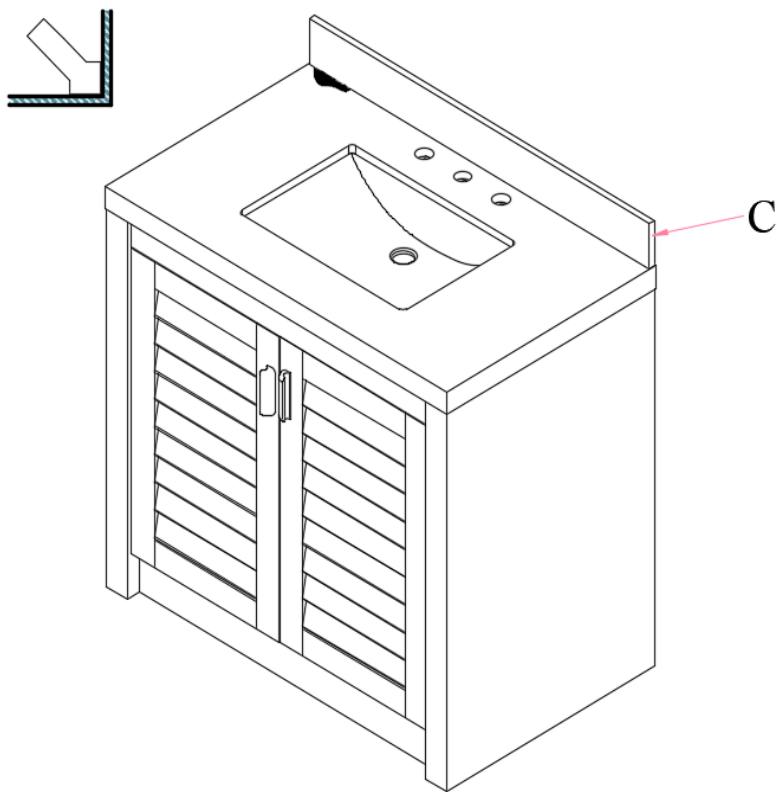
Before the step, adjust all adjustable - height levelers (including the center foot levelers if the cabinets have them) to keep the countertop level, aligned with the backsplash, and ensure the cabinet is stable and does not shake.



(Side splashes are available and may be purchased separately).

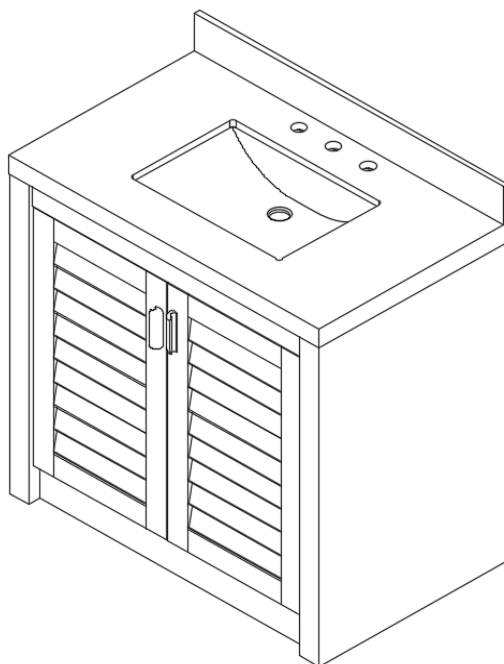
### Countertop Installation

3. To prevent scratching we recommend using a plastic caulking tool to remove excess silicone adhesive.



### Before Use

We recommend you wait 24 hours for the silicone adhesive to set completely before using water.



## How to Keep Your Artifex Quartz Countertop Looking Beautiful

Your quartz countertop is built to last - strong, stain-resistant, and stylish. Here's how to keep it looking its best every day.

### Daily Cleaning Tips

A soft cloth and warm soapy water are all you need for everyday cleaning. You can also use a pH-balanced cleaner (pH below 10) for added shine.

No sealing necessary! Quartz retains its luster without the need for sealants. Avoid water repellents or wax-based products - they may cause buildup.

### Treating Light Stains

- Apply a gentle household cleaner.
- Let it sit for a couple of minutes.
- Wipe clean using a non-scratch pad.
- Rinse with clean water.

Dried-on messes? Carefully use a razor blade or plastic scraper at a 90° angle to remove residue. Clean afterward with warm, soapy water.

### Tough Stains? No Problem

If something stronger is needed, try:

- Rubbing alcohol
- Lacquer thinner
- Ammonia
- Mineral spirits

Apply the cleaner, let sit for 10 minutes, then scrub and rinse. Always use gloves and good ventilation when handling these chemicals.

### Hard Water Buildup

Mix baking soda and vinegar into a paste. Let it sit for 10 – 20 minutes on the spot, then gently scrub and rinse.

### Things to Avoid

To keep your surface in top shape, **do not use**:

- Bleach or chlorine-based products
- Oven degreasers
- Strong alkaline cleaners (pH above 10)

### Protecting Against Heat

Although quartz resists heat well, sudden or direct exposure to high heat can cause damage. Use trivets or heat pads for hot pots, pans, or styling tools.

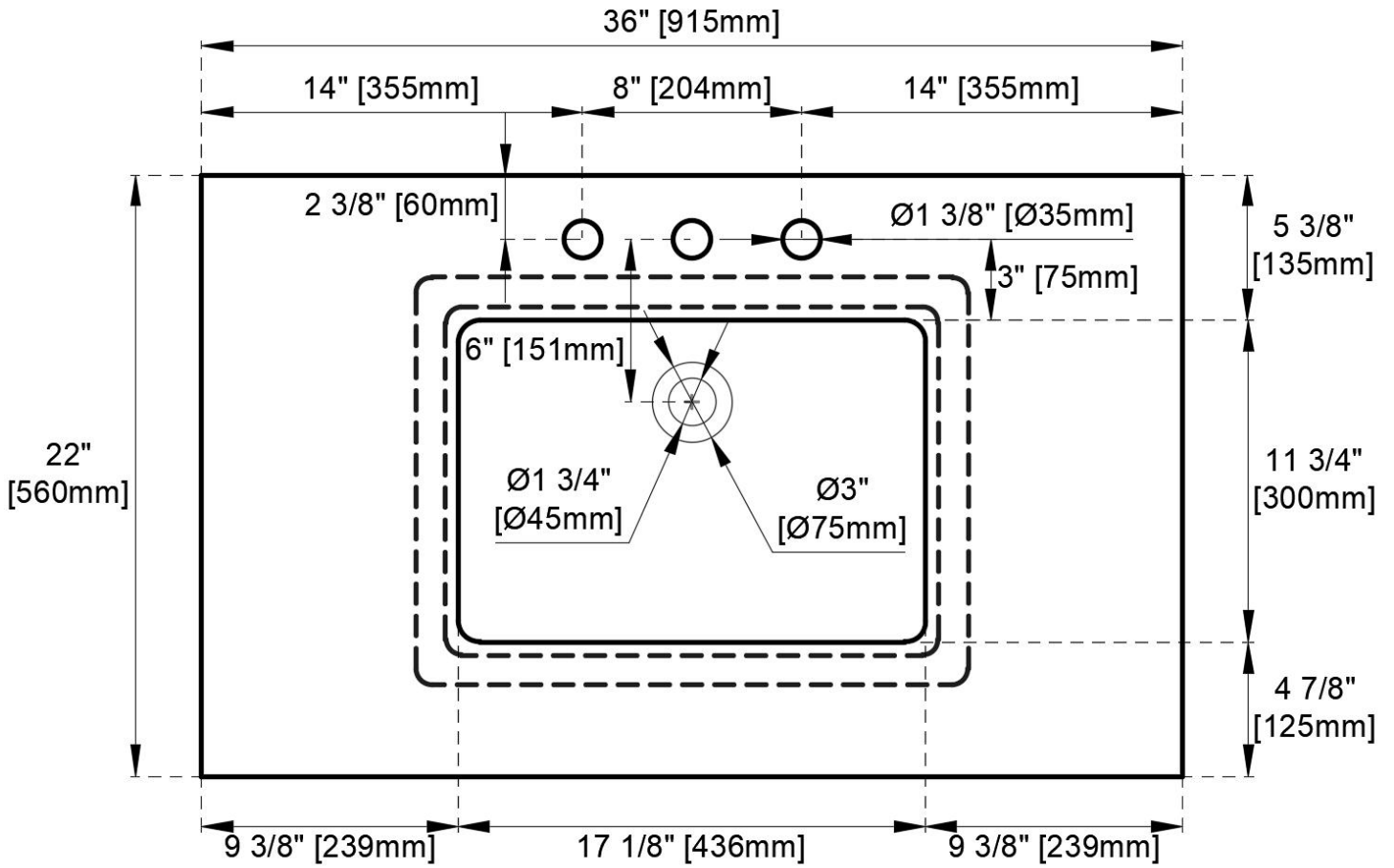
### Scratch Repairs

Small marks can often be fixed with grout or silica gel. For anything more serious, a professional should be consulted.

**Not Intended for Outdoor Use.**

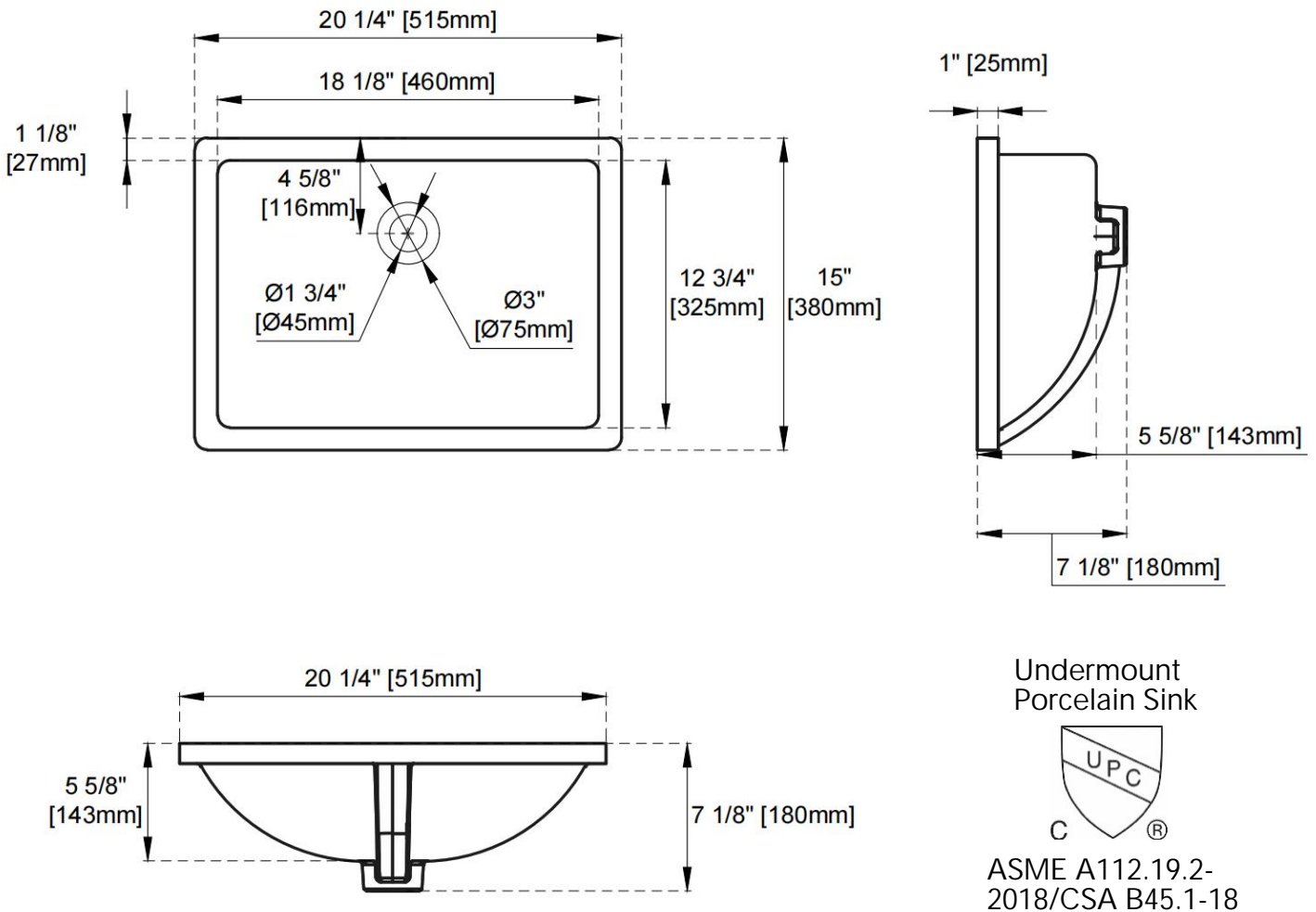
ARTIFEX QUARTZ for BRIO BATHWORKS

36" Countertop



All dimensions are nominal

UNDERMOUNT PORCELAIN SINK  
VIGLACERA US3



**FEATURES:**

- Designed to fit with A and B series quartz top
- Sink Material: Porcelain
- Integrated overflow
- Sink shape: Rectangular with sloped sides
- Sink glued on the quartz top
- Sink clips and hardware are attached.
- Drain not included
- Faucet not included
- Overflow cover not included

**EXTERNAL DIMENSIONS:**

Length: 20-1/4"  
Width: 15"  
Height: 7-1/8"

**INTERNAL BASIN DIMENSIONS:**

Basin Length: 18-1/8"  
Basin Width: 12-3/4"  
Basin Depth: 5-5/8"  
Fits Drain Hole Size: 1-3/4"

All dimensions are nominal