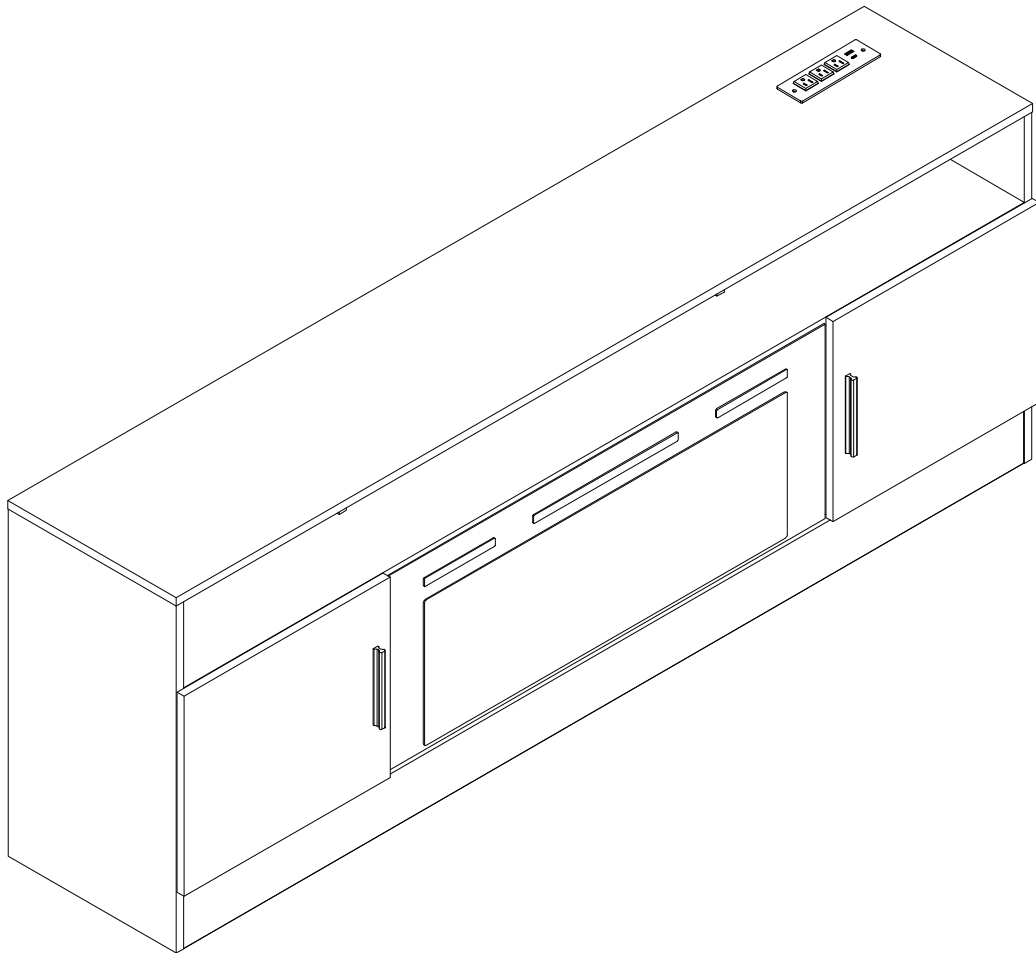


MANUAL INSTRUCTION



TV Stand
TV-Schrank
Armoire TV
Gabinete de televisión
Mobile TV
テレビキャビネット

We offer a diverse range of products
to meet the needs of customers.

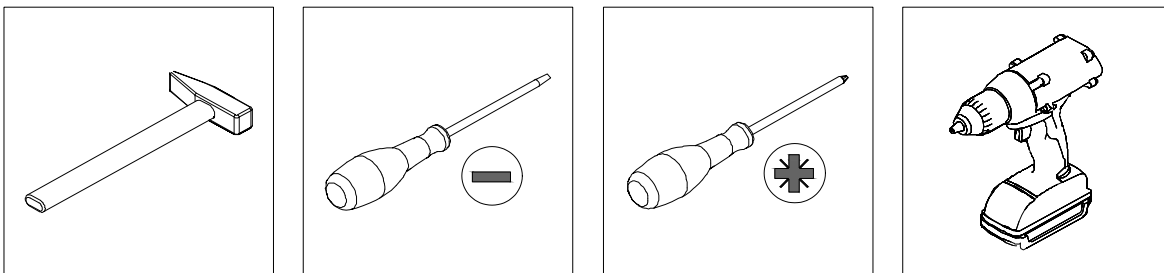
Notes

1. The product must be assembled and used in accordance with the provisions of the manual. The seller does not assume any responsibility or liability with respect to any damage caused by incorrect assembly or improper use.
2. Periodically inspect screw tightness while the product is in use. If necessary, retighten to ensure structural integrity.
3. Please read assembly instructions before start.
4. Please remember : This summary may not include every detail of all variations or considered steps.
- * 5. Please contact us when further information are needed.

Warnings

1. It is strictly prohibited to sit or stand on the product.
2. Please put this item on a flat ground.
3. During the assembly process, keep any small parts out of the reach of children. It may be fatal if swallowed or inhaled
4. To avoid the potential dangers of suffocation, please keep all parts and packaging (films, plastic bags and foam, etc.) away from babies and children.
5. If there is/are defective and/or missing part(s) after unpacking, please cease assembly immediately and get in contact with us as soon as possible.

Tools Required



If electric tools are required, please reduce the torque to prevent product damage during installation.

PARTS



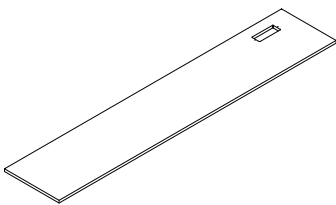
2 Persons Assembly



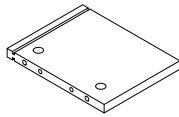
Up to 60 Minutes For Assembly



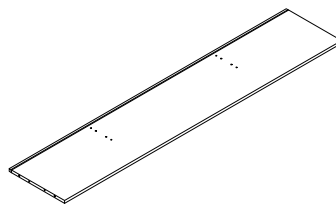
When installing, please carefully confirm whether each screw corresponds to the manual, accessories with similar shapes can be distinguished by size.



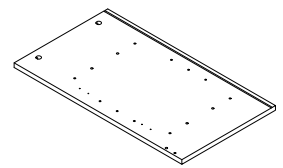
1 x1



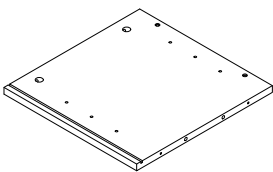
2 x2



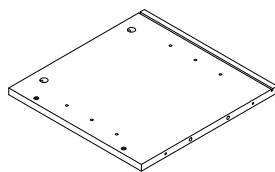
3 x1



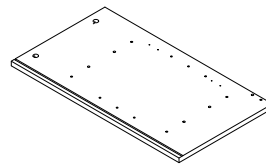
4 x1



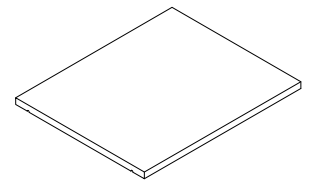
5 x1



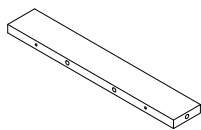
6 x1



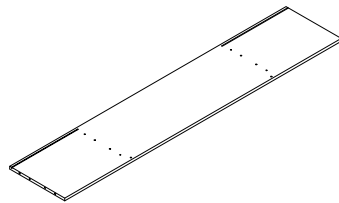
7 x1



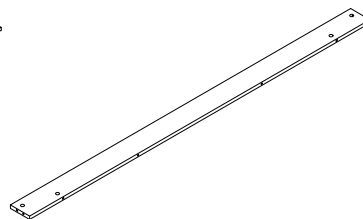
8 x2



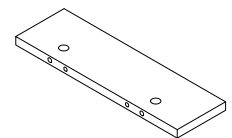
9 x2



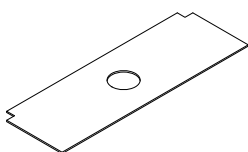
10 x1



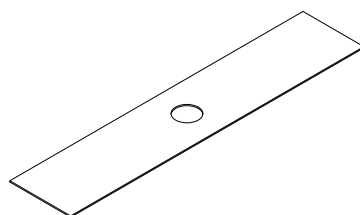
11 x1



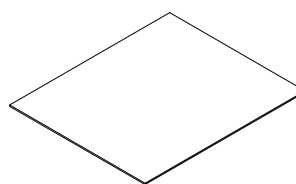
12 x2



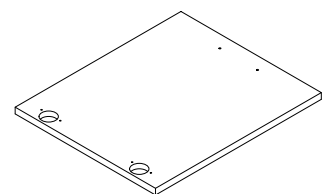
13 x2



14 x1



15 x2



16 x2

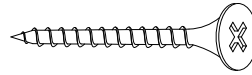
HARDWARE



Φ6x35mm
A x28



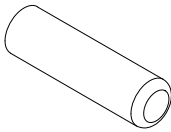
Φ15x9mm
B x28



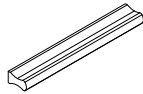
M4x40mm
C x12



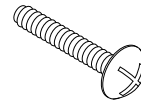
Φ6x30mm
D x44



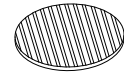
Φ5x20mm
E x8



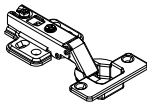
96mm
F x2



M4x18mm
G x4



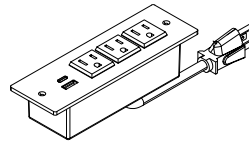
Φ20mm
H x12



Φ35mm
I x4

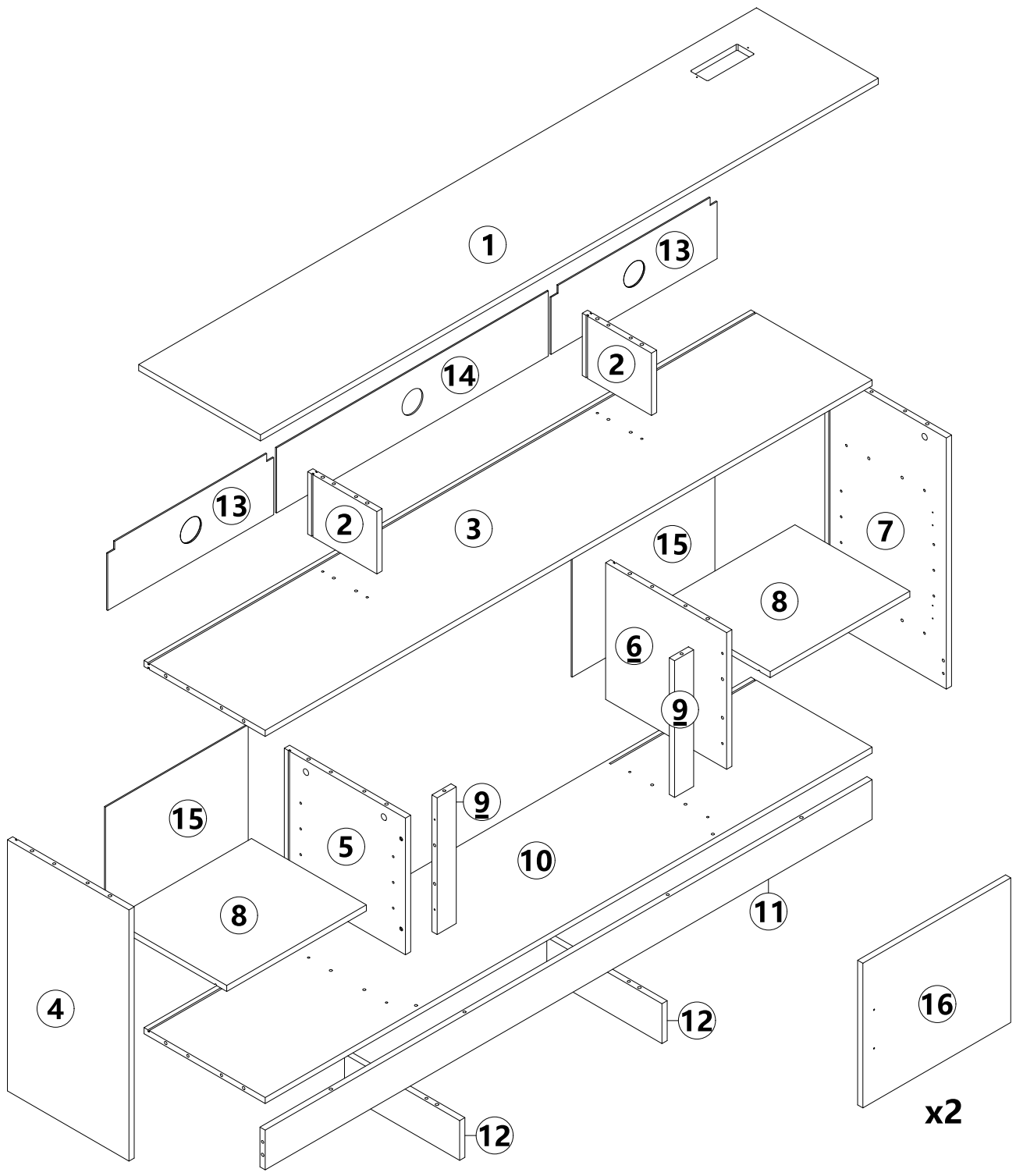


M3.5x14mm
J x26

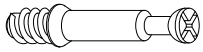


K x1

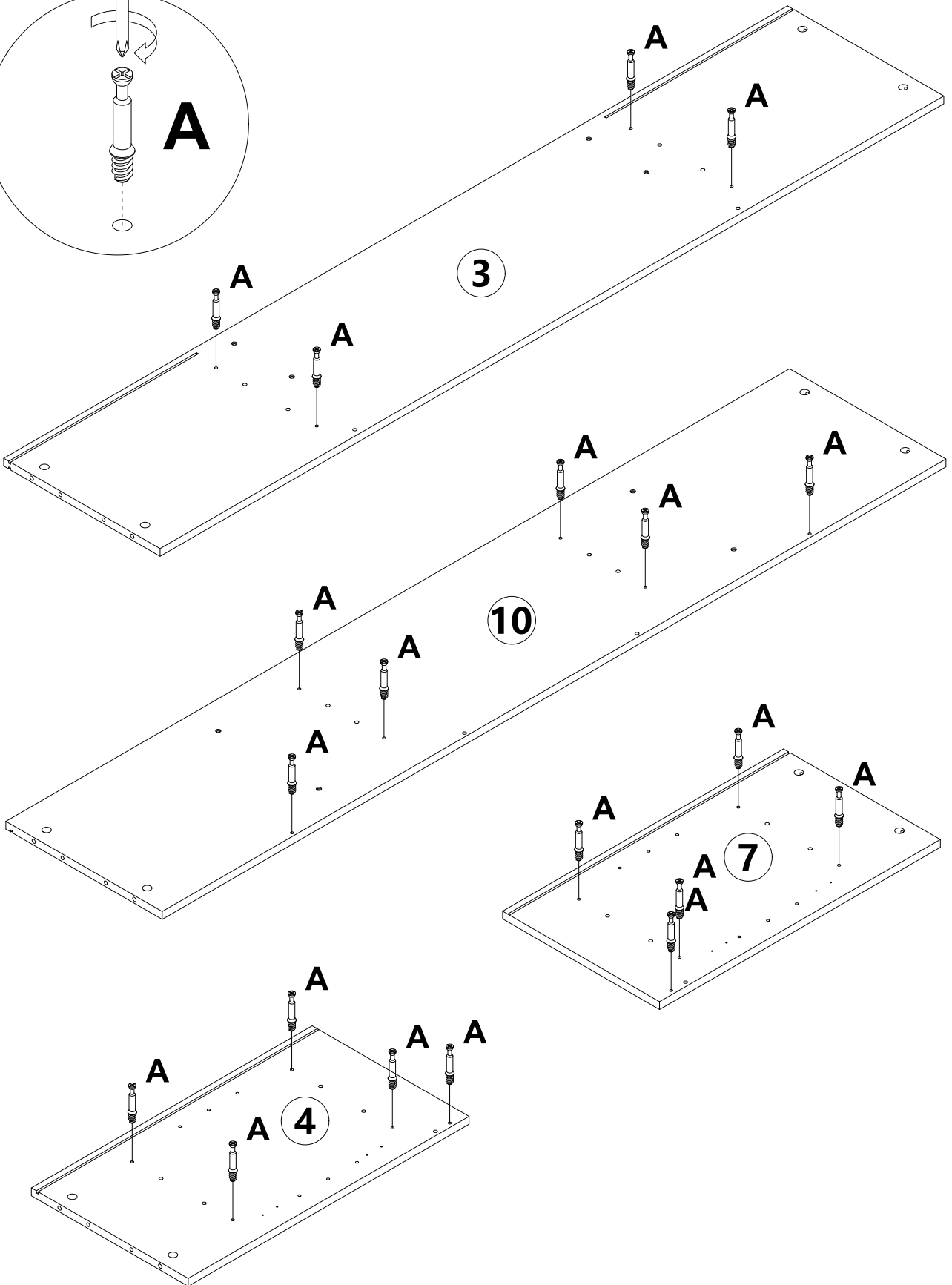
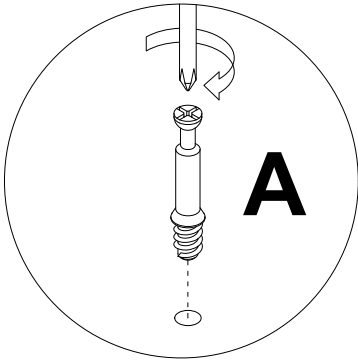
EXPLOSION DIAGRAM



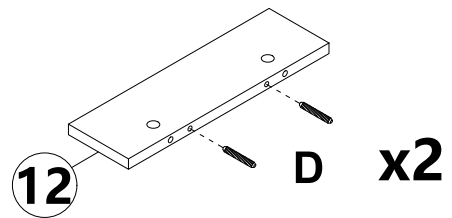
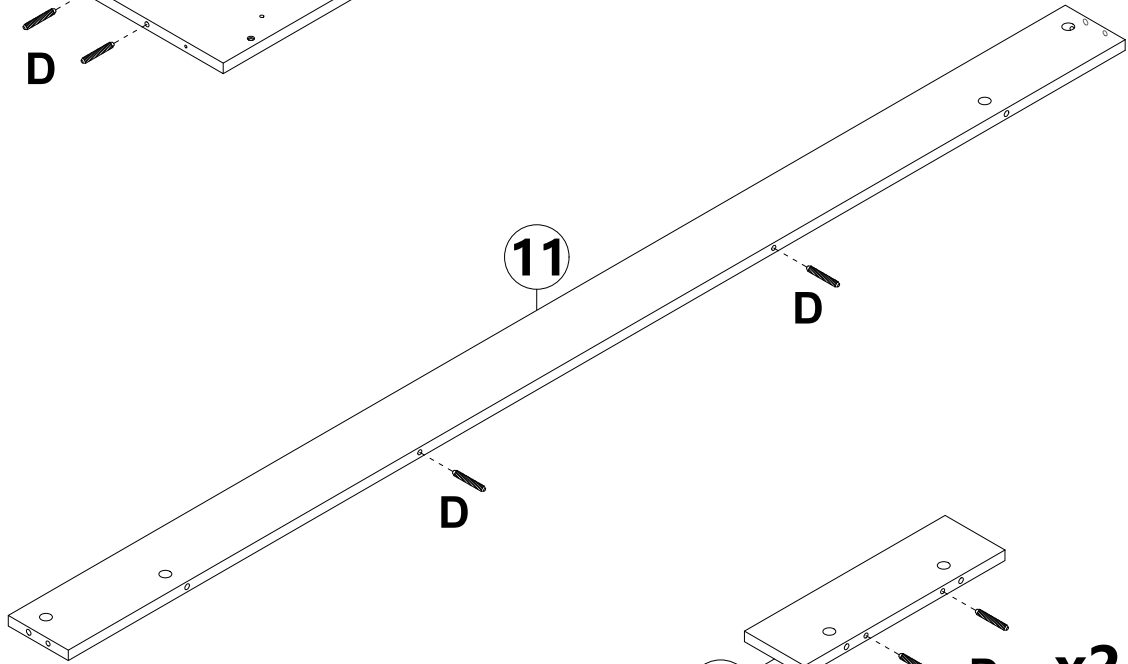
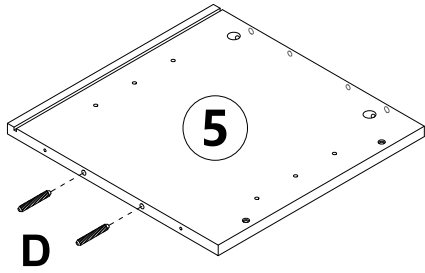
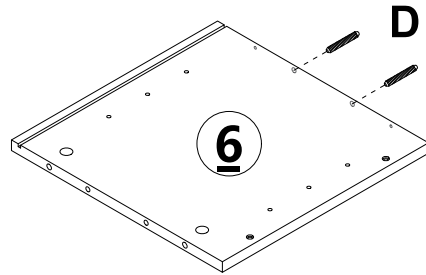
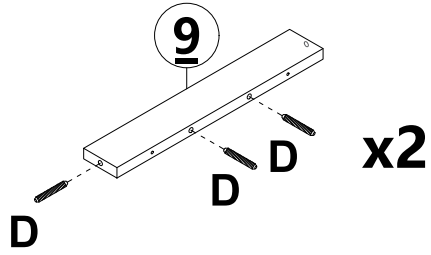
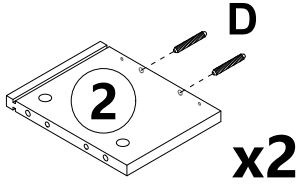
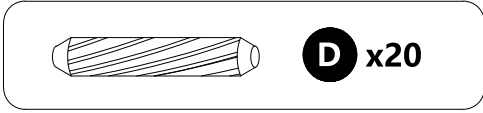
1



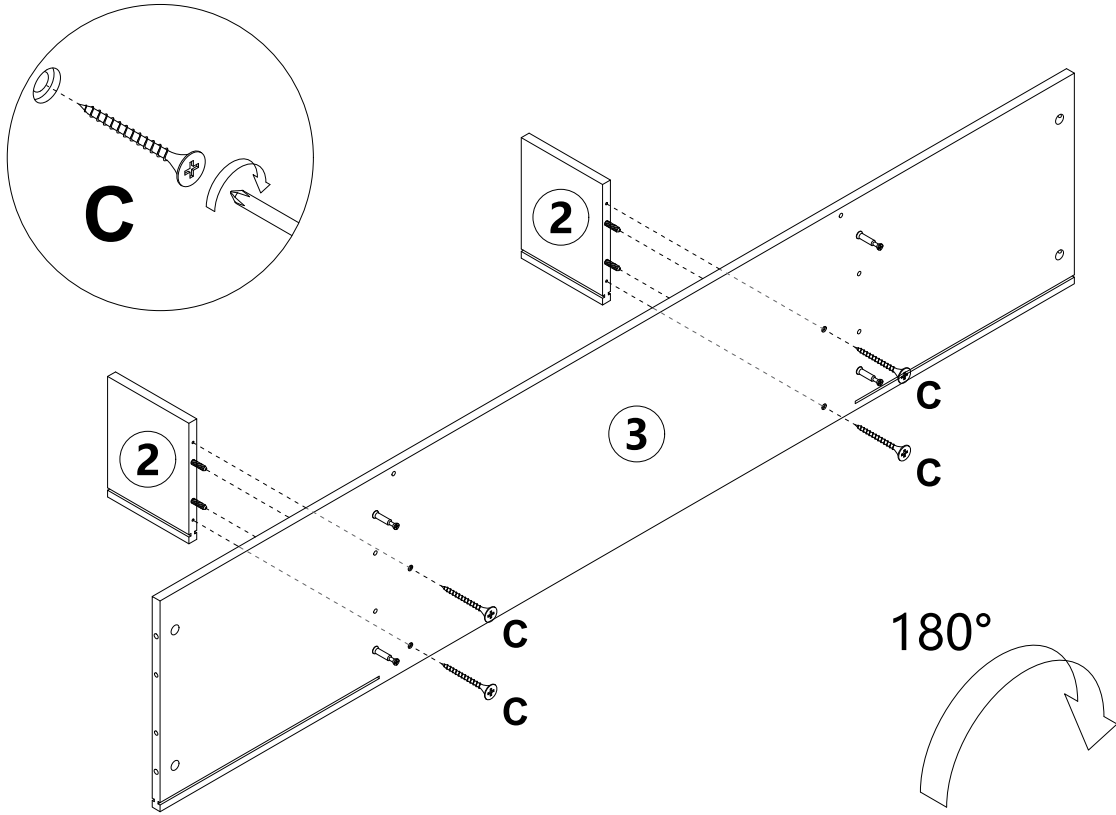
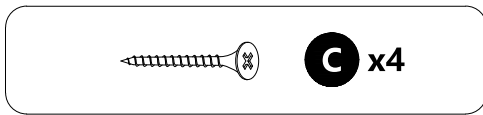
A x20



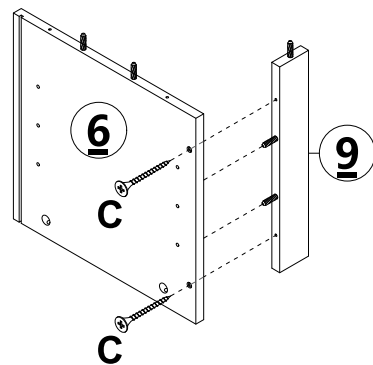
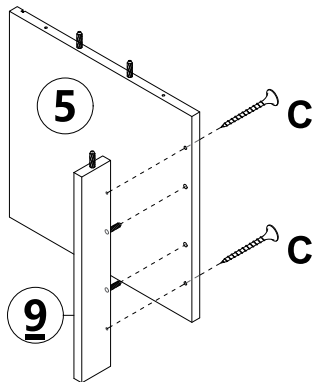
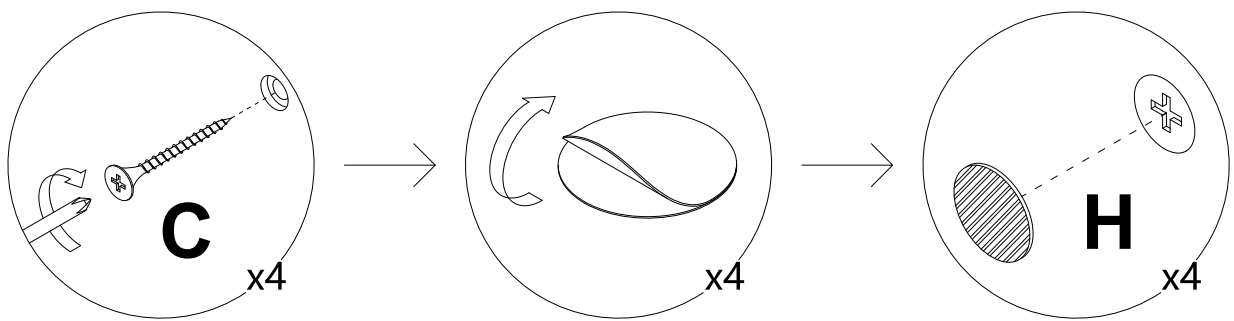
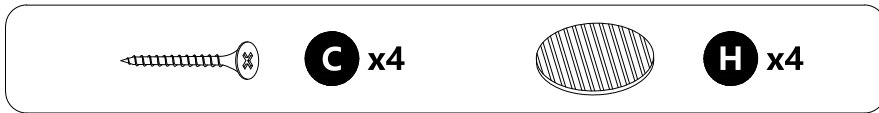
2



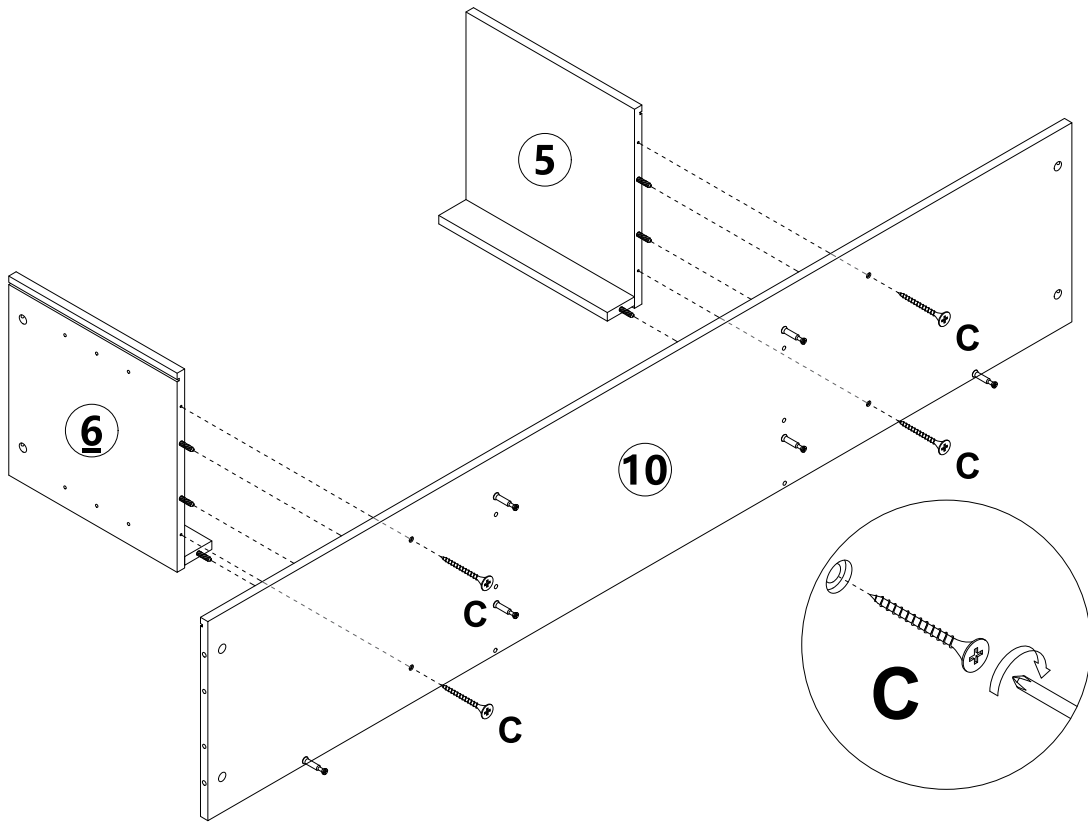
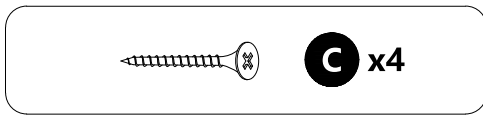
3



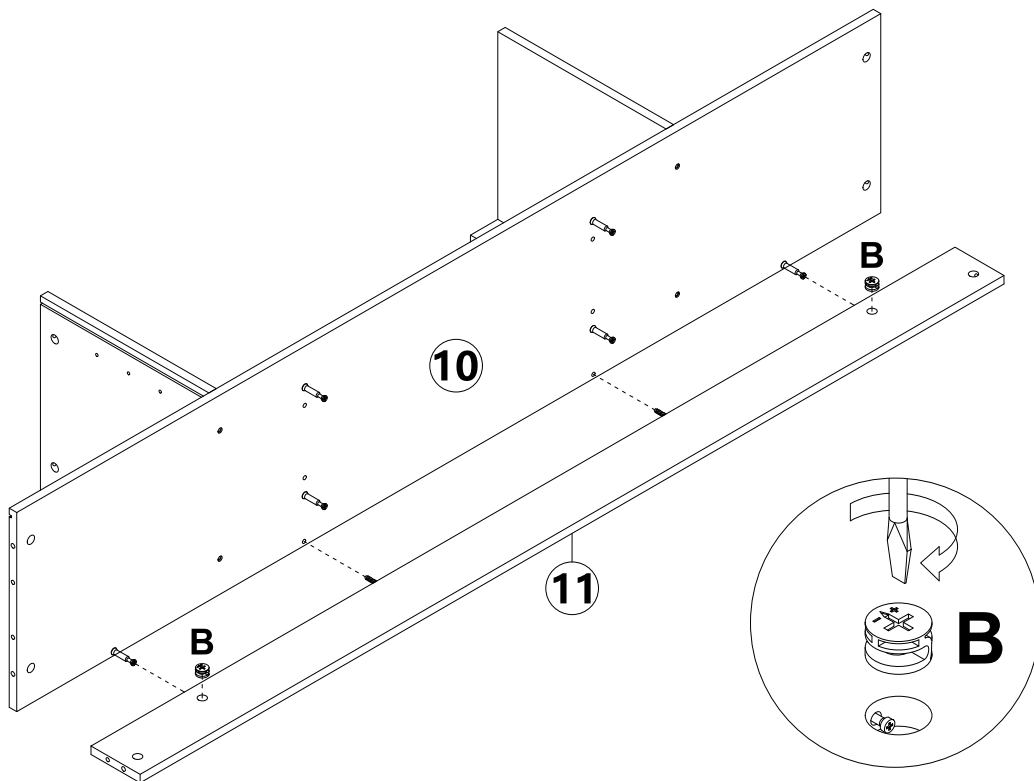
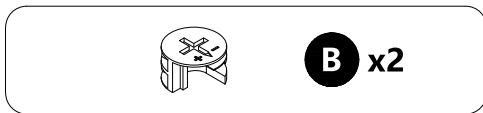
4



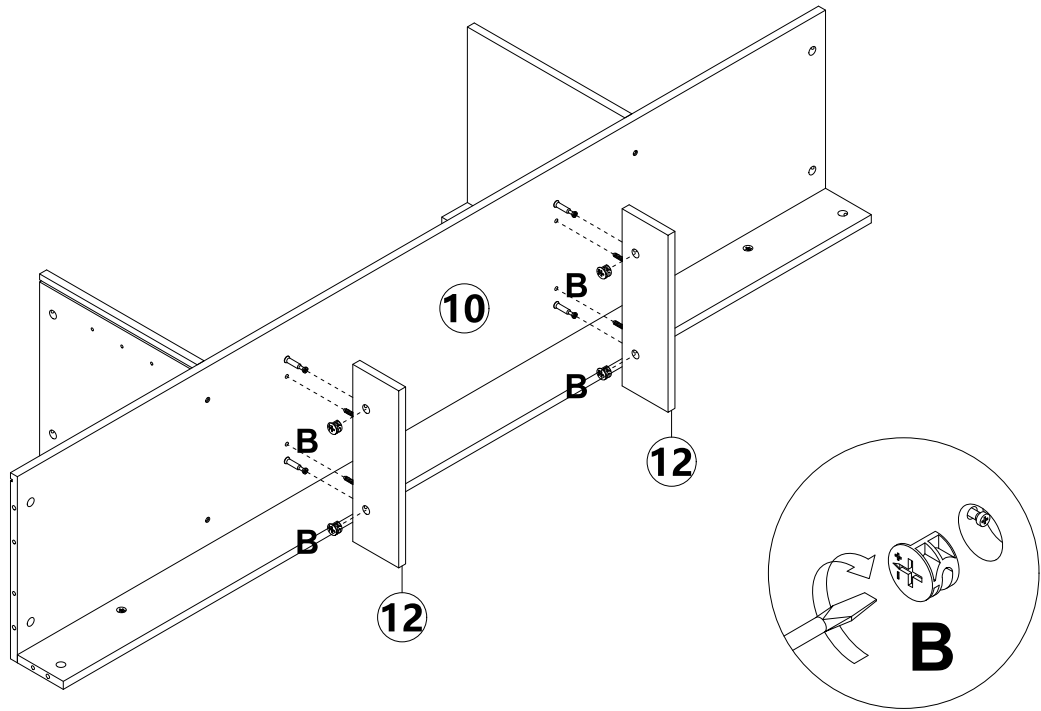
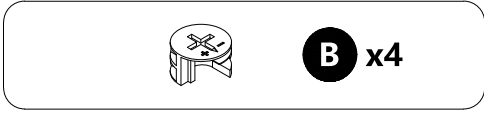
5



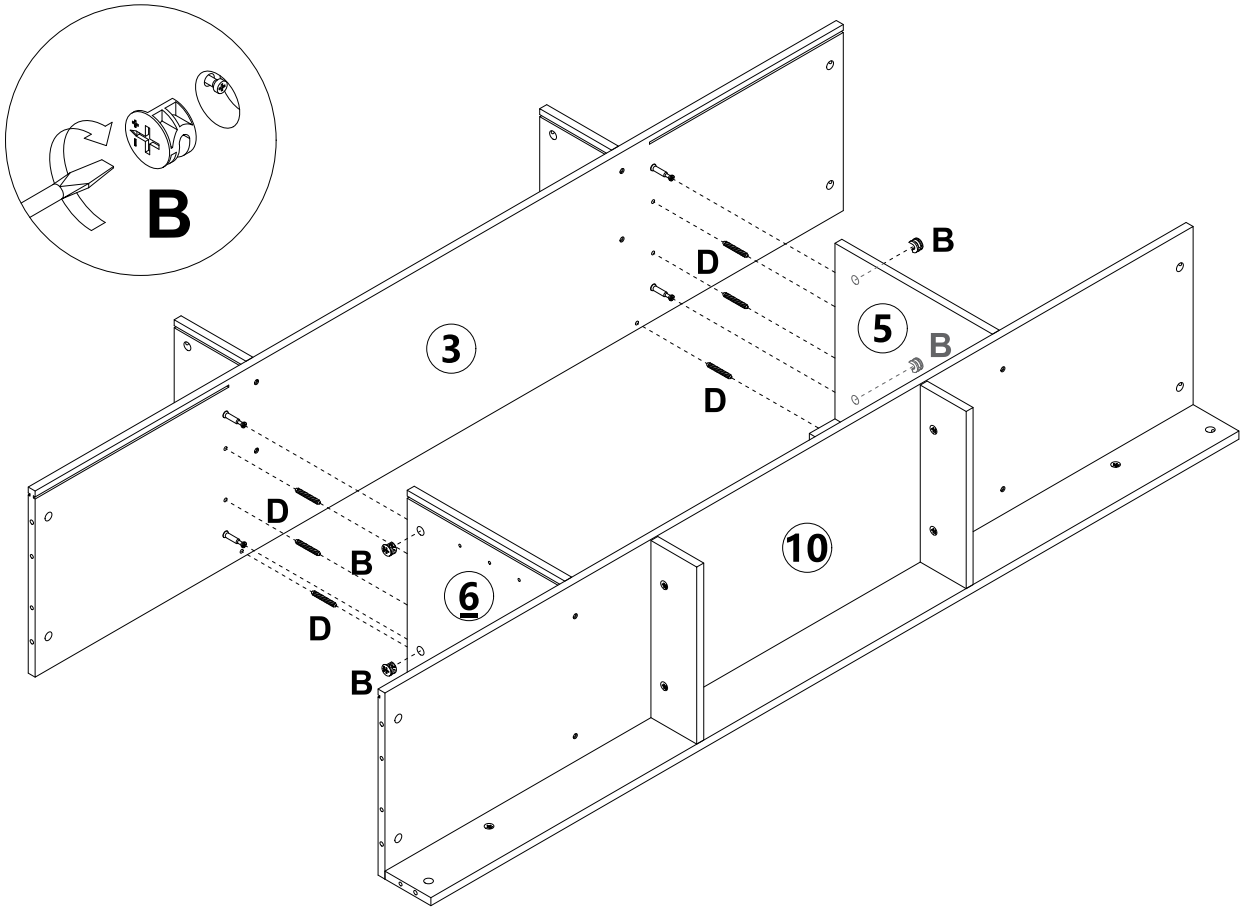
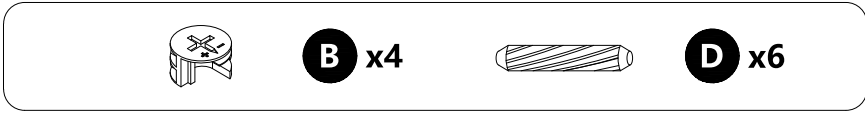
6



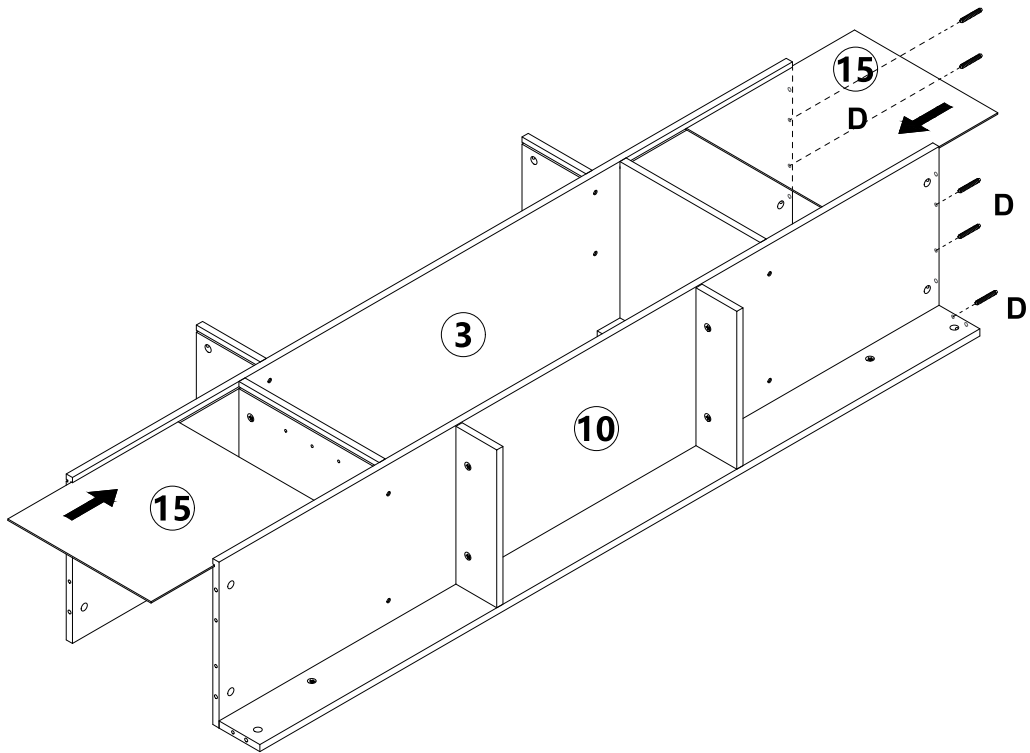
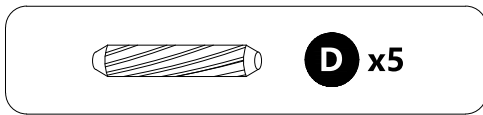
7



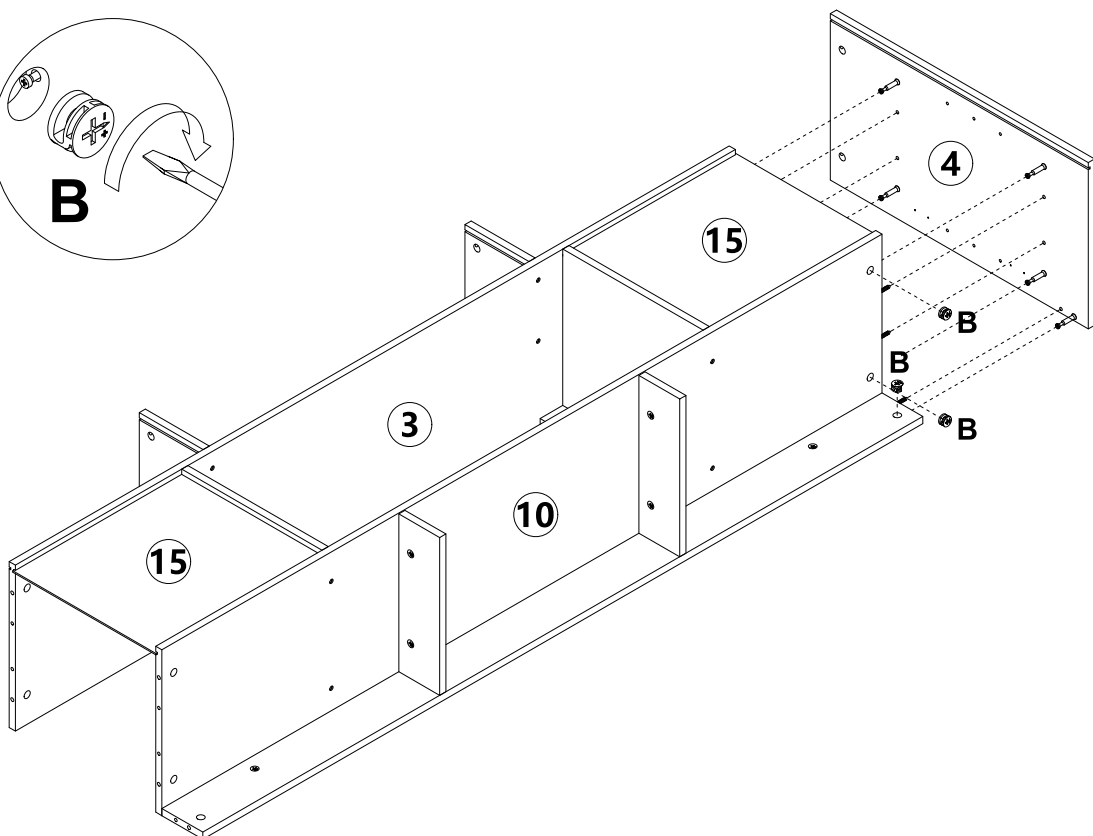
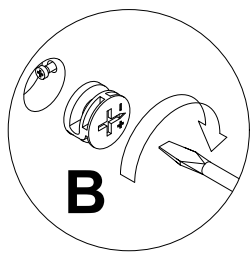
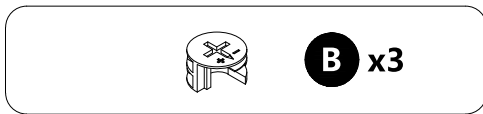
8



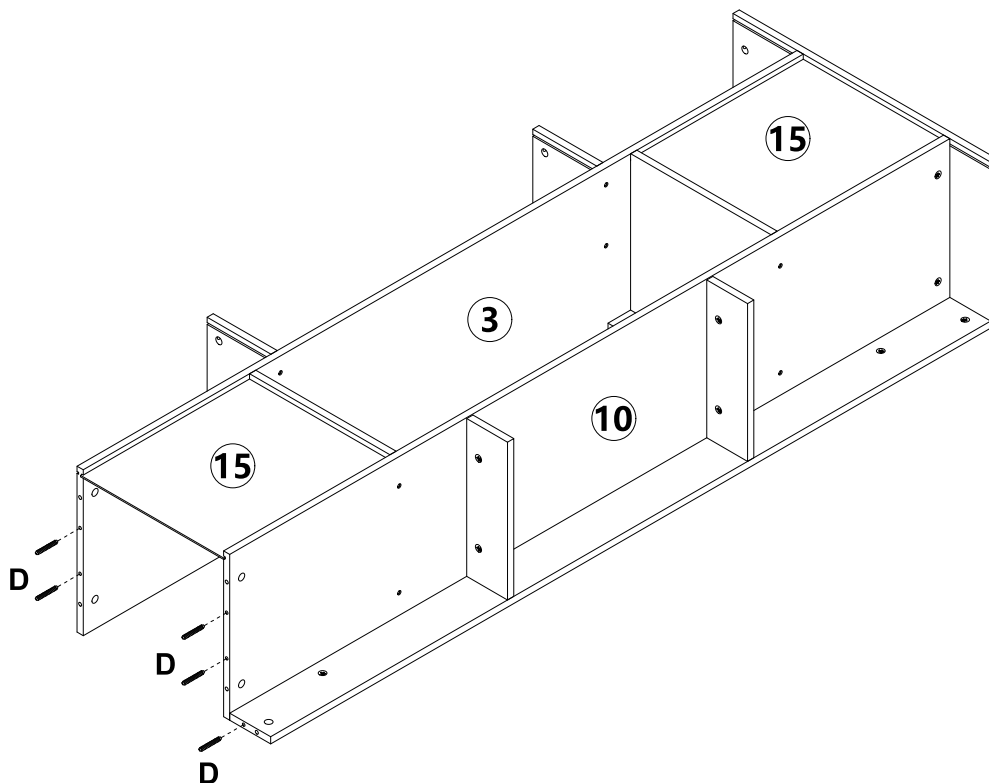
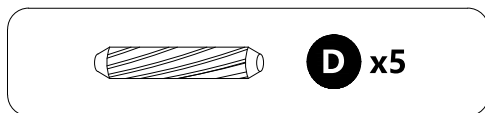
9



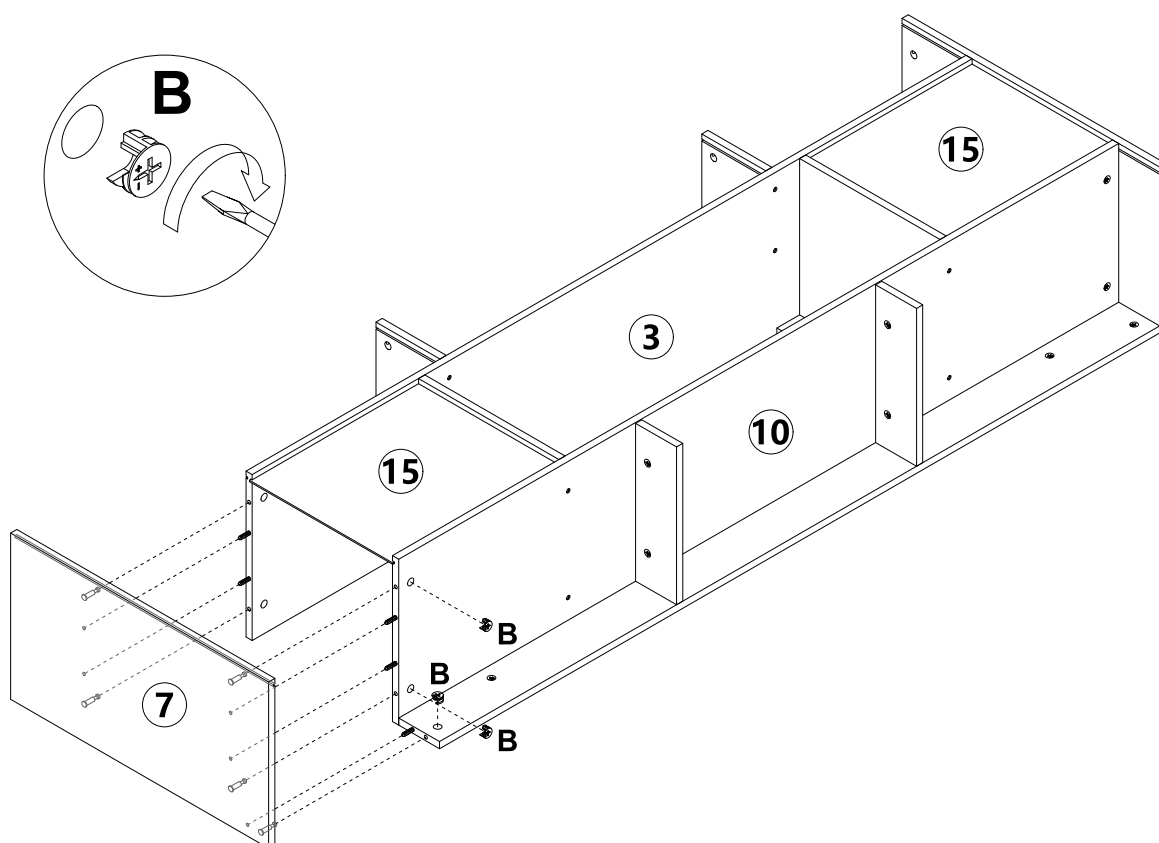
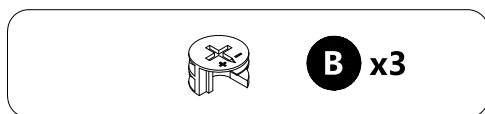
10



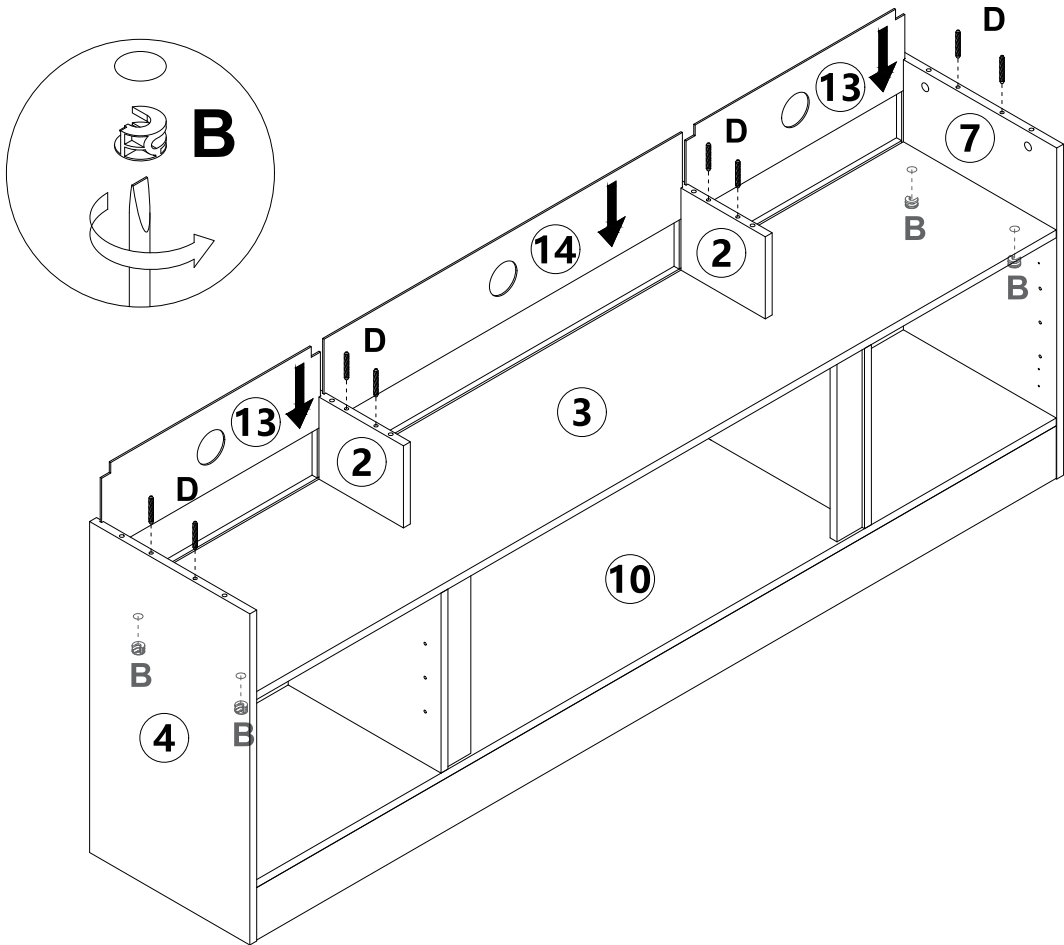
11



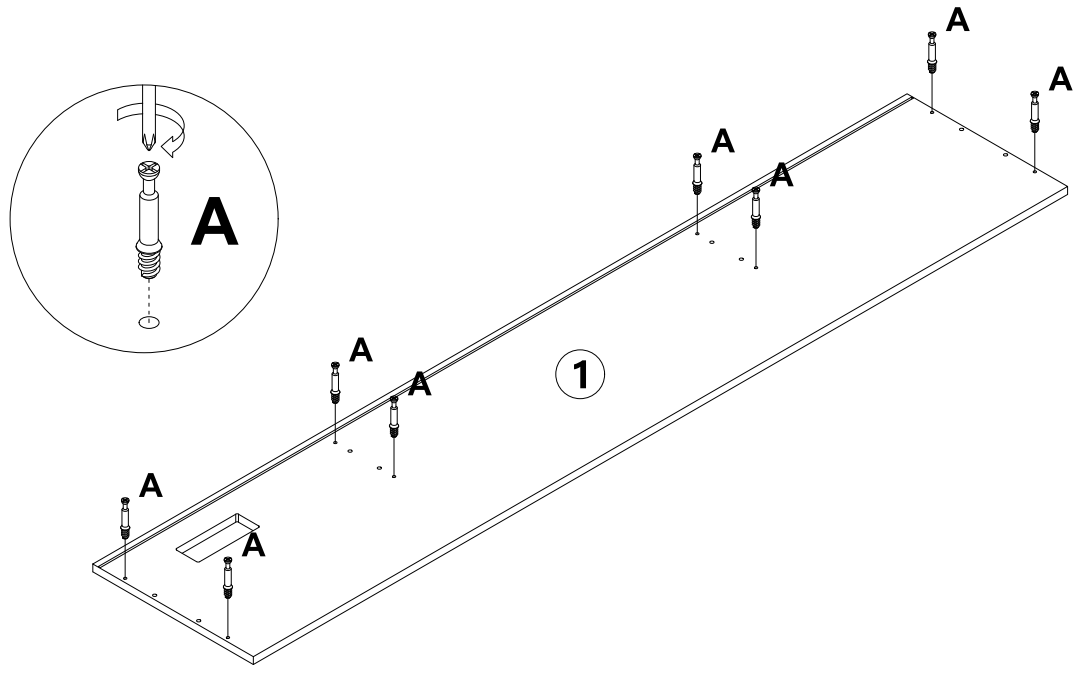
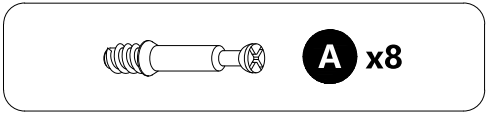
12



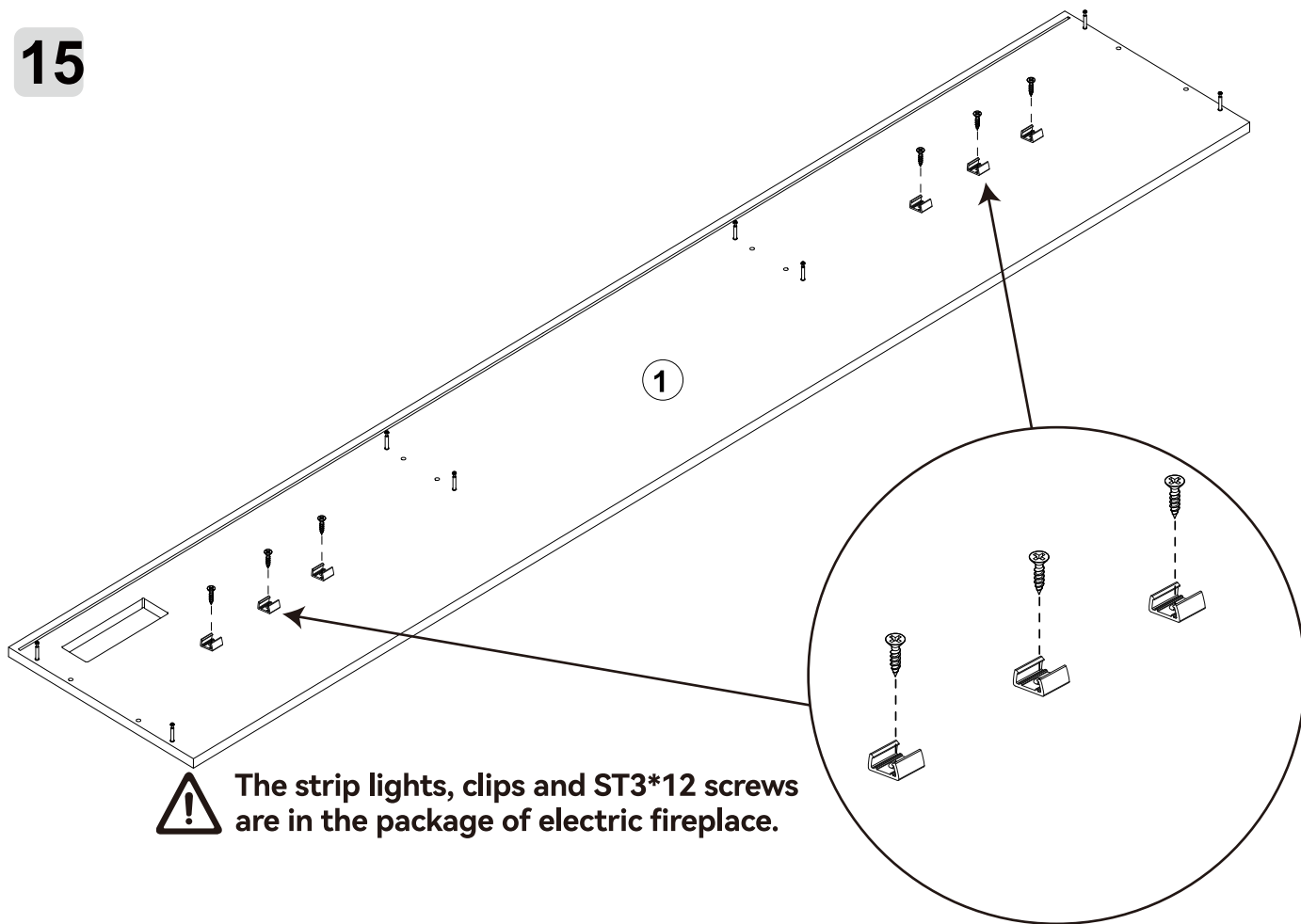
13



14



15

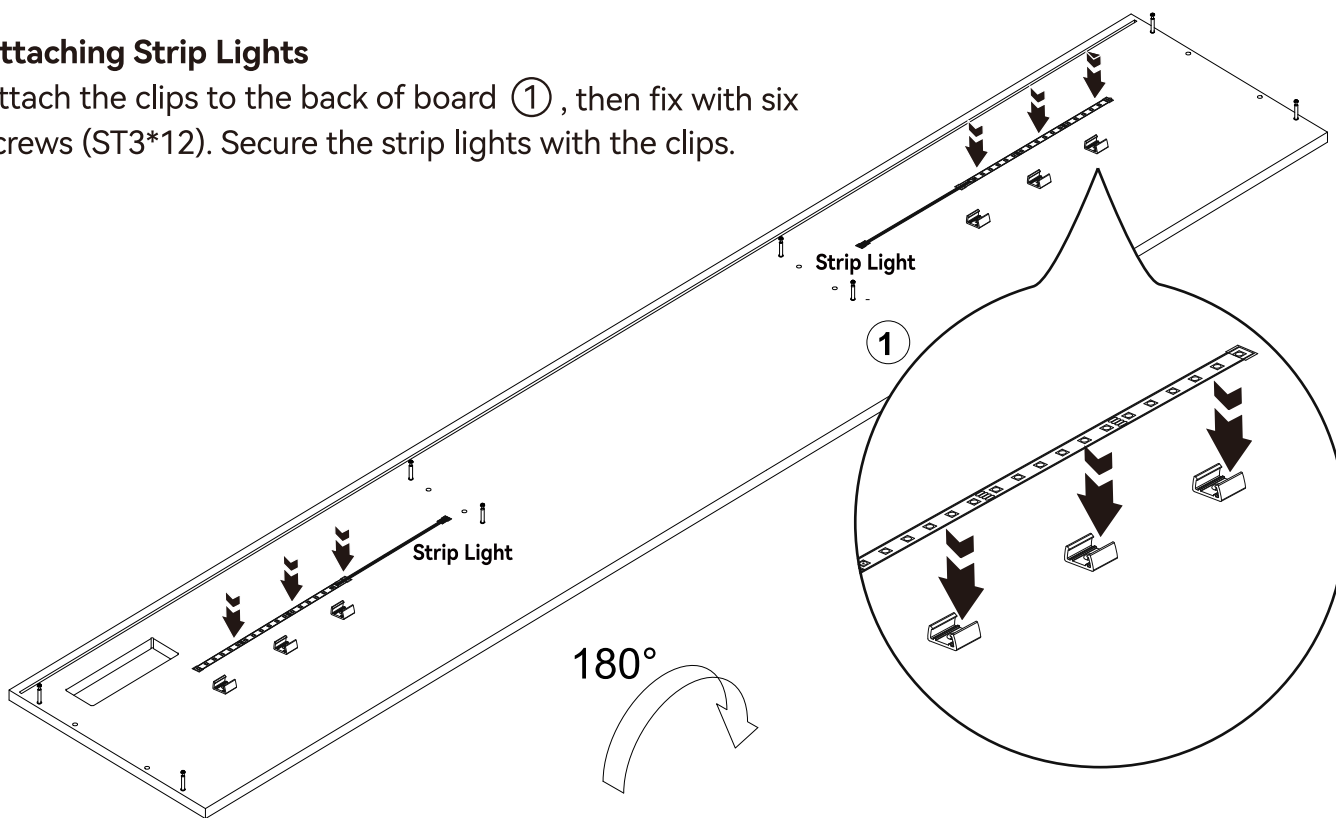


! The strip lights, clips and ST3*12 screws are in the package of electric fireplace.

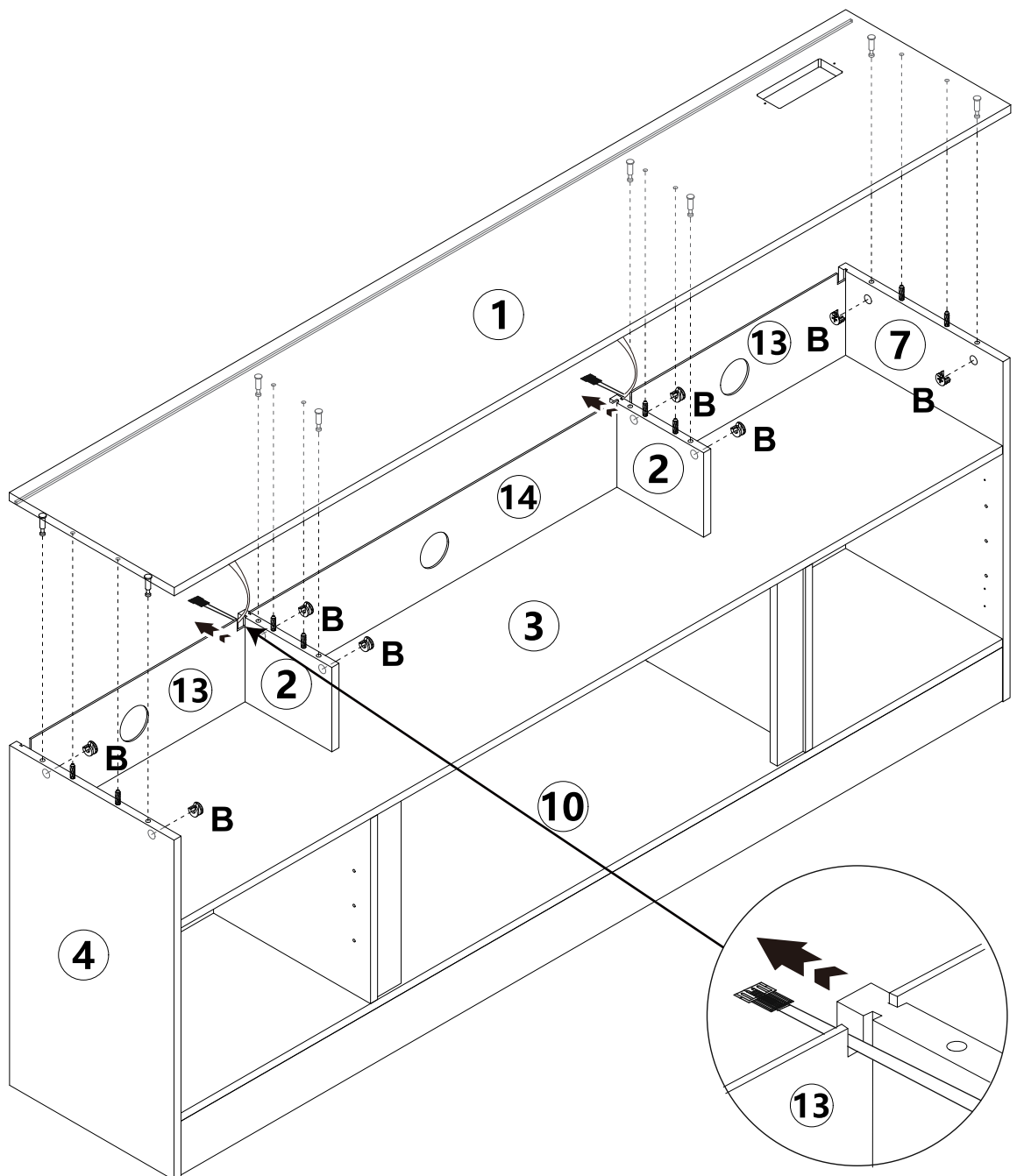
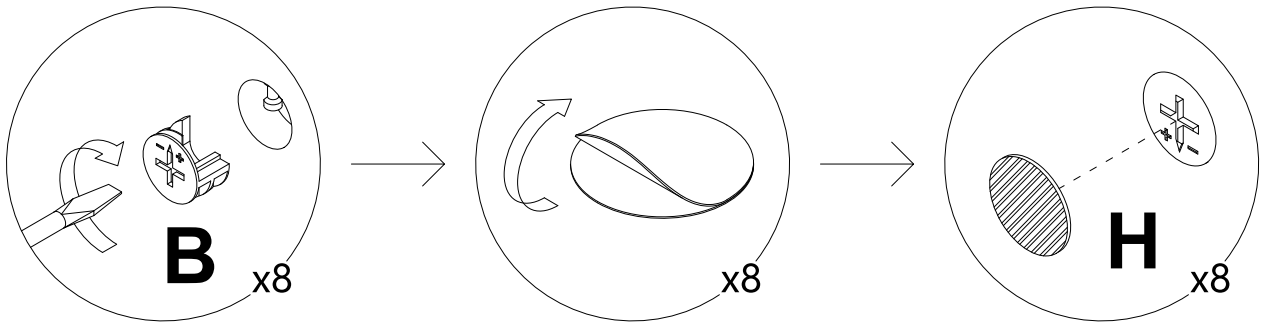
16

Attaching Strip Lights

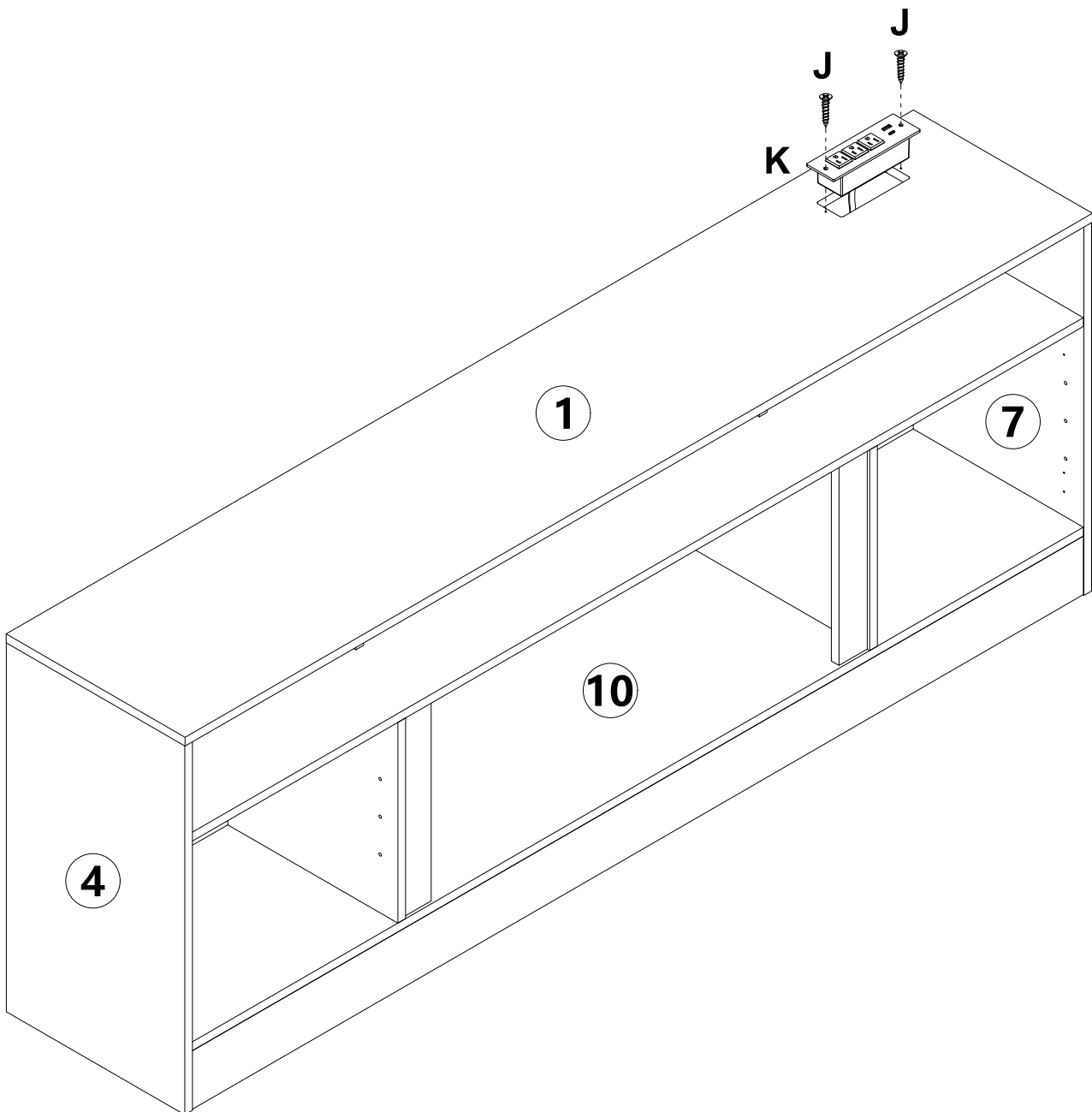
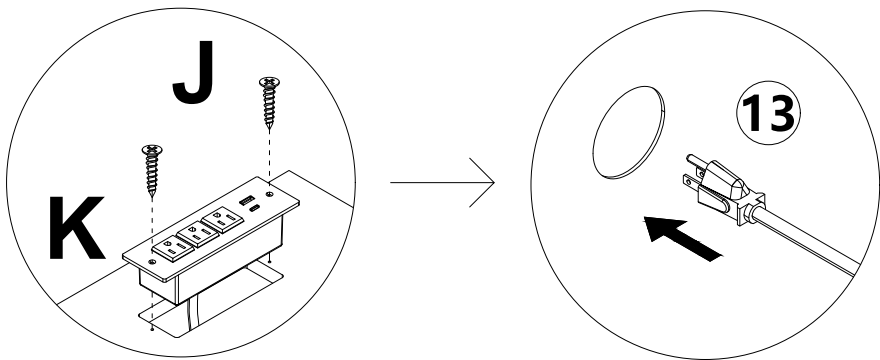
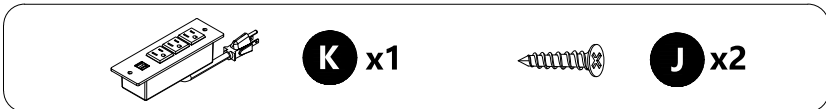
Attach the clips to the back of board ①, then fix with six screws (ST3*12). Secure the strip lights with the clips.



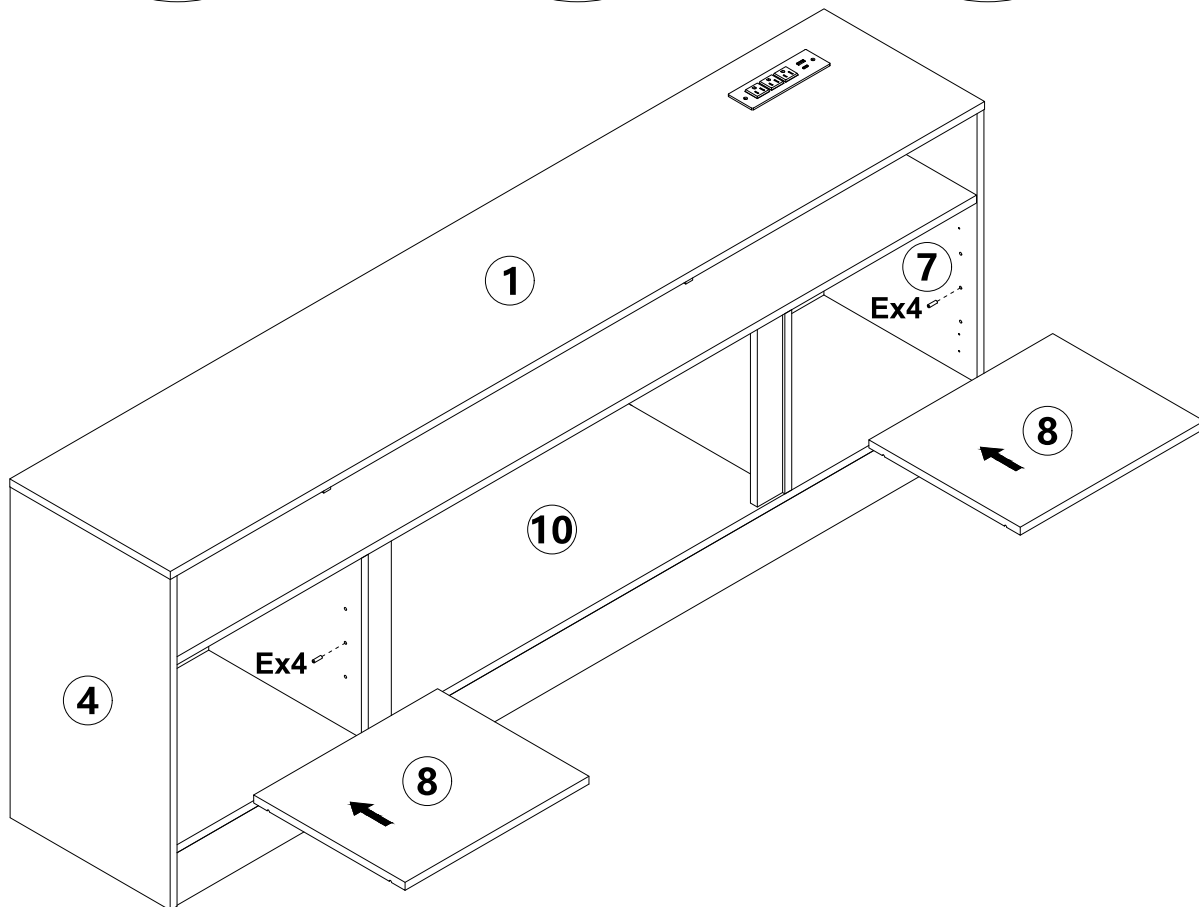
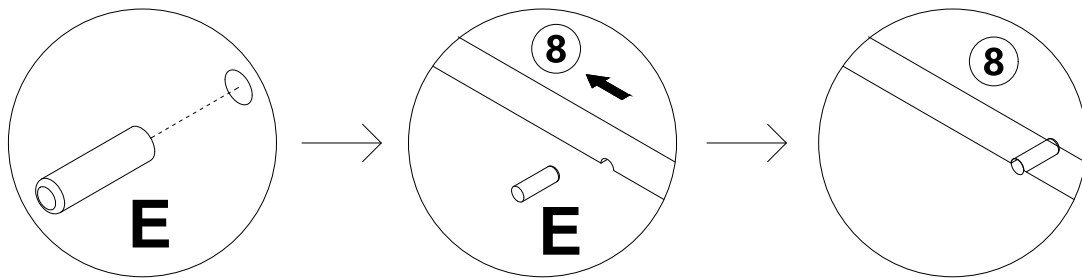
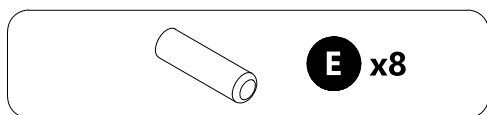
17



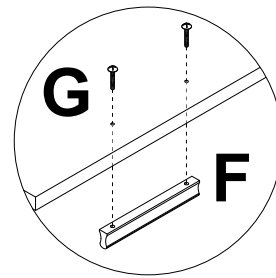
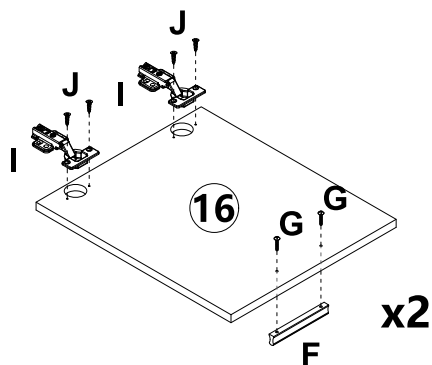
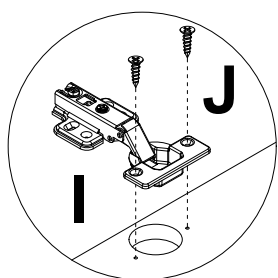
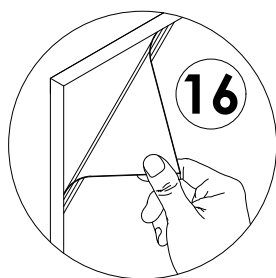
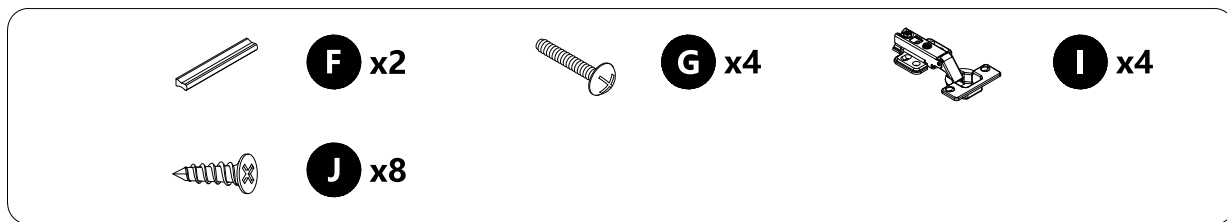
18



19



20

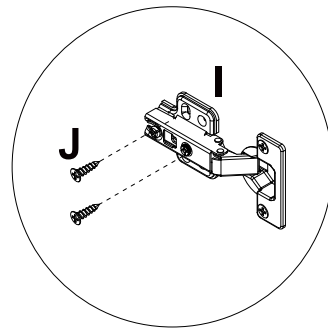
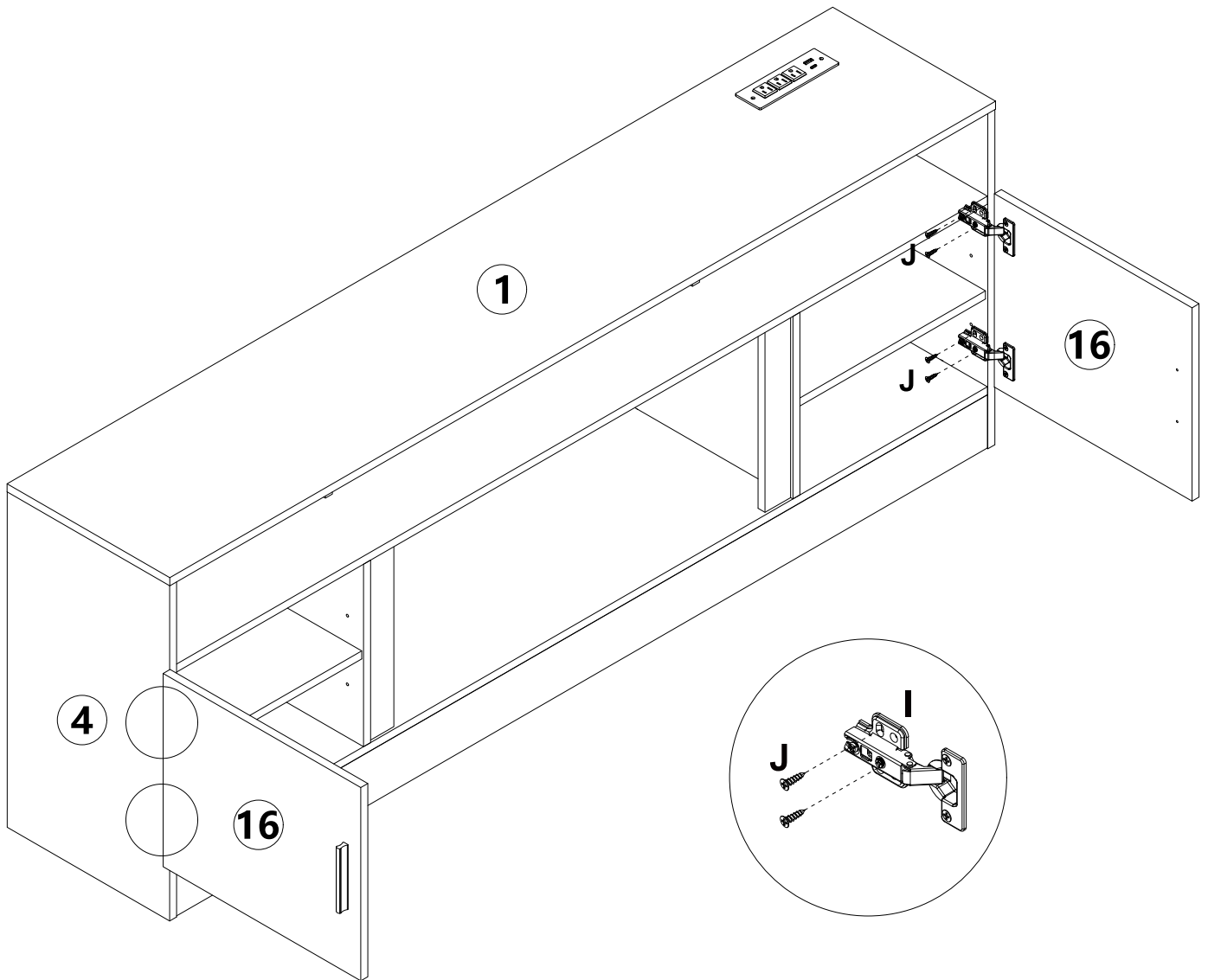


17

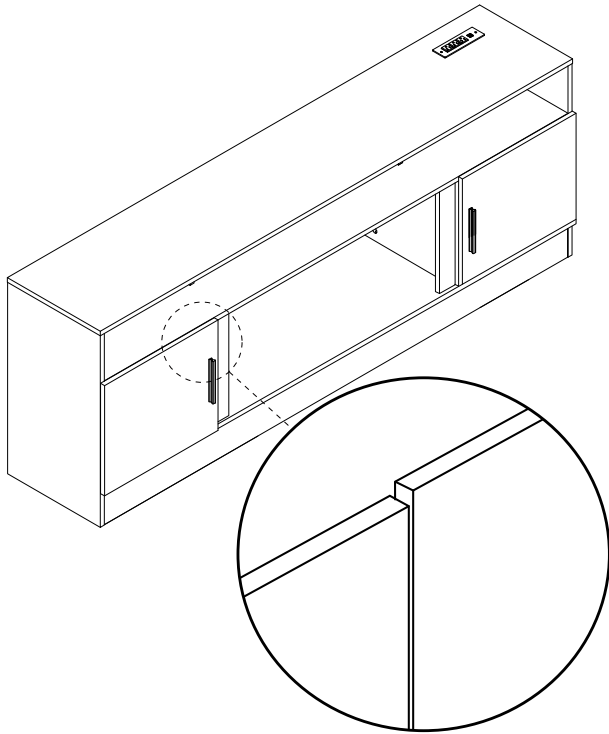
21



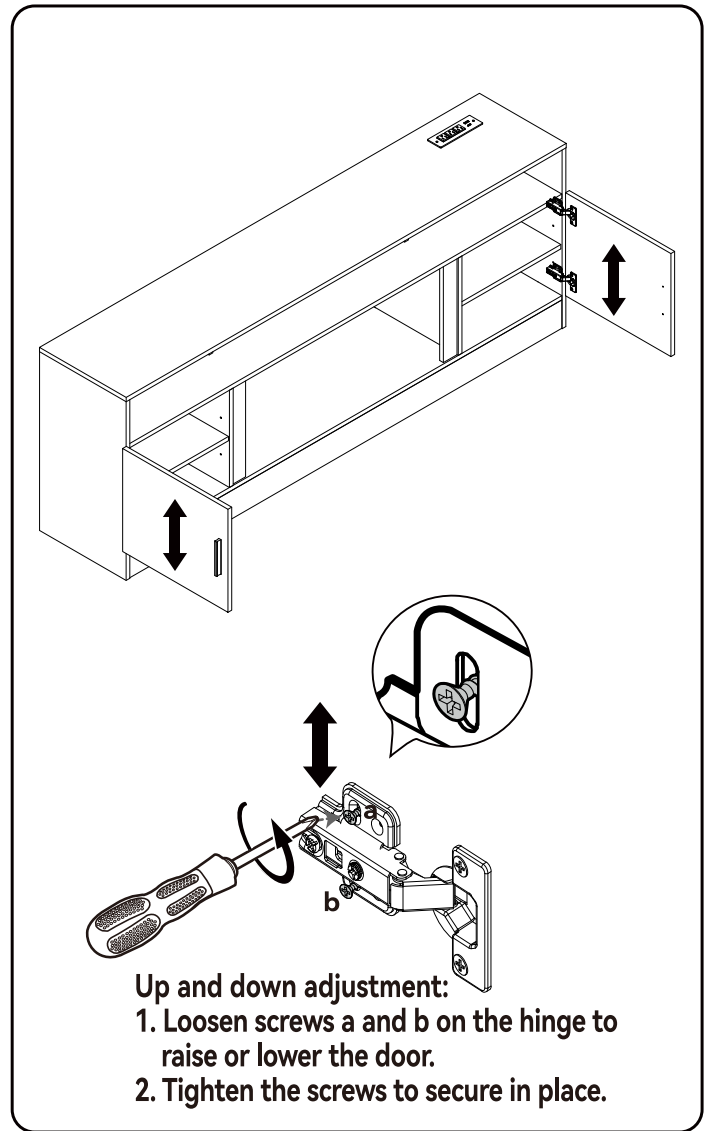
J x 8



22



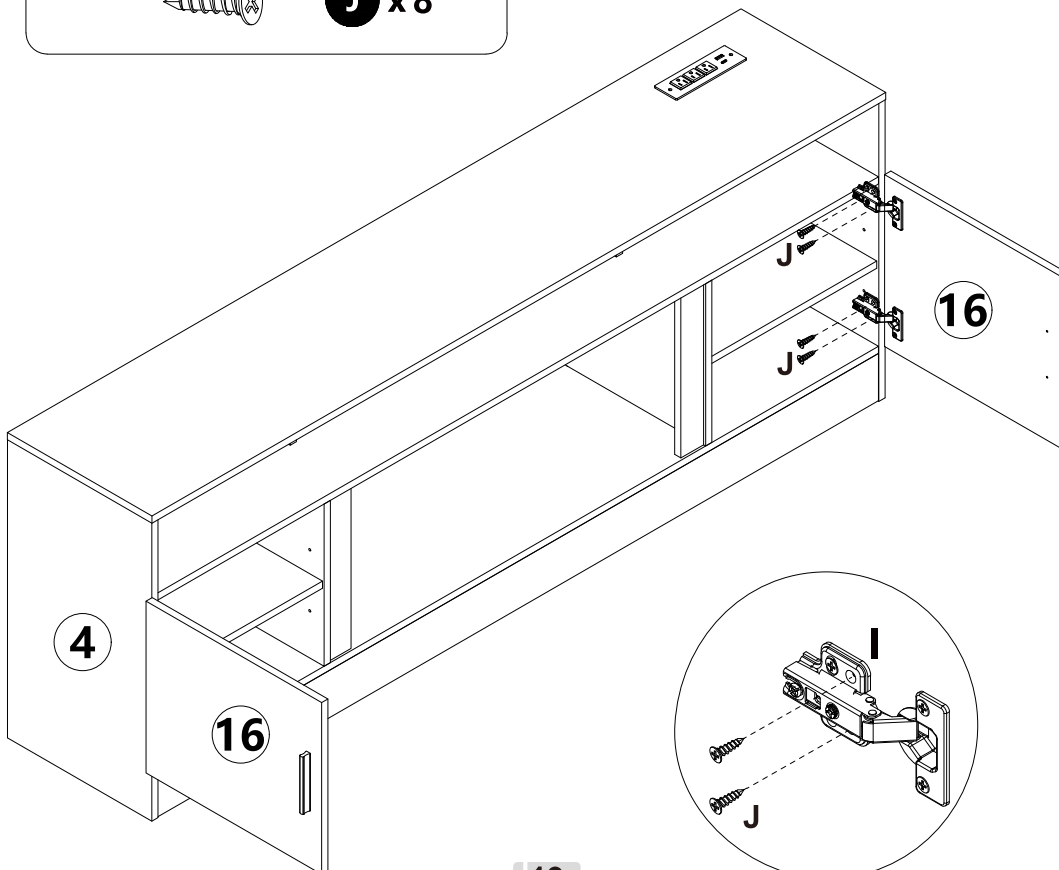
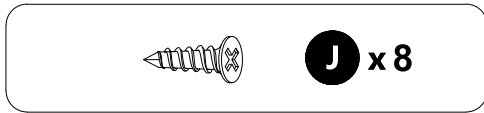
If the doors are not aligned, adjust as instructed below.



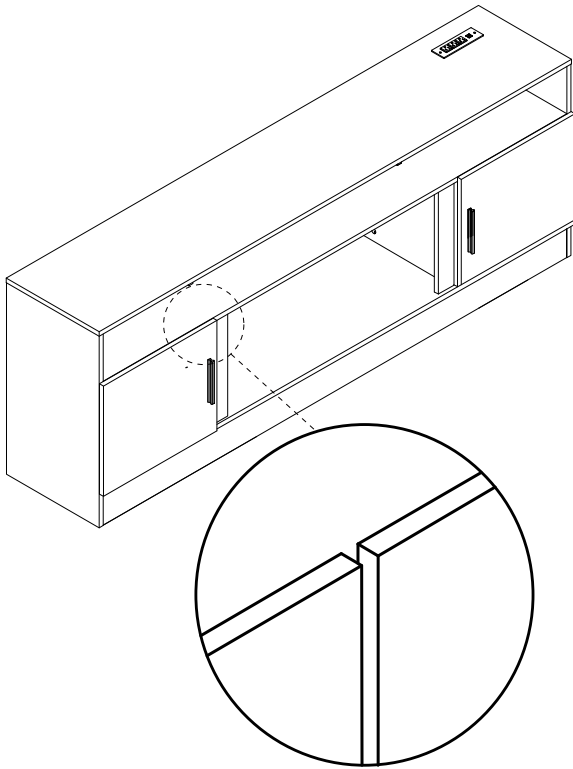
Up and down adjustment:

1. Loosen screws a and b on the hinge to raise or lower the door.
2. Tighten the screws to secure in place.

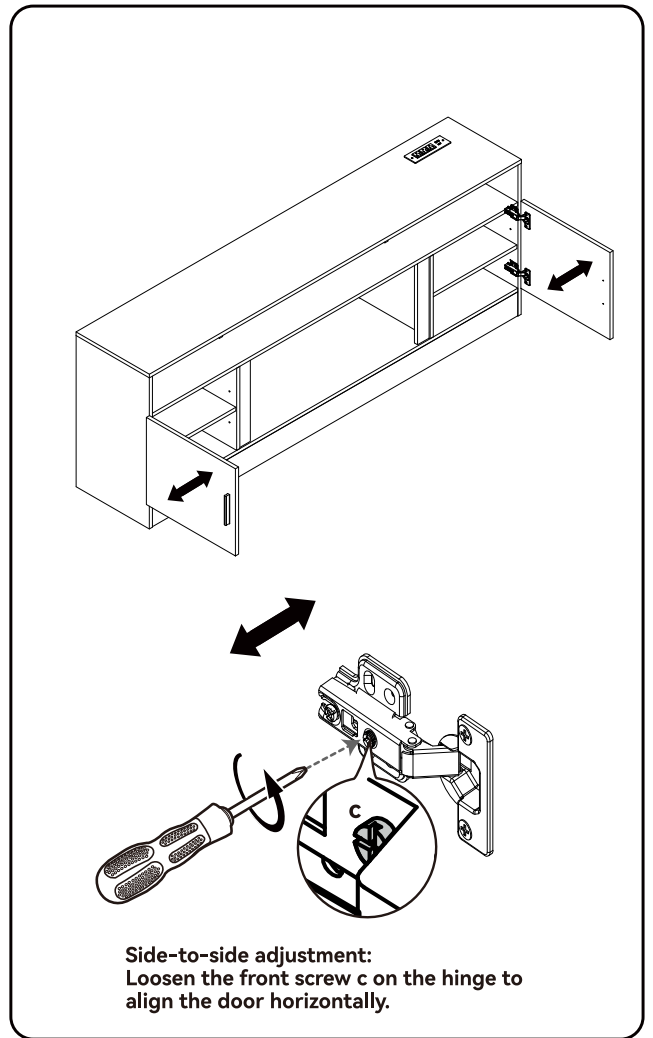
23



24

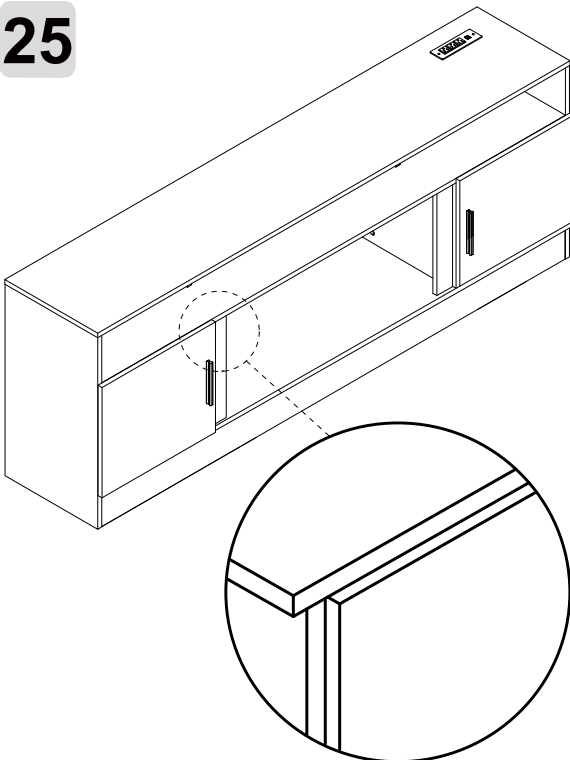



 If there is excessive gap between doors or doors overlap, adjust as instructed below.

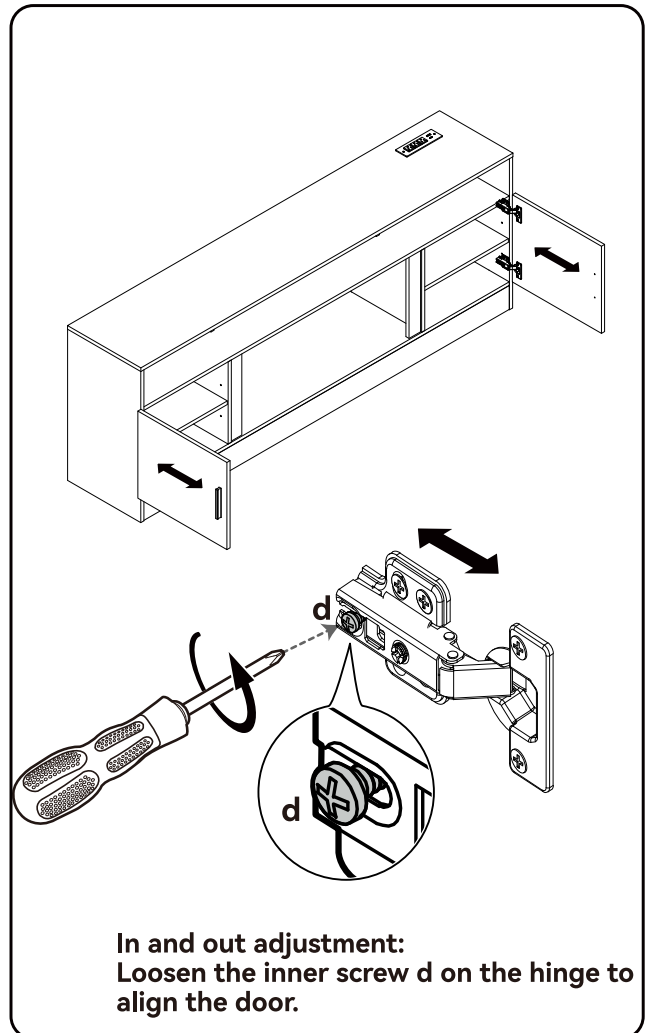


Side-to-side adjustment:
Loosen the front screw c on the hinge to align the door horizontally.

25



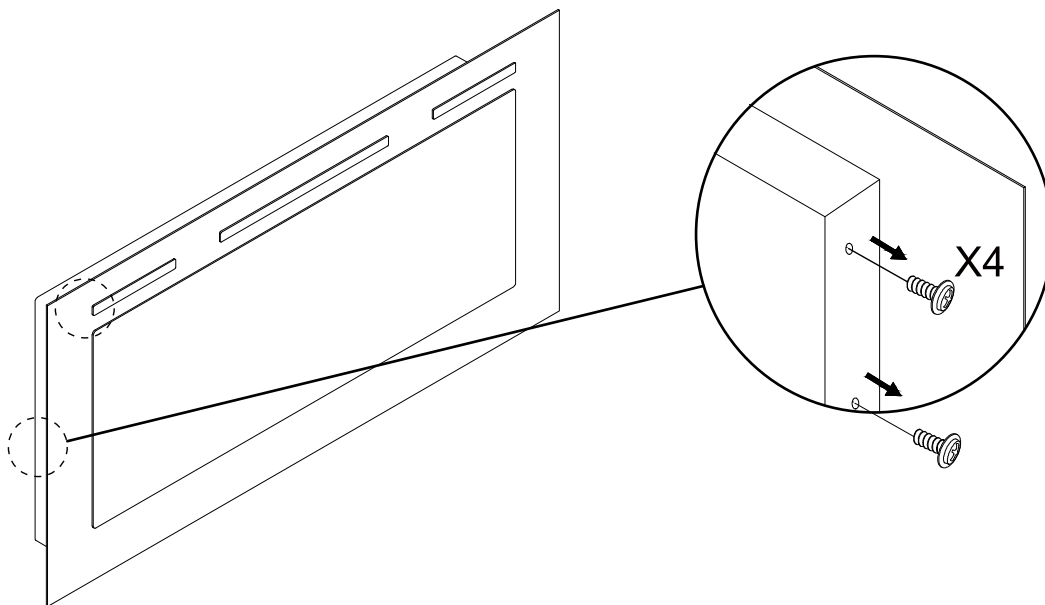
 If the doors are not aligned, there is excessive gap between doors or doors overlap, adjust as instructed below.



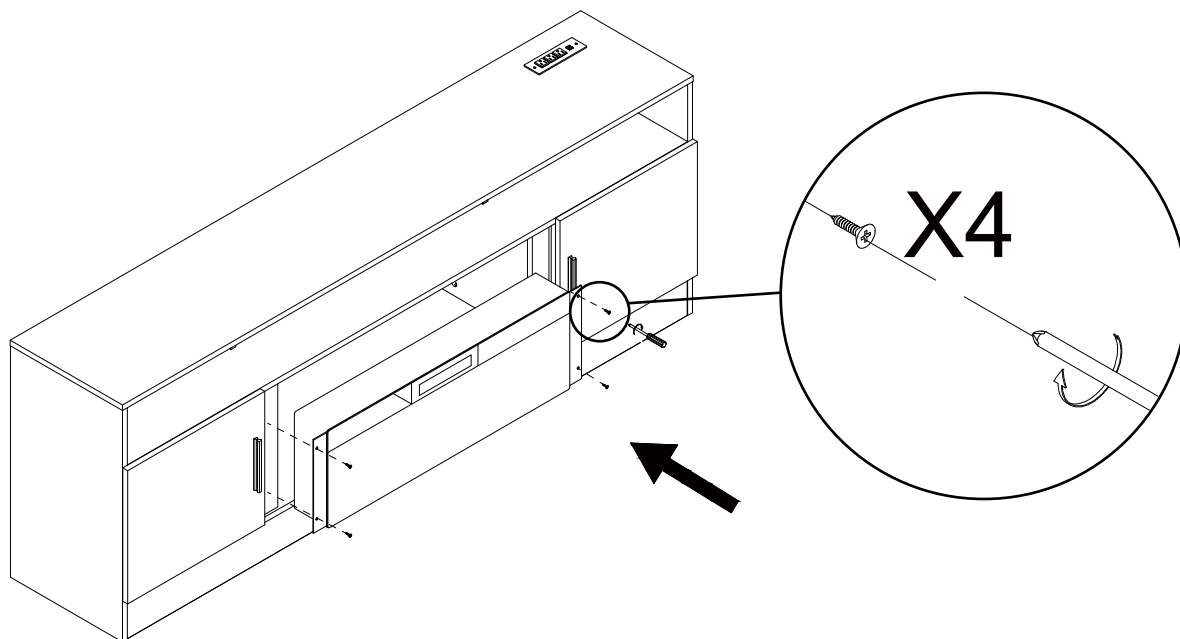
In and out adjustment:
Loosen the inner screw d on the hinge to align the door.

26

Remove four silver screws from the sides of the heaterm, two screws on each side. Remove the tempered glass by lifting it from the lugs on the side.



Take the glass from the appliance first, then gently put the appliance to the TV Stand by two persons.



Fix the appliance to the TV stand with 4 black screws according to the hole position.

27

Place the front glass surround over the front of the fire aligning the slot in the bracket at each side of the glass panel with the lugs on the sides of the fire.

