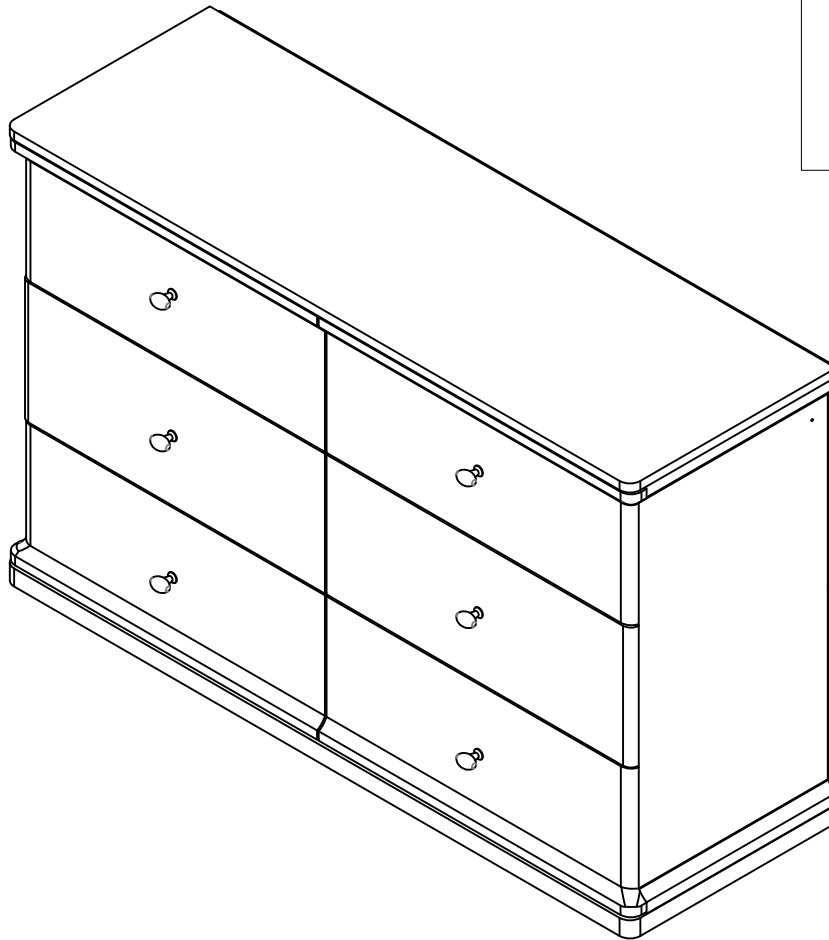


# ASSEMBLY INSTRUCTIONS

## ITEM:LDPB6D



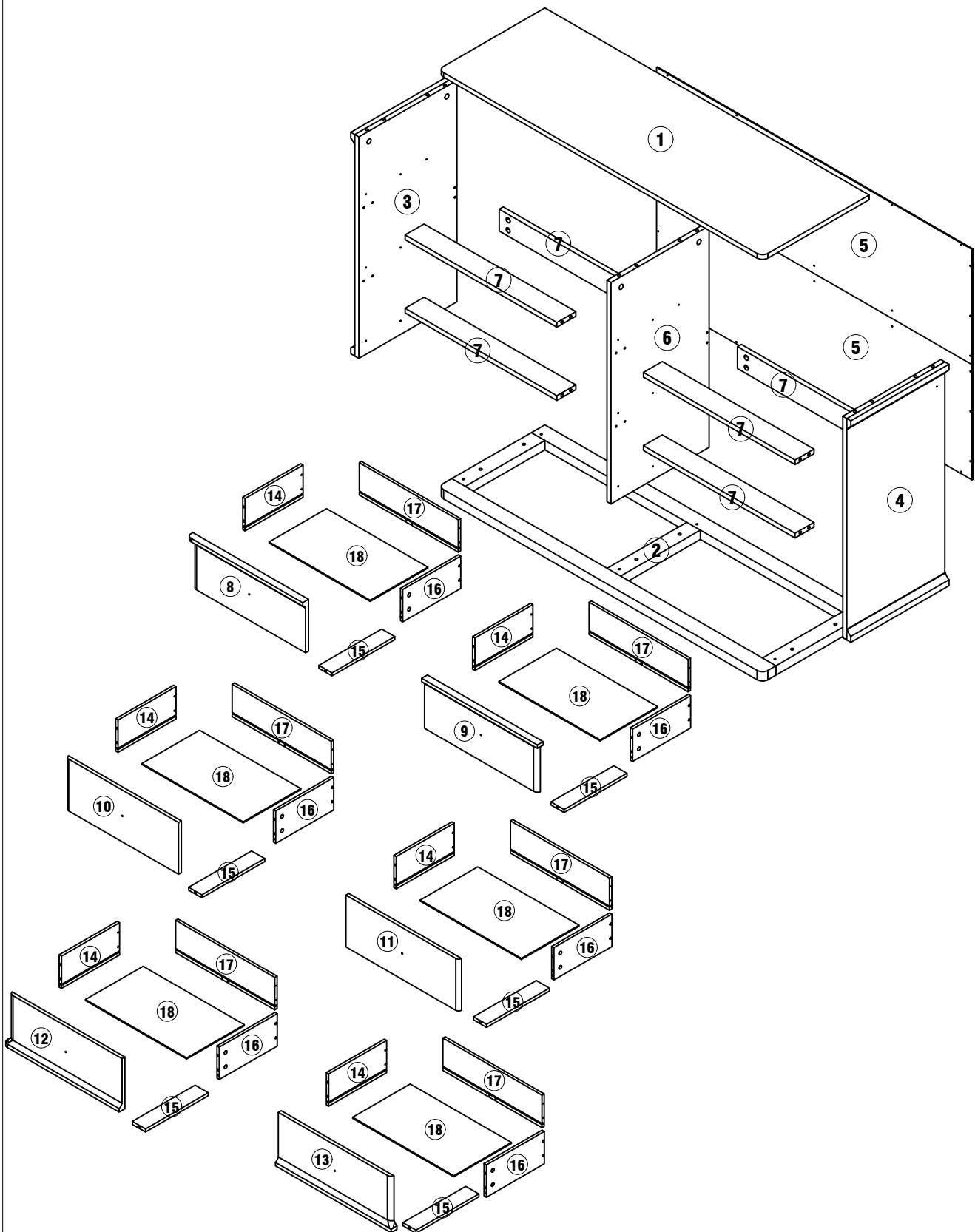
**LDPB6D**

Please scan this QR code and contact us if you have any questions! If your products has damages, missing parts, problems with installation and use, or you are not 100% satisfied with our products, please scan the QR code and contact us!

**Email:[vimity-service@outlook.com](mailto:vimity-service@outlook.com)**

**SUPPORT: + 18882062161**

# PACKAGE INCLUDE




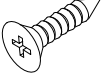
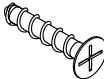
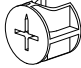
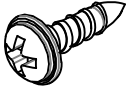

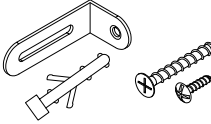
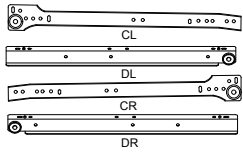
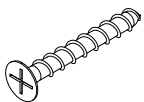

**SUPPORT: + 18882062161**

## PACKAGE INCLUDE

<b>CODE</b>	<b>DESCRIPTION</b>	<b>QTY</b>
<b>1</b>	Top Panel	<b>1</b>
<b>2</b>	Bottom plate	<b>1</b>
<b>3</b>	Left Side Panel	<b>1</b>
<b>4</b>	Right Side Panel	<b>1</b>
<b>5</b>	背板	<b>2</b>
<b>6</b>	中竖板	<b>1</b>
<b>7</b>	拉条	<b>6</b>
<b>8</b>	中左抽面板	<b>1</b>
<b>9</b>	上右抽面板	<b>1</b>
<b>10</b>	中左抽面板	<b>1</b>
<b>11</b>	中右抽面板	<b>1</b>
<b>12</b>	下左抽面板	<b>1</b>
<b>13</b>	下右抽面板	<b>1</b>
<b>14</b>	左抽侧板	<b>6</b>
<b>15</b>	Drawer Bottom Strip	<b>6</b>
<b>16</b>	右抽侧板	<b>6</b>
<b>17</b>	抽后板	<b>6</b>
<b>18</b>	抽底板	<b>6</b>

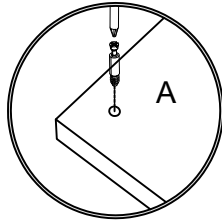
**SUPPORT: + 18882062161**

# PACKAGE CONTENT

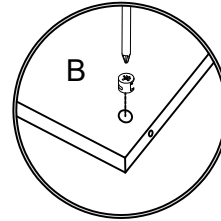
<p><b>Ø8X30MM</b></p>  <p><b>A</b>      <b>12X+1</b></p>	<p><b>Ø3X11MM</b></p>  <p><b>B</b>      <b>72X+2</b></p>	<p><b>Ø4X35MM</b></p>  <p><b>C</b>      <b>36X+1</b></p>	<p><b>Ø15X10MM</b></p>  <p><b>D</b>      <b>60X+2</b></p>
<p><b>Ø3.5X12MM</b></p>  <p><b>F</b>      <b>28X+1</b></p>	 <p><b>G</b>      <b>60X+2</b></p>	 <p><b>H</b>      <b>2X</b></p>	 <p><b>K</b>      <b>6X</b></p>
<p><b>Ø4X50MM</b></p>  <p><b>L</b>      <b>6X</b></p>	 <p><b>M</b>      <b>6X</b></p>		

**SUPPORT: + 18882062161**

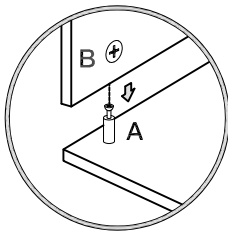
# How to use the cam lock system



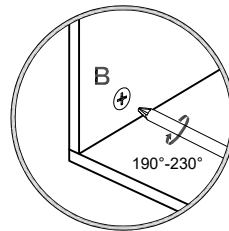
1. Screw cam bolt into panel



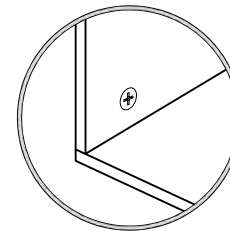
2. Push cam into panel - arrow feature on cam top points to panel edge



3. Align cam bolt(s) with cam(s) and insert all the way into cross-bored hole(s)

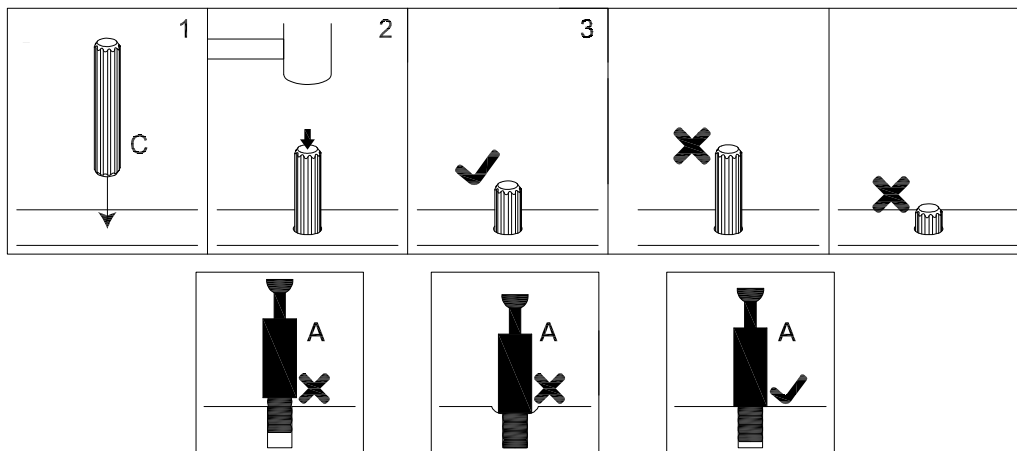


4. Rotate cam(s) clockwise 190°-230° to lock panels together



5. Panels should be tight against each other and connection should be rigid

Insert the wood dowel [C] at least half way by tapping lightly with a rubber mallet, IF NECESSARY.

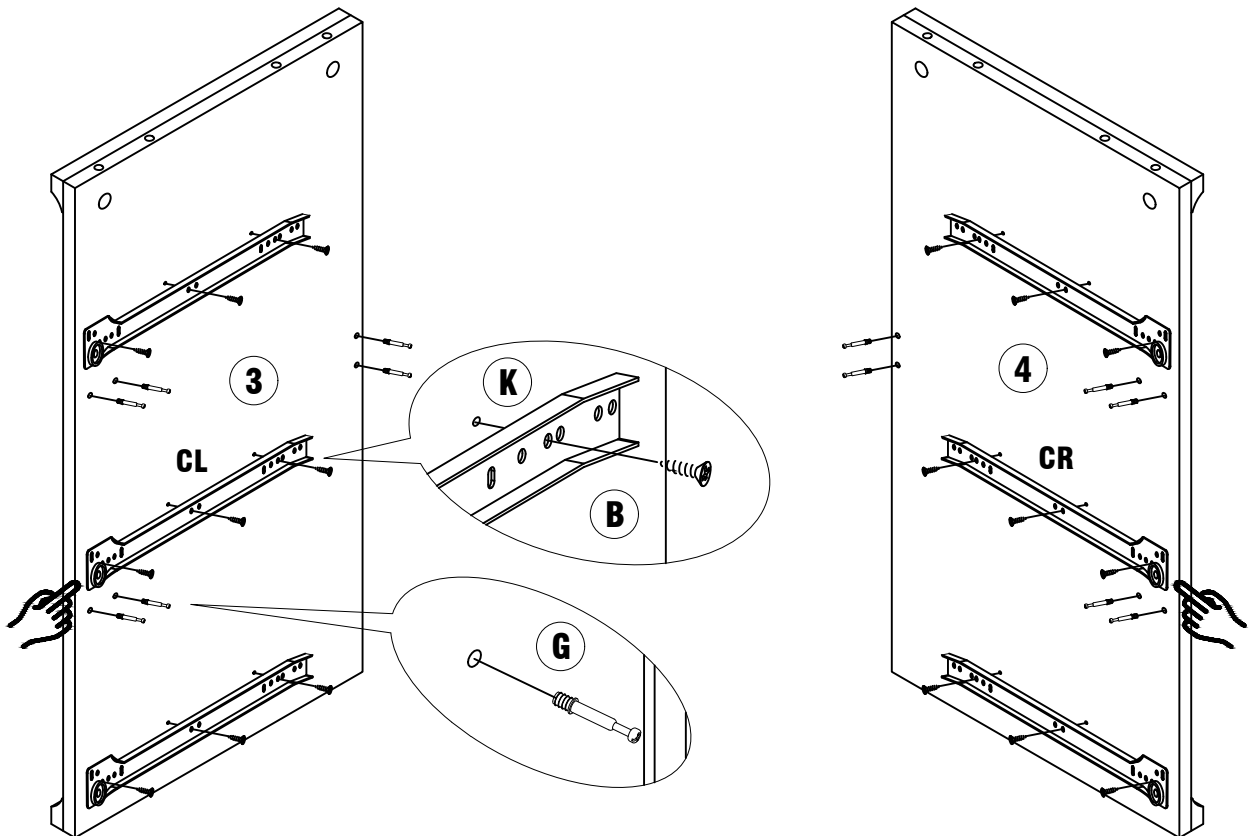
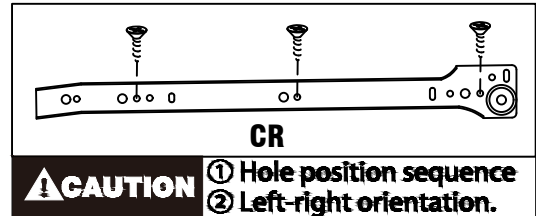
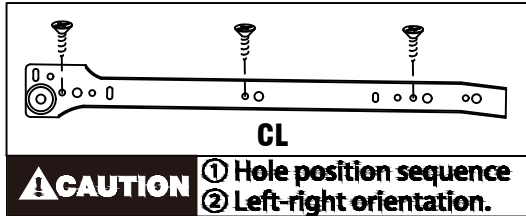
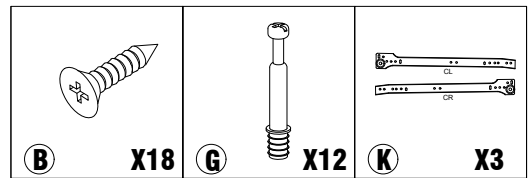


## ⚠ WARNING

- Unit must be placed on a level surface or leveled with included hardware (when applicable).
- Do not sit or stand on or allow children to climb, sit or stand on the assembled product.
- For safety reasons, it is imperative that this unit be mounted to the wall.
- Do not use without installing the tip restraint.
- Unit can tip over causing severe injury or death.
- Do not exceed the recommended weight limits.
- Evenly distribute the weight on each level and always keep the heavier loads on the bottom.
- Before cutting, drilling or hammering into any wall or floor surface, verify the location of electrical, plumbing and gas lines. Cutting may cause serious injury.

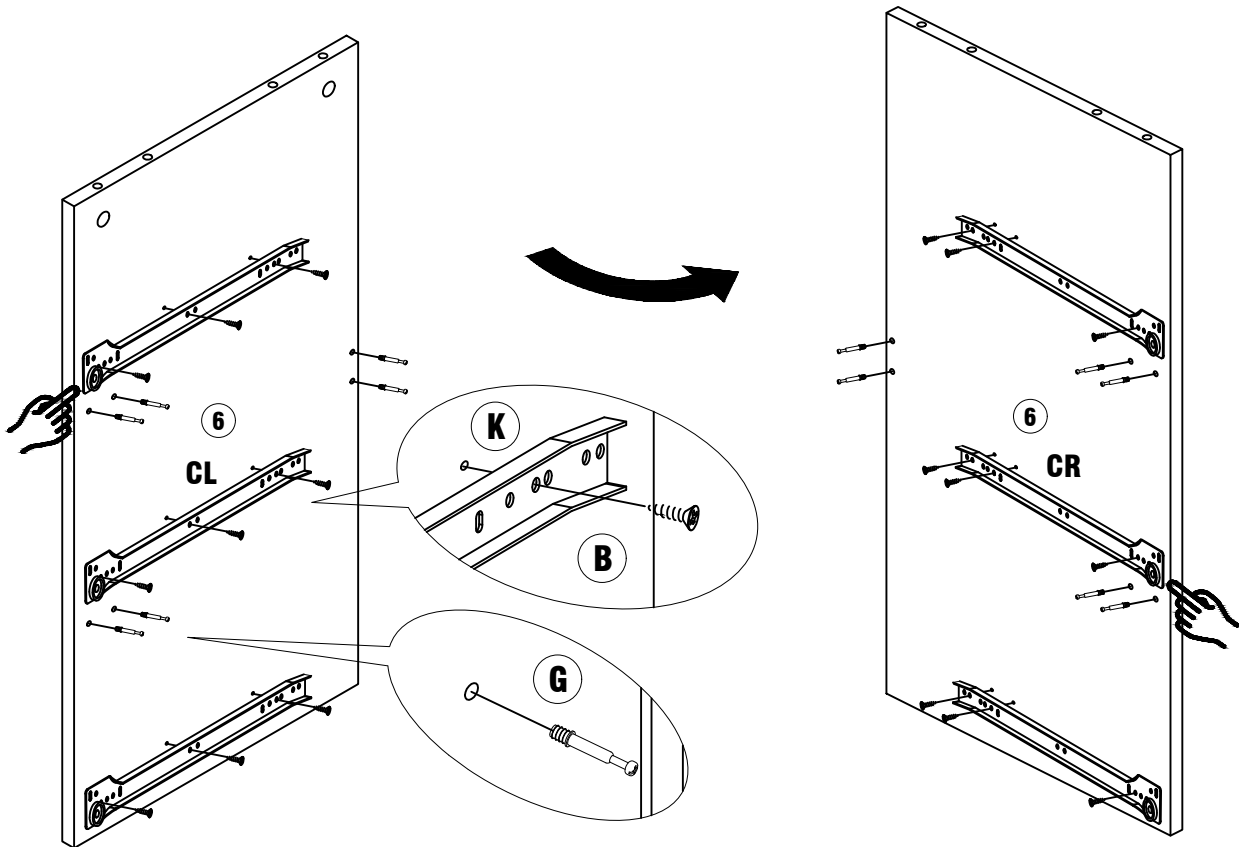
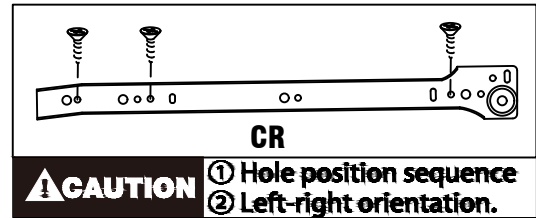
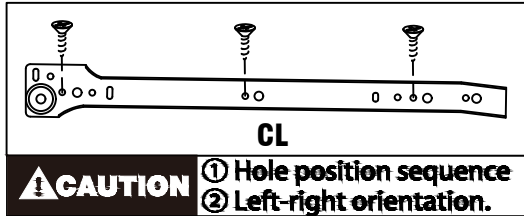
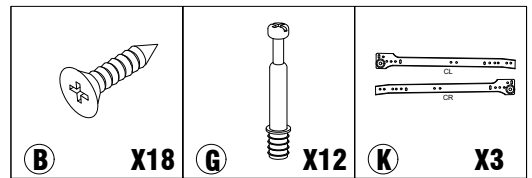
**SUPPORT: +18882062161**

# STEP 1



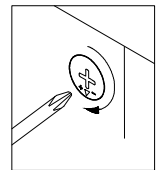
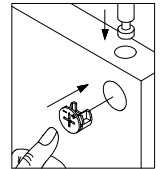
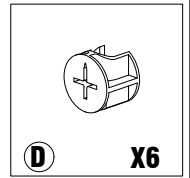
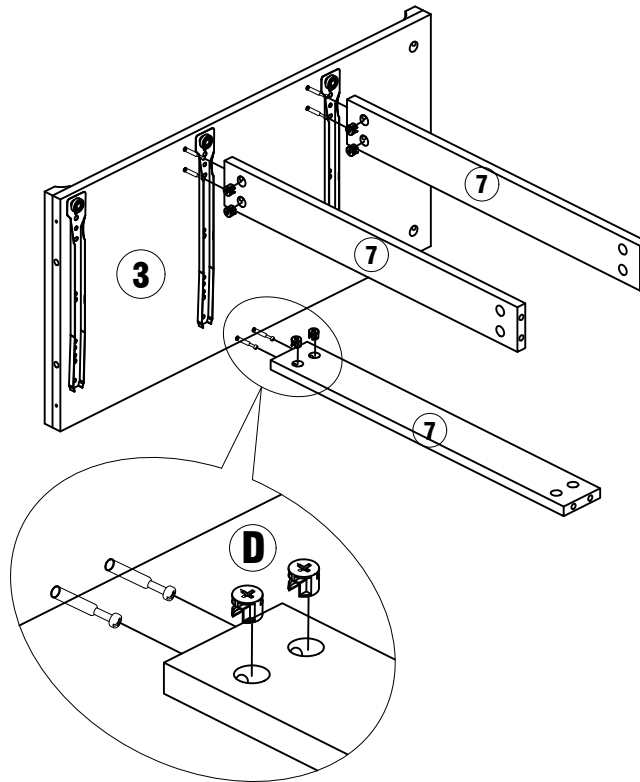
SUPPORT: + 18882062161

# STEP 2

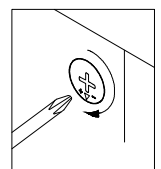
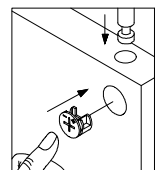
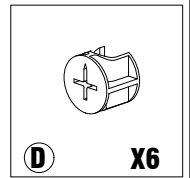
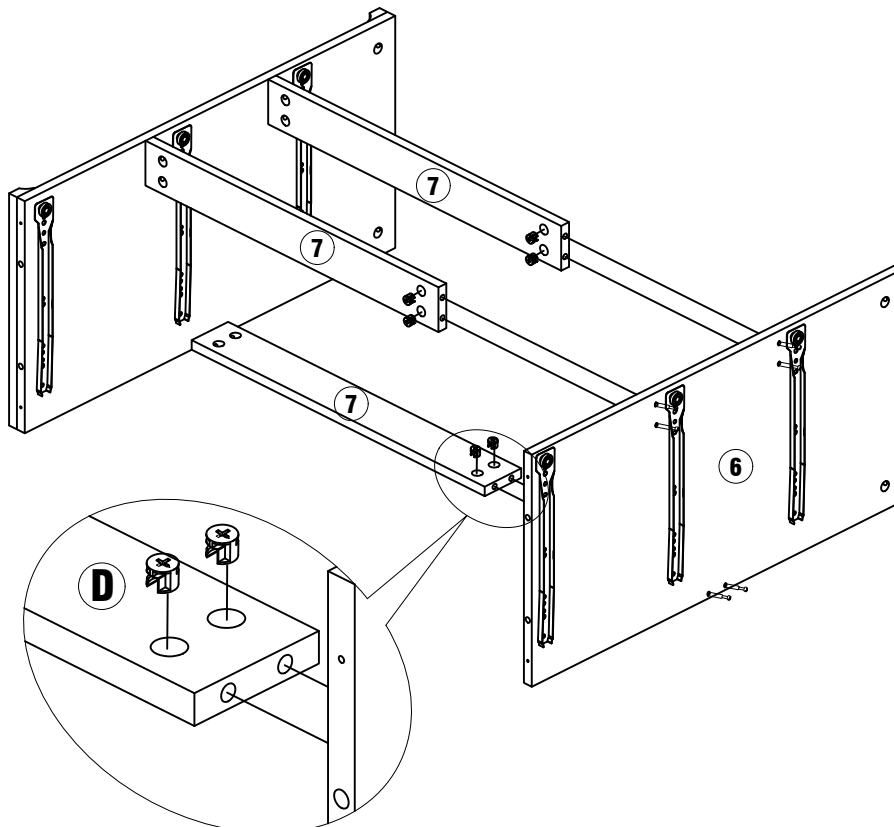


SUPPORT: + 18882062161

# STEP 3

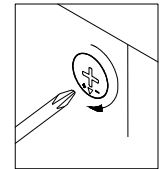
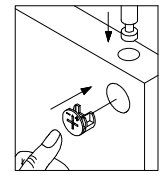
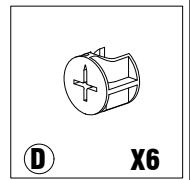
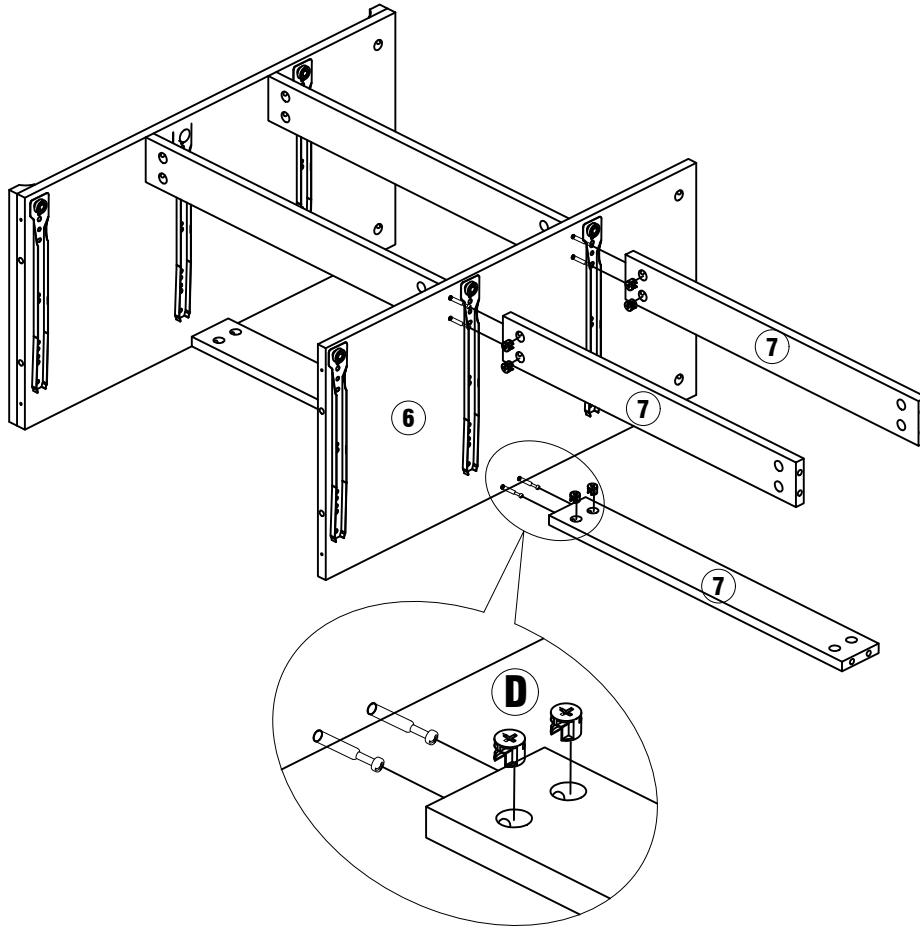


# STEP 4

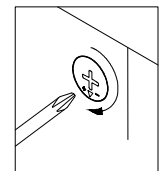
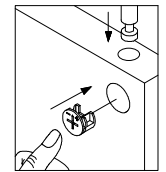
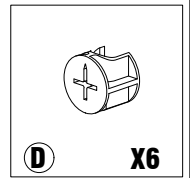
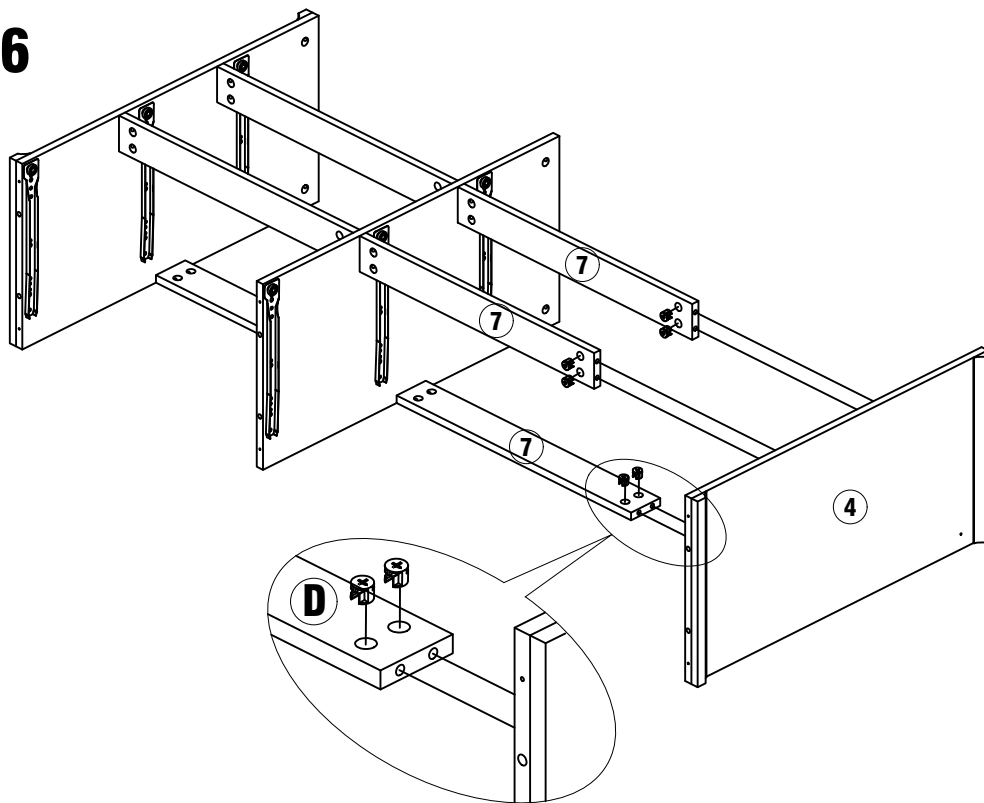


**SUPPORT: + 18882062161**

# STEP 5

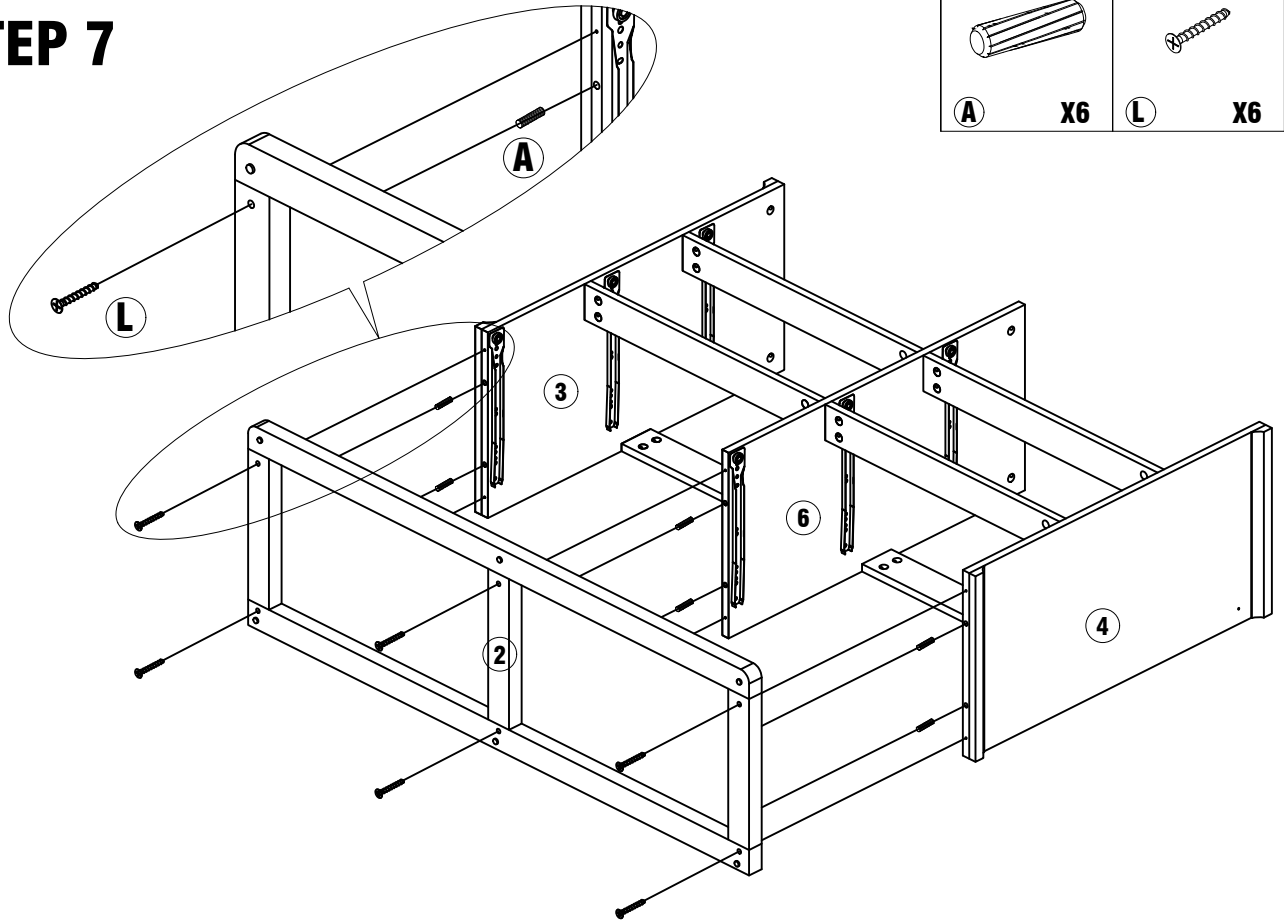


# STEP 6

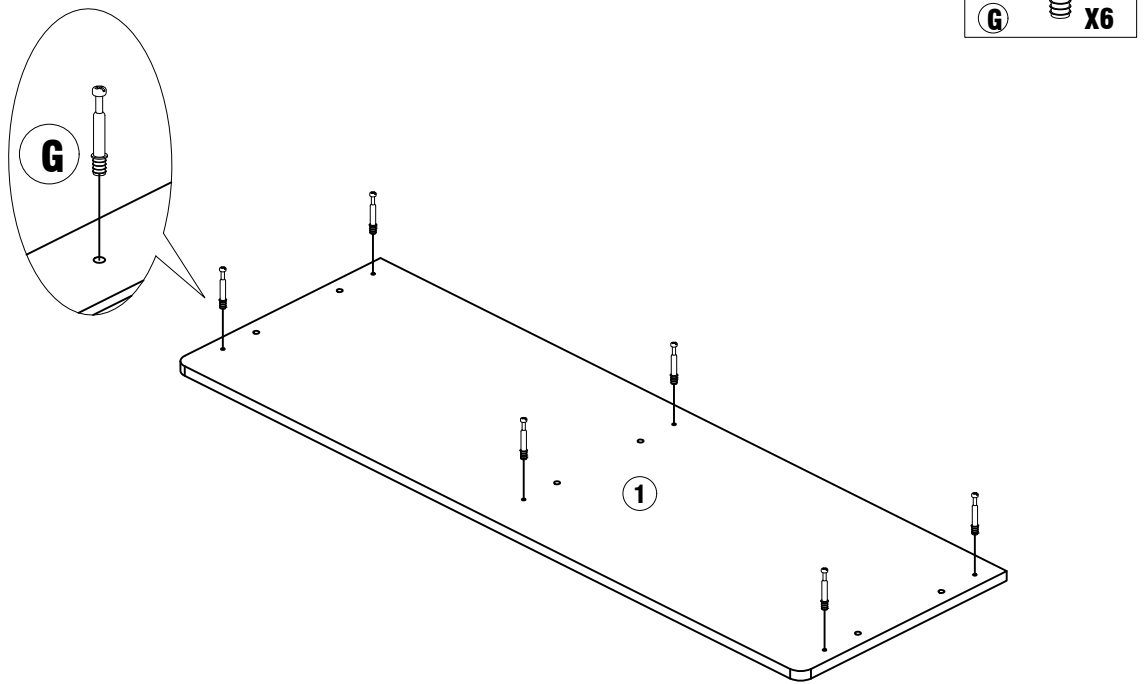


**SUPPORT: + 18882062161**

# STEP 7

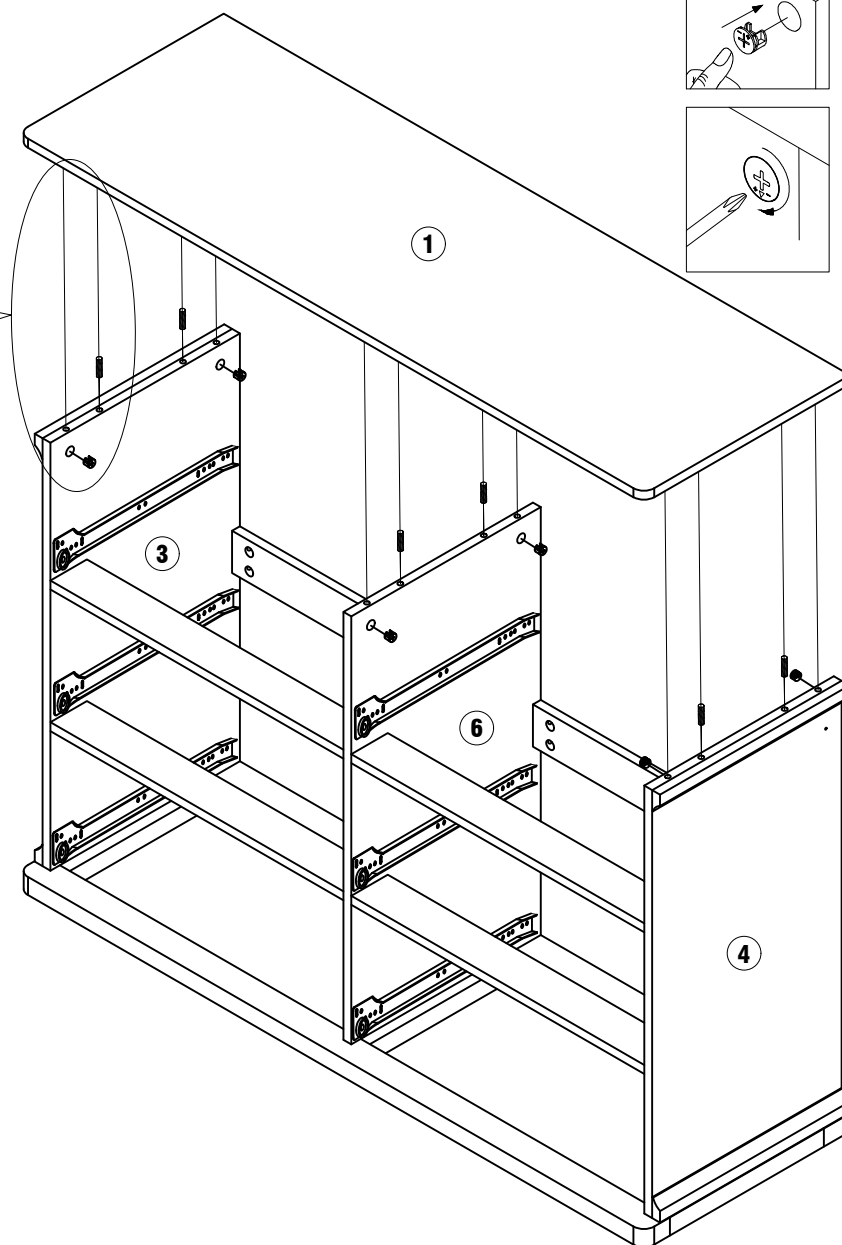
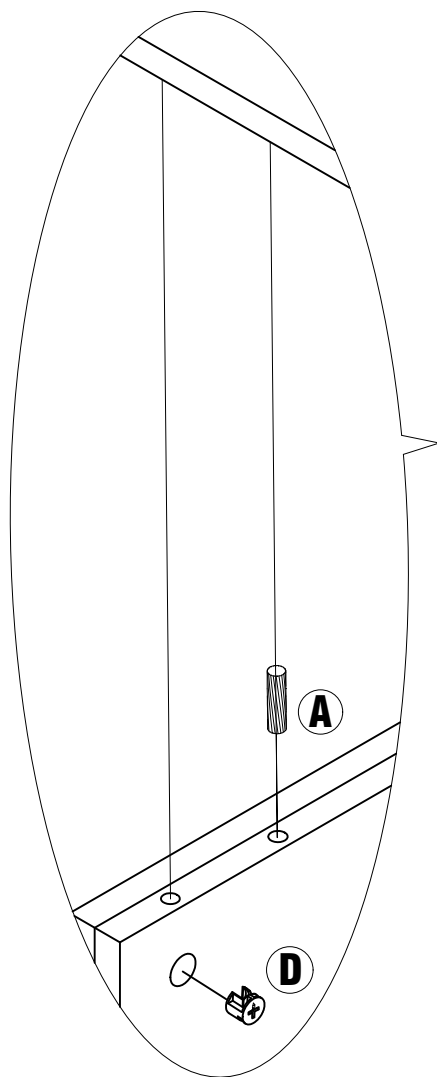
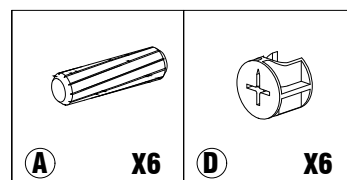


# STEP 8



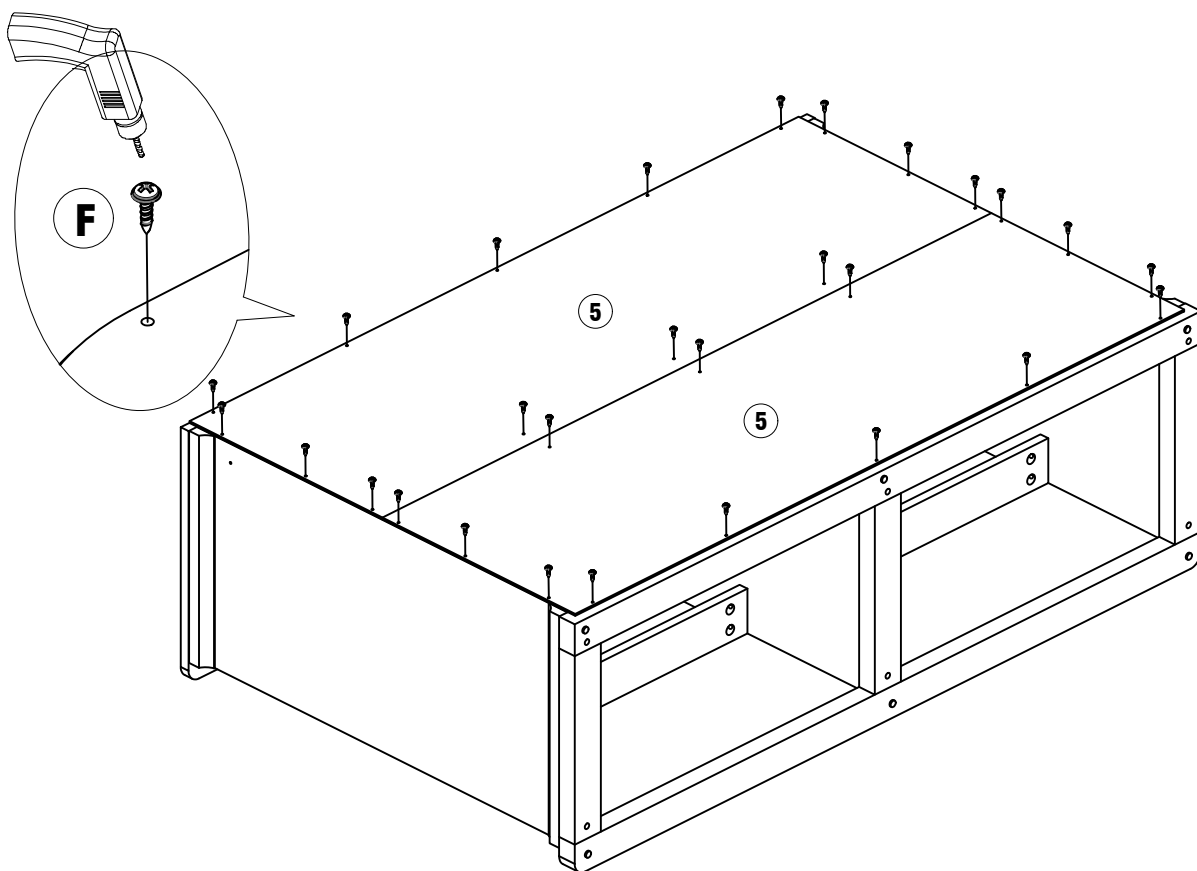
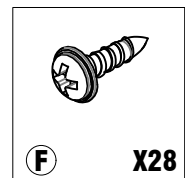
**SUPPORT: + 18882062161**

# STEP 9



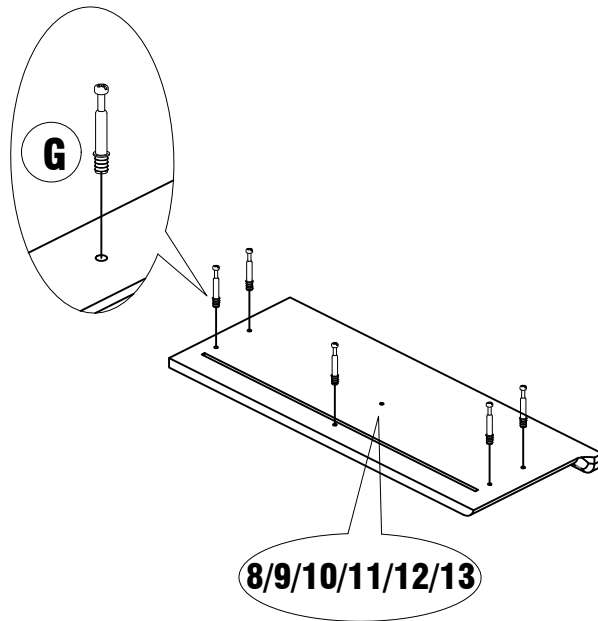
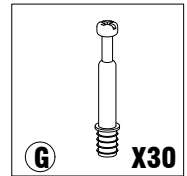
**SUPPORT: + 18882062161**

# STEP 10



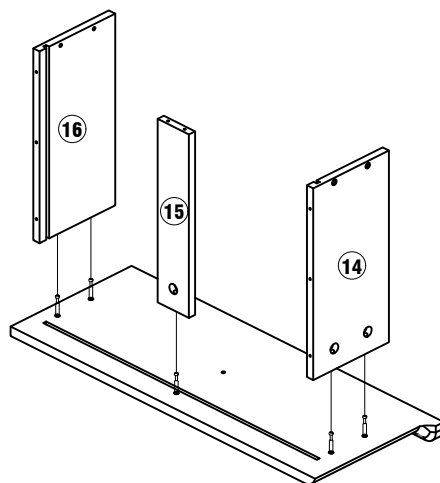
**SUPPORT: + 18882062161**

# STEP 11



**X6**

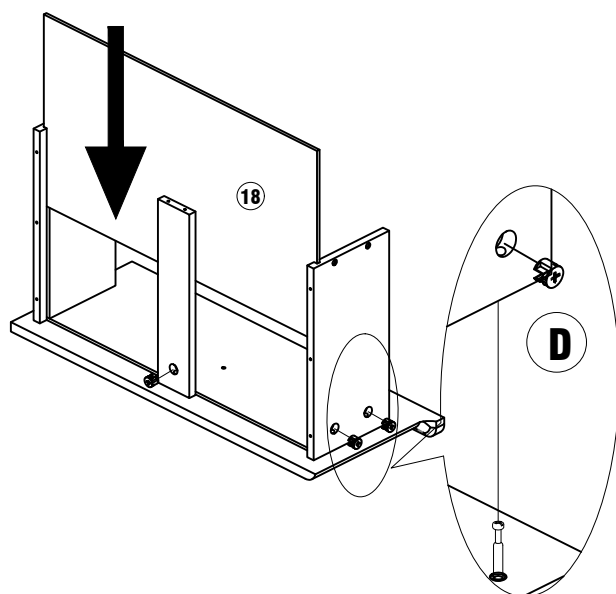
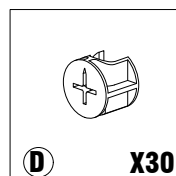
# STEP 12



**X6**

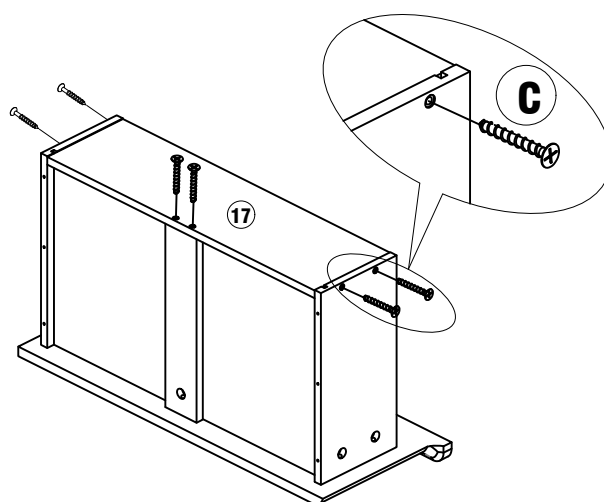
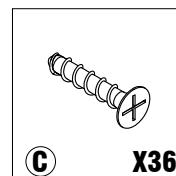
**SUPPORT: + 18882062161**  
**-12-**

## STEP 13



**X6**

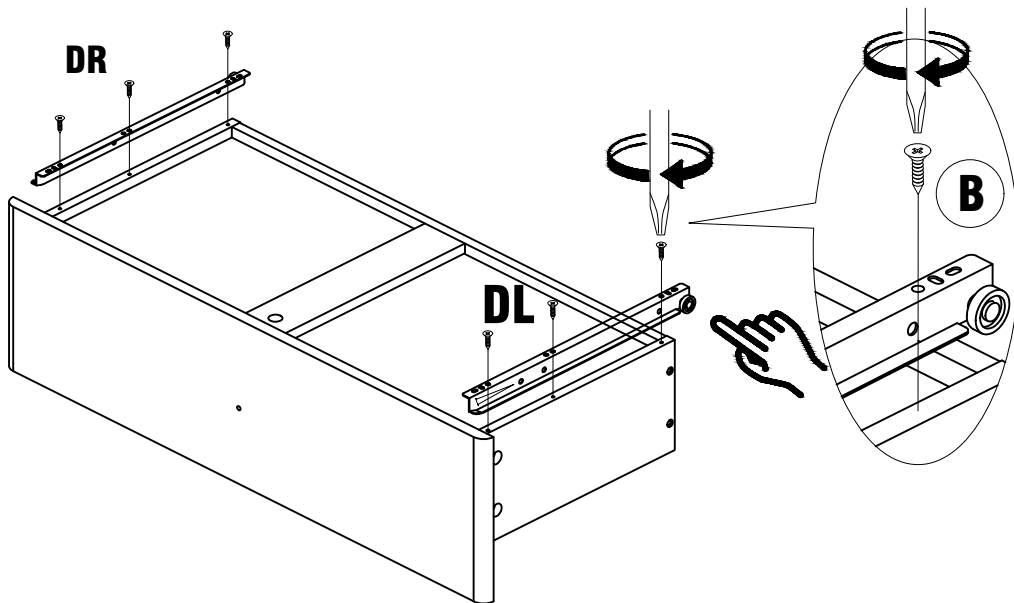
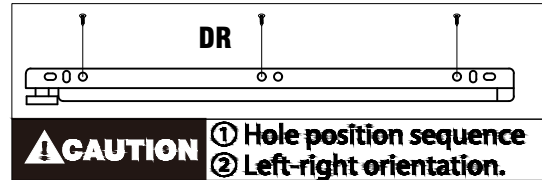
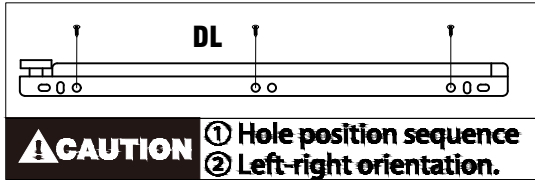
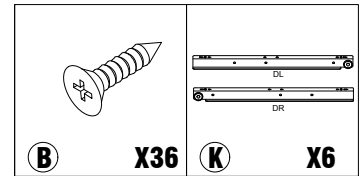
## STEP 14



**X6**

**SUPPORT: + 18882062161**

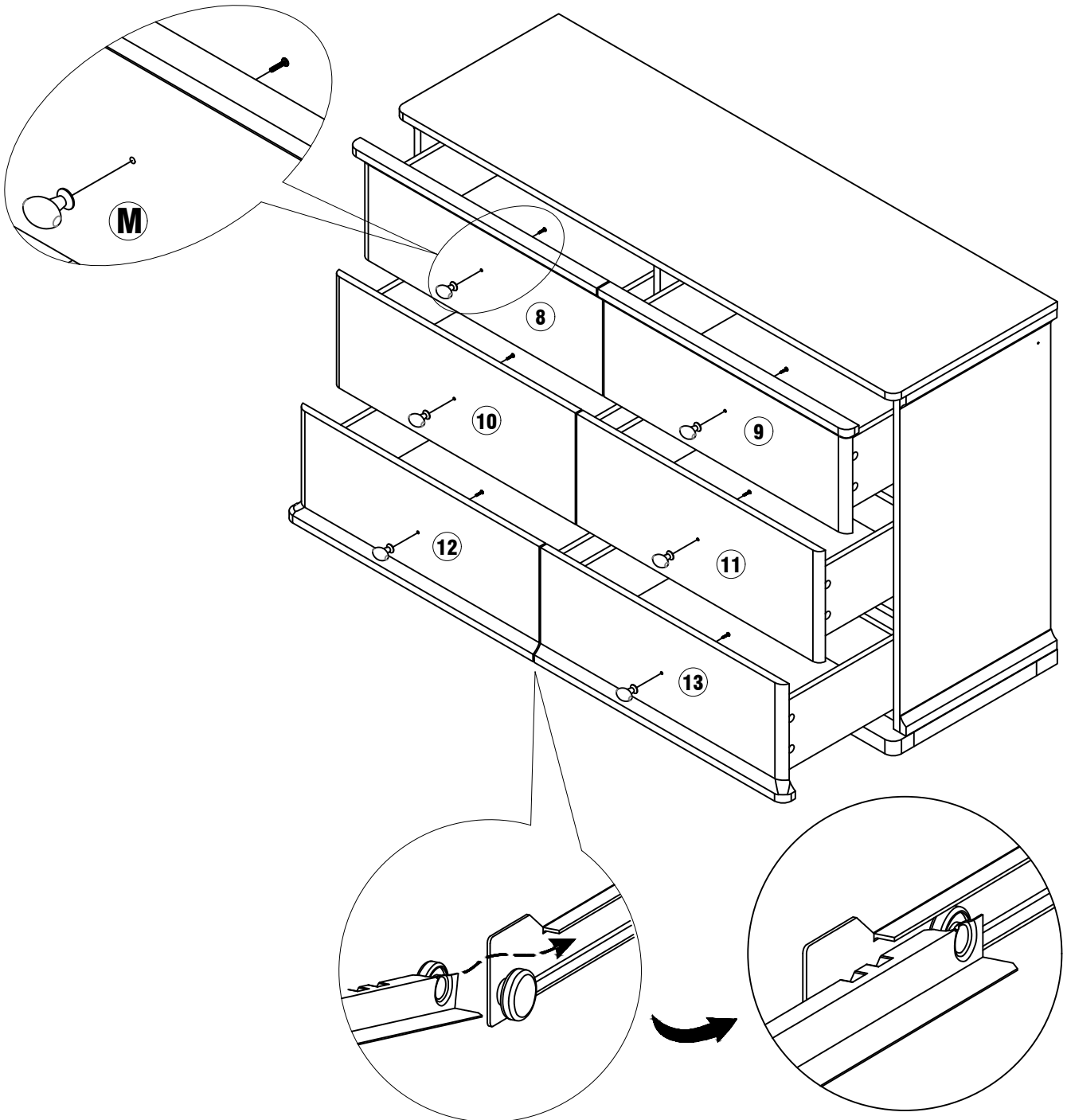
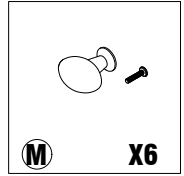
# STEP 15



# X6

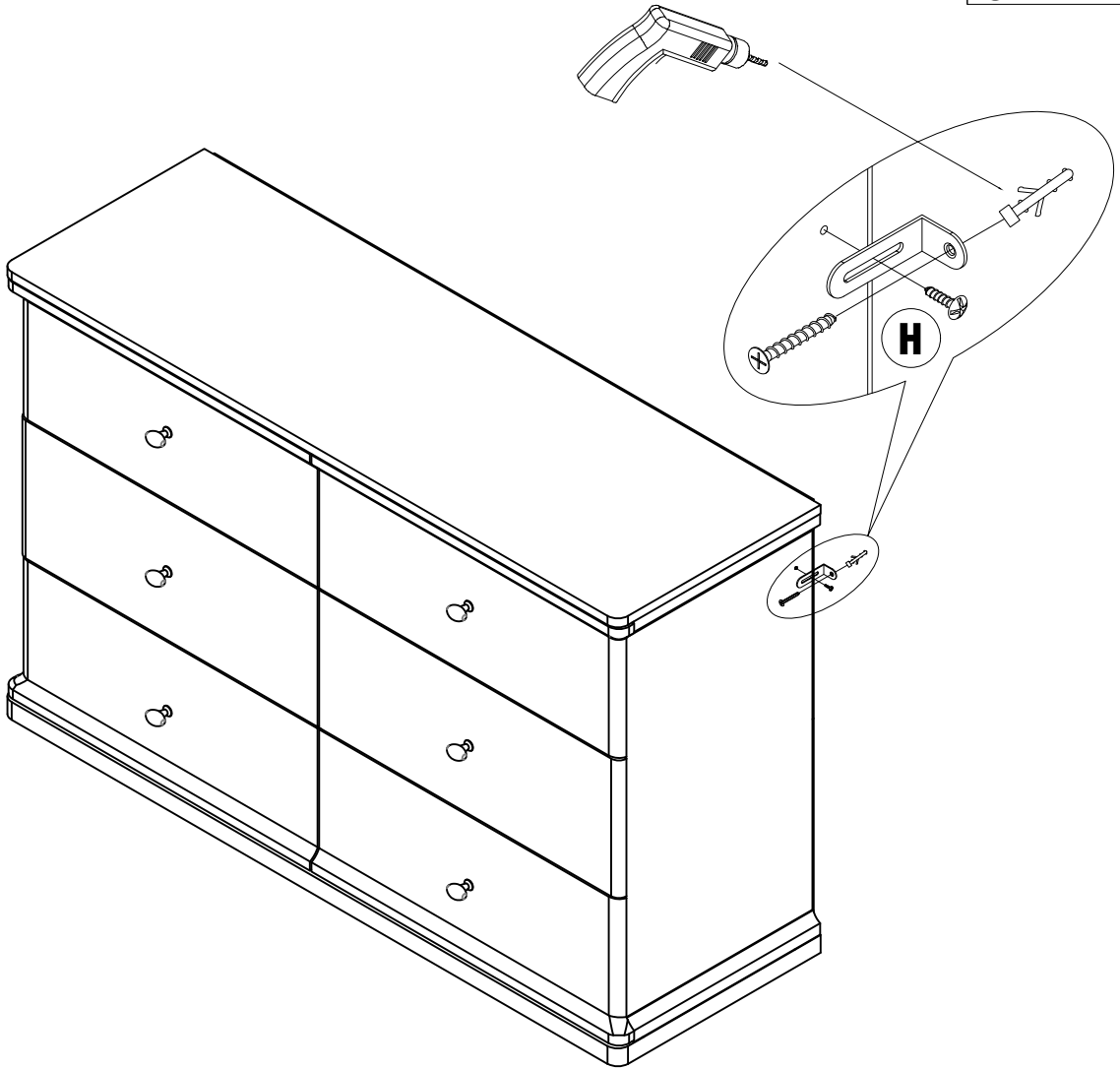
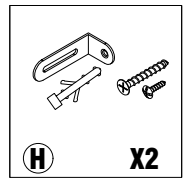
SUPPORT: + 18882062161

# STEP 16



**SUPPORT: + 18882062161**  
**-15-**

# STEP 17



## **▲ WARNING**



**Children have died from furniture tipover. To reduce the risk of furniture tipover:**

- ALWAYS install anti-tip device provided.
- NEVER put a TV on this product.
- NEVER allow children to stand, climb or hang on any drawers, doors, or shelves.
- NEVER open more than one drawer at a time.
- Place heaviest items in the lowest drawers.



*this is a permanent label.  
Do not remove!*

**SUPPORT: + 18882062161**