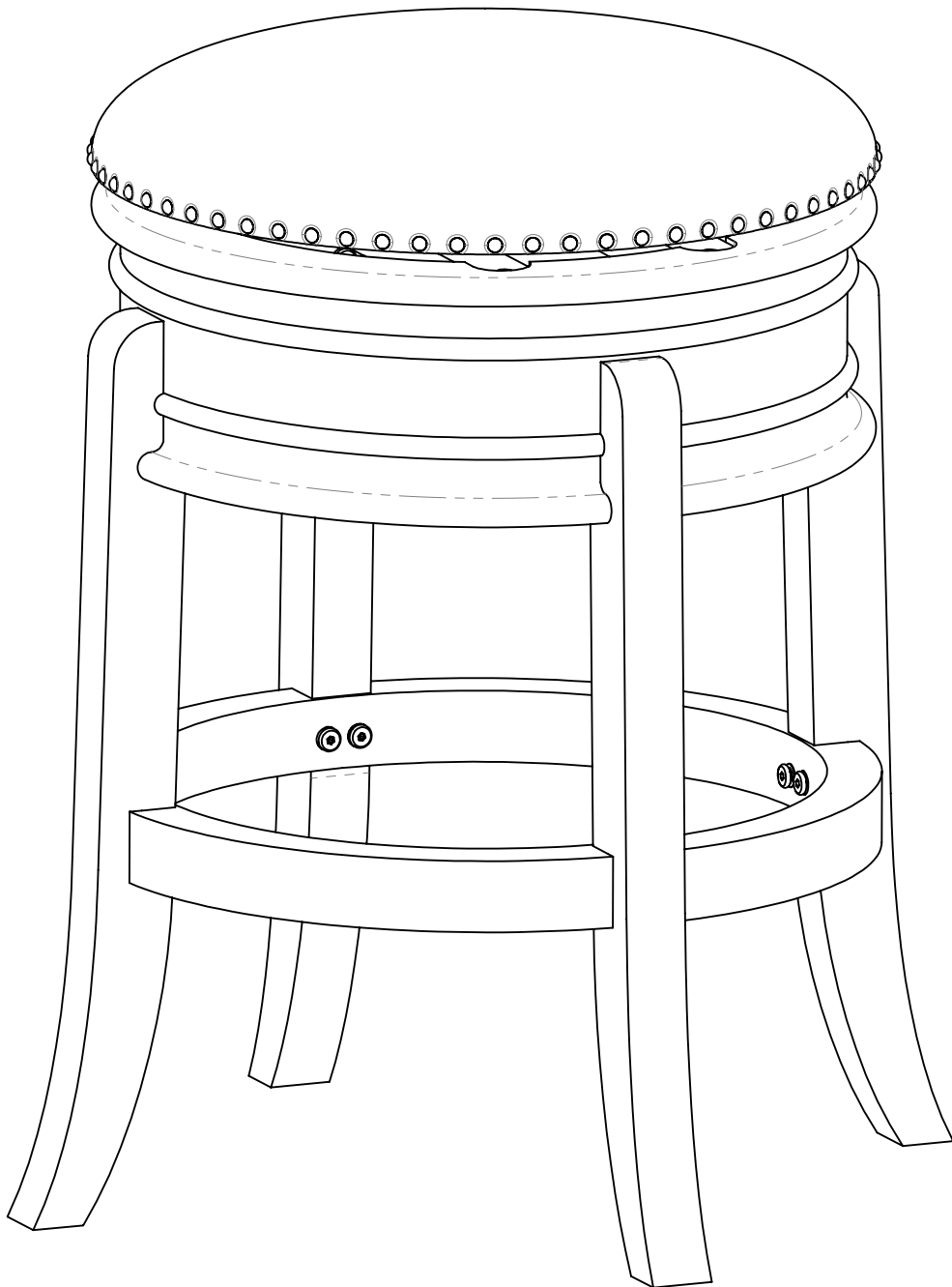
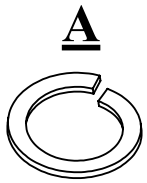


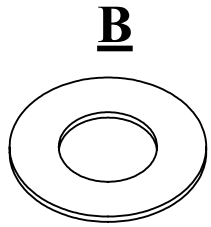
# ASSEMBLY INSTRUCTIONS

## HAMILTON SWIVEL STOOL

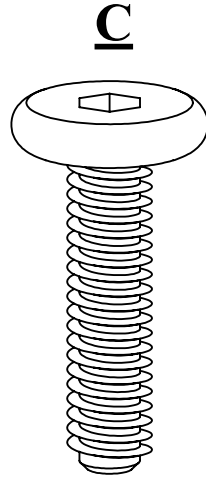




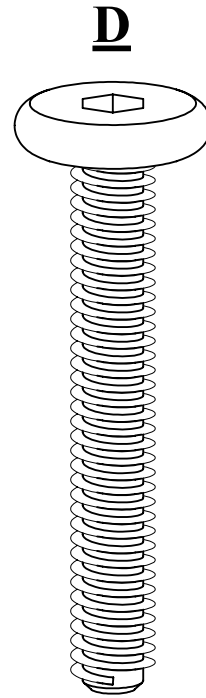
16 PCS



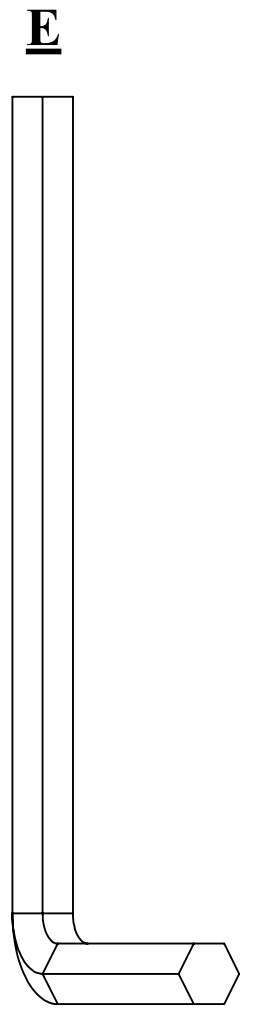
20 PCS



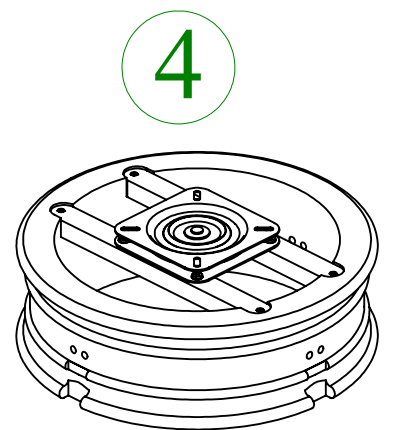
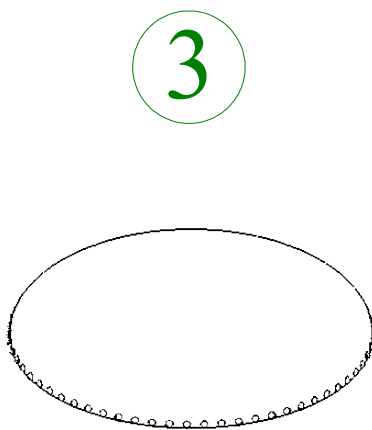
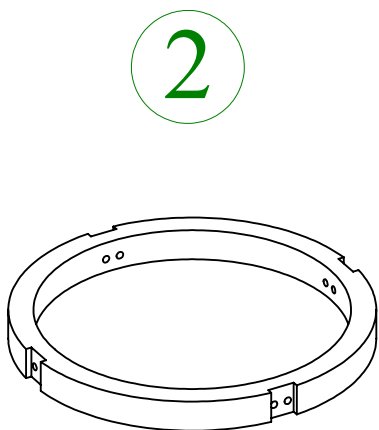
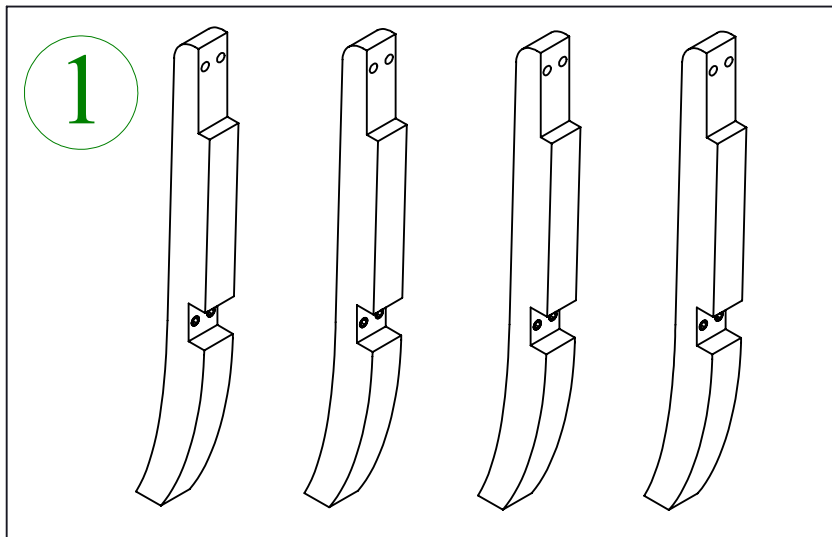
4 PCS



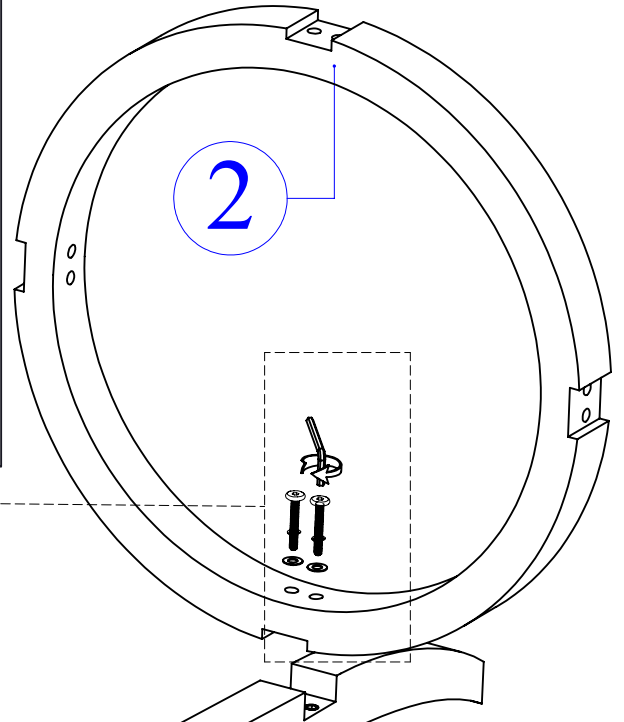
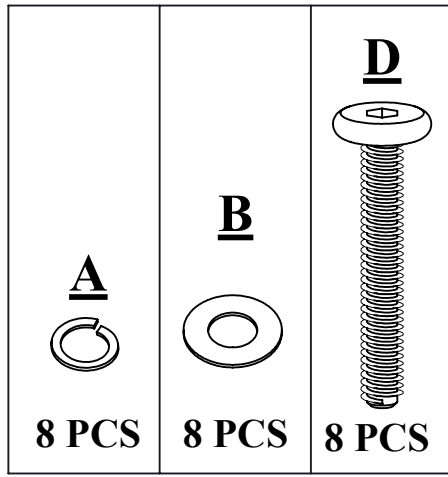
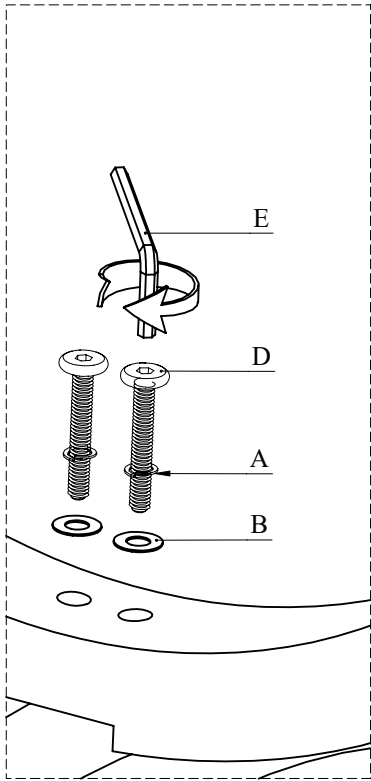
16 PCS



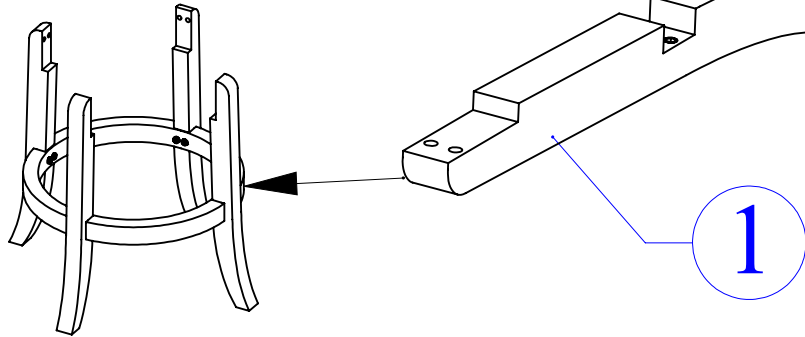
1 PC



# 01

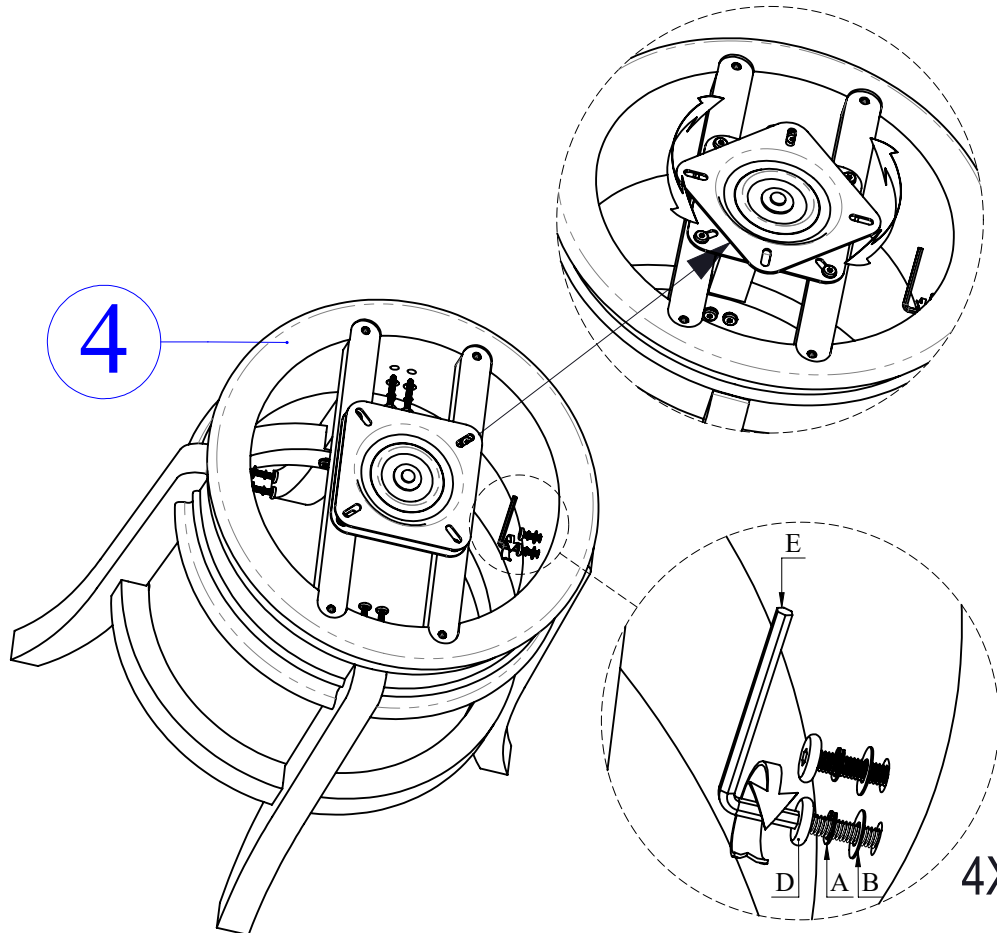
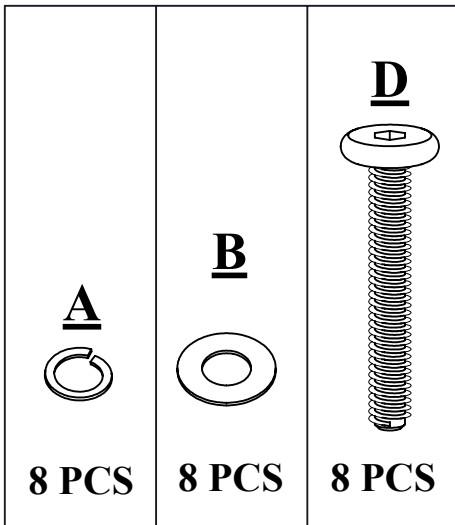


4X



DO NOT TIGHTEN BOLT COMPLETELY.

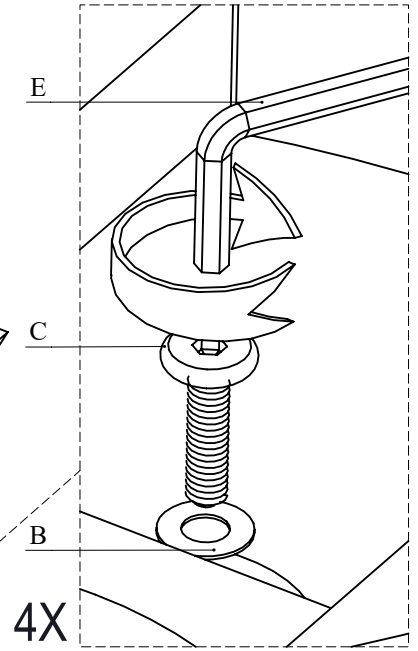
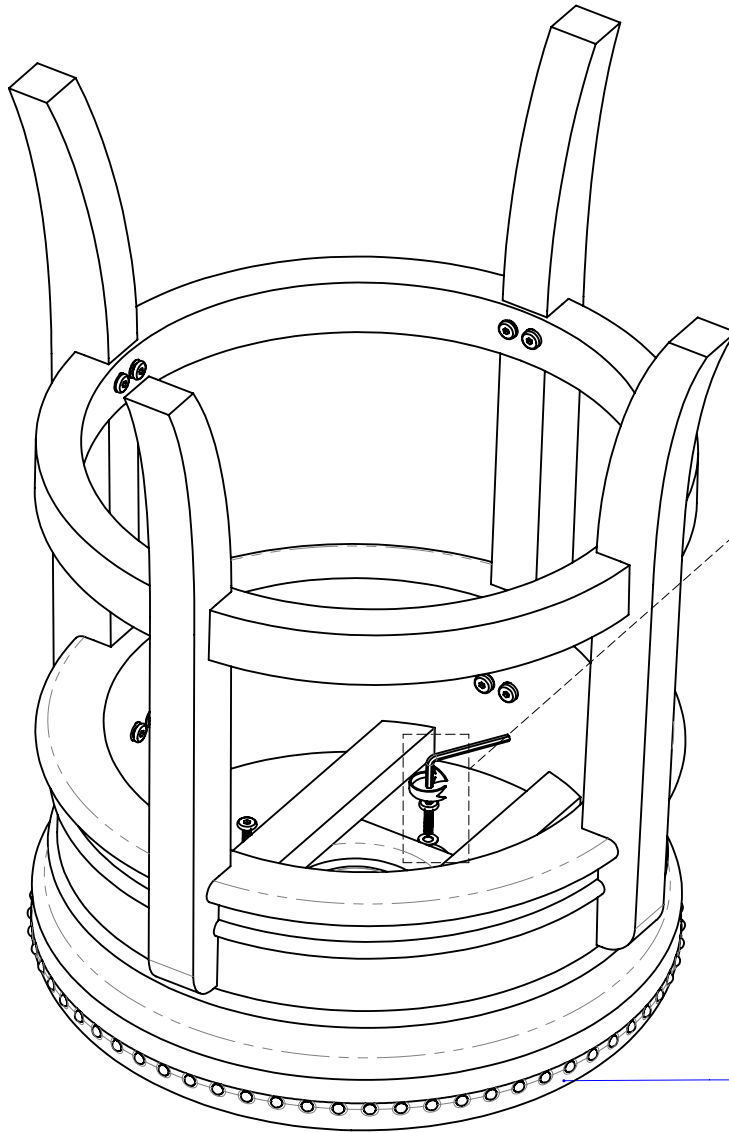
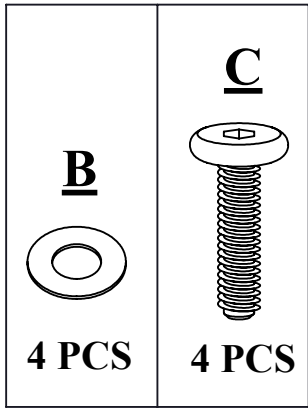
# 02



TIGHTEN BOLT COMPLETELY.

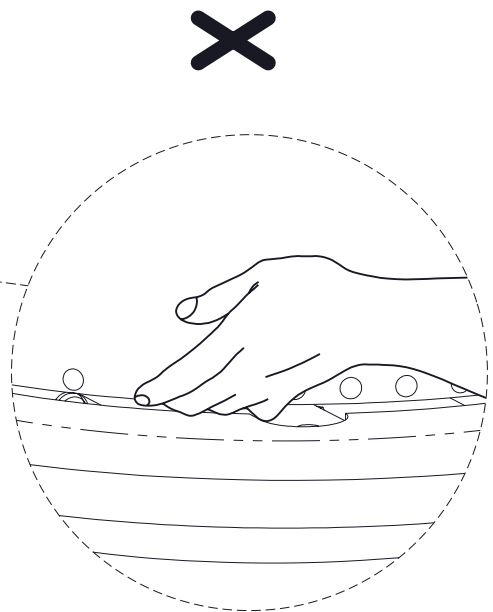
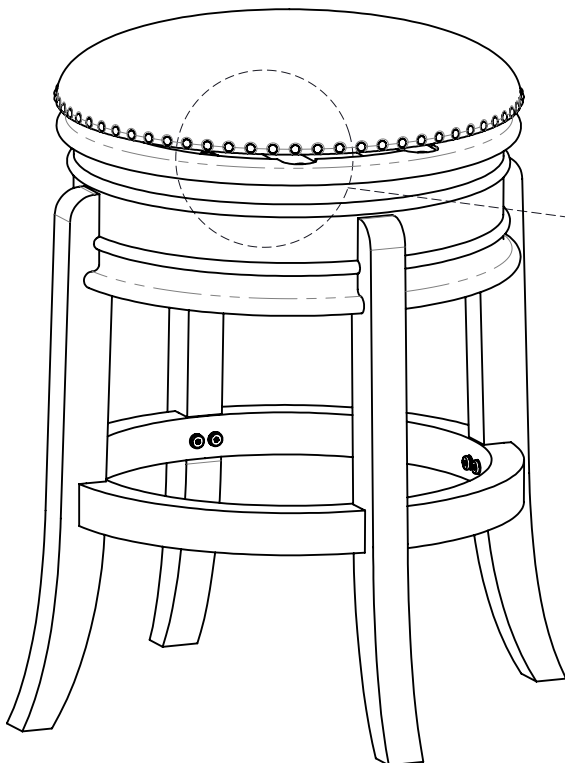
4X

# 03



3

TIGHTEN BOLT COMPLETELY.



BE SURE TO CHECK ALL BOLTS ARE SECURELY TIGHTENED PRIOR USING THIS STOOL.