

12-Light Sputnik Glass Chandelier

Caution: Please turn off power before installation and read the manual carefully, we advise you contact professional electricians to install for safety purpose.

Product Features

Style: Modern

Material: Metal, Glass

Base Type: E27

Light Source Included:NO

Voltage: 230VAC ($\pm 10\%$ tolerance)

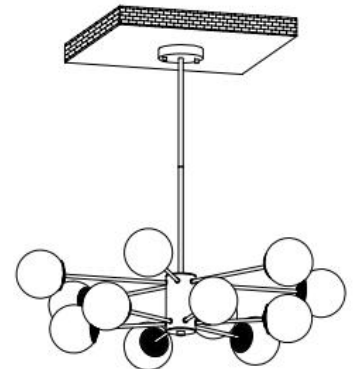
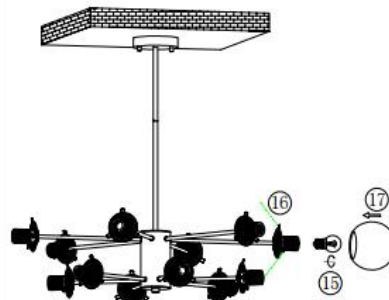
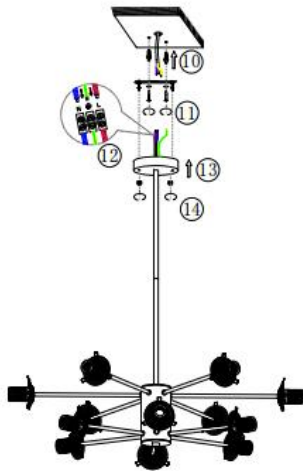
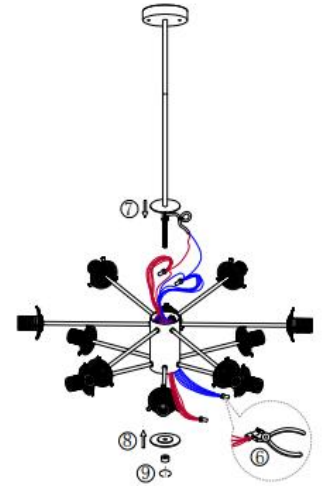
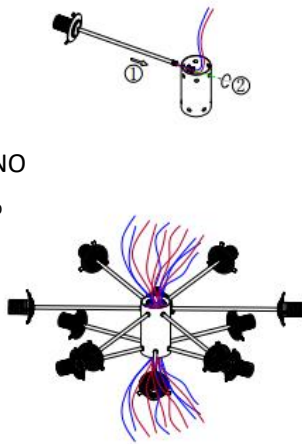
Wattage: 40W

Package includes

1 x Chandelier Light

1 x Accessories Kit

1 x User's Manual



Installation Instructions

1. Insert six long lamp arms into the side hole of the top of lamp housing, then tighten it with nuts/washers
2. Insert six short lamp arms into the side hole of the bottom of lamp housing, then tighten it with nuts/washers
- 3-4. Pass the lamp wire through the rod, then screw that rod on the upper cover(the rods are adjustable, choose the appropriate quantity of rods for installation)
5. Use nuts/washers to tighten the ground wire and canopy to the rod
6. Connect the six brown lamp socket wires at the bottom to the brown lead wires;
Connect the six blue lamp socket wires at the bottom to the blue lead wires;
Pull the bottom brown lead wires to the top and connect the top six brown lamp socket wires to the brown main wire;
Pull the bottom blue lead wires to the top and connect the top six blue lamp socket wires to the blue main wire
- 7-8. Put the upper cover and the bottom cover on the lamp housing
9. Tighten the ball nut to secure the upper and bottom covers to the lamp housing

10. Drill two holes in the ceiling, then put the plastic wall plugs into the holes
11. Fix the back plate to the ceiling using self-tapping screws
12. Connect the fixture wires to the wires from the ceiling. Ensure that the neutral (blue), live (brown), and ground/earth wires are matched correctly
- 13-14. Cover the back plate with the canopy and fasten the canopy using cap nuts
15. Install the light bulb (not included)
- 16-17. Press the the triple-leg spring clip downward and insert the lampshade

Note: please use this product accordingly to its intended purpose, do not retrofit or remodeling the product. The warranty does not cover if the failure is caused by the third party product, or natural disasters.

Made in China