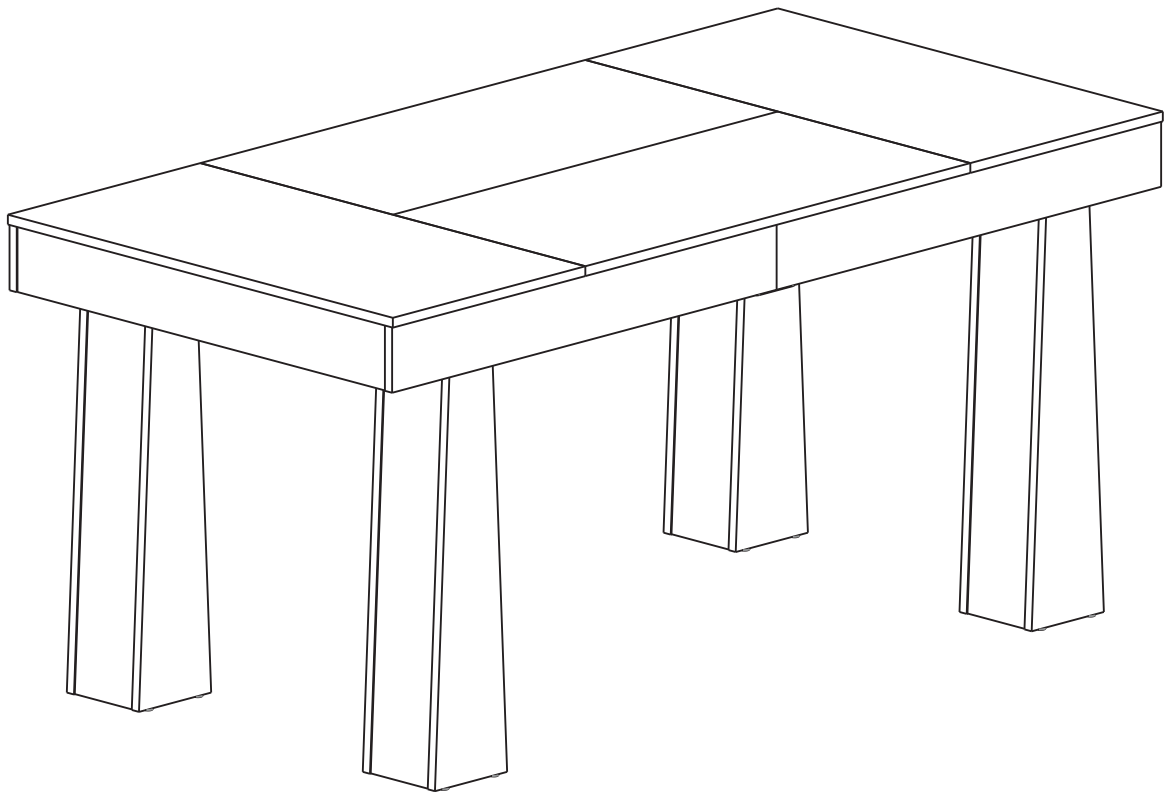


Tribesigns

DESIGNED FOR LIFE

Assembly Instructions



Table

Model No.
HOGA-RY0233



LITTLE TREE
Little Tree by Tribesigns

www.tribesign.com



Contact Us

We're here to help you.




Your satisfaction is our top priority. If you encounter any issues with this product, such as missing or damaged parts, we're here to help. Please retain the original packaging and take photos of the packaging and the product, then contact us as soon as possible.

Warm Tips

1. Carefully read these instructions and keep them for future reference.
2. Check the parts list and confirm everything's there before starting assembly.
3. When assembling, put all parts on a soft, smooth surface like a carpet to avoid scratches.
4. Don't fully tighten screws until all parts are confirmed in place to avoid misalignment.

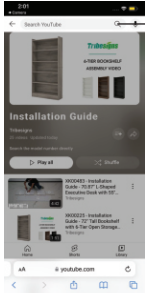
How to Get the Assembly Video

Step 1 Scan the QR code.



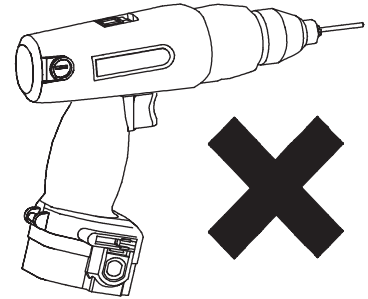
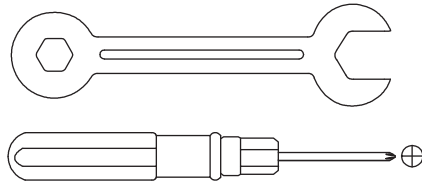
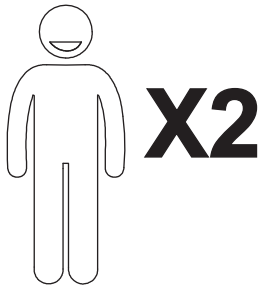
Installation Video

Step 2 Search with the Model No.
(on the bottom left corner of the title page)



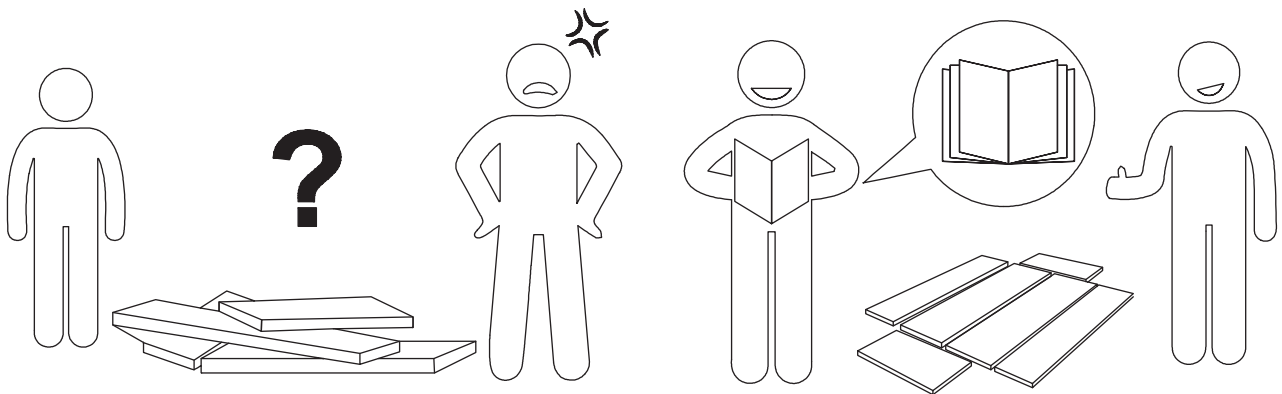
HOGA-RY0233

Note: If you can't find the assembly video, please contact us.



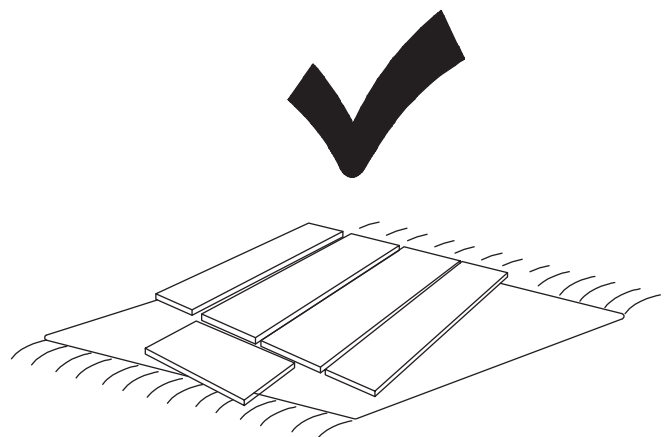
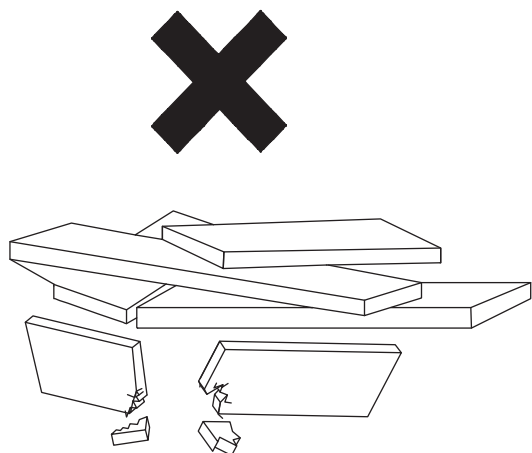
We recommend using hand tools for assembly.

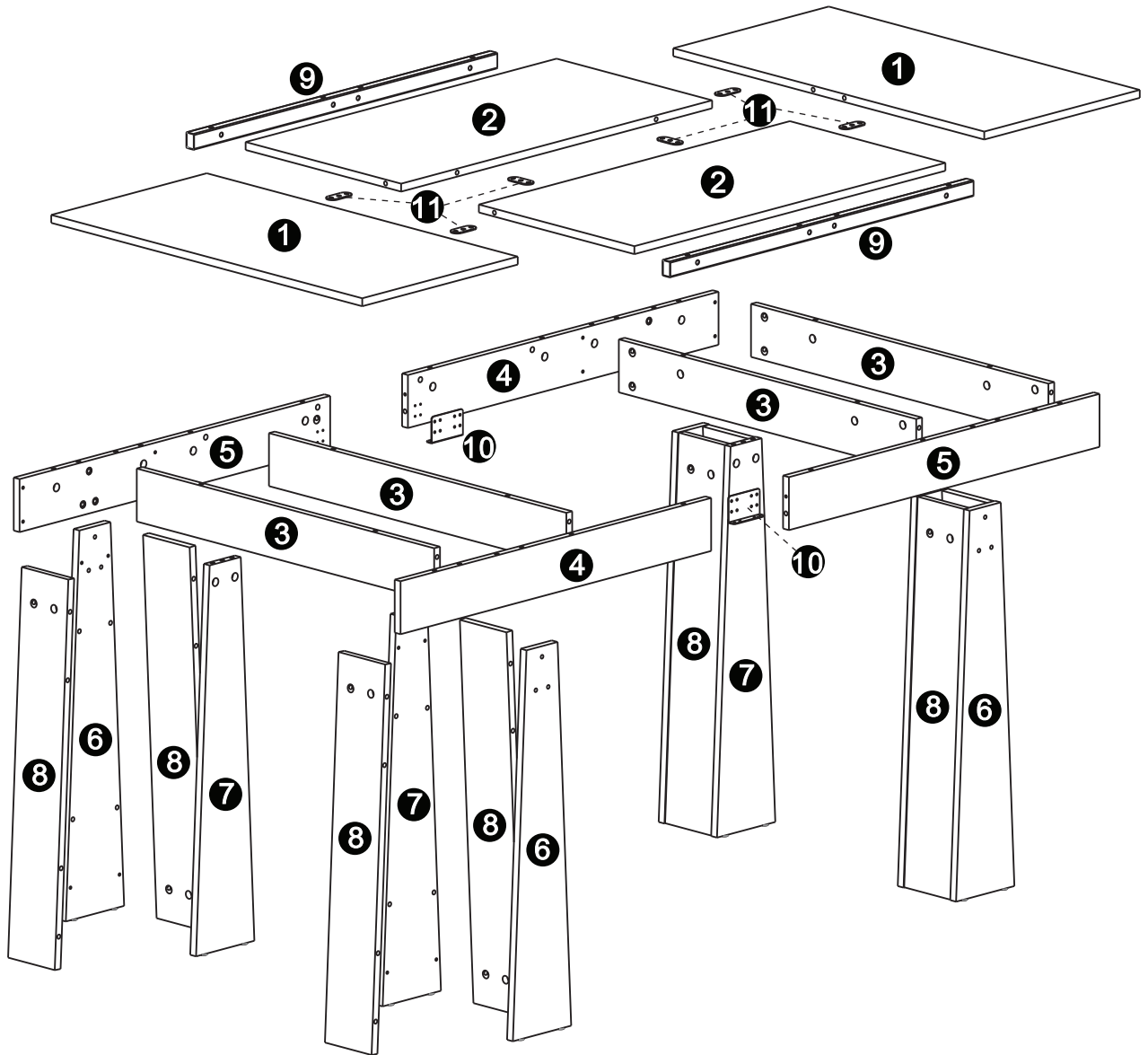
If an electric screwdriver is used, reduce power and torque to avoid damage to the product.



AVOID SCRATCHES

In order to avoid scratching, this furniture should be assembled on a soft surface, such as a rug.



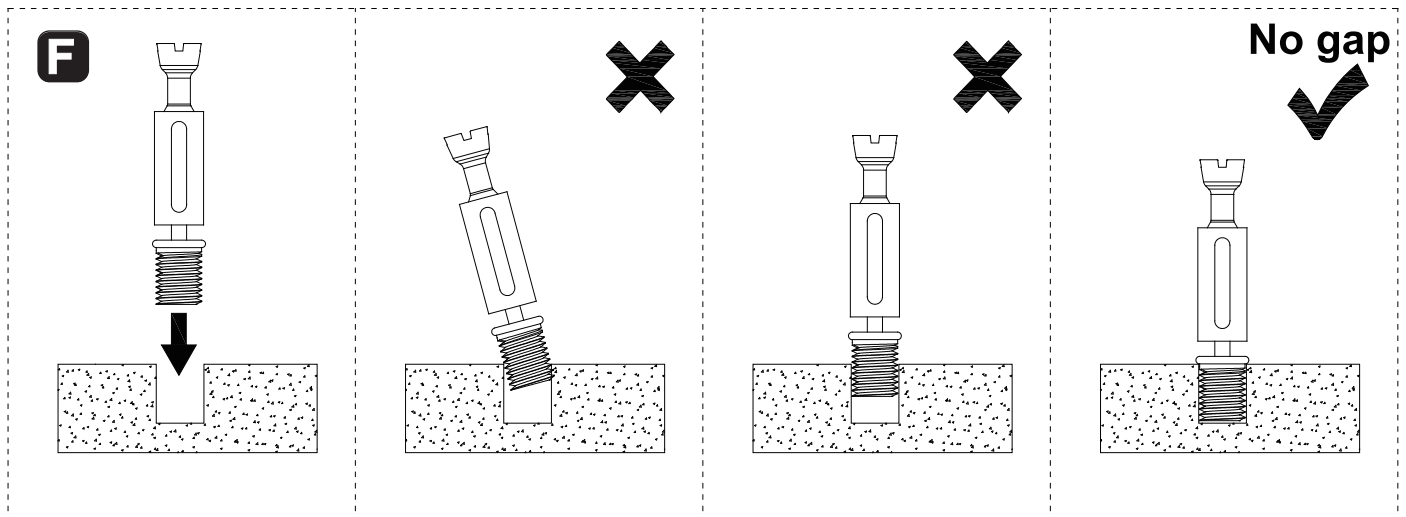


 Caution

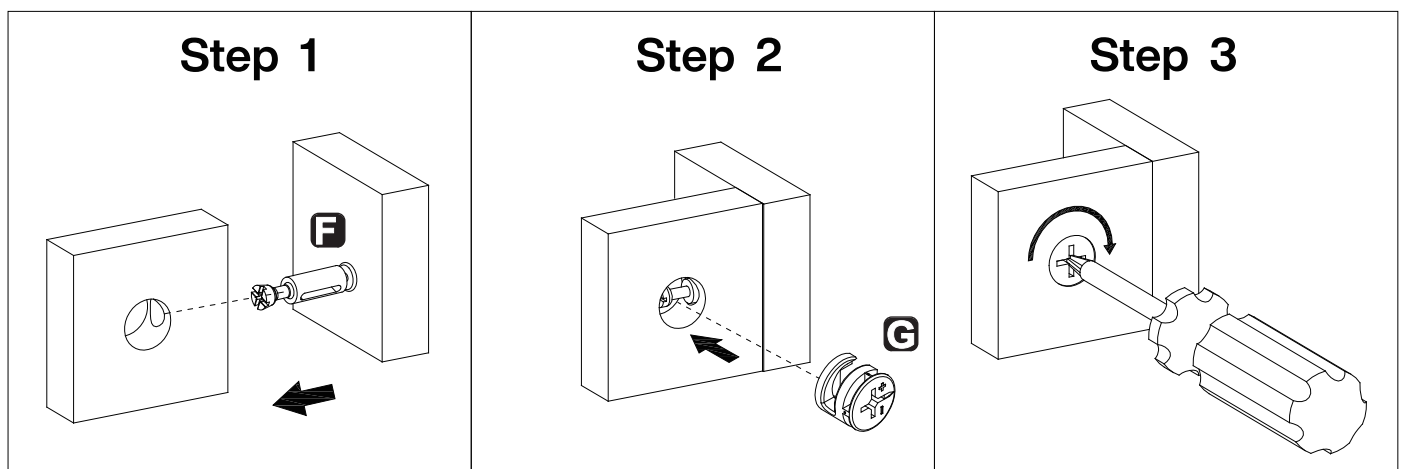
Make sure all parts are included. Most board parts are labeled or stamped on the raw edge. Contact us for a free replacement if you encounter any damaged or missing parts.

Installation of Cams and Pins

Read each step carefully before starting. Each step of instruction should be performed in the correct order. If these steps are not followed in sequence, assembly difficulties may occur.

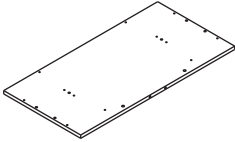
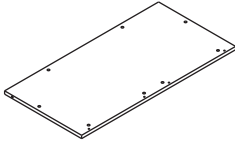
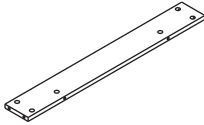
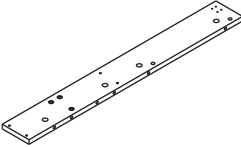
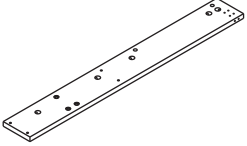
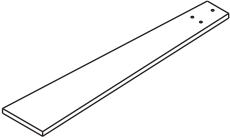
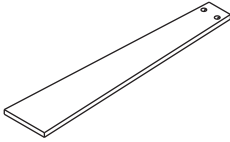
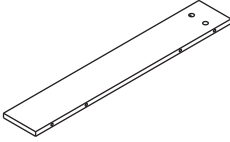
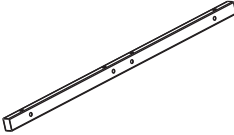
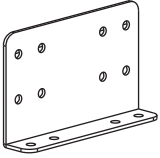
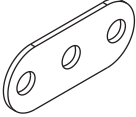


Screw the pin into the hole. Set the cams correctly by aligning the head of the cams with the lock pins. Lock the cam by turning the cam head with a screwdriver until it is tightened. Please do not use an electric screwdriver to assemble the unit.



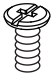
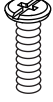
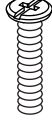
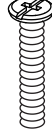

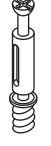



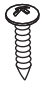

Parts List

1  2 pcs	2  2 pcs	3  4 pcs	4  2 pcs	5  2 pcs
6  4 pcs	7  4 pcs	8  8 pcs	9  2 pcs	10  2 pcs
11  6 pcs				



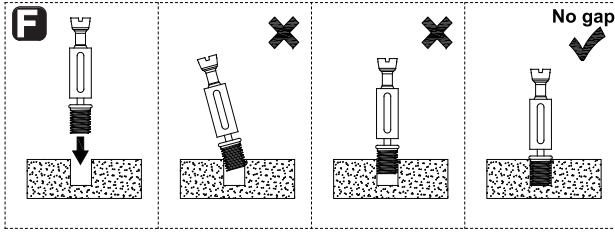
Hardware List


A	B	C	D	E	F
					
M6×10mm	M6×25mm	M6×30mm	M6×40mm	Ø8×30mm	M6×44.5mm
12 pcs	12 pcs	8 pcs	8 pcs	52 pcs	82 pcs

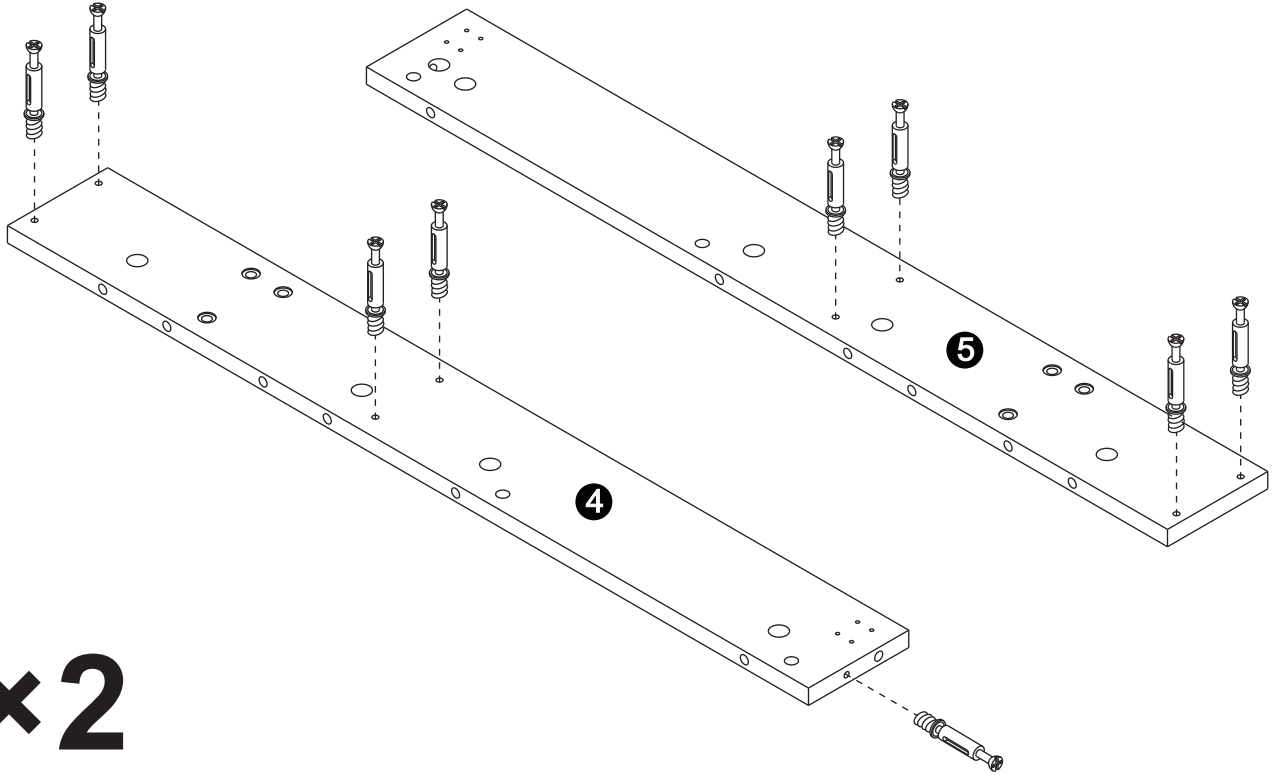
G	H	I			
					
Ø15mm	4×13.5mm				
82 pcs	24 pcs	1 pc			




1

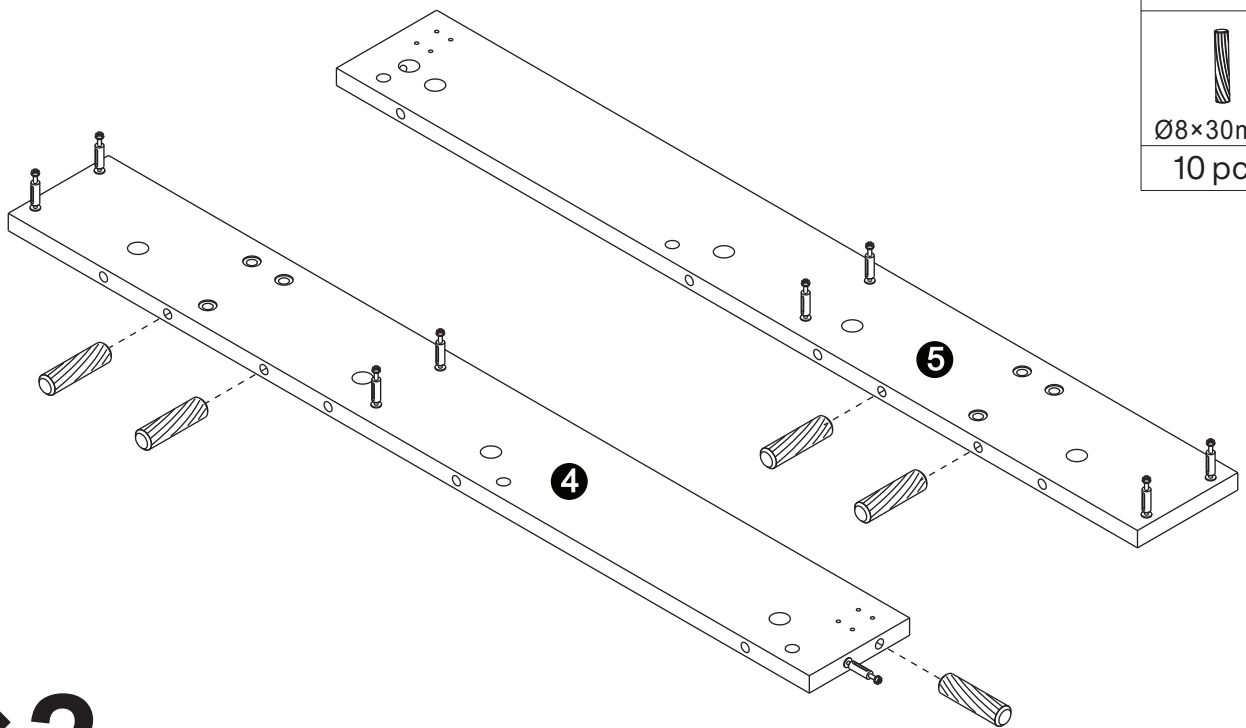


F

M6×44.5mm
18 pcs



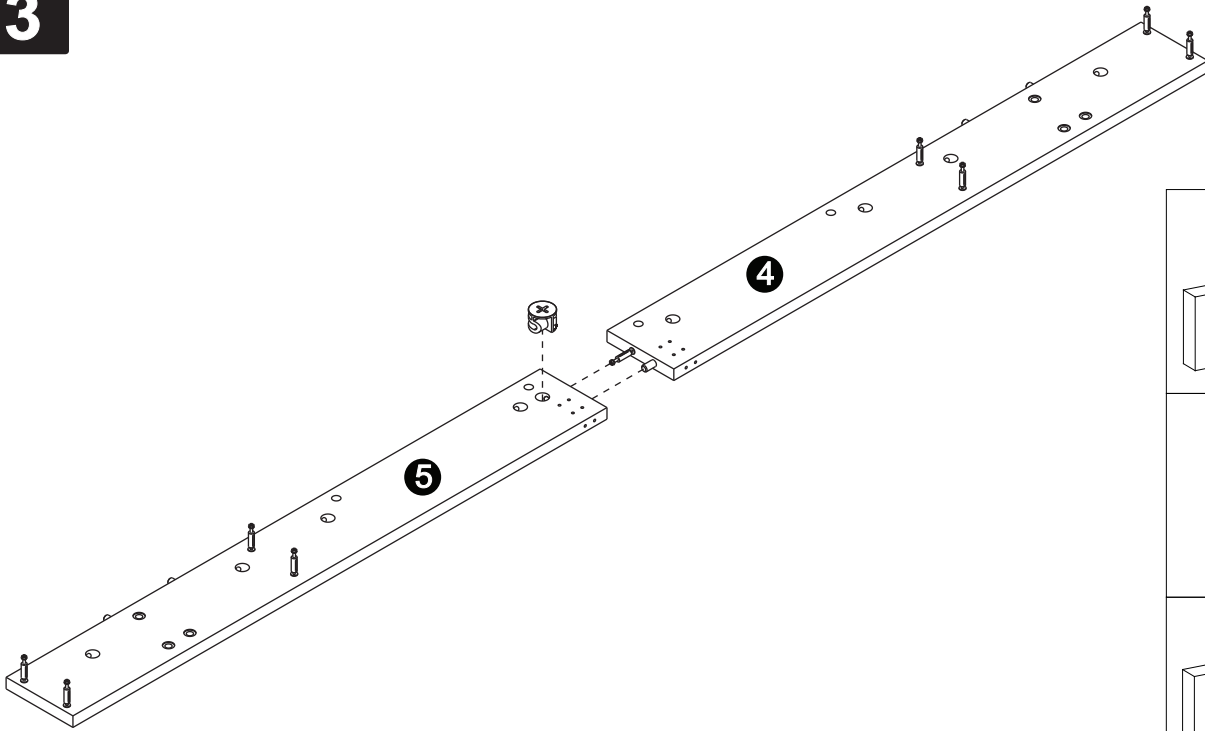
2

E

Ø8×30mm
10 pcs





3

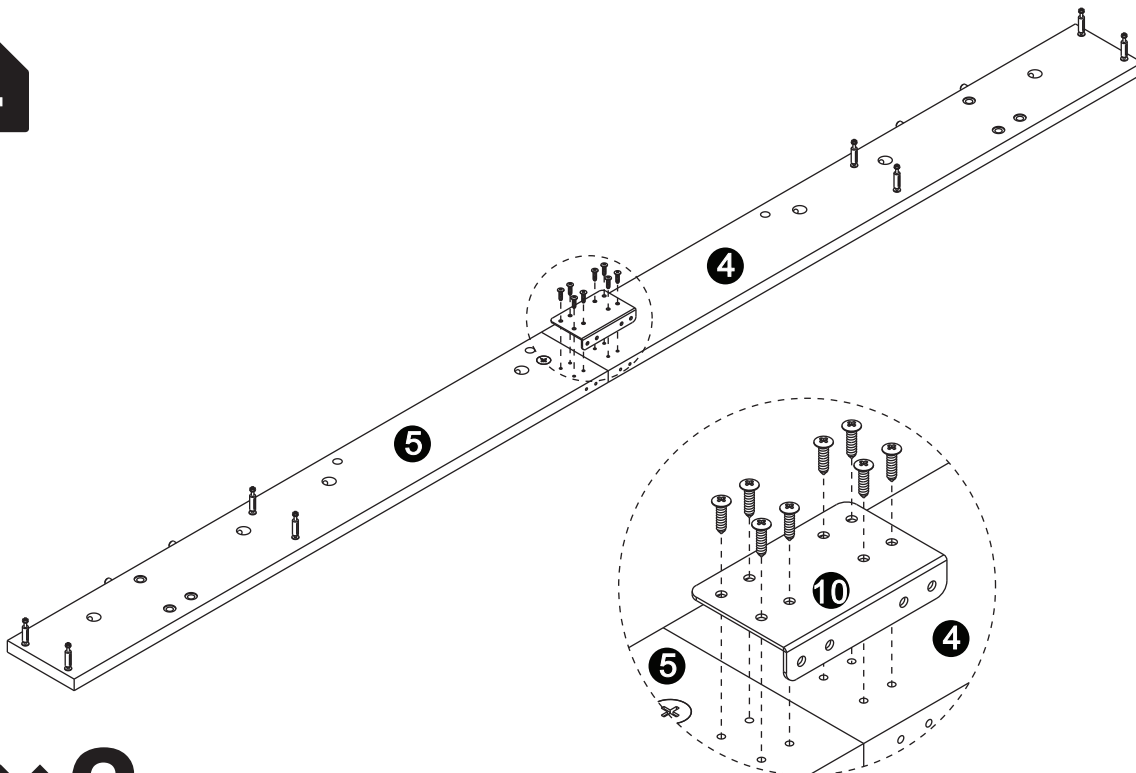


G
Ø15mm
2 pcs

Step 1
Step 2
Step 3

×2

4

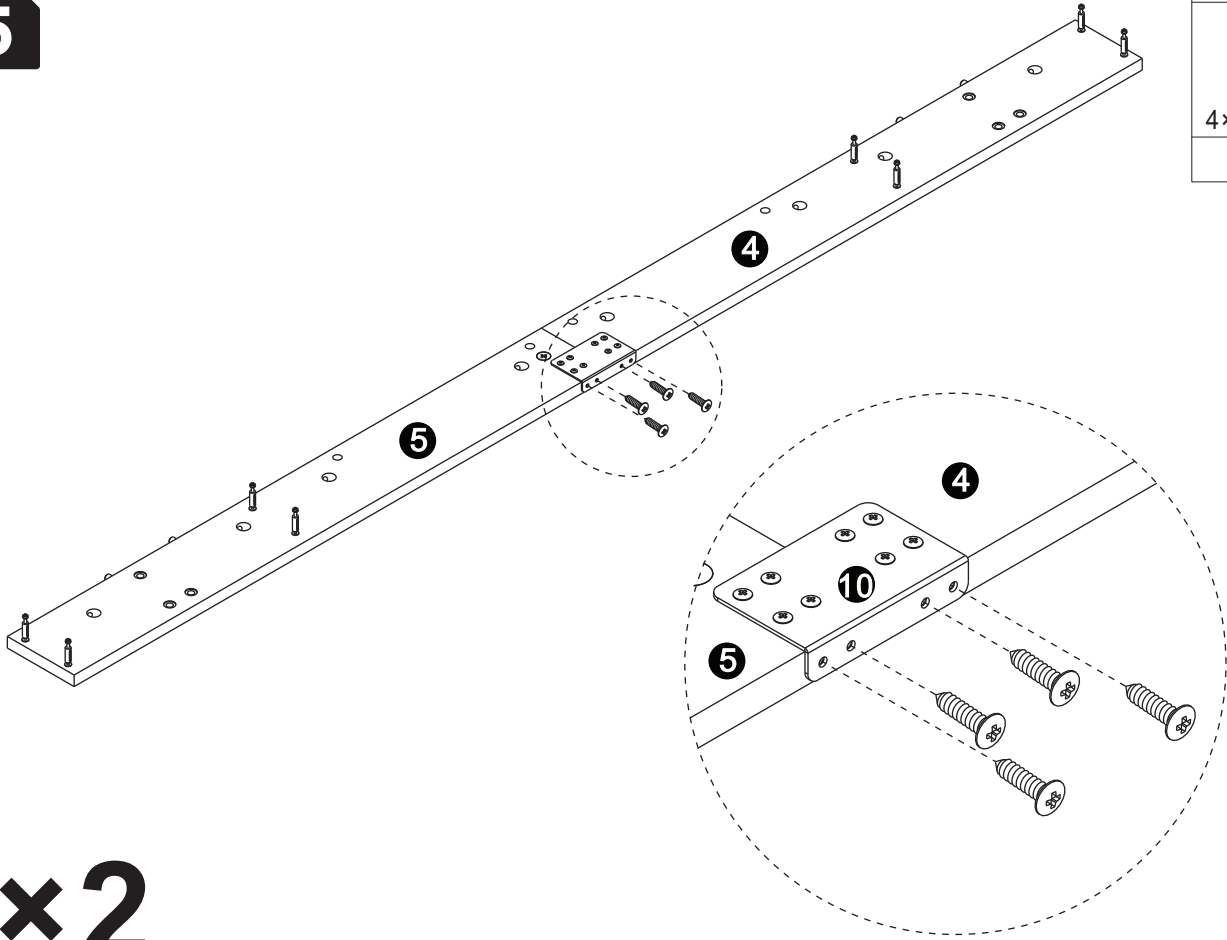



H
4×13.5mm
16 pcs

×2



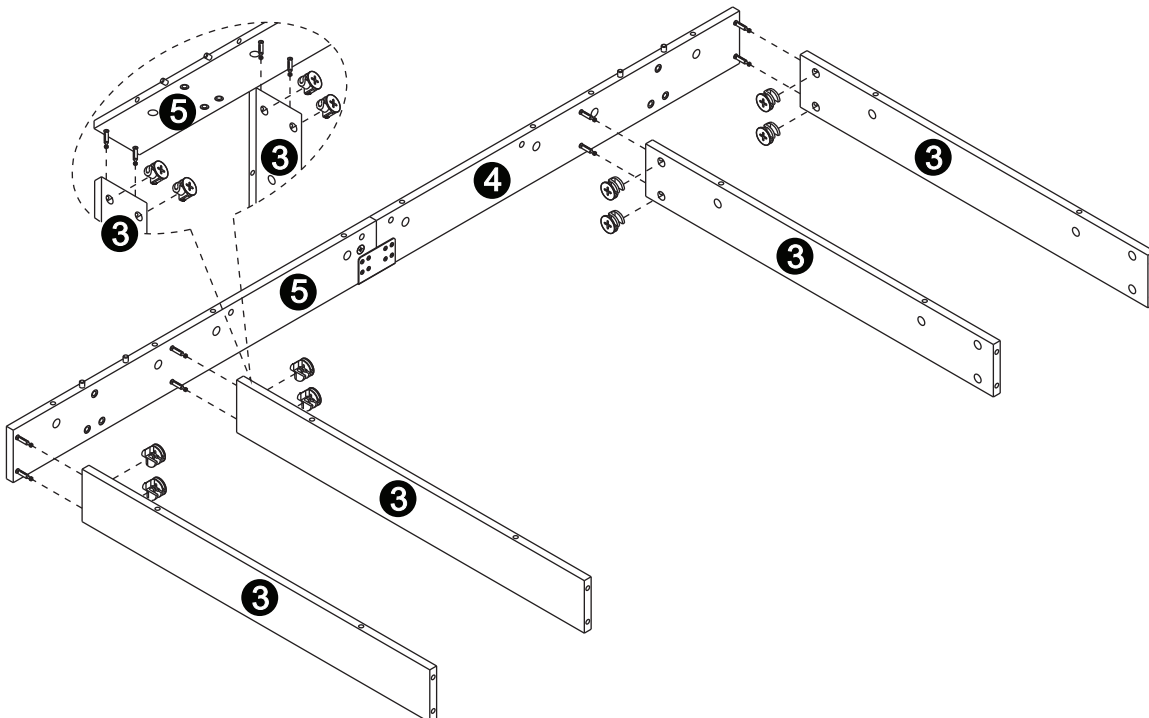
5




H

4×13.5mm
8 pcs

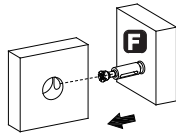
×2

6

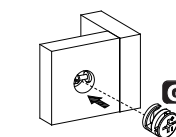


G

Ø15mm
8 pcs

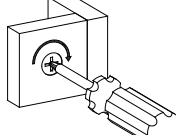
Step 1



Step 2

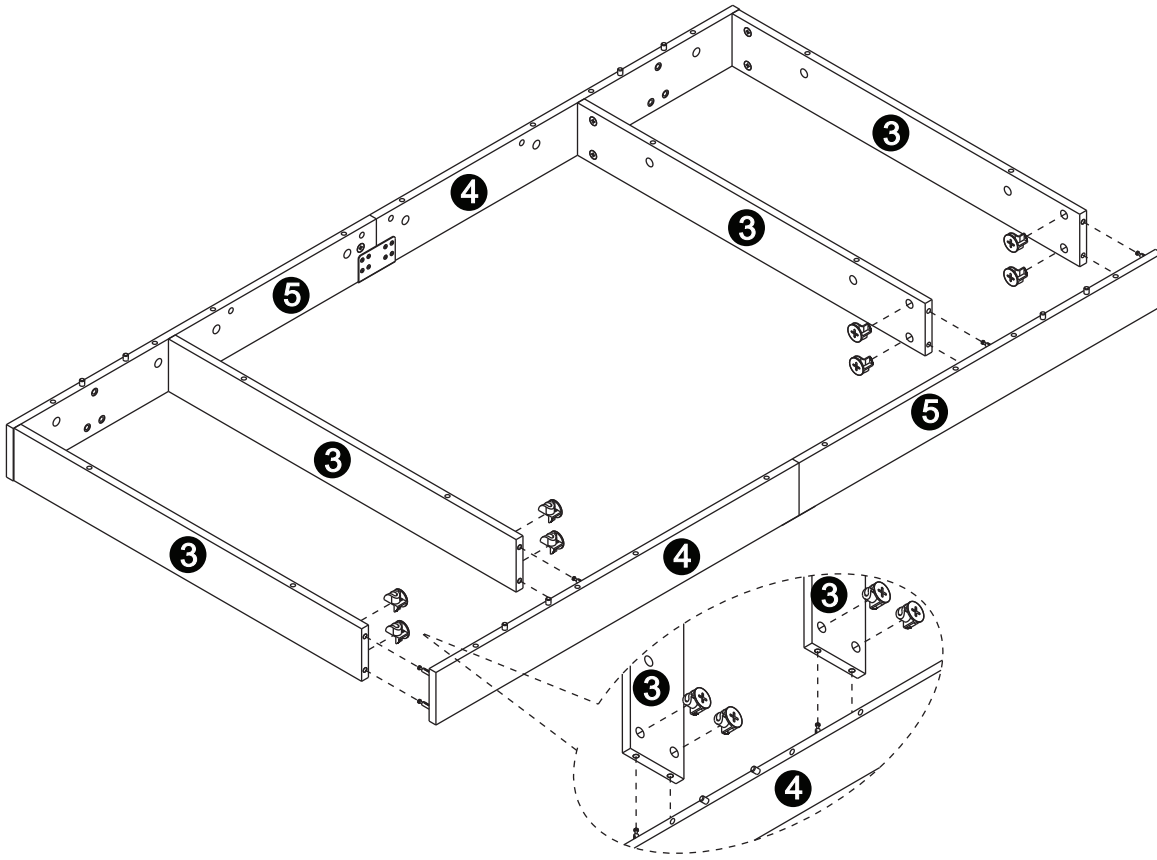


Step 3





7



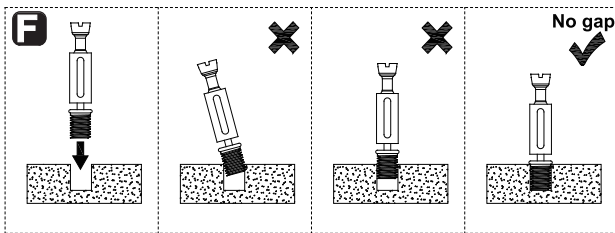
G
Ø15mm
8 pcs

Step 1

Step 2

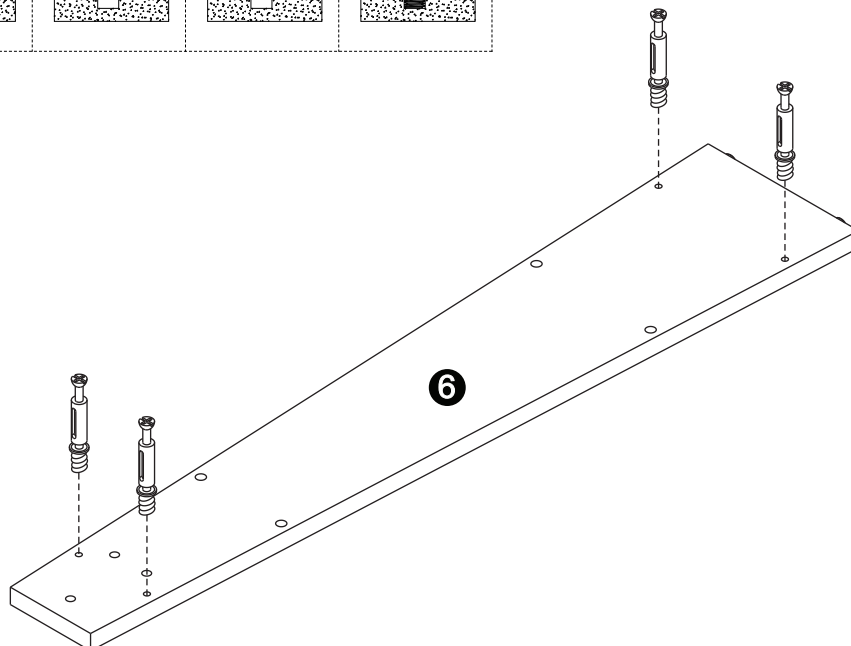
Step 3

8



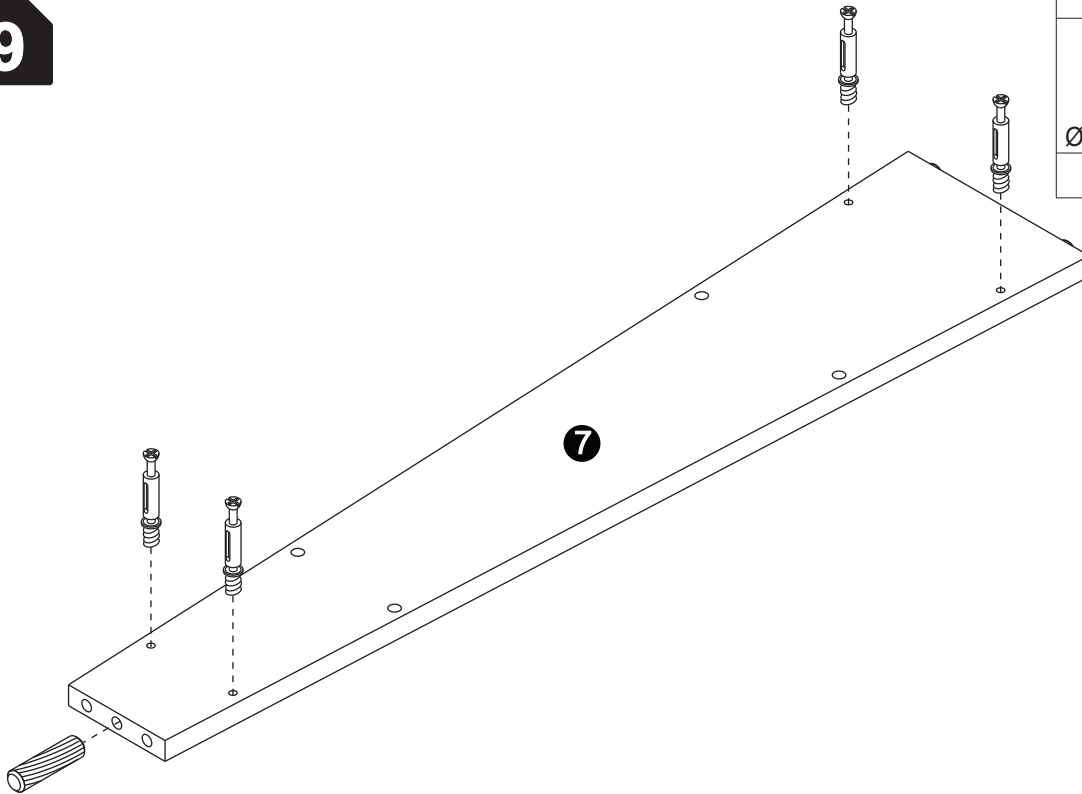
F
M6×44.5mm
16 pcs



×4





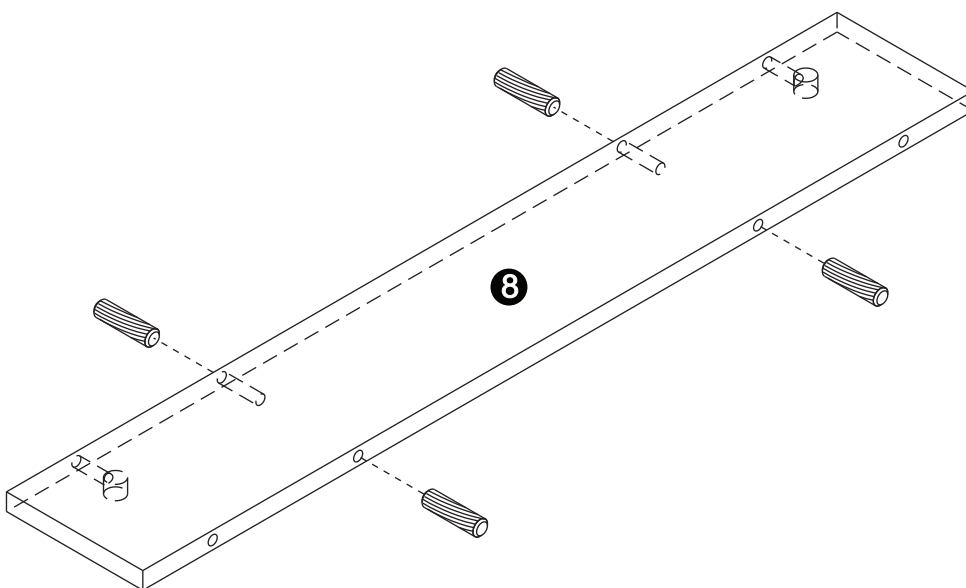
9




E	F
	
Ø8×30mm	M6×44.5mm
4 pcs	16 pcs

×4

10

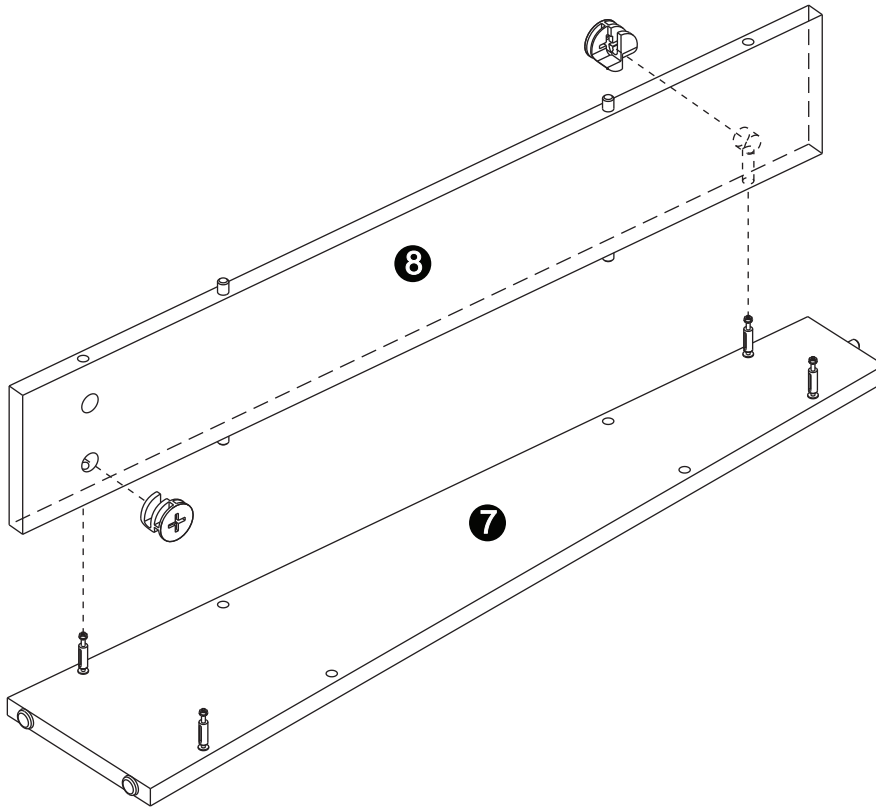



E

Ø8×30mm
32 pcs

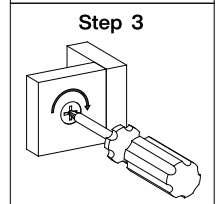
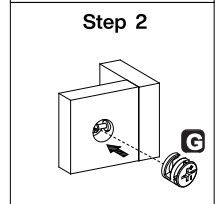
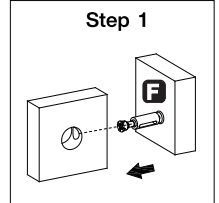
×8



11

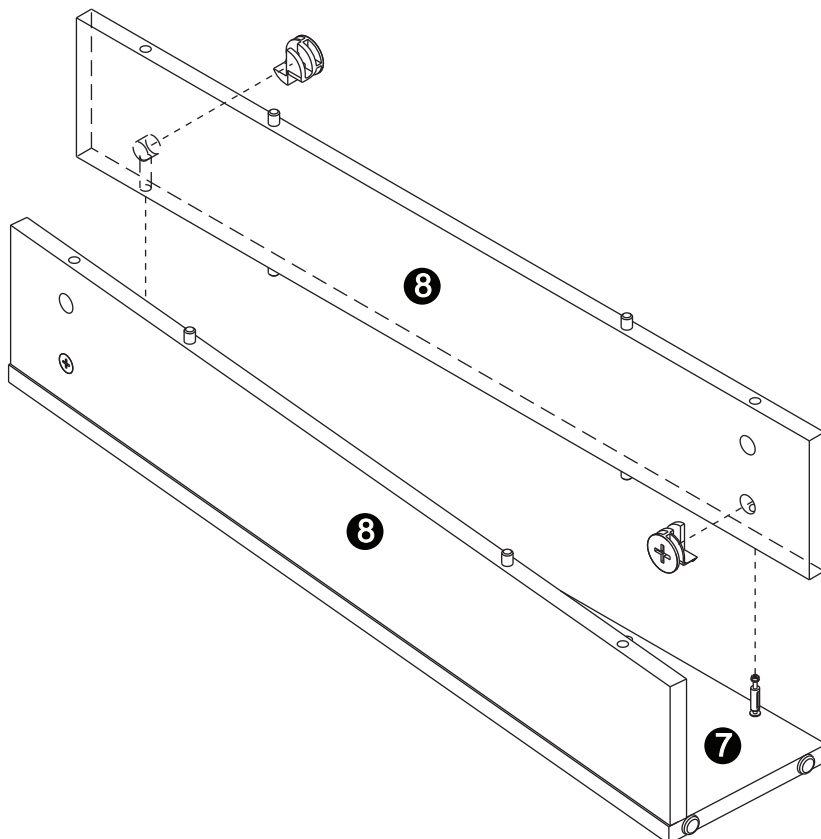



G

Ø15mm
8 pcs

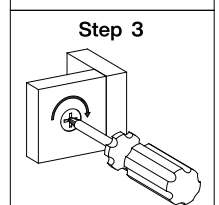
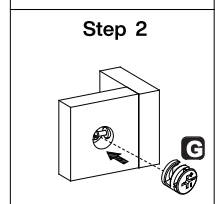
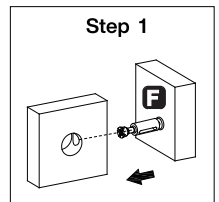


×4

12



G

Ø15mm
8 pcs

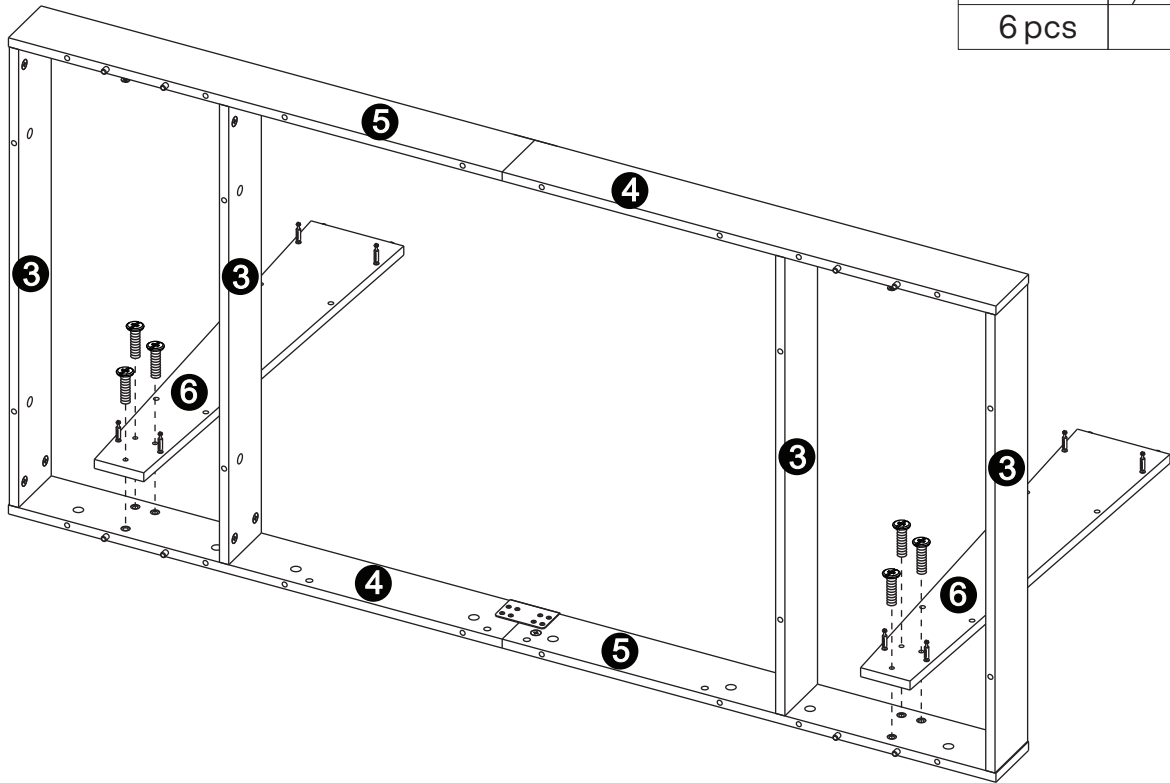


×4



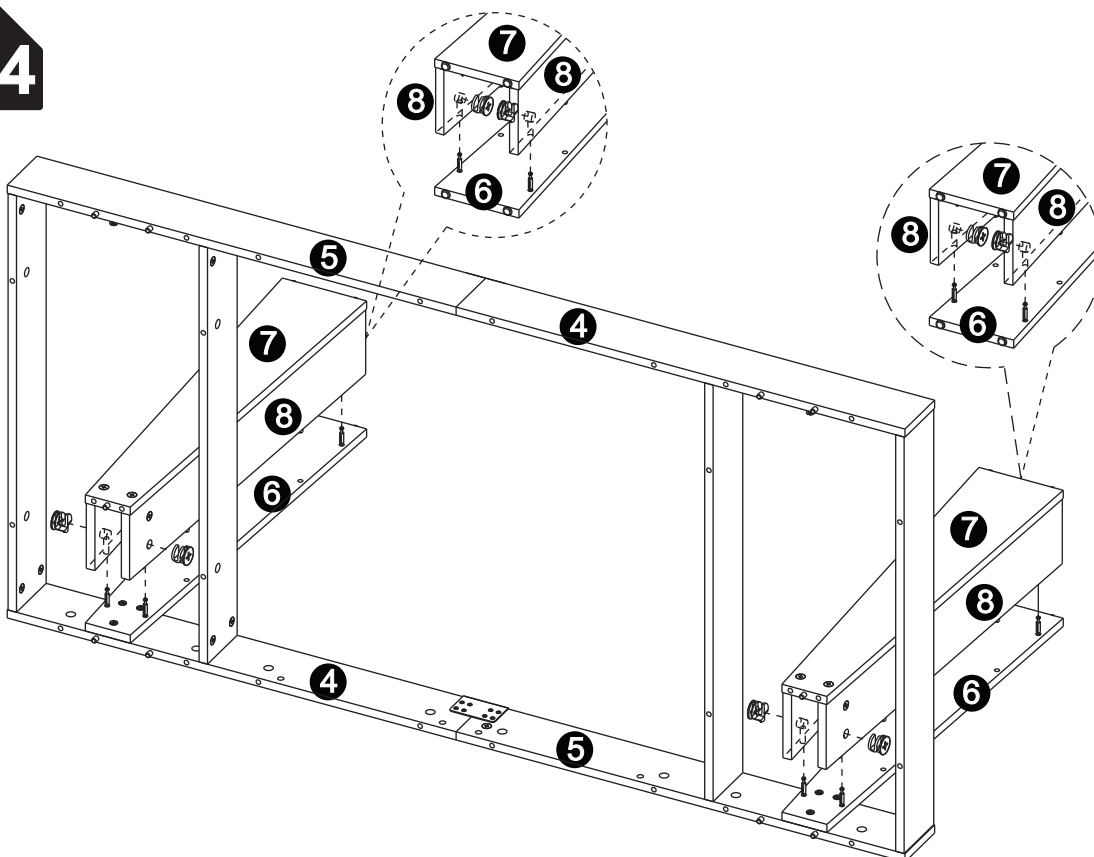
13

B	C
M6×25mm	M6×30mm
6 pcs	



14

G
Ø15mm
8 pcs



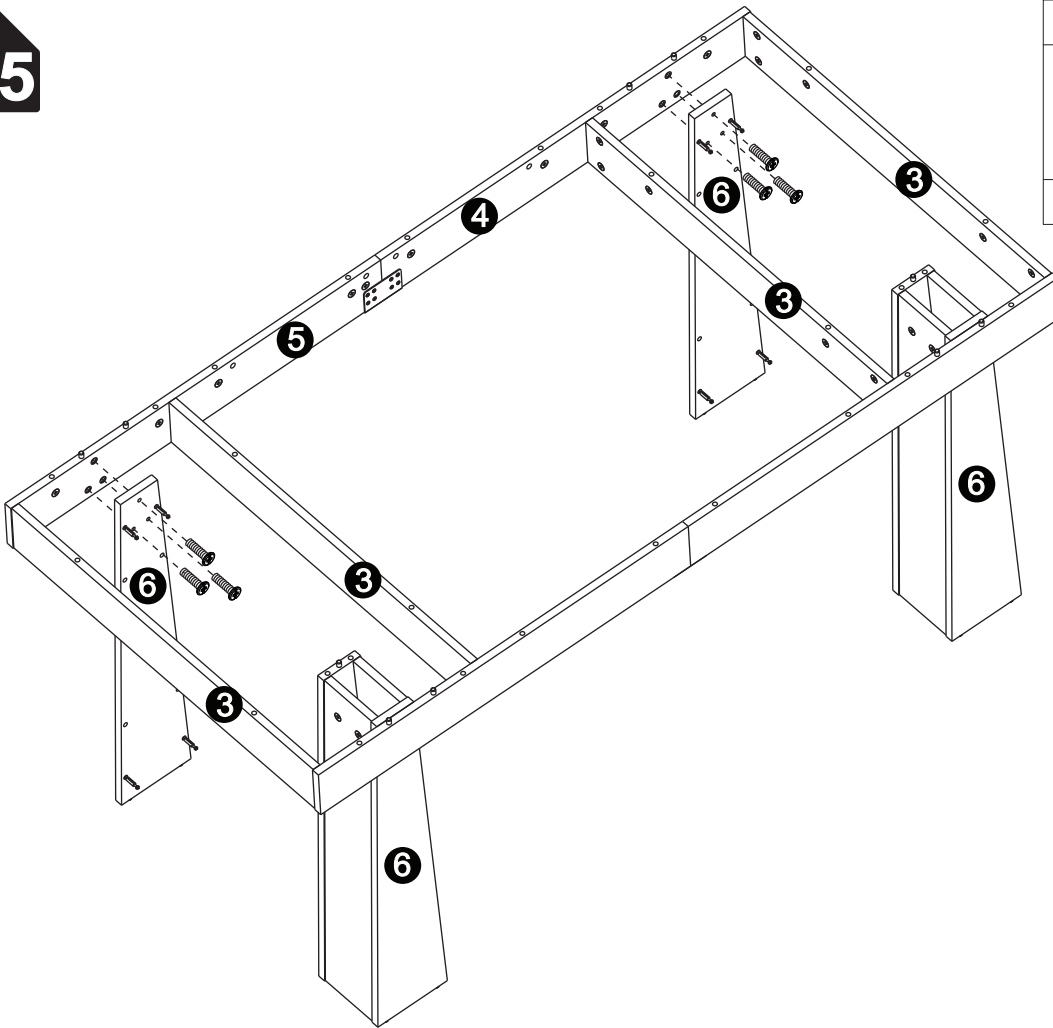
Step 1

Step 2

Step 3

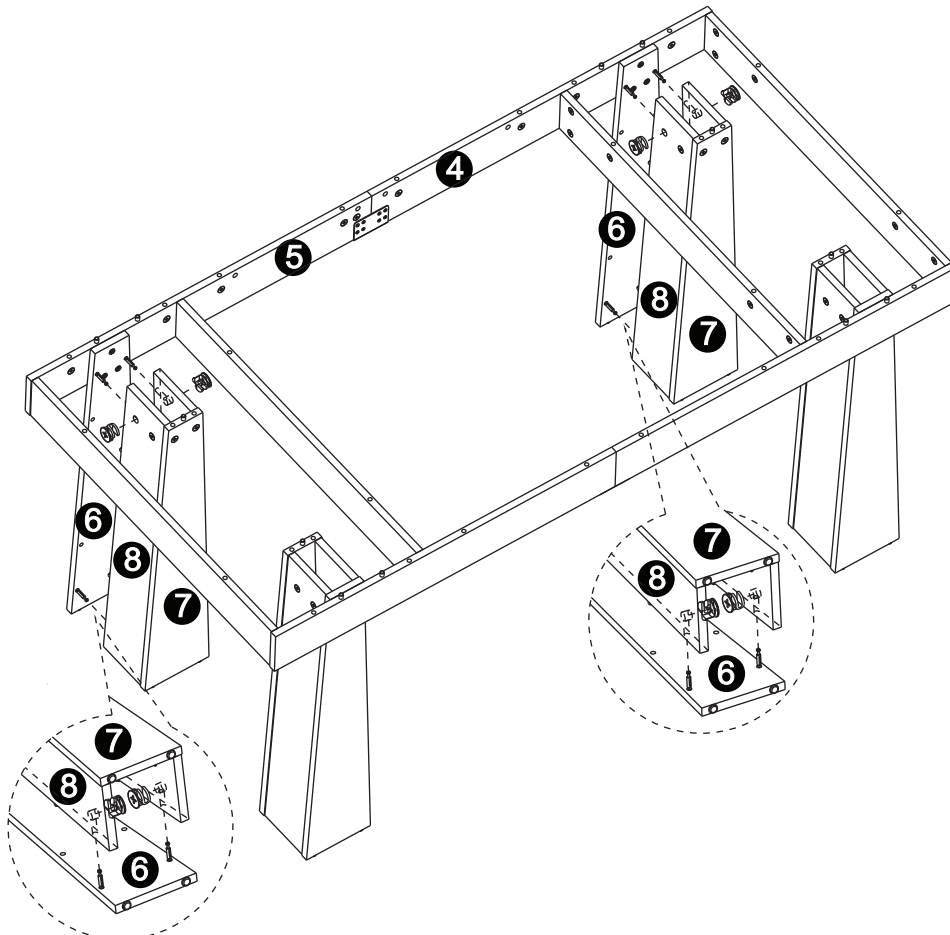


15



B	C
M6×25mm	M6×30mm
6 pcs	

16



G
Ø15mm
8 pcs

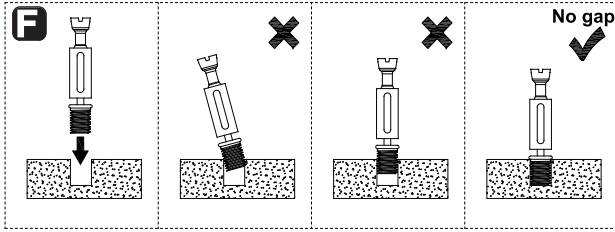
Step 1

Step 2

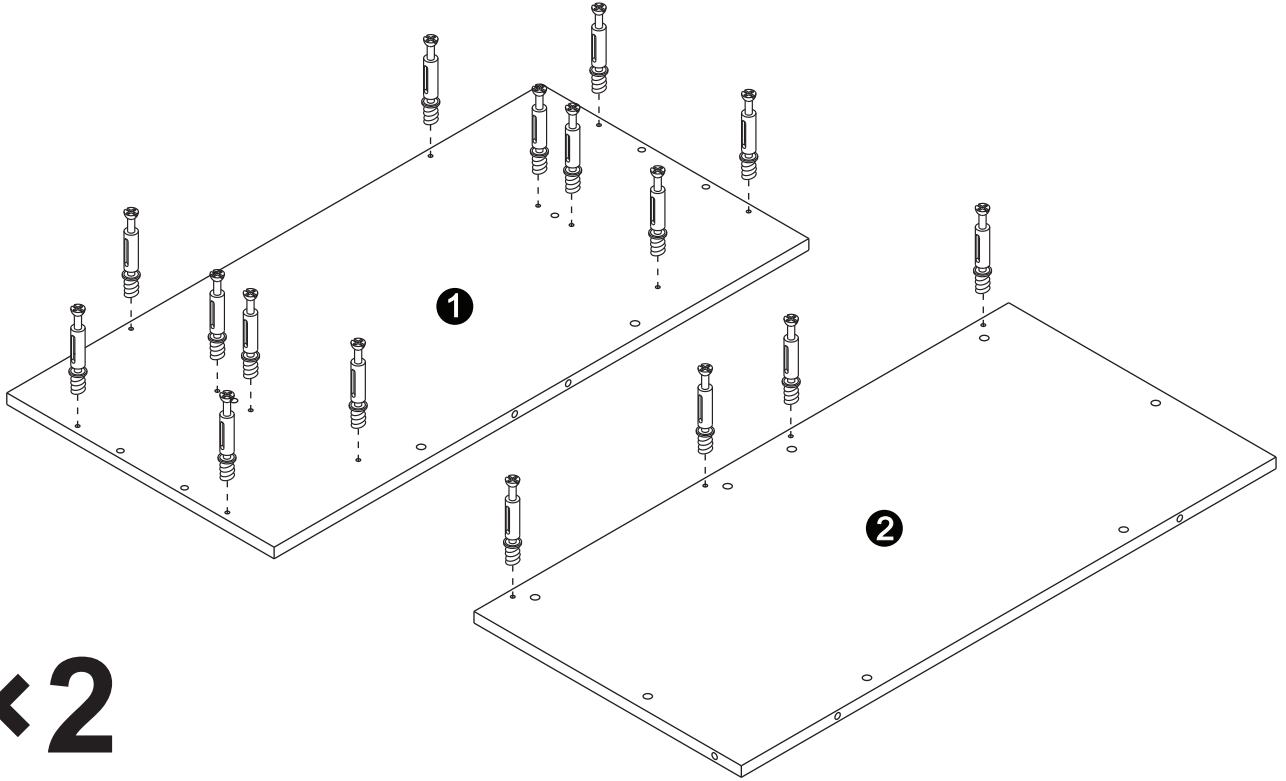
Step 3



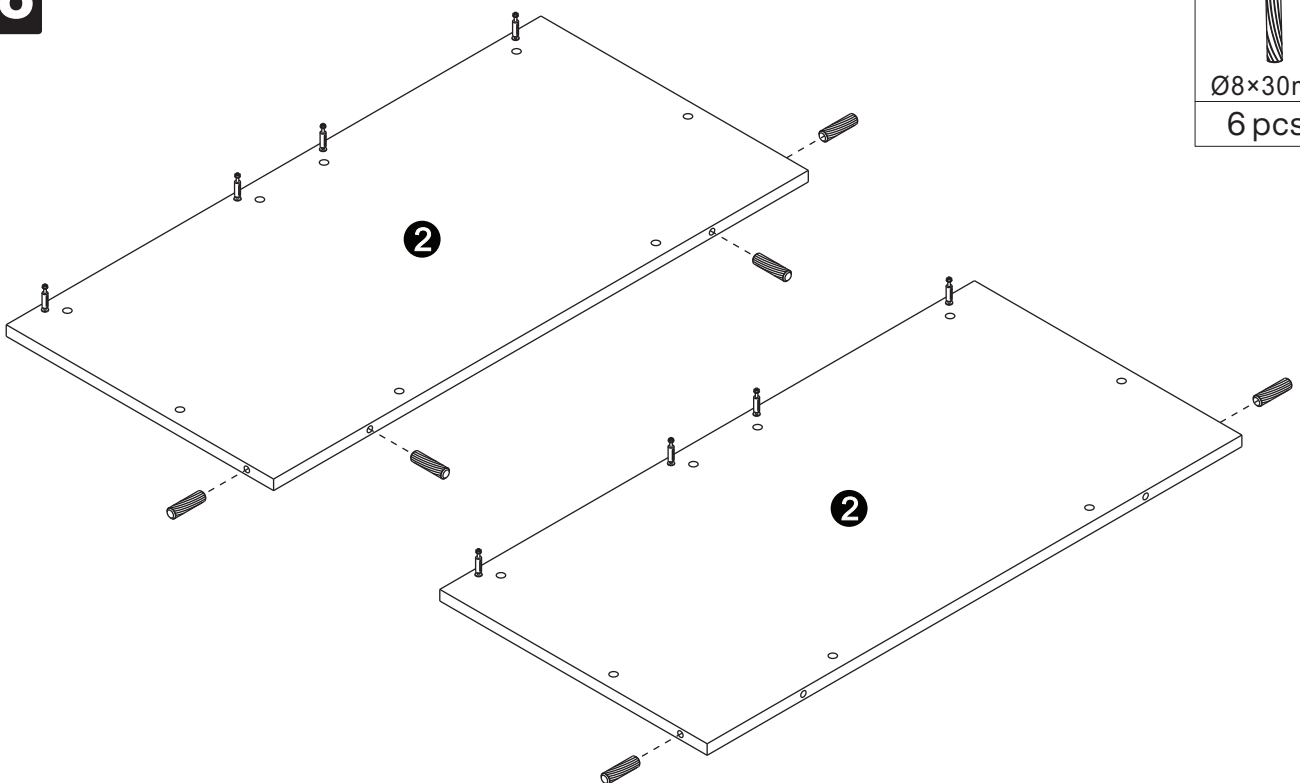
17



F
M6×44.5mm
32 pcs



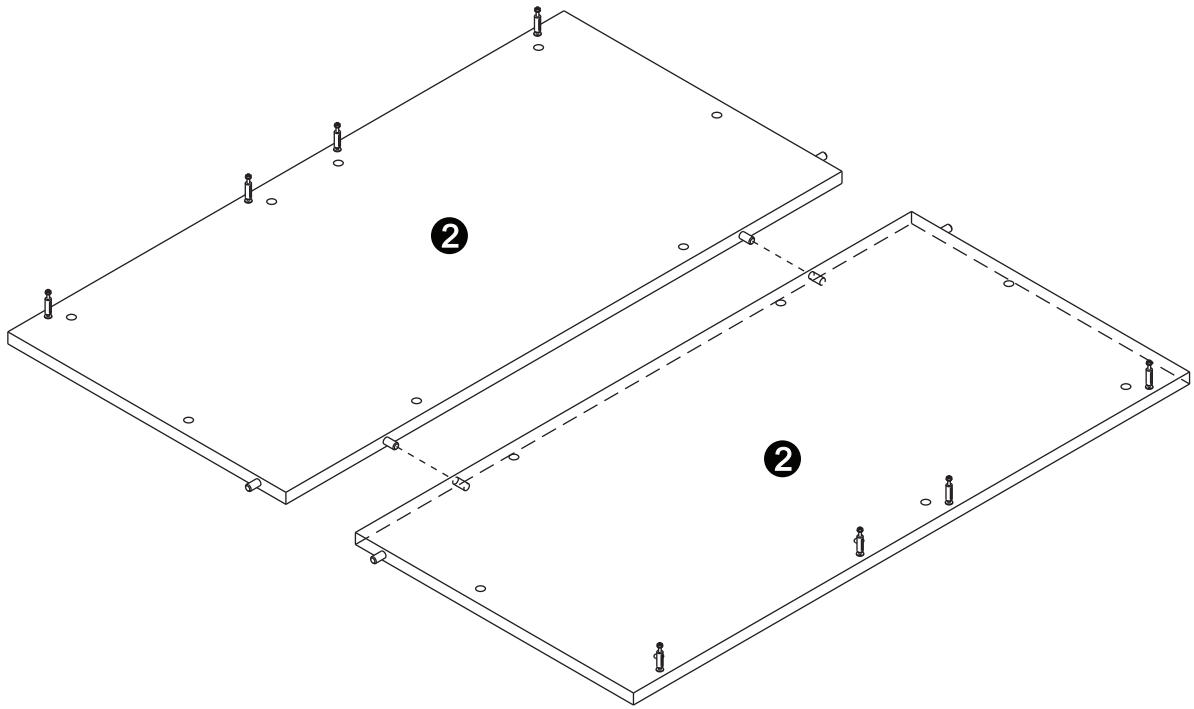
18



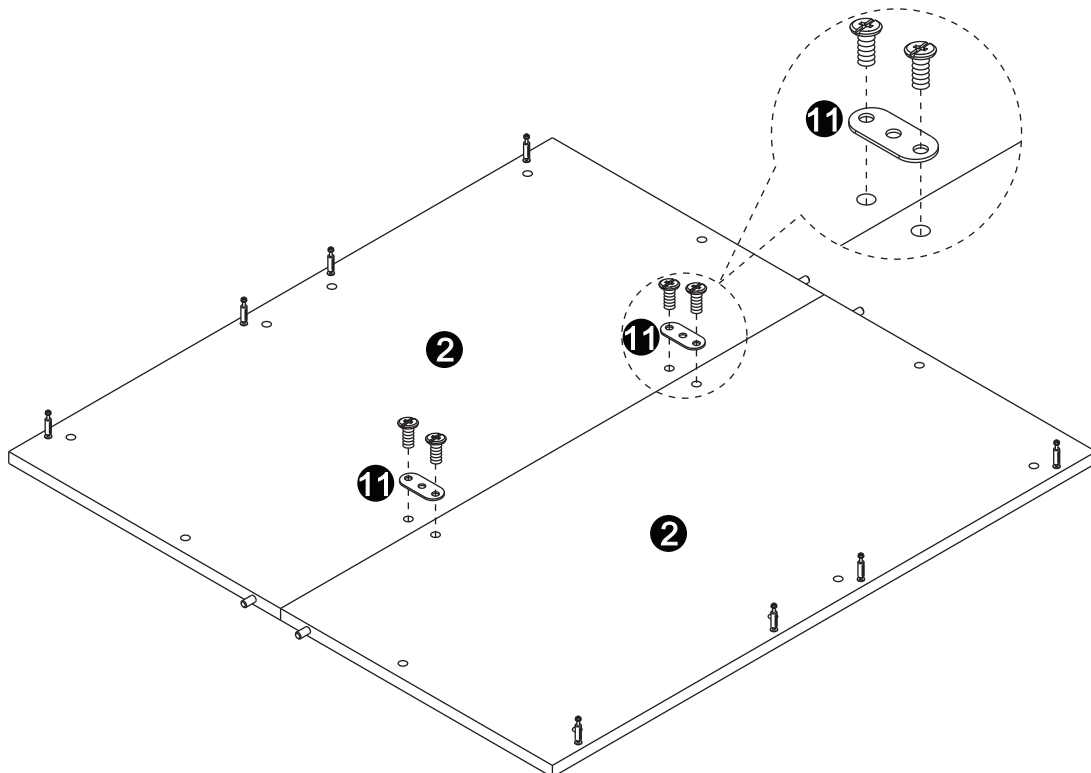
E
Ø8×30mm
6 pcs




19



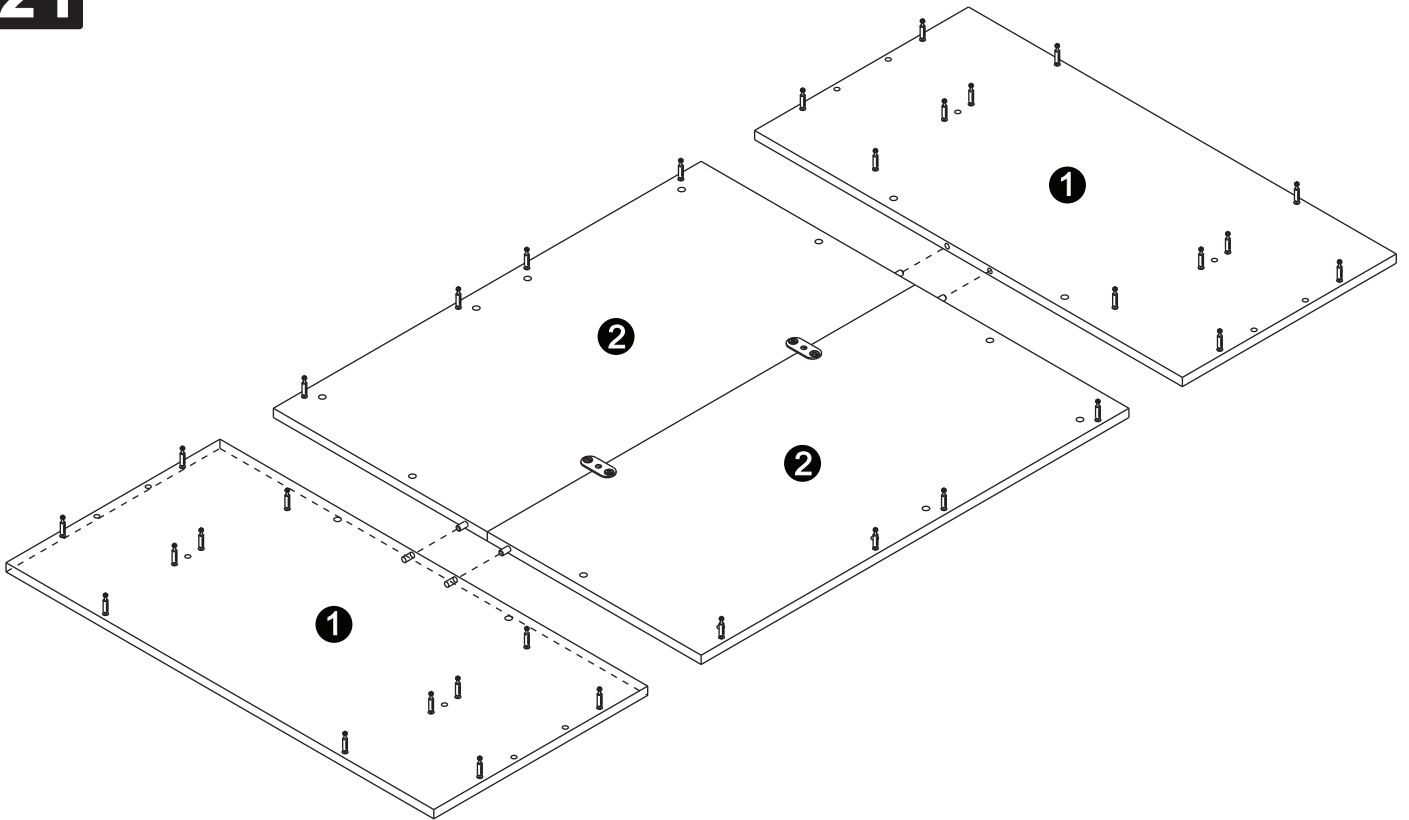
20



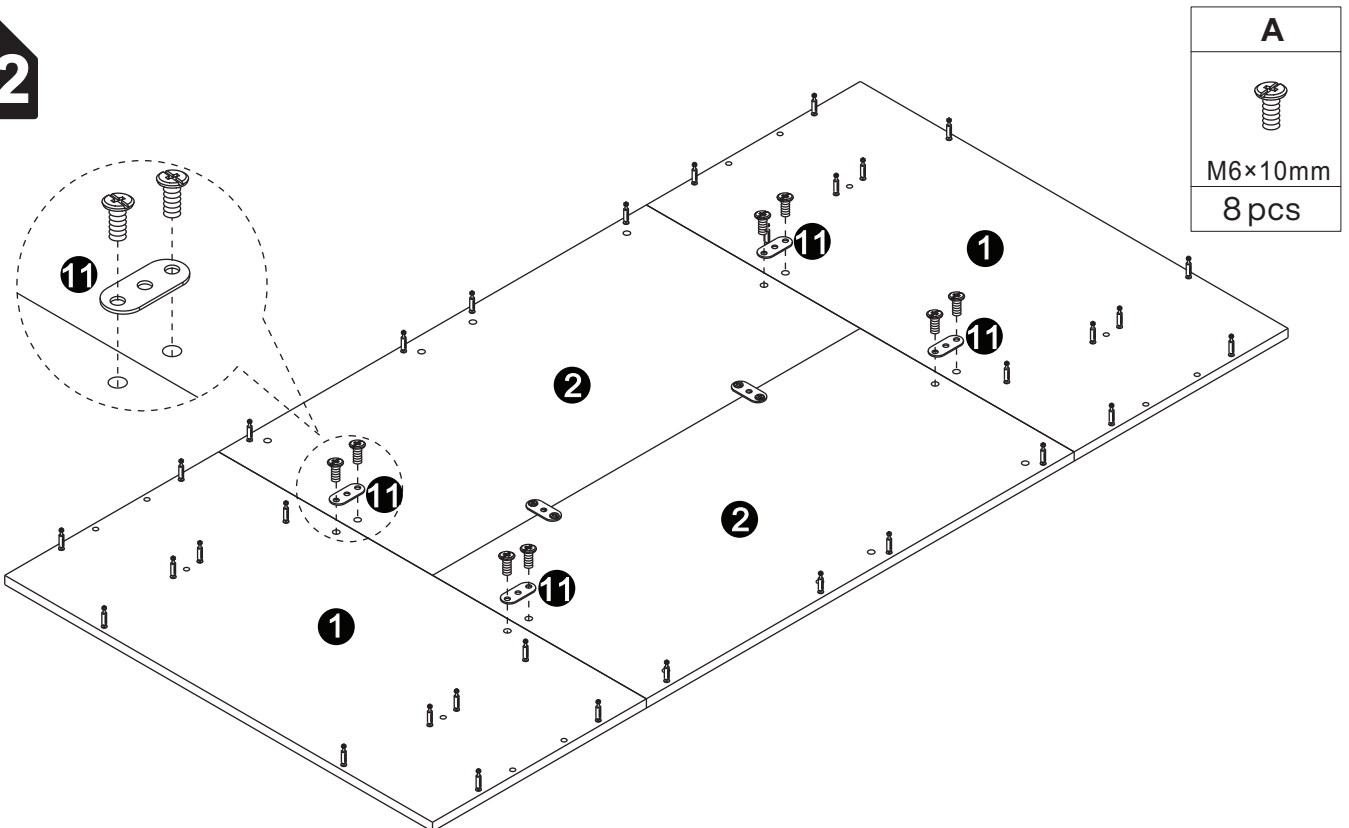
A

M6×10mm
4 pcs



21

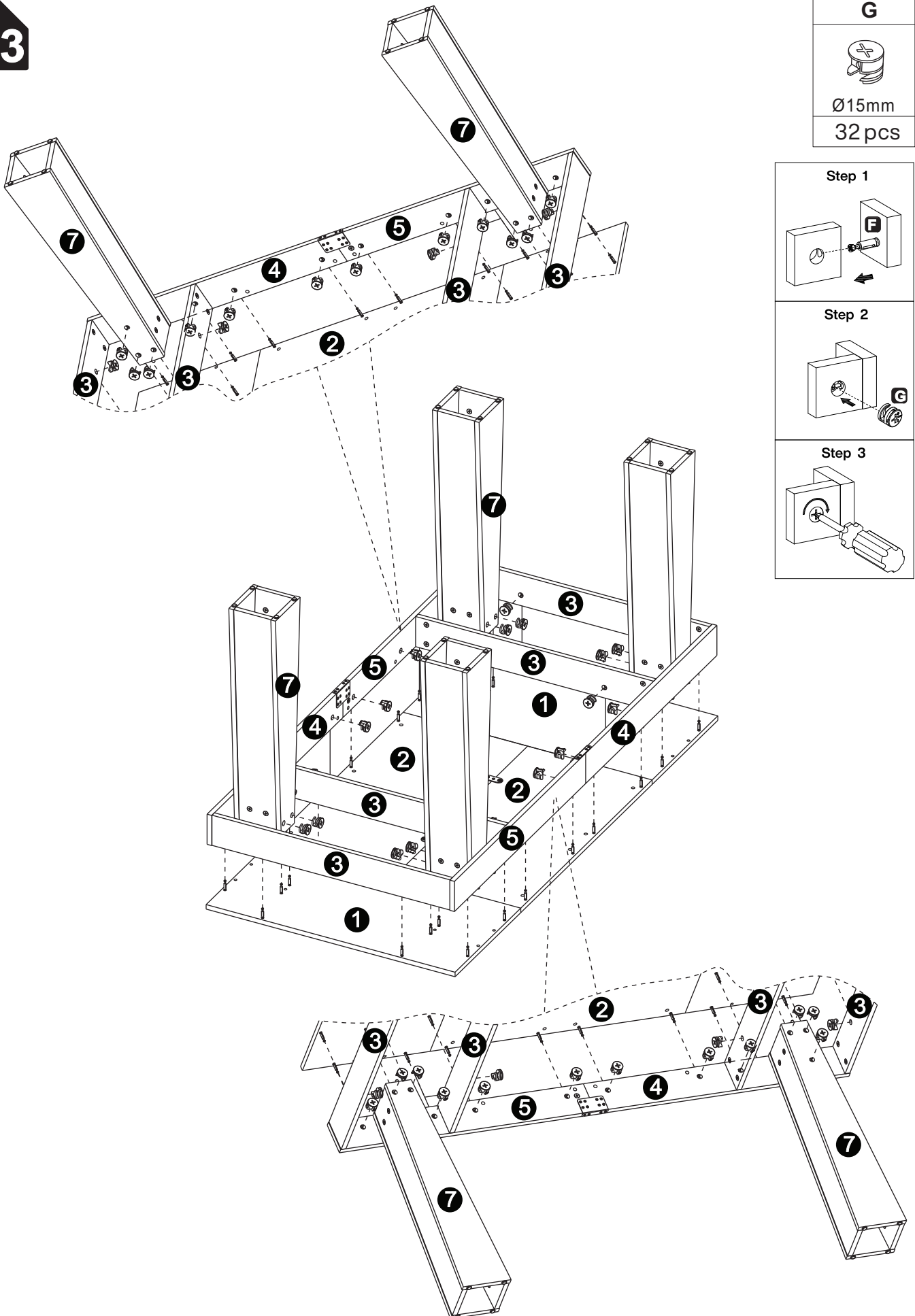


22



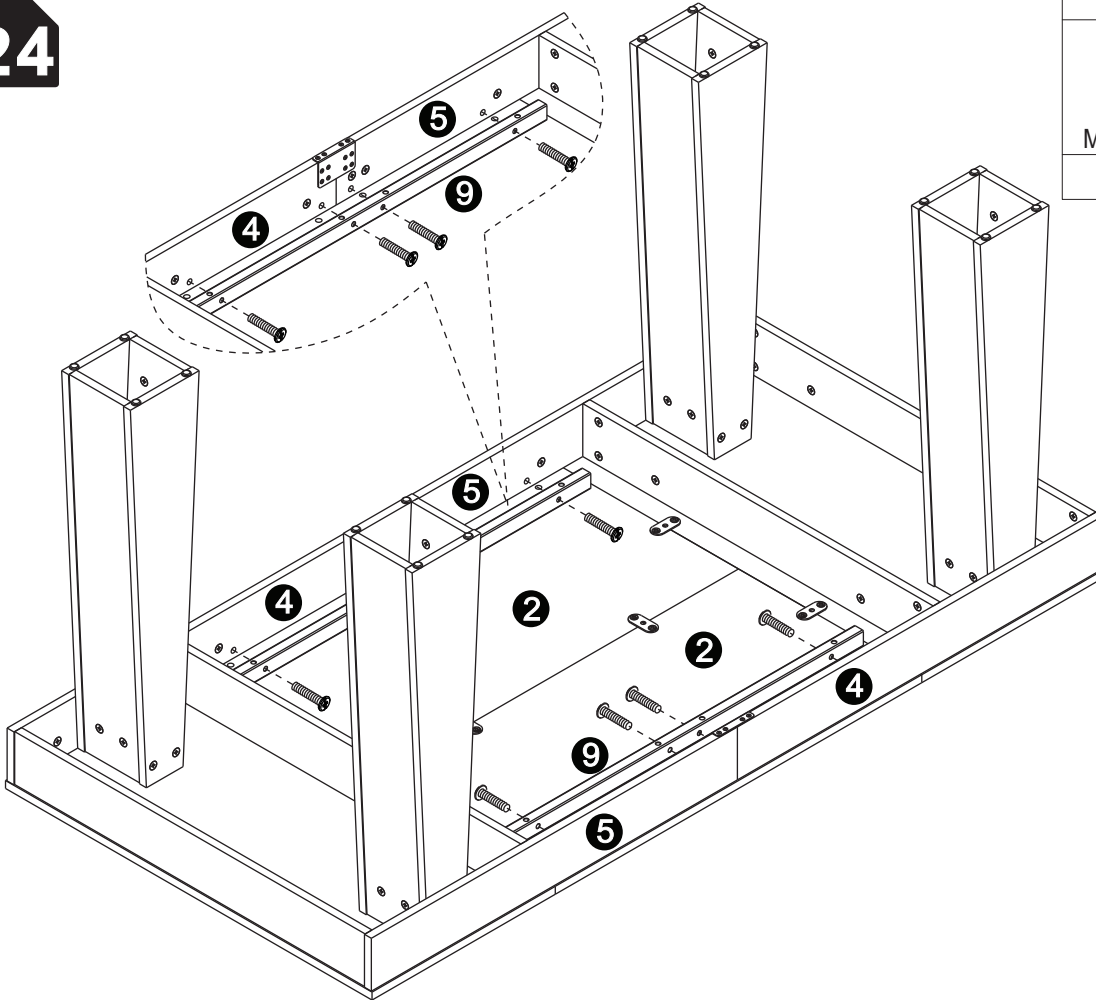


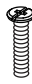

23



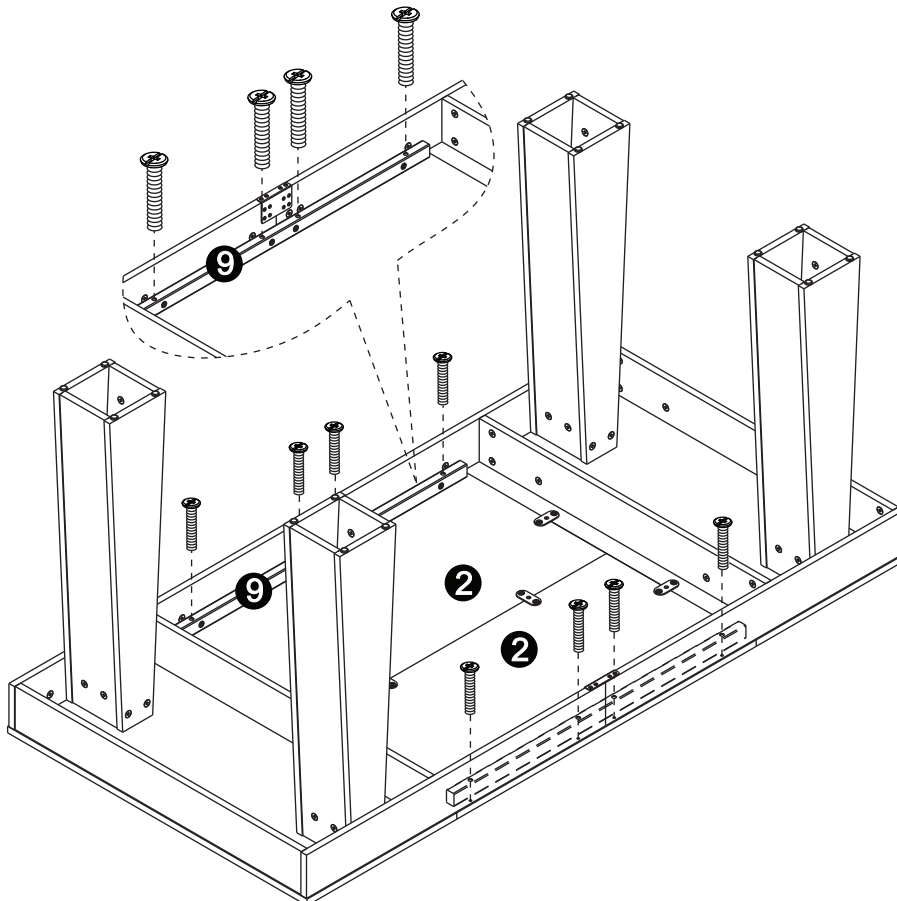


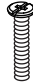
24



C	D
	
M6×30mm	M6×40mm
8 pcs	

25

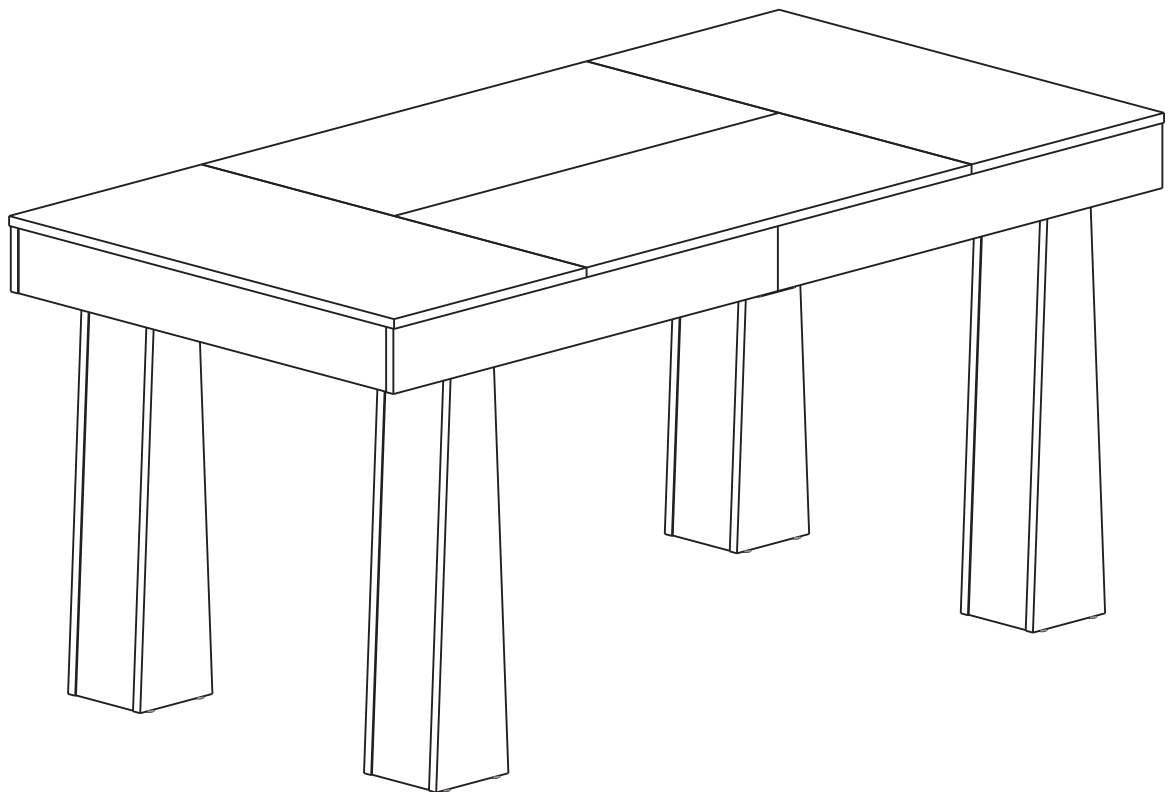


D

M6×40mm
8 pcs



DESIGNED FOR LIFE

Thank you for your support!



Contact our customer service team



support@tribesigns.com
www.tribesigns.com



1-424-220-6888
7 AM to 8 PM EST,
Monday to Friday

Follow Tribesigns



Facebook



Instagram



Pinterest



Twitter



YouTube



TikTok



WhatsApp