

Instruction Manual

Please save this manual for future reference.

Product Name:	TV Stand with Sliding Tambour Doors and Rounded Corners
----------------------	---------------------------------------------------------



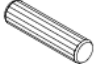
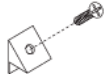

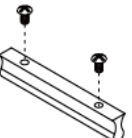

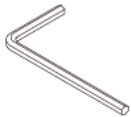

Thank you for purchasing this product. This product has been manufactured with the highest standards of safety and quality.

PLEASE READ ALL INSTRUCTIONS BEFORE ASSEMBLY.

Unpack all parts from the packaging inside the carton to ensure there are no missing or damaged parts. Do not attempt to assemble or use the product if any parts are missing or damaged.

CARTON CONTENTS:

Hardware –

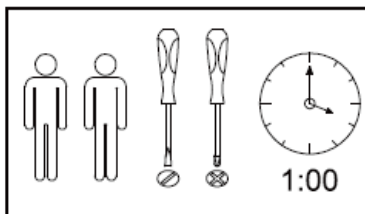
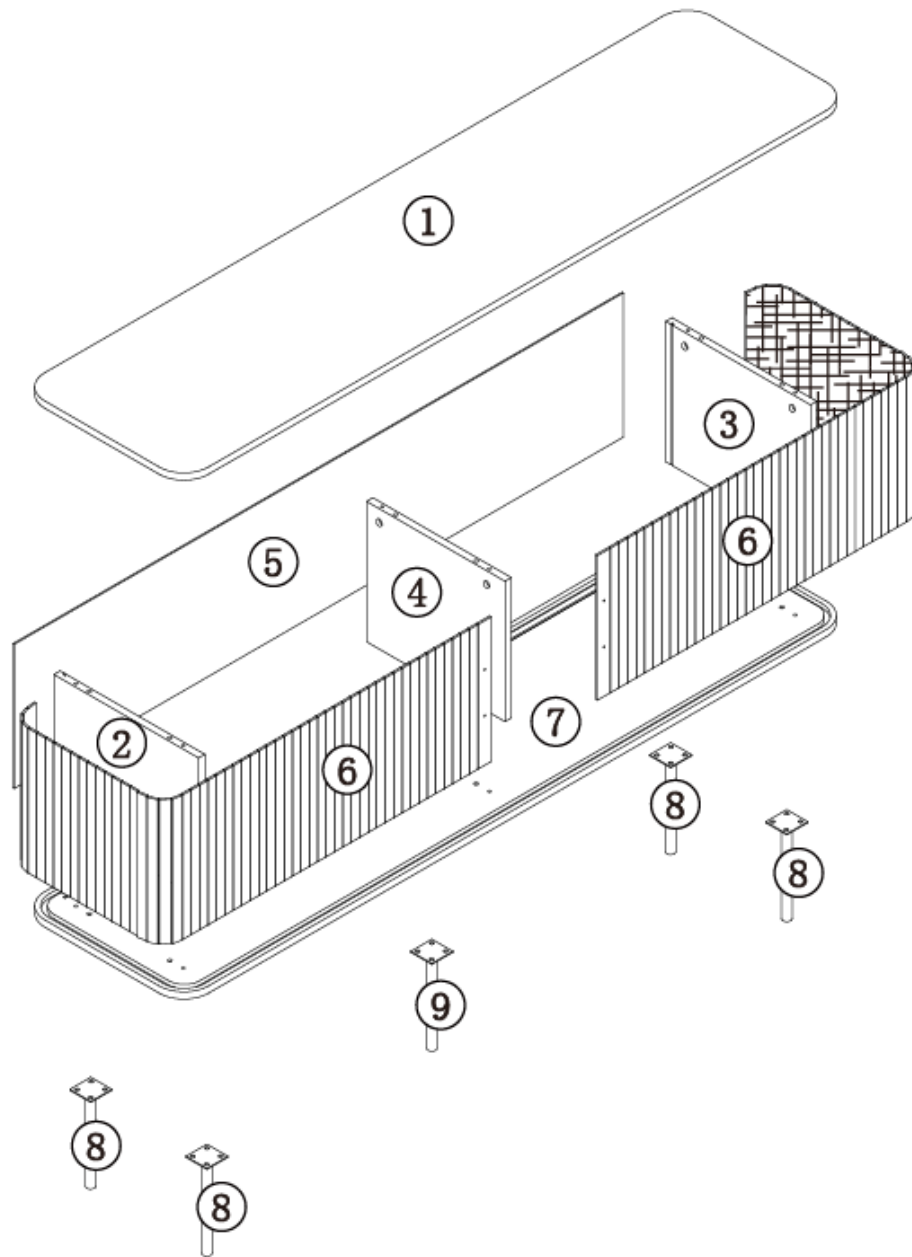
$\textcircled{A} \times 6 + 1$	$\textcircled{B} \times 6 + 1$	$\textcircled{C} \times 12 + 2$	$\textcircled{D} \times 12 + 2$	$\textcircled{E} \times 6 + 1$
 M7×39		 M8×30	 M3×16	 M5×40
$\textcircled{F} \times 2$	$\textcircled{G} \times 20 + 2$	$\textcircled{H} \times 1$	$\textcircled{I} \times 1$	
 M4×10	 M6×12			

Instruction Manual

Please save this manual for future reference.

Product Name:	TV Stand with Sliding Tambour Doors and Rounded Corners
----------------------	---------------------------------------------------------

Panels –



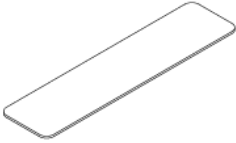
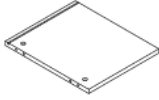
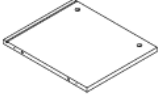
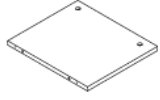
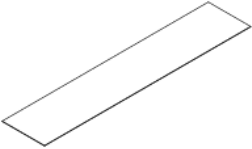
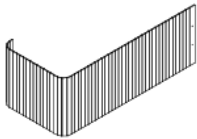



Tools required for assembly: Philips screwdriver and flathead screwdriver (if using power tools, use with care).

Instruction Manual

Please save this manual for future reference.

Product Name:	TV Stand with Sliding Tambour Doors and Rounded Corners
----------------------	---------------------------------------------------------

Panels -

① × 1	② × 1	③ × 1	④ × 1	⑤ × 1
				
⑥ × 2	⑦ × 1	⑧ × 4	⑨ × 1	
				

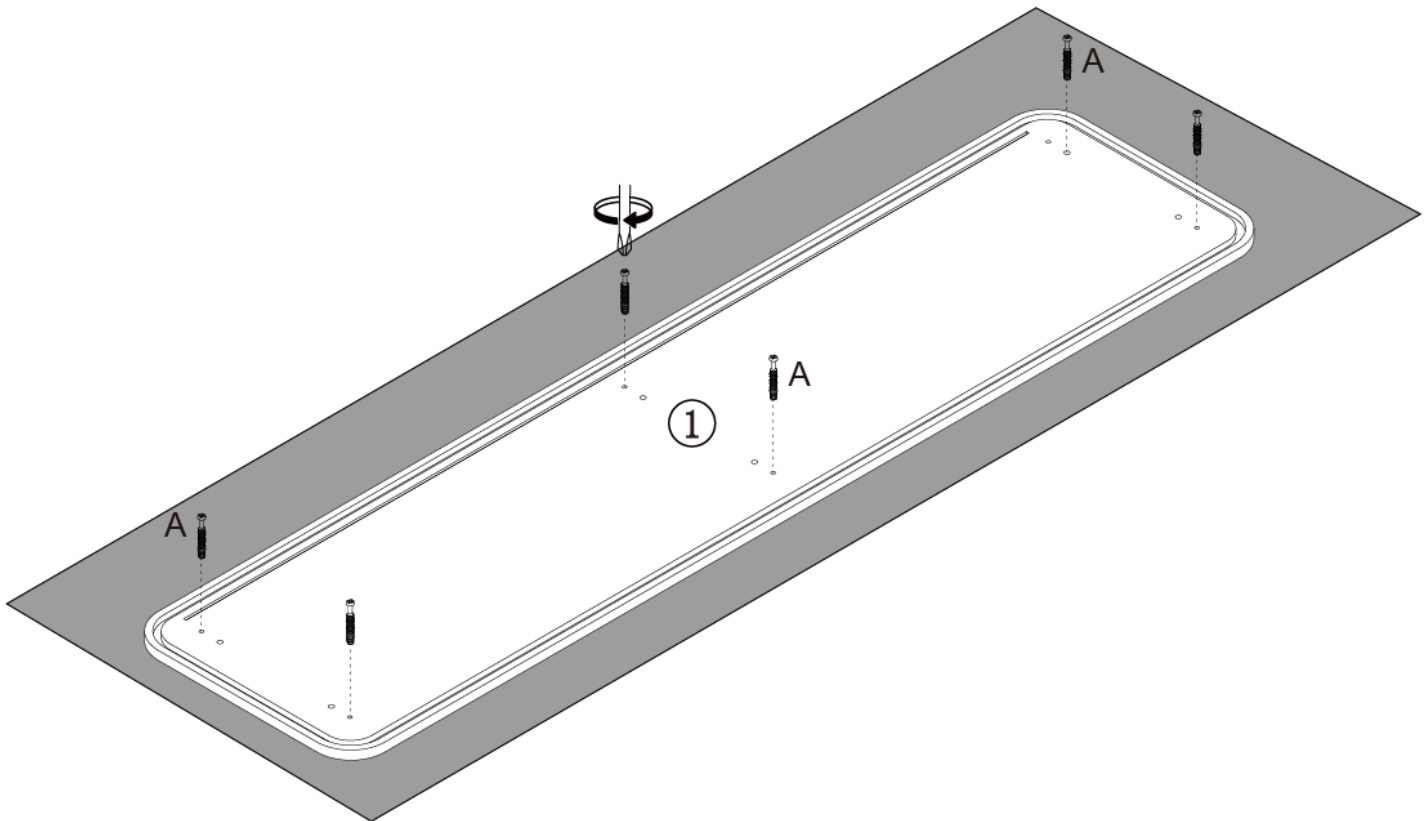
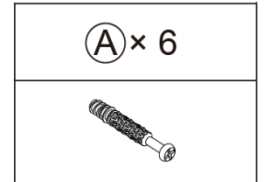
Instruction Manual

Please save this manual for future reference.

Product Name:	TV Stand with Sliding Tambour Doors and Rounded Corners
----------------------	---------------------------------------------------------

ASSEMBLY INSTRUCTIONS:

Step 1: Install and tighten hardware A until the shoulder is flush with panels 1



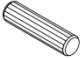
Warning: To avoid scratch, make sure to put the panel on clean and soft surface.

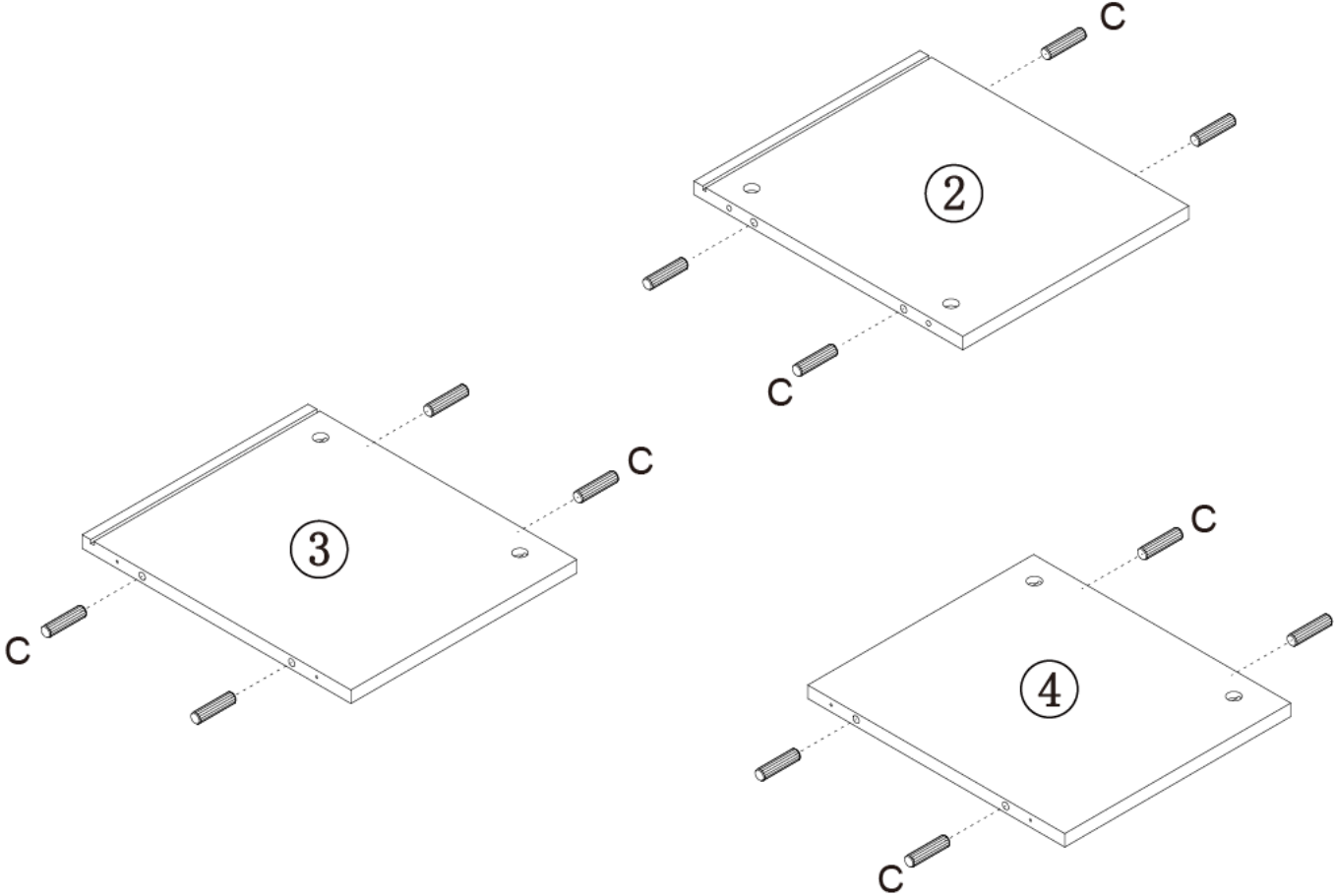
Step 2: Install hardware C into panels 2, 3, and 4

Instruction Manual

Please save this manual for future reference.

Product Name:	TV Stand with Sliding Tambour Doors and Rounded Corners
----------------------	---------------------------------------------------------

Ⓒ × 12





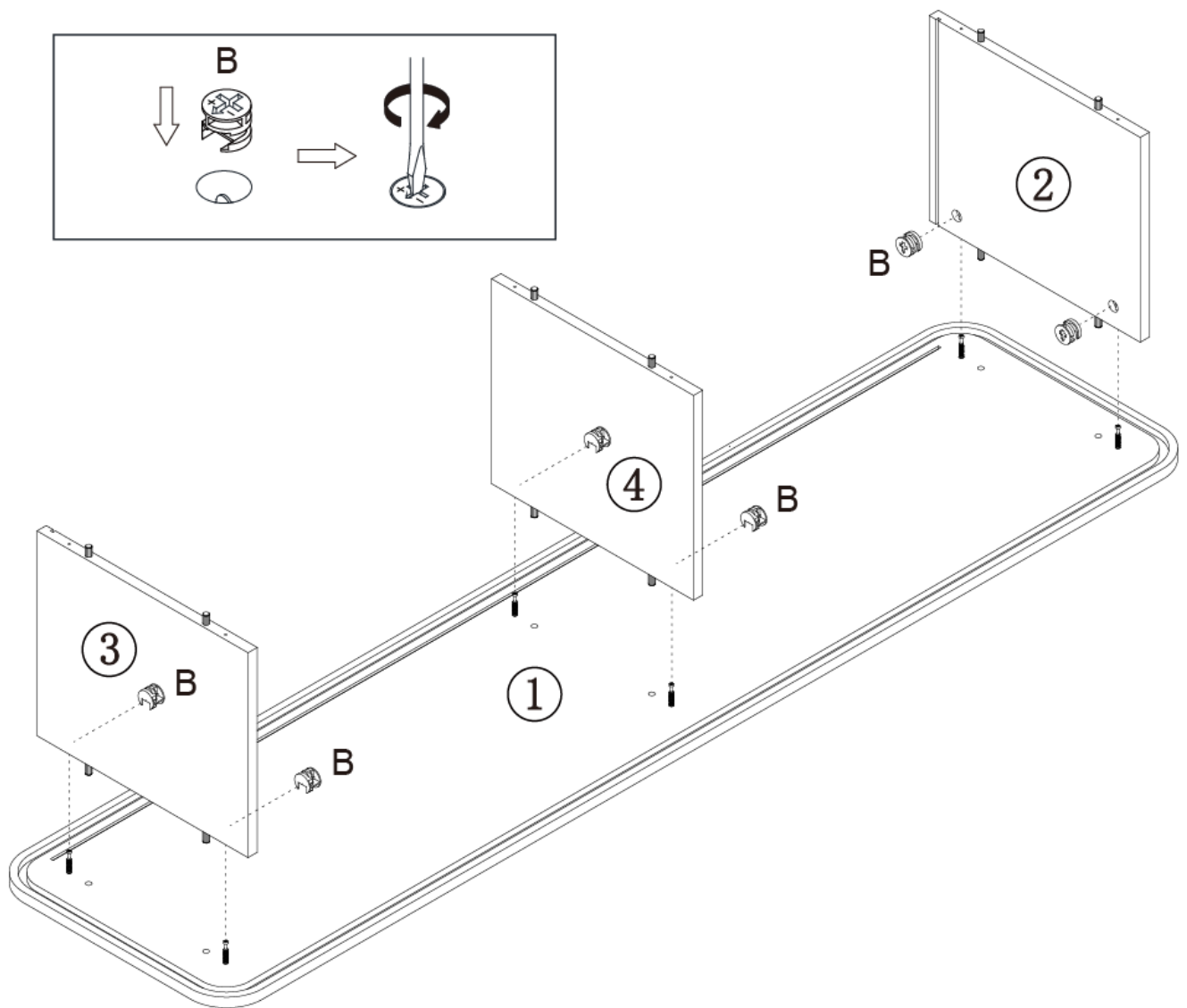
Instruction Manual

Please save this manual for future reference.

Product Name:	TV Stand with Sliding Tambour Doors and Rounded Corners
----------------------	---------------------------------------------------------

Step 3: Connect panel 2, 3, and 4 to panels 1 using hardware B.

(B) × 6


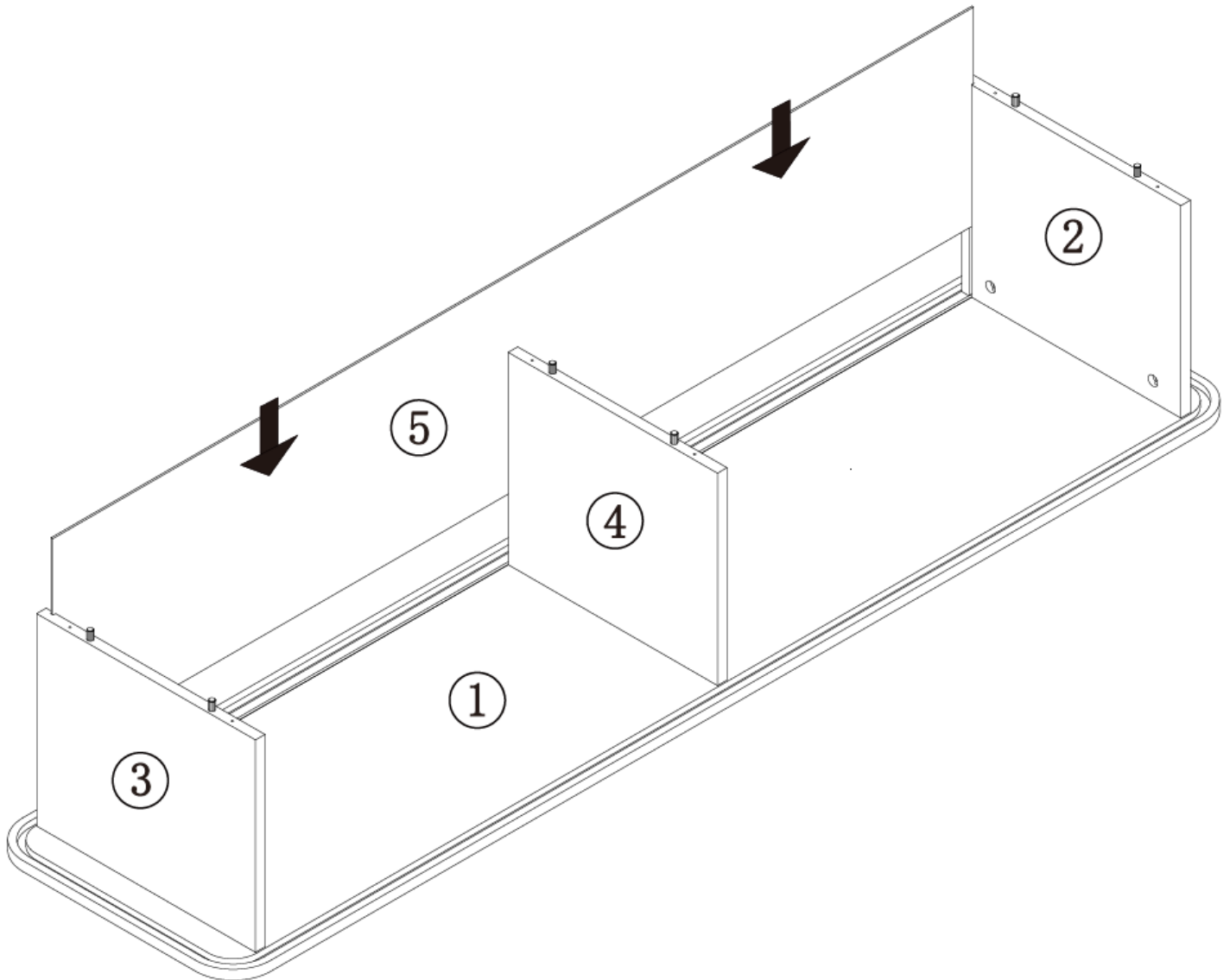


Instruction Manual

Please save this manual for future reference.

Product Name:	TV Stand with Sliding Tambour Doors and Rounded Corners
----------------------	---------------------------------------------------------

Step 4: slide the back panel 5 into the grooves of panels 2 and 3

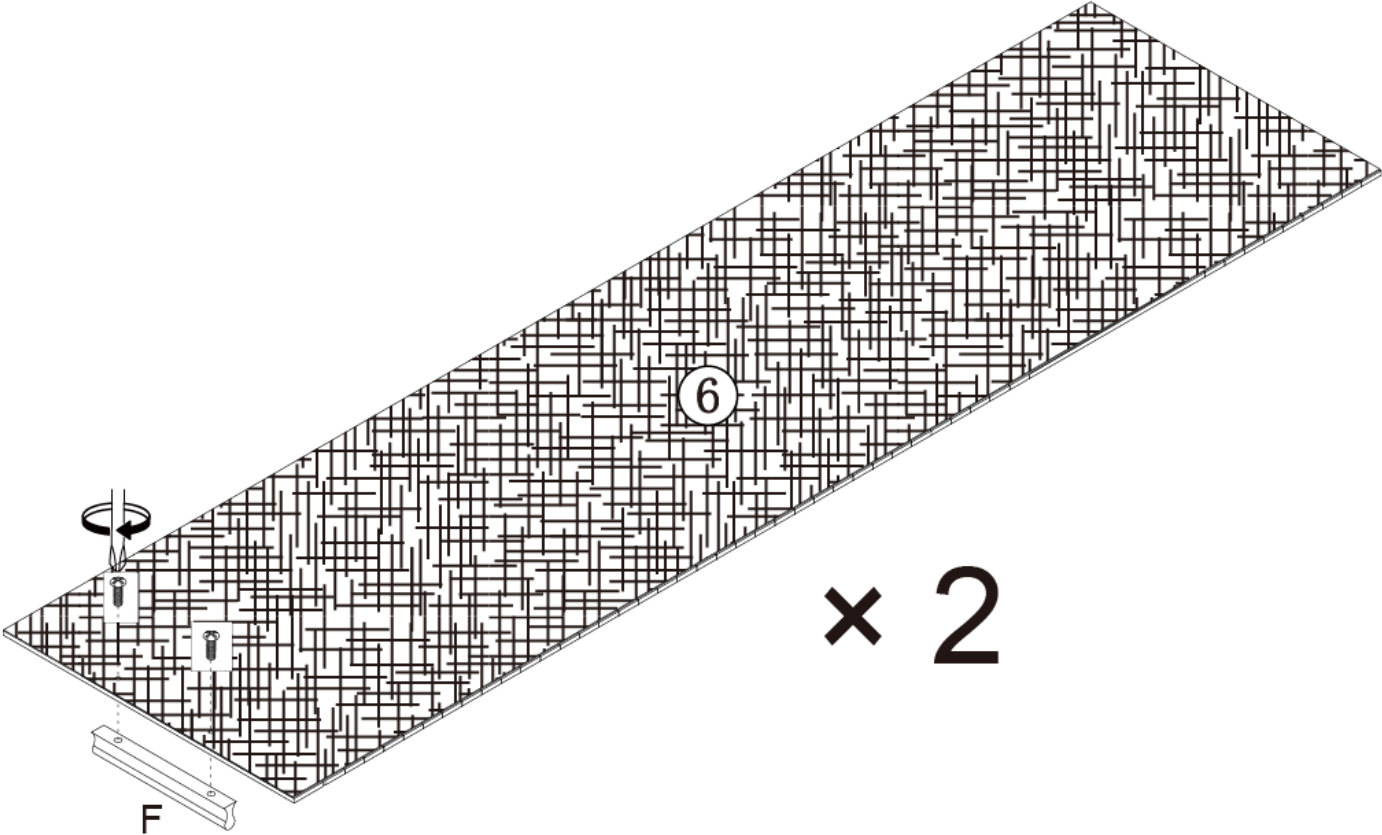
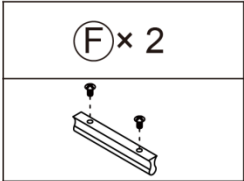


Instruction Manual

Please save this manual for future reference.

Product Name:	TV Stand with Sliding Tambour Doors and Rounded Corners
----------------------	---------------------------------------------------------

Step 5: Install hardware F to panel 6 using hardware

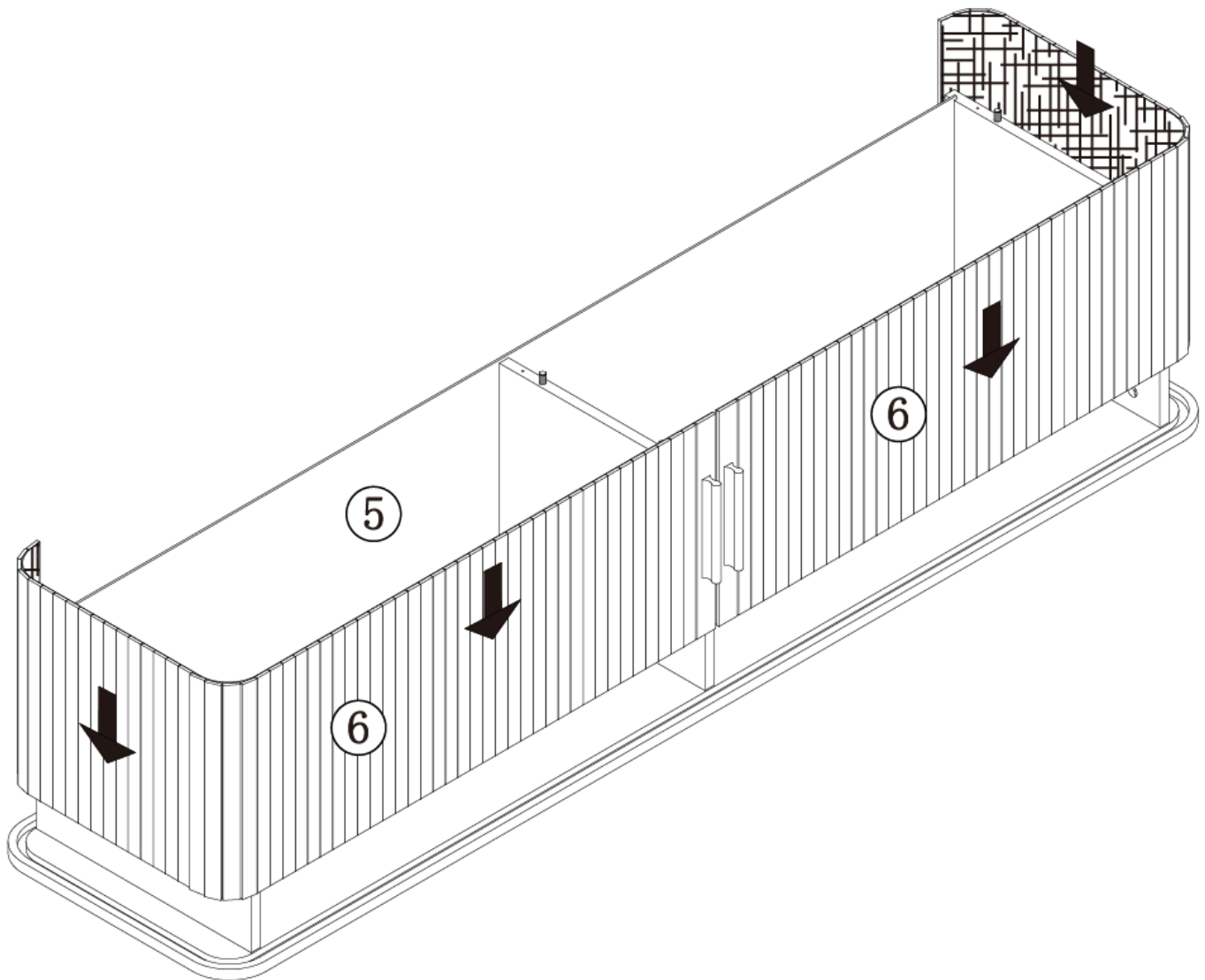


Instruction Manual

Please save this manual for future reference.

Product Name:	TV Stand with Sliding Tambour Doors and Rounded Corners
----------------------	---------------------------------------------------------

Step 6: Put panel 6 into the grooves on panel 1.

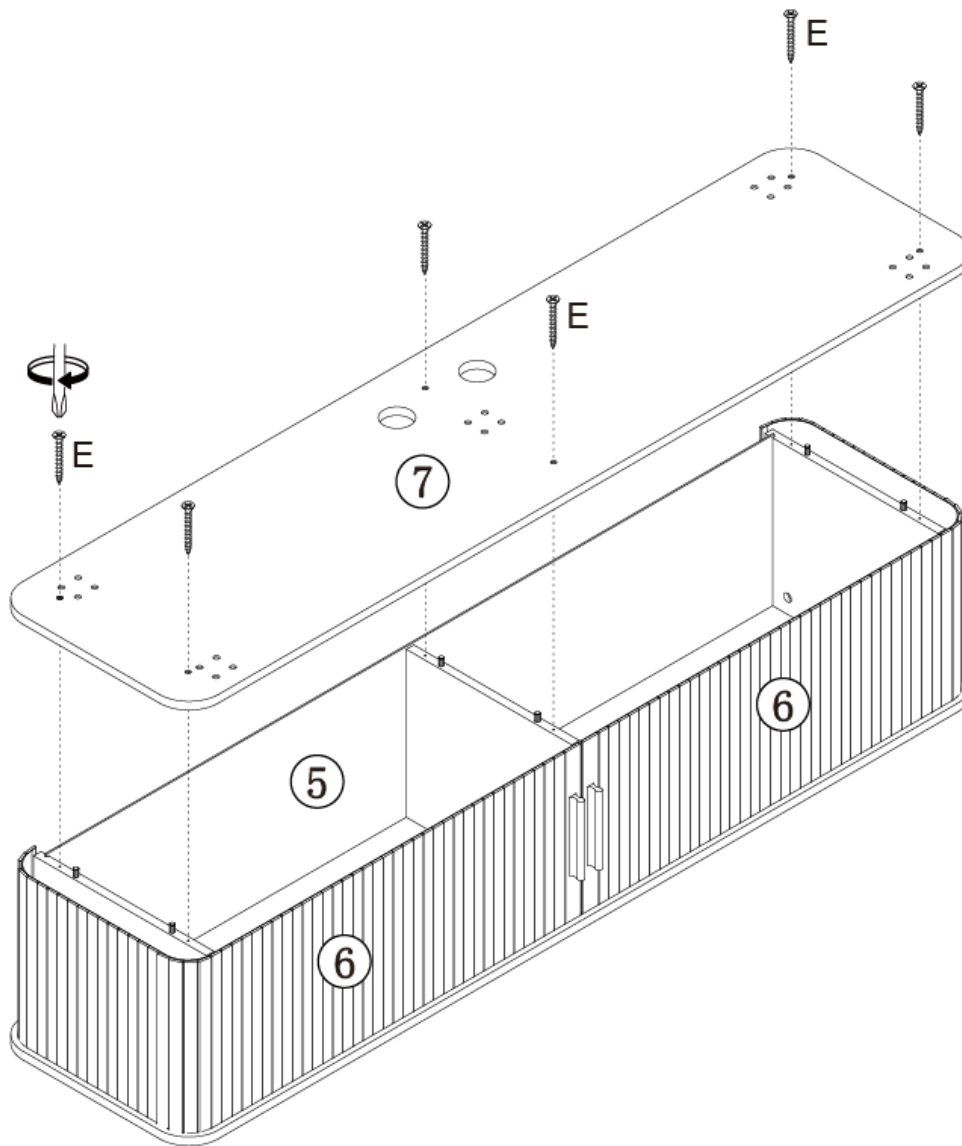
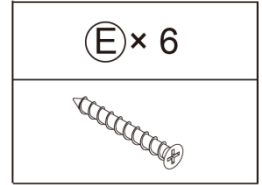


Instruction Manual

Please save this manual for future reference.

Product Name:	TV Stand with Sliding Tambour Doors and Rounded Corners
----------------------	---------------------------------------------------------

Step 7: Connect panel 7 to the assembled section (panels 1, 2, 3, 4, 5 and 6) using hardware E.


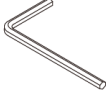



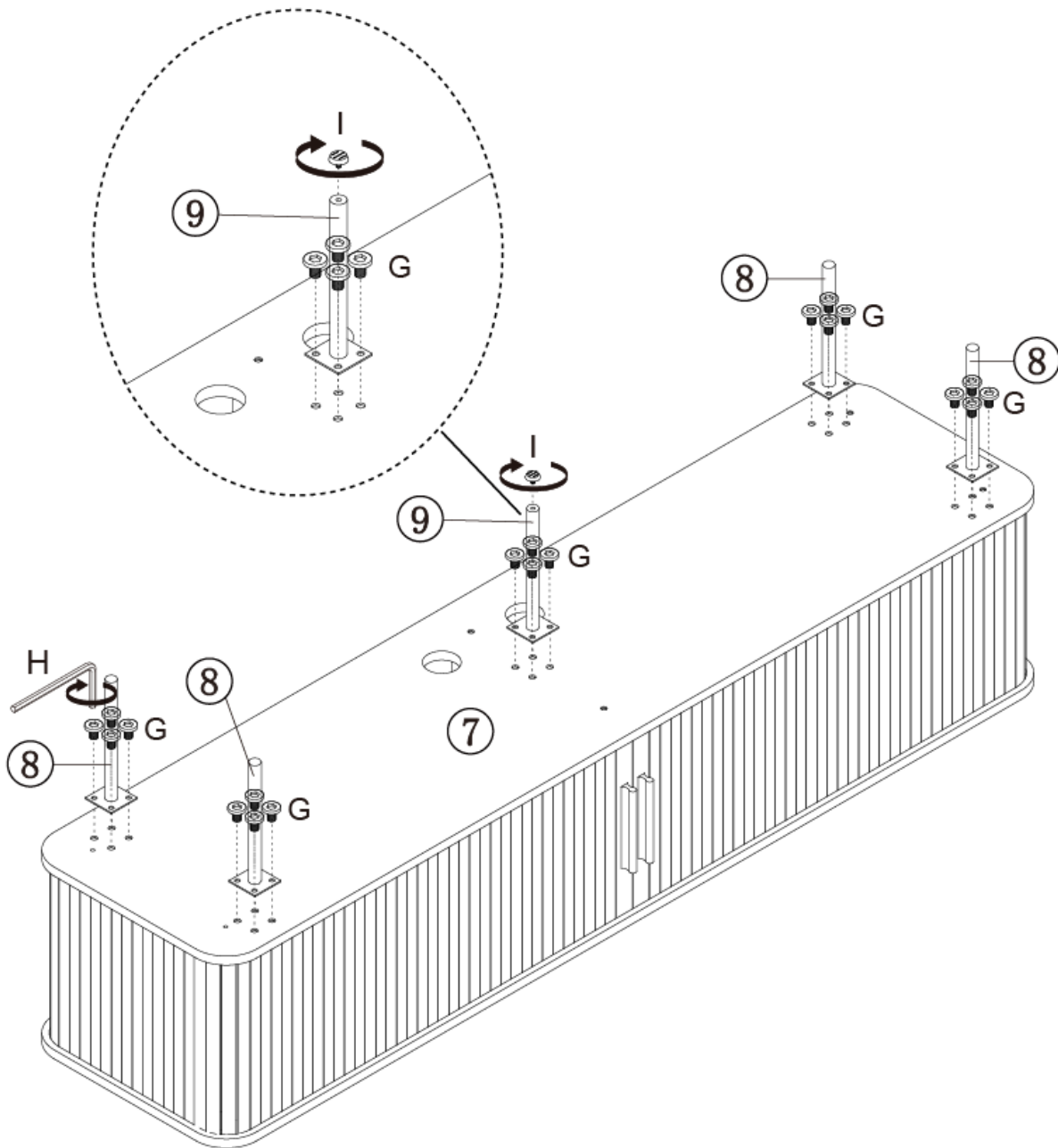
Instruction Manual

Please save this manual for future reference.

Product Name:	TV Stand with Sliding Tambour Doors and Rounded Corners
----------------------	---------------------------------------------------------

Step 8: Install the legs 8 and 9 to panel 7 by screwing it into hardware G. Add hardware G to Leg 9 (screw it on until secure)

$\textcircled{G} \times 20$	$\textcircled{H} \times 1$	$\textcircled{I} \times 1$
		



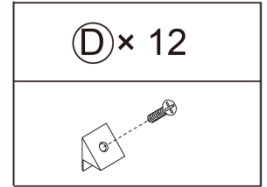
Instruction Manual

Please save this manual for future reference.

Product Name:	TV Stand with Sliding Tambour Doors and Rounded Corners
----------------------	---------------------------------------------------------

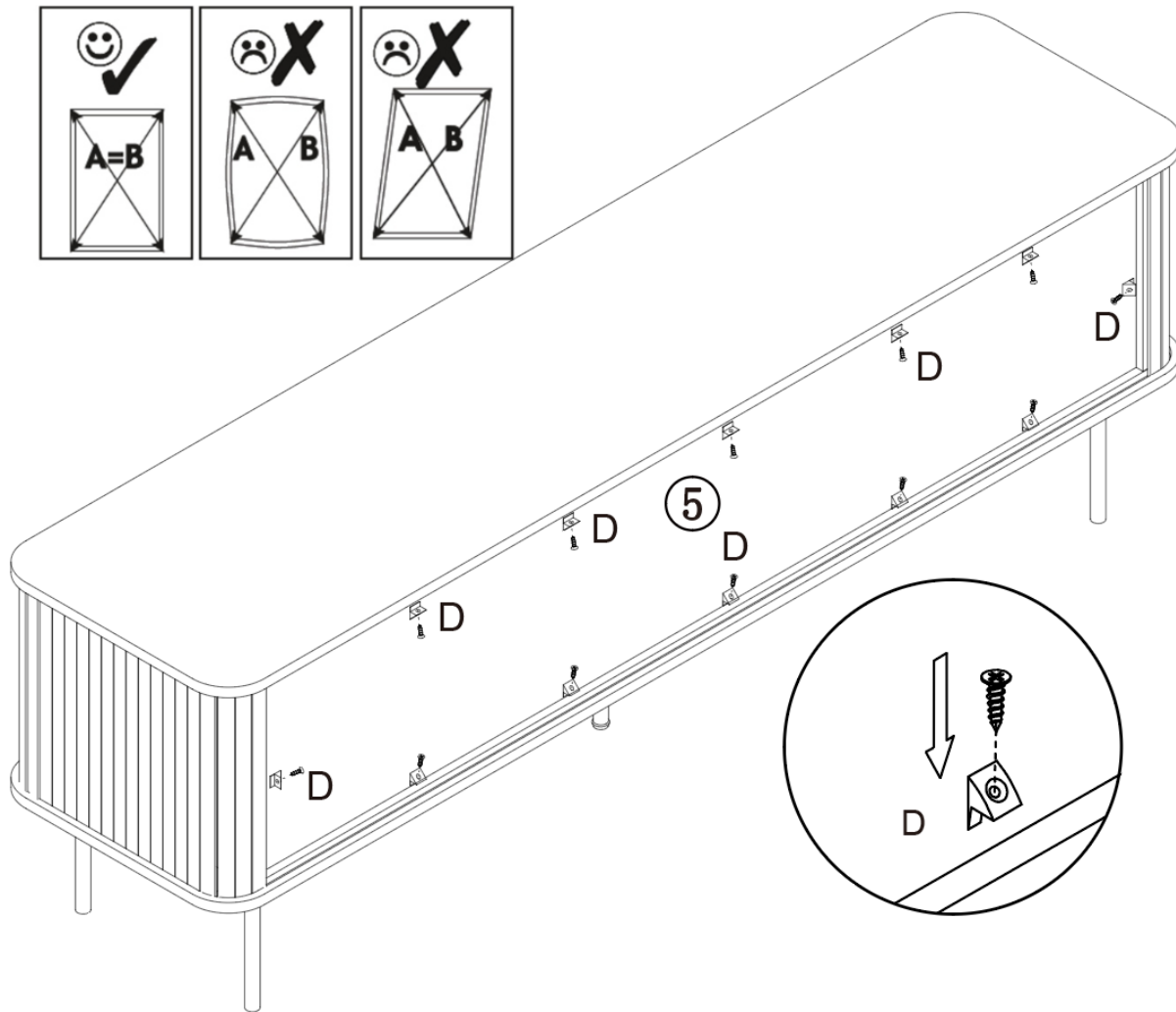
Step 9: Carefully flip the cabinet right side up.

lock hardware D on the back of panel 5 in 12 places with the screw in hardware D.



ATTENTION PLEASE

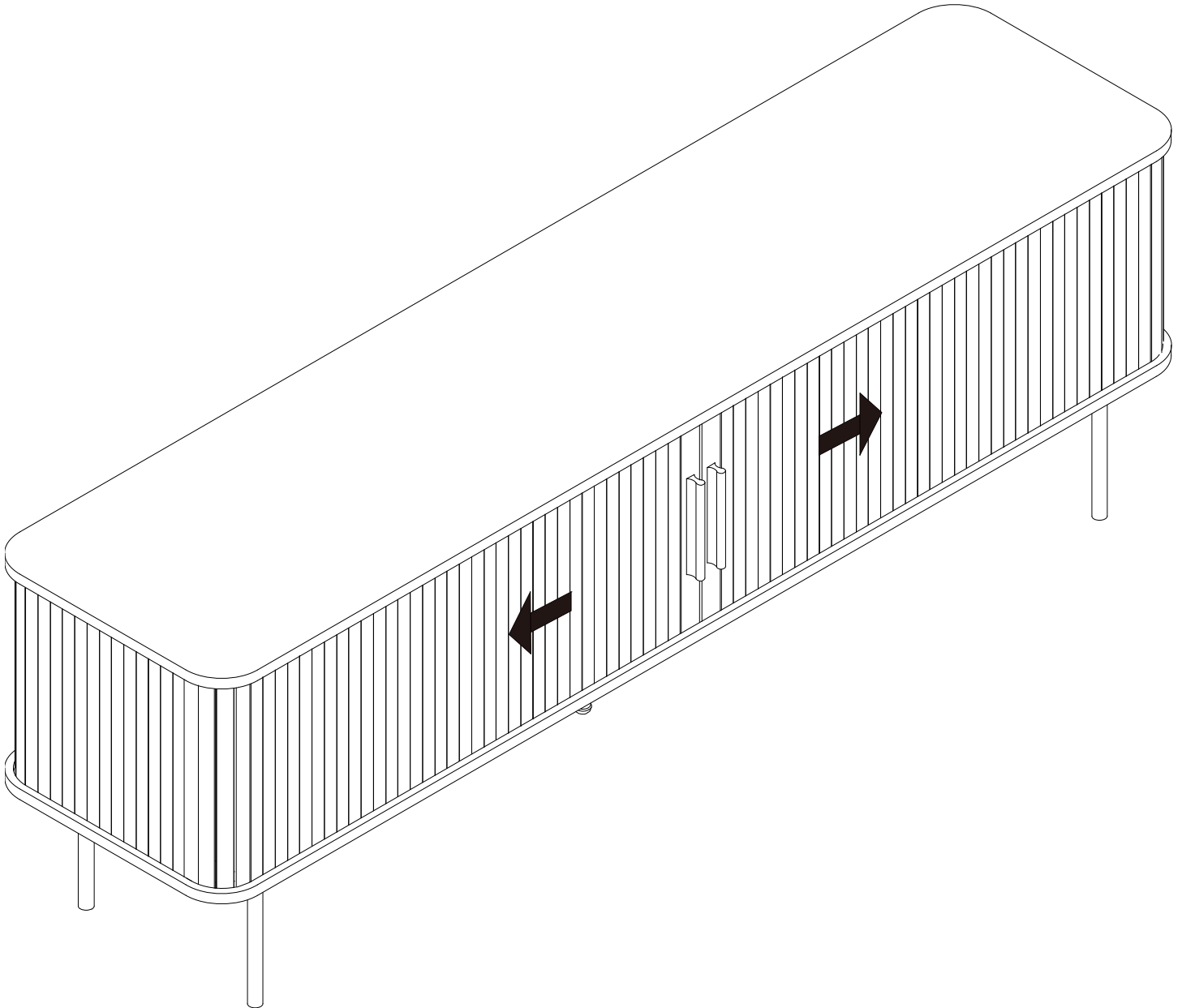
Please make sure the left and right doors are the same level and the backboard is right Angle before installing hardware D, MUST install hardware D to strengthen product stability



Instruction Manual

Please save this manual for future reference.

Product Name:	TV Stand with Sliding Tambour Doors and Rounded Corners
----------------------	---------------------------------------------------------



Warning: DO NOT sit or stand on the Cabinet as this may damage the product and cause serious bodily injury.