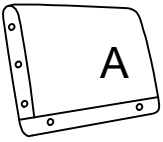

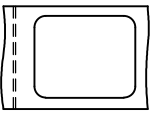
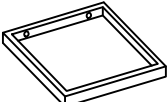



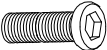



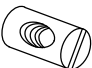



# Assembly Instructions

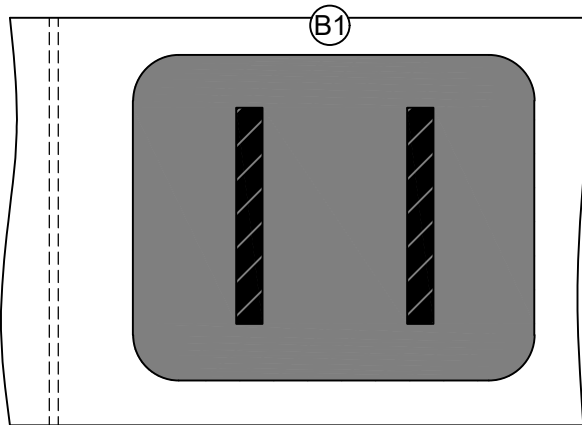
Your chair comes packaged in one box. Carefully remove all of components from the packaging and set aside for assembly.

**CAUTION:**  
DO NOT use any sharp objects to open plastic wrapped components as damage to product or components may result.

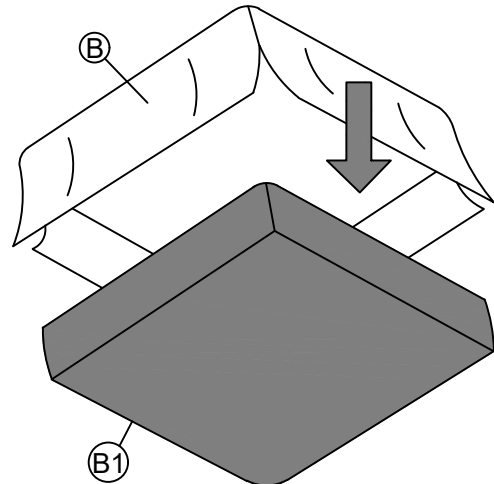
## Package Contents

 A X1	 B X1	 B1 X1	 B2 X1	 C X2	 C1 X2	 D X1
 X12	 X2	 X4	 X1	 X5	 X1	
E: 5/16*6CM	F: 5/16*19MM	G: Ø25*3MM	H: M5*6CM	I: 5/16*1.5CM	K: Pillow	

**Step 1:** Please remove the compressed seat(B1) from the PE bag!

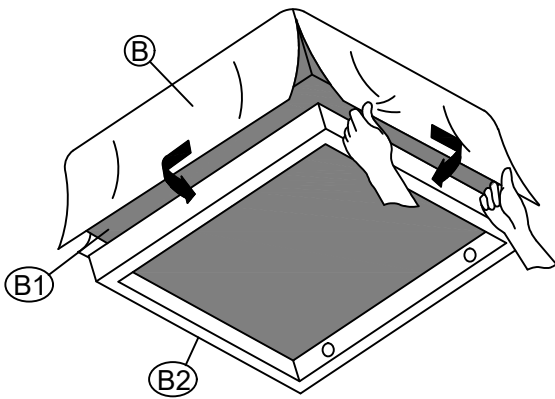


**Step 2:** Install the seat cover(B) on seat(B1)

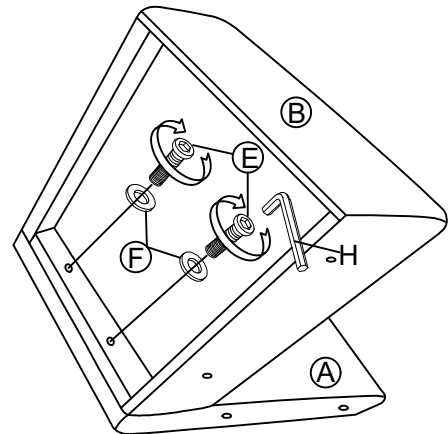


Note: When installing screws, make sure to correctly align the holes. During initial assembly, tighten the screws to about 60% of their full tightness. After all screws have been placed into their respective holes, then fully tighten all screws.

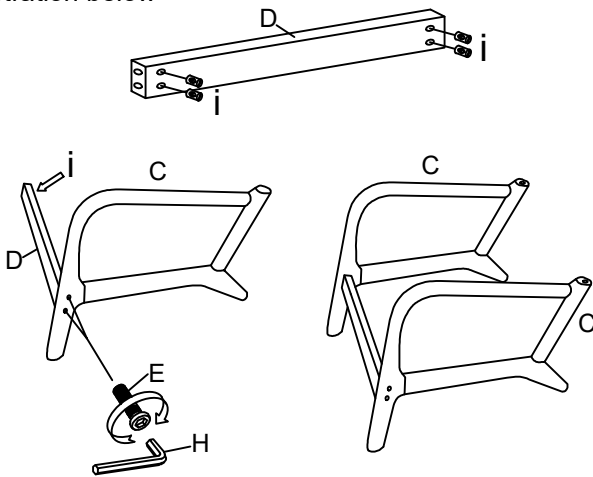
**Step 3:** Put the seat(B)(B1) up wooden frame(B2), and tape it with velcro.



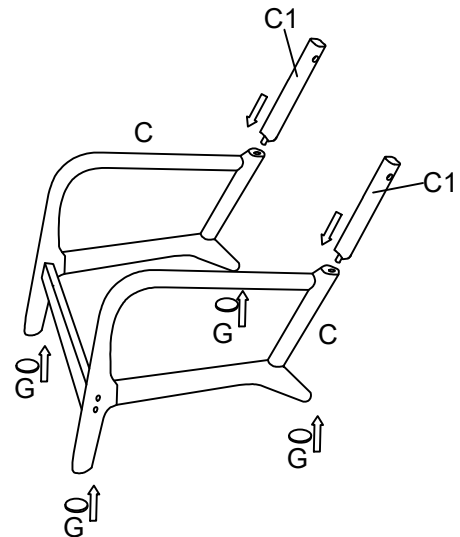
**Step 4:** Turn the chair upside down and lay on protective carpet. Using allen wrench(H) to loosely tighten bolts(E), flat washers(F) as illustration below:



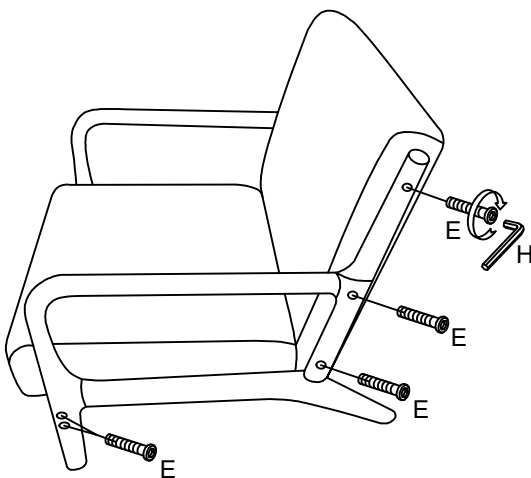
**Step 5:** Install the horizontal canopy(i) in the hole drilled in the wooden bar(D). Insert wooden bar to the legs (C). Using allen wrench(H) to loosely tighten bolts(E) as illustration below



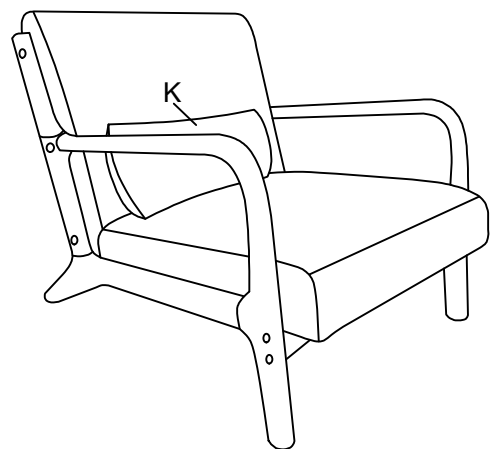
**Step 6:** assembly wooden bar(C1) to the leg(C). Glue the foot pads(G) to the bottom of the chair legs



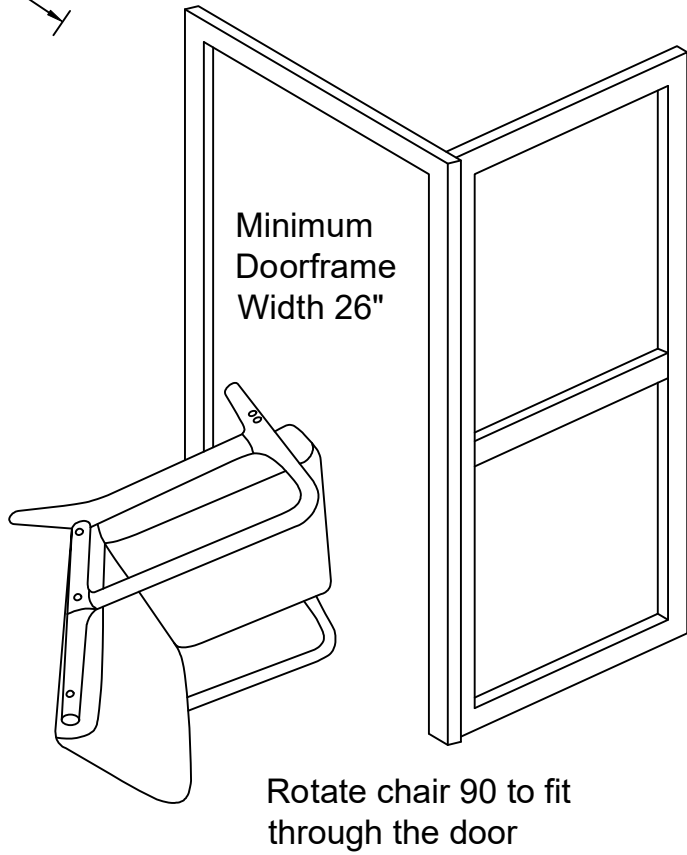
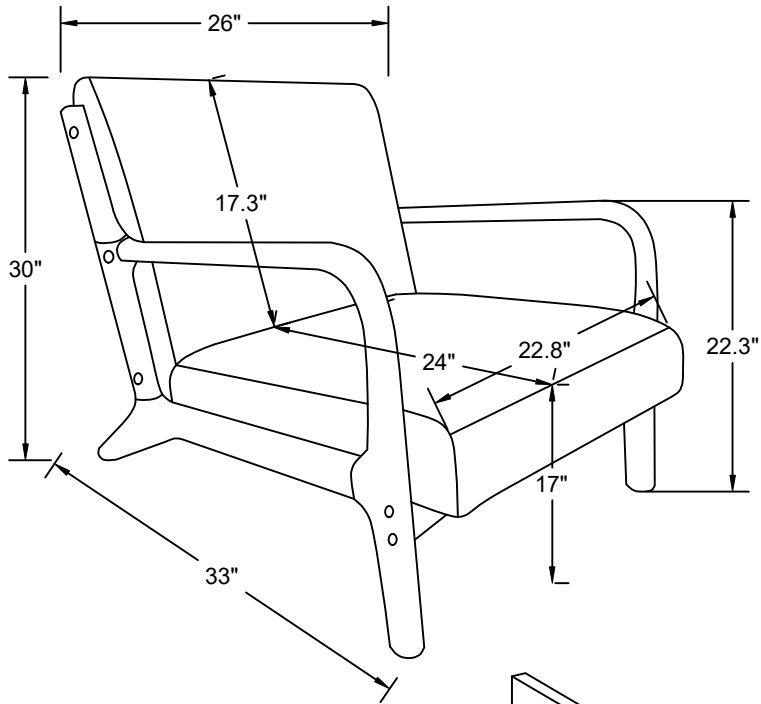
**Step 7:** Insert chair frame to the leg frame and using allen wrench(H) to loosely tighten bolts(E) as illustration below



**Step 8:** Put Pillow(K) on the chair. Assembly is completed



Note: When installing screws, make sure to correctly align the holes. During initial assembly, tighten the screws to about 60% of their full tightness. After all screws have been placed into their respective holes, then fully tighten all screws.



## Warnings

1. Please check if the components of the chair are all included and can be used normally.
2. Assemble all components according to the instruction correctly before you connect the chair to the power.
3. Please DO NOT sit on the armrests or footrest to eliminate the risk of tipping over.
4. If the chair is damaged or doesn't match the website description, please send clear pictures of the product and label of the carton to our service team for further help.
5. If the recliner doesn't work, you may try the following measures for self-checking firstly:
  - a) Check if all the cables are connected;
  - b) Check if the light of transformer is on.

If the chair still doesn't work, please feed the information back to our customer service in time and we'll help you solve the matter as soon as possible.

