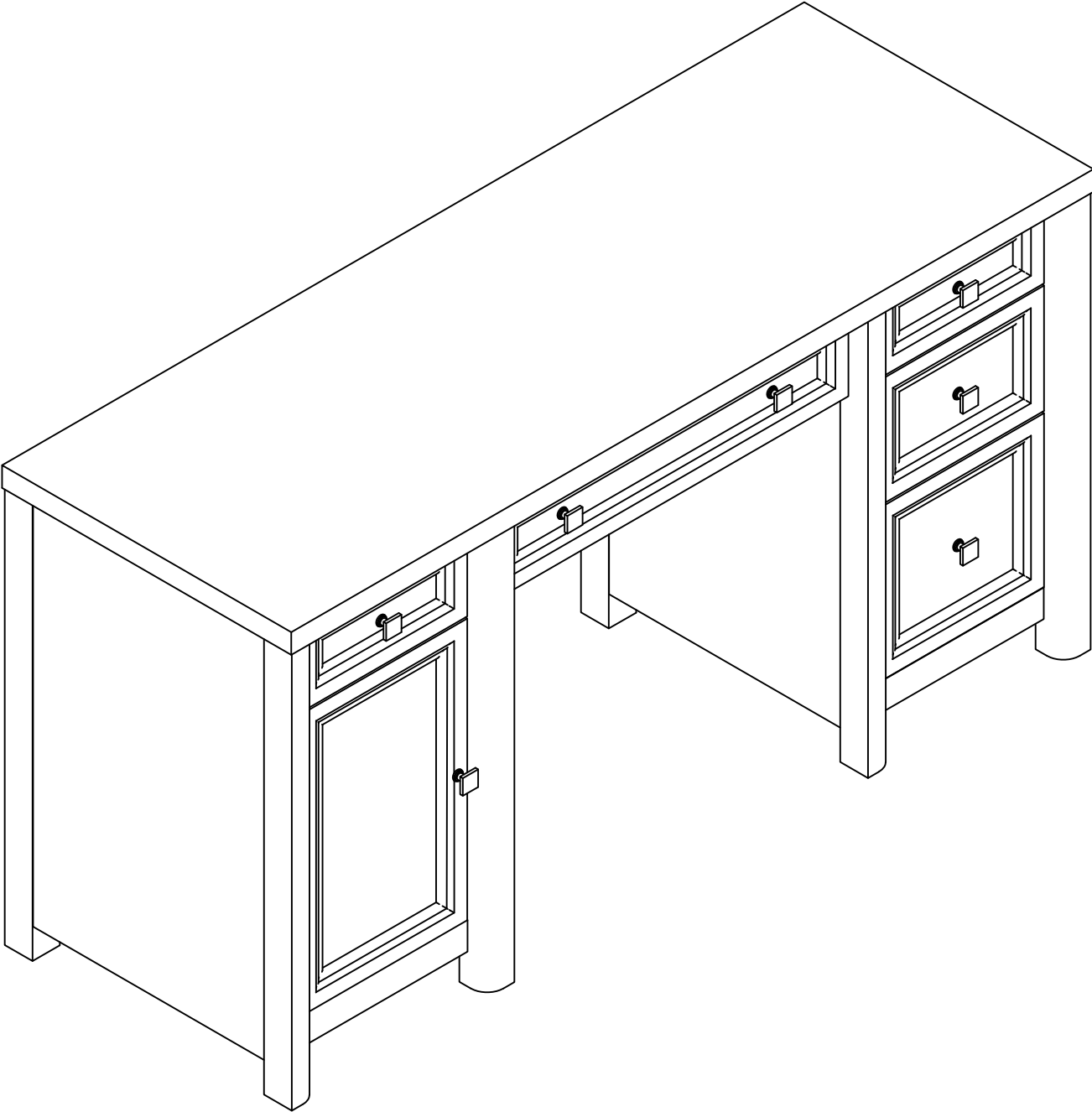
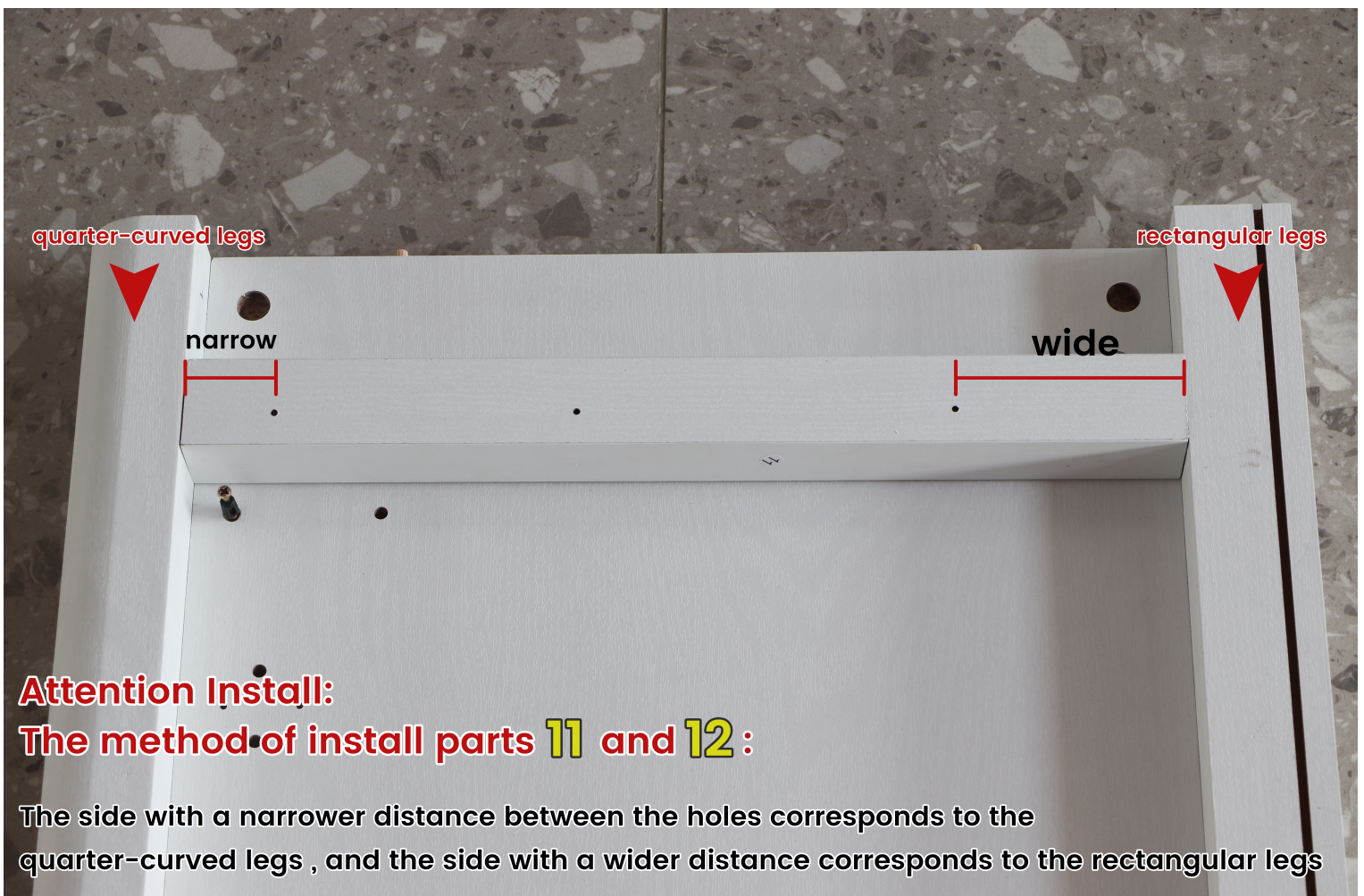


# Installation & Assembly

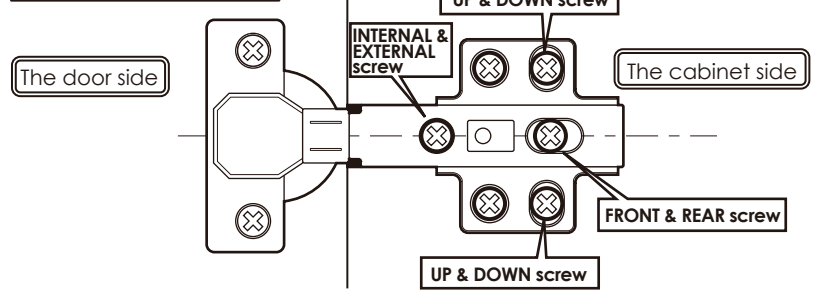




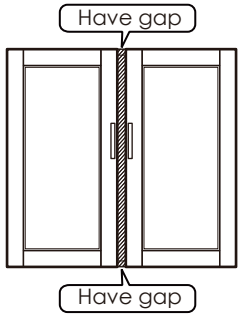
# The ways to adjust the door

- Before adjusting the hinge, please check whether the cabinet is skewed.
- If the skew can not be repaired, please remove the anti-tipping device first, then adjust the cabinet to vertical position.
- Please adjust the hinge with the door open.
- Please operate it with more than 2 people, one person holds the door and the other one adjusts the screw.

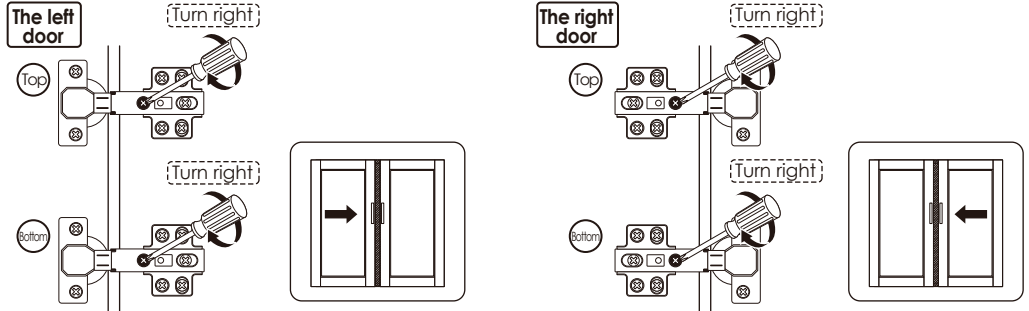
## Components Name



### Obvious gaps between doors or Doors don't look closed



- 1 Turn "internal & external screw" to the right can make the door approach inside. Please adjust the doors little by little.



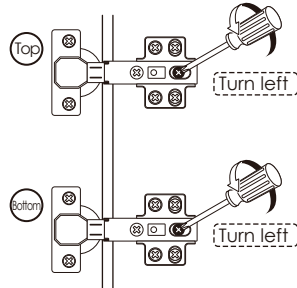
※ If the 2 doors are overlap, please turn the "internal & external screw" to the left.

### When door is crooked



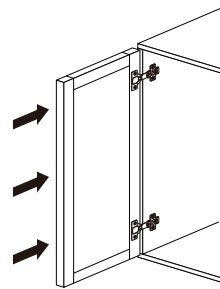
Please take the following steps to adjust first.

- 1 Rotate the "front and rear screws" to the left

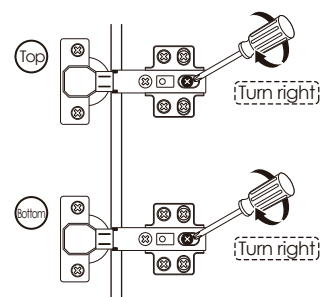


※ After adjusting the "front and rear screw", the door still does not change, please turn the "internal & external screw" to the right slightly.

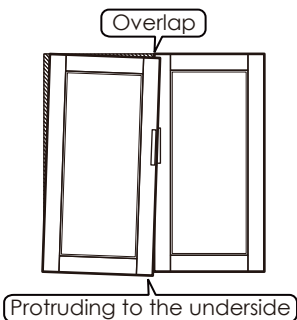
- 2 Push the door to the cabinet



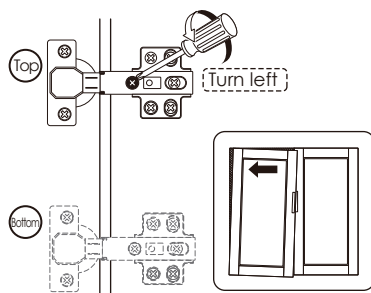
- 3 Rotate the "front and rear screws" to the right



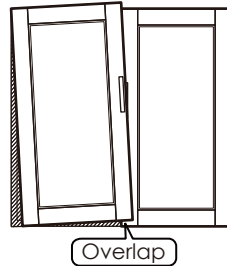
### When door is leaning



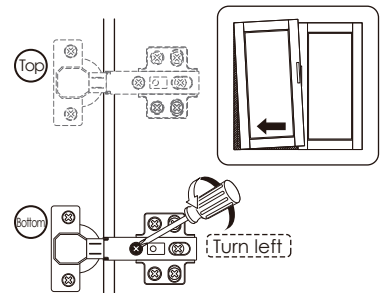
- 1 Turn "internal & external screw" to the left can make the top of the door tilted outward.



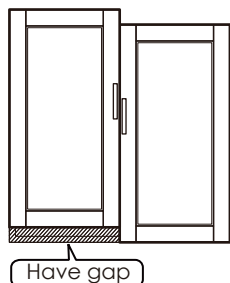
Protruding to the upside



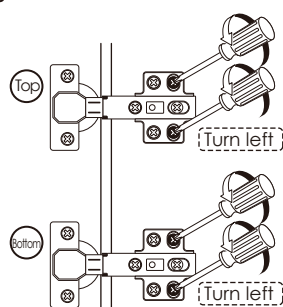
- 1 Turn "internal & external screw" to the left can make the bottom of the door tilted outward.



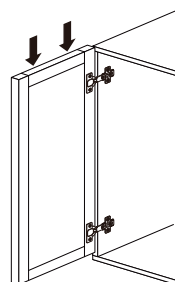
### When the door is higher on top



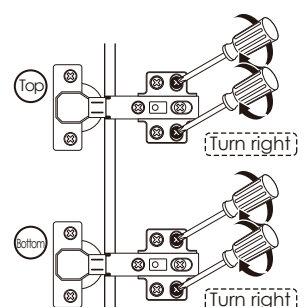
- 1 Turn "up & down screw" to the left



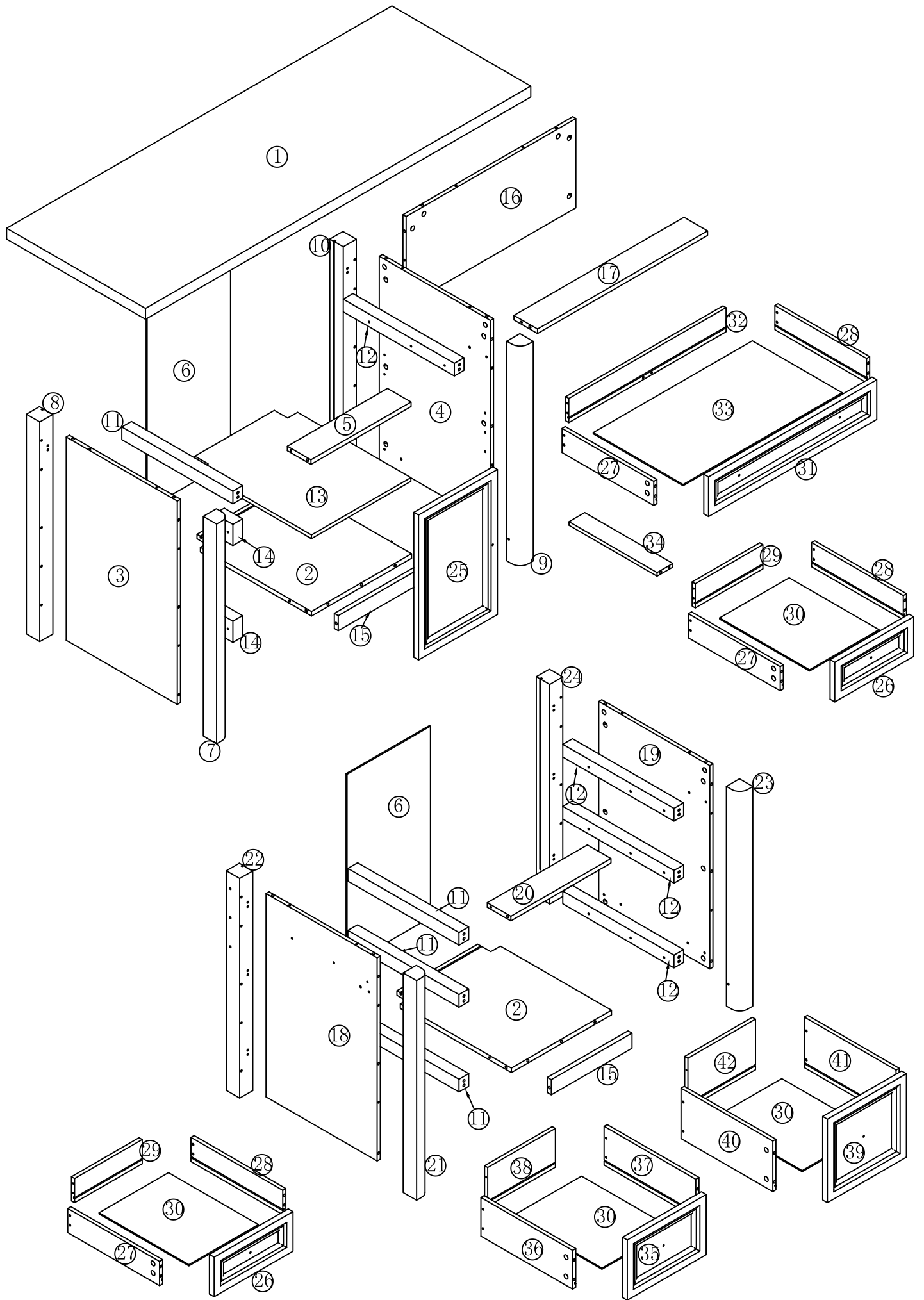
- 2 Lower the door's height so that 2 doors are of the same height.

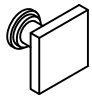

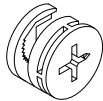
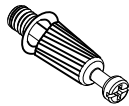
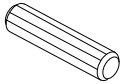
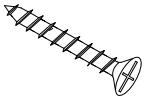
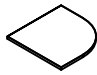
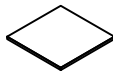

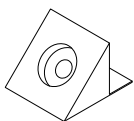



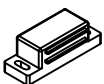

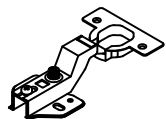

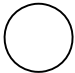


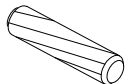
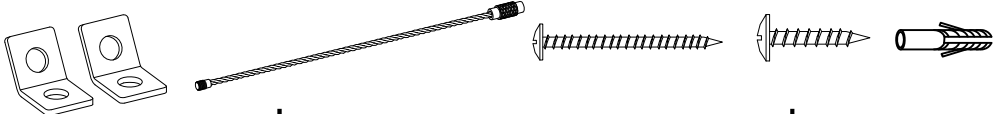
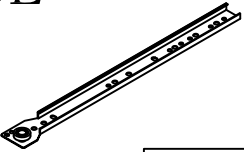
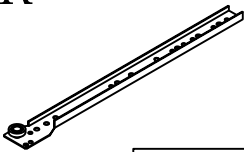
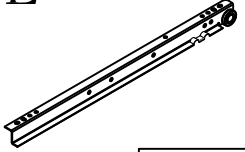
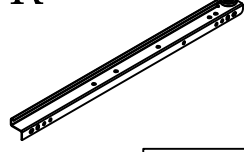


- 3 Turn "up & down screw" to the right

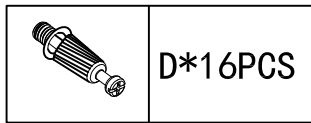
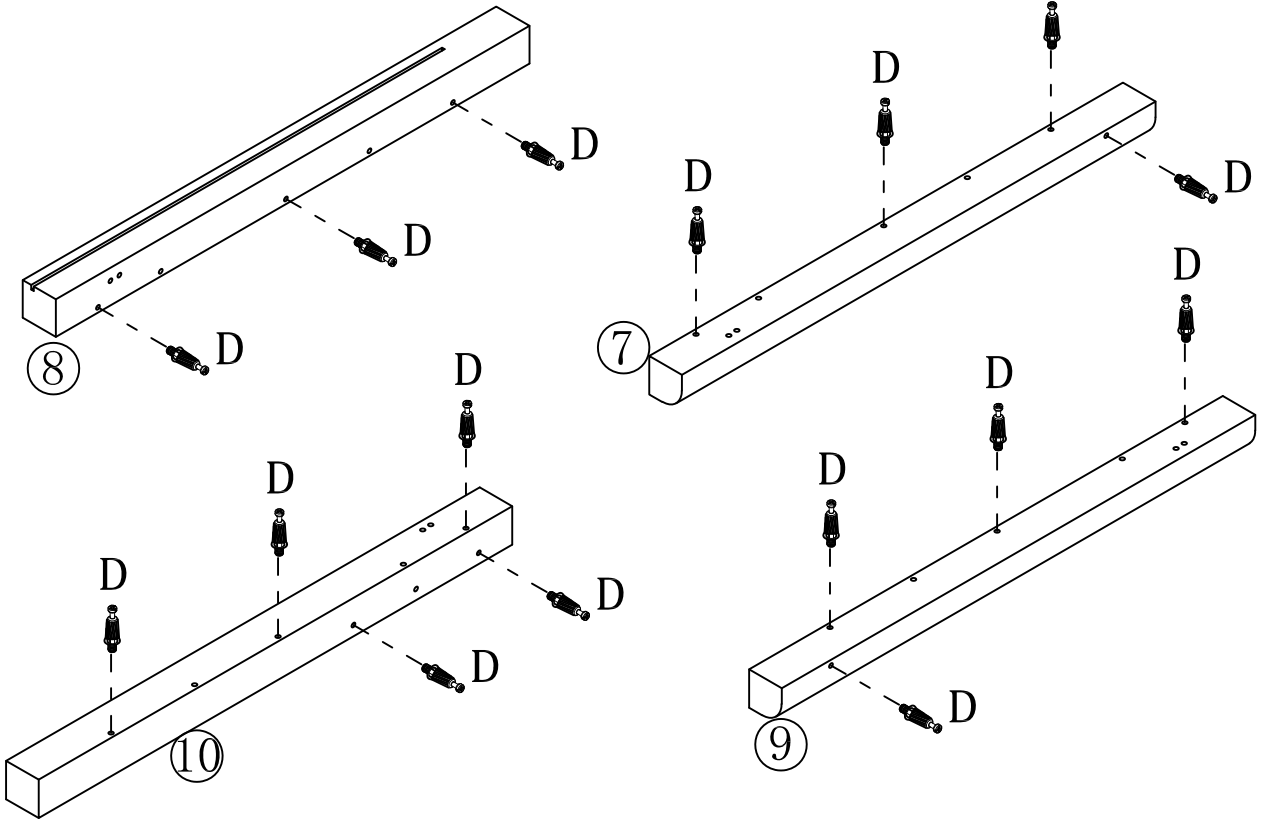


※ If the door is lower on bottom, please lift up the left door slightly on step 2

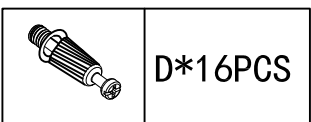
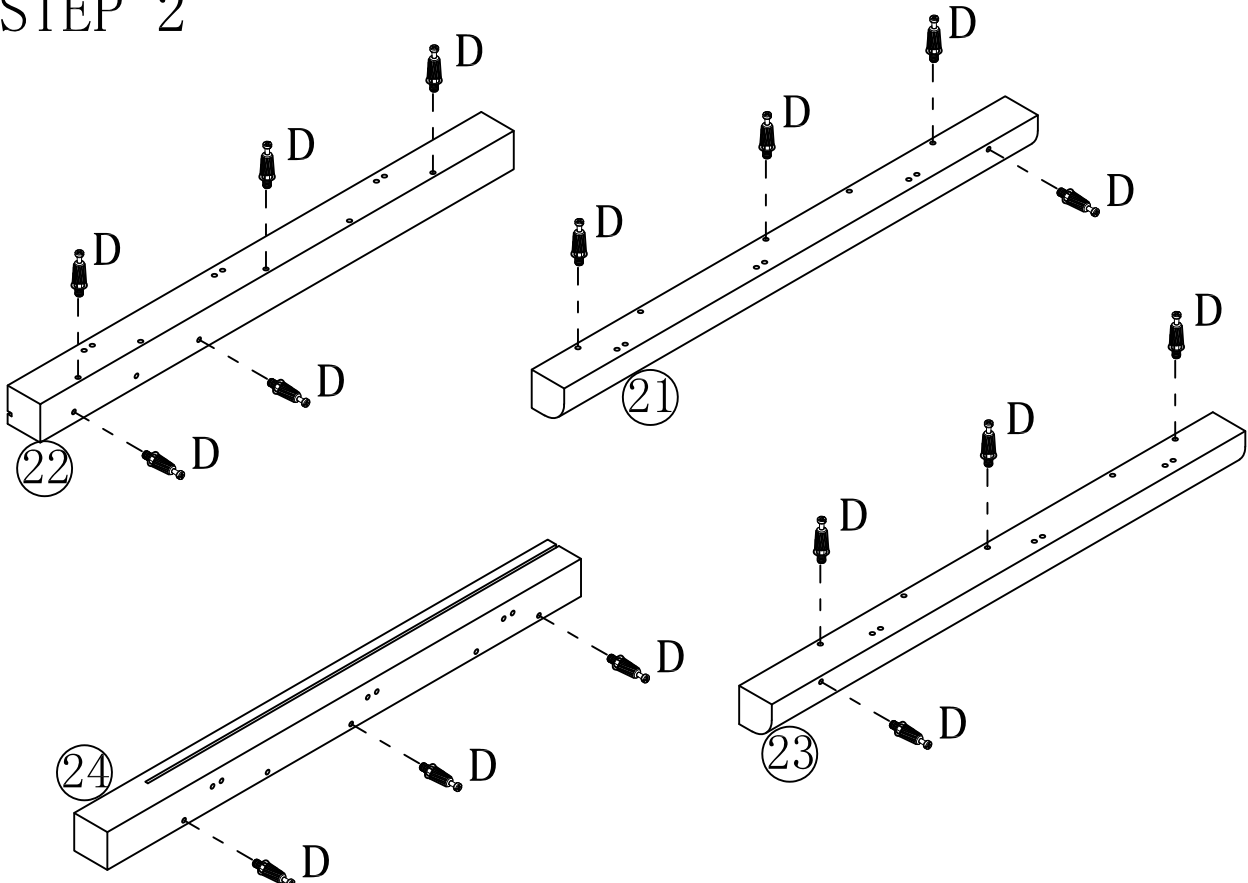


<p>A</p>  <p>7PCS</p>	<p>B</p>  <p><math>\phi 4 \times 10 \text{MM}</math> 6PCS</p>	<p>C</p>  <p>81+2PCS</p>	<p>D</p>  <p>81+2PCS</p>
<p>E</p>  <p><math>\phi 6 \times 30 \text{MM}</math> 50+2PCS</p>	<p>F</p>  <p><math>\phi 4 \times 30 \text{MM}</math> 21+2PCS</p>	<p>G</p>  <p>4PCS</p>	<p>H</p>  <p>4PCS</p>
<p>I</p>  <p><math>\phi 3.5 \times 12 \text{MM}</math> 60+2PCS</p>	<p>J</p>  <p>12+1PCS</p>	<p>K</p>  <p><math>\phi 3 \times 16 \text{MM}</math> 14+1PCS</p>	<p>L</p>  <p><math>\phi 4 \times 25 \text{MM}</math> 1PCS</p>
<p>M</p>  <p><math>\phi 3 \times 12 \text{MM}</math> 1PCS</p>	<p>N</p>  <p>1PCS</p>	<p>O</p>  <p>1PCS</p>	<p>P</p>  <p>2PCS</p>
<p>Q</p>  <p>4PCS</p>	<p>R</p>  <p>81+2PCS</p>	<p>S</p>  <p><math>\phi 4 \times 14 \text{MM}</math> 12+1PCS</p>	<p>T</p>  <p><math>\phi 4 \times 40 \text{MM}</math> 4+1PCS</p>
<p>U</p>  <p>32+2PCS</p>	<p>V</p>  <p>a b c d e</p> <p>2PCS</p>		
<p>CL</p>  <p>CLx5PCS</p>	<p>CR</p>  <p>CRx5PCS</p>	<p>DL</p>  <p>DLx5PCS</p>	<p>DR</p>  <p>DRx5PCS</p>

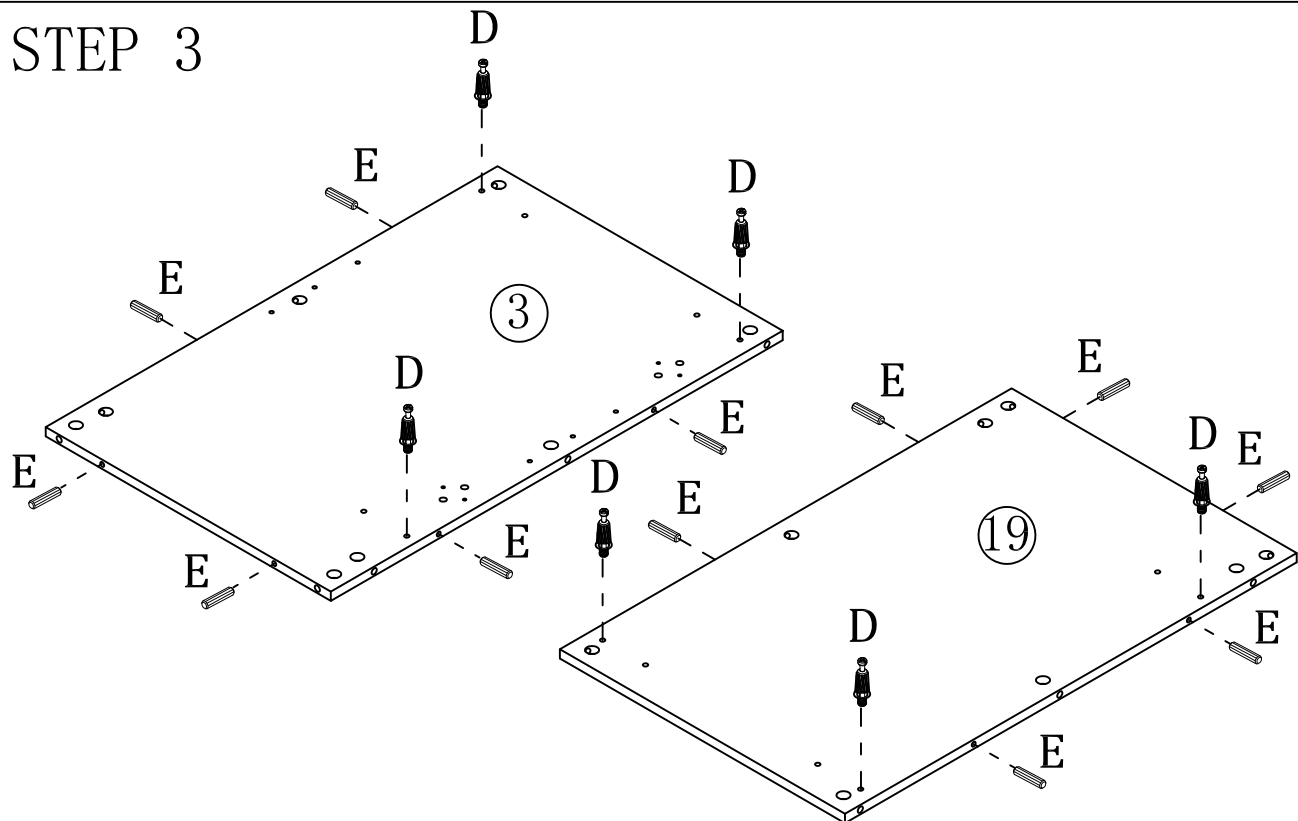
# STEP 1


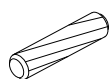


# STEP 2

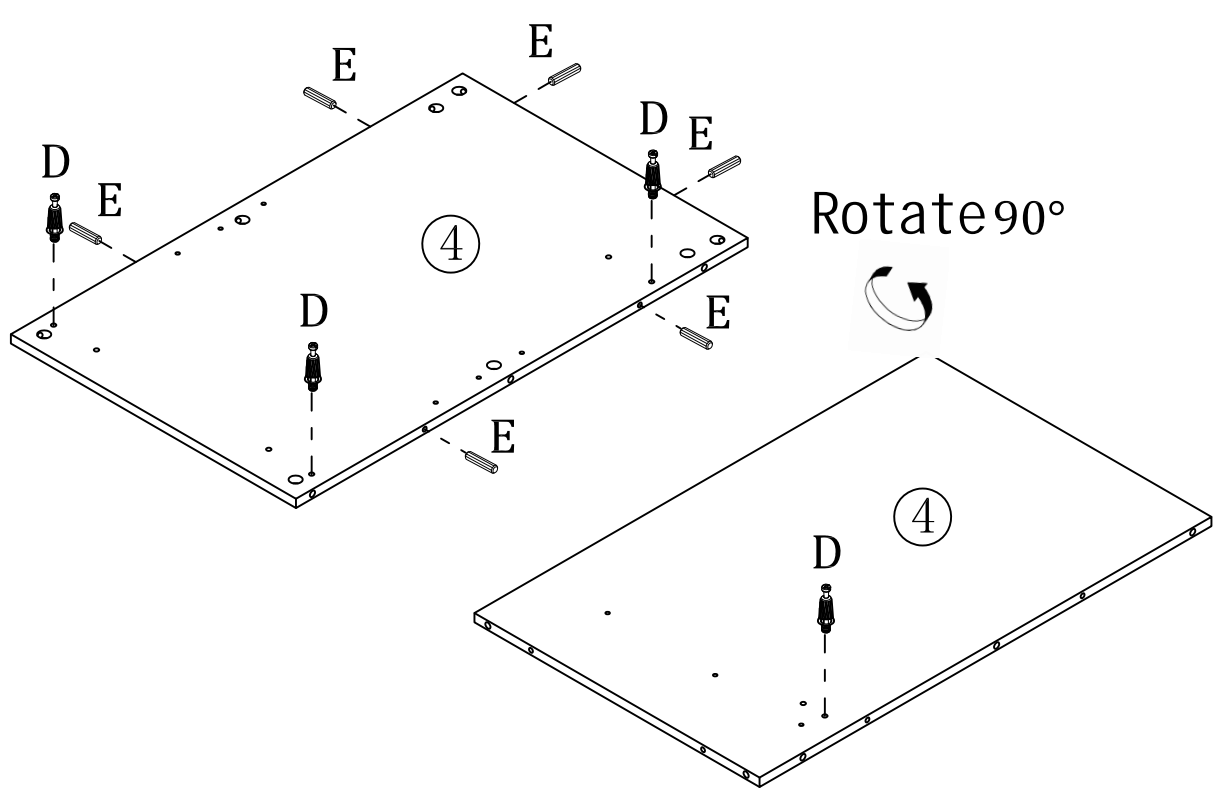


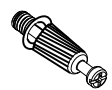
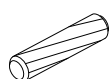
# STEP 3



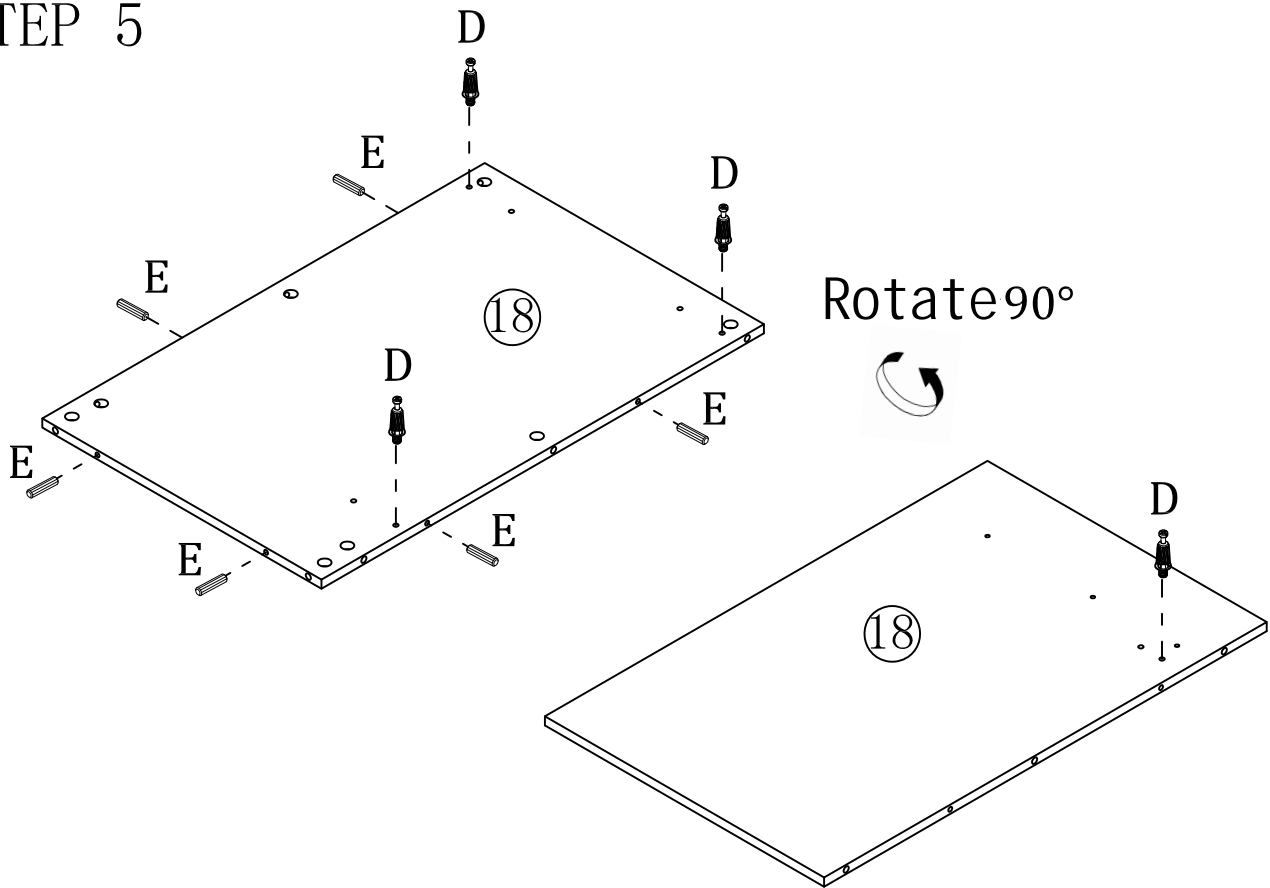
	D*6PCS		E*12PCS
--	--------	--	---------


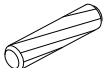
# STEP 4



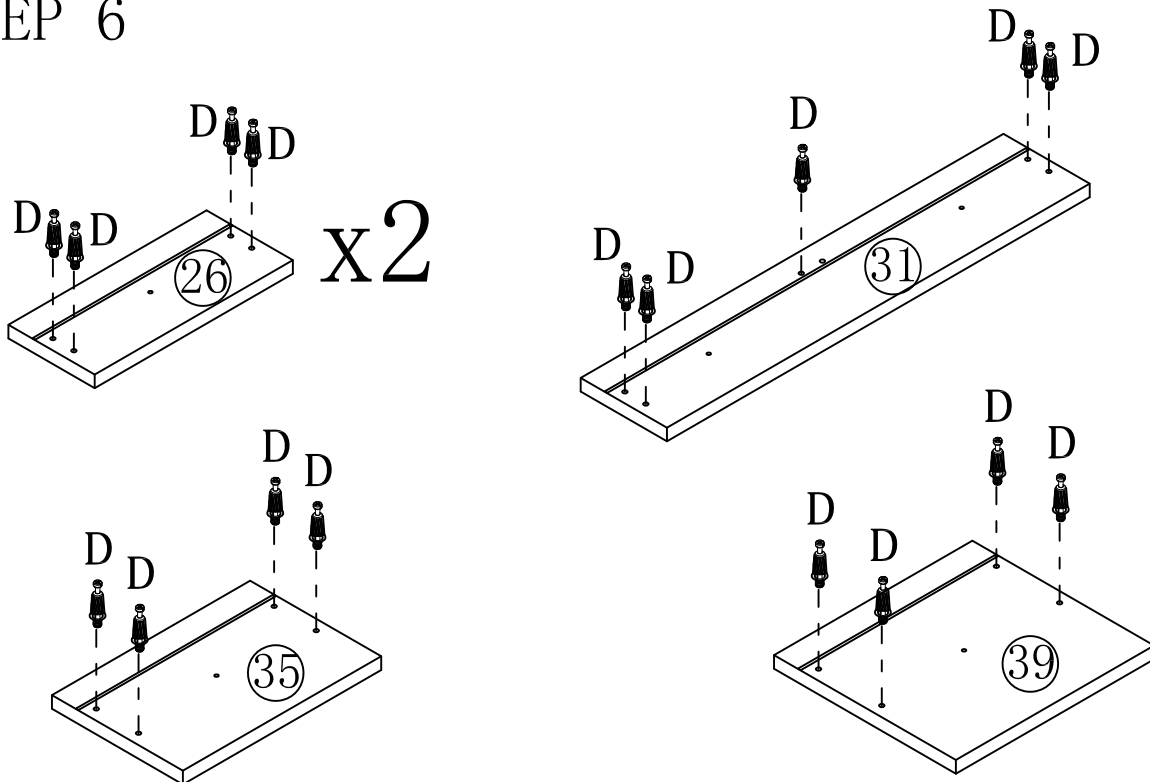
	D*4PCS		E*6PCS
---	--------	---	--------


# STEP 5



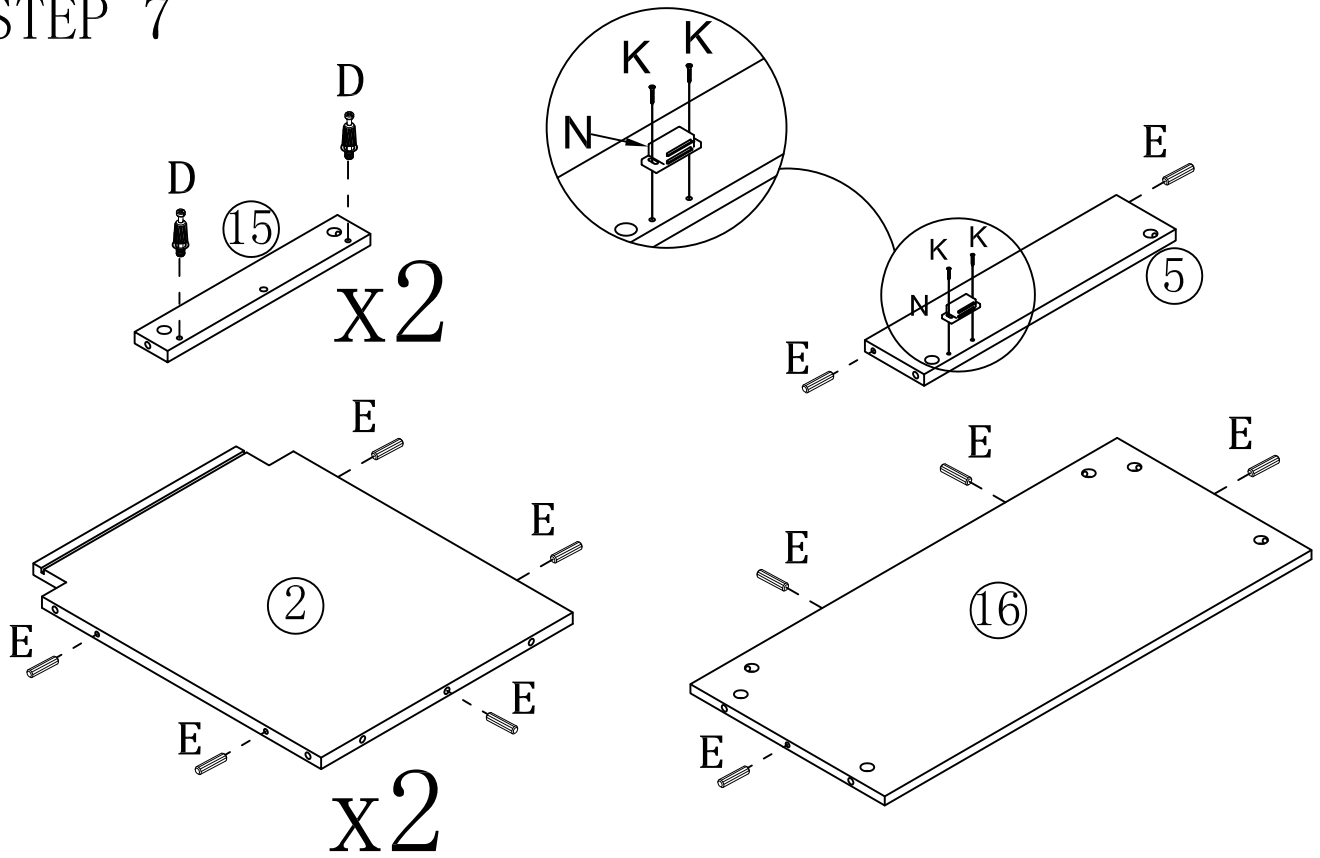
	D*4PCS		E*6PCS
--	--------	---	--------


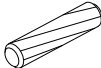

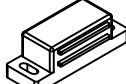
# STEP 6



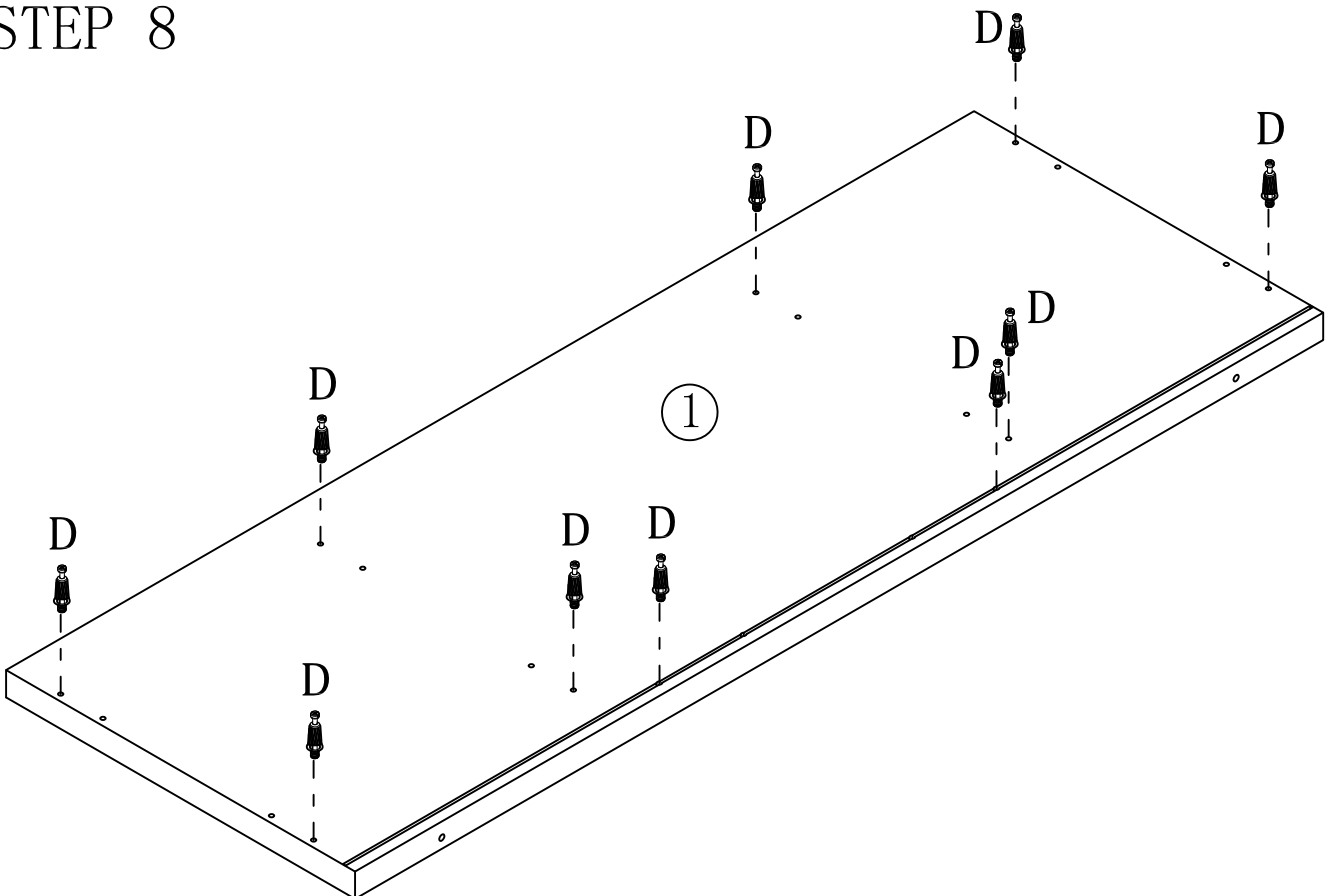
	D*21PCS
---	---------


# STEP 7



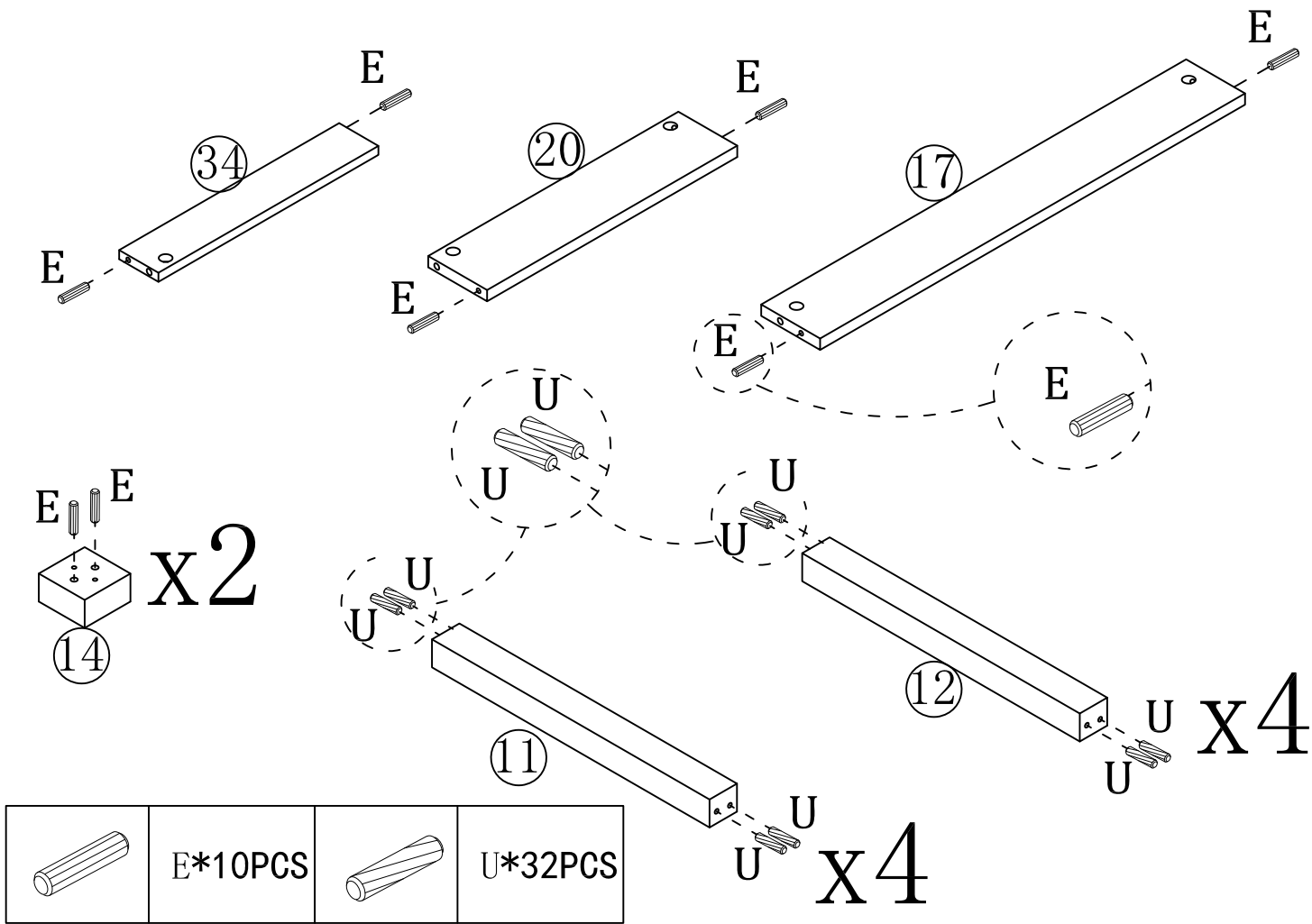
	D*4PCS		E*16PCS		K*2PCS		N*1PCS
--	--------	---	---------	---	--------	--	--------

# STEP 8

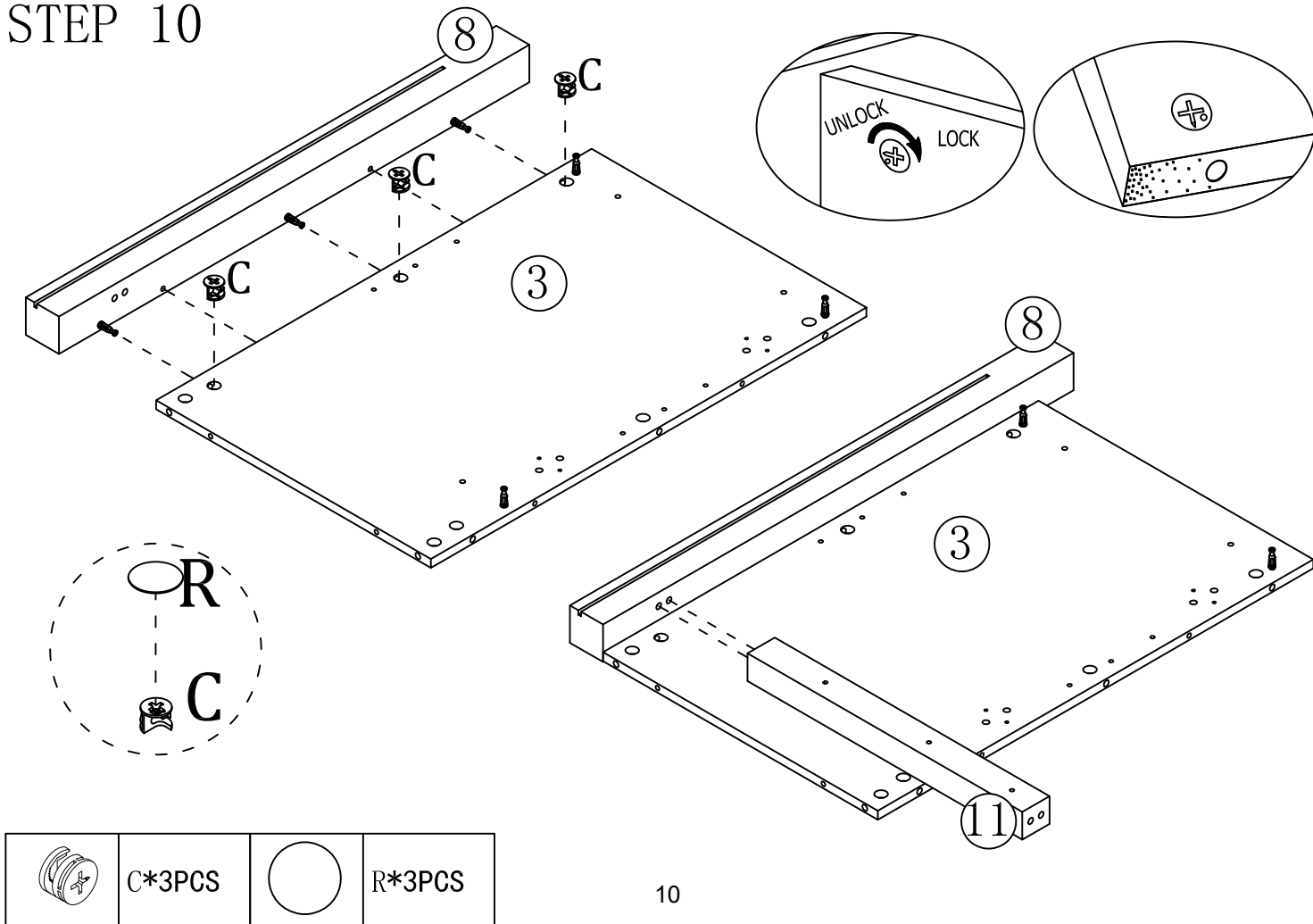


	D*10PCS
---	---------

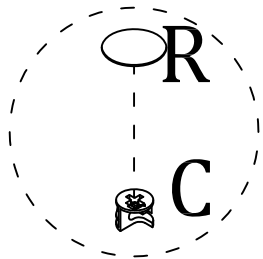
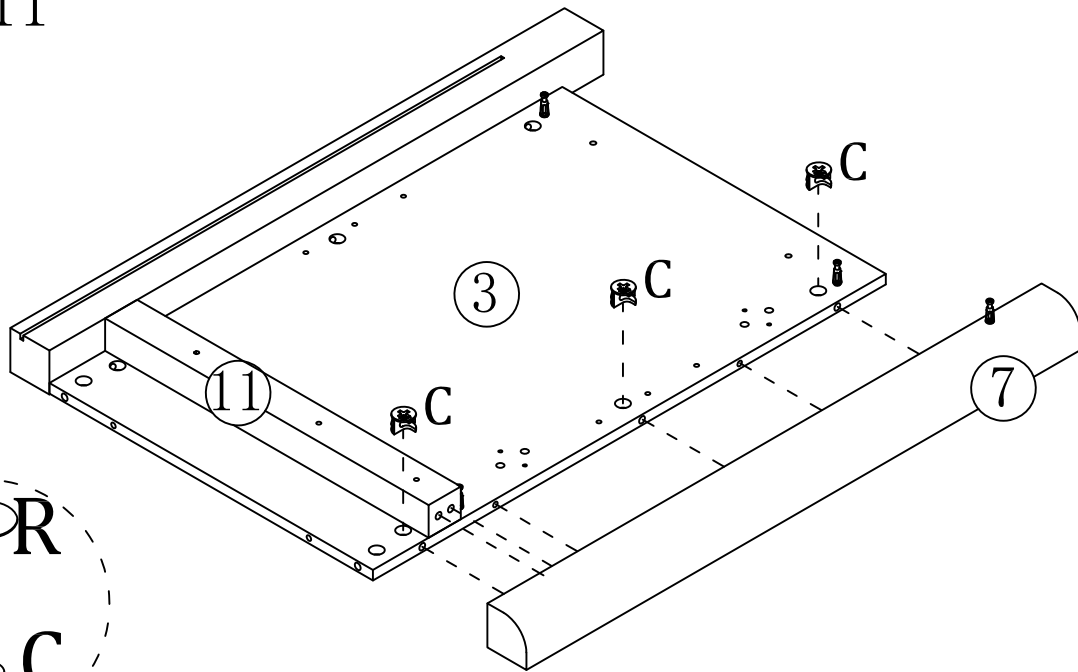
# STEP 9

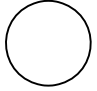



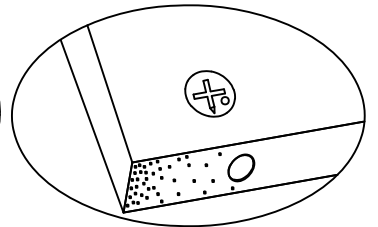
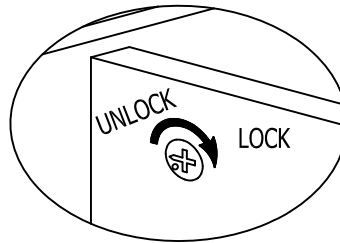
# STEP 10



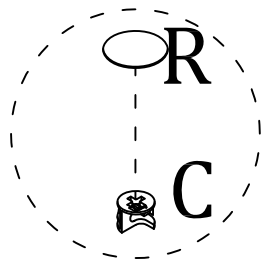
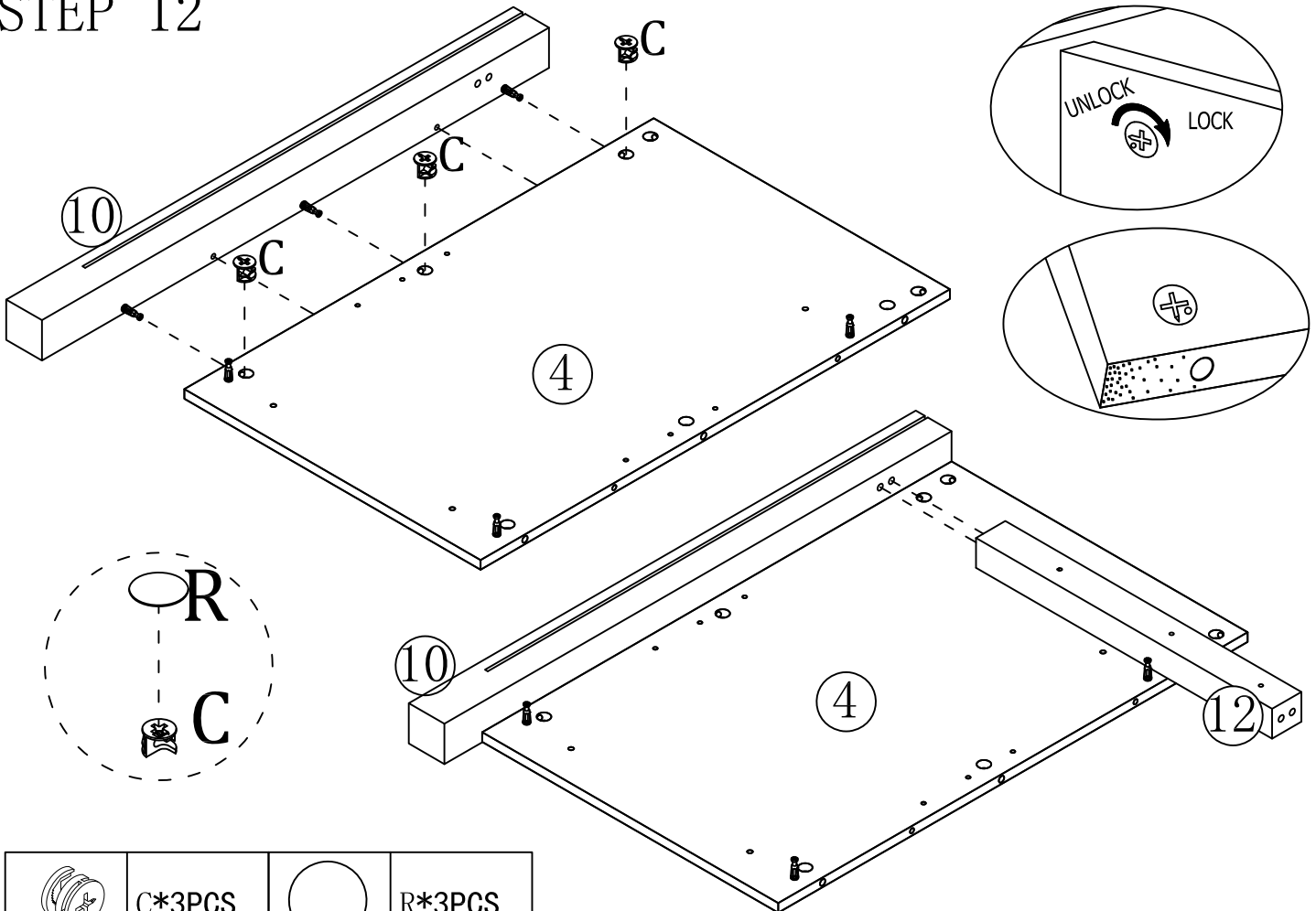
# STEP 11



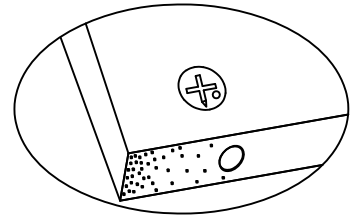
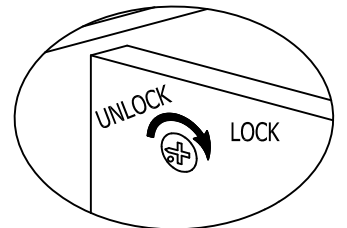
	R*3PCS
	C*3PCS



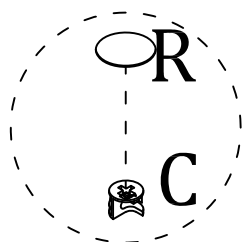
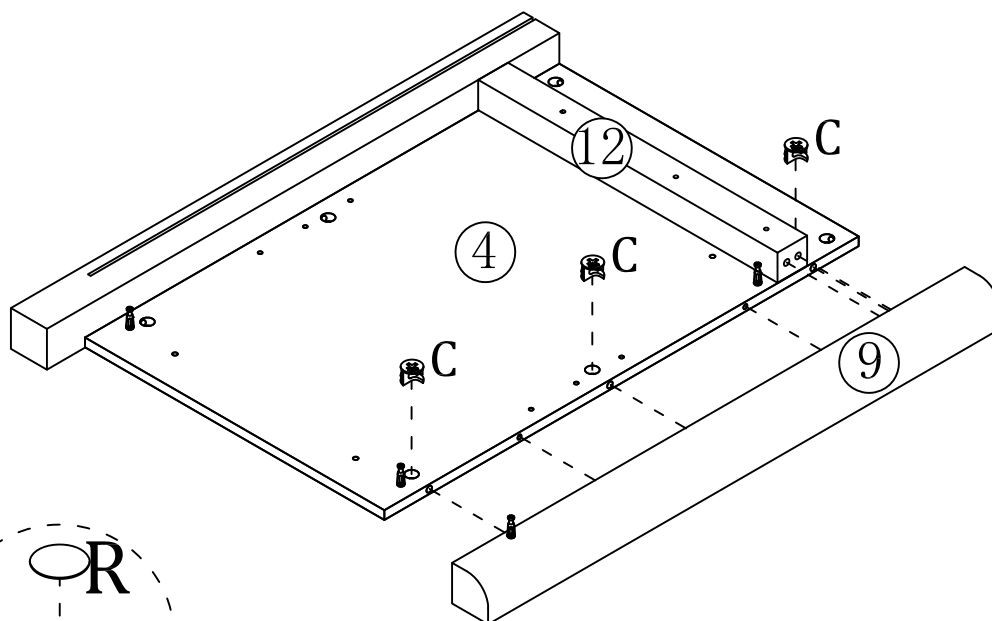
# STEP 12



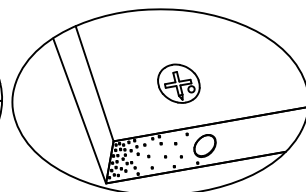
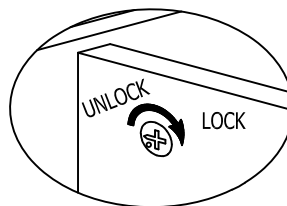
	C*3PCS		R*3PCS
---	--------	---	--------



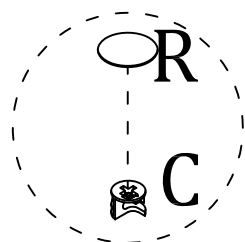
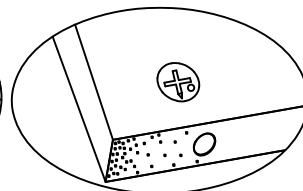
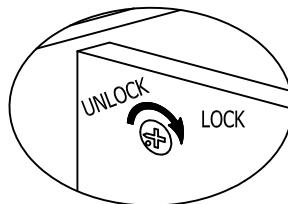
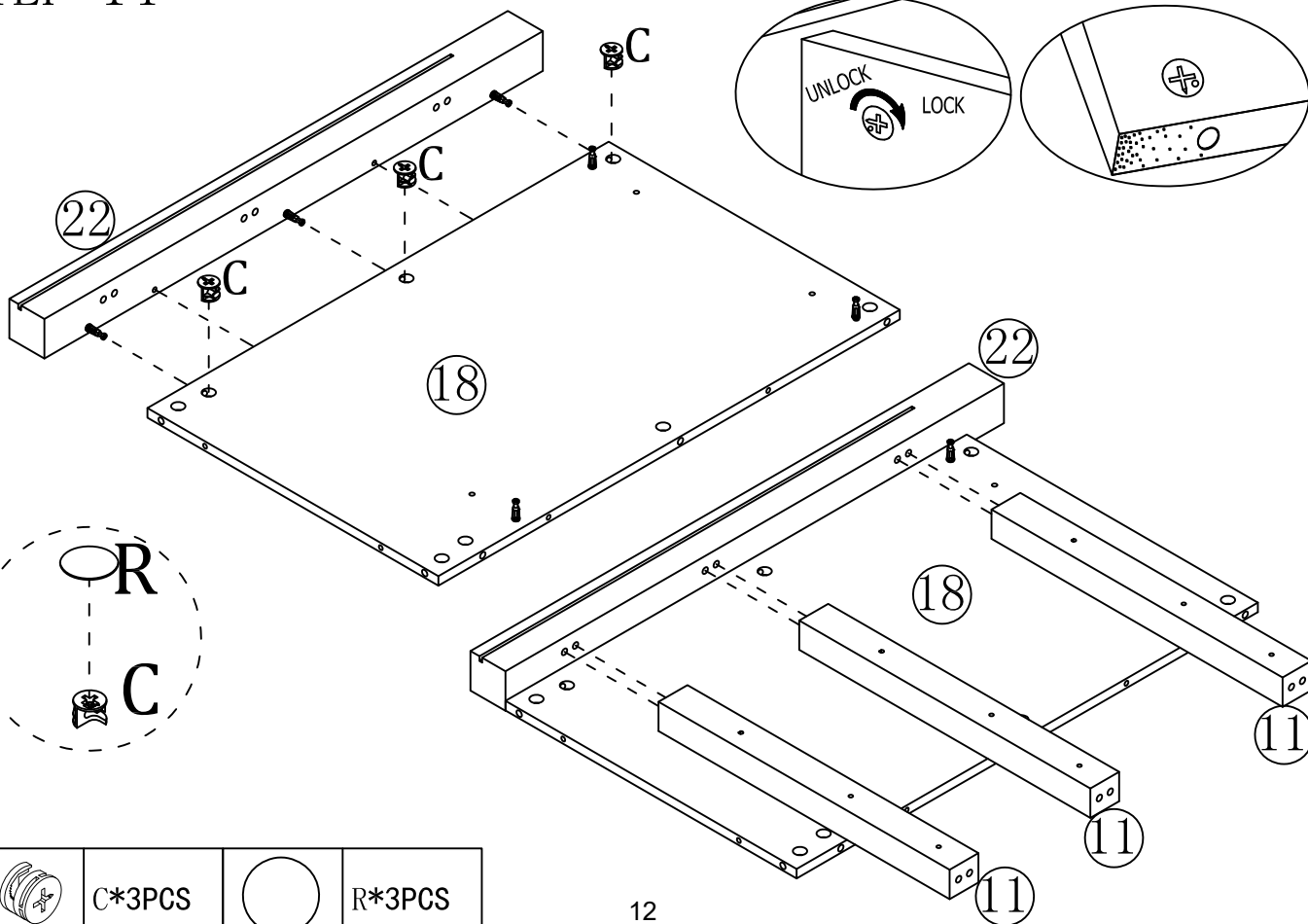
# STEP 13



	C*3PCS		R*3PCS
---	--------	---	--------

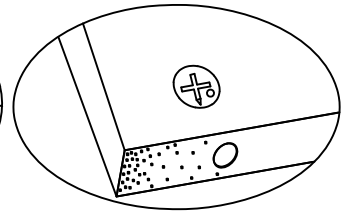
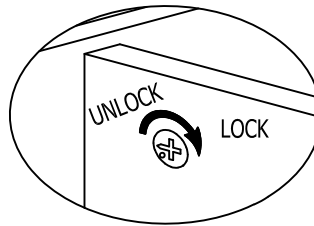
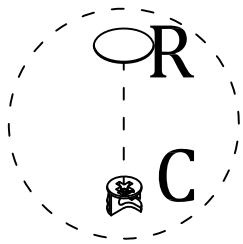
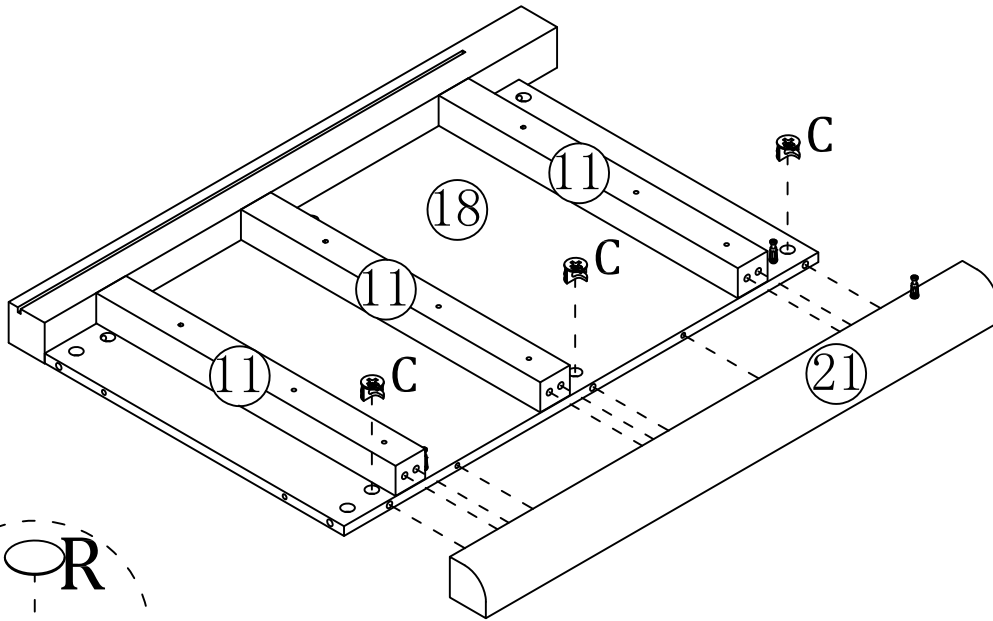




# STEP 14



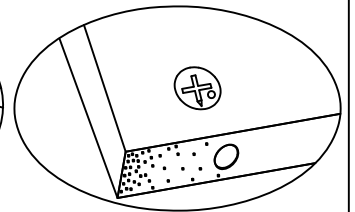
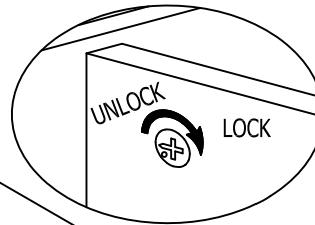
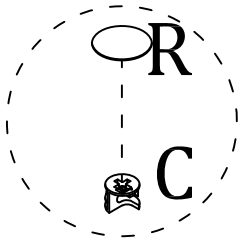
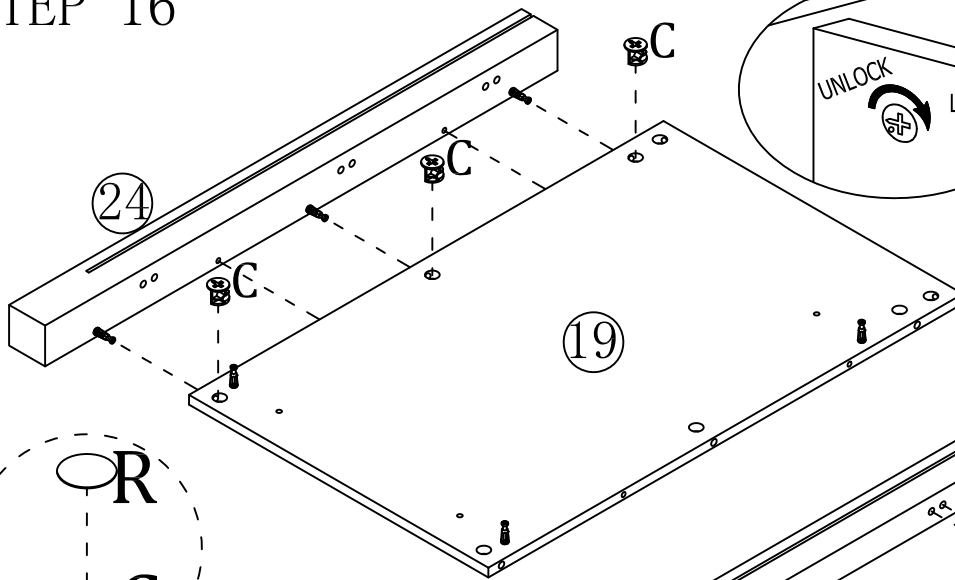
	C*3PCS		R*3PCS
---	--------	---	--------

# STEP 15

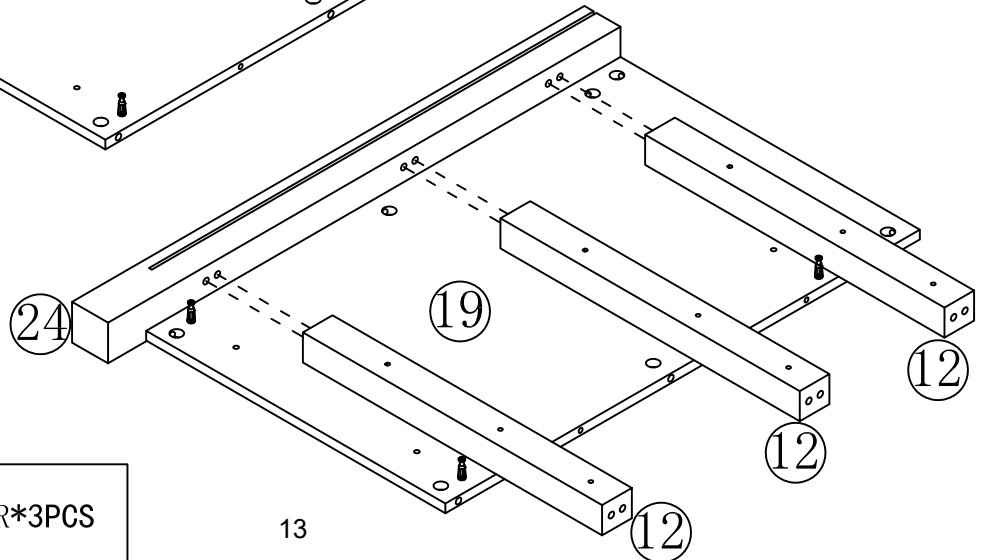


	C*3PCS		R*3PCS
---	--------	---	--------

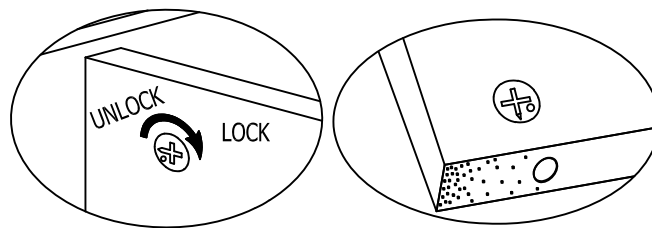
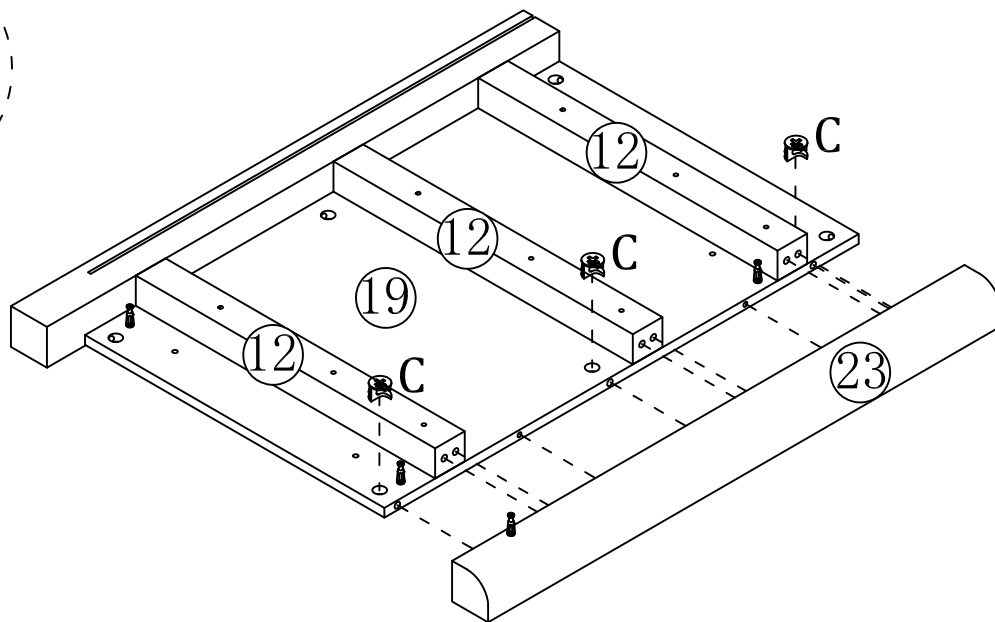
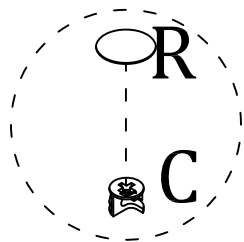
# STEP 16



	C*3PCS		R*3PCS
---	--------	---	--------

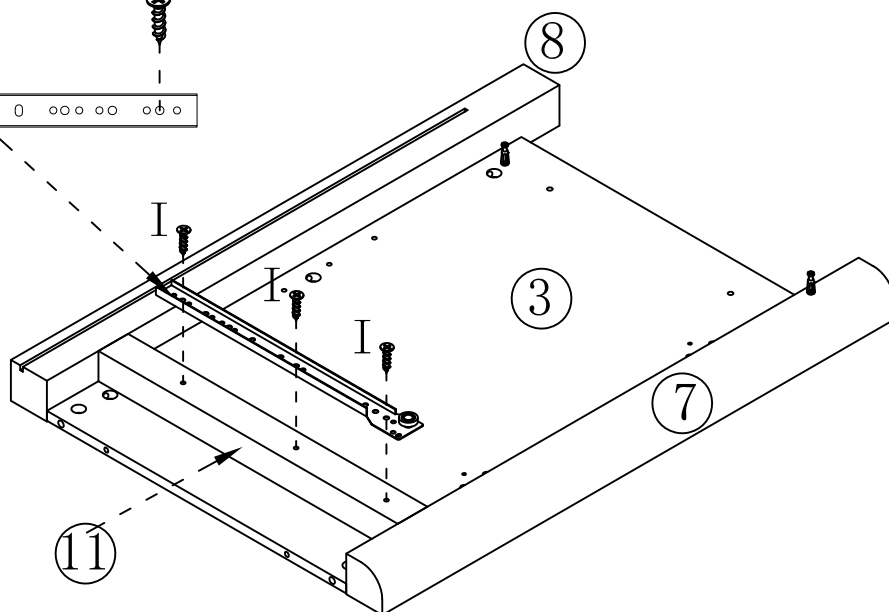
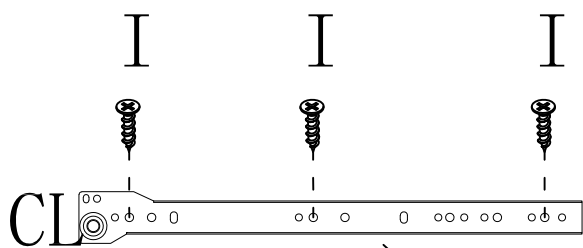




# STEP 17



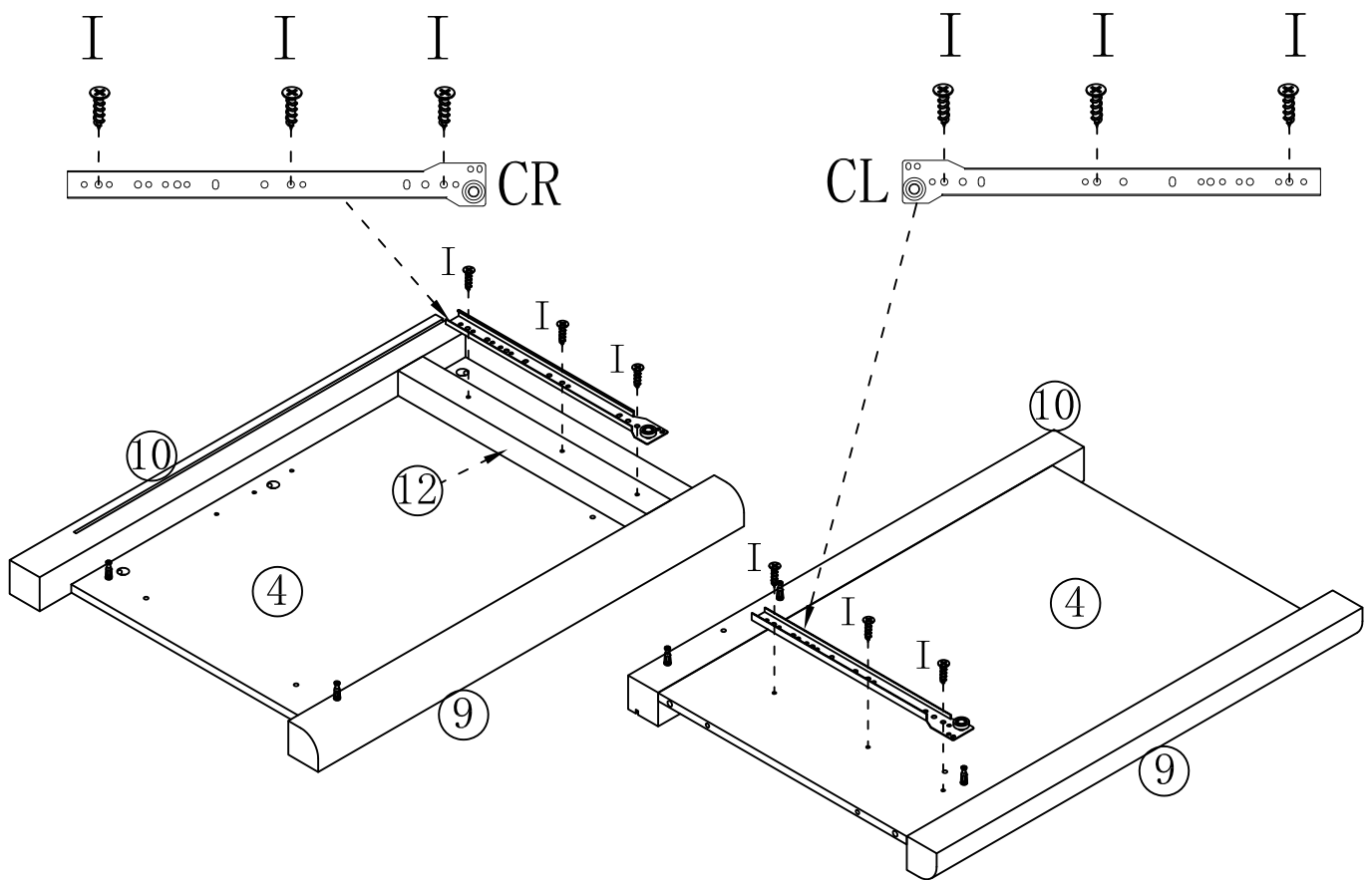
	C*3PCS		R*3PCS
---	--------	---	--------

# STEP 18



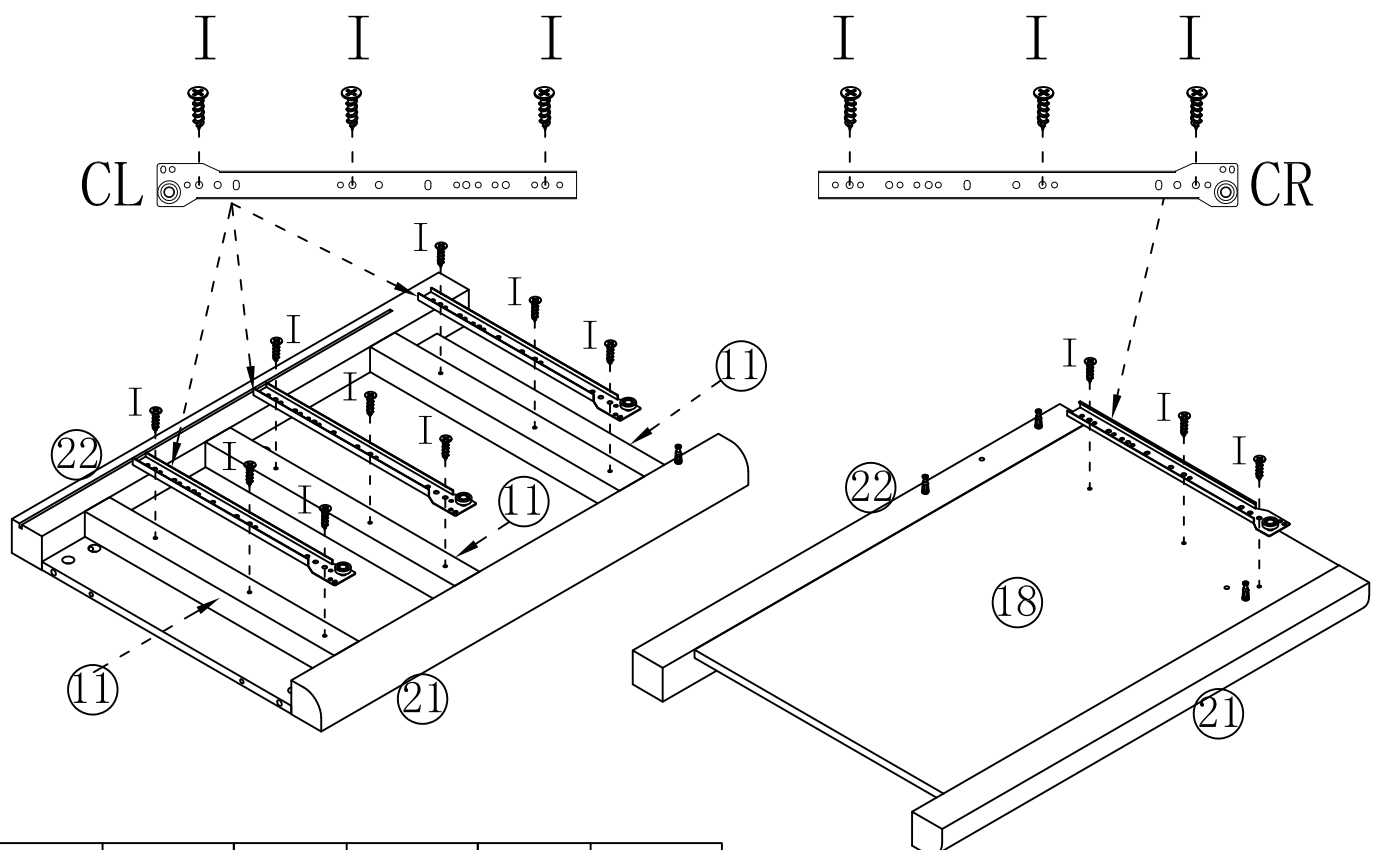
	I*3PCS		CL*1PCS
---	--------	---	---------

# STEP 19



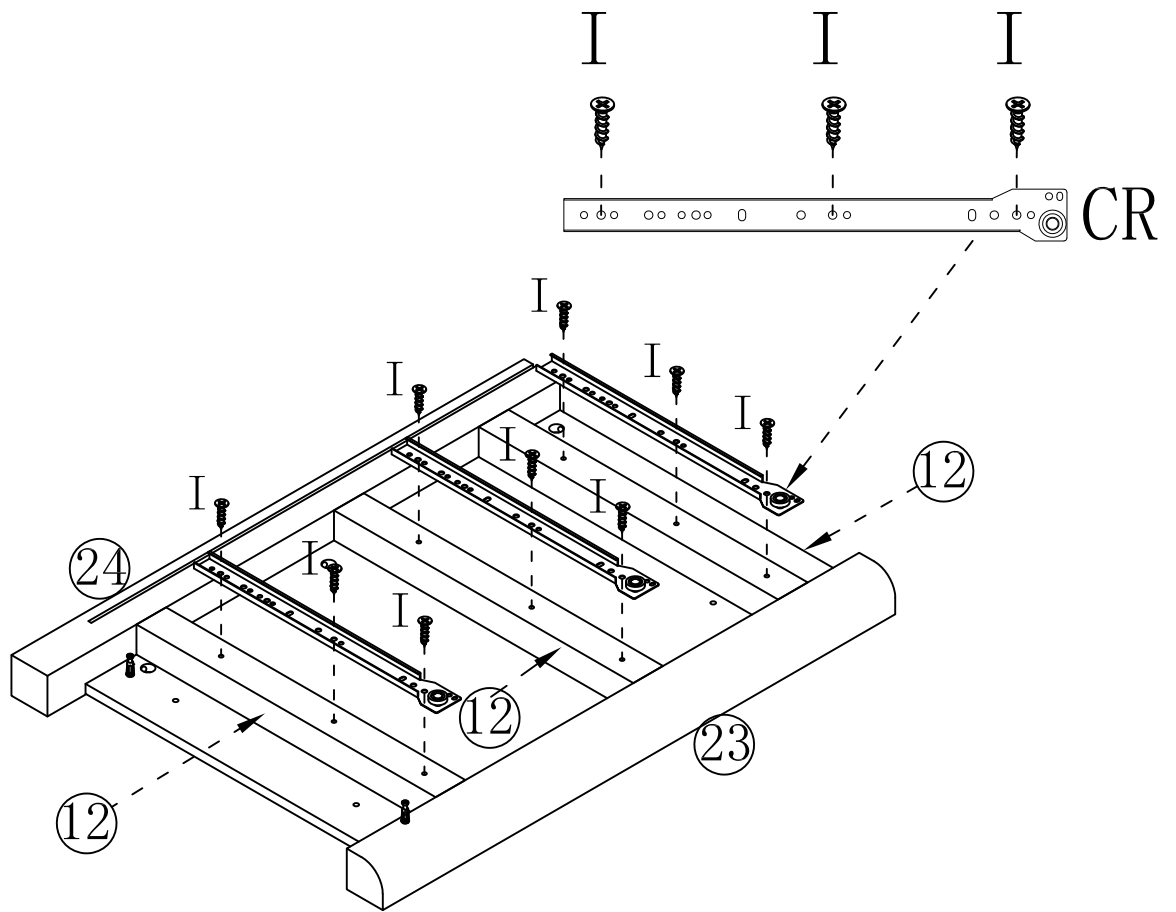
	I*6PCS		CL*1PCS		CR*1PCS
--	--------	--	---------	--	---------



# STEP 20



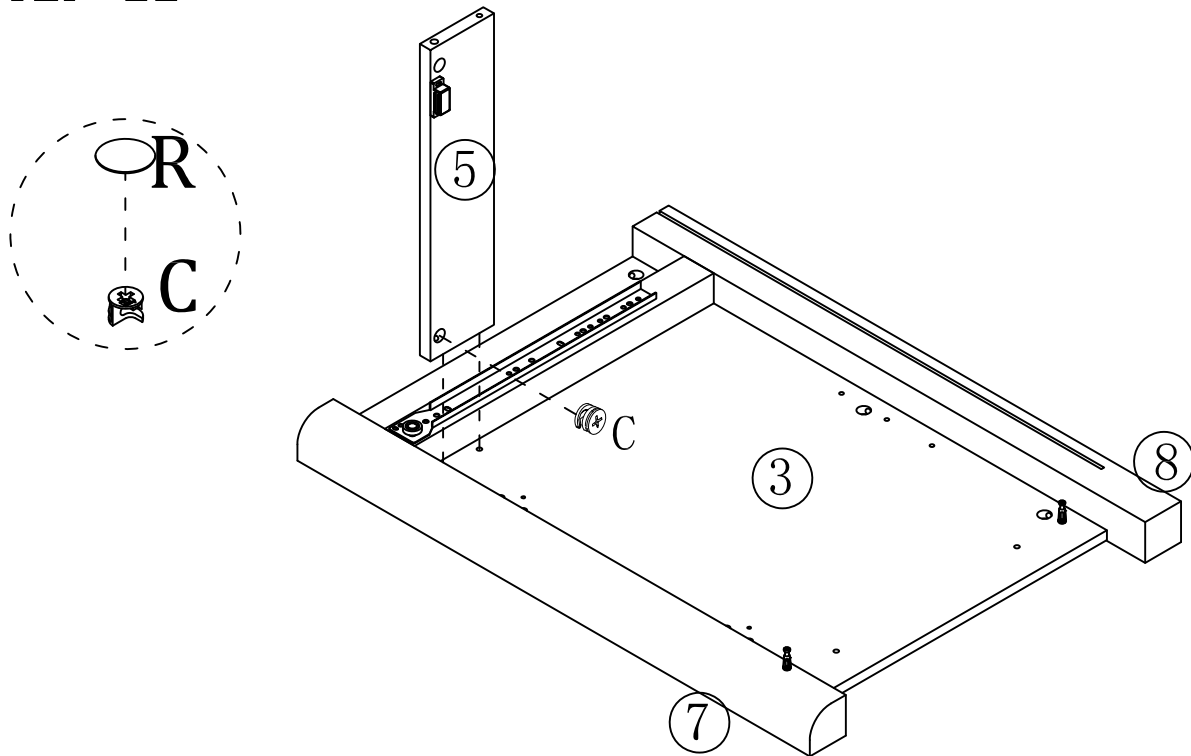
	I*12PCS		CL*3PCS		CR*1PCS
--	---------	--	---------	--	---------

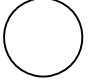
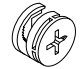
# STEP 21

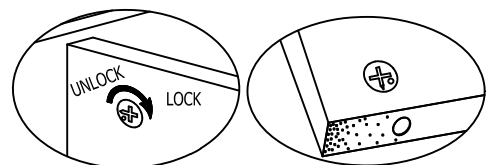


	I*9PCS		CR*3PCS
---	--------	---	---------

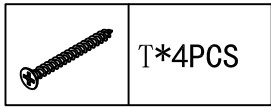
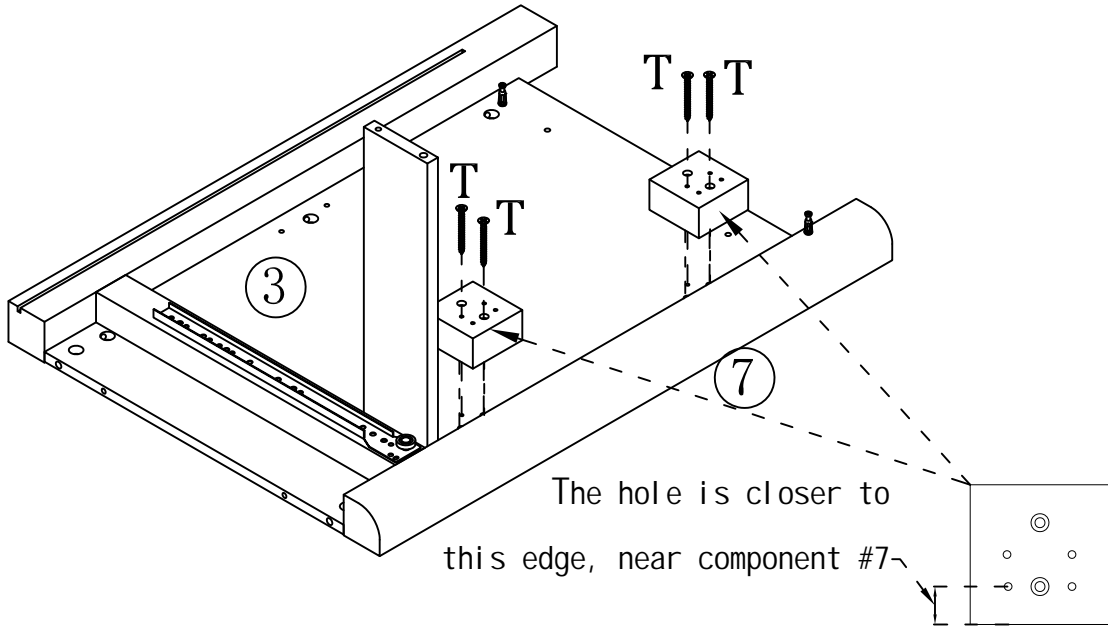
# STEP 22



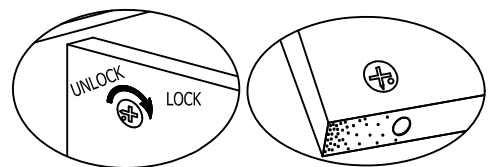
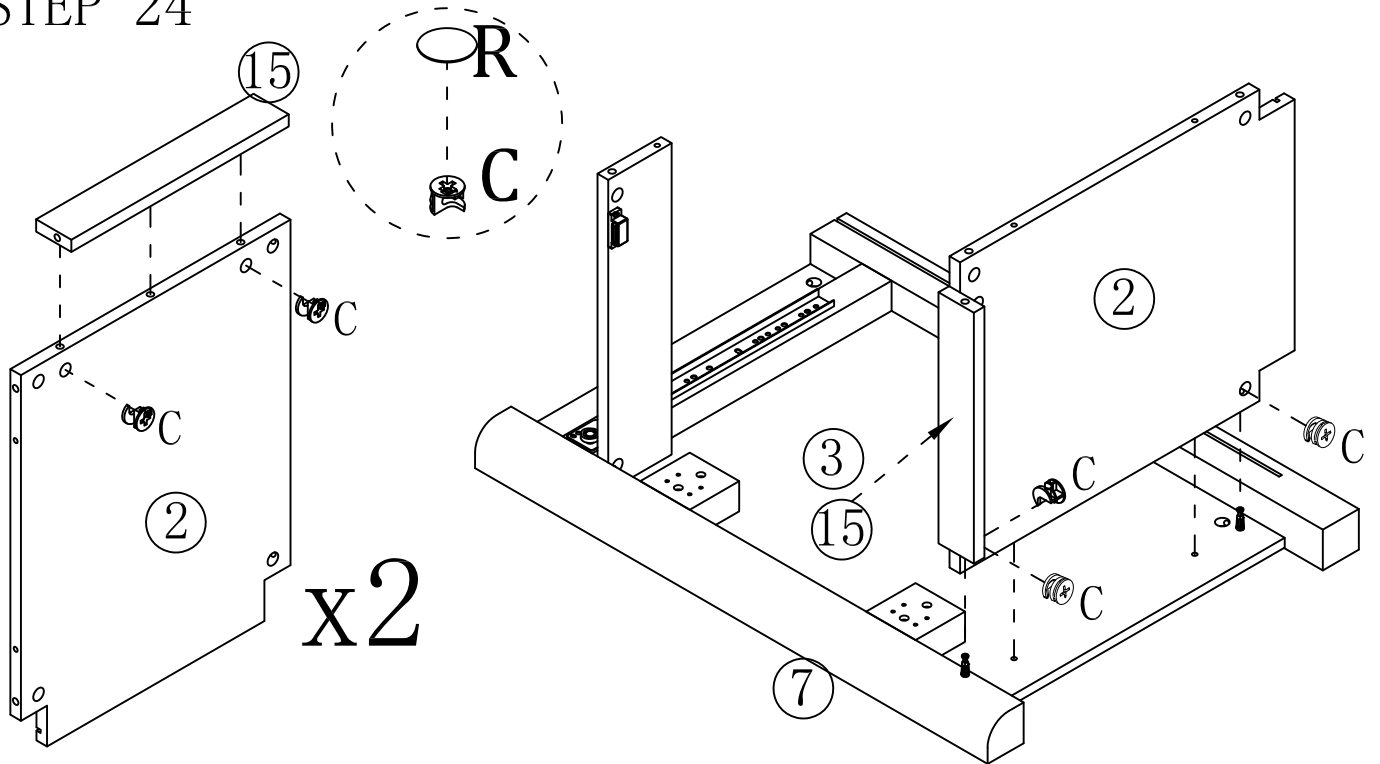
	R*1PCS		C*1PCS
---	--------	---	--------



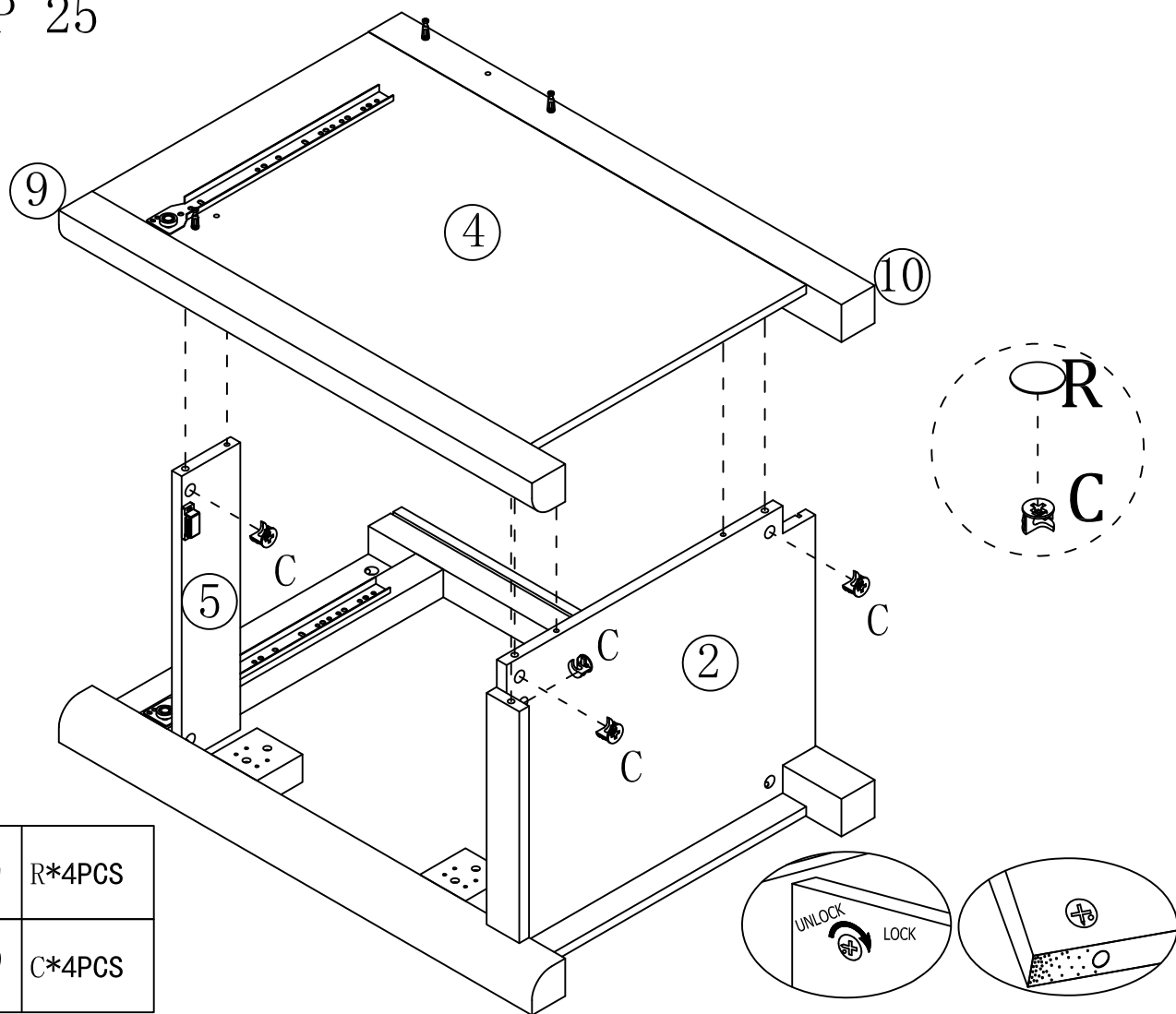
# STEP 23



# STEP 24

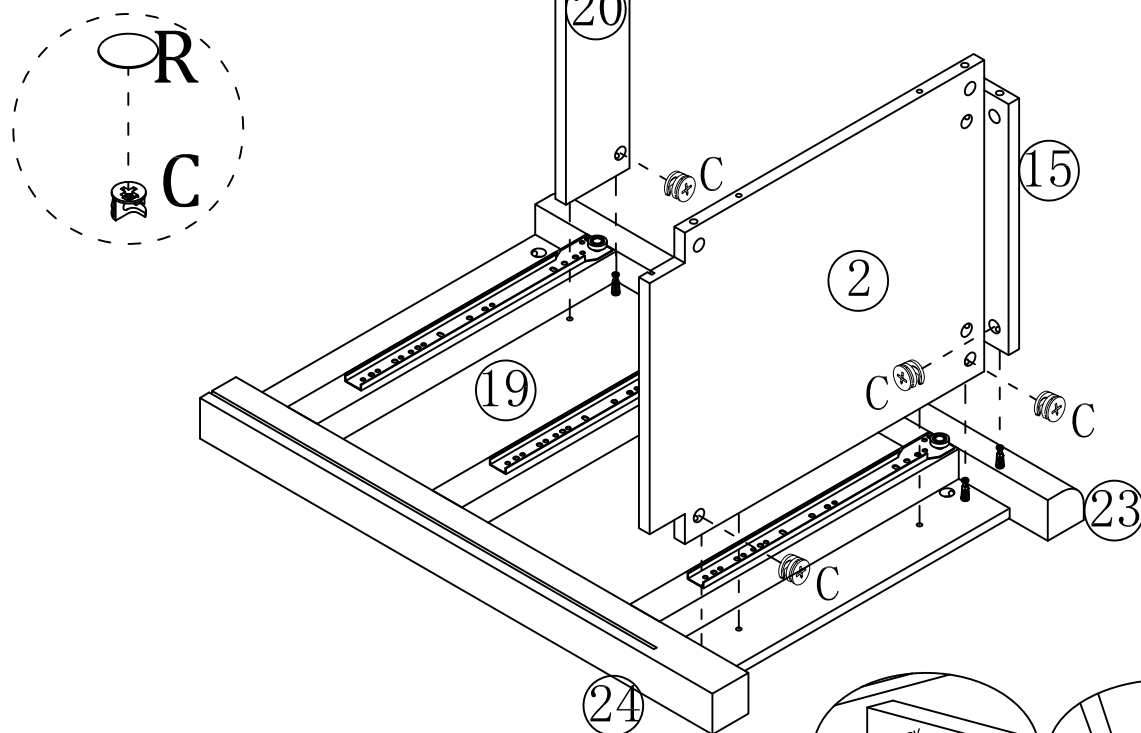


# STEP 25



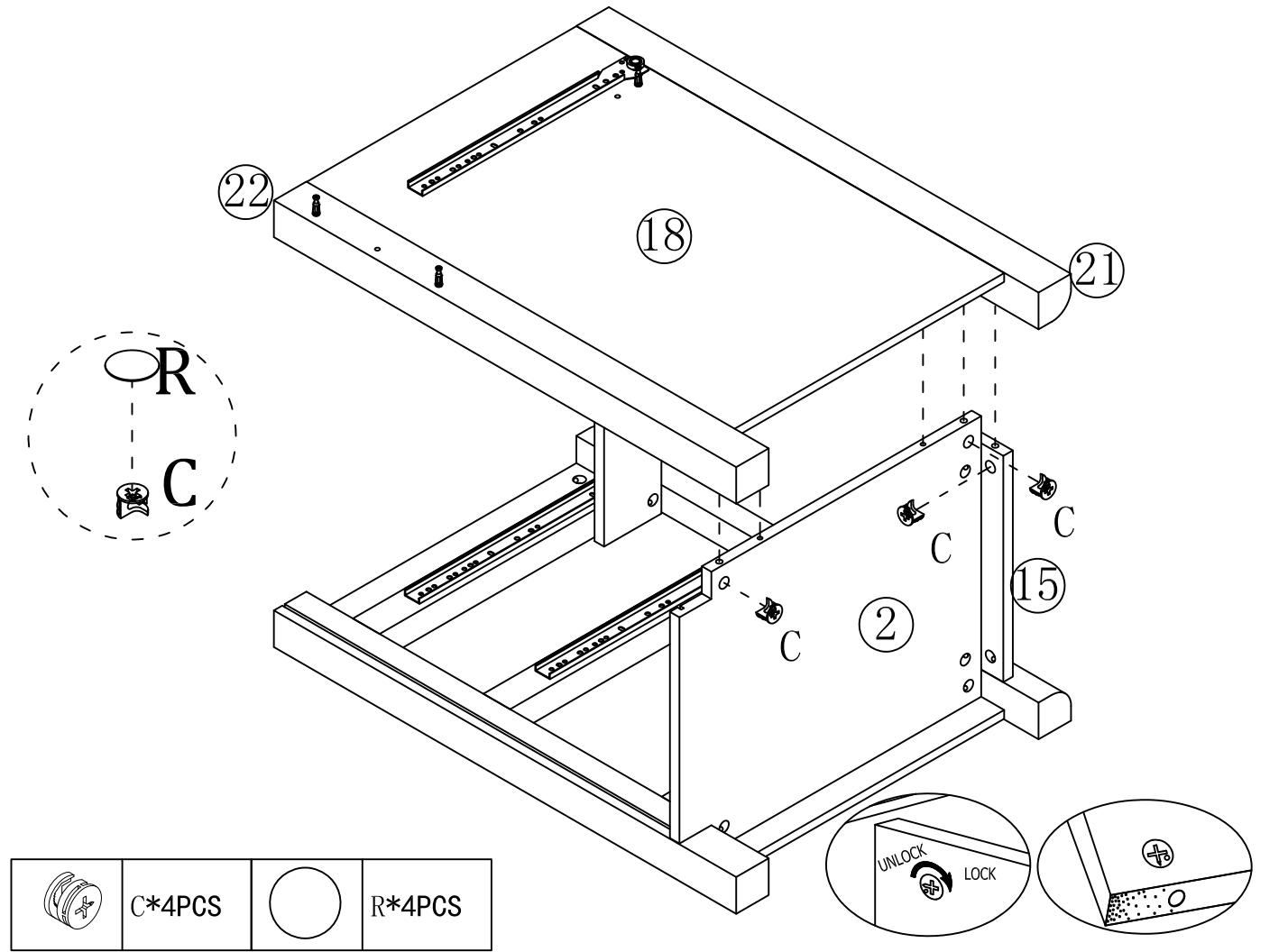
	R*4PCS
	C*4PCS

# STEP 26

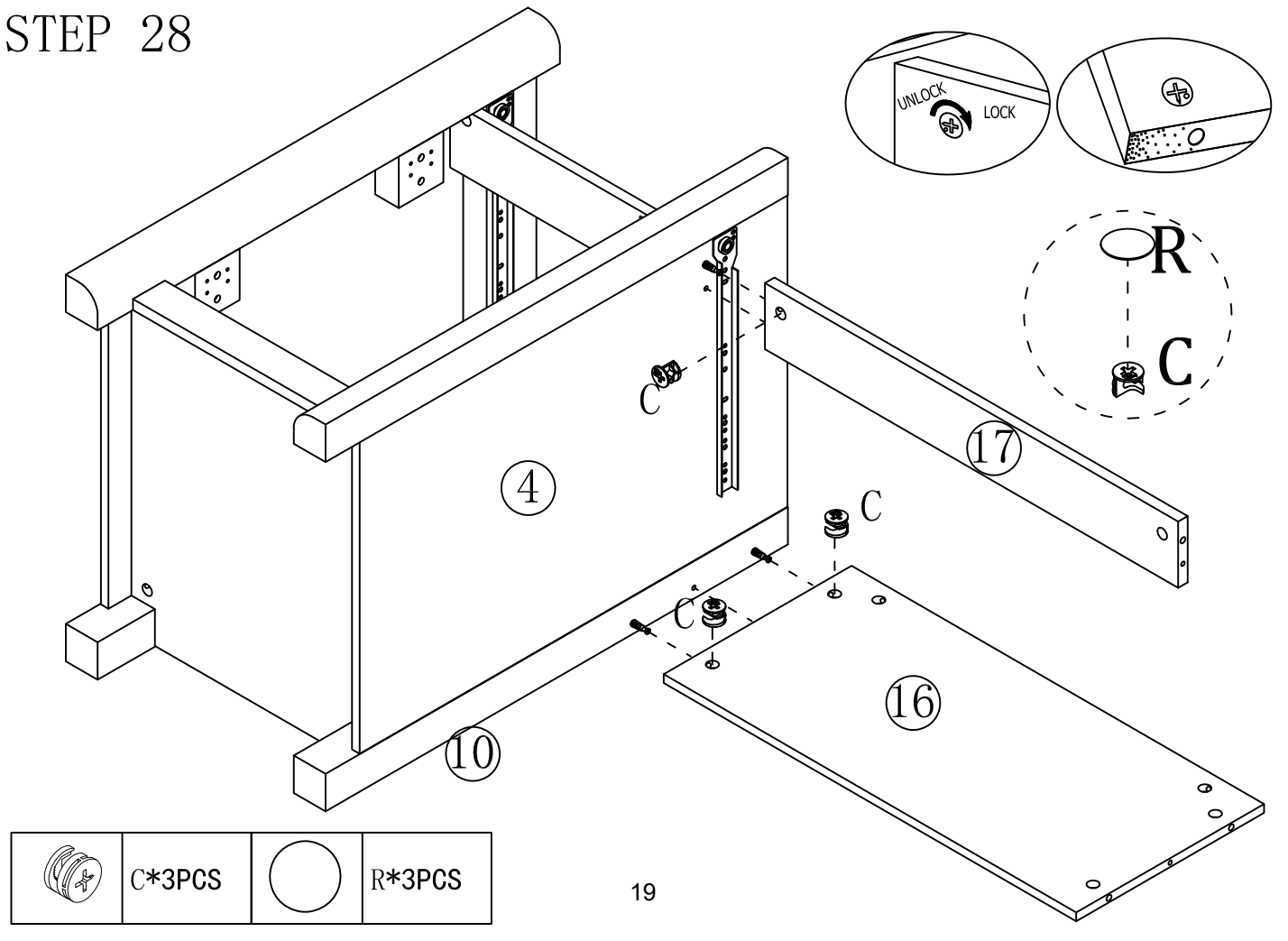


	C*4PCS		R*4PCS
--	--------	--	--------

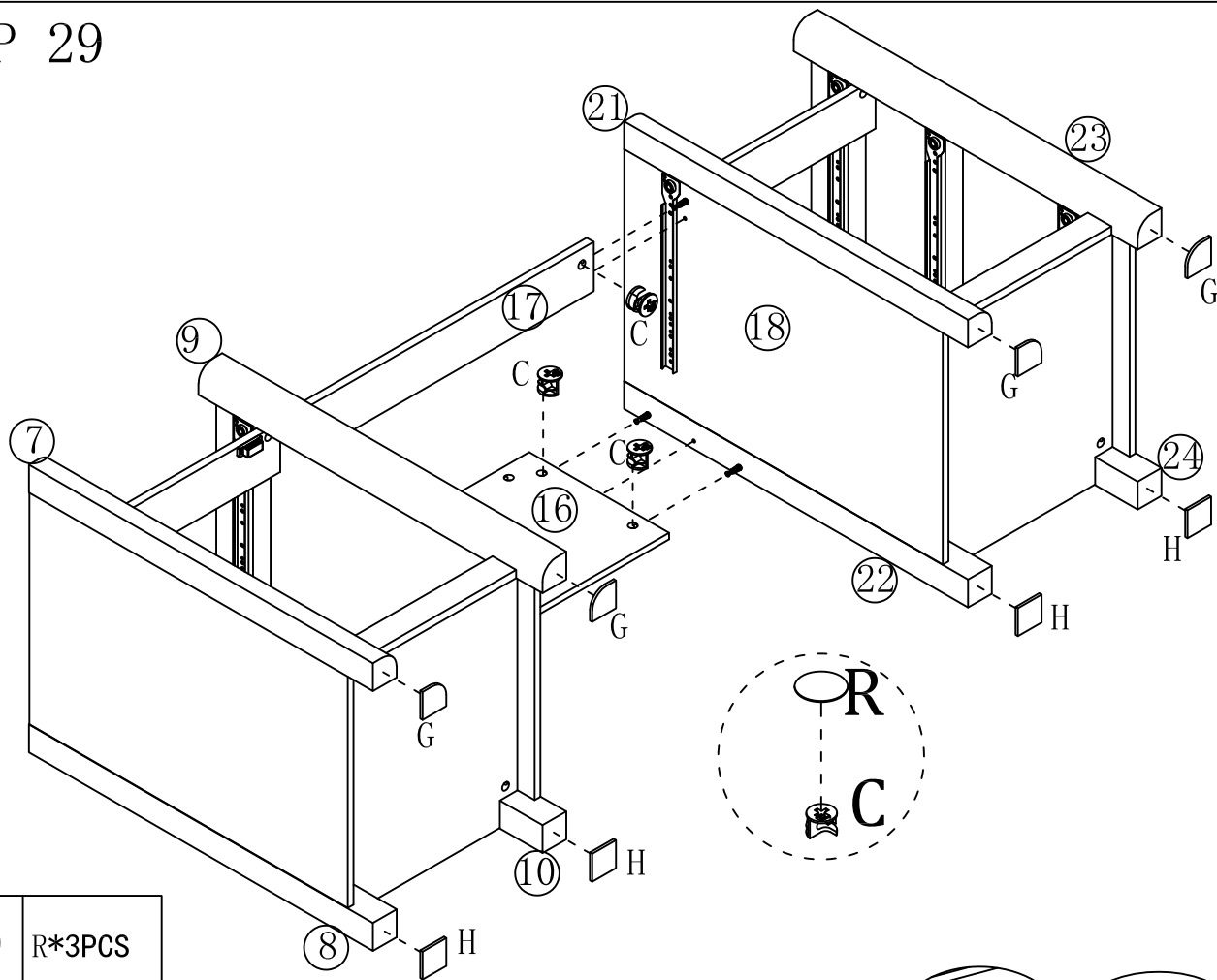
# STEP 27

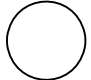

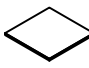



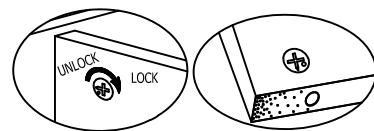
# STEP 28



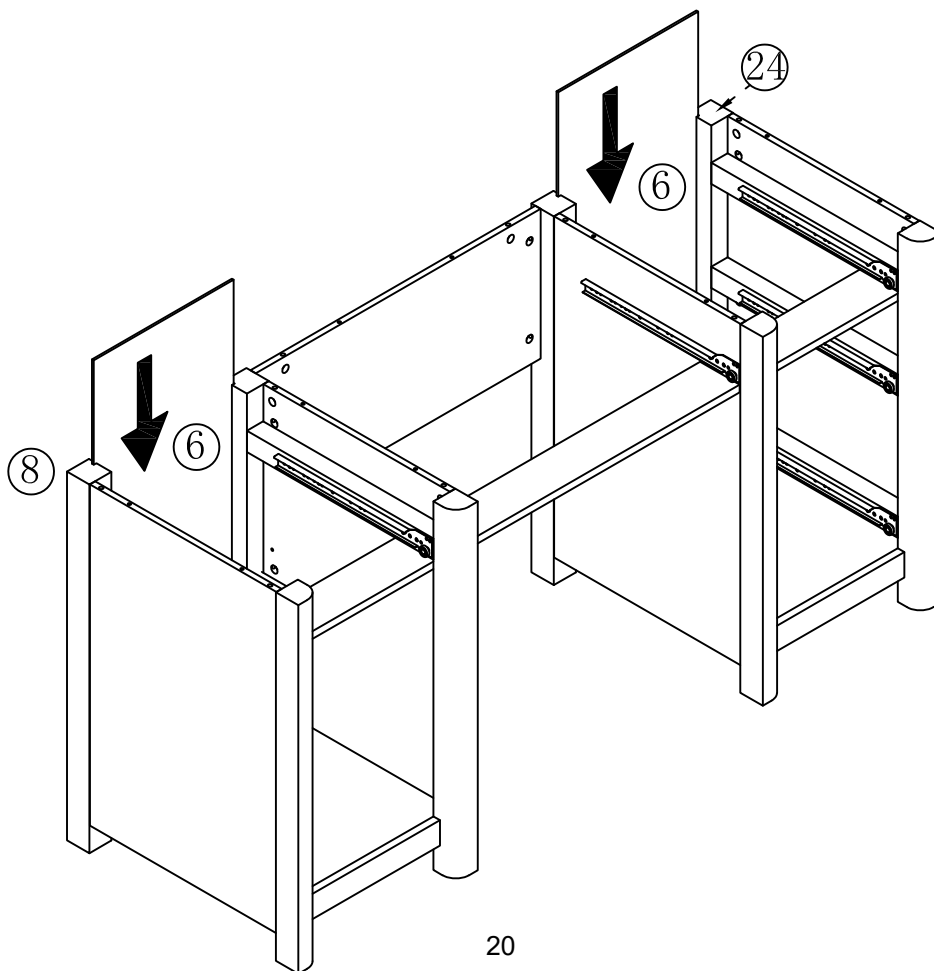
# STEP 29



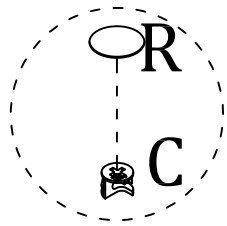
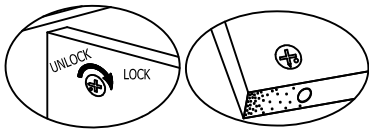
	R*3PCS		G*4PCS		H*4PCS
	C*3PCS				

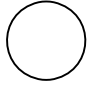

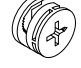


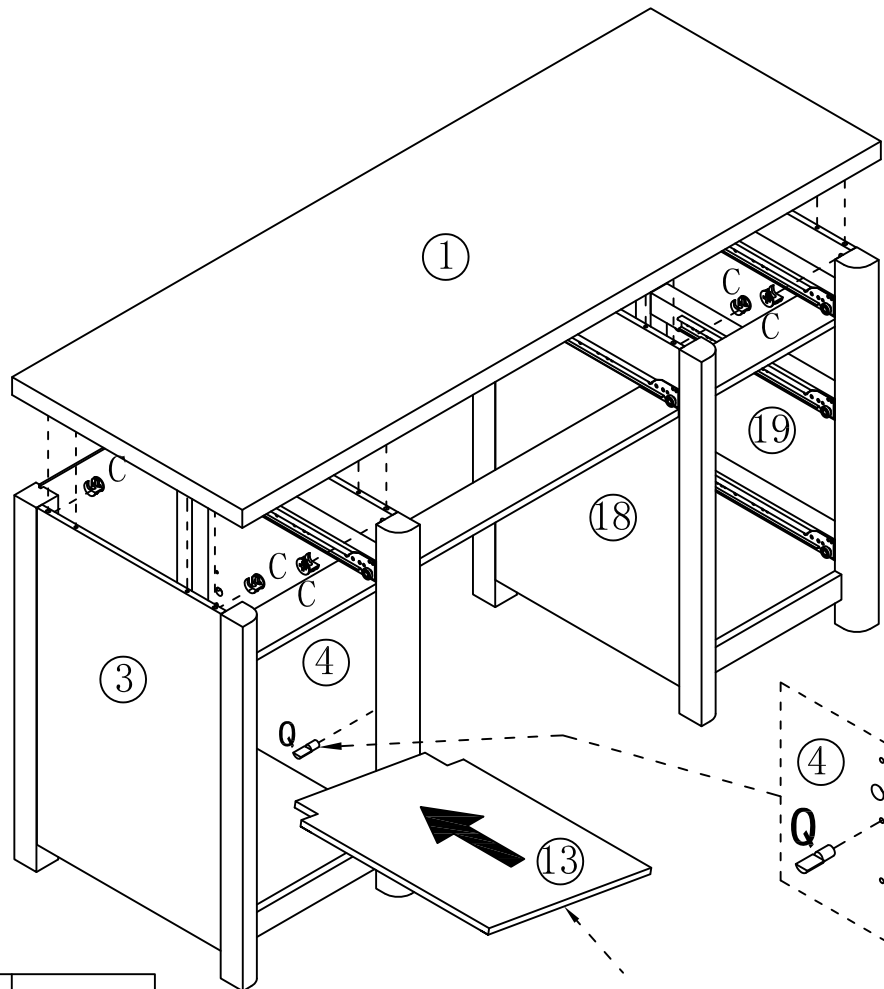
# STEP 30



# STEP 31

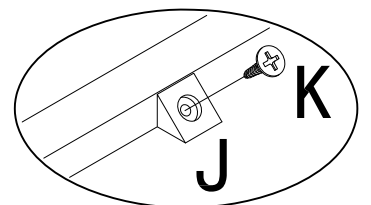
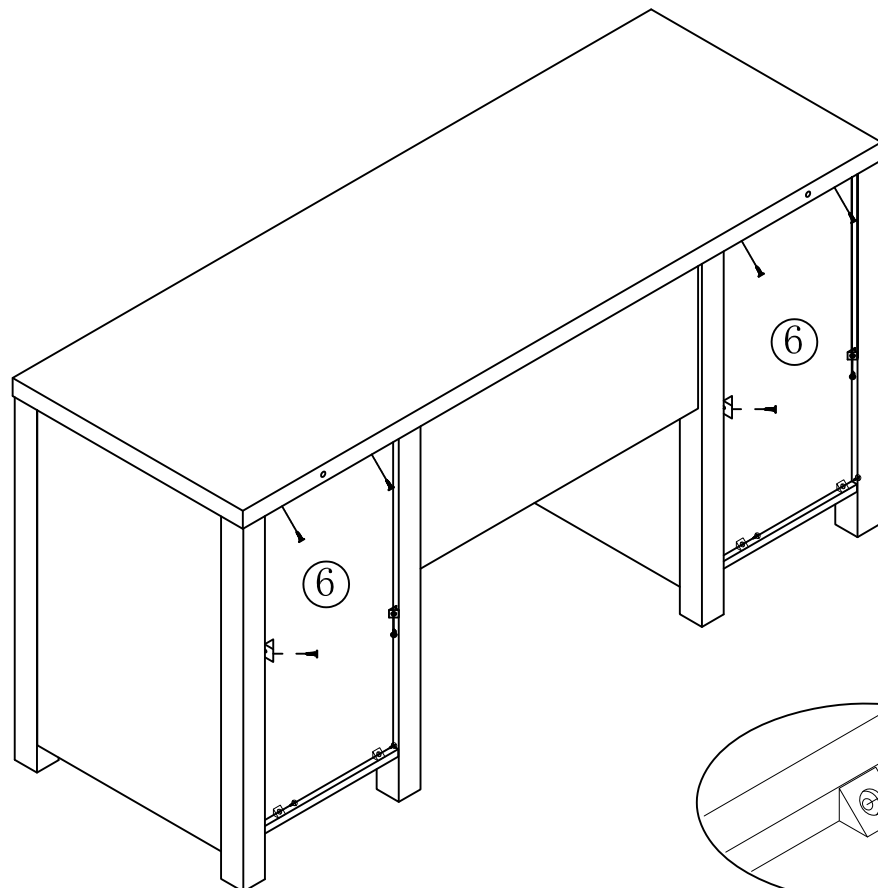


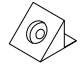

	R*10PCS		Q*4PCS
	C*10PCS		



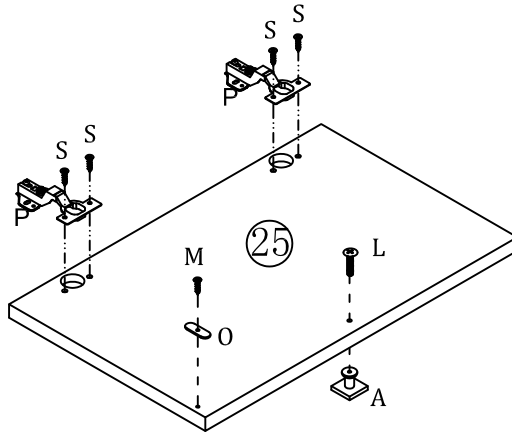
The component #13 is to be inserted at an angle







# STEP 32



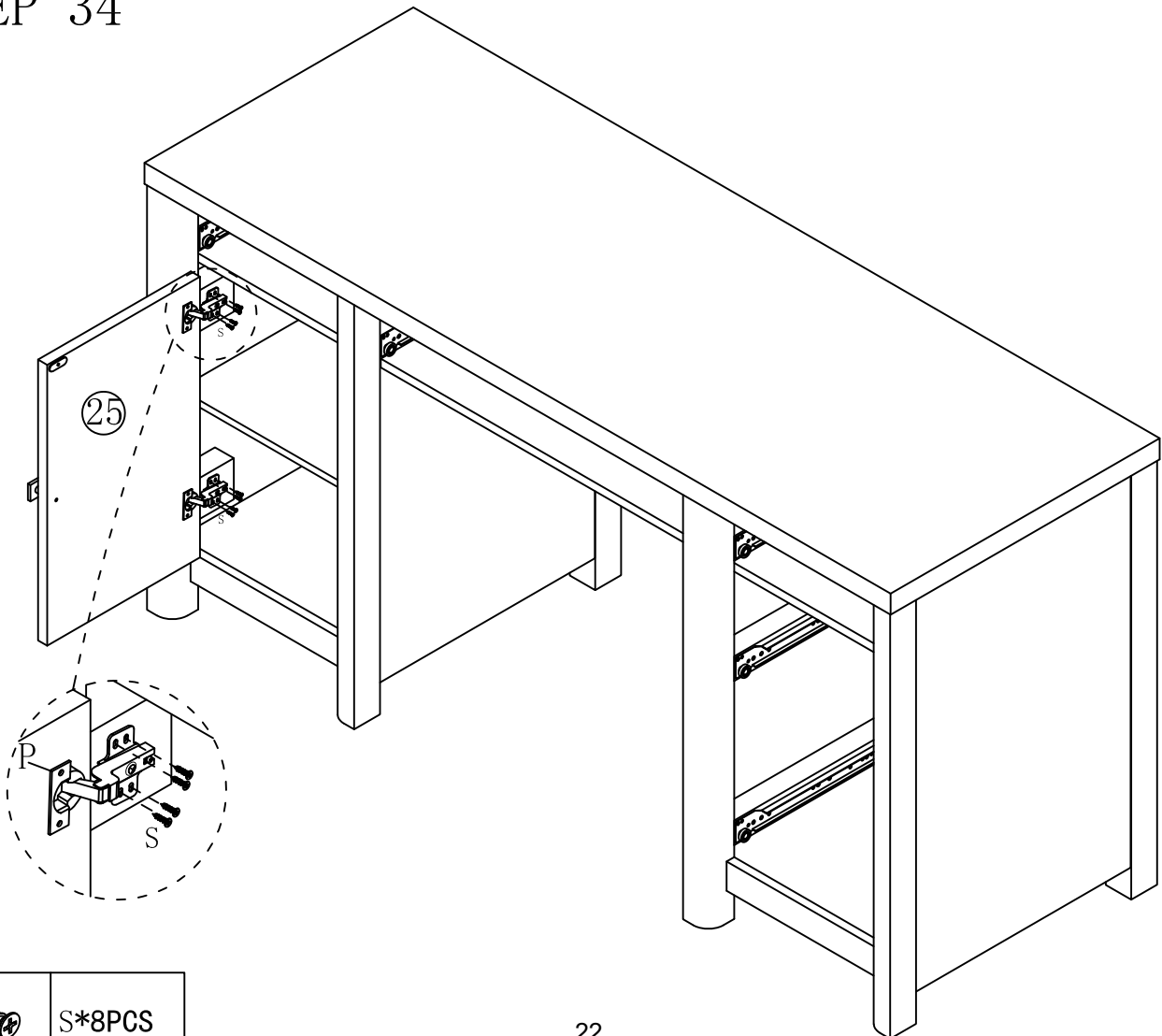
	J*12PCS		K*12PCS
---	---------	---	---------


# STEP 33



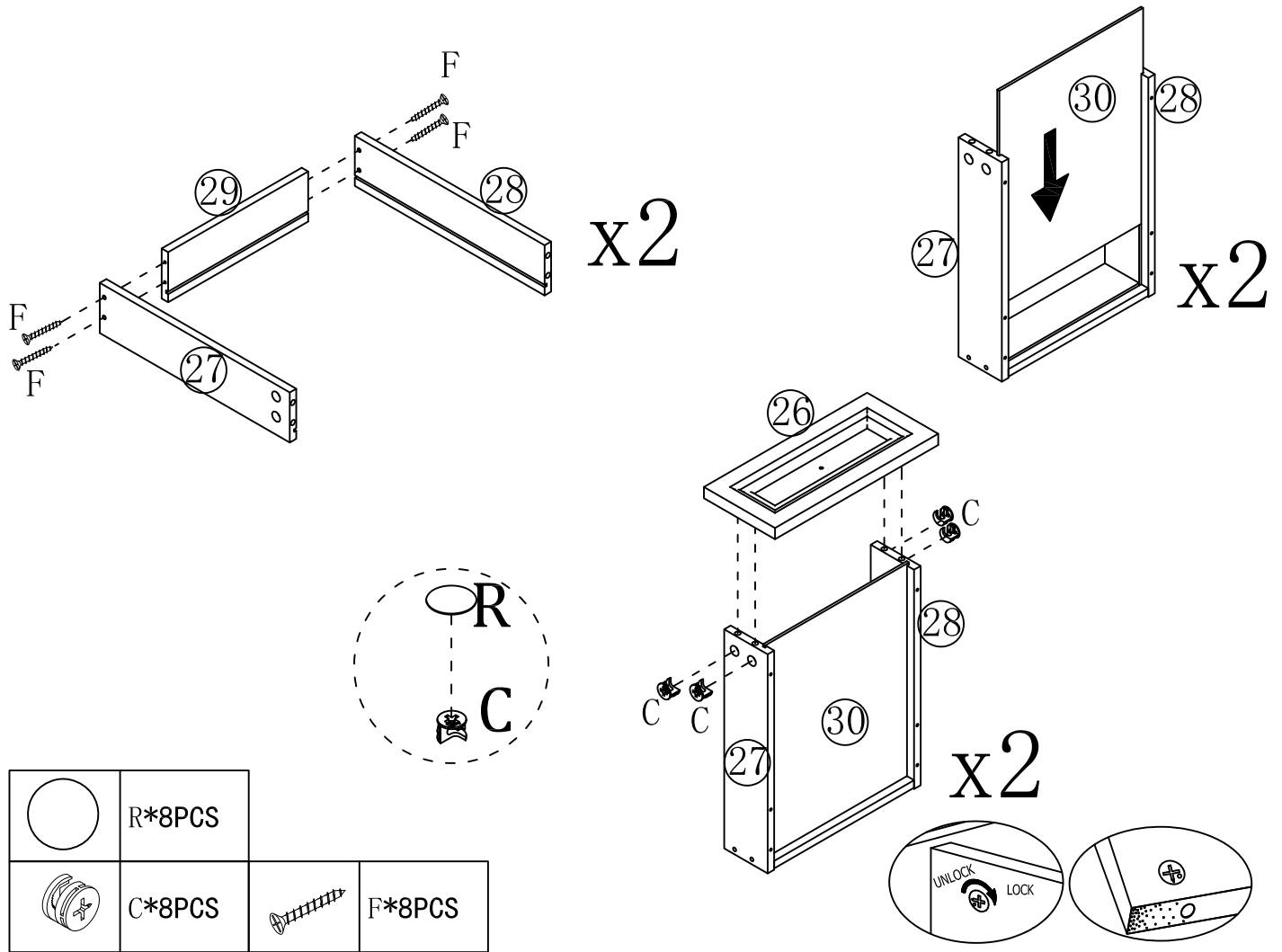
	A*1PCS		L*1PCS		P*2PCS
	M*1PCS		O*1PCS		S*4PCS

# STEP 34



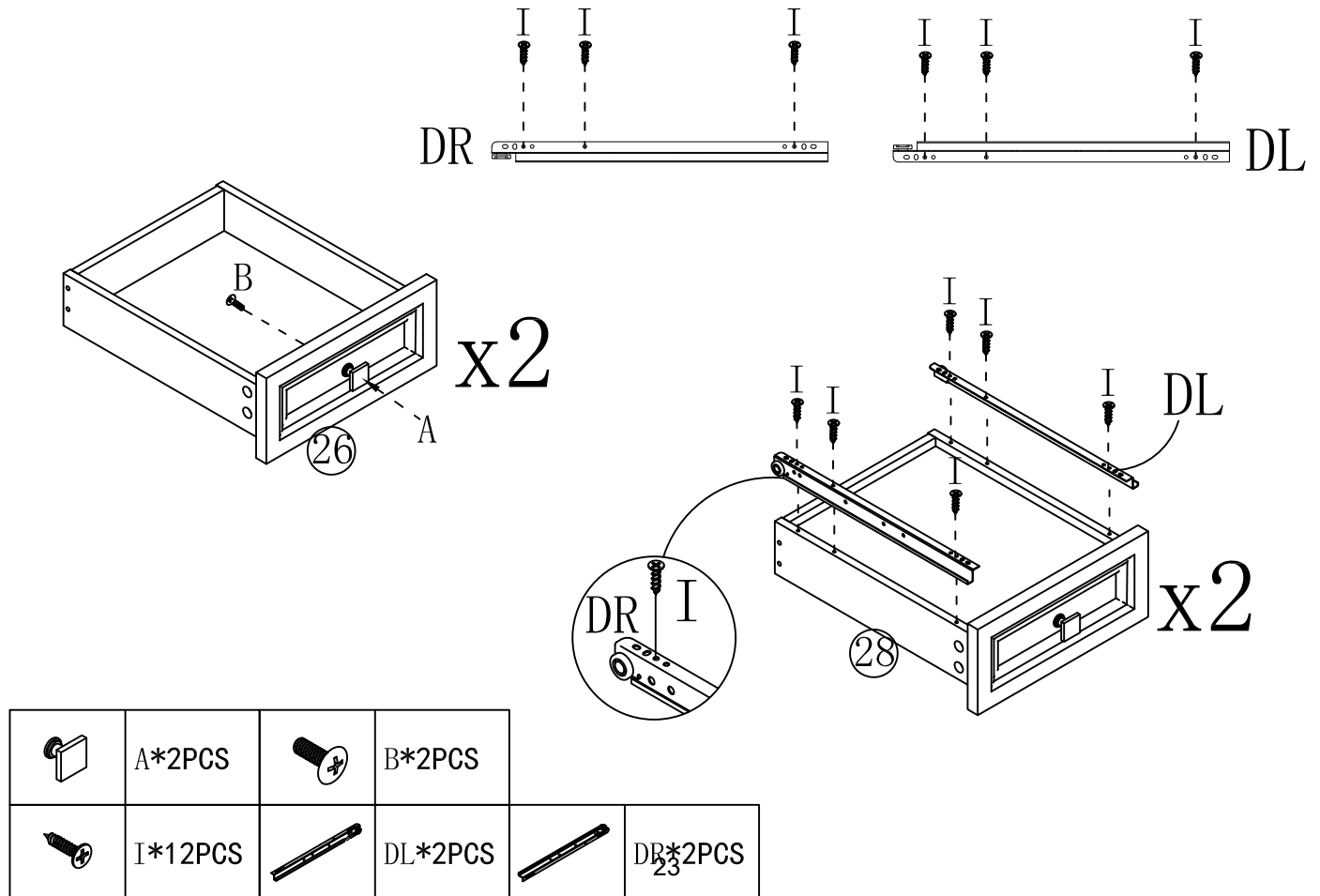
	S*8PCS
---	--------

# STEP 35



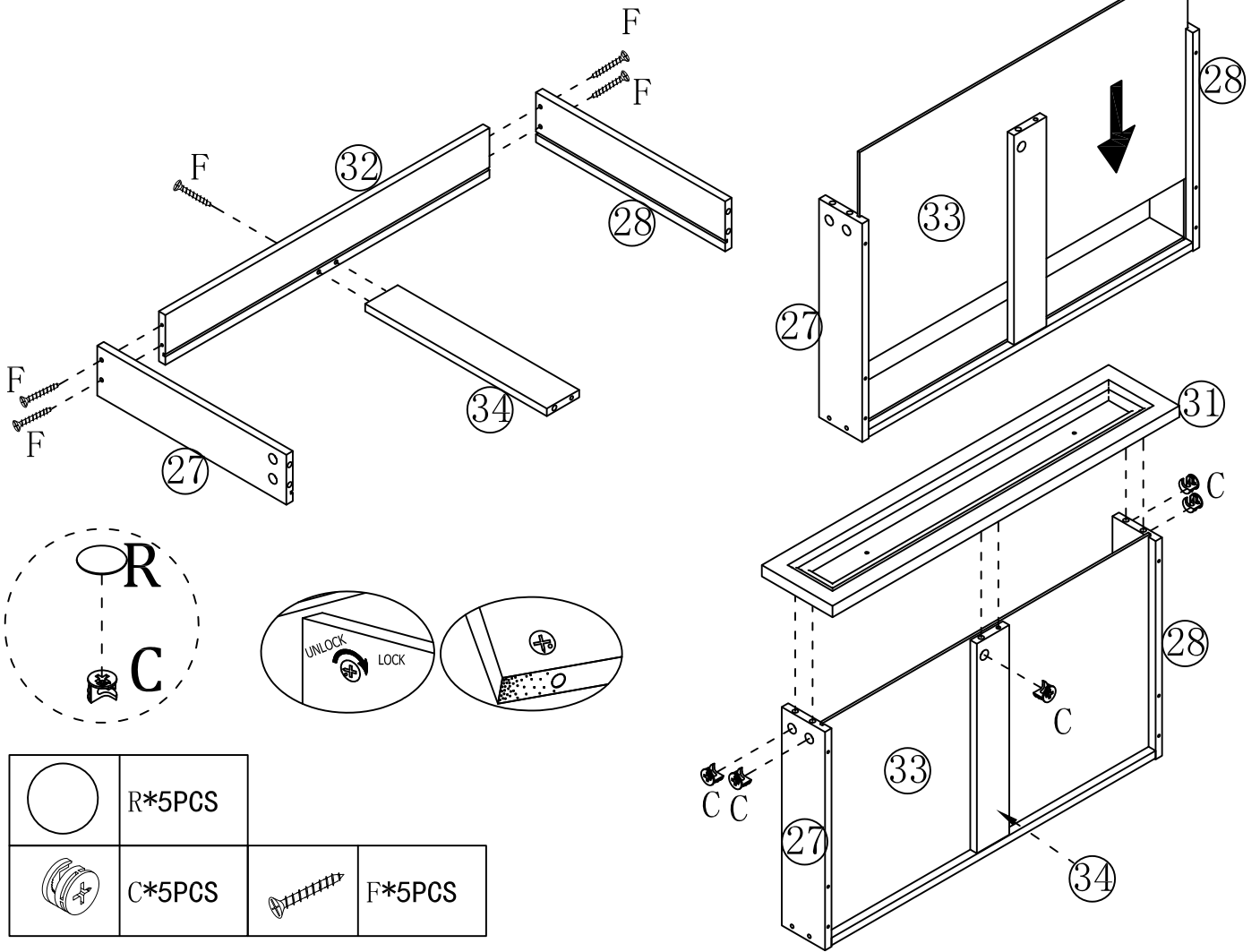
	R*8PCS		
	C*8PCS		F*8PCS

# STEP 36

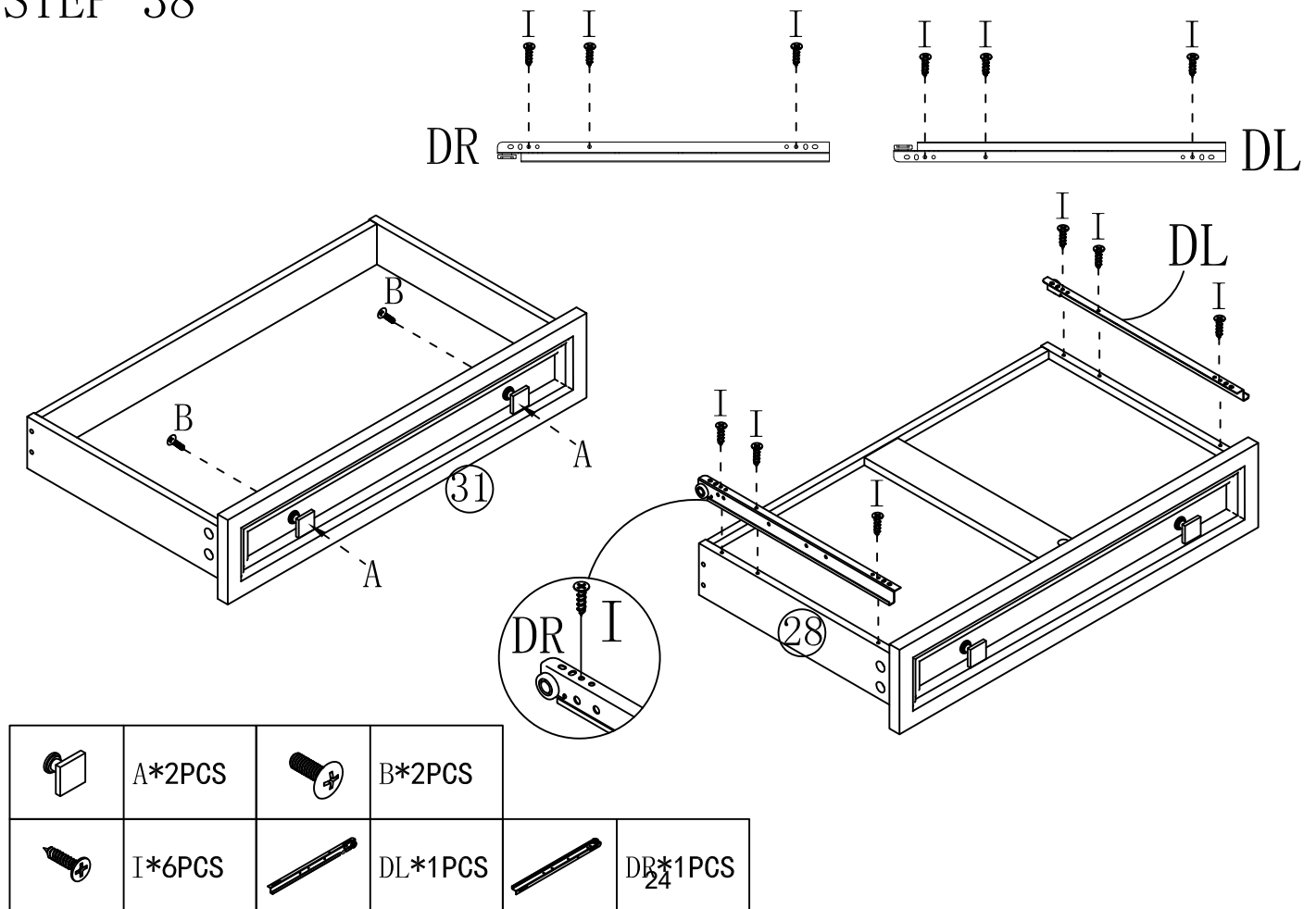


	A*2PCS		B*2PCS		
	I*12PCS		DL*2PCS		DR*2PCS

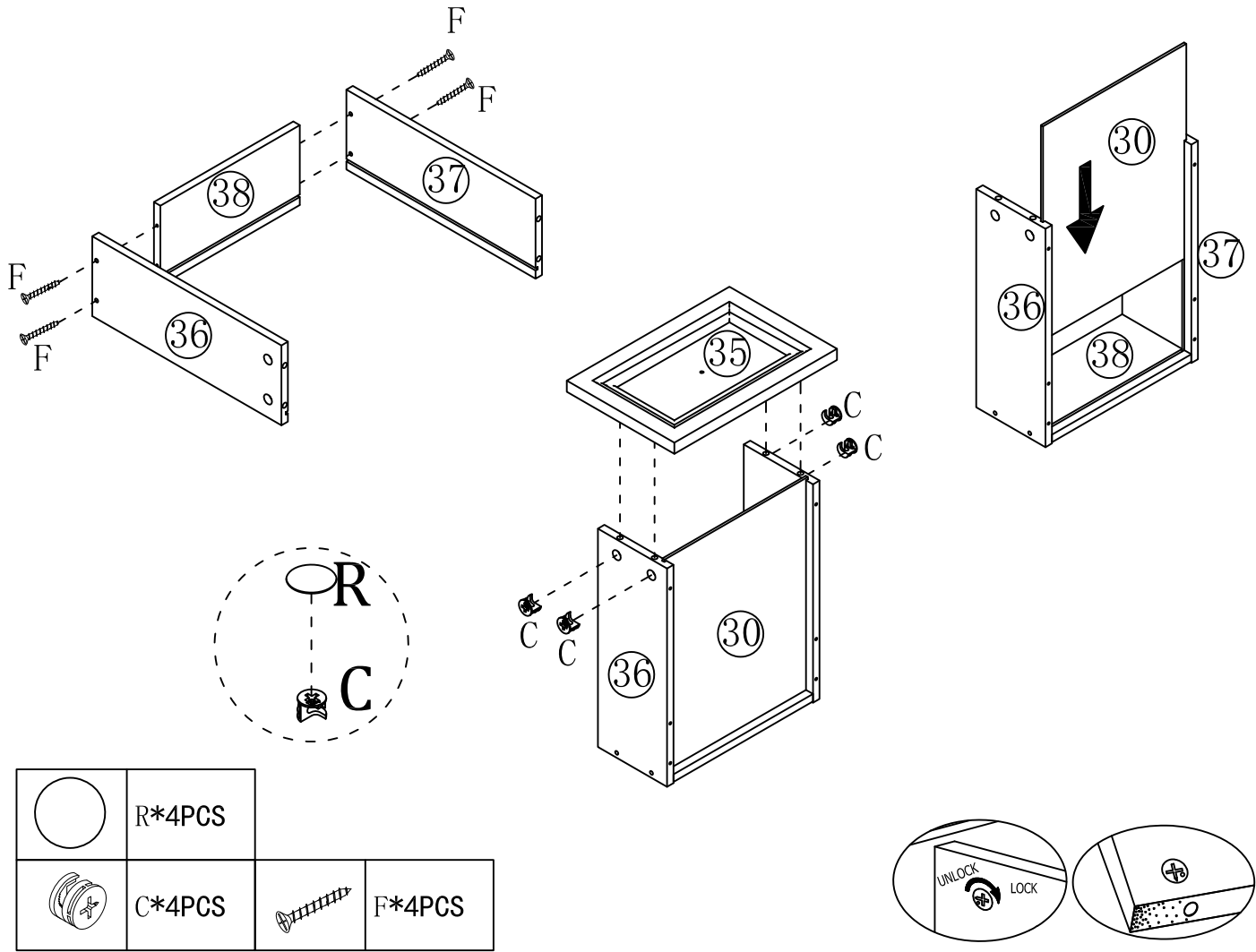
# STEP 37



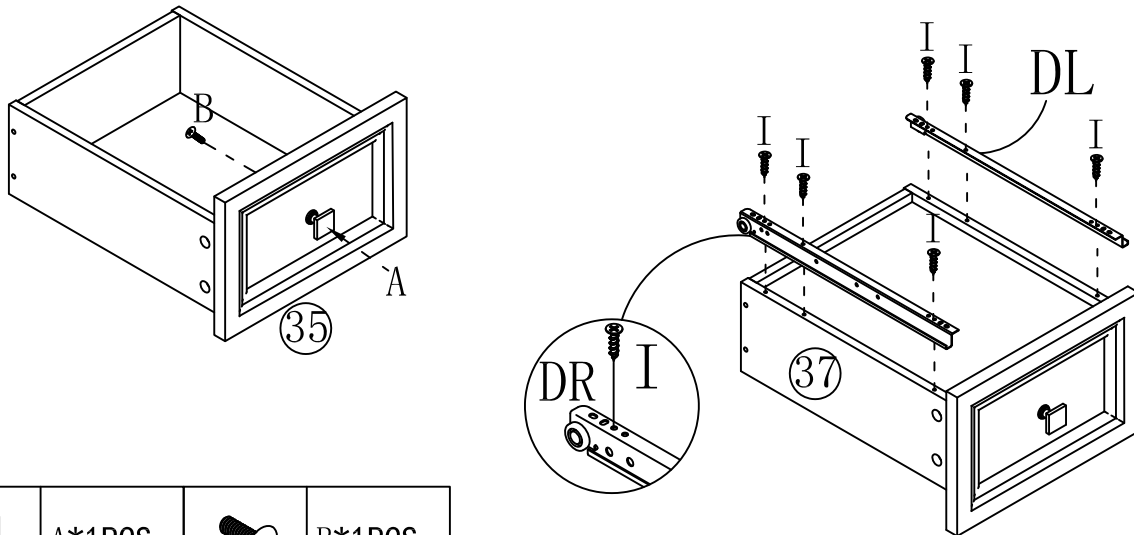
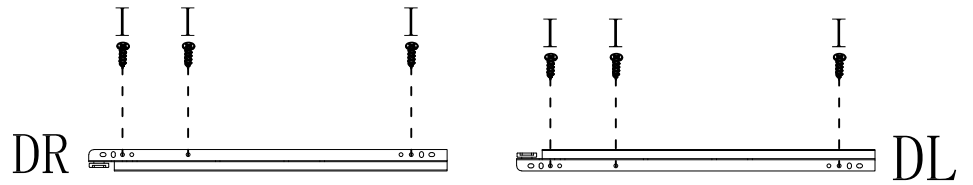
# STEP 38



# STEP 39

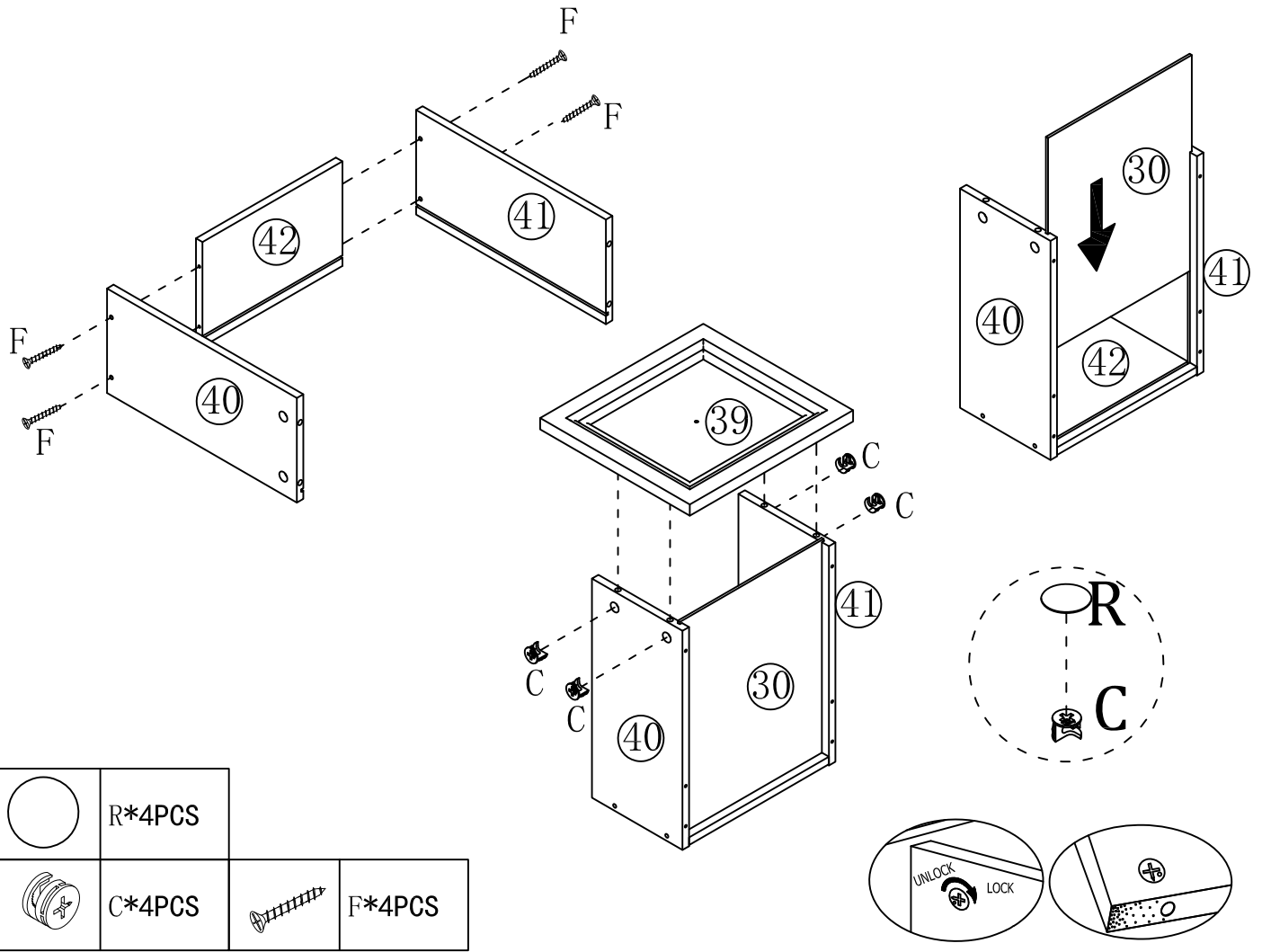


# STEP 40

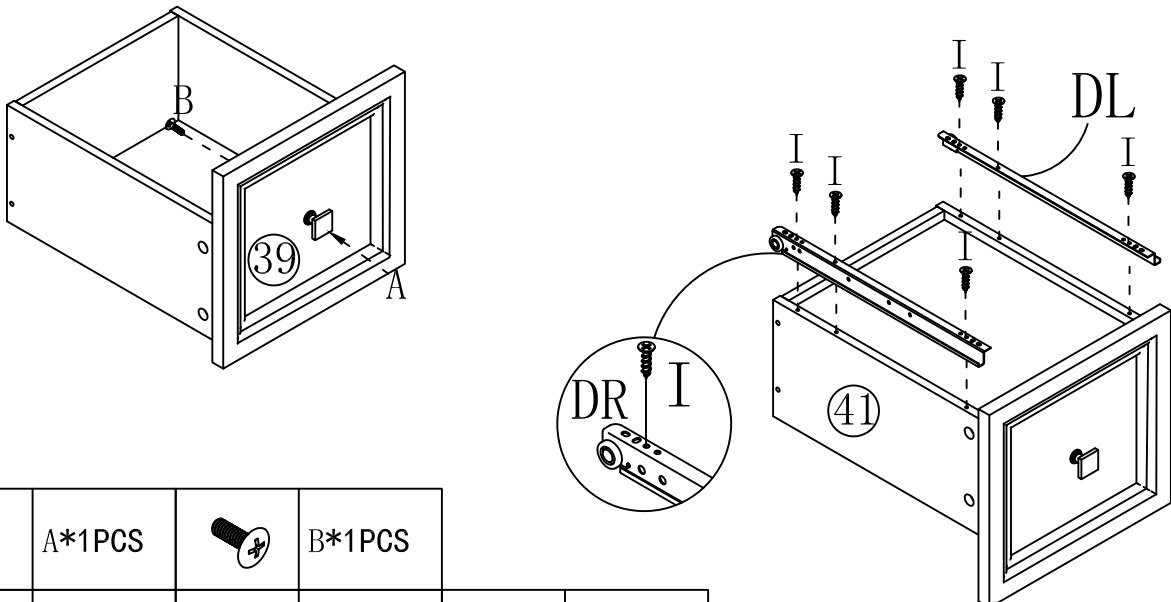
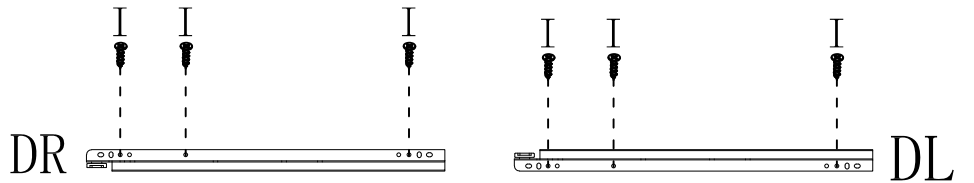


	A*1PCS		B*1PCS		
	I*6PCS		DL*1PCS		DR*1PCS

# STEP 41

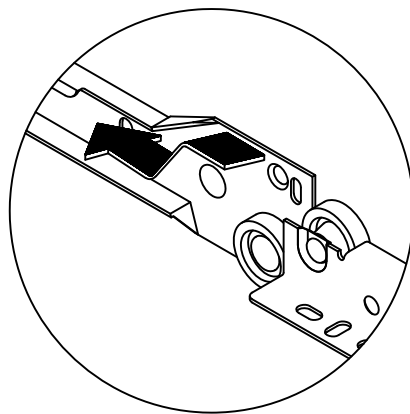
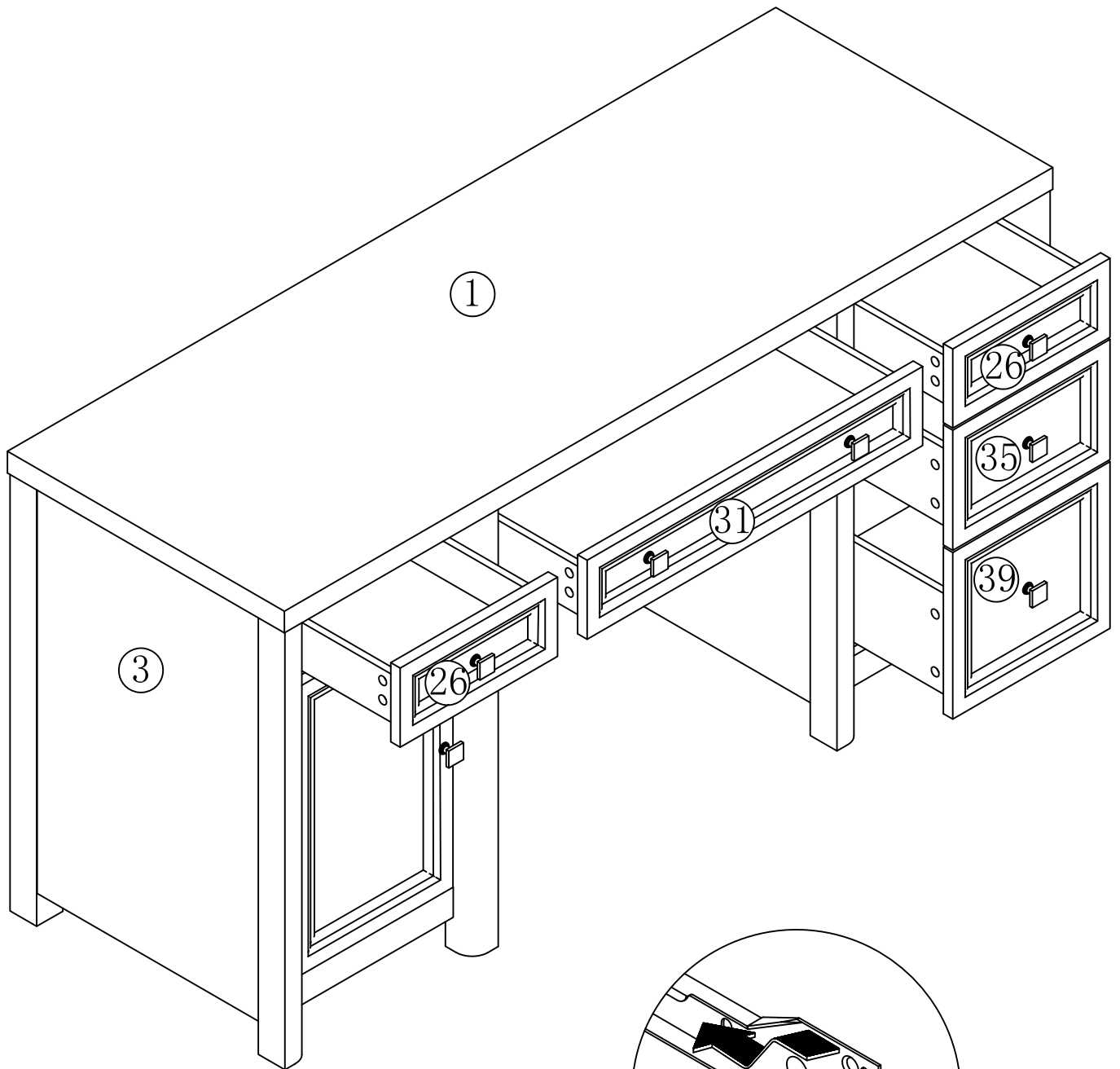


# STEP 42

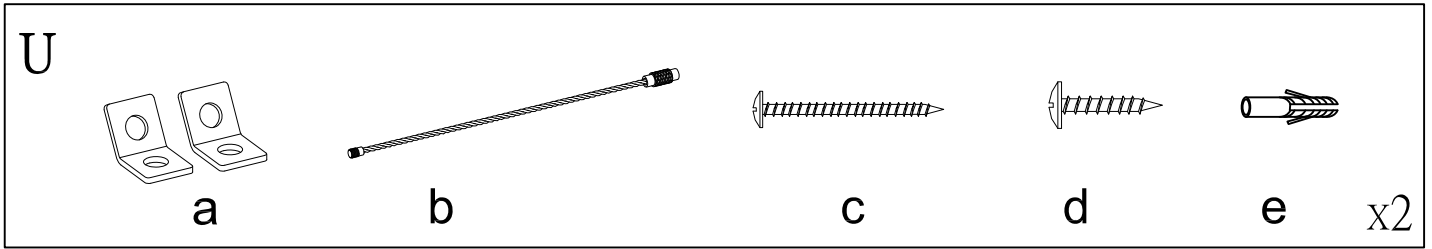


	A*1PCS		B*1PCS		
	I*6PCS		DL*1PCS		DR*1PCS

# STEP 43



# STEP 44



**WARNING**

Serious or fatal injuries can occur from furniture tipping over. To prevent the furniture from tipping over we recommend that it is permanently fixed to the wall. Wall anchor and hardware are included with this product. Please make sure hardware is suitable for your walls before installing, as different wall materials may require different types of anchors.

