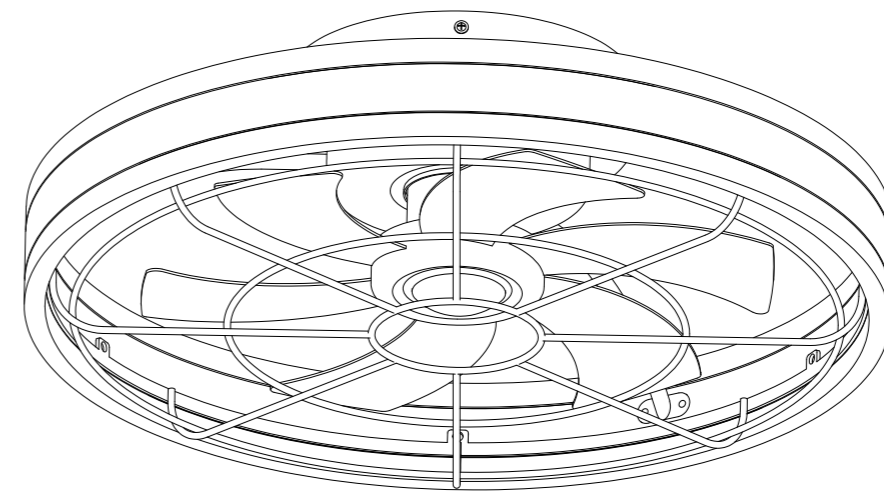


# INSTALLATION MANUAL

## CEILING FAN WITH LIGHTS

Model No.: LL-88623B-20X & LL-88623W-20X



APP Control Applicable

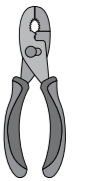


APP Control Applicable

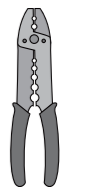
### TOOLS REQUIRED



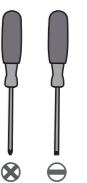
Ladder



Pliers

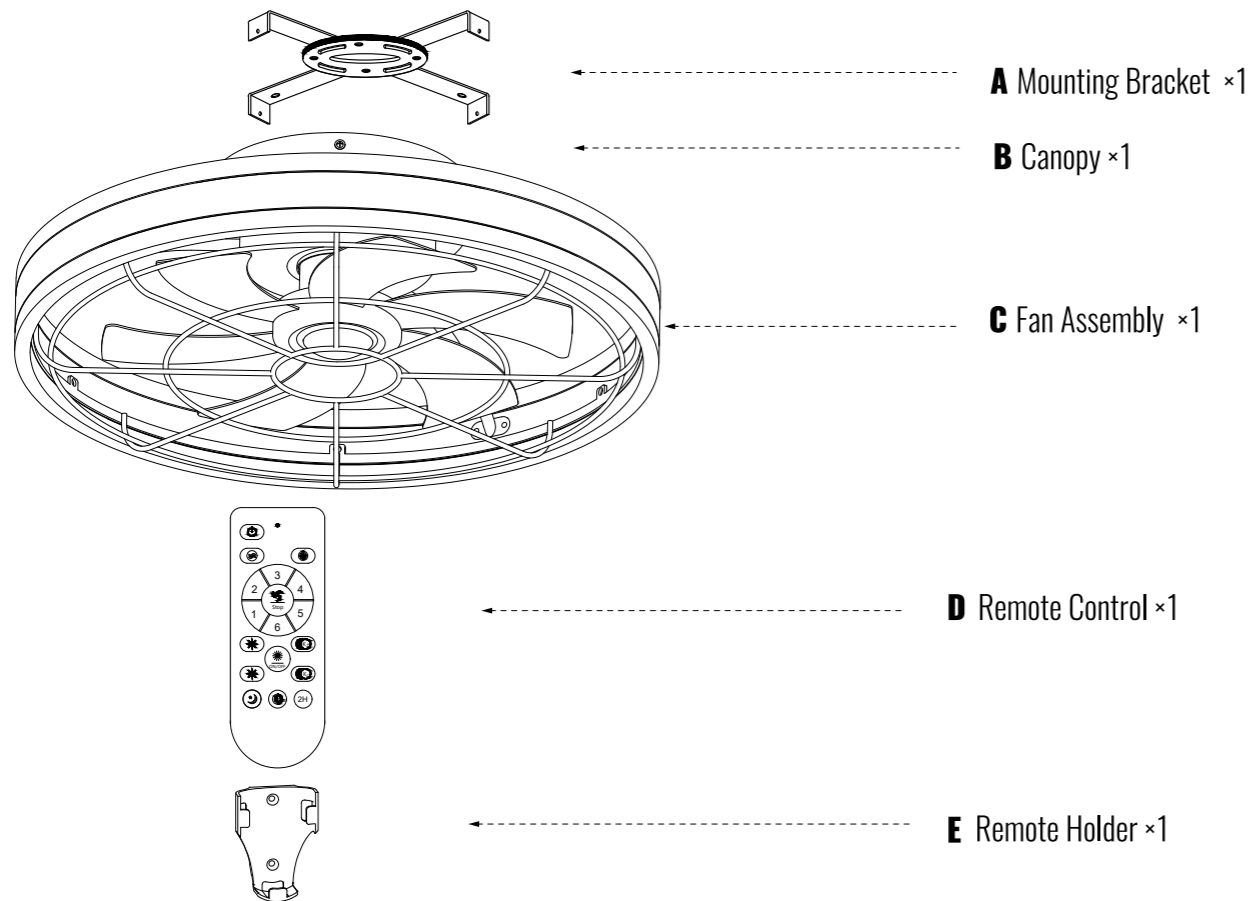


Wire  
Strippers

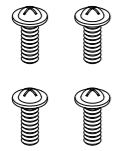
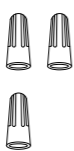


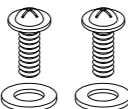



Screwdrivers

## PACKING LIST



## INSTALLATION KIT

<b>AA</b>	 Canopy Screw	4×	<b>BB</b>	 Wire Nut	3×	<b>CC</b>	 Gloves	1×
<b>DD</b>	 "S" hook	1×	<b>EE</b>	 Outlet Box Screw & Washer	2×	<b>FF</b>	 Wood Screw	4×

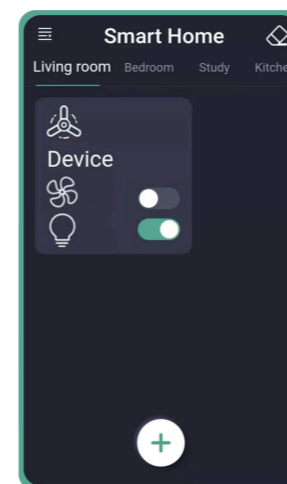
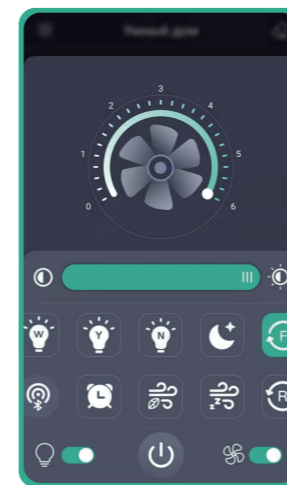
### Note:







1. Some extra hardware may be included. The quantity listed above is the number required for installation.
2. Parts "AA"/"A" have been installed with Canopy (B). They need to be disassembled before installation.

## APP CONTROL INSTRUCTIONS

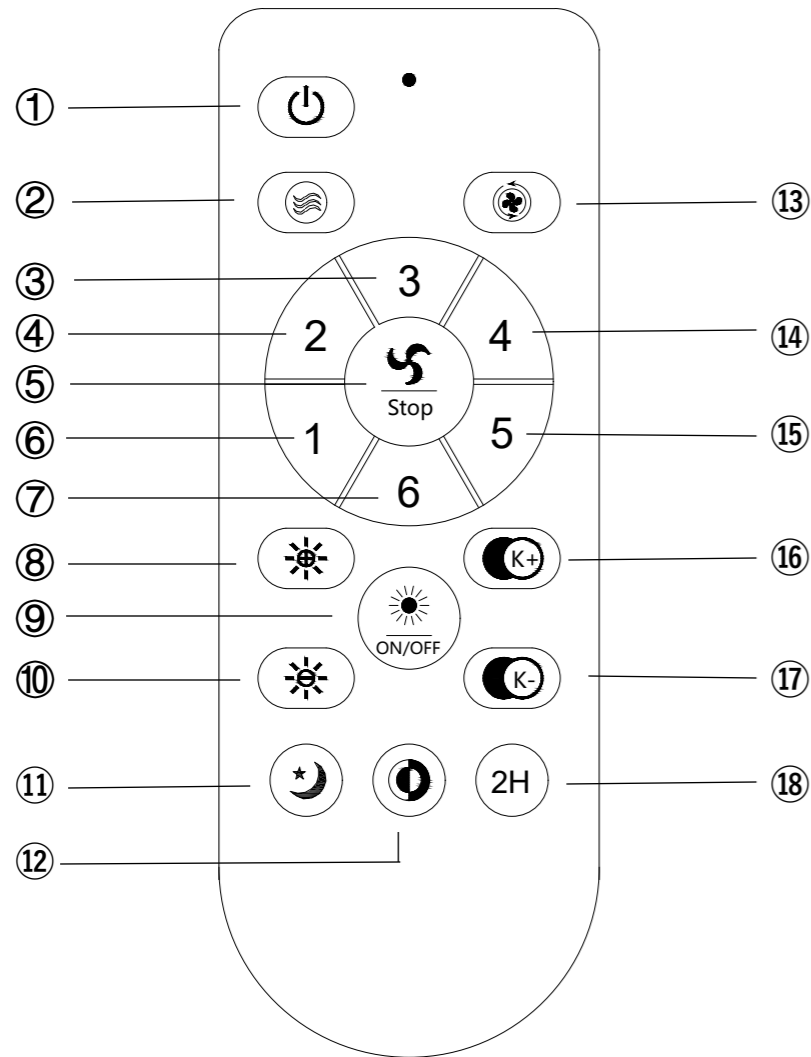


**NOTE:** Scan the QR code and install the APP in your phone, or search and install "FanLamp Pro" from Google Play, Apple App and other APP stores.  
Make sure your phone is connected to the internet and bluetooth enabled.



-  Pair button. Click it within 5 seconds after the fan is powered on from wall switch. After the fan flashes or beeps, it has been successfully paired with the phone, it can be controlled through it.
-  Slide to change the fan speed.
-  Slide to change the brightness of the light.
-  Quick switch for "White" light color. (Not supported)
-  Quick switch for "Yellow" light color. (Not supported)
-  Quick switch for "Natural" light color. (Not supported)
-  Night mode: Dim the lights. (Not supported)
-  Fan moves forward.
-  Fan moves reversely.
-  Change the direction of the wind. (Not supported)
-  Timing the fan.
-  Natural wind: The fan speed will change automatically when you use this function.
-  Sleeping wind. (Not supported)
-  Turn on/off the light.
-  Turn on/off the fan.
-  Unpairing: Click the unpair button within 5 seconds after turning on the fan. Once the fan flashes or beeps, it has been successfully unpaired from your phone.

## REMOTE CONTROL INSTRUCTIONS



### NOTE:

Please insert 2 batteries before using. AAA  
1.5V battery x 2pcs (not included)

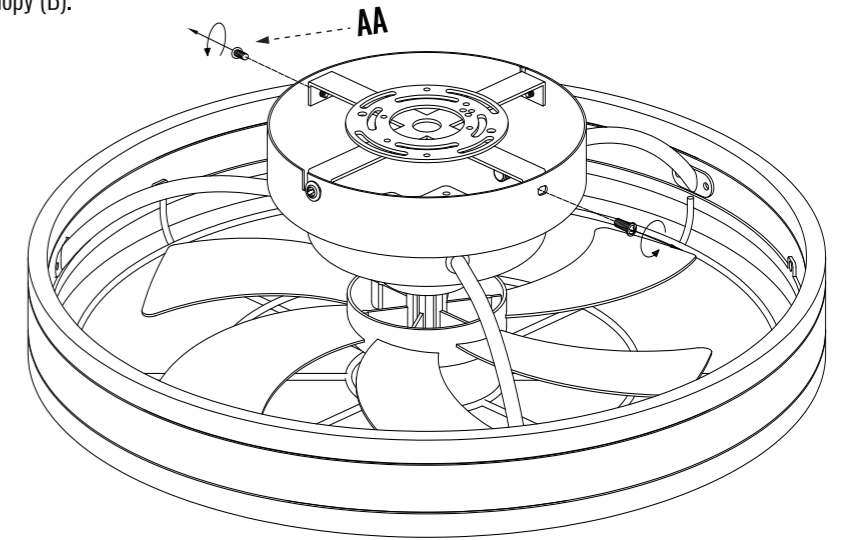
- ①: Turn off the light / fan.
- ②: Natural wind, fan speed will change automatically with this function.
- ③④⑥⑦⑭⑮: Turn on the fan / fan speed.
- ⑤: Turn off the fan.
- ⑧⑩: Adjust the brightness of the light.
- ⑨: Turn on / off the light.
- ⑪: Night mode, dim the lights.
- ⑬: Timing the fan.
- ⑫: Quick switch of the light color: warm white→cool white→daylight white.
- ⑬: Fan moves forwards or reversely.
- ⑯⑰: Adjust the light color temperature.

Signal Pairing: If the remote control loses signal of the fan, press and hold the button ⑨ at the very beginning after it's turned on from wall switch. After the fan light flashes or beeps, it's done.

## INSTALLATION

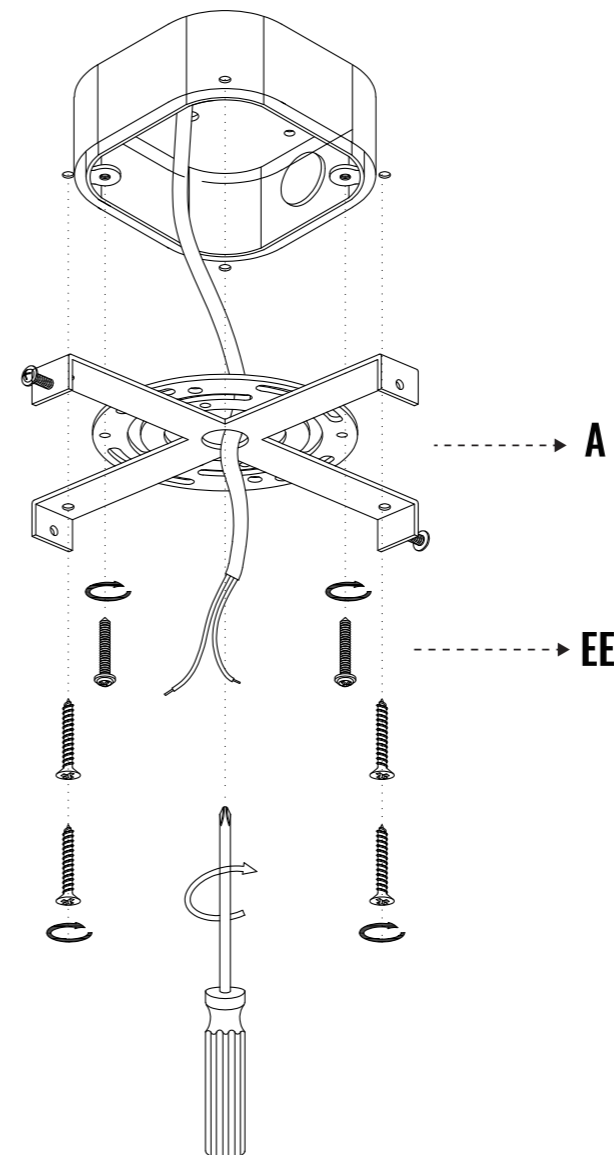
### 1. Separating Mounting Bracket

Step 1. Loosen and remove the Canopy Screws (AA) from the round holes, and loosen the Canopy Screws (AA) in the "L" holes but do not remove them.  
Step 2. Take out the Mounting Bracket (A) from the Canopy (B).



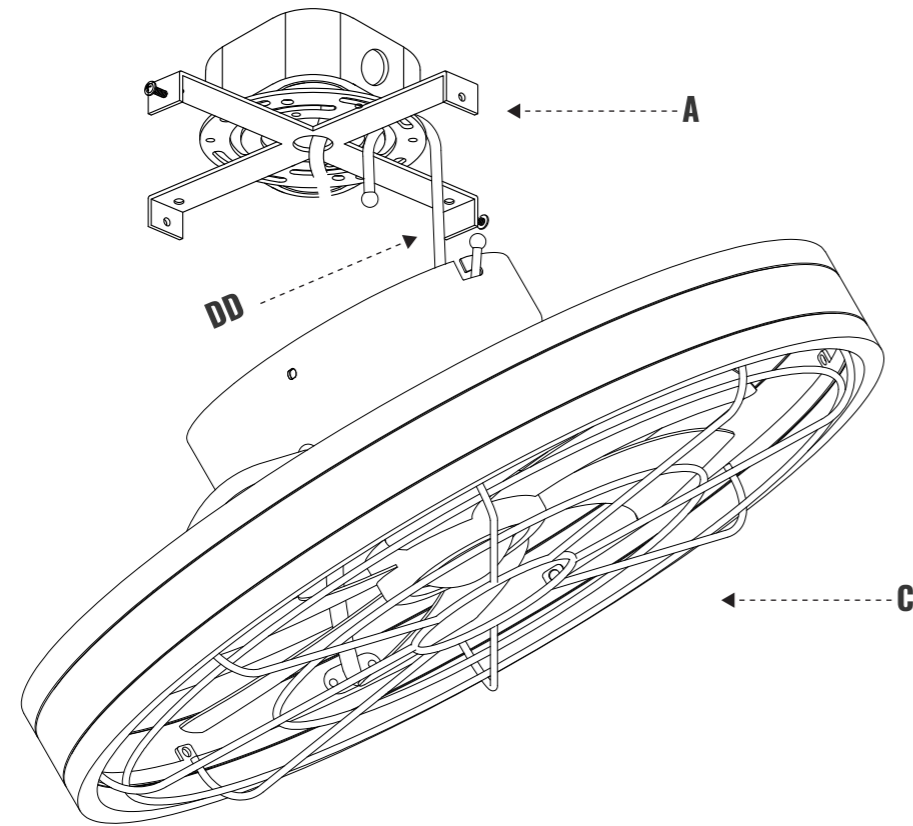
### 2. Installing the Mounting Bracket

Take off the screws from the outlet box, and secure the Mounting Bracket (A) onto the box with the screws taken off or Outlet Box Screw & Washer (EE).



### 3. Hanging

Hang the Fan Assembly (C) onto the Mounting Bracket (A) with "S" hook (DD).

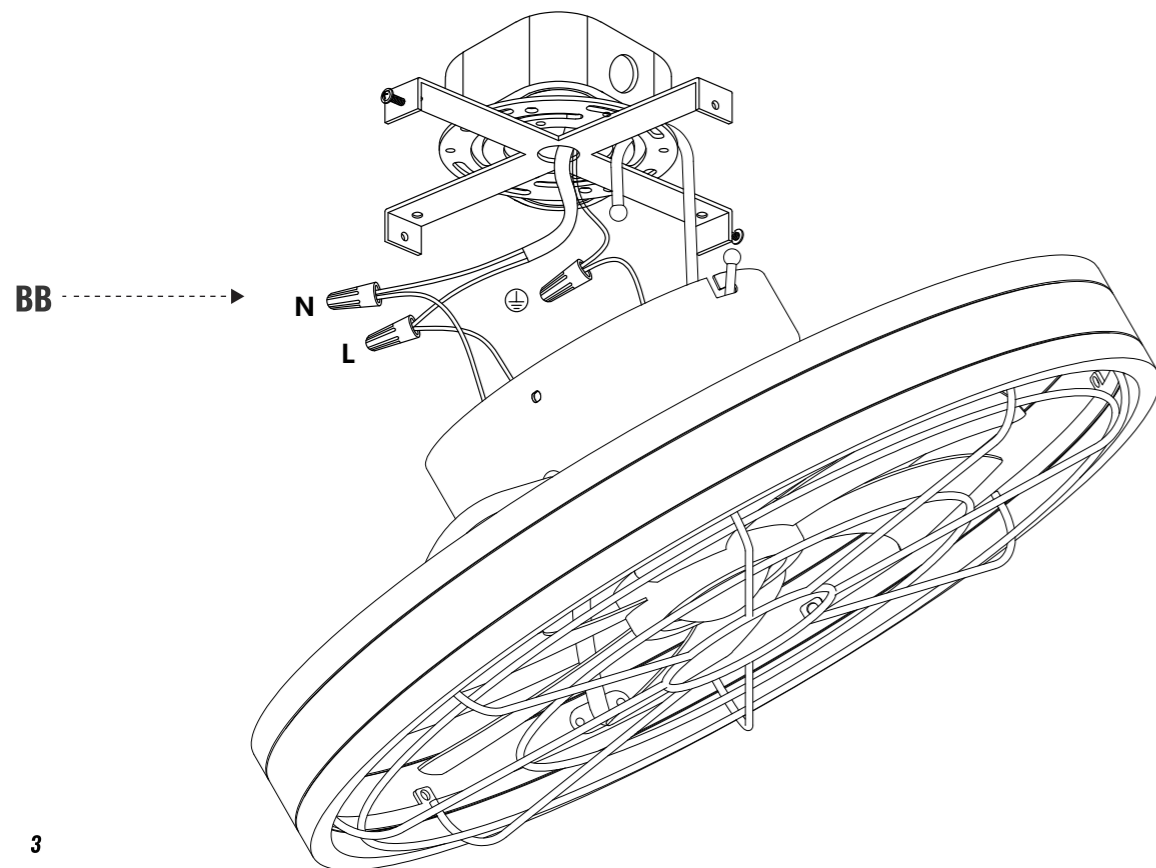


### 4. Wiring

Step 1: Wrap the ground wire from the outlet box around the Ground Screw on the Mounting Bracket (A), and then connect the ground wire from the fixture to the ground wire from the outlet box.

Step 2: Connect the wires with the Wire Nut (BB) from the fixture to the house supply wires, neutral (white) to neutral wire, and hot (black) to hot wire.

Step 3: Spread apart the wires so that the hot wires are on one side of the outlet box and the neutral wires are on the other.



### 5. Attach the Canopy

Step 1: Take away the "S" hook (DD).

Step 2: Align the "L" slots from the Canopy (B) to the Canopy Screws (AA) on the mounting bracket (A).

Step 3: Rotate the canopy (B) to lock it onto the Mounting Bracket (A). Tighten the Canopy Screws (AA).

