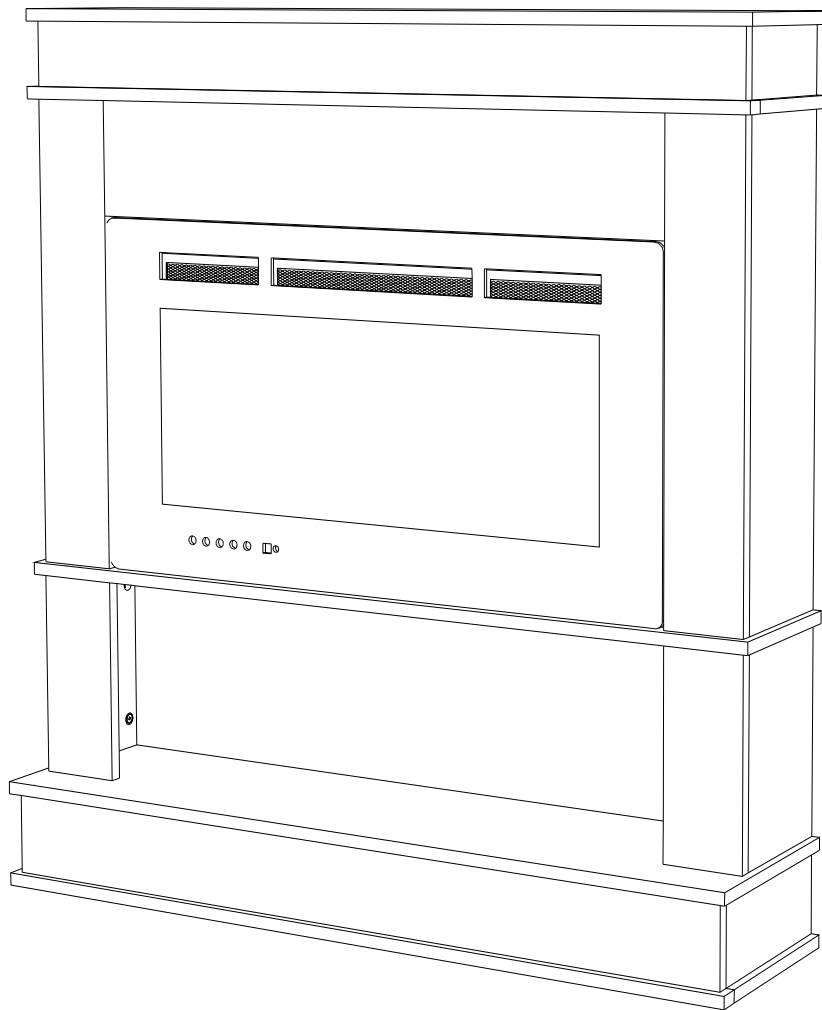
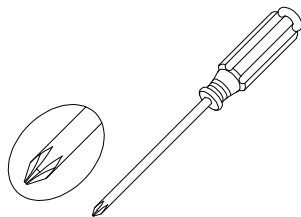


INSTRUCTION MANUAL



GENERAL ASSEMBLY GUIDELINES

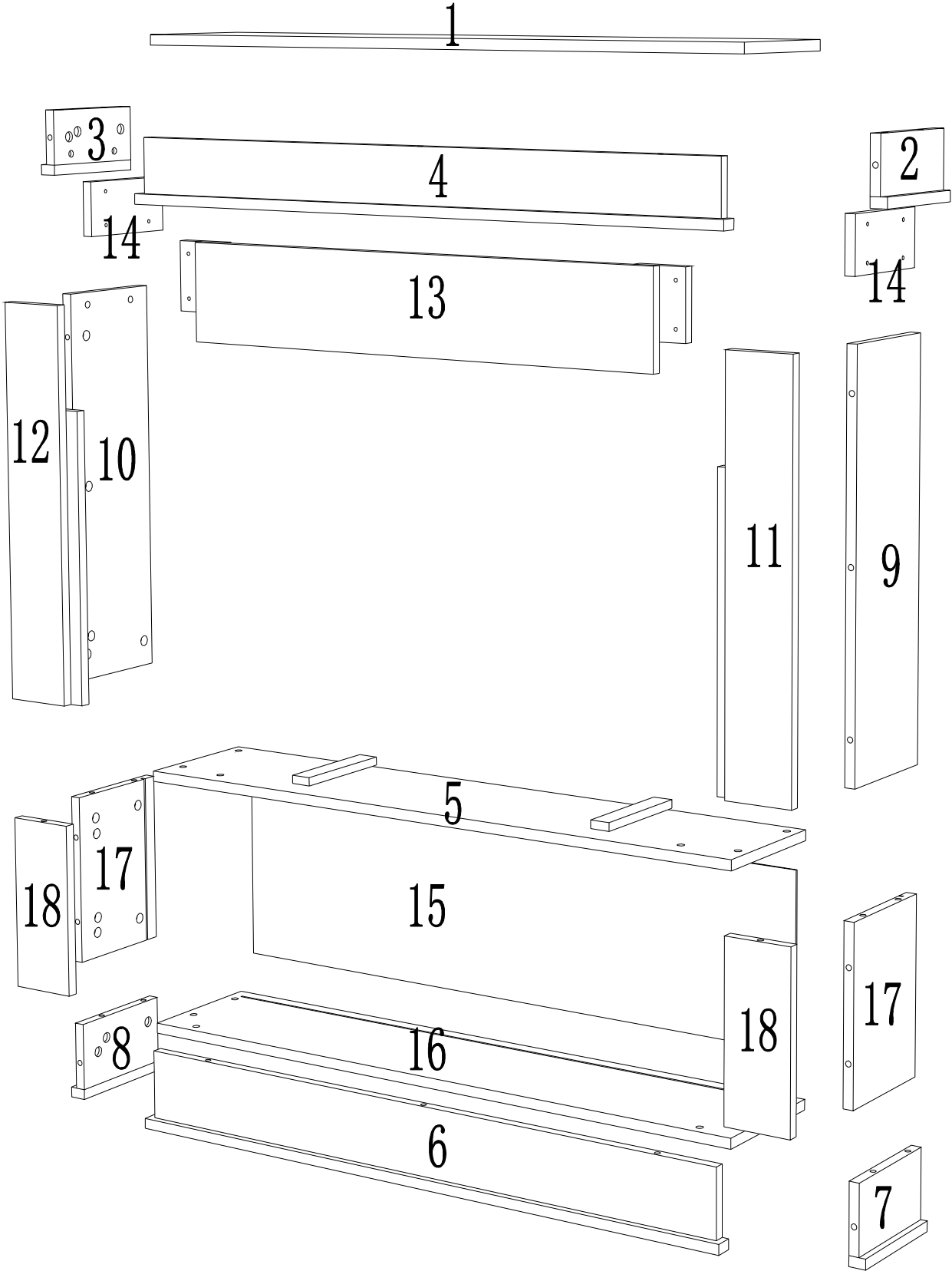
- I. Ensure that all parts and hardware are available before beginning assembly.
- II. Follow each step carefully to ensure the proper assembly of this product.
- III. Two people are recommended for ease in the assembly of this product.
- IV. A Phillips head screwdriver is required for the assembly of this product.



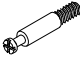


DO NOT RETURN!

Please contact our customer service team for help first.

PARTS LIST

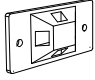
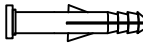
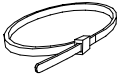
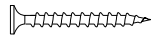



ACCESSORIES LIST

A			CAM LOCK	48 PCS
B			CAM LOCK	48 PCS
C		Ø6*25	BOLT	14 PCS
D			SHIM	14 PCS
E		Ø4*12	SCREW	4 PCS


*The hardware quantities listed above are required for proper assembly,
Some extra hardware may also have been included.*

ANTI-TIP KIT

PART	IMAGE		DESCRIPTION	QTY
AA			MOUNTING BRACKET	2 PCS
AB			Anchor	2 PCS
AC			Nylon strap	1 PCS
AD	+ 	Ø4*15	Flat head screw	2 PCS
AE	+ 	Ø4*30	Flat head screw	2 PCS

*The hardware quantities listed above are required for proper assembly,
Some extra hardware may also have been included.*

Fig 1

A  x7

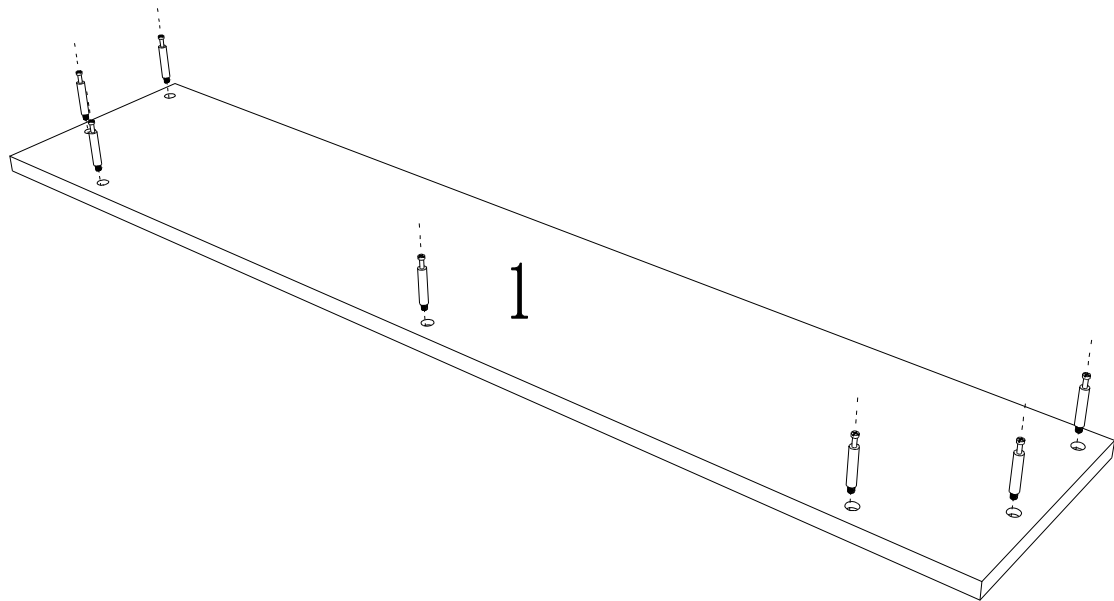



Fig 2

A  x2

B  x2

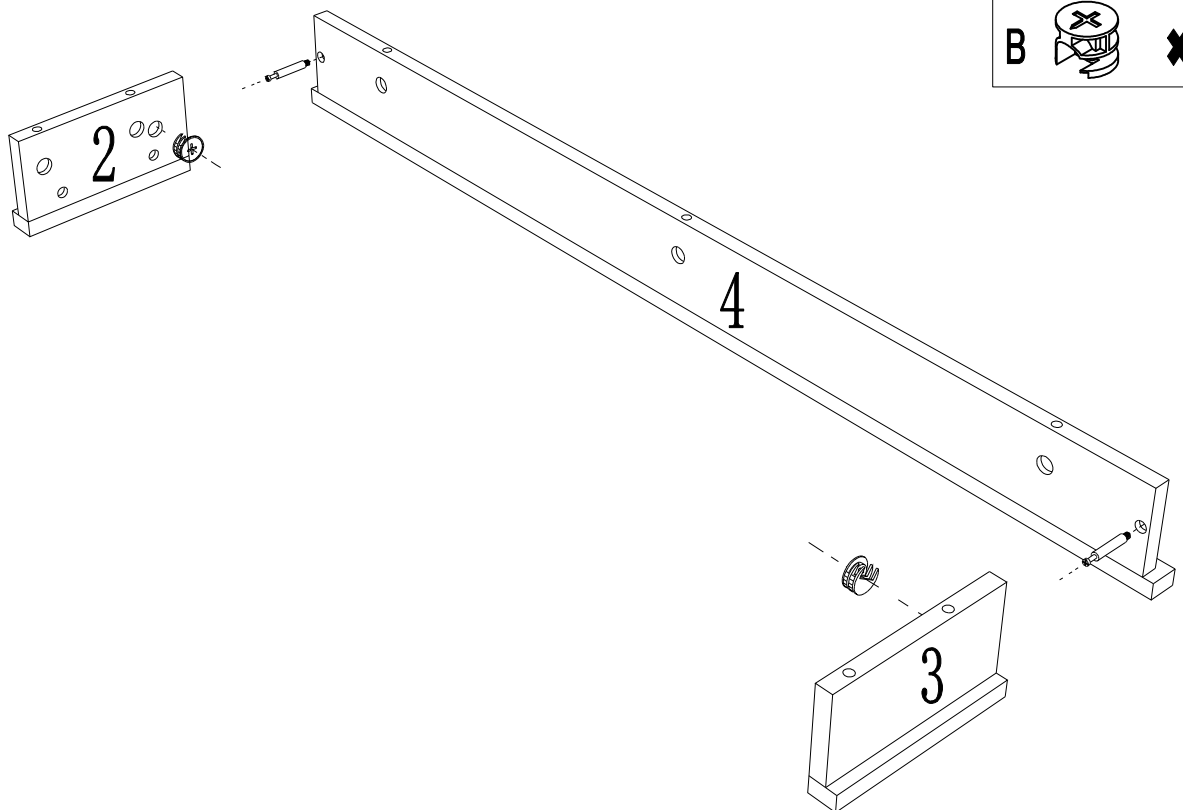


Fig 3

B  7

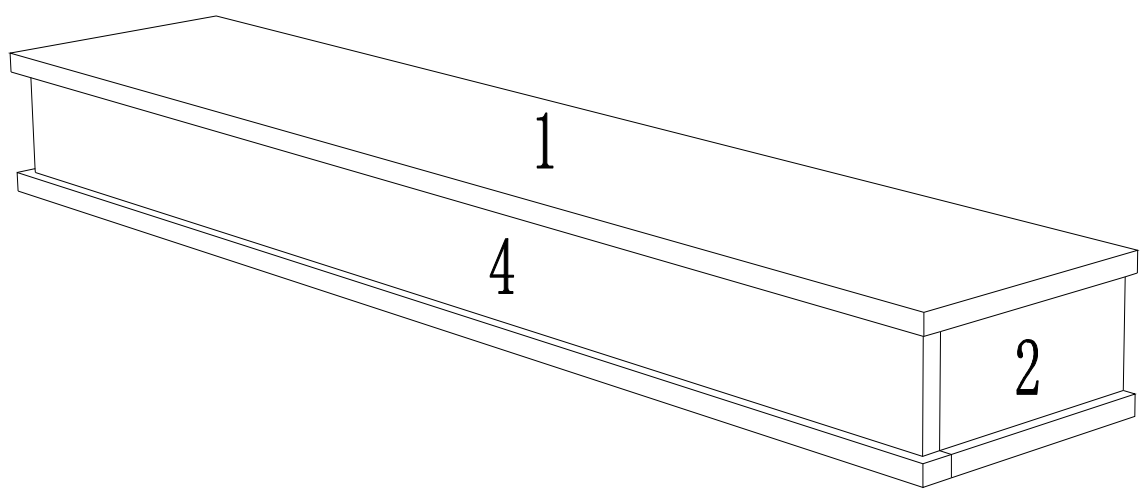
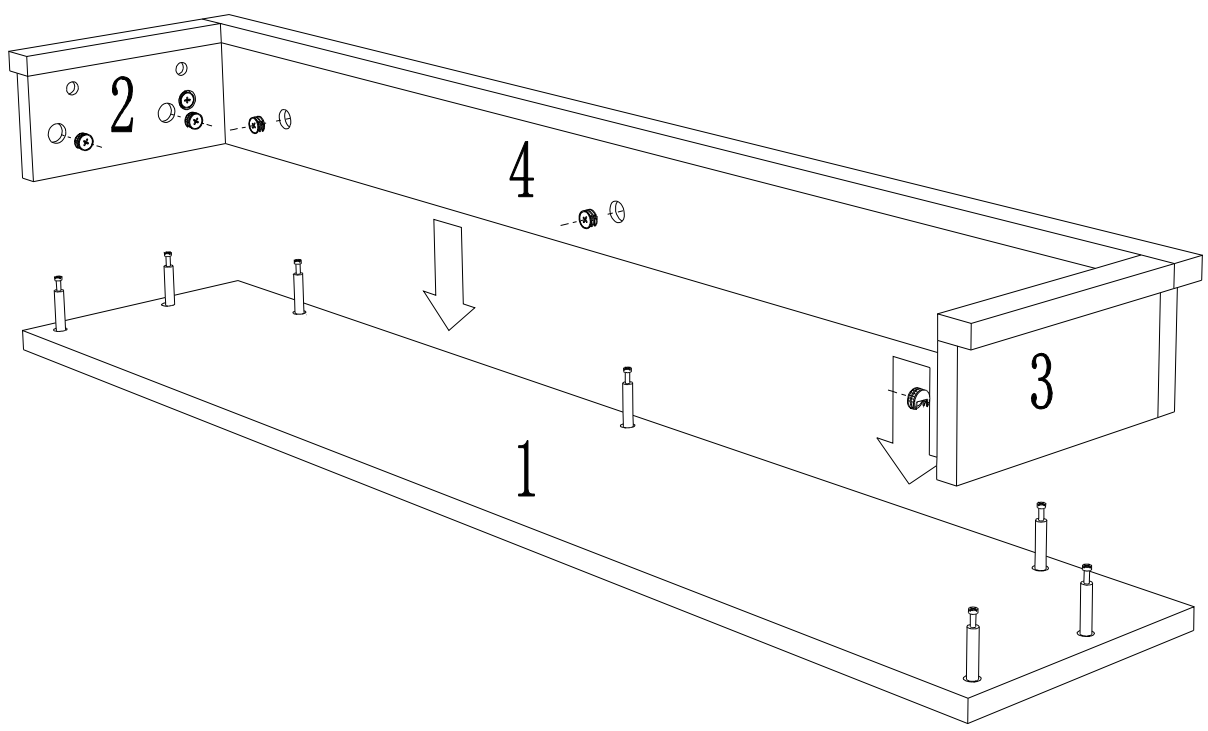




Fig 4

- A  x2
- B  x2

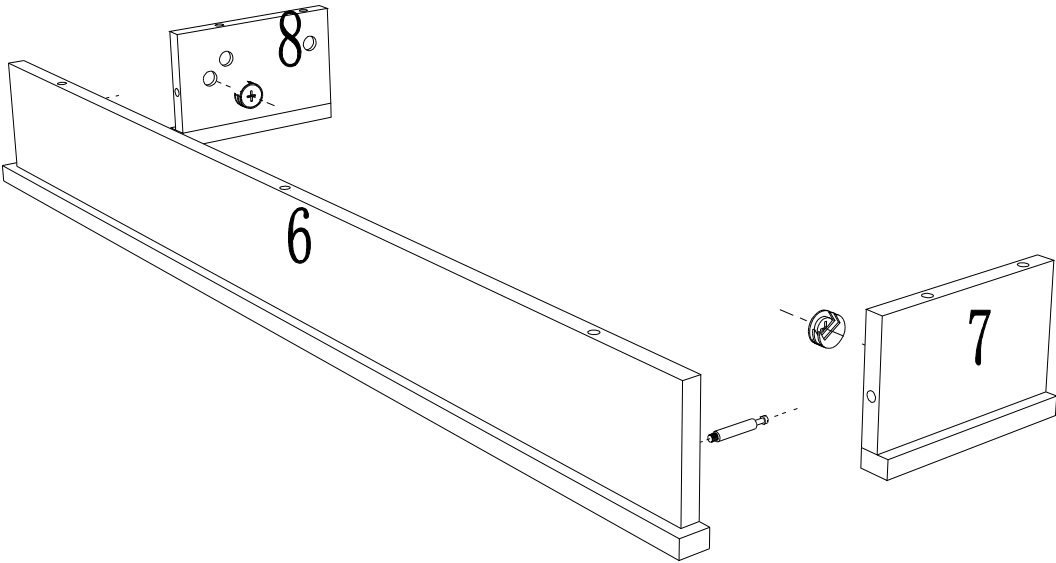


Fig 5

- A  x13

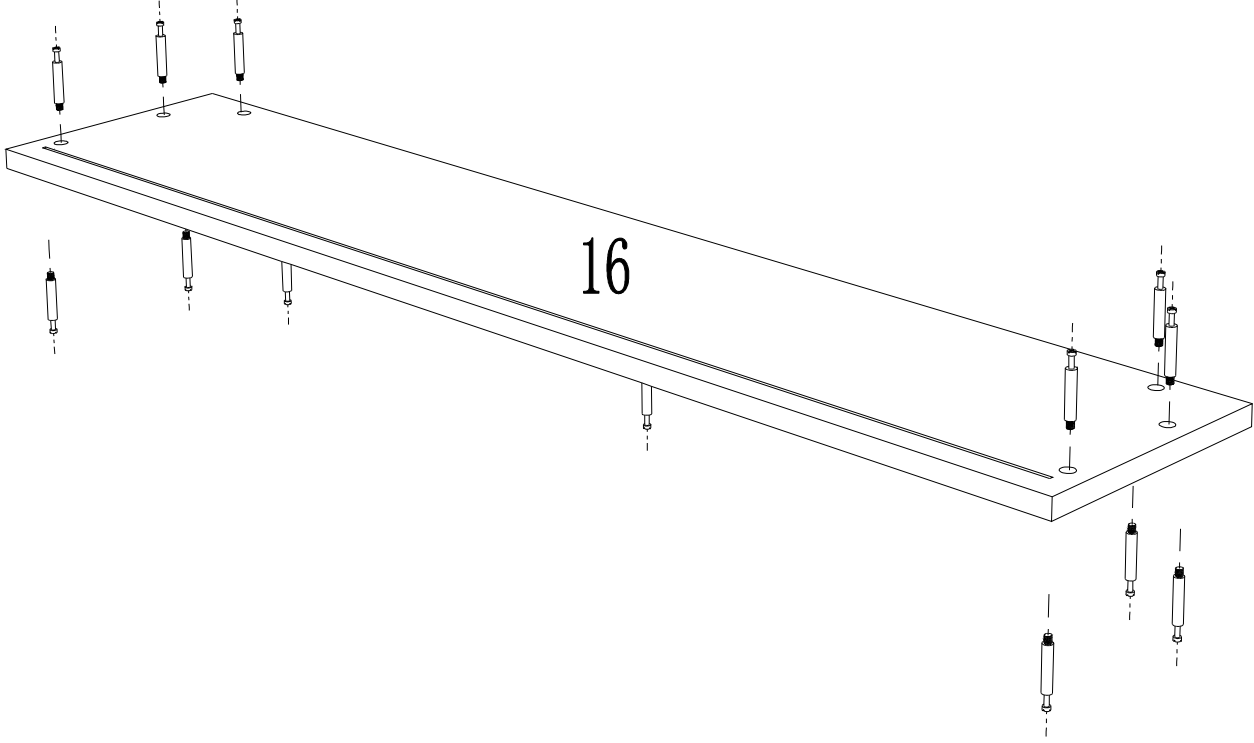


Fig 6

B  7

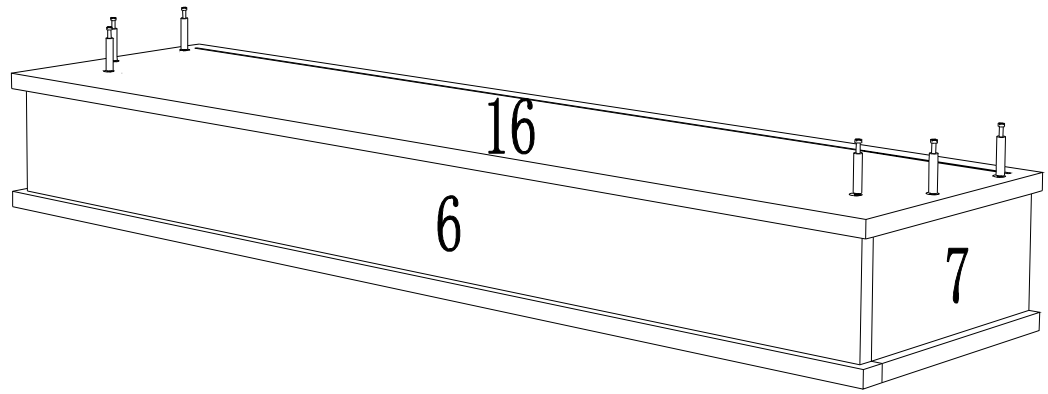
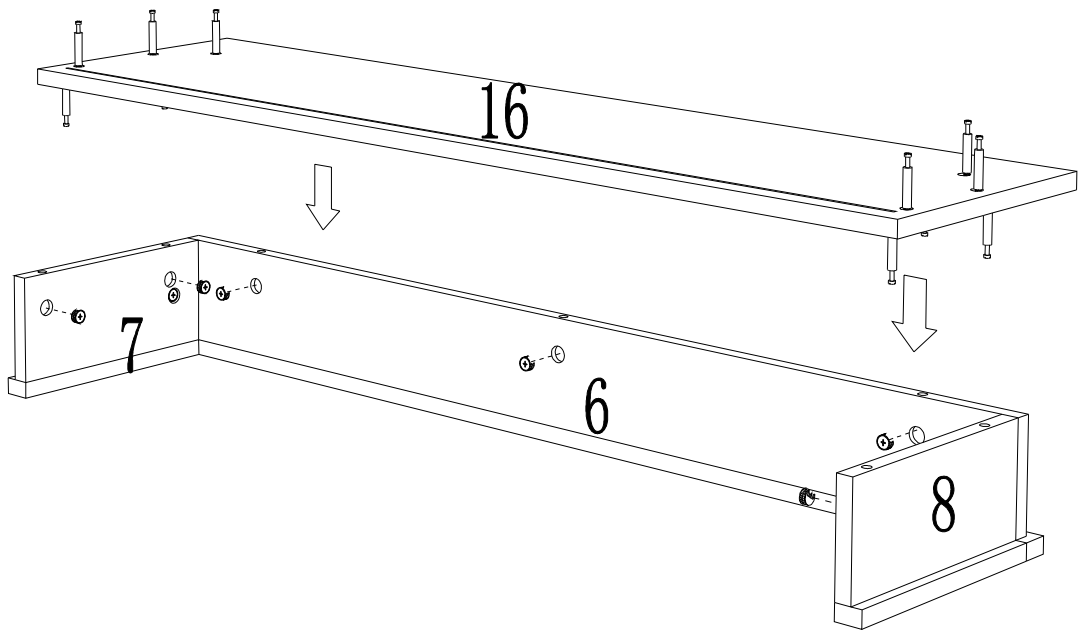


Fig 7

A  ×4

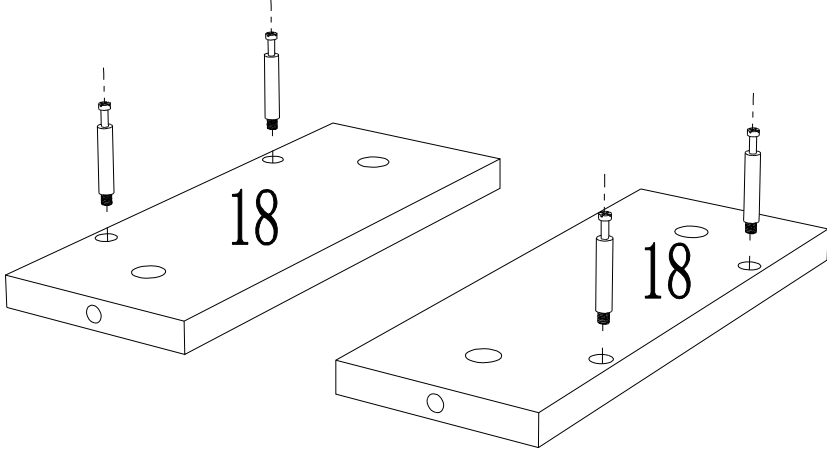


Fig 8

B  ×4

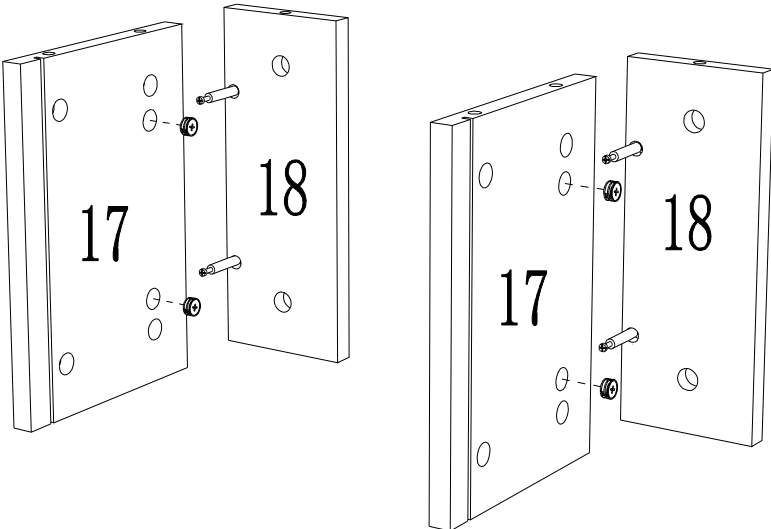


Fig 9

A  ×12

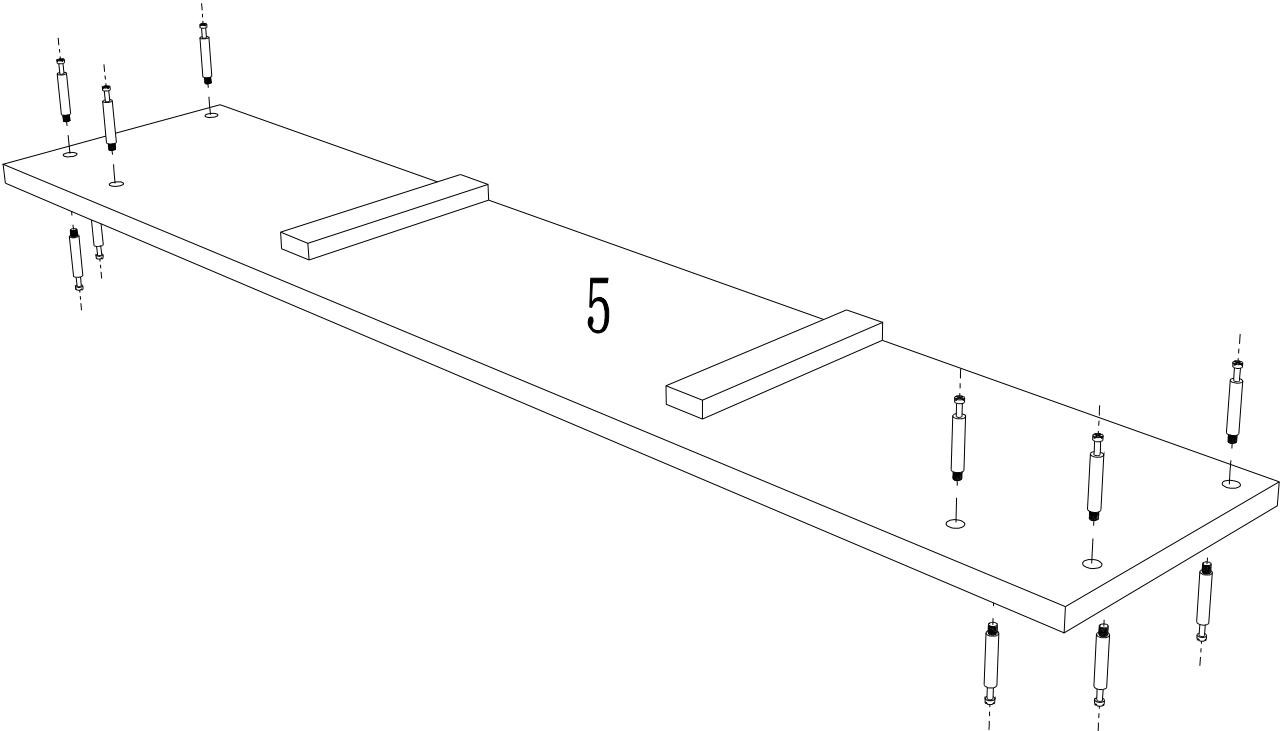


Fig 10

B  ×4

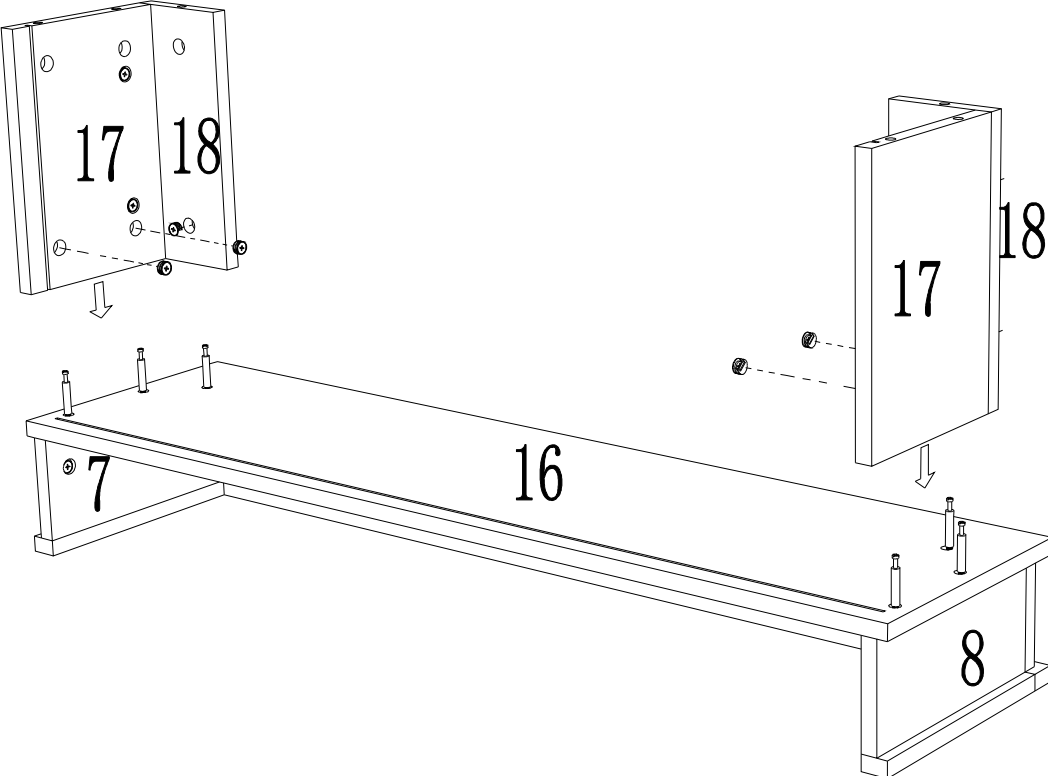


Fig 11

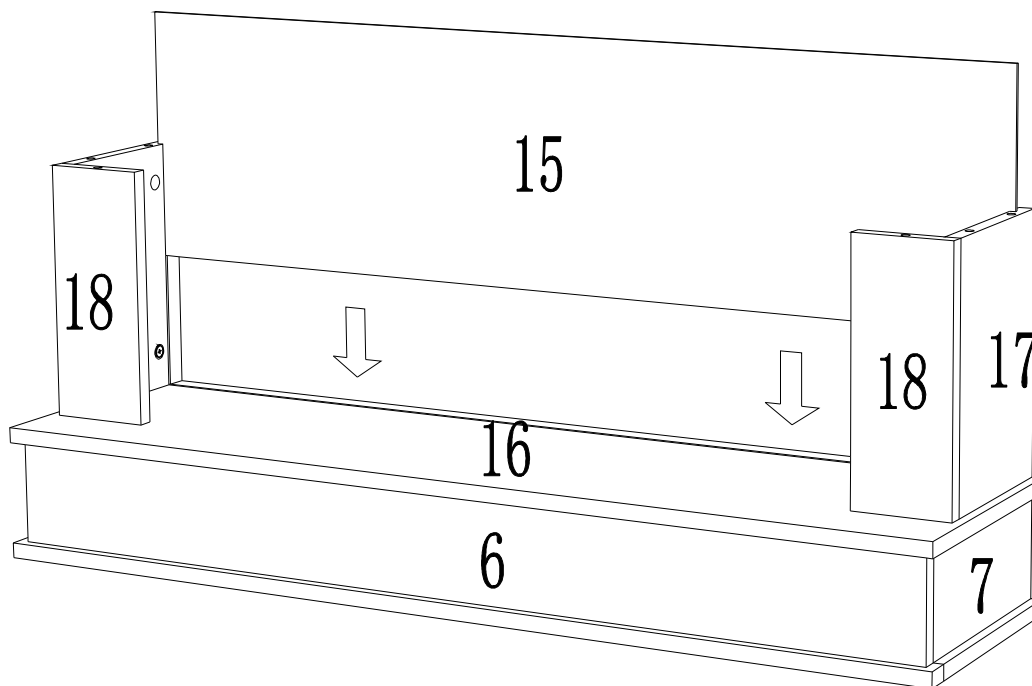


Fig 12

B  × 6

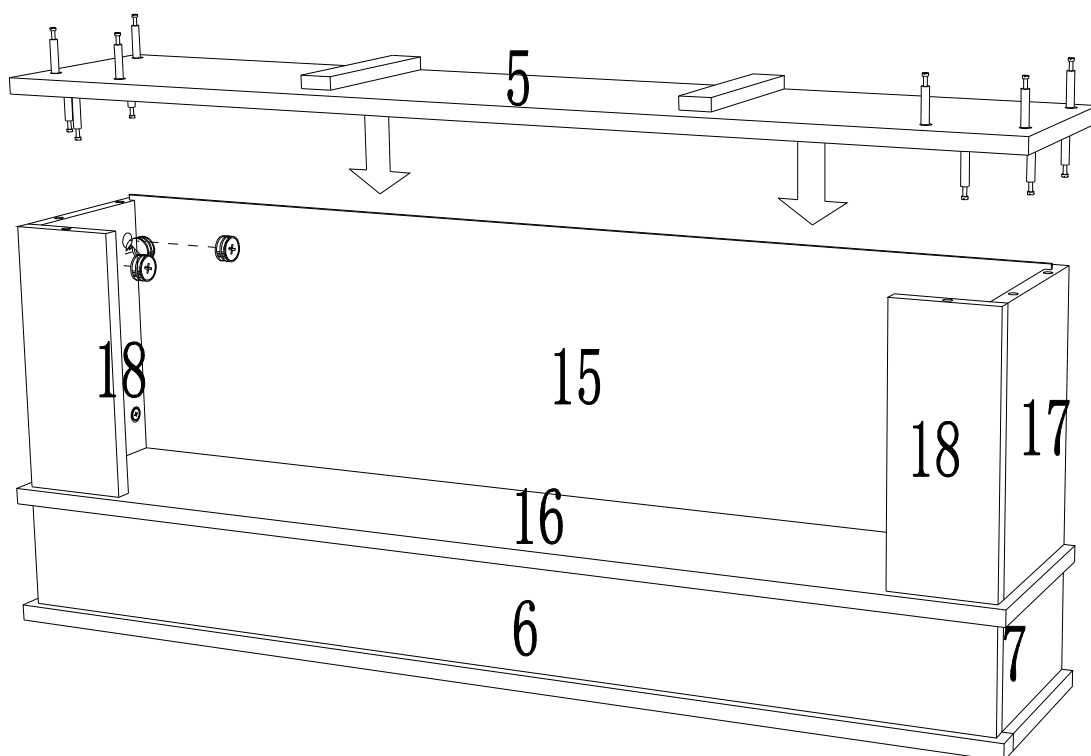


Fig 13

A  ×6

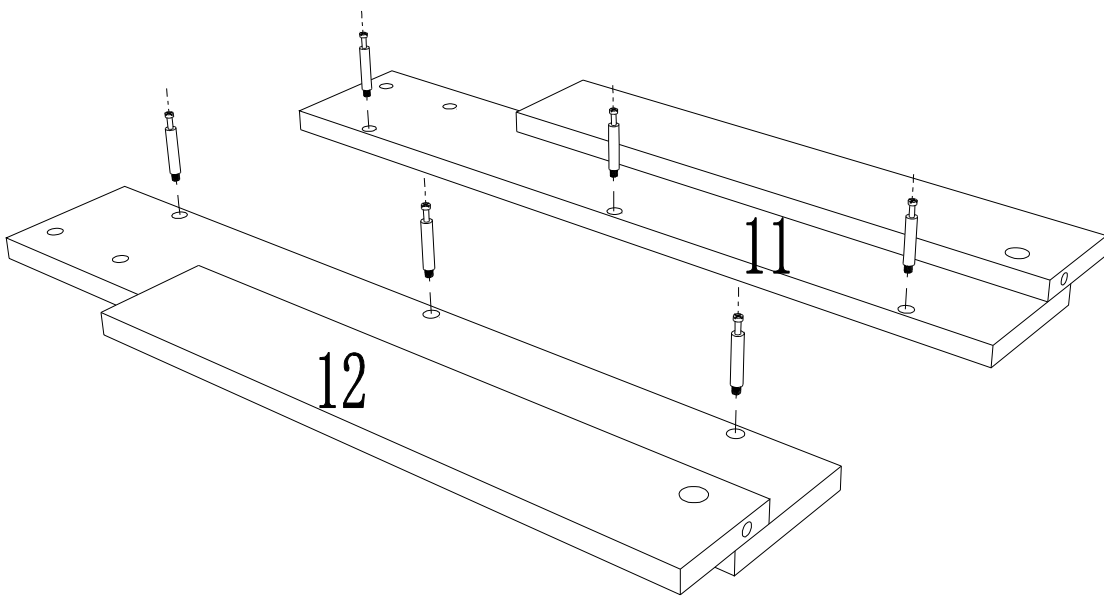
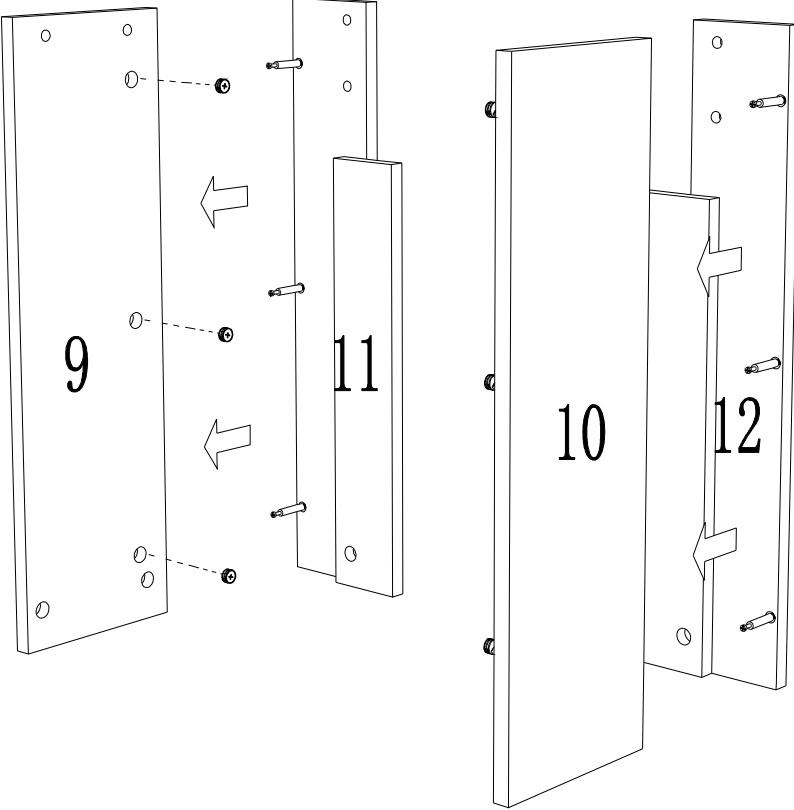


Fig 14

B  ×6



B  6

Fig 15

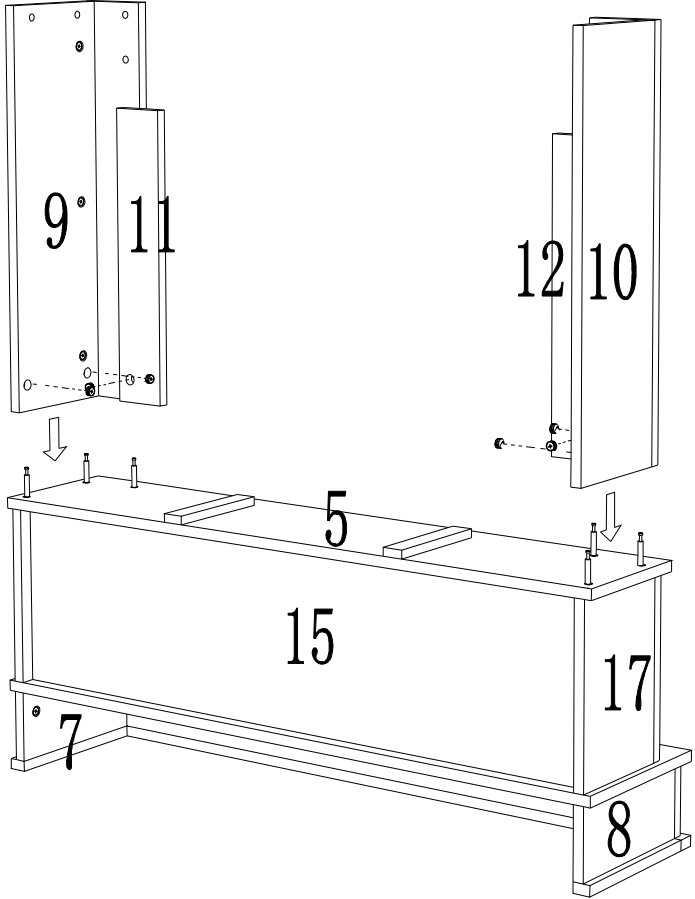


Fig 16

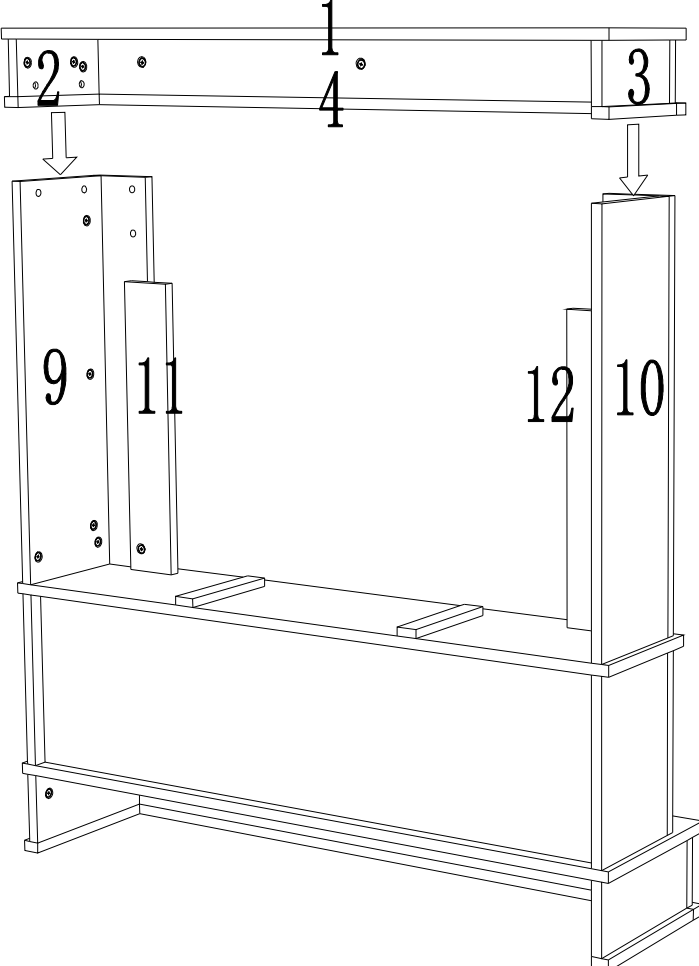
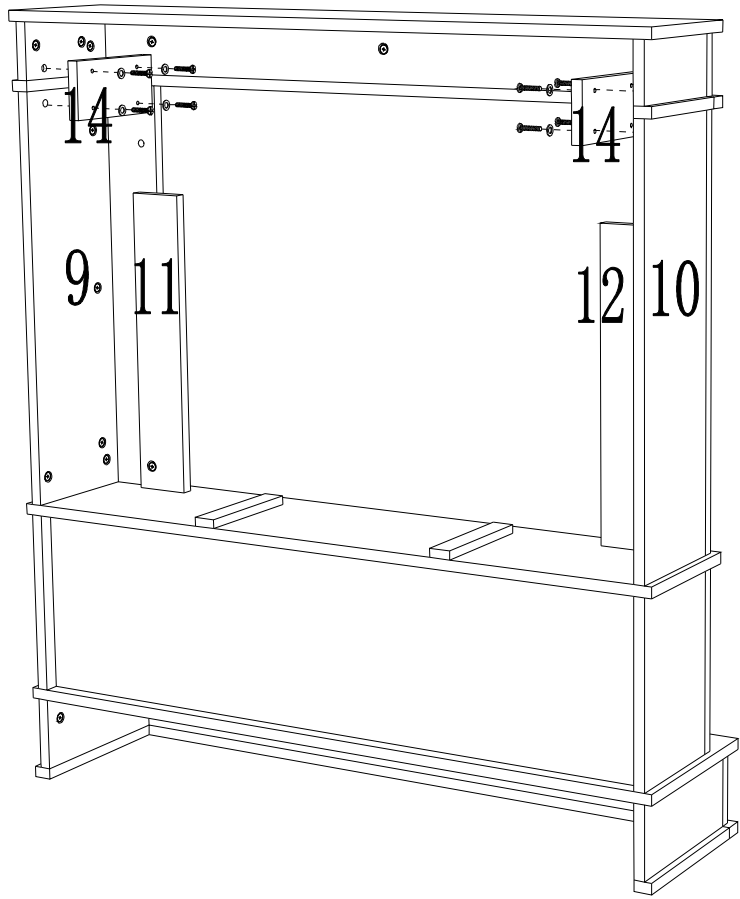
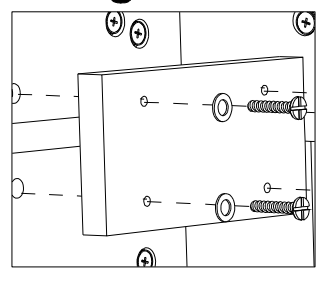


Fig 17





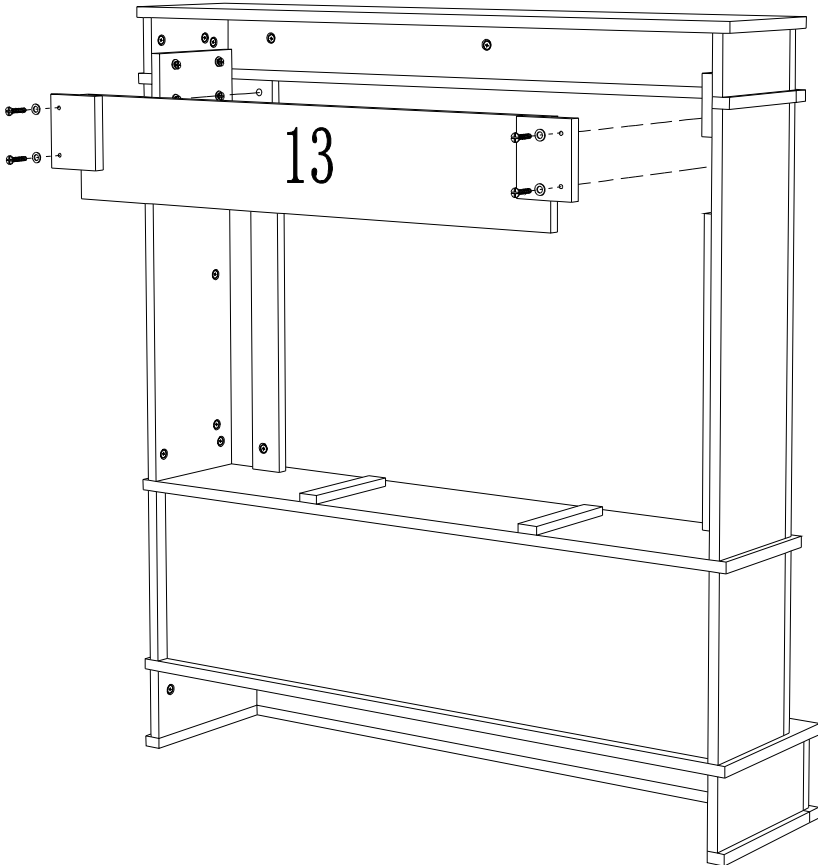
- C  × 8
- D  × 8

Fig 18





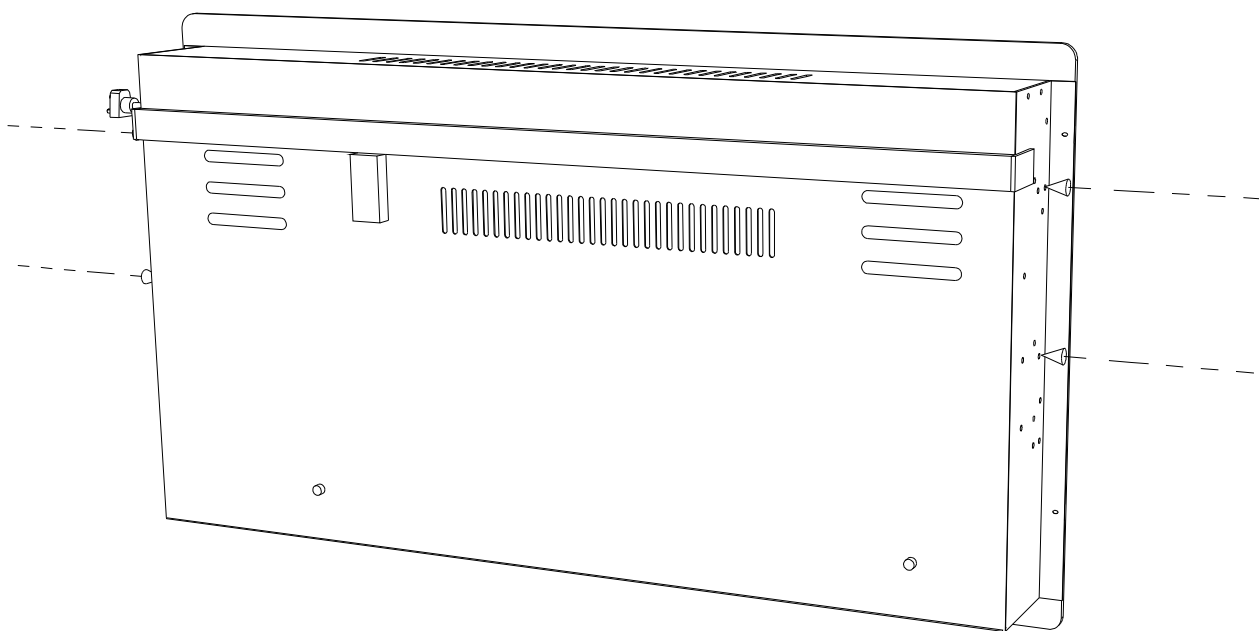
- C  × 4
- D  × 4

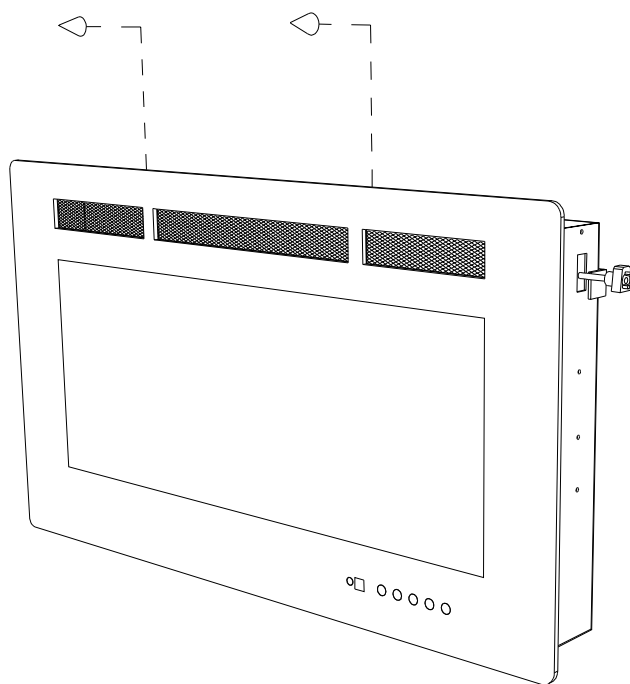
Fig 19



Take off the two screws in both sides of the fireplace

Fig 20

✖8



Take off the face of fireplace

Fig 21

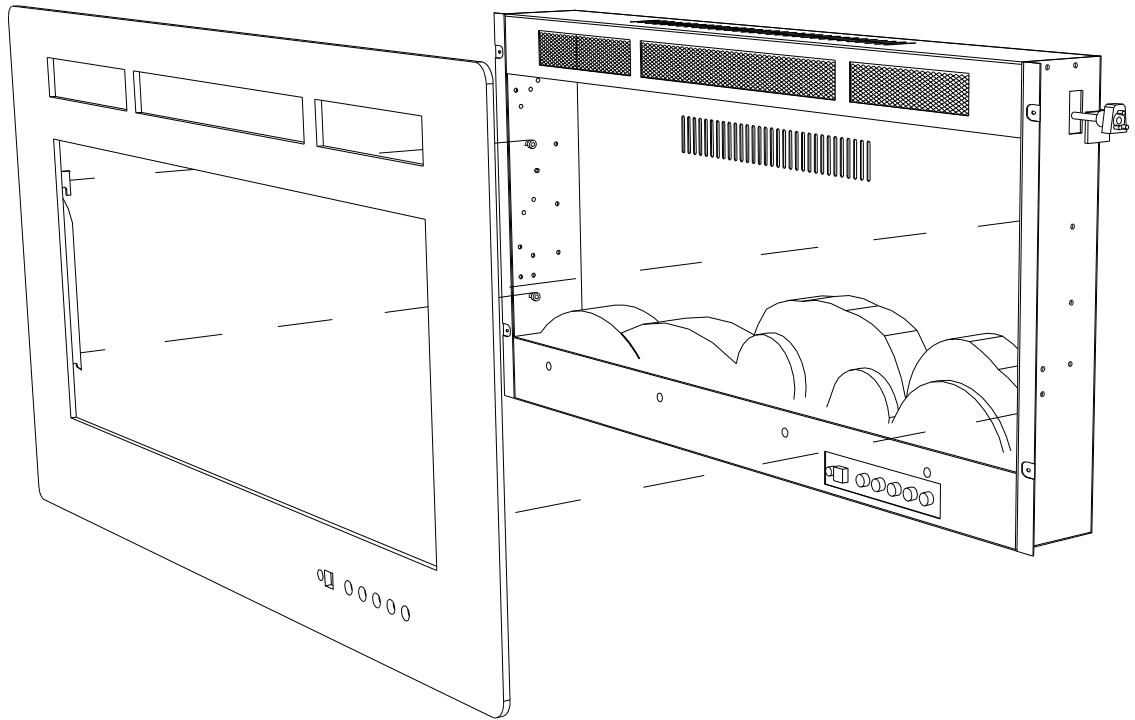
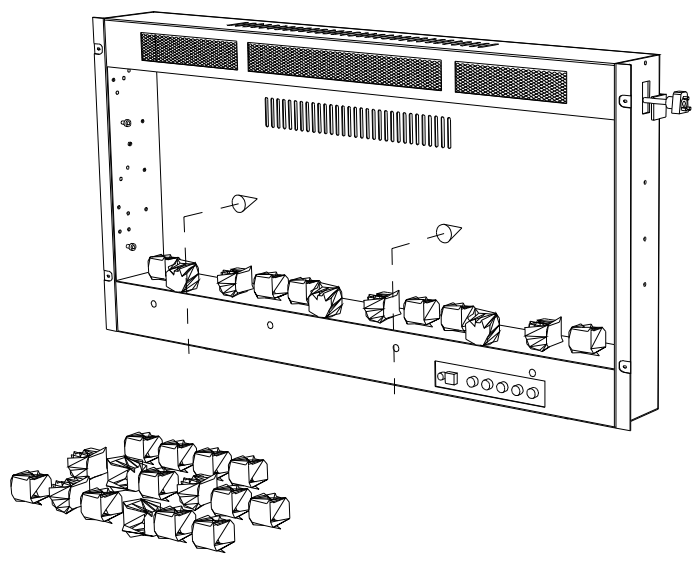
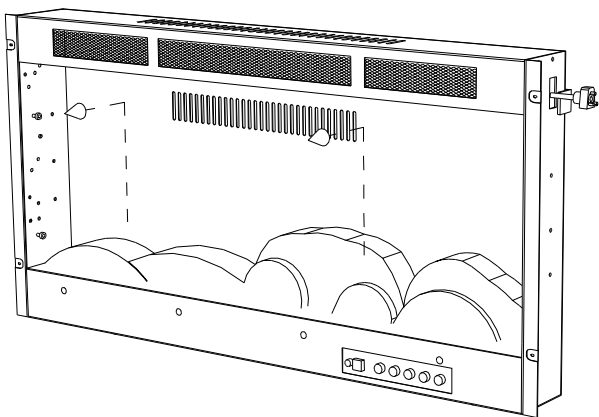


Fig 22



E  X4

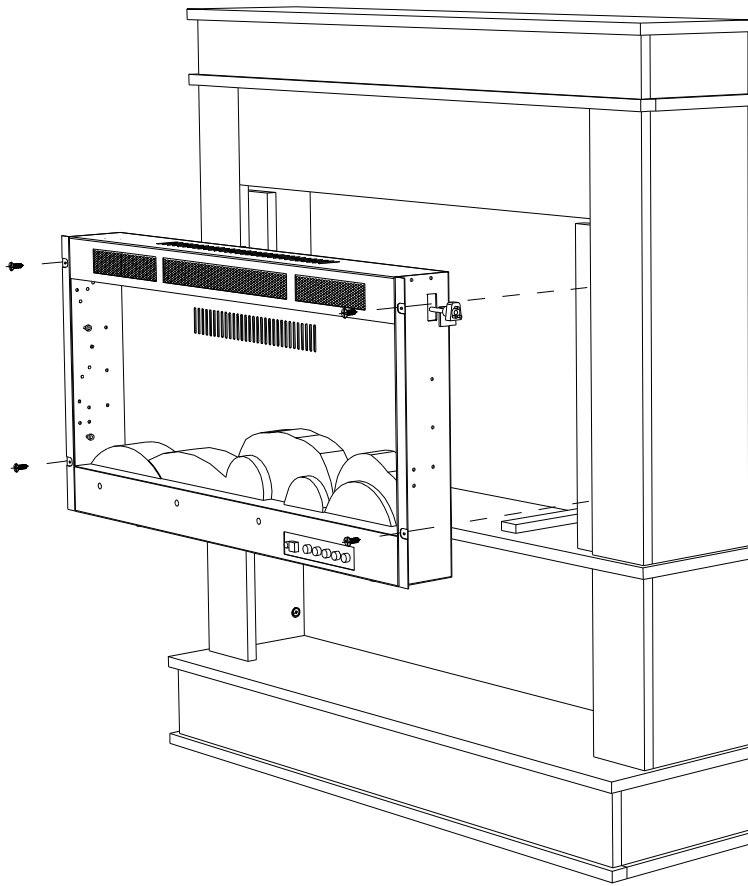
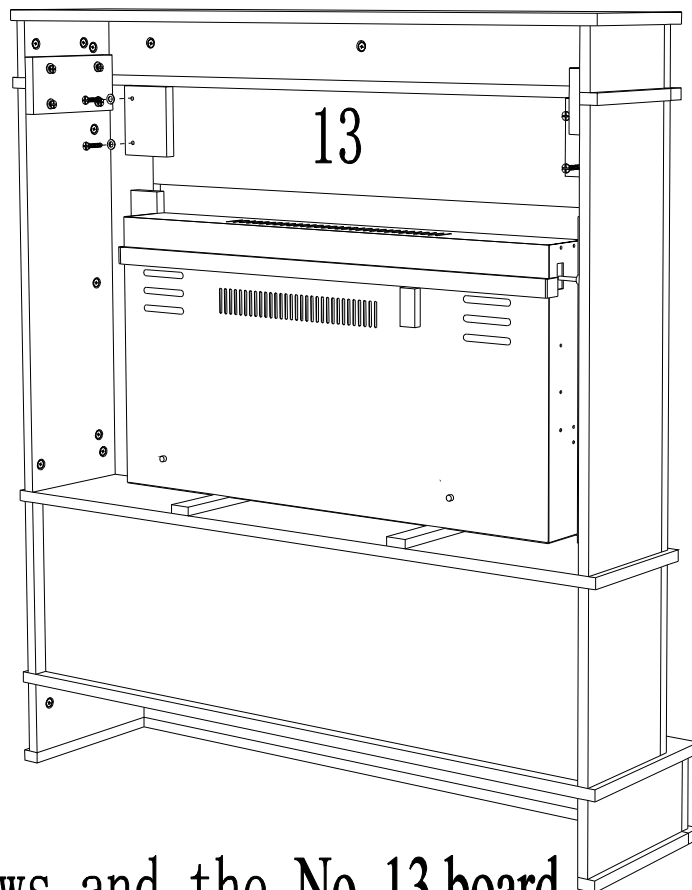
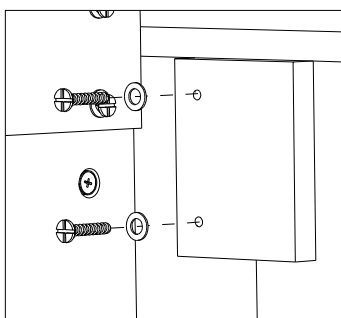


Fig 24



Take off the screws and the No. 13 board

Fig 23

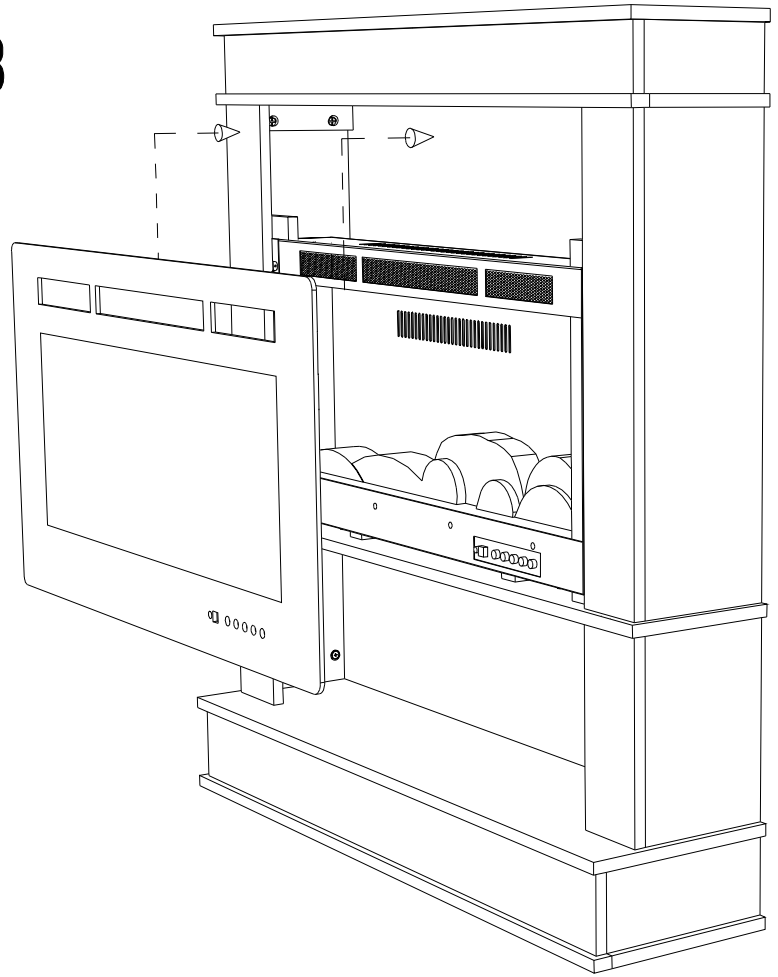
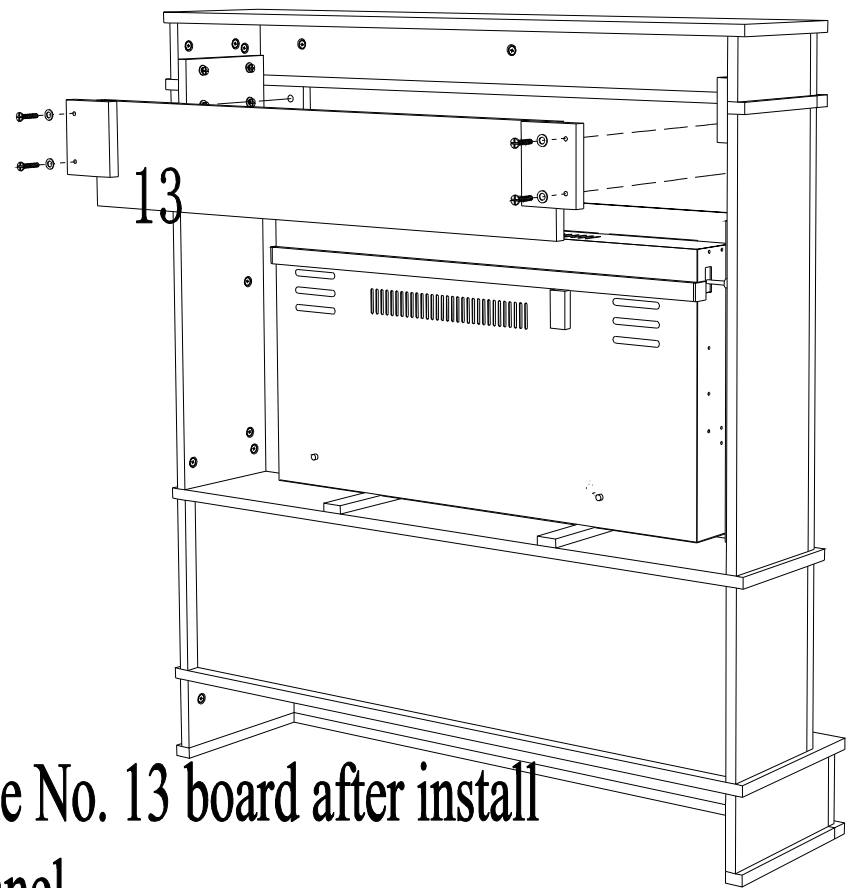




Fig 24

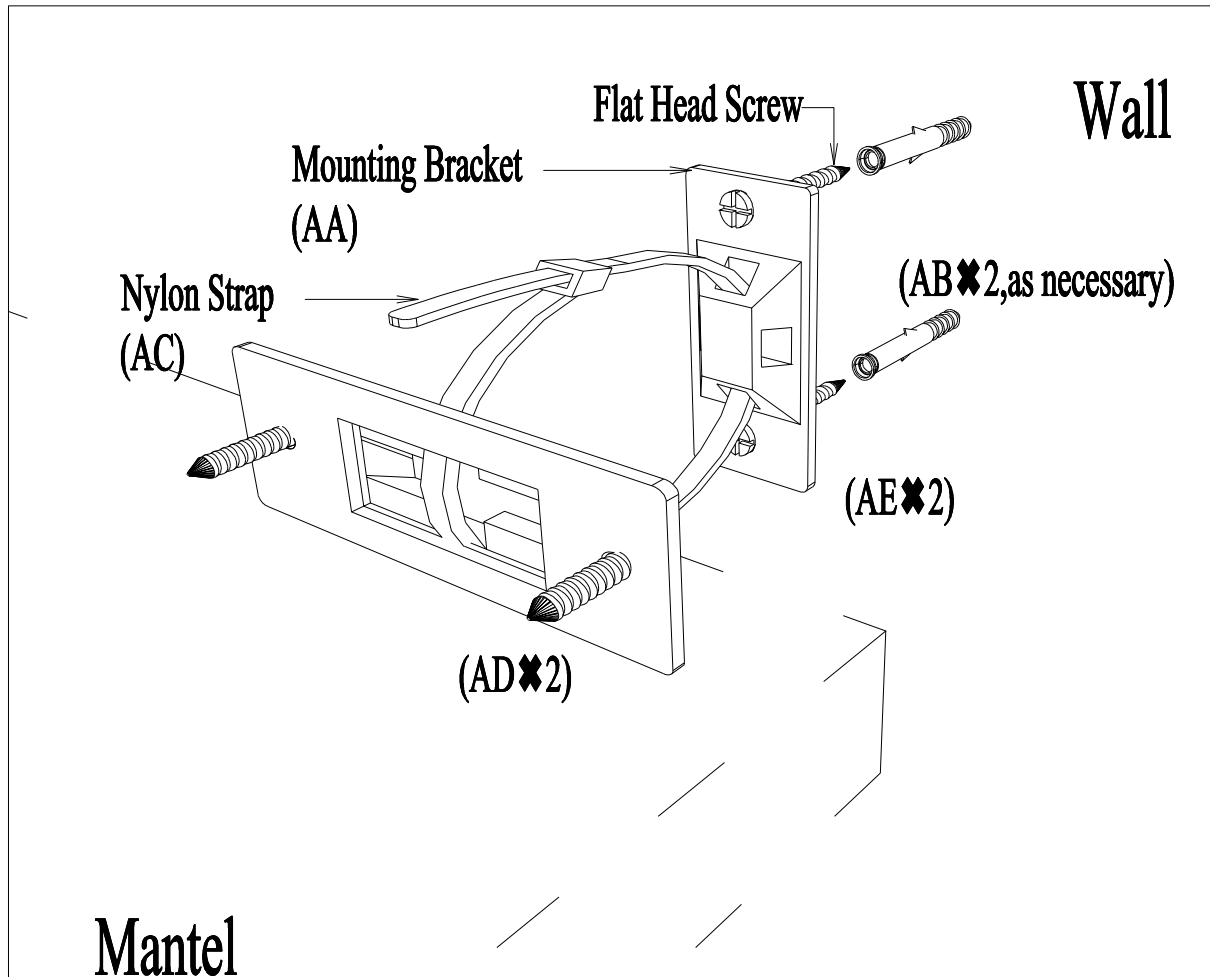


- C  ×4
- D  ×4

Reinstall the No. 13 board after install the glass panel

Assembly

Anchoring the media console



Care and maintenance



Do not use abrasive or chemical cleaners. Discolouring or damage to finish may result.
Clean media console with a non-abrasive cloth. Clean as often as necessary.

NOTE:

Excessive sun exposure may cause discolouring or fading of media console finish.