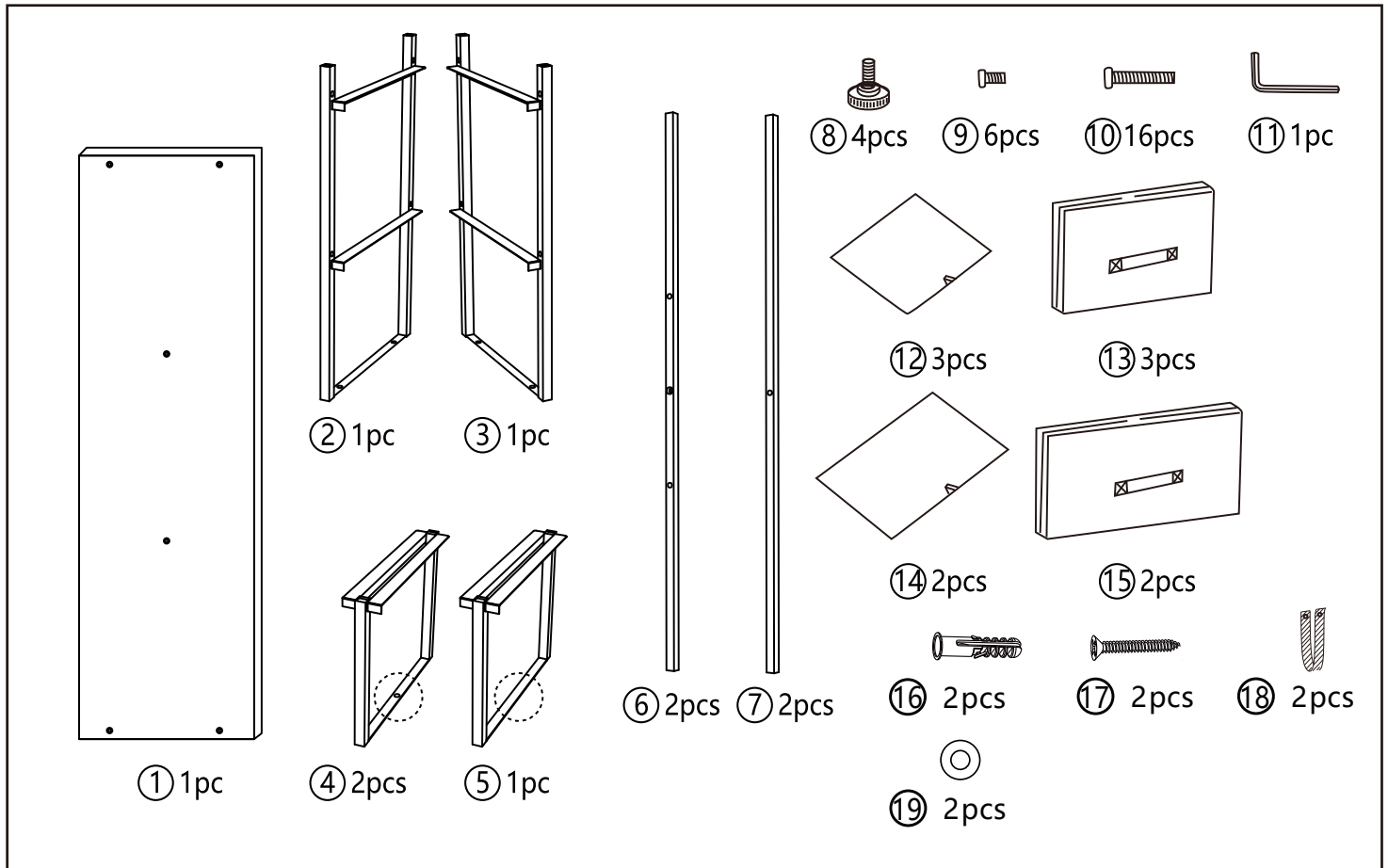


**WARNING:** Small children should be supervised or not present when this product is being assembled – small parts/packaging can be a choking hazard.

## ASSEMBLY INSTRUCTIONS (please read carefully before assembly)

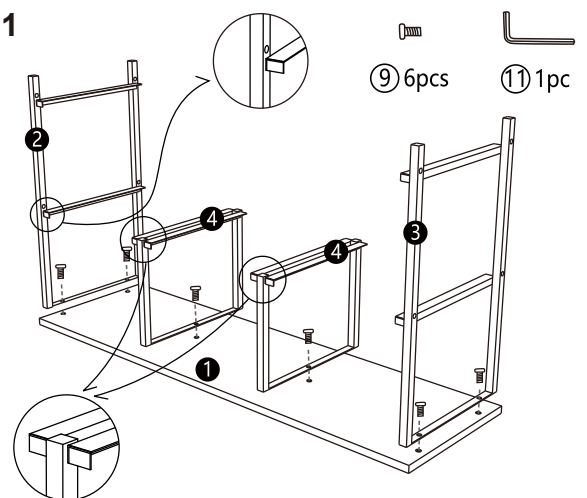


## STEP BY STEP ASSEMBLY

**Attention:** Do not tighten the screws until you have completed assembly.

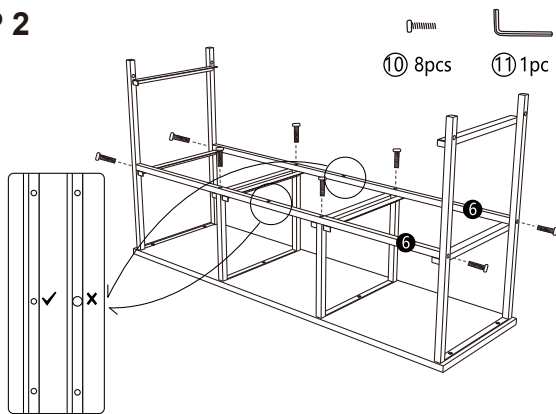
**Please note:** You may notice the top panel of this unit has a joint where the edging material is fixed/glued. When assembling the top of the unit you may want to ensure that this joint is at the back of the unit (towards the wall - rather than the front). This may just be slightly more pleasing to the eye.

### STEP 1

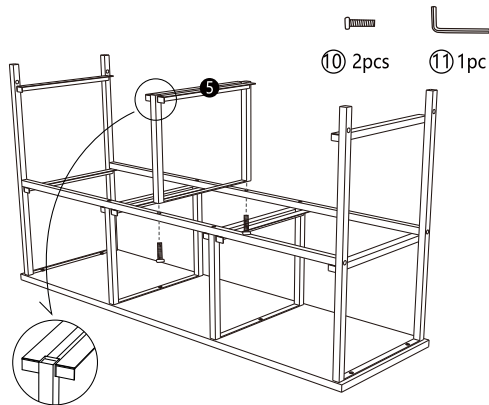


# STEP BY STEP ASSEMBLY

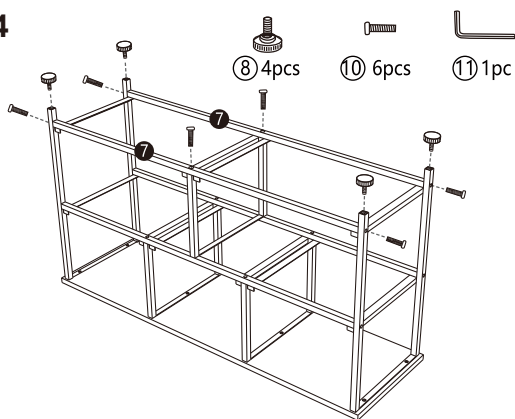
## STEP 2



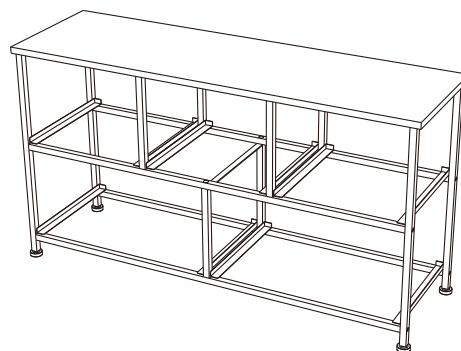
## STEP 3



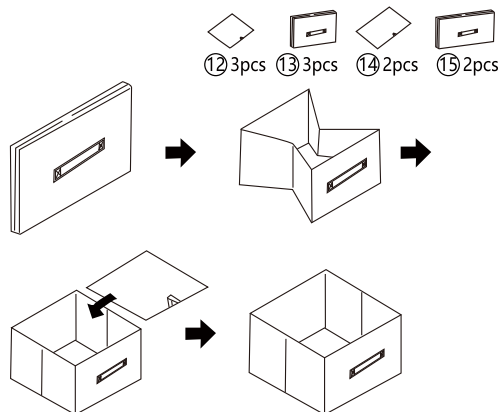
## STEP 4



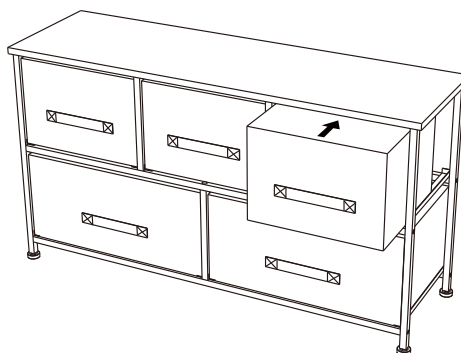
## STEP 5



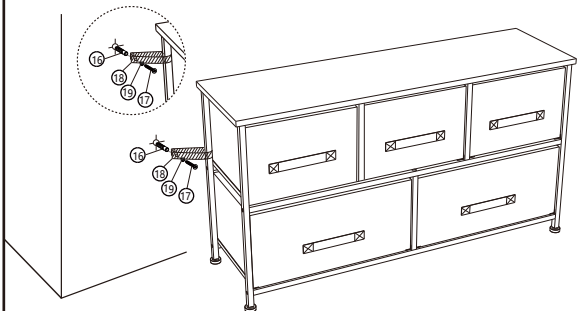
## STEP 6



## STEP 7



## STEP 8



It is strongly recommended that this product is permanently fixed to the wall. Please seek professional advice if you are in doubt of what fixing device to use. Regularly check that anchors are securely maintained.

Check any electrical wires or plumbing inside the wall before drilling any holes (if you are unsure please seek professional advice from a qualified tradesperson).



**WARNING:** Children under 3 years – we would always advise young children are not left unsupervised whilst playing with this item.