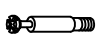














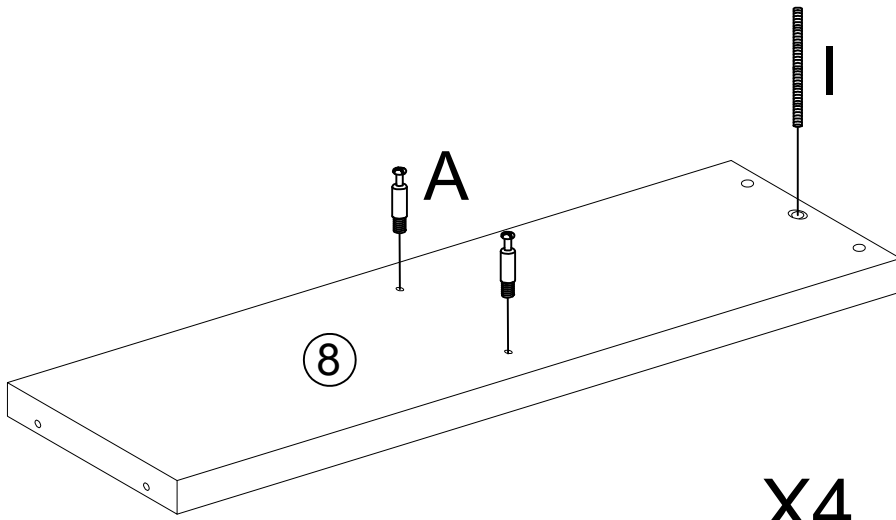
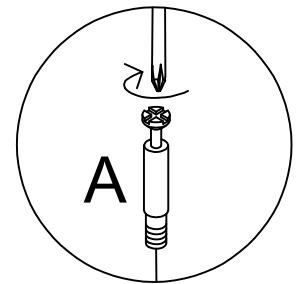
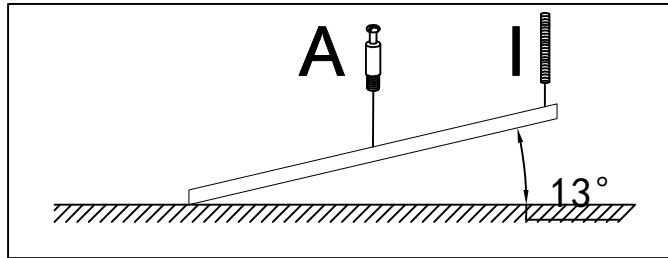



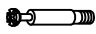
A x12  M6*35mm	B x12  Ø15mm	C x14  Ø8*30mm	D x18  M7*50mm	E x1  M6*15mm	F x16  M6*12mm	G x16  M3.5*14mm	H x4 
I x4  M8*70mm	J x1  M4	K x4 	L x4  M8	M x1  M8	N x4 	O x4 	

1

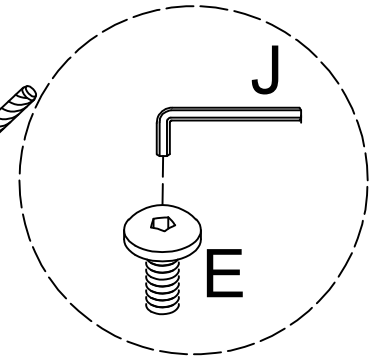
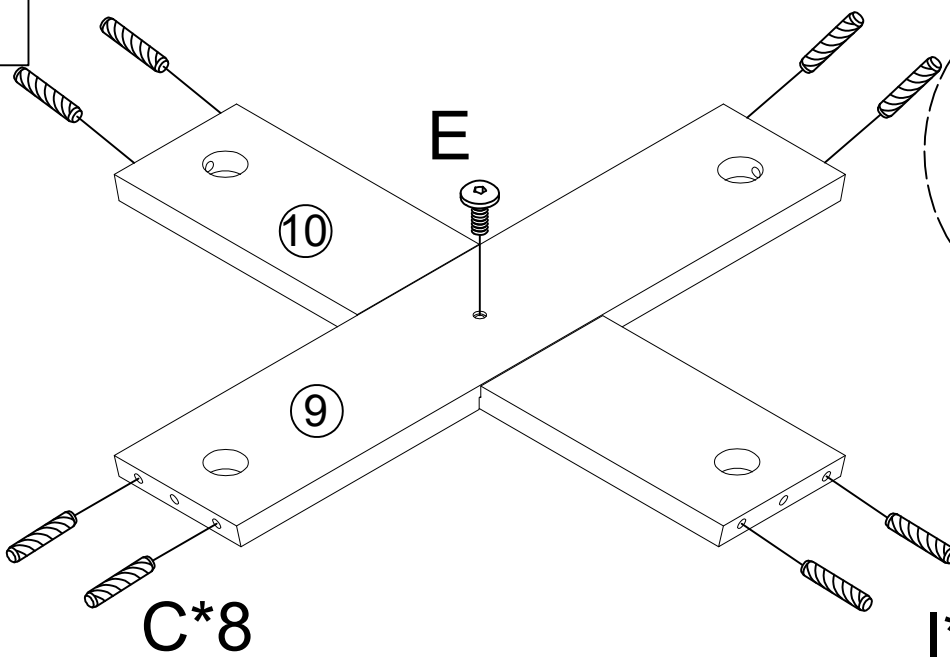





X4



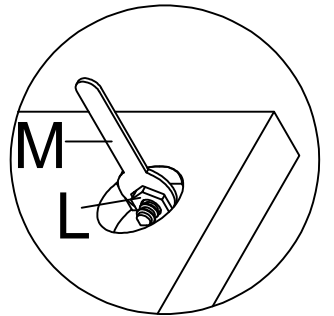
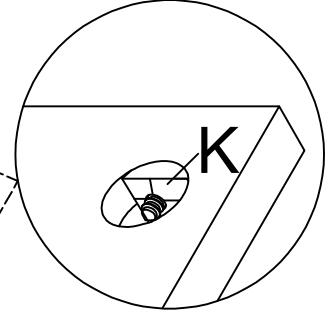
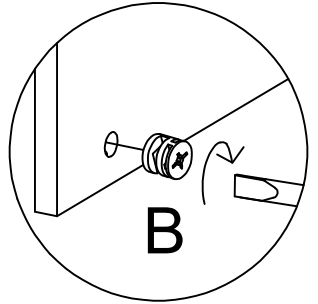
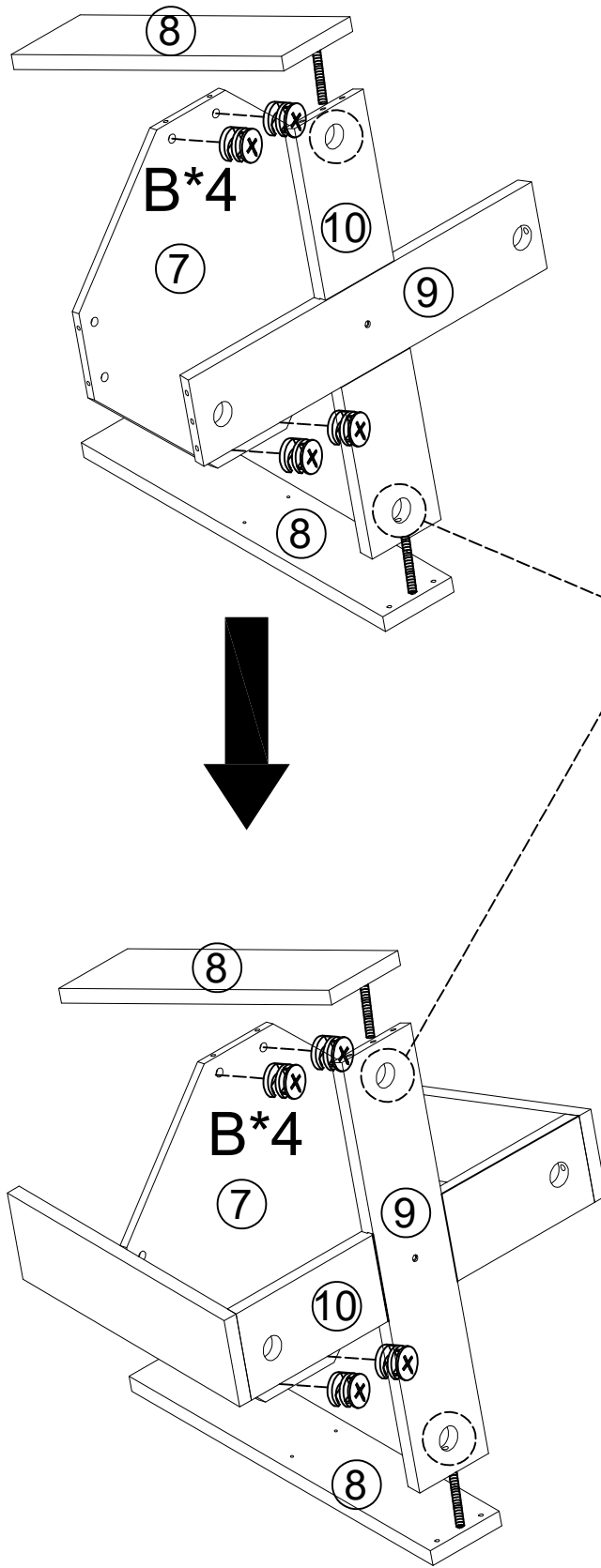
I	x4	A	x8
			
M8*70mm		M6*35mm	





2



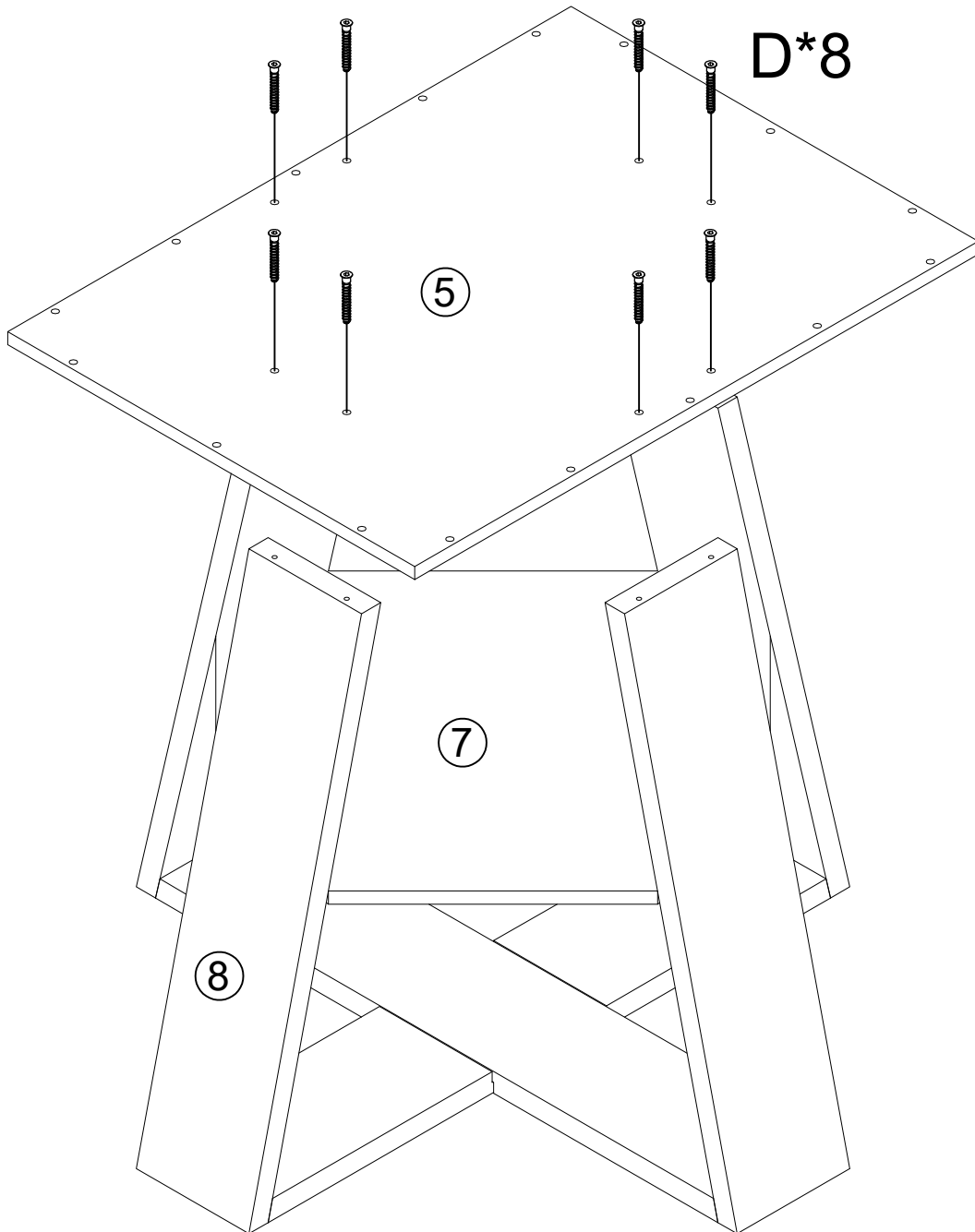
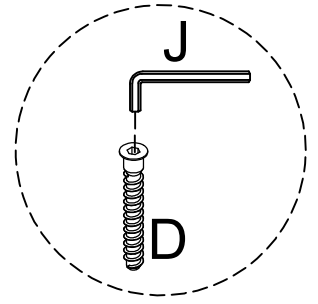
C	x8	E	x1	J	x1
					
Ø8*30mm		M6*15mm		M4	



3



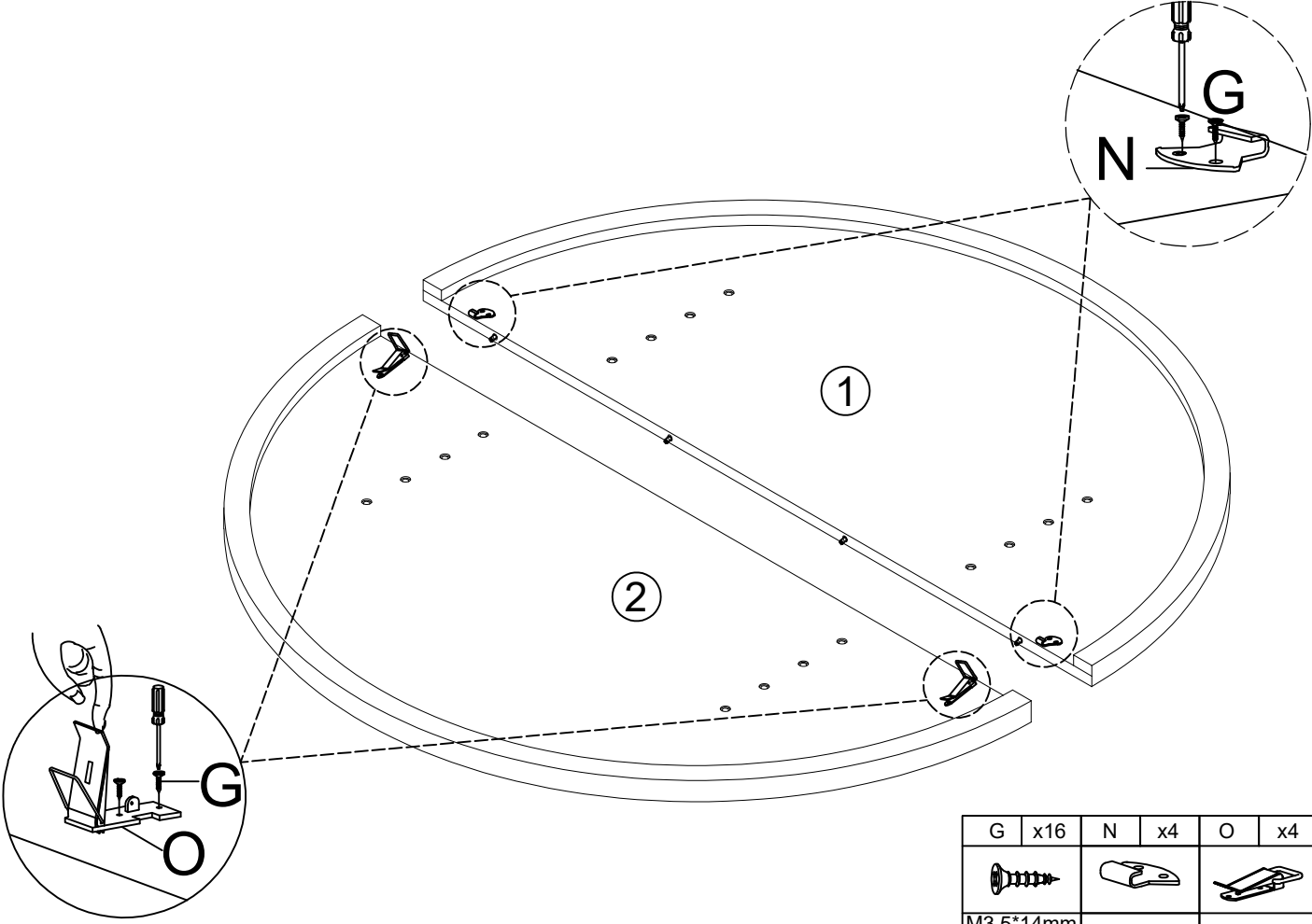
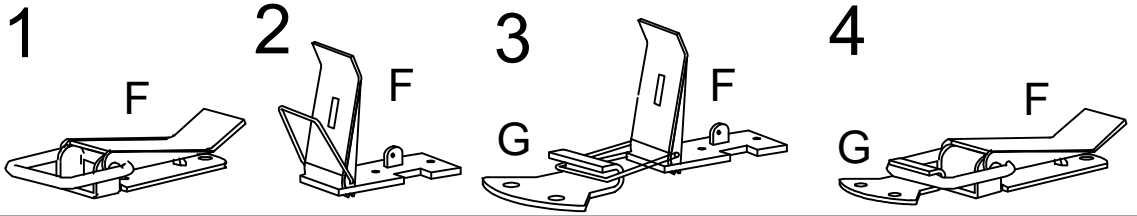
B	x8	K	x4	L	x4	M	x1
							
Ø15mm							




4



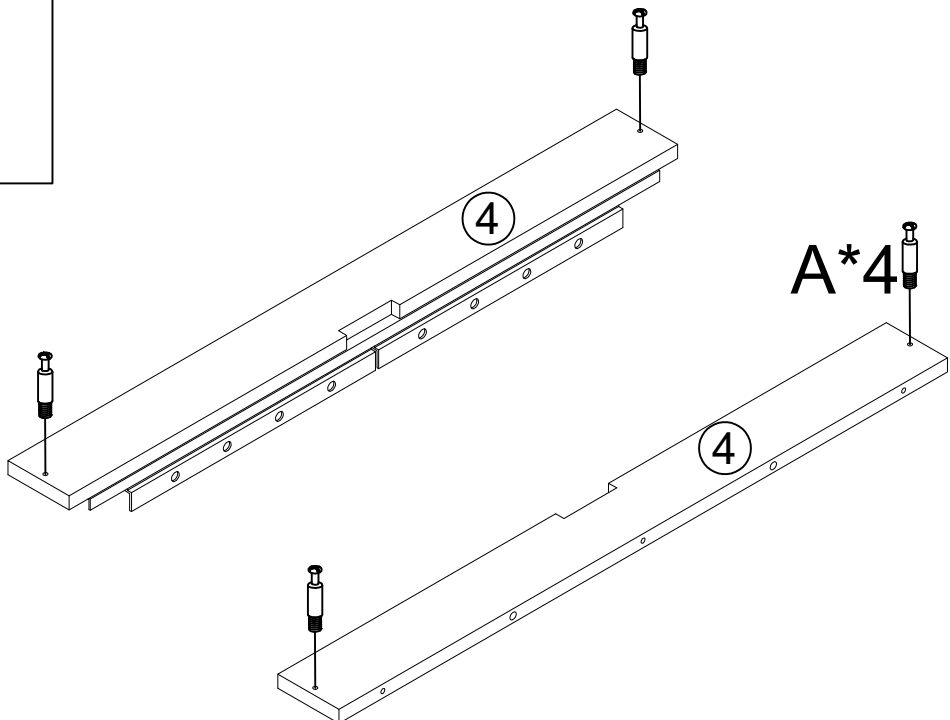
D	x6	J	x1
			
M7*50mm		M4	

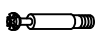
5



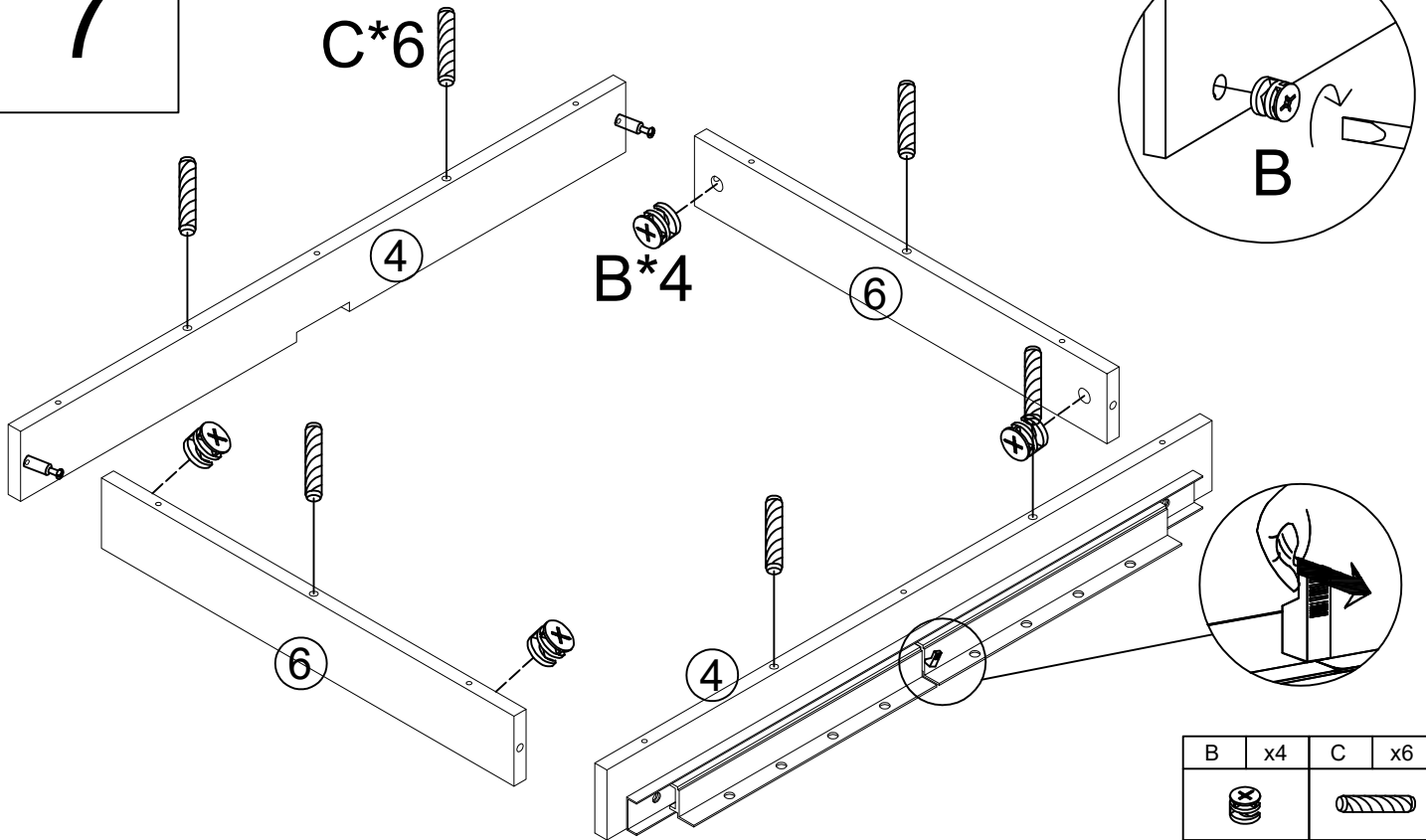
G	x16	N	x4	O	x4
					
M3.5*14mm					

6

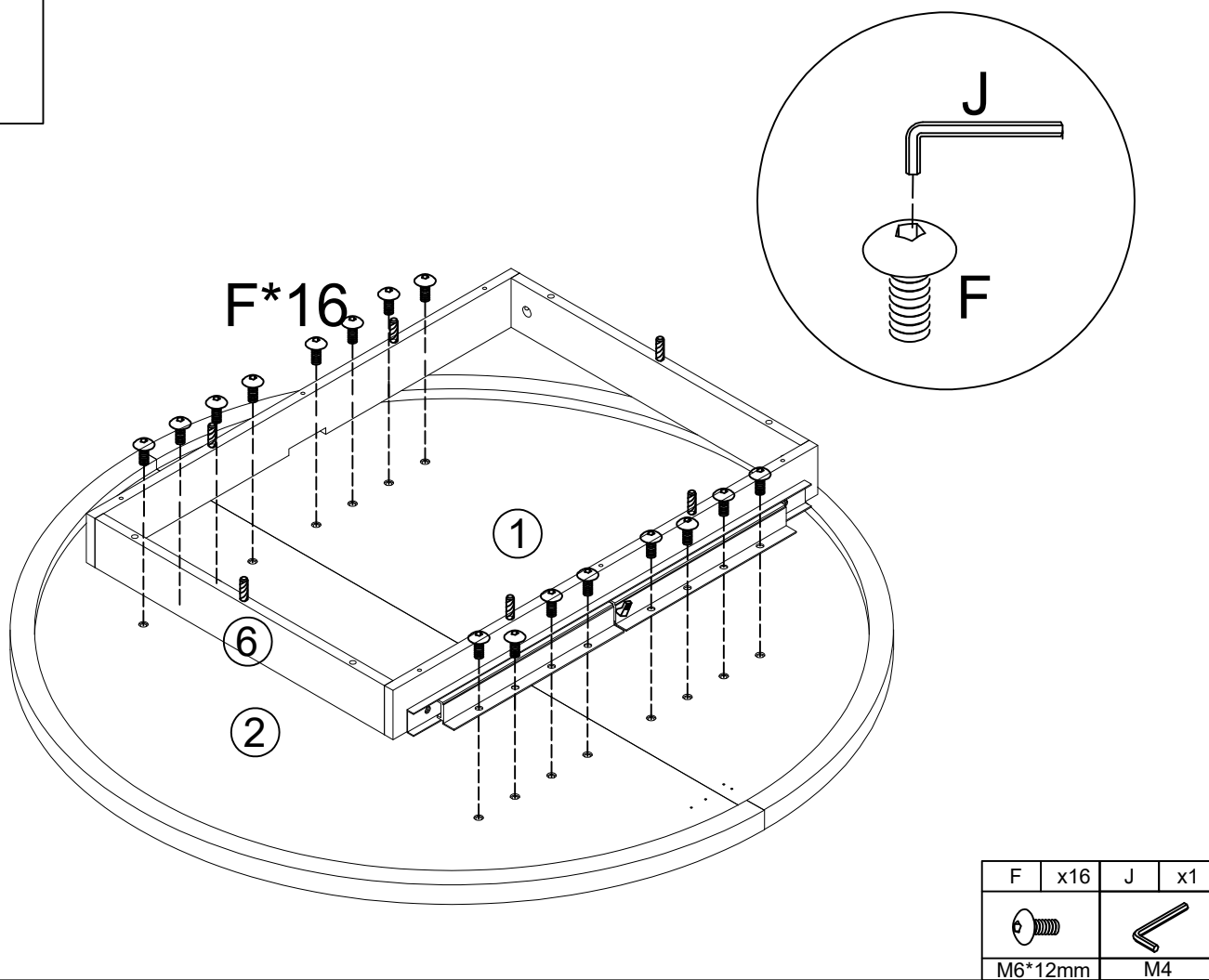


A	x4
	
M6*35mm	

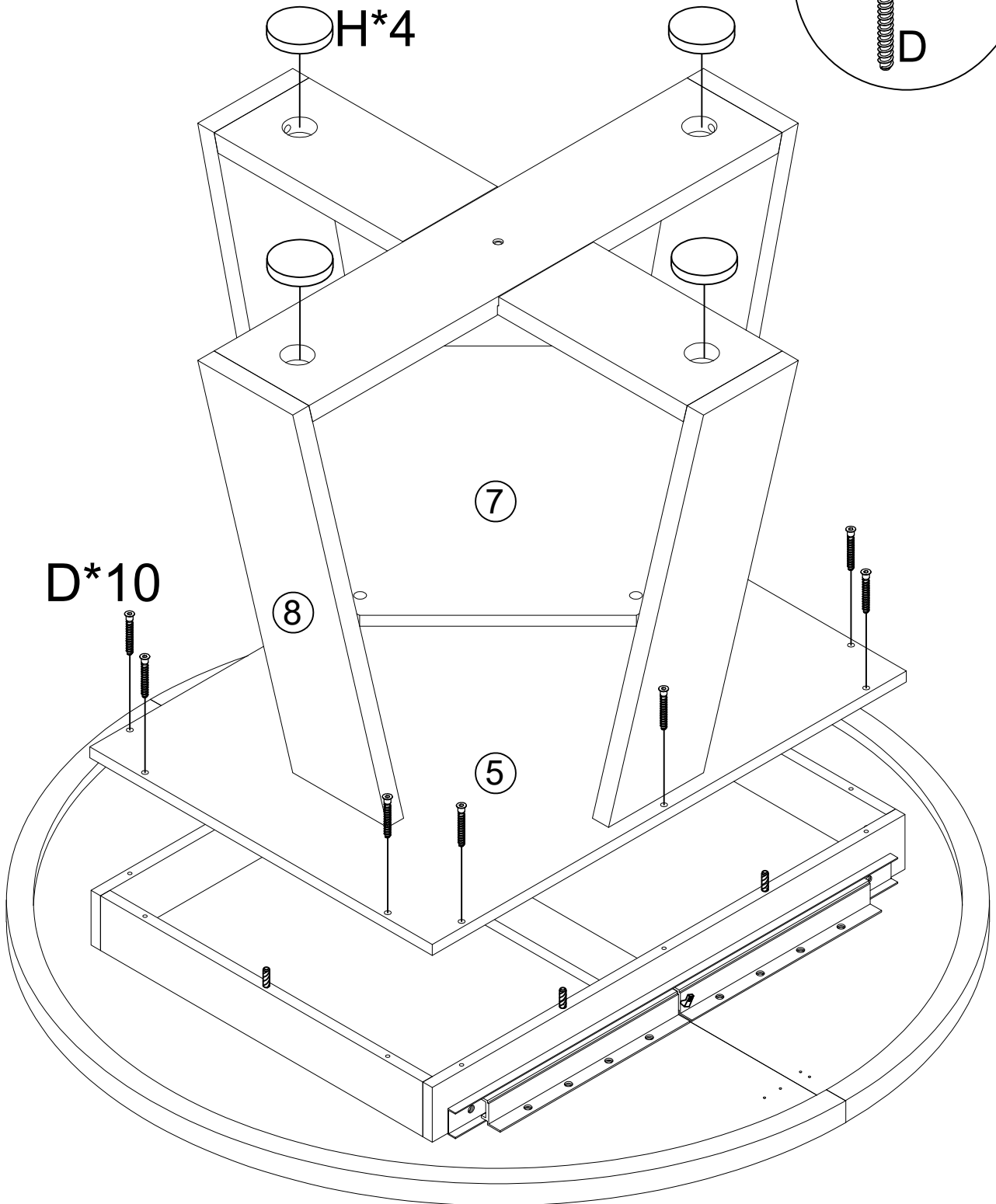
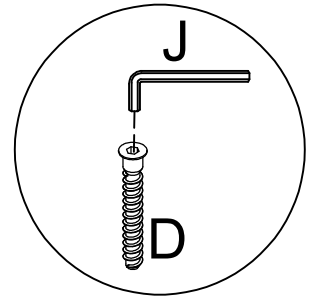
7



8

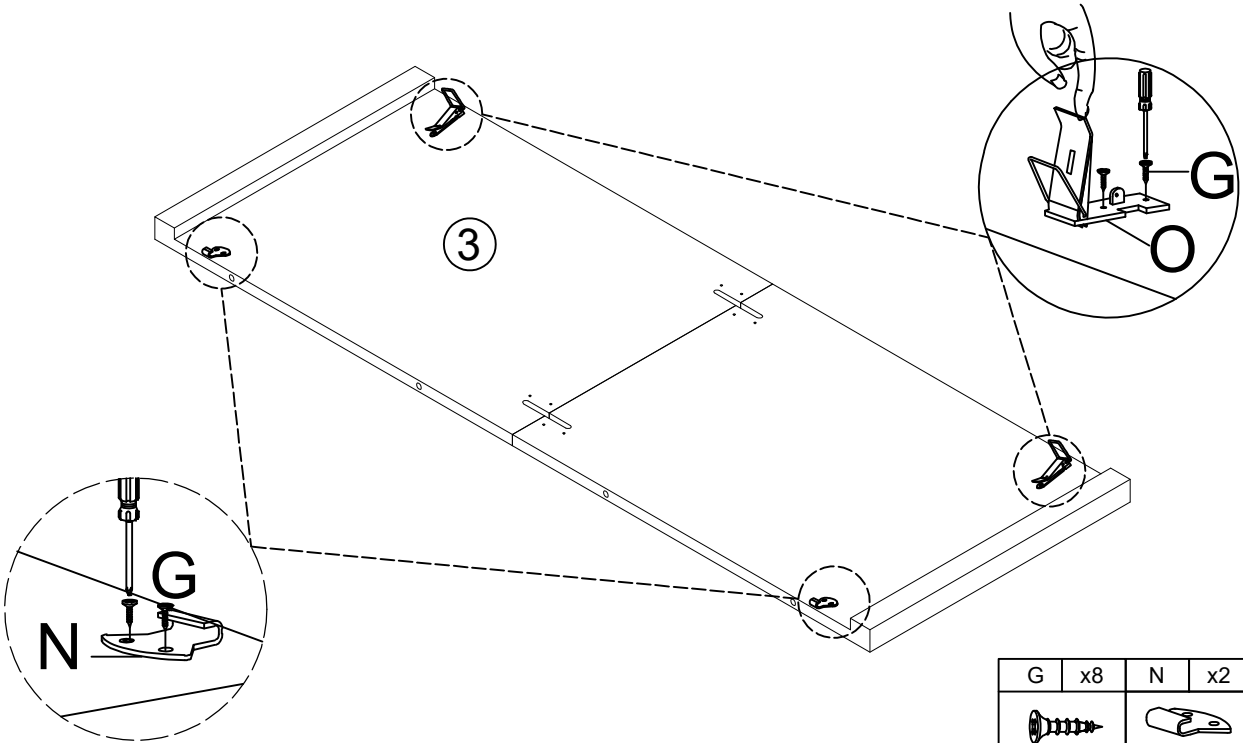
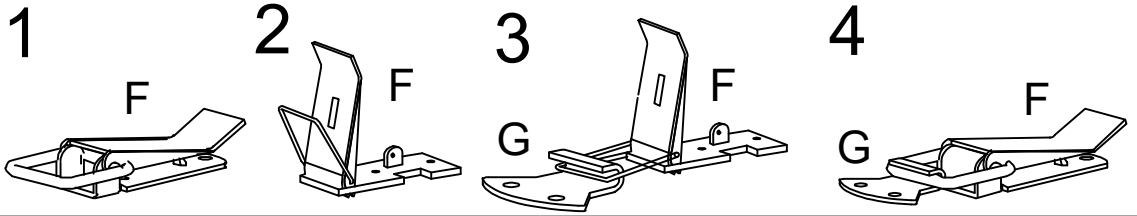





9



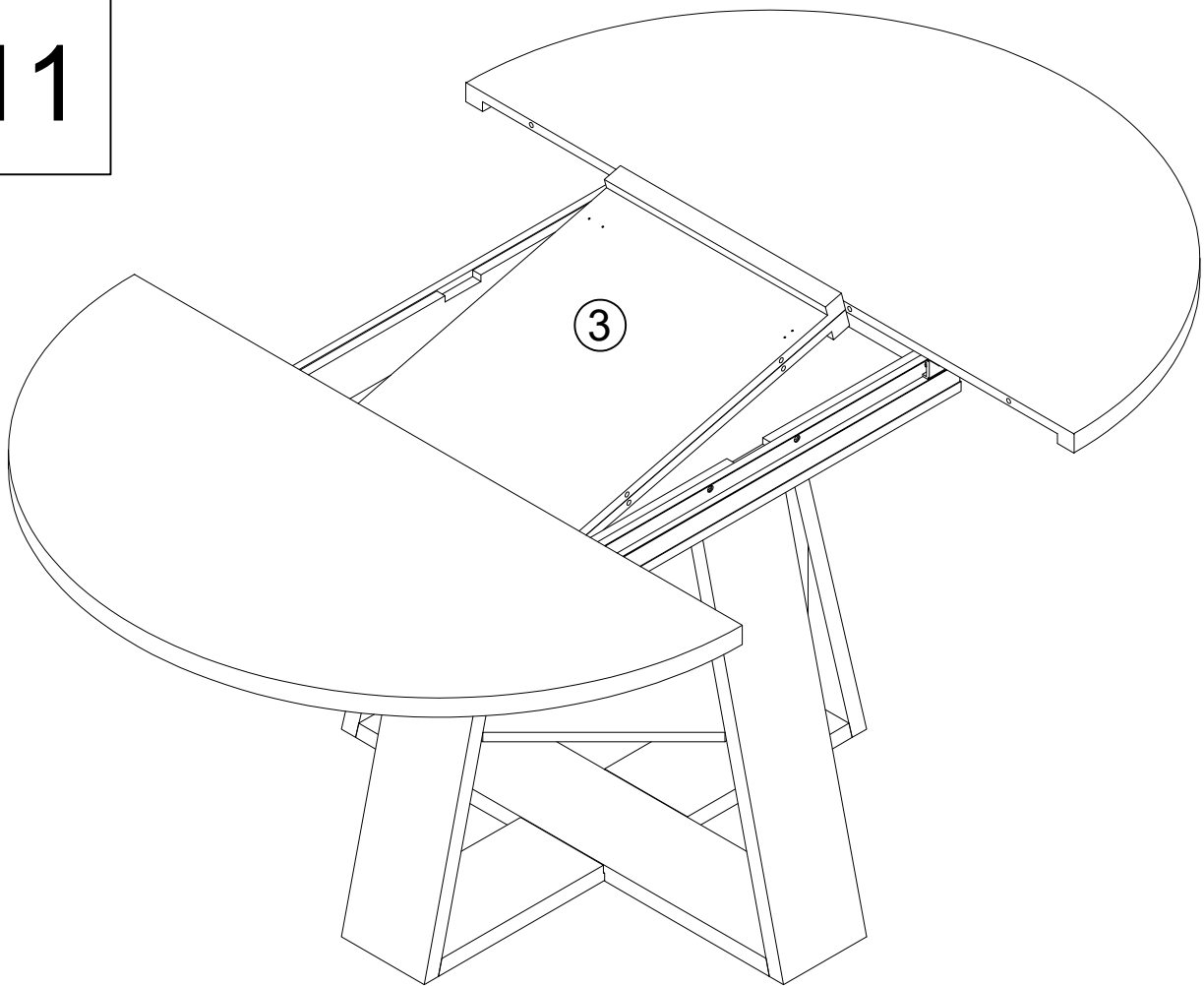
D	x10	H	x4	J	x1
M7*50mm				M4	

10

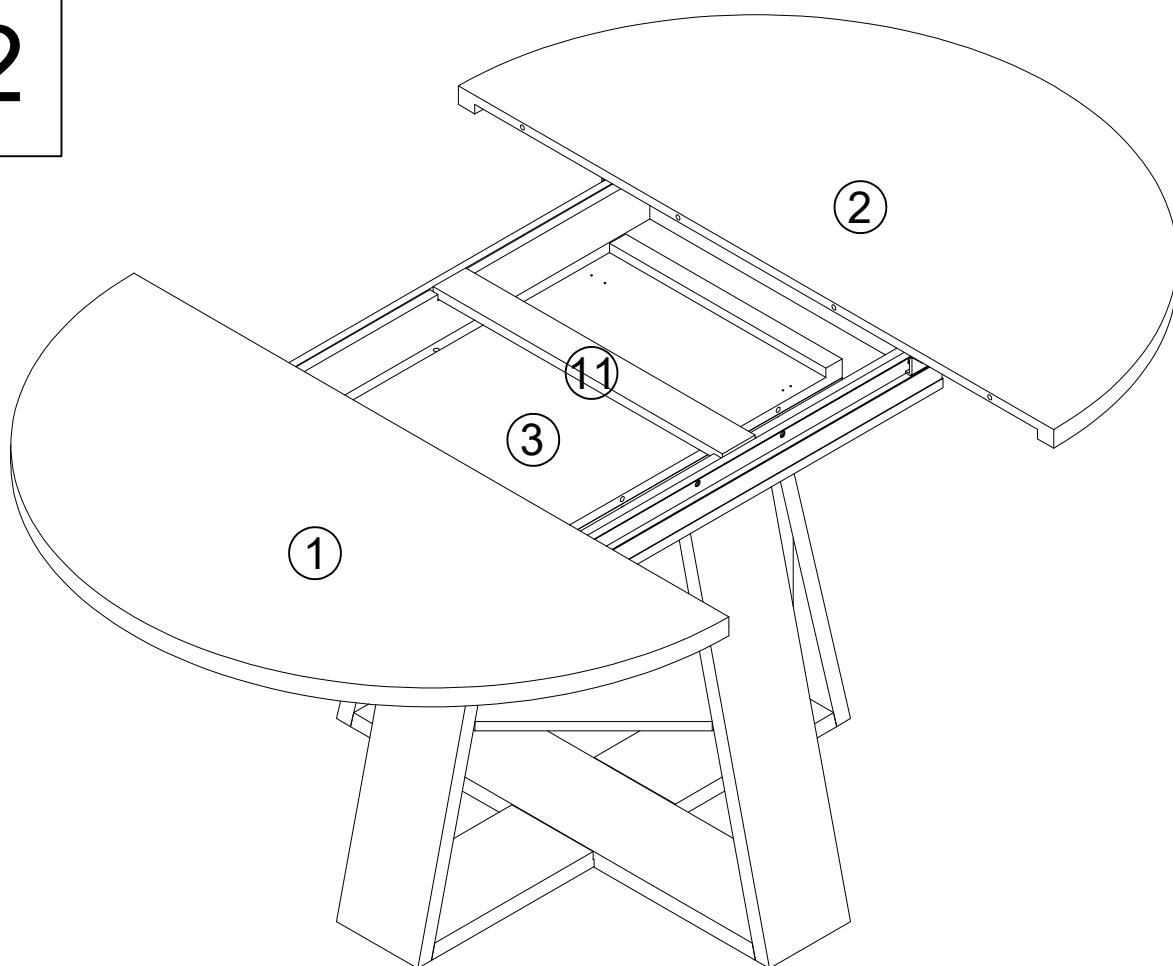


G	x8	N	x2	O	x2
					
M3.5*14mm					

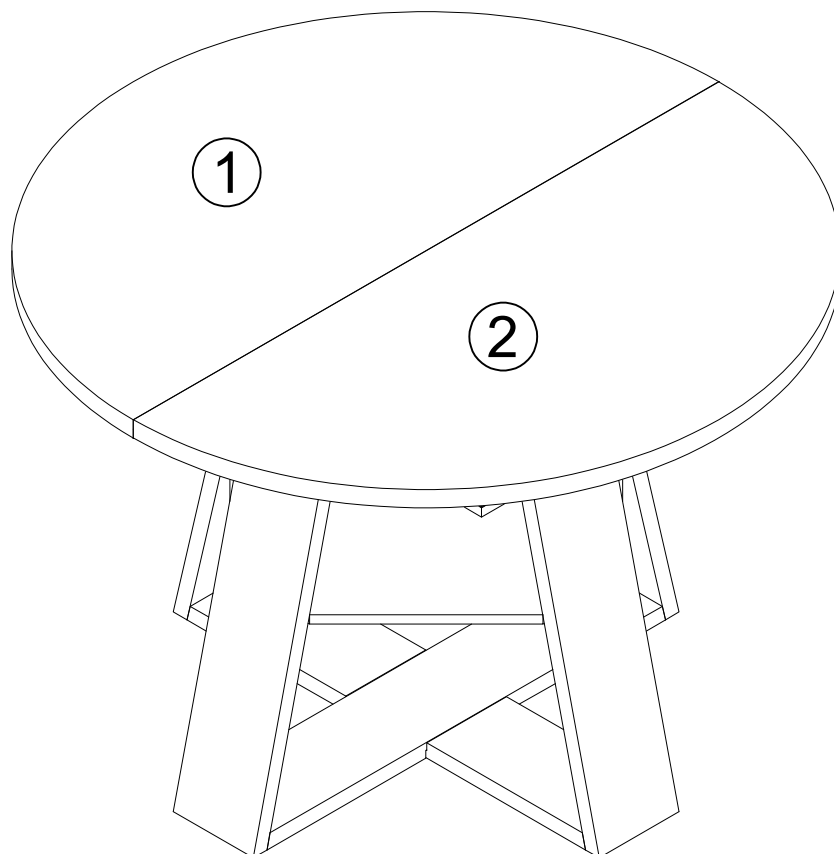
11



12



13



14

