

# INSTRUCTION MANUAL ENCLOSED

## **ATTENTION**

**IF YOU HAVE ANY PROBLEMS OR QUESTIONS, EMAIL OR CALL CUSTOMER SERVICE BEFORE YOU RETURN THIS PRODUCT TO THE STORE WHERE IT WAS PURCHASED.**

For Customer Service:

USA: Email: [support@orderhelp.com](mailto:support@orderhelp.com) /Call: 1-877-897-1222

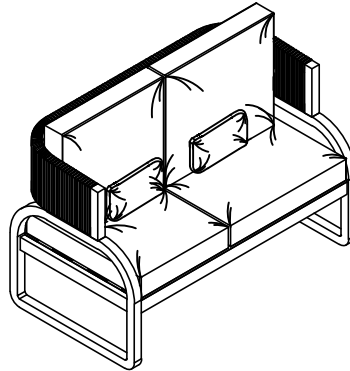
CANADA: Email: [sirio@orderhelp.com](mailto:sirio@orderhelp.com) / [www.sirio.ca](http://www.sirio.ca)

Call: 1-866-666-0421

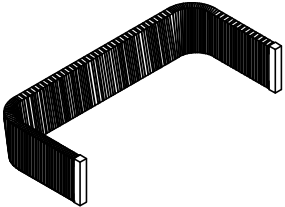
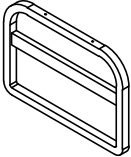
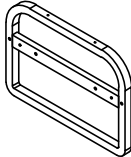
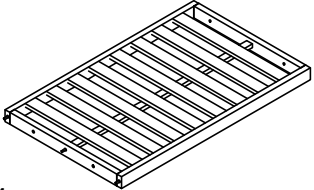
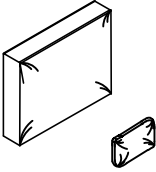
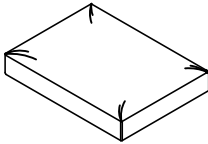
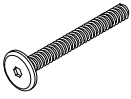
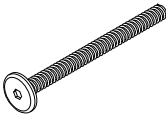

**\*\*When emailing Customer Service, please include your **Order Number** and **platform of purchase** in the email subject for quicker assistance.**

# INSTRUCTION MANUAL ENCLOSED

## OUTDOOR LOVESEAT MS387 ASSEMBLY INSTRUCTION



Parts	PARTS LIST Description	Quantity
PARTS		
A	Back Frame	1
B	Left Leg Frame	1
C	Right Leg Frame	1
D	Seat Frame	1
E	Back Cushion	2
F	Seat Cushion	2
HARDWARE		
G	Bolt $\varnothing 1/4 \times 2$ "	4
H	Bolt $\varnothing 1/4 \times 2-3/4$ "	4
I	Allen Key	1
SPARE PARTS		
G	Bolt $\varnothing 1/4 \times 2$ "	1
H	Bolt $\varnothing 1/4 \times 2-3/4$ "	1
	Leveler	1

<p>A</p>  <p>x1</p>	<p>B</p>  <p>x1</p>	<p>C</p>  <p>x1</p>
<p>D</p>  <p>x1</p>	<p>E</p>  <p>x2</p>	<p>F</p>  <p>x2</p>
<p>G</p>  <p>x4    Ø1/4*2"</p>	<p>H</p>  <p>x4    Ø1/4*2-3/4"</p>	<p>I</p>  <p>x1</p>

**For Customer Service:**

Email: [support@orderhelp.com](mailto:support@orderhelp.com)  
[sirio@orderhelp.com](mailto:sirio@orderhelp.com) / [www.sirio.ca](http://www.sirio.ca)  
Call: 1-877-897-1222 / 1-866-666-0421

**PLEASE READ AND FOLLOW ALL SAFETY TIPS**

### GETTING STARTED

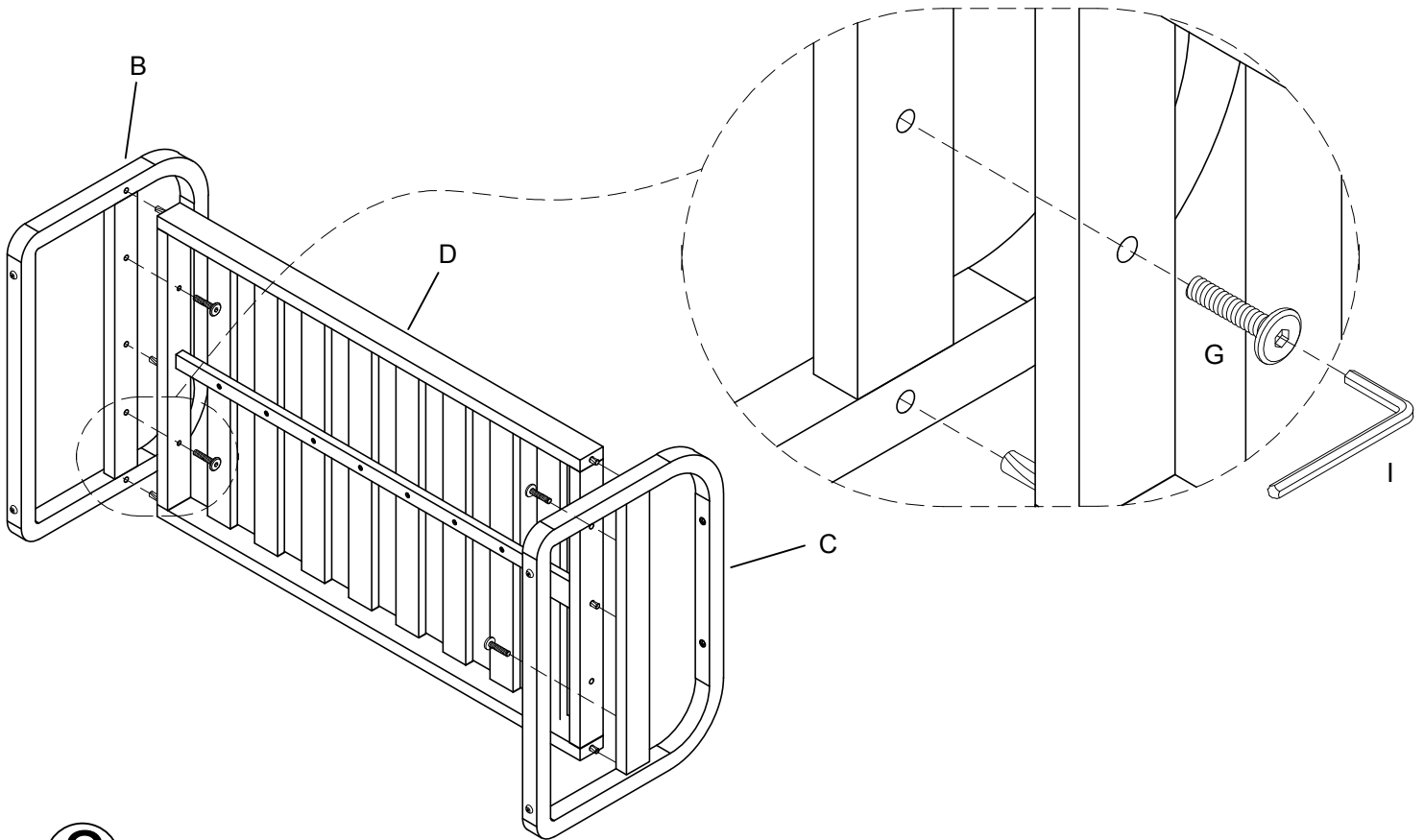
1. Before assembly, CAREFULLY use scissors or utility knife to cut and unwrap all parts. Make sure you do not discard the hardware.
2. Make sure that you have all the parts listed. If you are missing any parts, please email Customer Service: USA: [support@orderhelp.com](mailto:support@orderhelp.com) or call 1-877-897-1222. Canada: [sirio@orderhelp.com](mailto:sirio@orderhelp.com) / [www.sirio.ca](http://www.sirio.ca) or call 1-866-666-0421. Please identify the parts you need and model number. Make sure to include your name and address.
3. Please include your **Order Number** and **platform of purchase** in the email subject, and one of our customer service representative will get back to you.

#### Warm Tips:

1. The plastic covers on some metal parts are just for product protection. Please remove it before assembly.
2. Please follow the sequence of A-I during assembly.
3. Do not tighten the screws until all of them are in right positions.

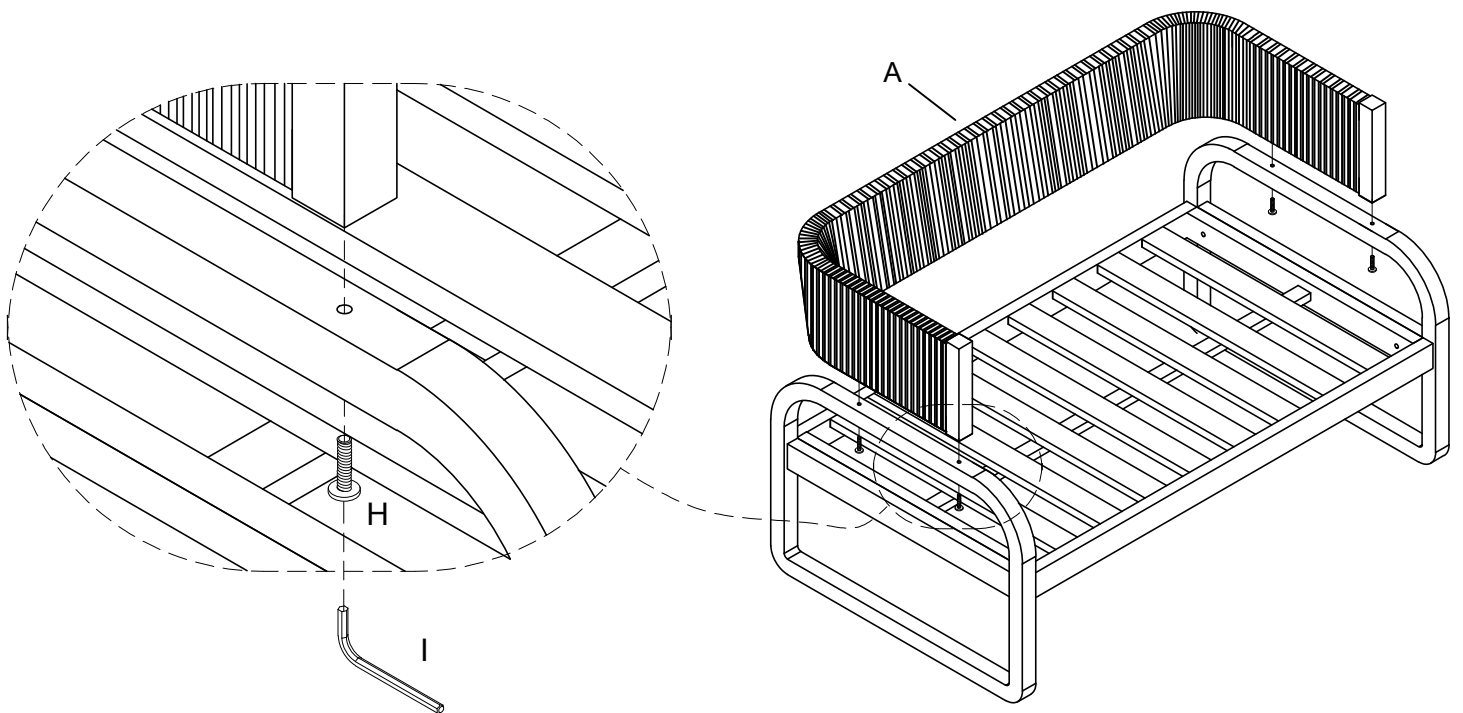
1

Position Left Leg Frame(B), Right Leg Frame(C) with Seat Frame(D) by the pre-drilled threads. Use Allen Key(I) to fasten Bolts(G) . Each Leg Frame should have 2 Bolts(G) fastened.Do not tighten 100%. (Photo 1)



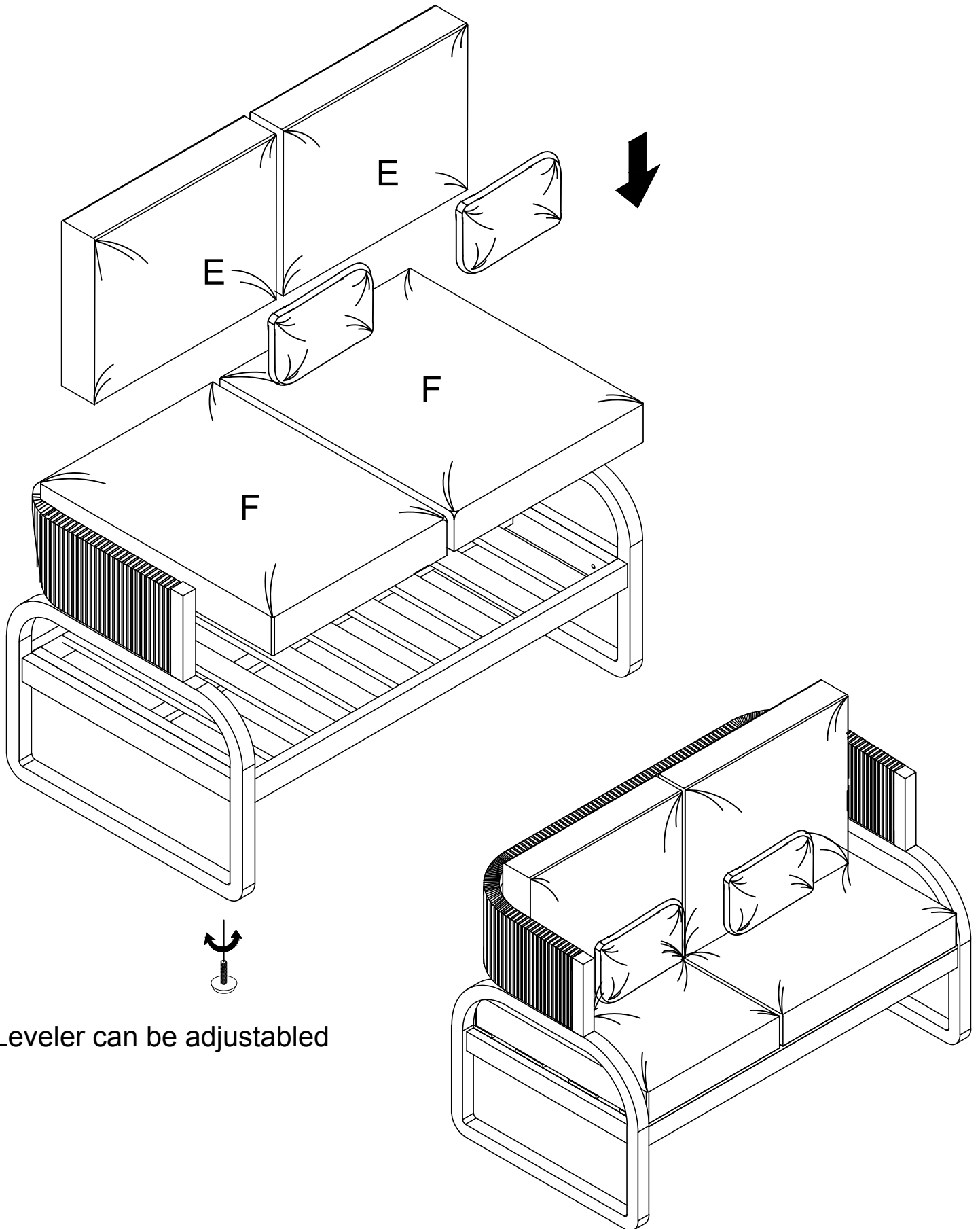
2

Position Back Frame(A) with Left Leg Frame(B), Right Leg Frame(C) by the pre-drilled threads. Use Allen Key(I) to fasten Bolts(H) . Each Leg Frame should have 2 Bolts(H) fastened.Do not tighten 100%. (Photo 2)



3

Fasten all bolts 100%. Place Back Cushion & Pillow(E) and Seat Cushion (F) on the assembled Loveseat as shown.



Leveler can be adjustable

You have completed assembling the furniture - enjoy!