

ASSEMBLY AND CARE INSTRUCTION

Floor Lamp

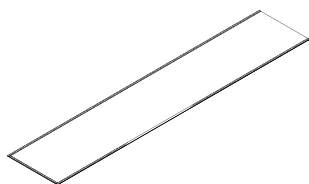
CARE AND MAINTENANCE

Unplug lamps before using any cleaning solutions. Dust shades with a feather duster or with an appropriate vacuum-brush attachment. Wipe with a soft, dry cloth and clean lamp bases with the methods appropriate to the material. Avoid the use of chemicals and household cleaners as they may damage the finish.

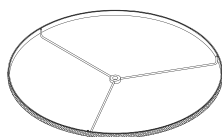
NOTICE & IMPORTANT SAFETY INSTRUCTIONS

- * Please make sure that you have all parts indicated before you begin assembly of this item.
 - * This item should be assembled on a soft surface to prevent scratching the finish during assembly.
 - * To reduce the risk of fire, electrical shock or injury to persons or property, please follow the guideline below for safe use and installation.
 - * The external flexible cable or cord of this luminaire cannot be replaced.
If the cord is damaged, the luminaire shall be destroyed.
- ** This portable lamp has a polarized plug (one blade is wider than the other) as a safety feature to reduce the risk of electric shock, this plug will fit in a polarized outlet only one way, if the plug does not fit fully in the outlet, reverse the plug, if it still does not fit, contact a qualified electrician, never use with an extension cord unless the plug can be fully inserted, do not attempt to defeat this safety feature.

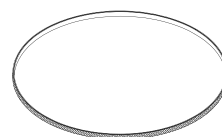
Shade Assembly Instructions



a
Panel
x1



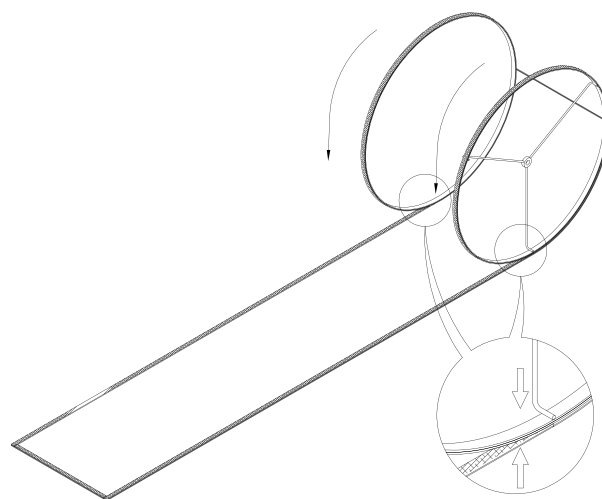
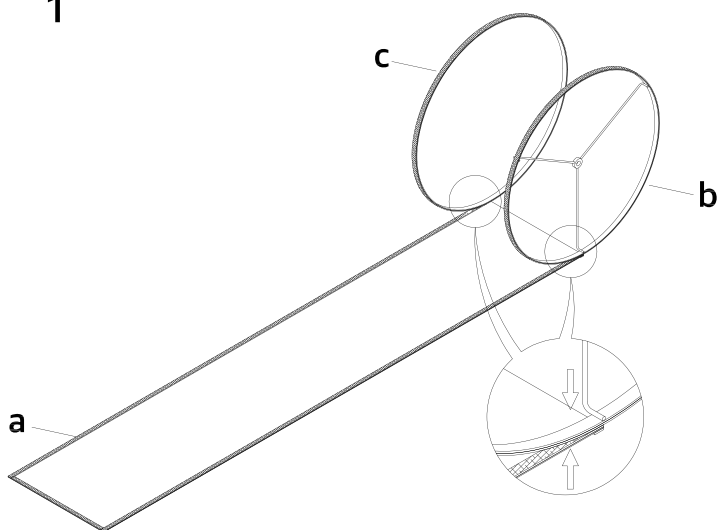
b
Ring
x1



c
Ring
x1

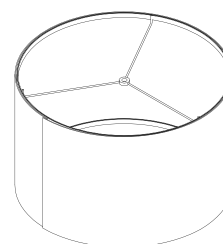
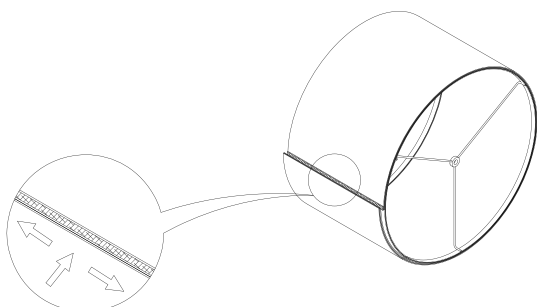
1

2



3

4



PARTS



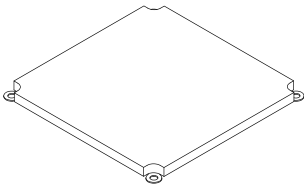
A
Tube
x4



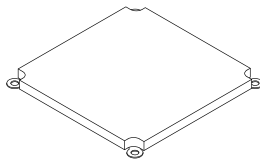
B1
Tube
x4



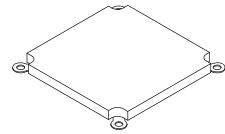
B2
Tube
x8



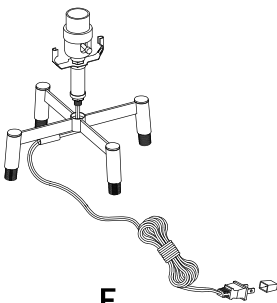
C
Bottom Shelf
x1



D
Middle Shelf
x1



E
Top Shelf
x1



F
Fork frame
x1



G
Harp
x1



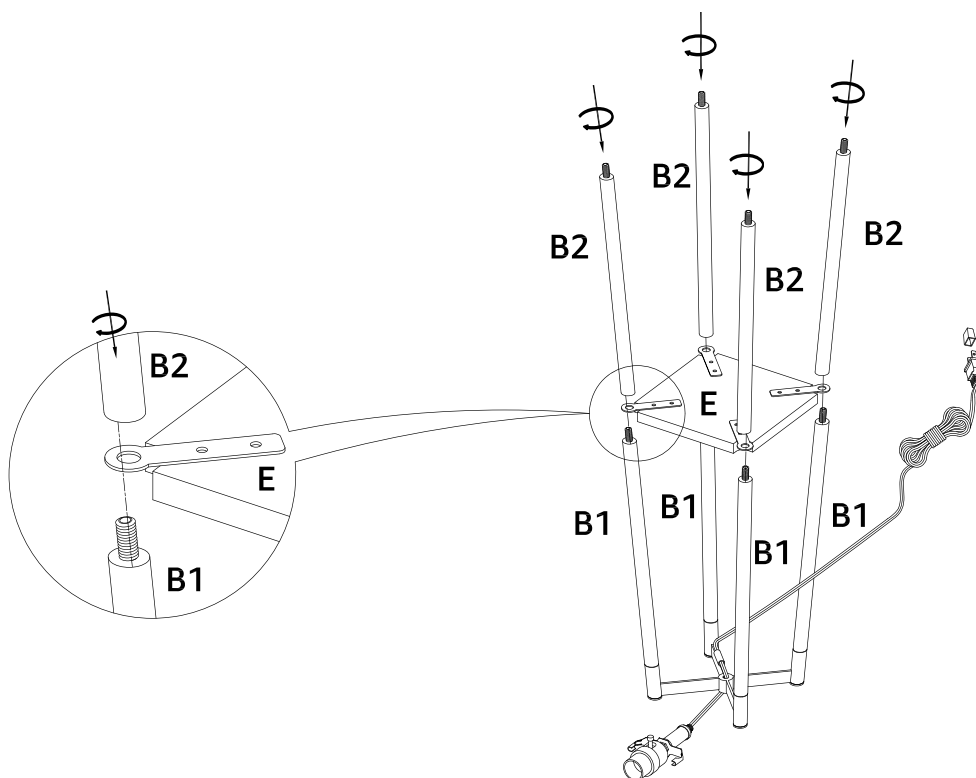
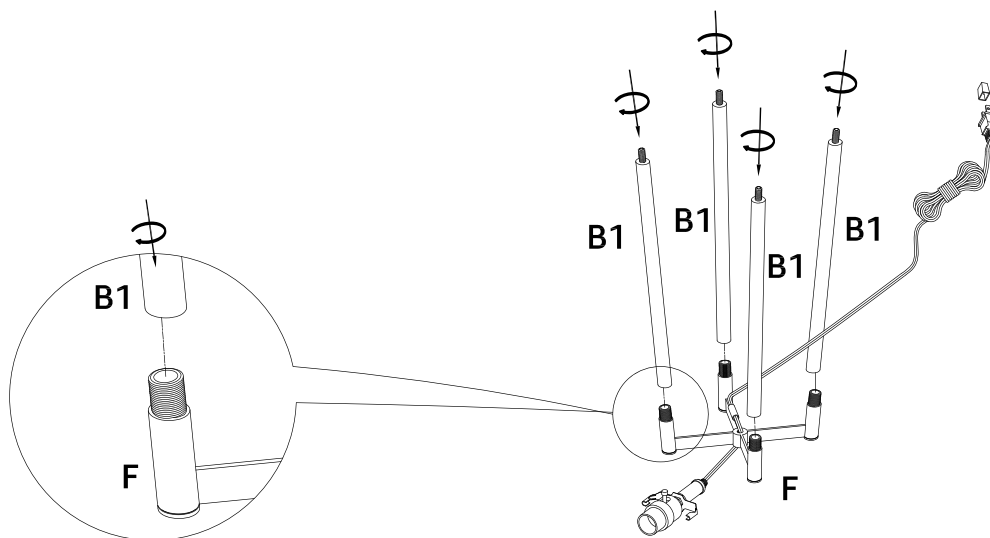
H
Finial
x1

ASSEMBLY INSTRUCTIONS

1

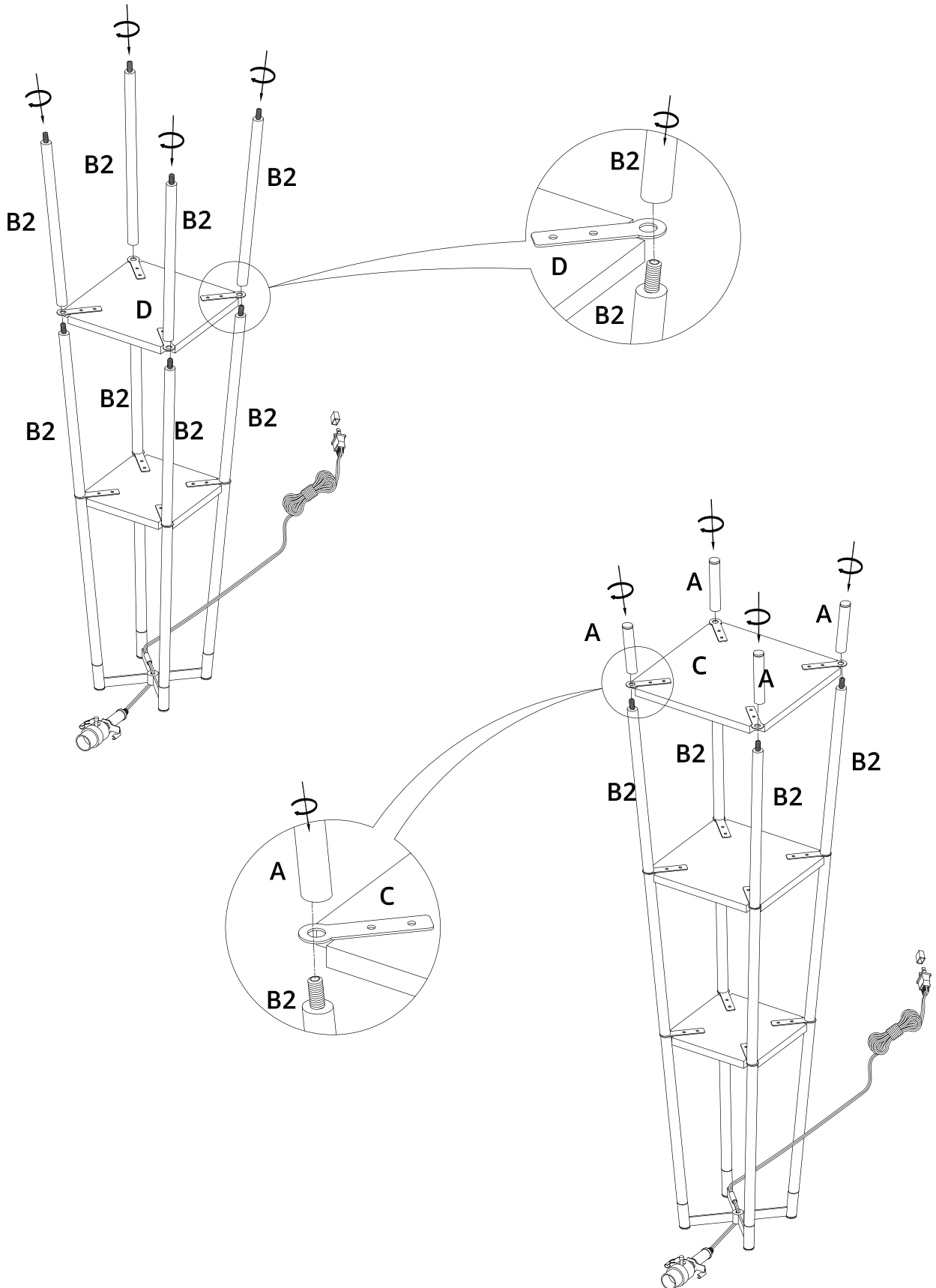
Screw the tube B1 onto the fork frame F.

Put the top shelf E to the tube B1, then screw the tube B2 to the tube B1 through the top shelf E.

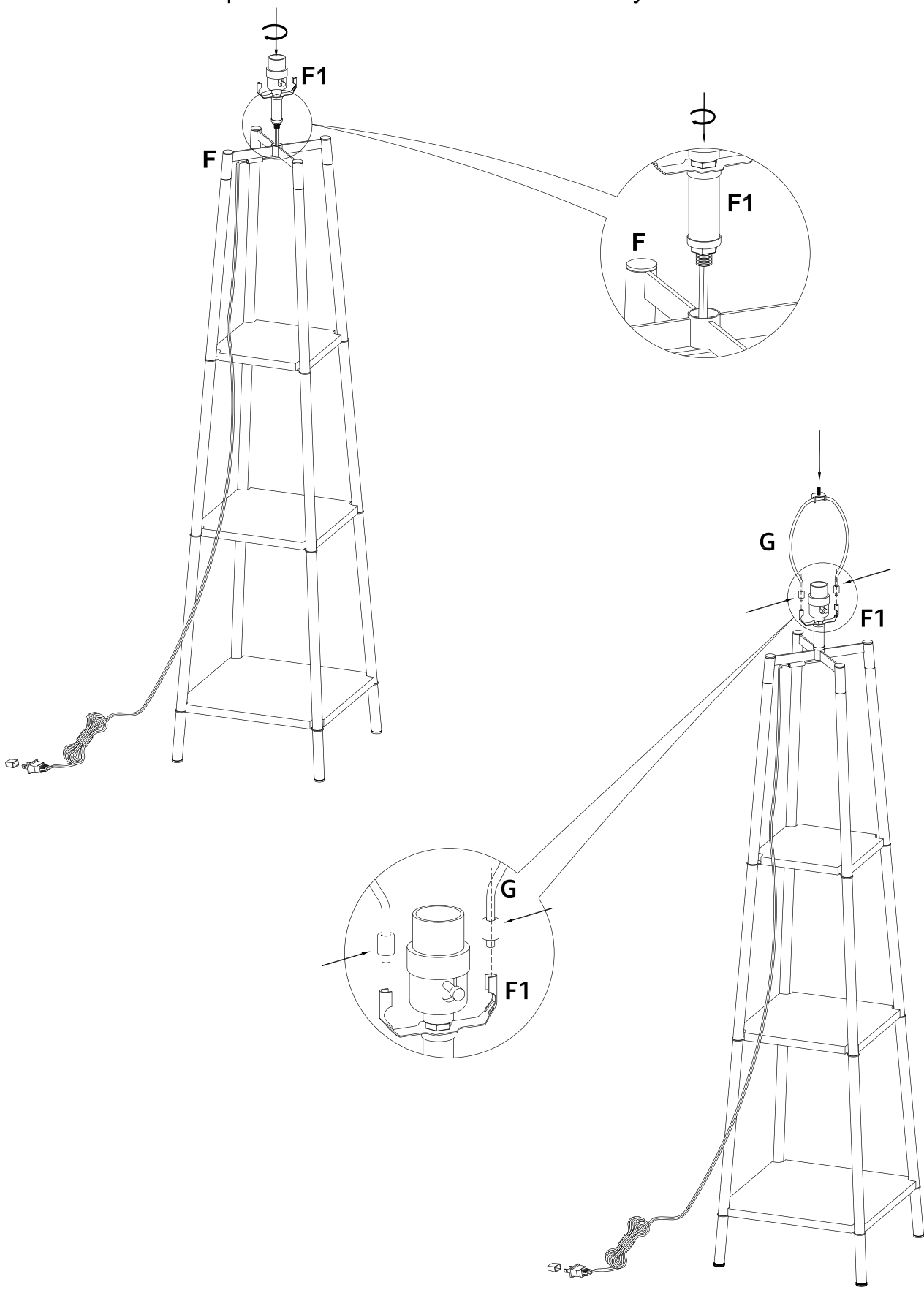


2

Put the middle shelf D to the tube B2, then screw the tube B2 to the tube B2 through the middle shelf D.
Put the bottom shelf C to the tube B2, then screw the tube A to the tube B2 through the bottom shelf C.



- 3** Screw the saddle of socket assembly F1 to fork frame F.
Screw off the harp G and the finial H at first.
Insert the harp G into the saddle of socket assembly F1.



- 4 Put the shade on the Harp G, then tighten the finial H into the harp G. Put the light on the level surface to check if everything is stable.

