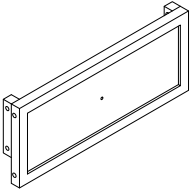
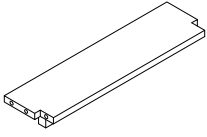
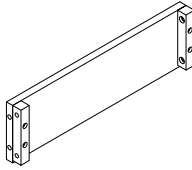
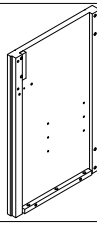
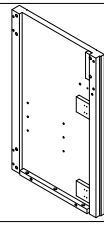
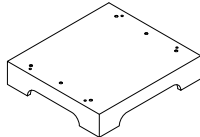
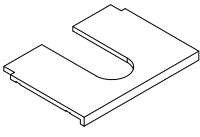
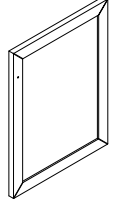
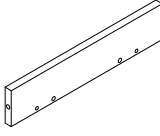
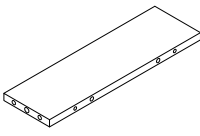
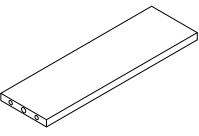

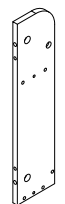
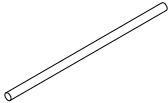
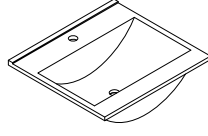
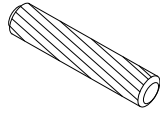
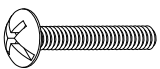
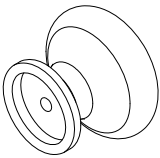
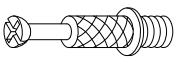
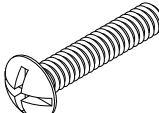
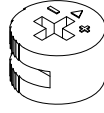
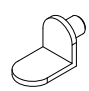

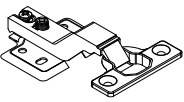
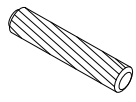


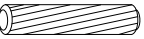
PRODUCT PARTS:


A	B	C	D	E	F
					
1PC	1PC	2PCS	1PC	1PC	1PC
G	H	I	J	K	L
					
1PC	1PC	1PC	1PC	1PC	1PC
M	N	O			
					
1PC	1PC	1PC			


HARDWARE:

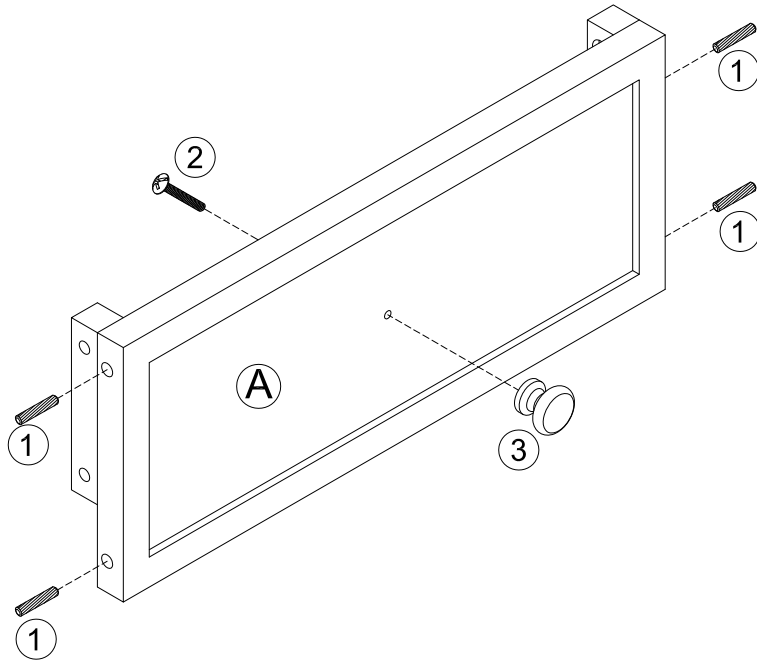
①	②	③	④	⑤	⑥
					
Ø8x30mm	5/32"x18mm		Ø6x33mm	1/4"x25mm	Ø15x9mm
20+2 PCS	2PCS	2PCS	12+1 PCS	18+1 PCS	12+1 PCS
⑦	⑧	⑨	⑩		
					
	Ø4x12mm		Ø6x30mm		
4PCS	12+1PCS	2PCS	16+1PCS		

STEP 1


①  4pcs
Ø8x30mm

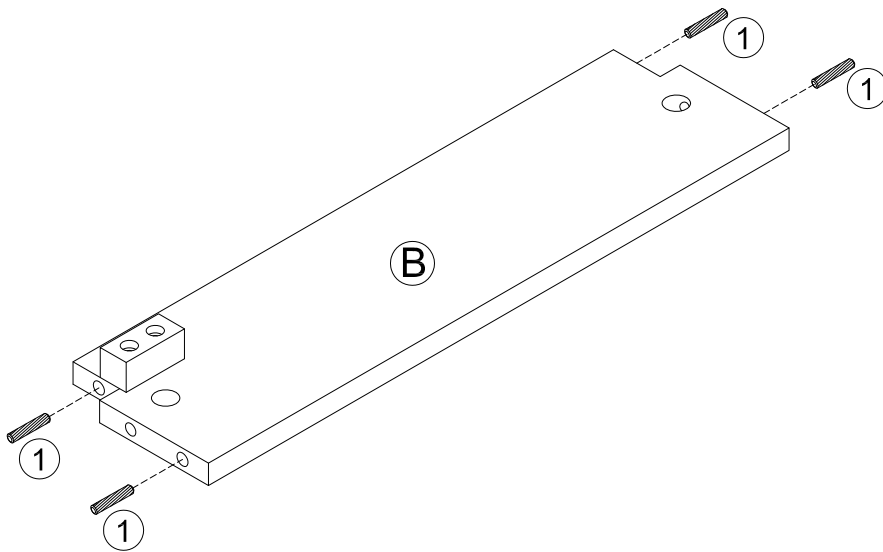
②  1pc
5/32"x18mm

③  1pc

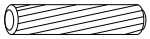


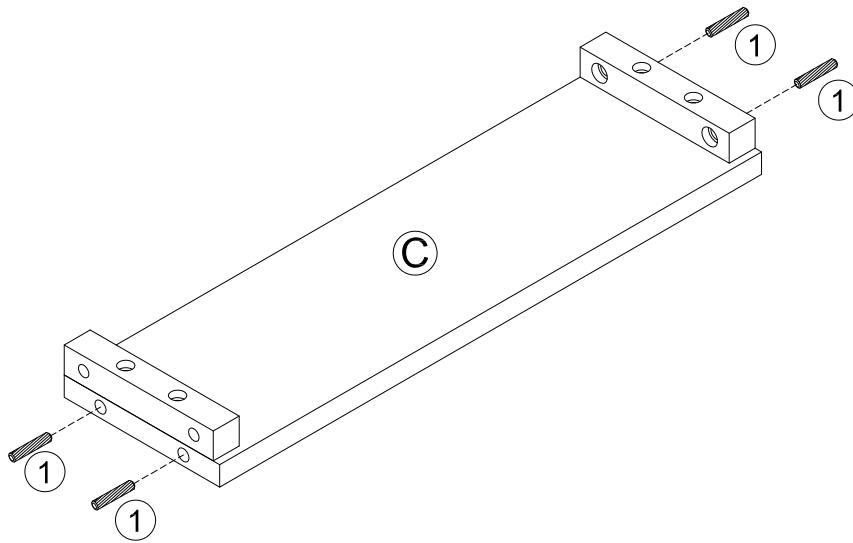
STEP 2

①  4pcs
Ø8x30mm




STEP 3

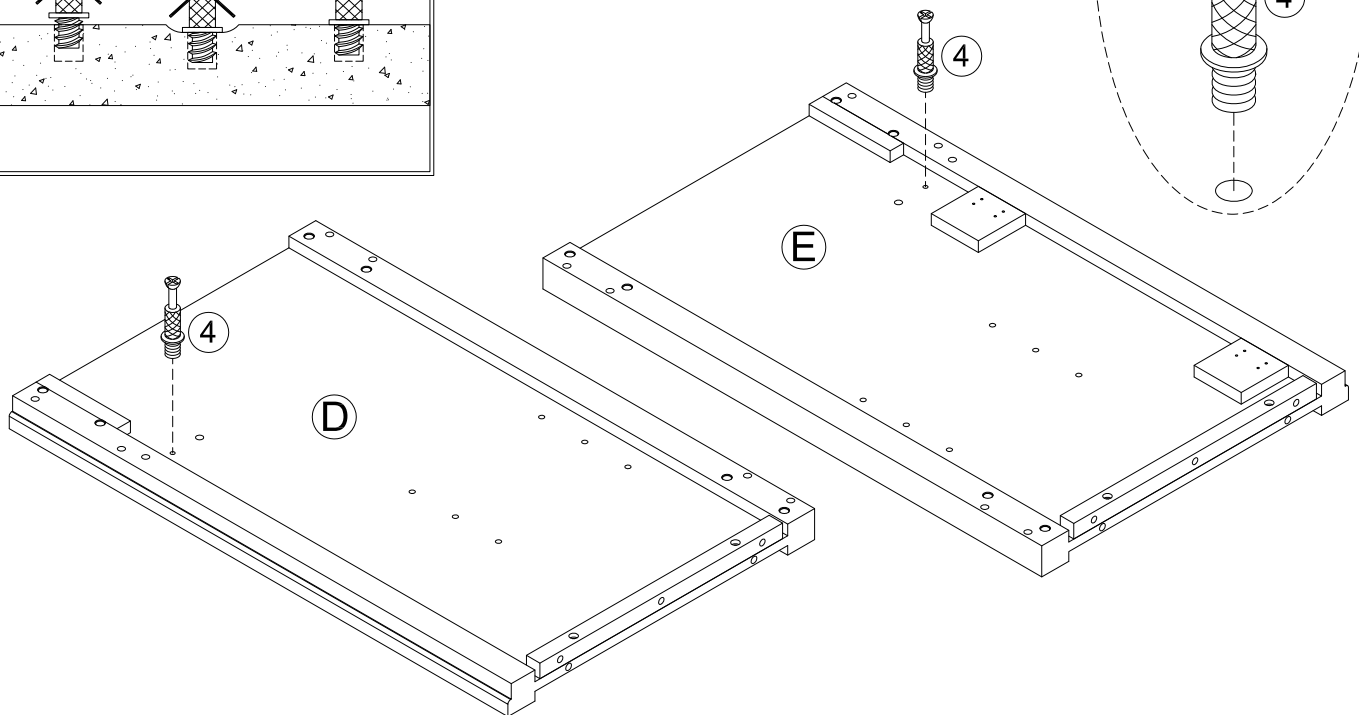
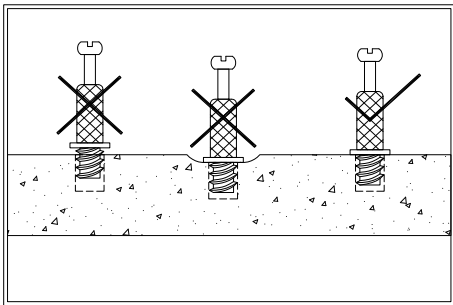
- ①  8pcs
Ø8x30mm



x 2

STEP 4

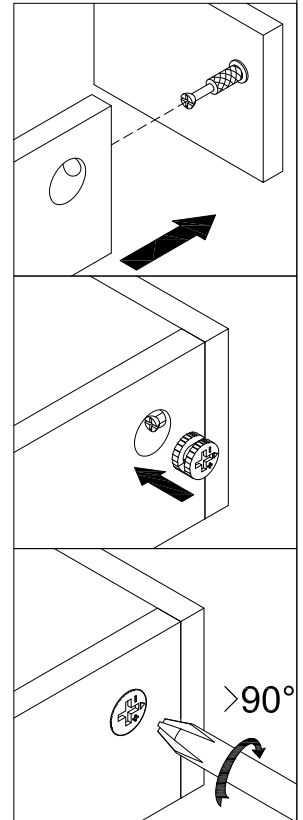
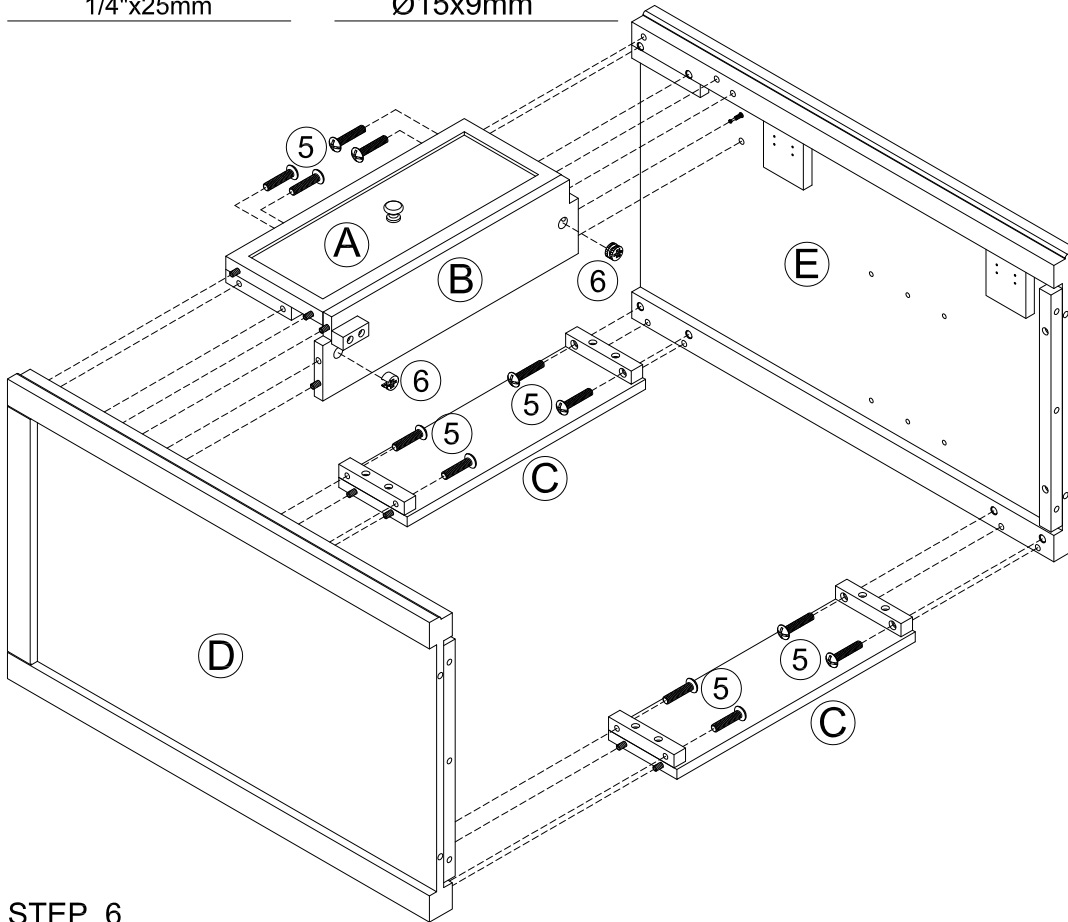
- ④  2pcs
Ø6x33mm




STEP 5

⑤  12pcs
1/4"x25mm

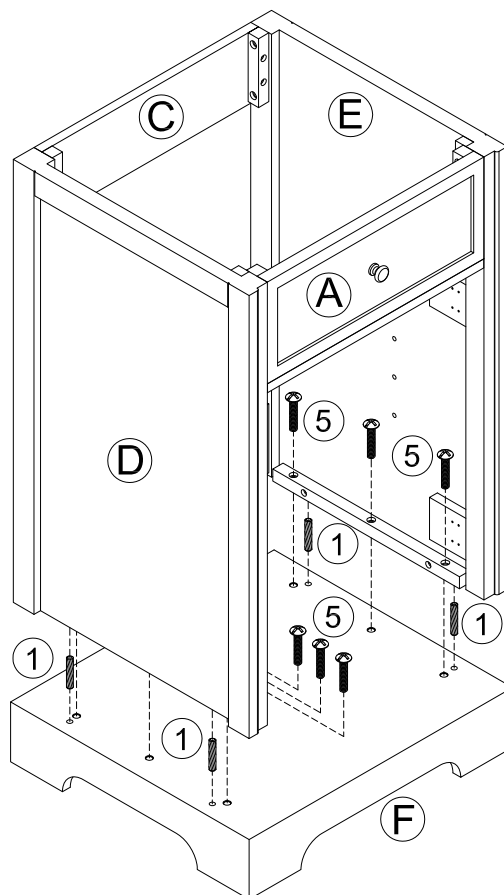
⑥  2pcs
Ø15x9mm



STEP 6

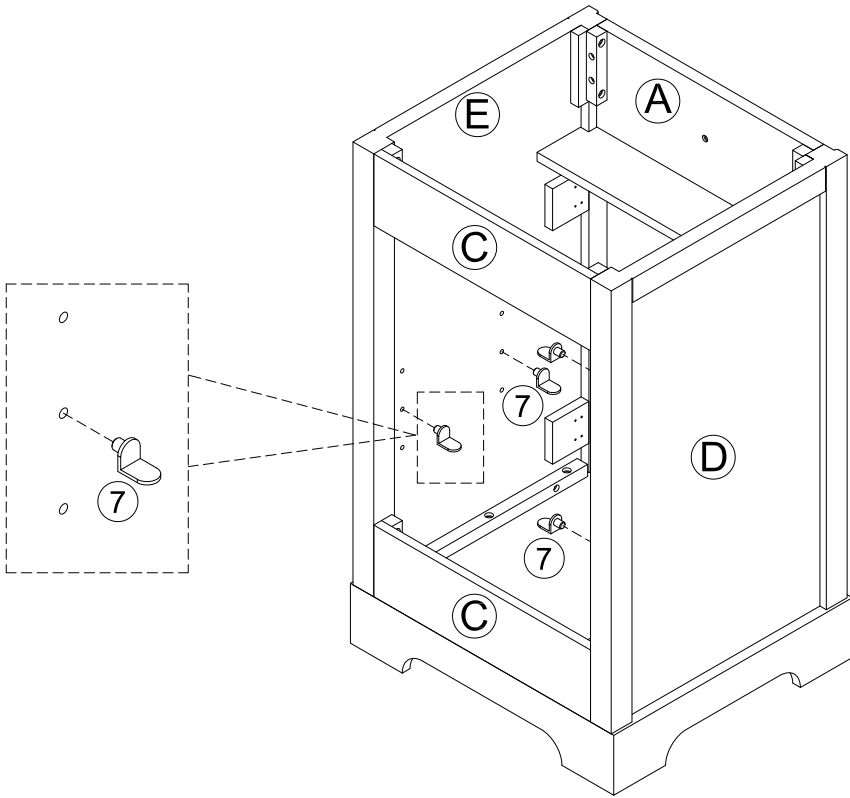
①  4pcs
Ø8x30mm

⑤  6pcs
1/4"x25mm

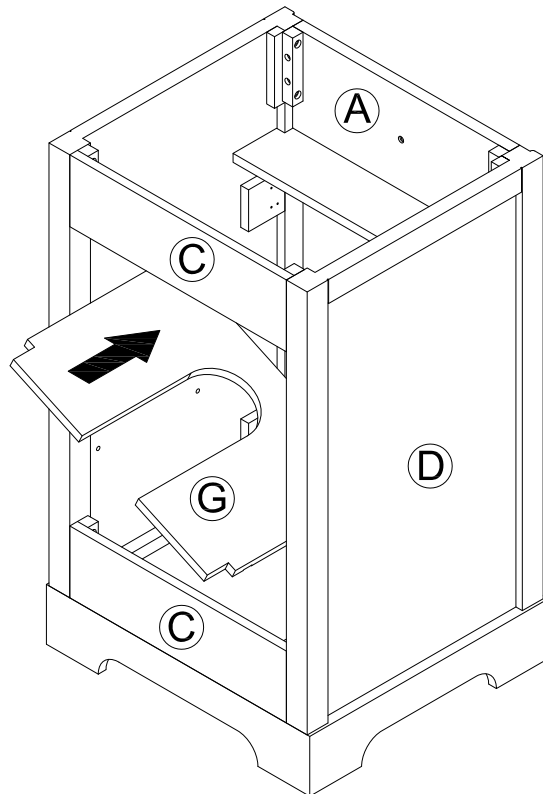


STEP 7

⑦ 4pcs

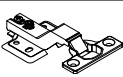


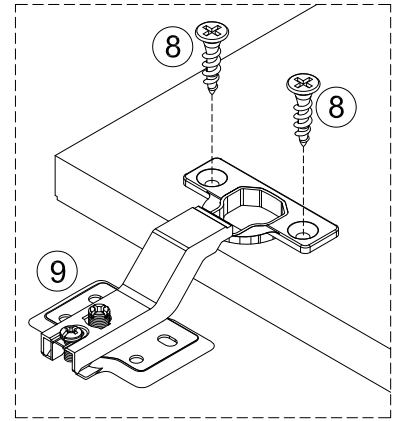
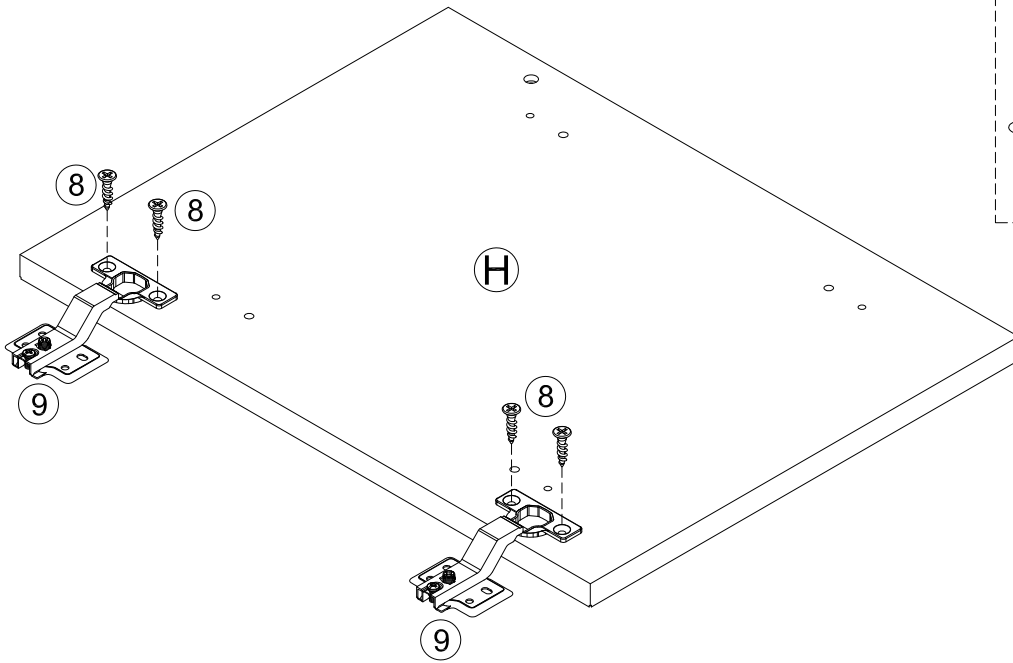
STEP 8




STEP 9

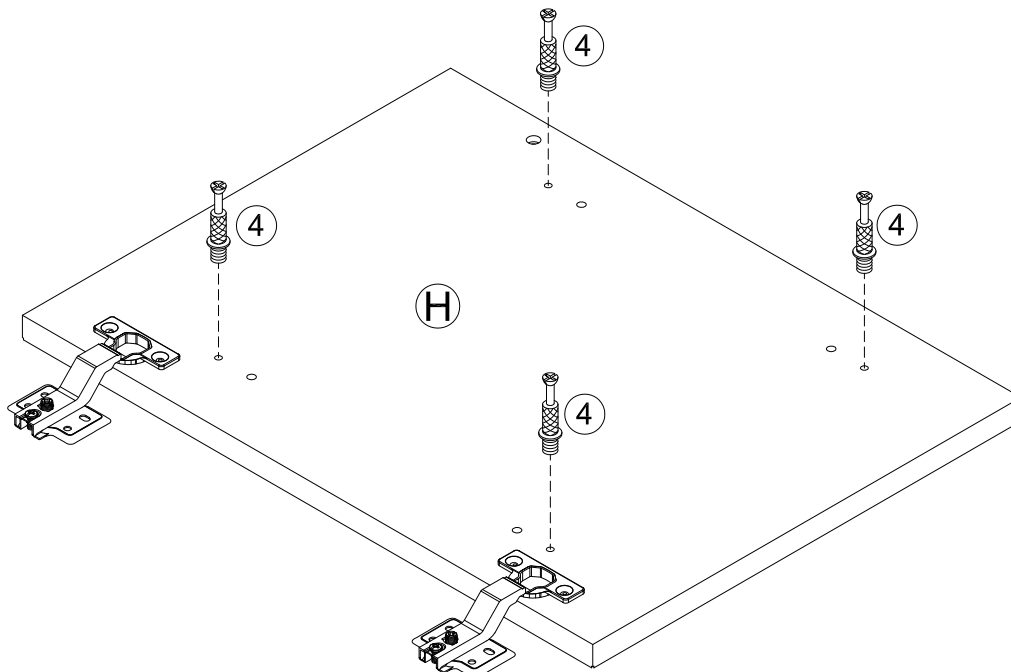
⑧  4pcs
Ø4x12mm

⑨  2pcs

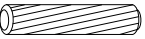



STEP 10

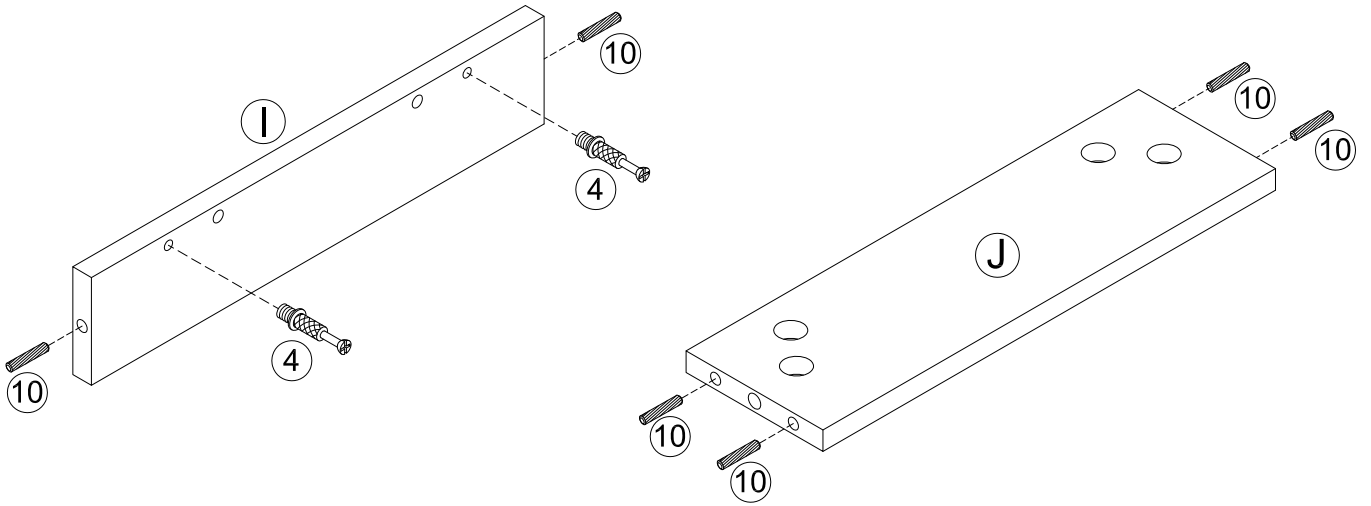
④  4pcs
Ø6x33mm




STEP 11

⑩  6pcs
Ø6x30mm

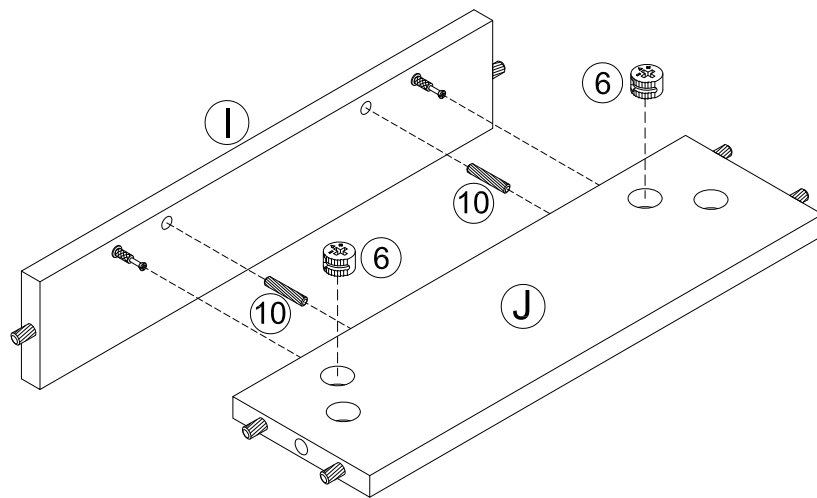
④  2pcs
Ø6x33mm



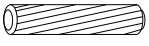
STEP 12

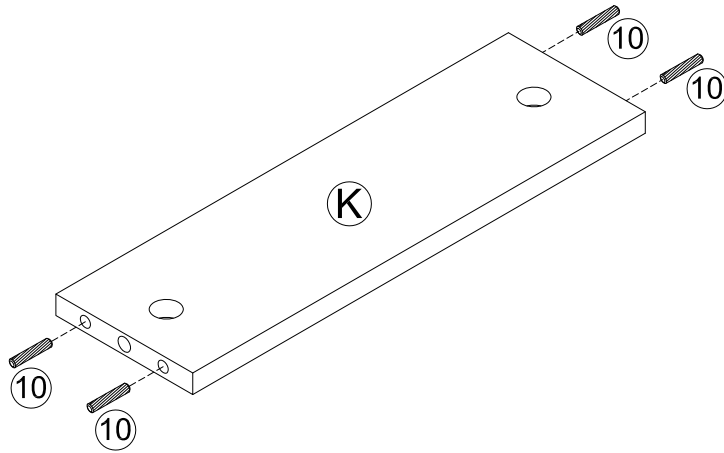
⑩  2pcs
Ø6x30mm

⑥  2pcs
Ø15x9mm

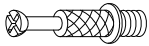


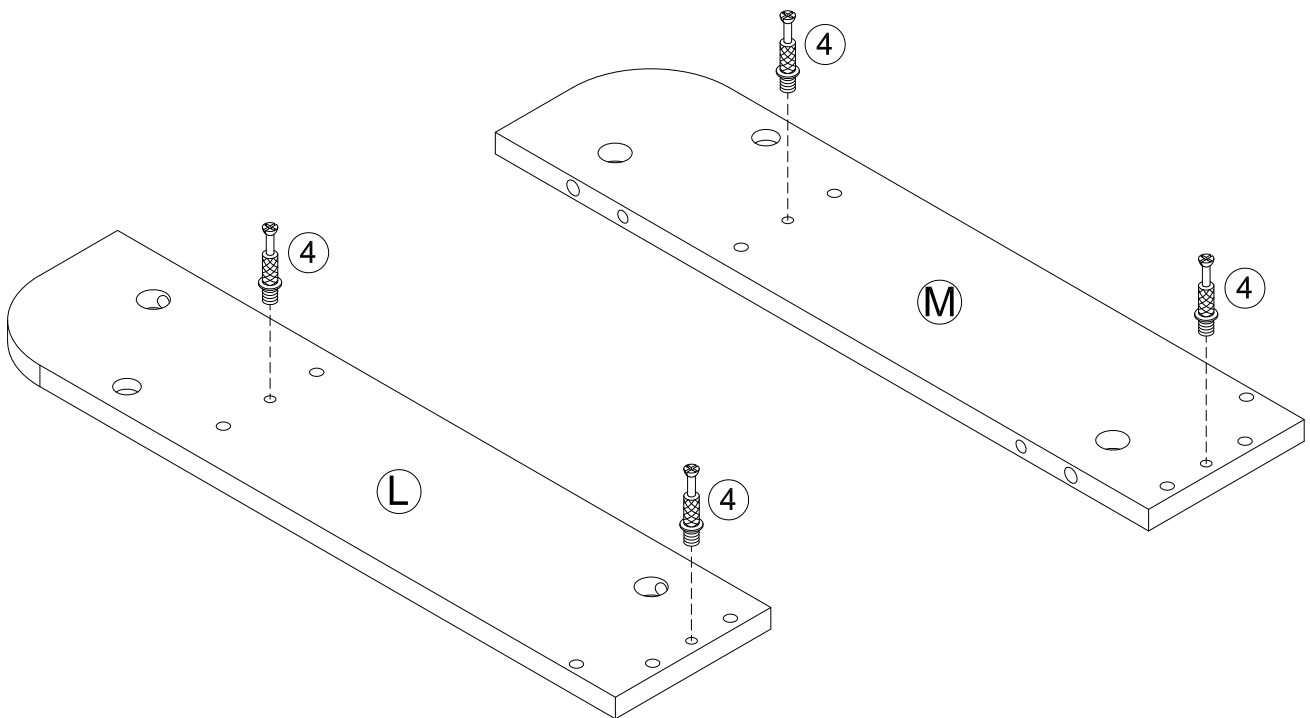
STEP 13

⑩  4pcs
Ø6x30mm



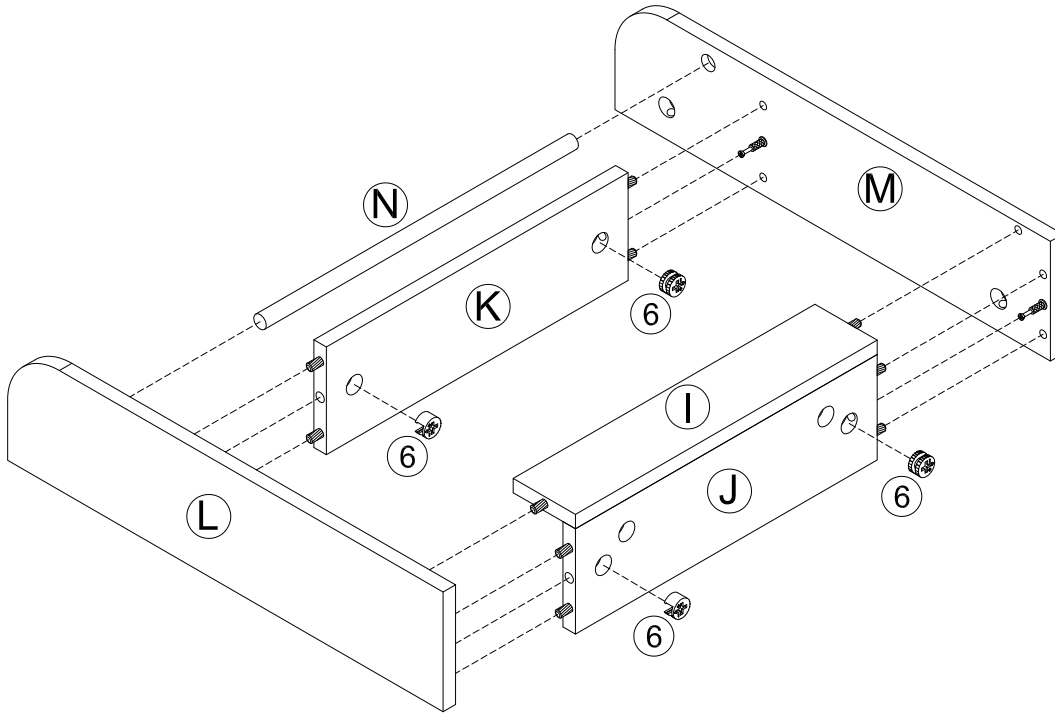
STEP 14

④  4pcs
Ø6x33mm





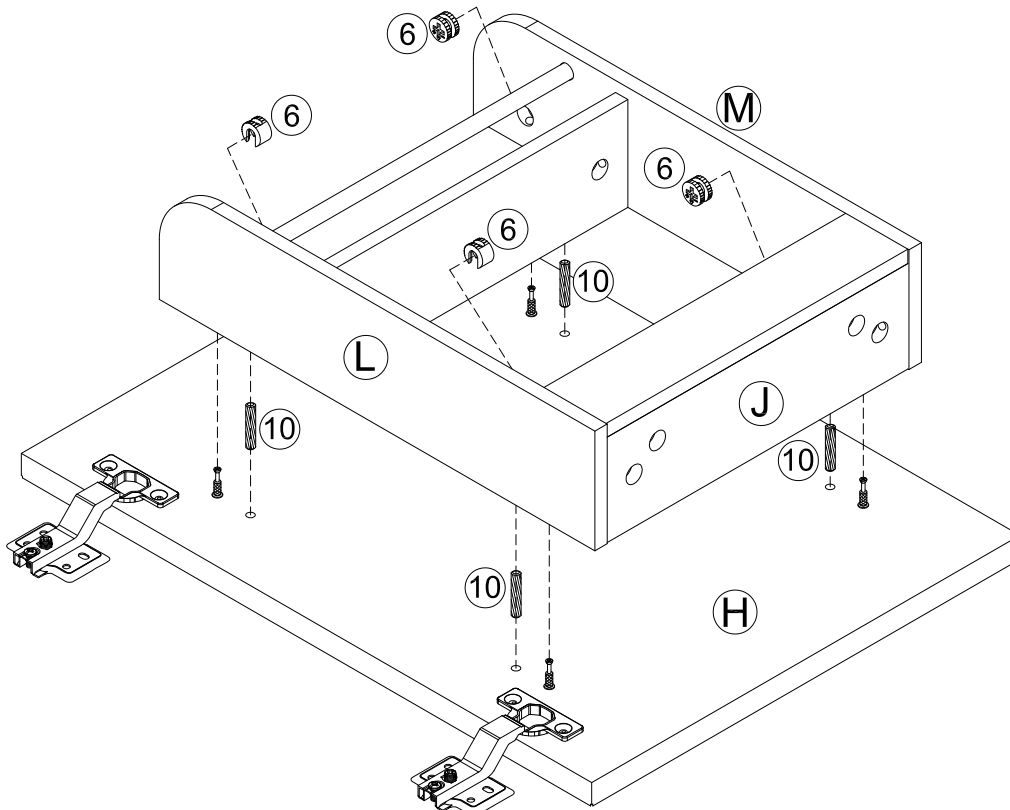
STEP 15

- ⑥  4pcs
Ø15x9mm



STEP 16

- ⑩  4pcs
Ø6x30mm
- ⑥  4pcs
Ø15x9mm

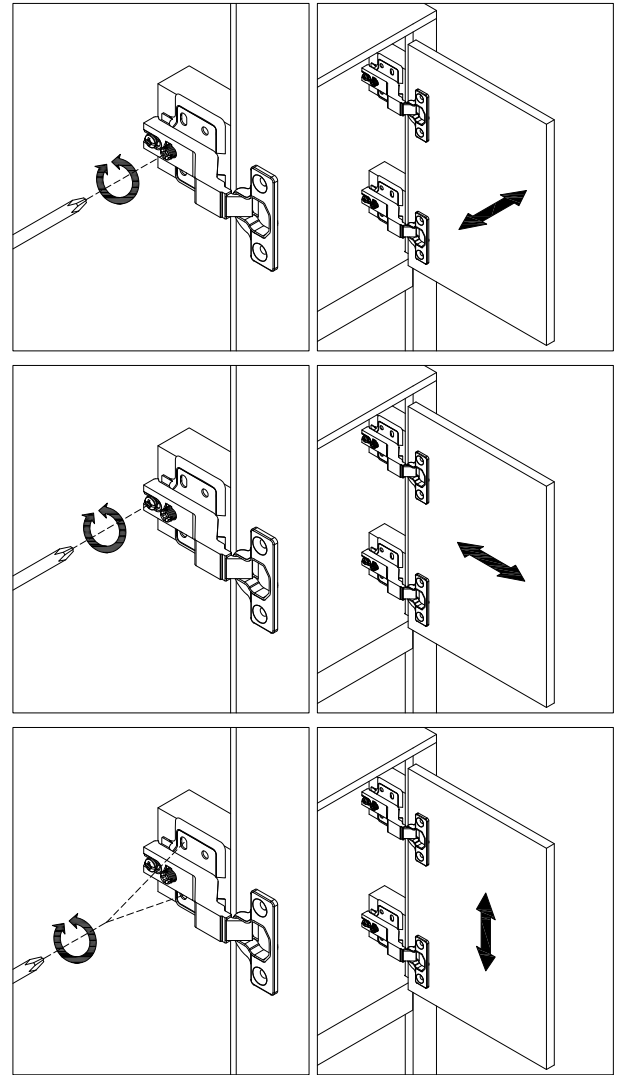
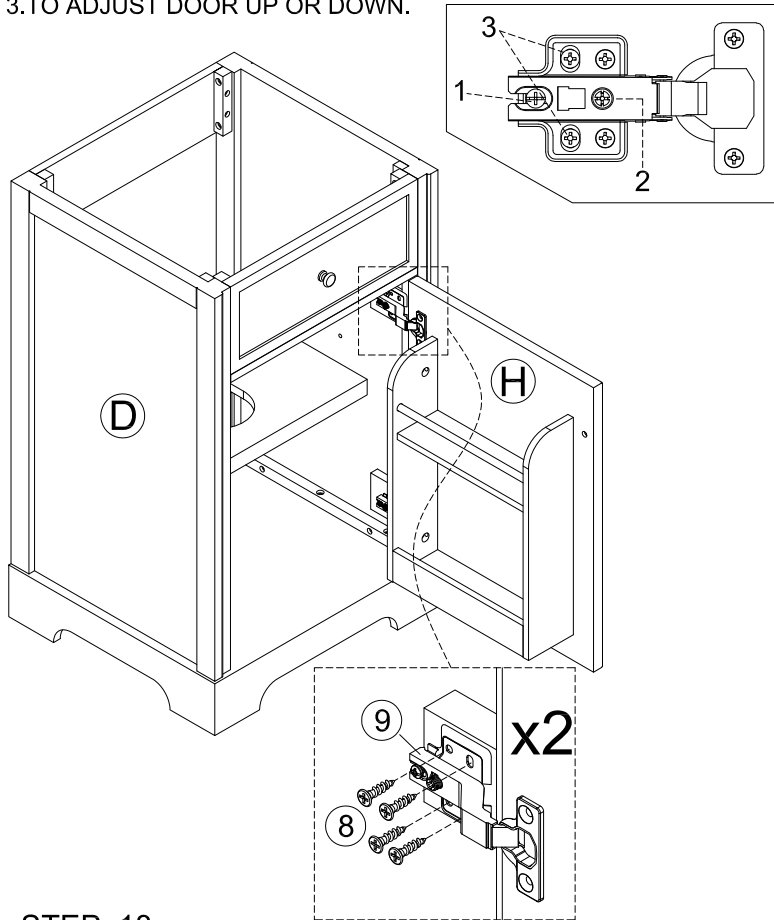


STEP 17


⑧  8pcs
 Ø4x12mm

Three-way adjustable hinge for perfectly aligned doors

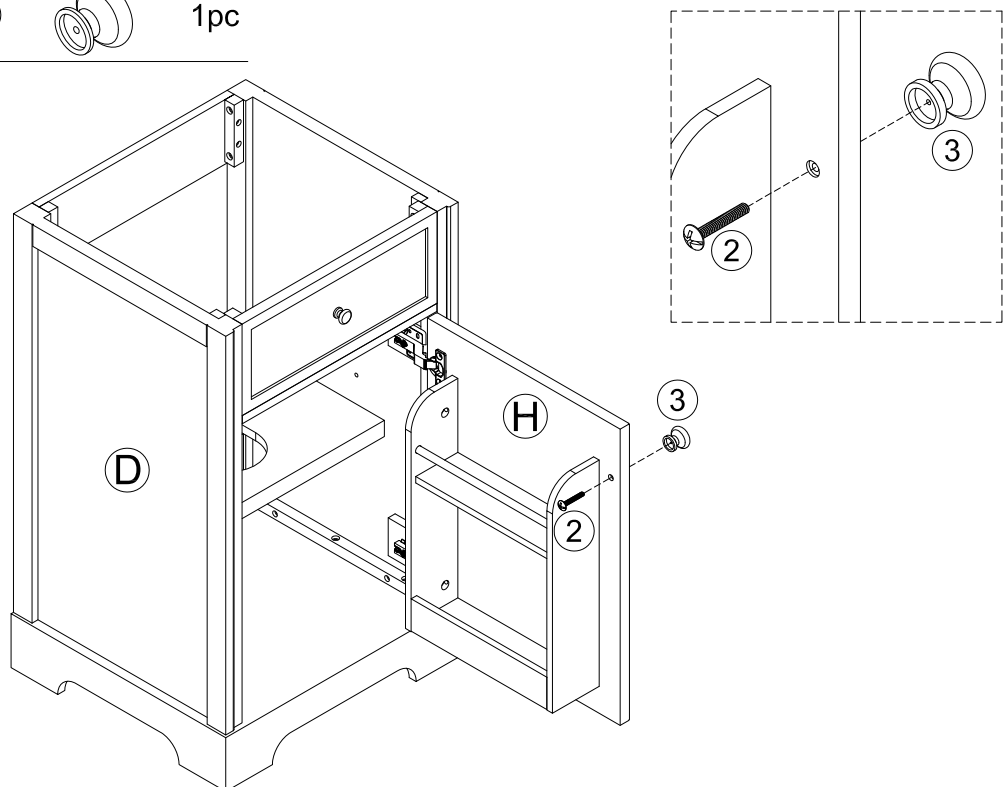
1. TO ADJUST DOOR FORWARD OR BACKWARD.
2. TO ADJUST DOOR TO RIGHT OR TO LEFT.
3. TO ADJUST DOOR UP OR DOWN.



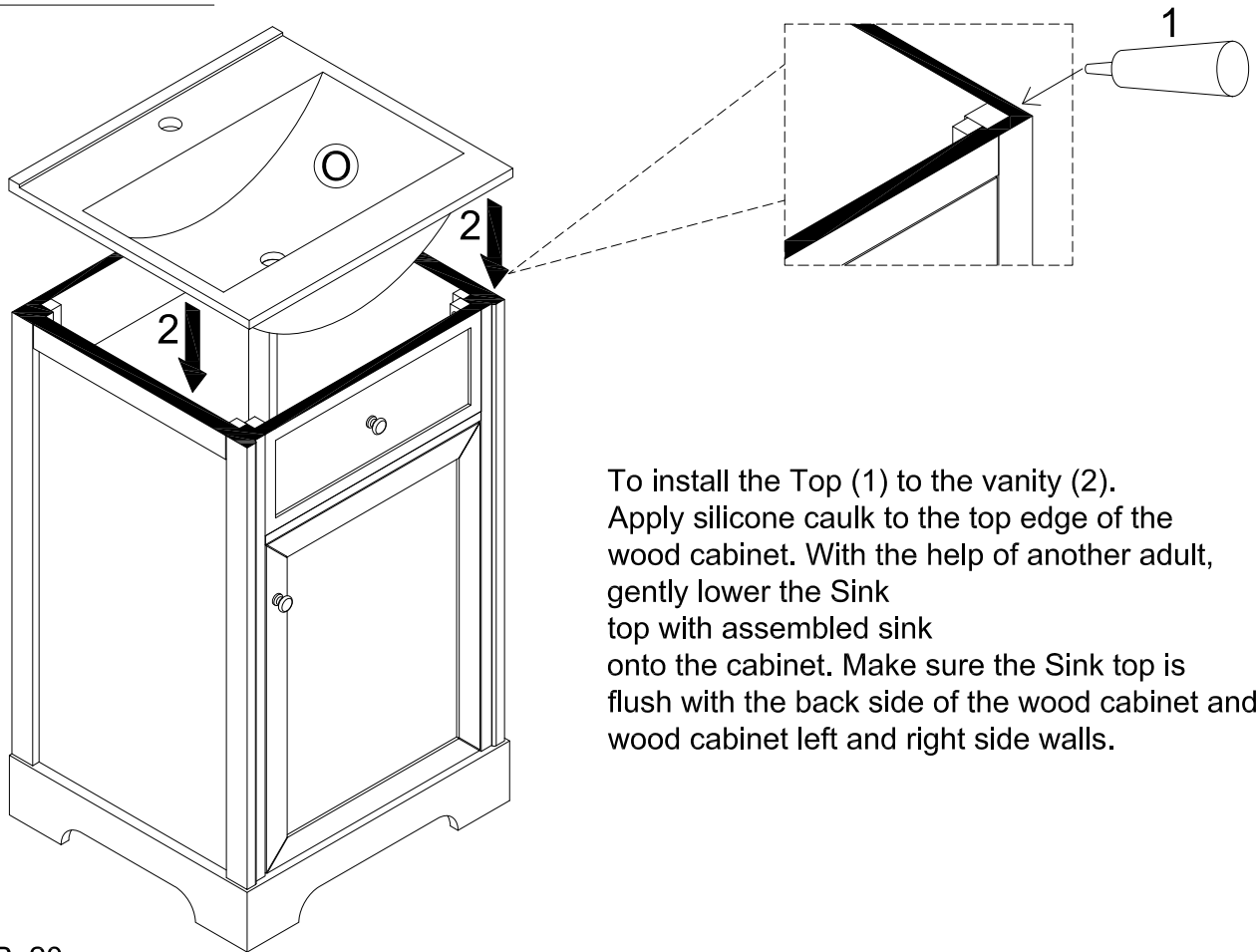
STEP 18

②  1pc
 5/32"x18mm

③  1pc



STEP 19



To install the Top (1) to the vanity (2). Apply silicone caulk to the top edge of the wood cabinet. With the help of another adult, gently lower the Sink top with assembled sink onto the cabinet. Make sure the Sink top is flush with the back side of the wood cabinet and the wood cabinet left and right side walls.

STEP 20

