

ASSEMBLY INSTRUCTION

ACCENT CHAIR

A Seat



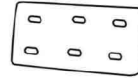
1pc

B Front Leg



1pc

C Connecting Plate



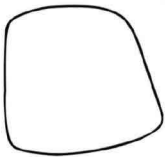
1pc

D Rear Leg



1pc

E Back



1pc

F Screw

M6x30mm



2 pcs

G Screw

M6x45mm



4pcs

H Screw

M6x50mm



6 pcs

I Lock Washer

M6



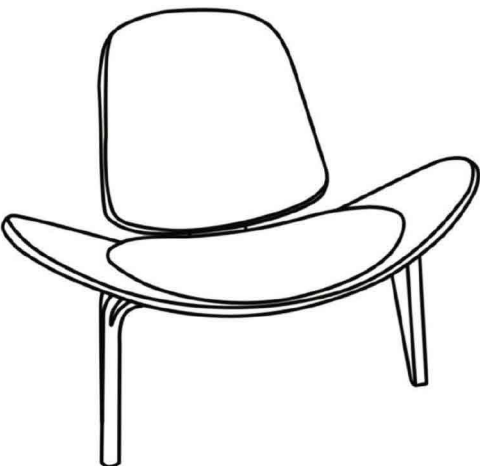
12pcs

J Wrench

M6

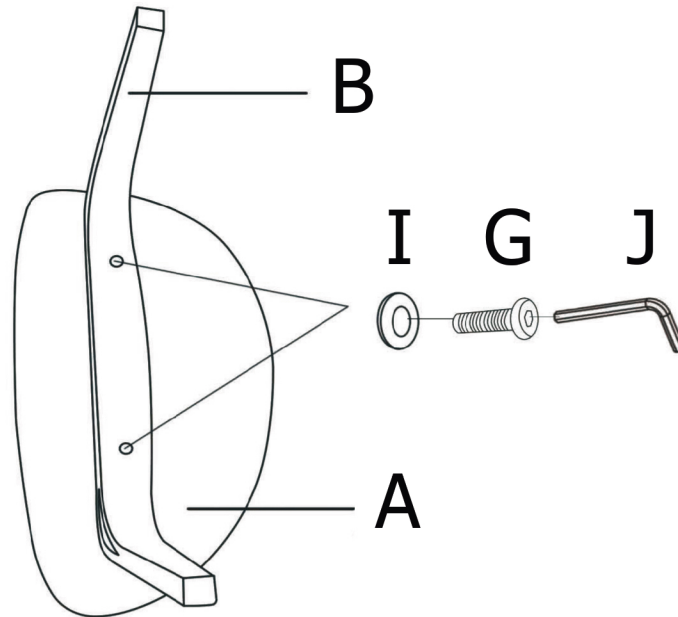


1pc

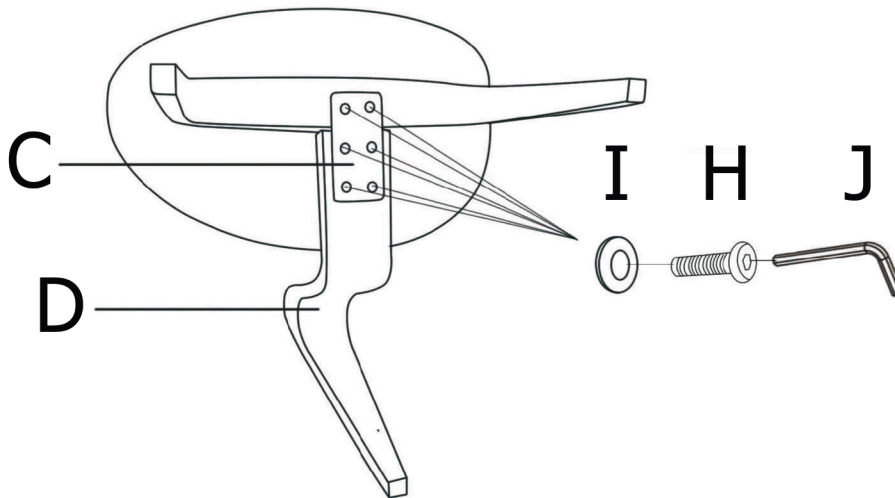


This page lists all the contents included in the box. Please take the time to identify the hardware as well as the individual components to this product. As you unpack and prepare for assembly, place the contents on a carpeted or padded area to protect product from damage.

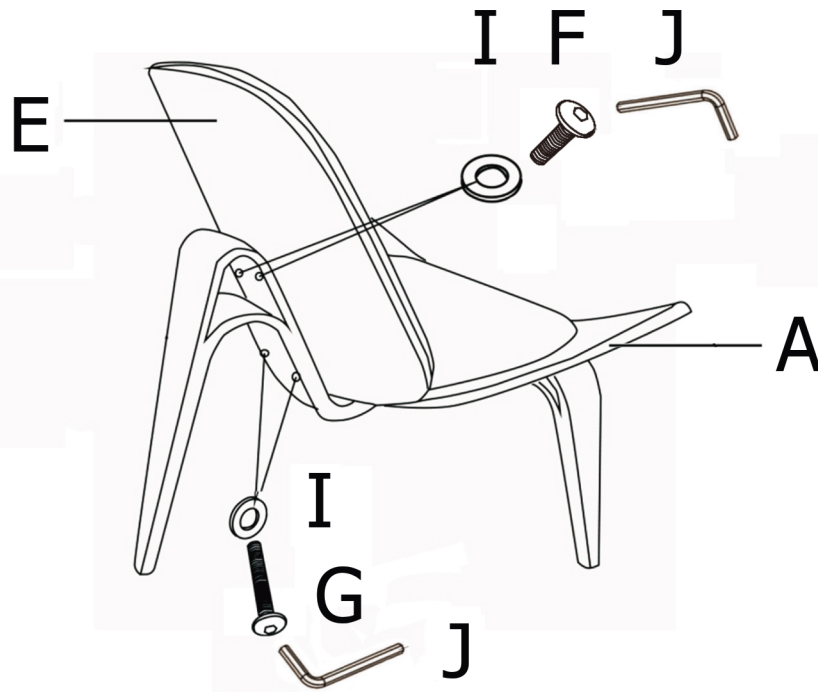
- 1** Install front leg (B) to seat (A) with wrench (J) turn the screw (G) and lock washer (I) in it. Make sure screw (G) is tight.



- 2** Install rear leg (D) with connecting plate (C) use wrench (J) turn the screw (H) and lock washer (I) in it. Make sure screw (H) is tight.



- 3** Install back (E) to seat (A) with wrench (J) turn the screw (F), screw (G) and lock washer (I) in it. Make sure screw (F) screw (G) tightly.



Cleaning & Care

Treat surface with care. Surface is resistant to scratches but is not scratch resistant. Clean surfaces with a dry or damp soft cloth. Do not use abrasive cleaners. Hardware may loosen over time. Periodically check that all connections are tight.