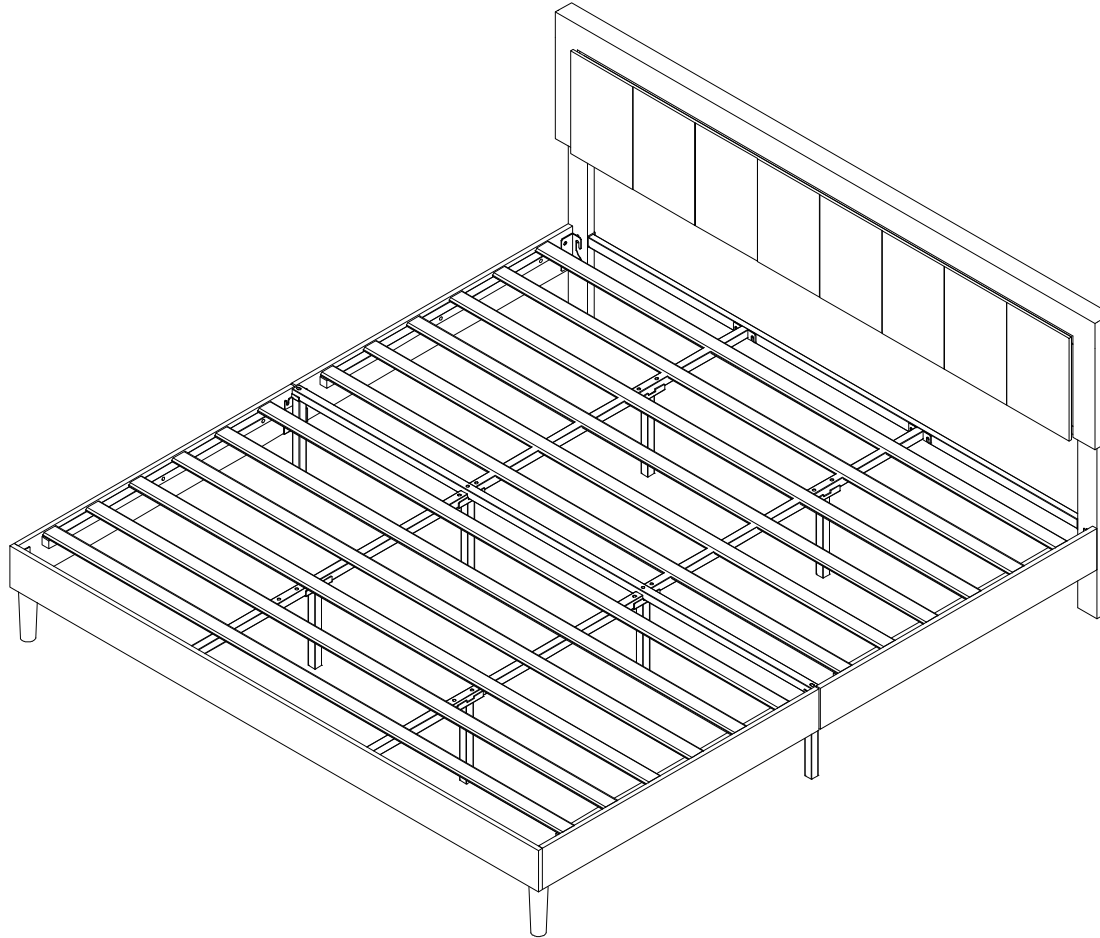


Assembly Instruction

Note:

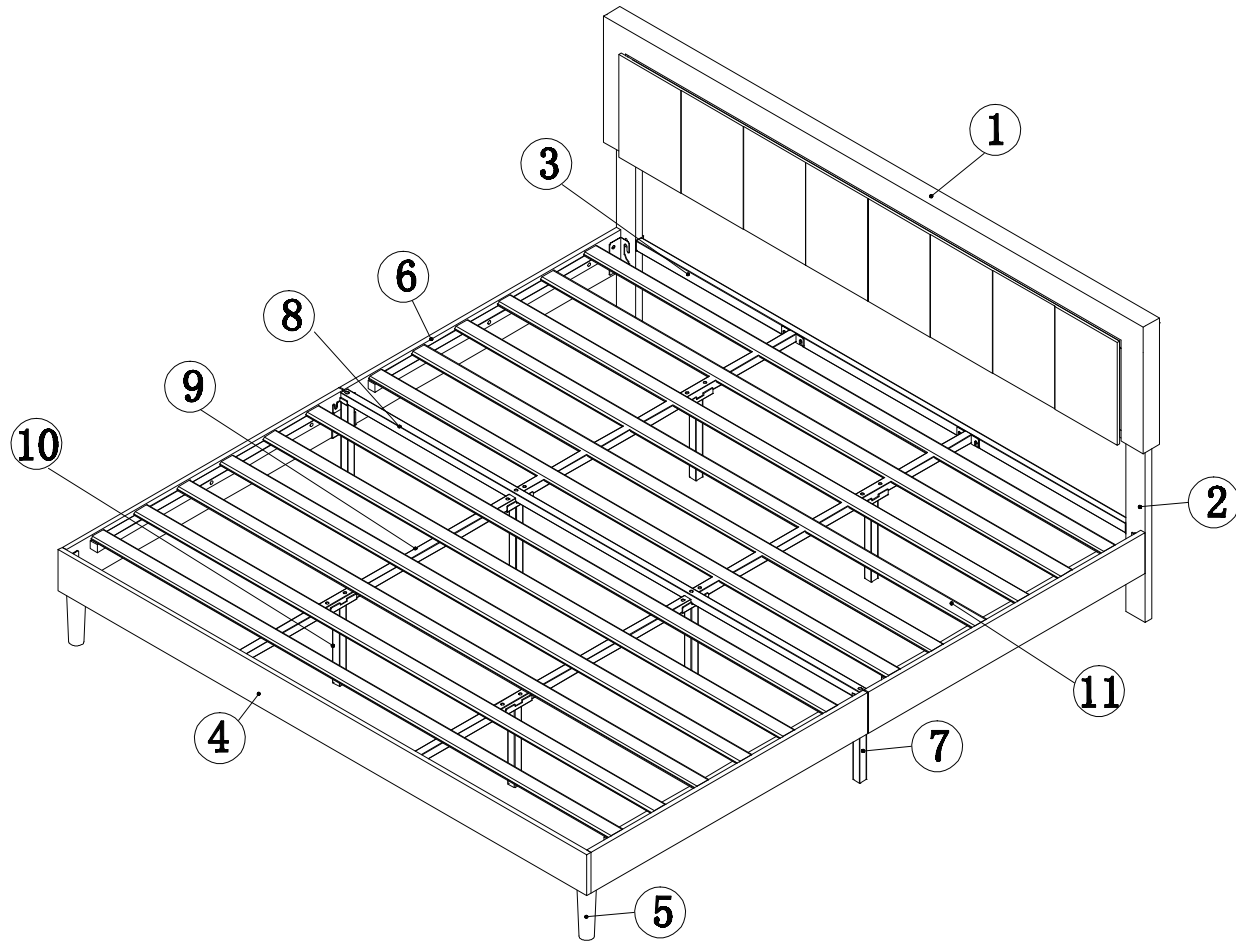
- 1. Should be assembled on flat ground to keep balance.**
- 2. Before completing the installation, do not tighten the screws.**



It needs at least two people to install.





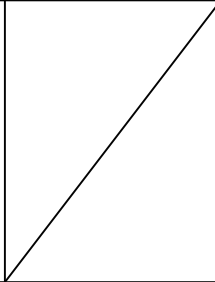
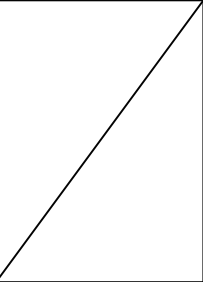
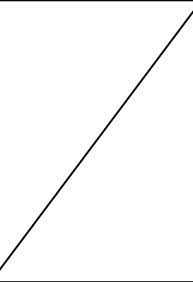
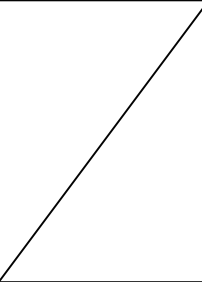
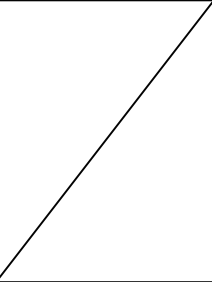


Before starting the assembly, you must read the whole manual and follow the instructions.

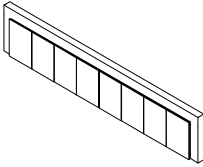
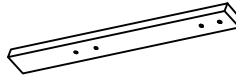
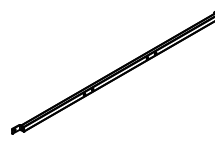
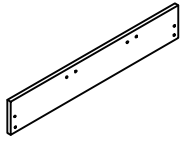

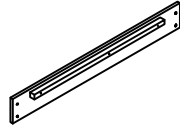

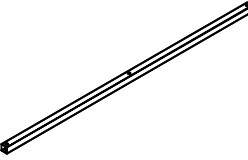
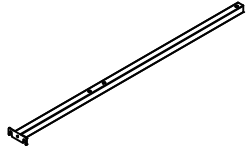
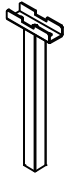
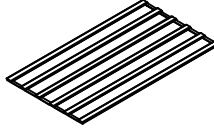


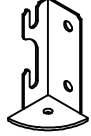
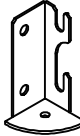


Assembly Instruction



Hardware arts

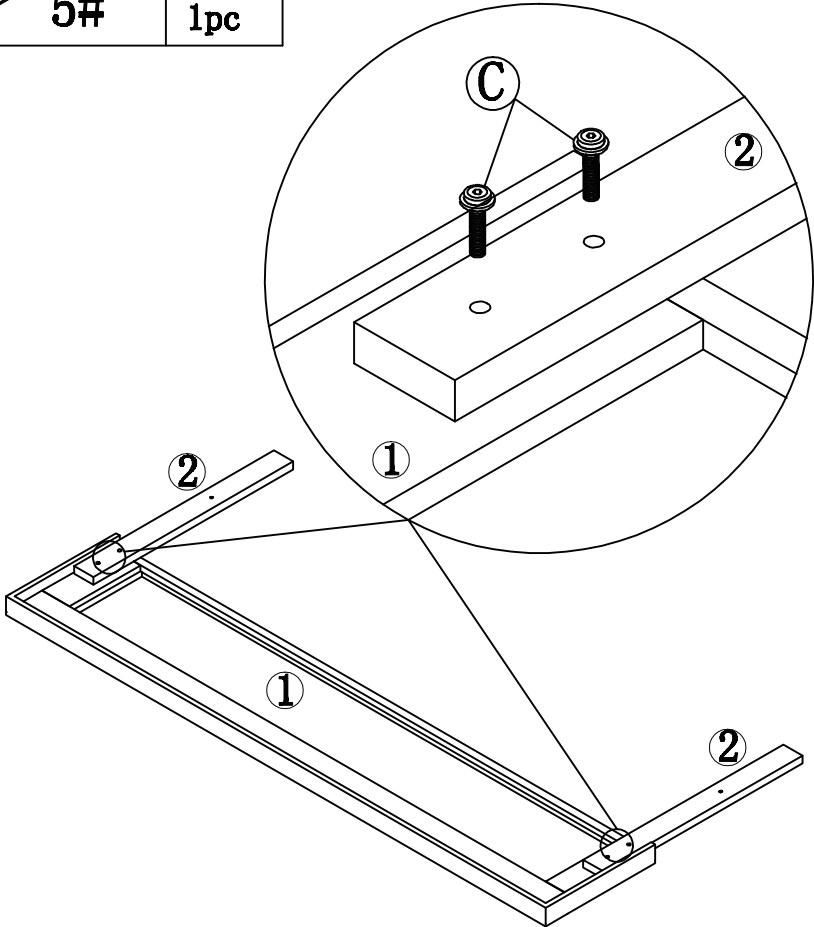
 Ⓐ M8x15 34pcs	 Ⓑ M8x35 14 pcs	 Ⓒ M8x45 6 pcs	 Ⓓ 5 # 1 PC					
--	---	--	---	--	---	---	---	---

Part list



 Ⓛ 1 PC	 Ⓜ 2 PCS	 Ⓝ 1 PC	 Ⓟ 1 PC	 Ⓡ 2 PCS	 Ⓢ 4 PCS	 Ⓣ 2 PCS
 Ⓢ 1 PC	 Ⓣ 4 PCS	 Ⓤ 6 PCS	 Ⓥ 2 PCS	 Ⓦ 1 PC	 Ⓧ 1 PC	 Ⓨ 1 PC
 Ⓩ 1 PC						

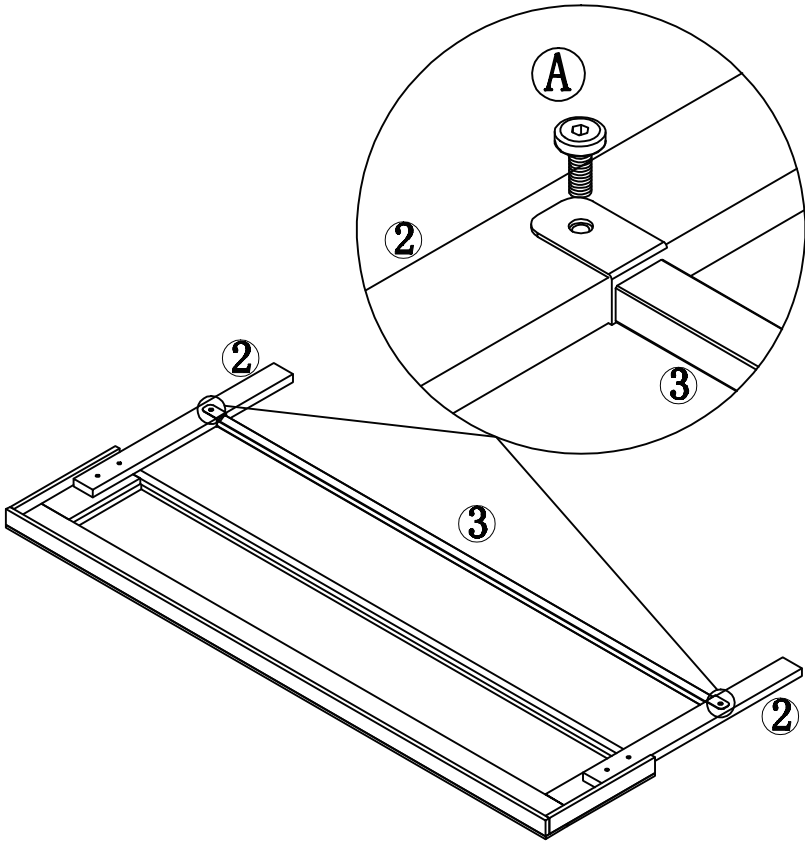
Assembly Instruction

C	 M8x45	4pcs
D	 5#	1pc





Attach Part (2) to Part (1) with Bolt (C) using Hex Key (D).

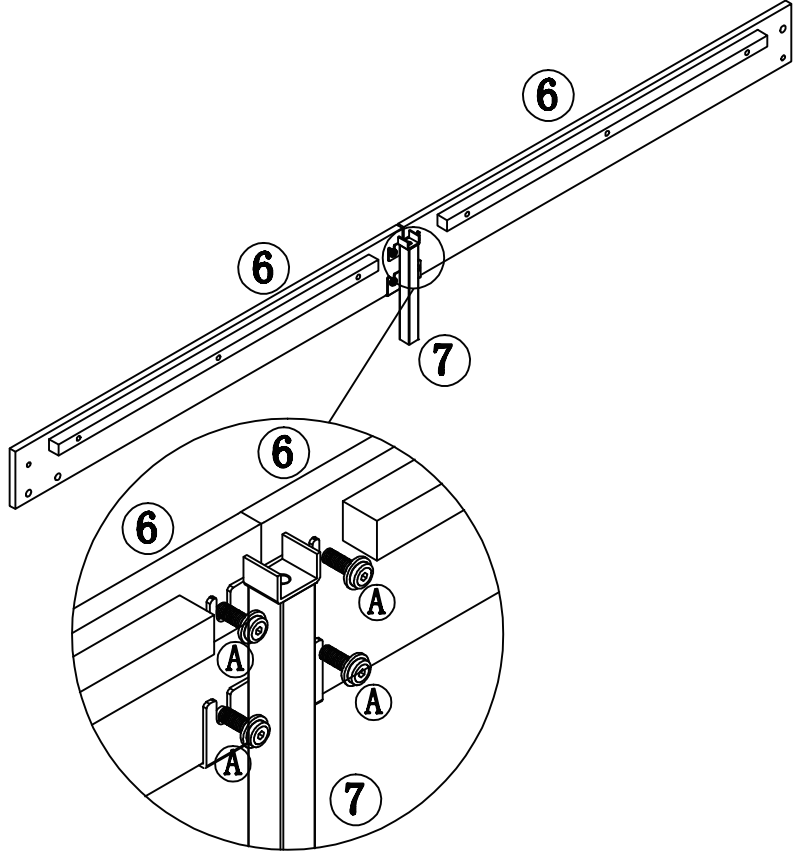
A	 M8x15	2pcs
D	 5#	1pc





Attach Part (3) to Part (2) with Bolt (A) using Hex Key (D).

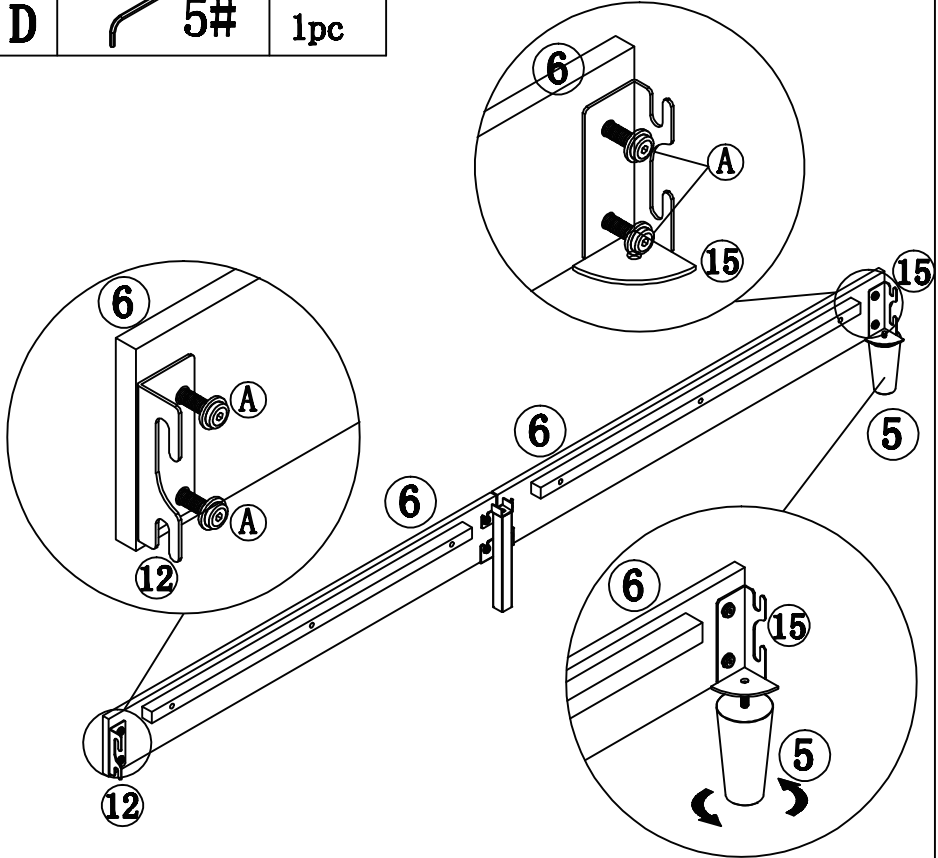
Assembly Instruction

A	 M8x15	4pcs
D	 5#	1pc





Attach Part (7) to Part (6) with Bolt (A) using Hex Key (D).

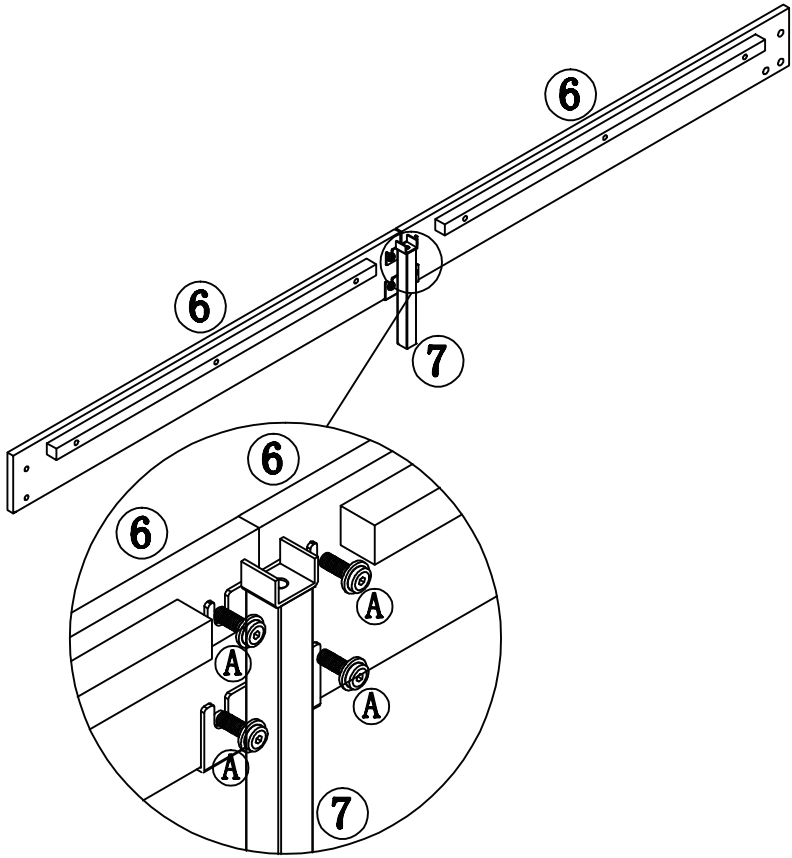
A	 M8x15	4pcs
D	 5#	1pc





Attach Part (12,15) to Part (6) with Bolt (A) using Hex Key (D).
Attach Part (5) to Part (15) .

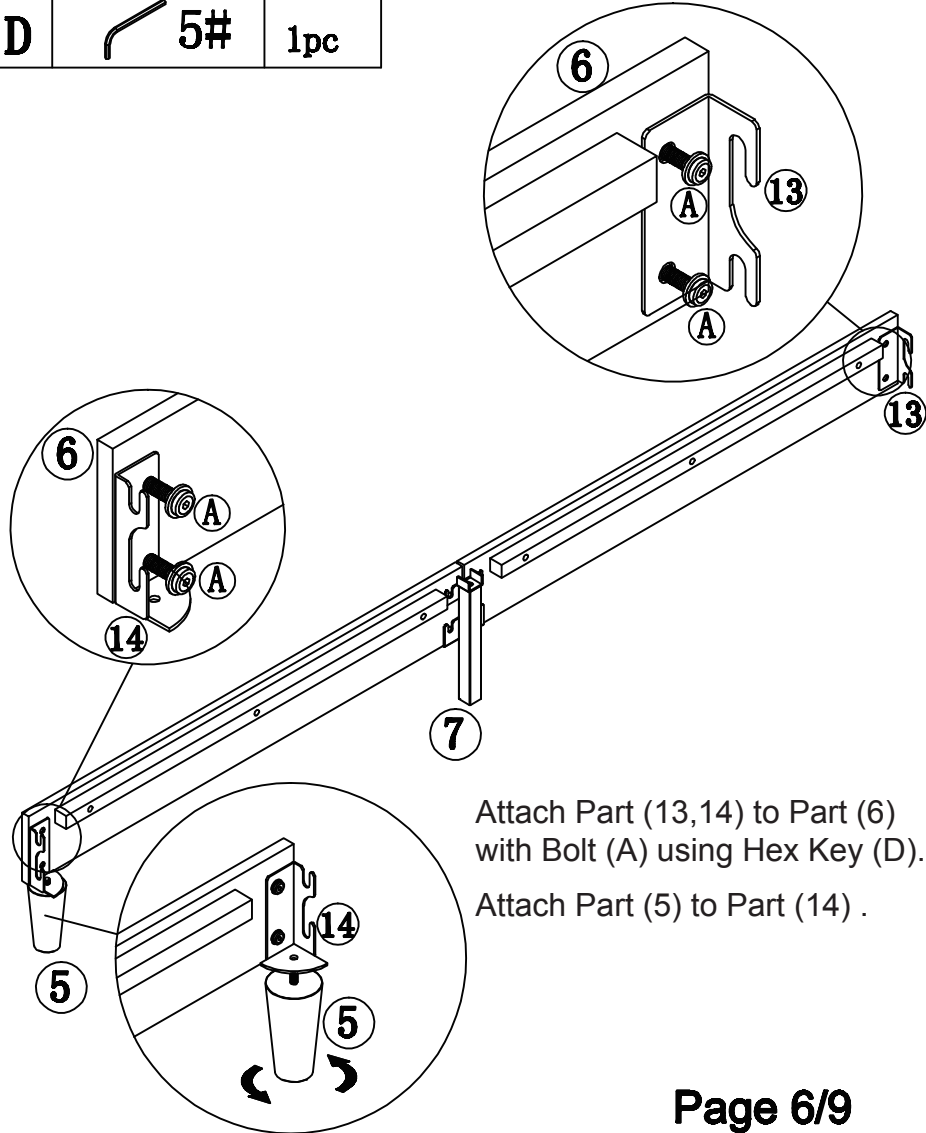
Assembly Instruction

A	 M8x15	4pcs
D	 5#	1pc





Attach Part (7) to Part (6) with Bolt (A) using Hex Key (D).

A	 M8x15	4pcs
D	 5#	1pc

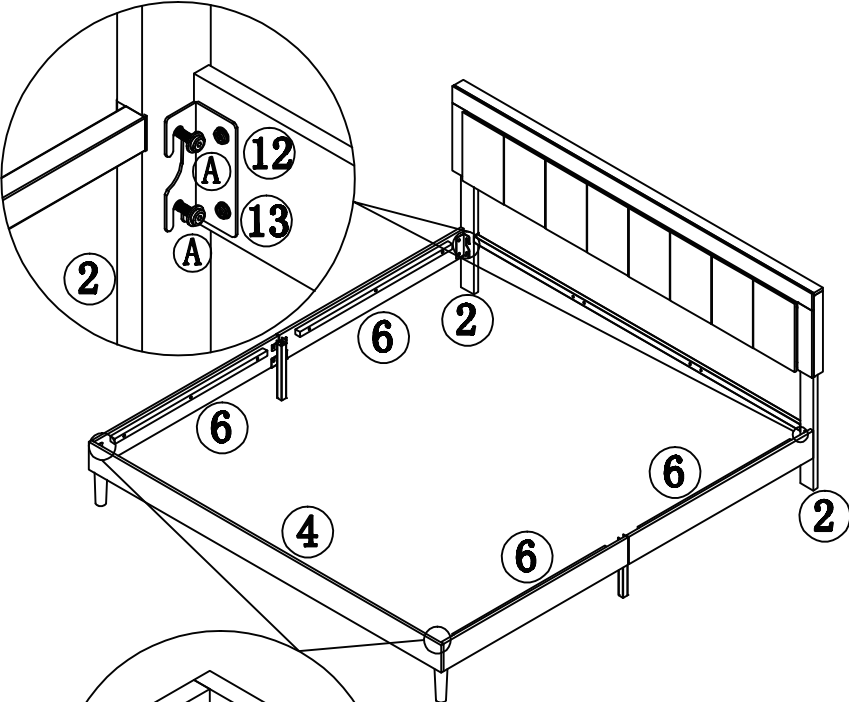


Attach Part (13,14) to Part (6) with Bolt (A) using Hex Key (D).
Attach Part (5) to Part (14) .



Assembly Instruction

A	 M8x15	8pcs
D	 5#	1pc

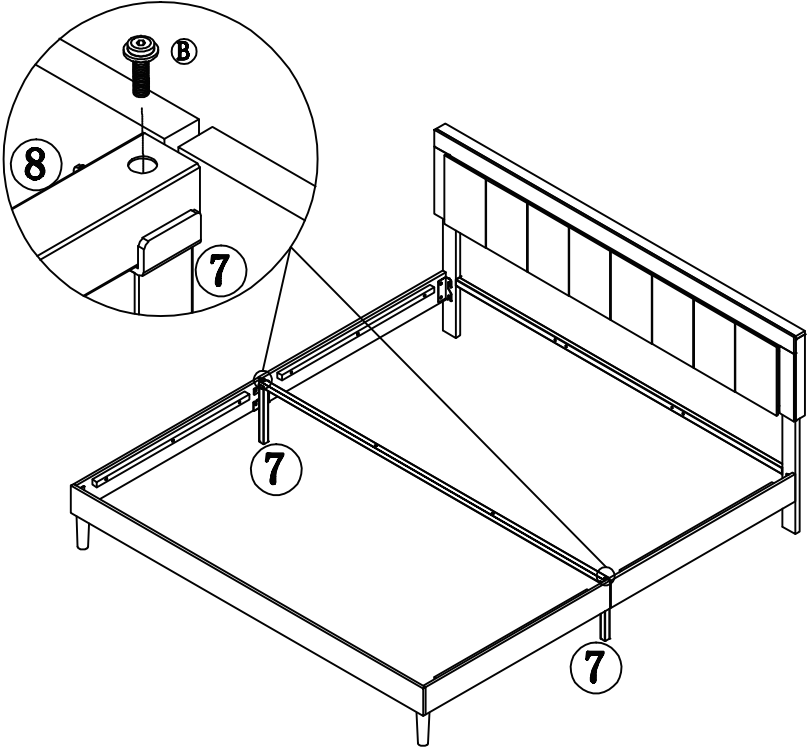
Attach Part (12,13) to Part (2) with Bolt (A) using Hex Key (D).





Attach Part (14,15) to Part (4) with Bolt (A) using Hex Key (D).

B	 M8x35	2pcs
D	 5#	1pc

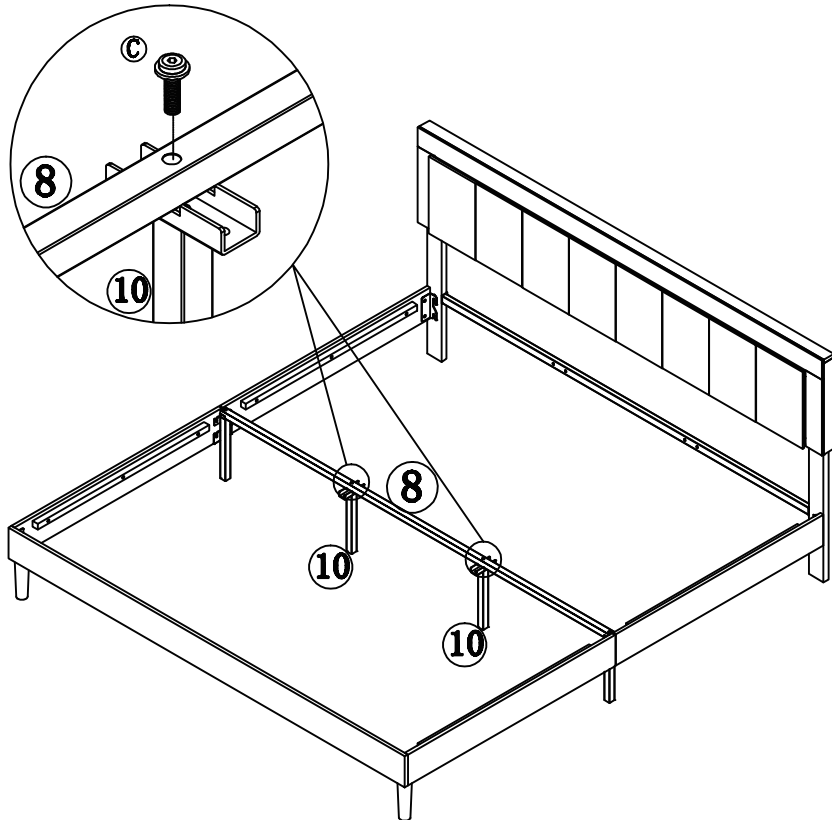
Attach Part (8) to Part (7) with Bolt (B) using Hex Key (D).






Assembly Instruction

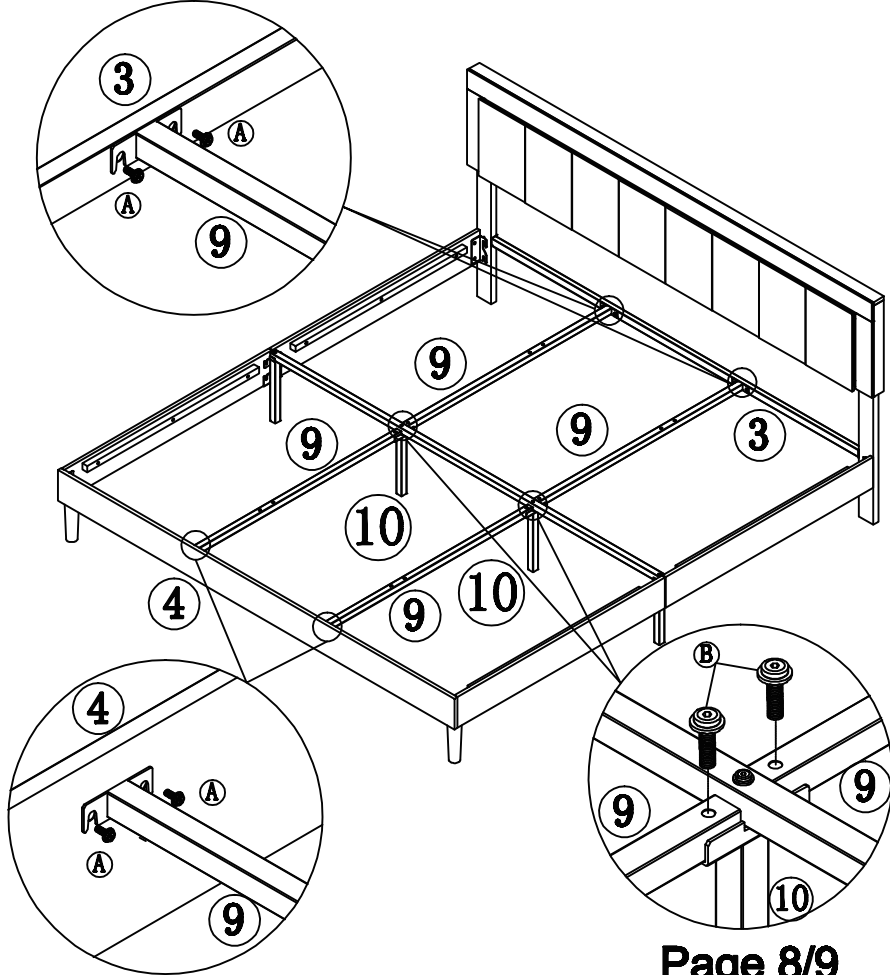
C	 M8x45	2pcs
D	 5#	1pc

Attach Part (10) to Part (8) with Bolt (C) using Hex Key (D).





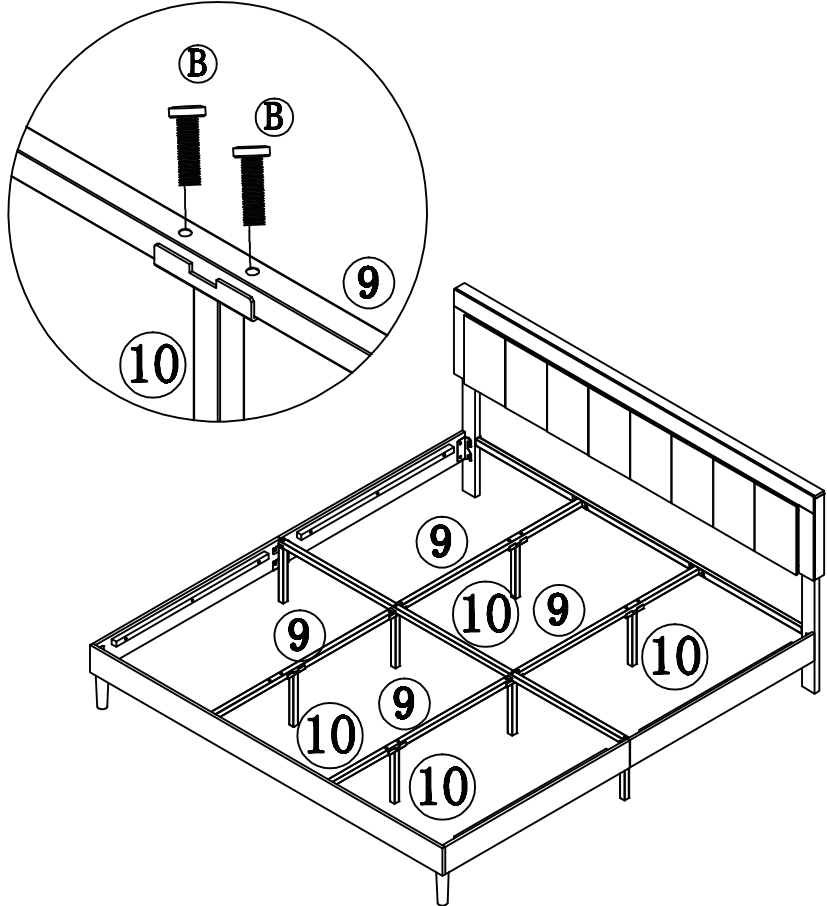
A	 M8x15	8pcs
B	 M8x35	4pcs
D	 5#	1pc

Attach Part (9) to Part (3,4) with Bolt (A) using Hex Key (D).
Attach Part (9) to Part (10) with Bolt (B) using Hex Key (D).



Assembly Instruction

B	 M8x35	8pcs
D	 5#	1pc



Attach Part (10) to Part (9) with Bolt (B) using Hex Key (D).

Put Part (11) to the bed frame as per diagram.

