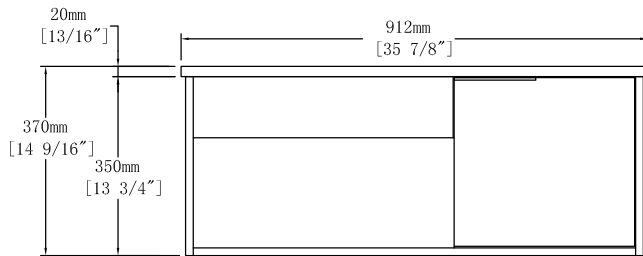
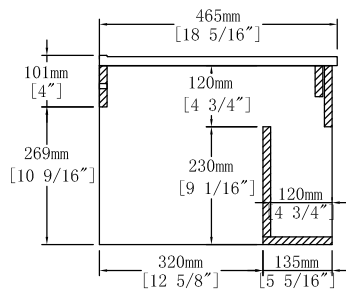


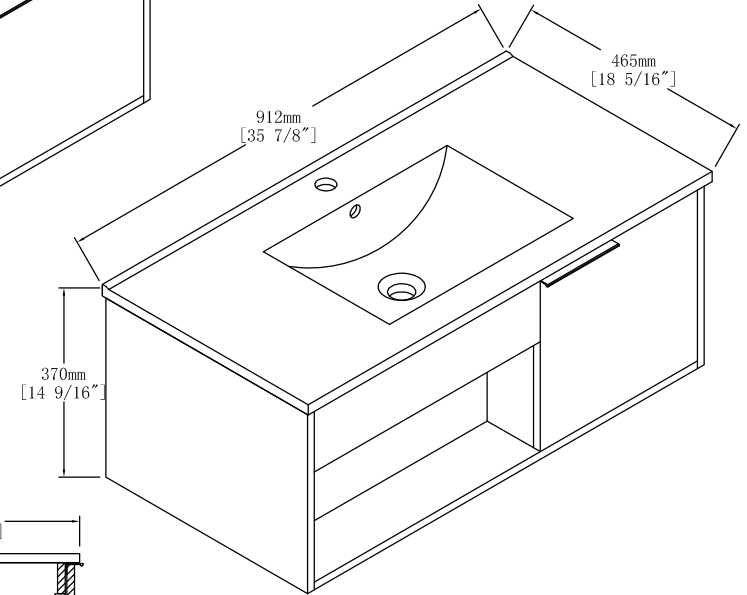
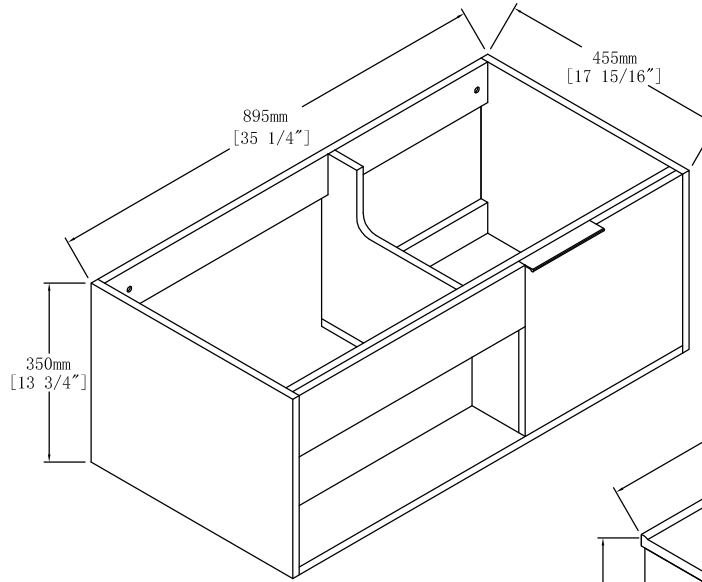
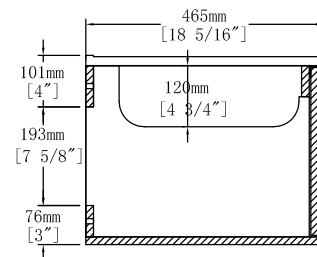
Top View



Front View



Side View



Item NO. UNOR VB 003 36

Version V1

Project

Date 2025-11-11