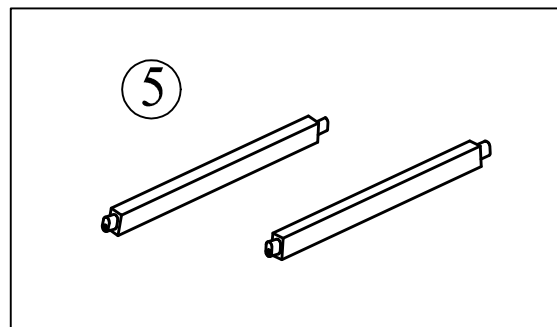
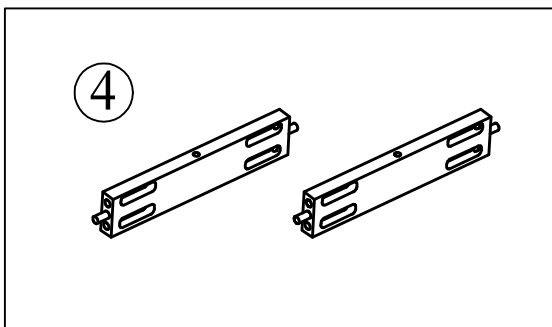
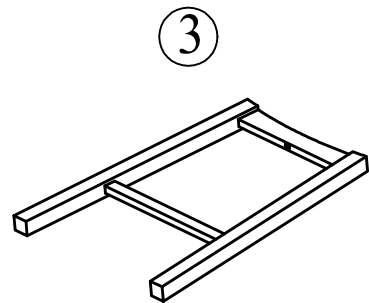
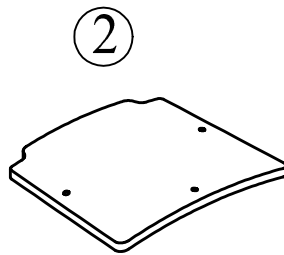
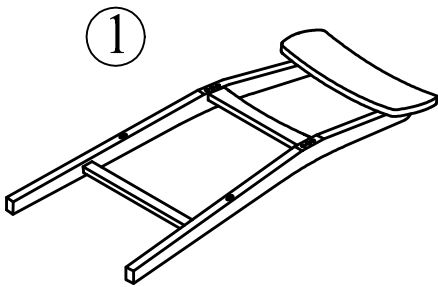
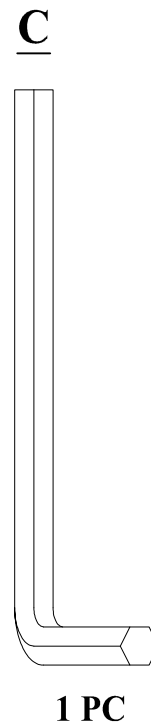
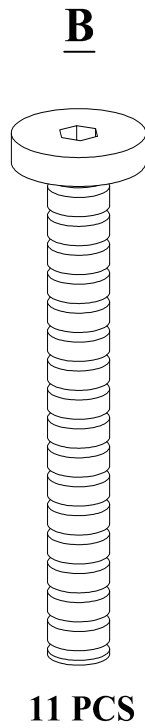
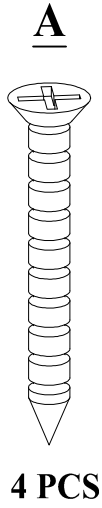
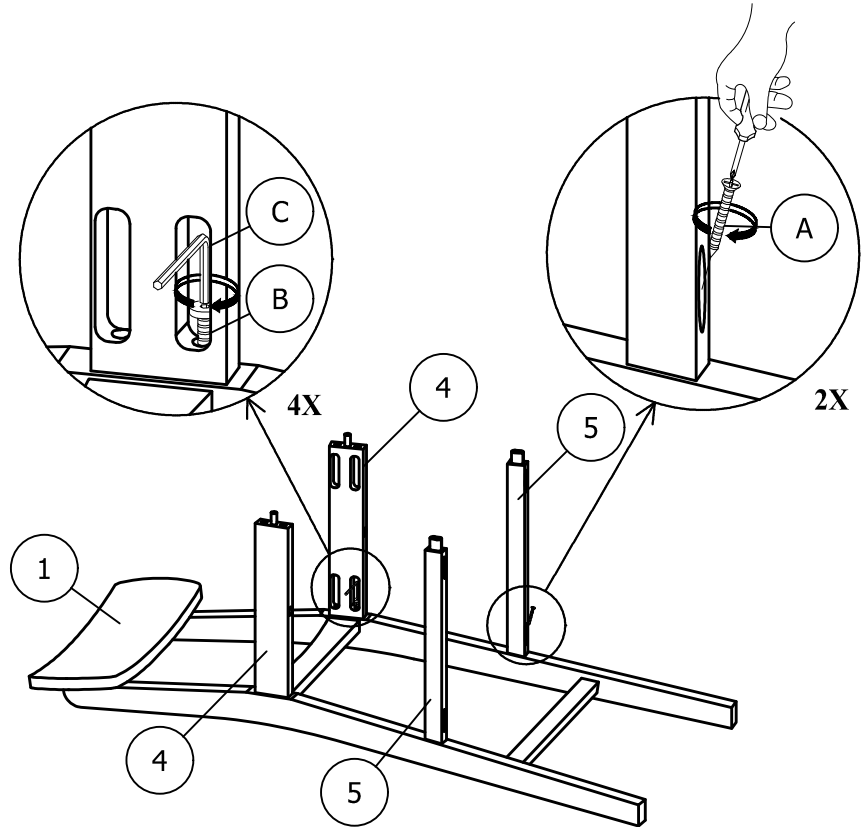
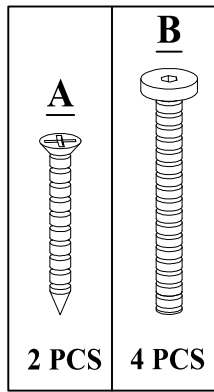


Phillips
Screwdriver
(Not provided)

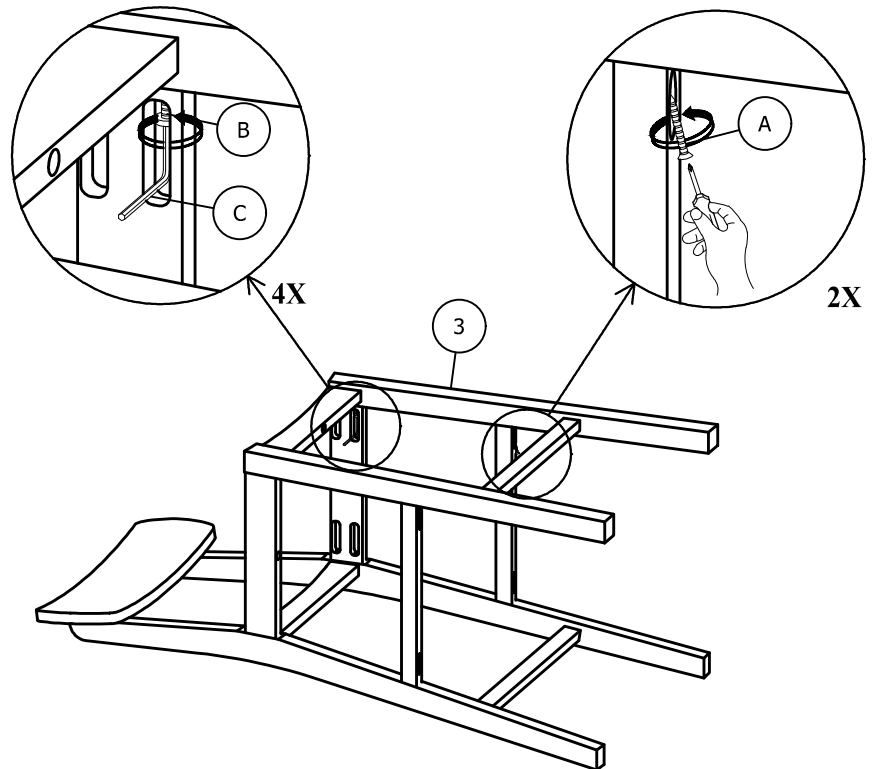
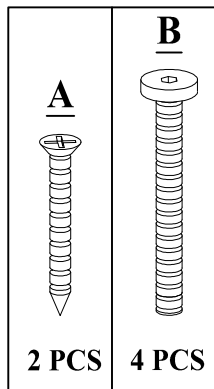


01



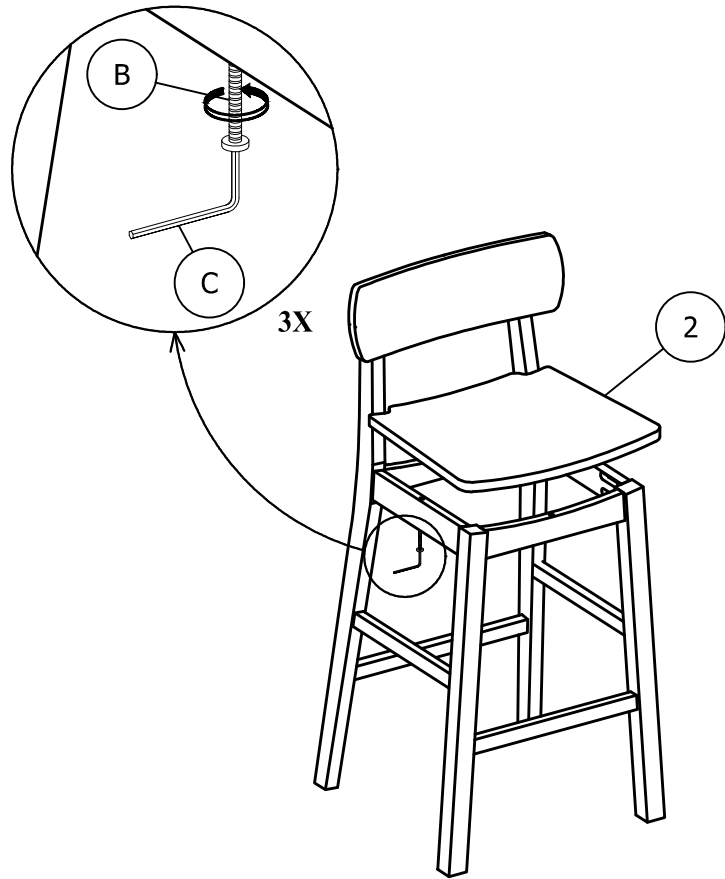
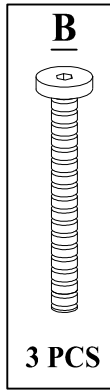
DO NOT TIGHTEN BOLT AND SCREW COMPLETELY.

02

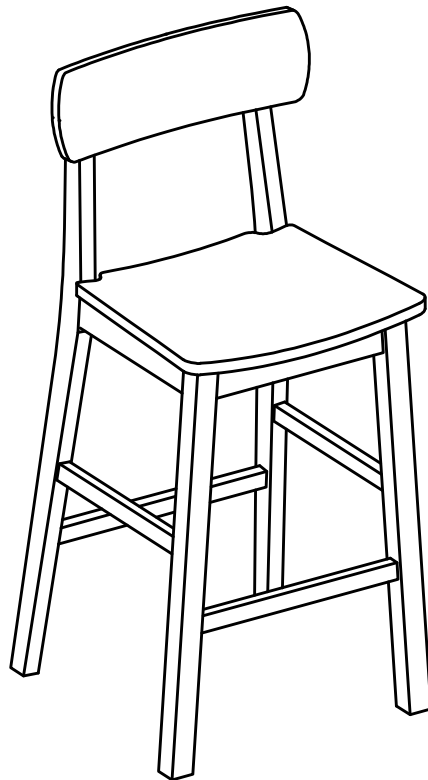


DO NOT TIGHTEN BOLT AND SCREW COMPLETELY.

03



TIGHTEN BOLT AND SCREW COMPLETELY.



BE SURE TO CHECK ALL BOLTS ARE SECURELY TIGHTENED PRIOR USING THIS STOOL.