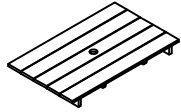
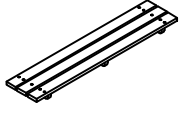
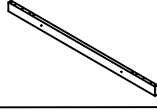
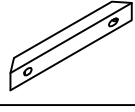
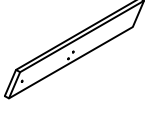




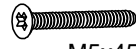
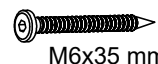
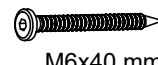
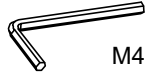
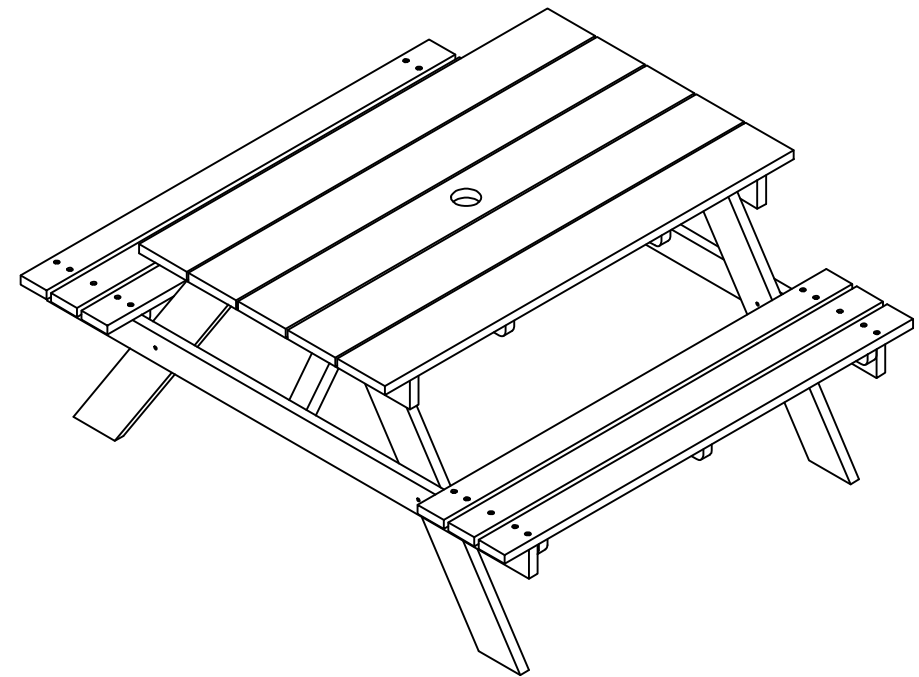


Part List and Hardware List

| PIECE | DESCRIPTION | PICTURE | QUANTITY |
|-------|-------------|--|----------|
| 1 | Table |  | 1x |
| 2 | Seat |  | 2x |
| 3 | Stirrup |  | 2x |
| 4 | Strut |  | 2x |
| 5 | Legs |  | 4x |
| 6 | Lid |  | 1x |
| Ⓐ | Nut |  M10 | 8x |
| Ⓑ | Bolt |  M10x60 mm | 8x |
| Ⓒ | Washers |  M10x25x2 mm | 8x |
| Ⓓ | Screw 1 |  M5x45 mm | 20x |
| Ⓔ | Screw 2 |  M6x35 mm | 4x |
| Ⓕ | Screw 3 |  M6x40 mm | 4x |
| Ⓖ | Allen Key |  M4 | 1x |

Installation & Assembly

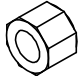


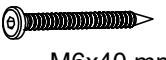

Product Dimension: 47"D x 55"W x 30"H

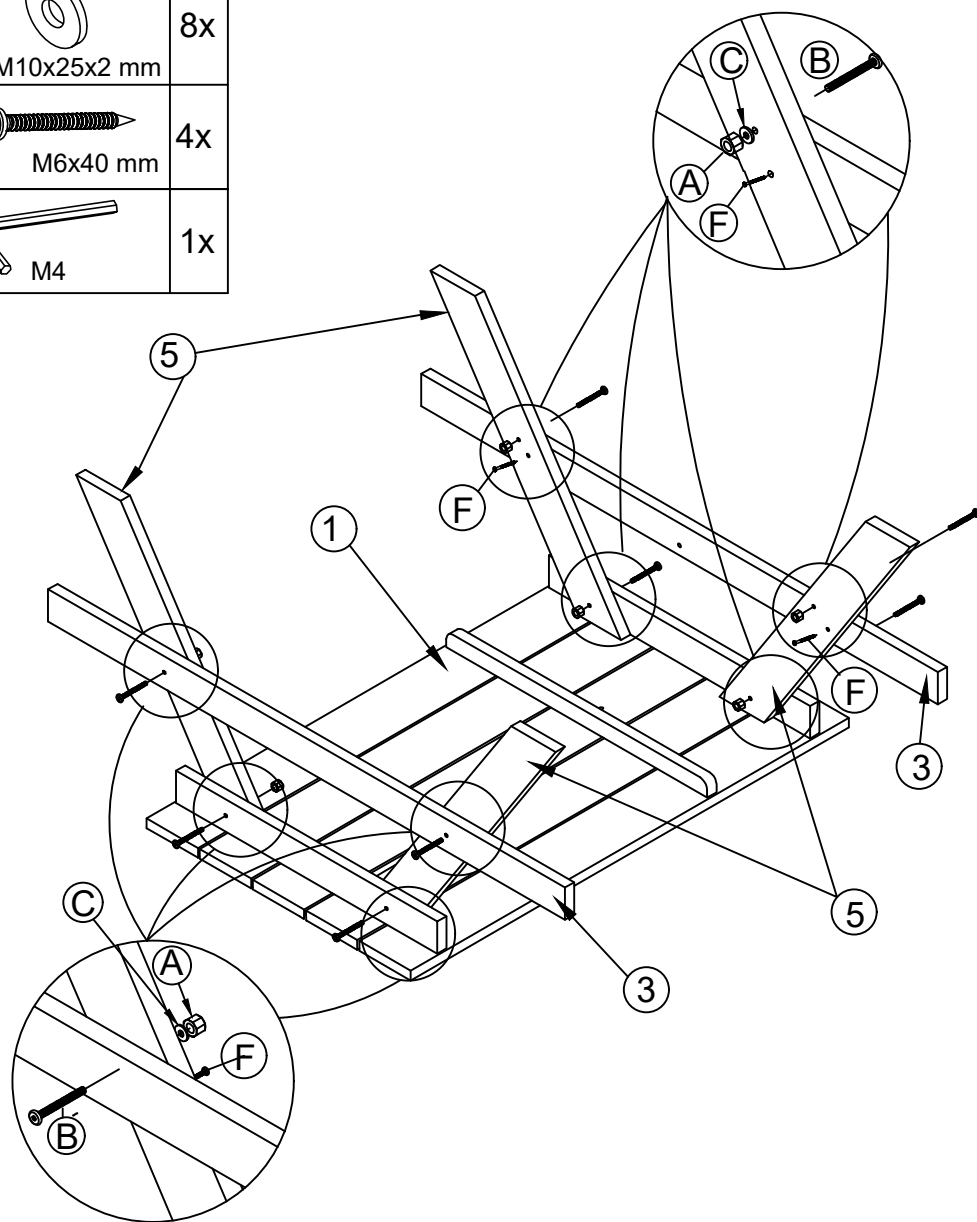


Number of persons required for assembly : 2 people


Amount of time required for assembly : 30 minutes

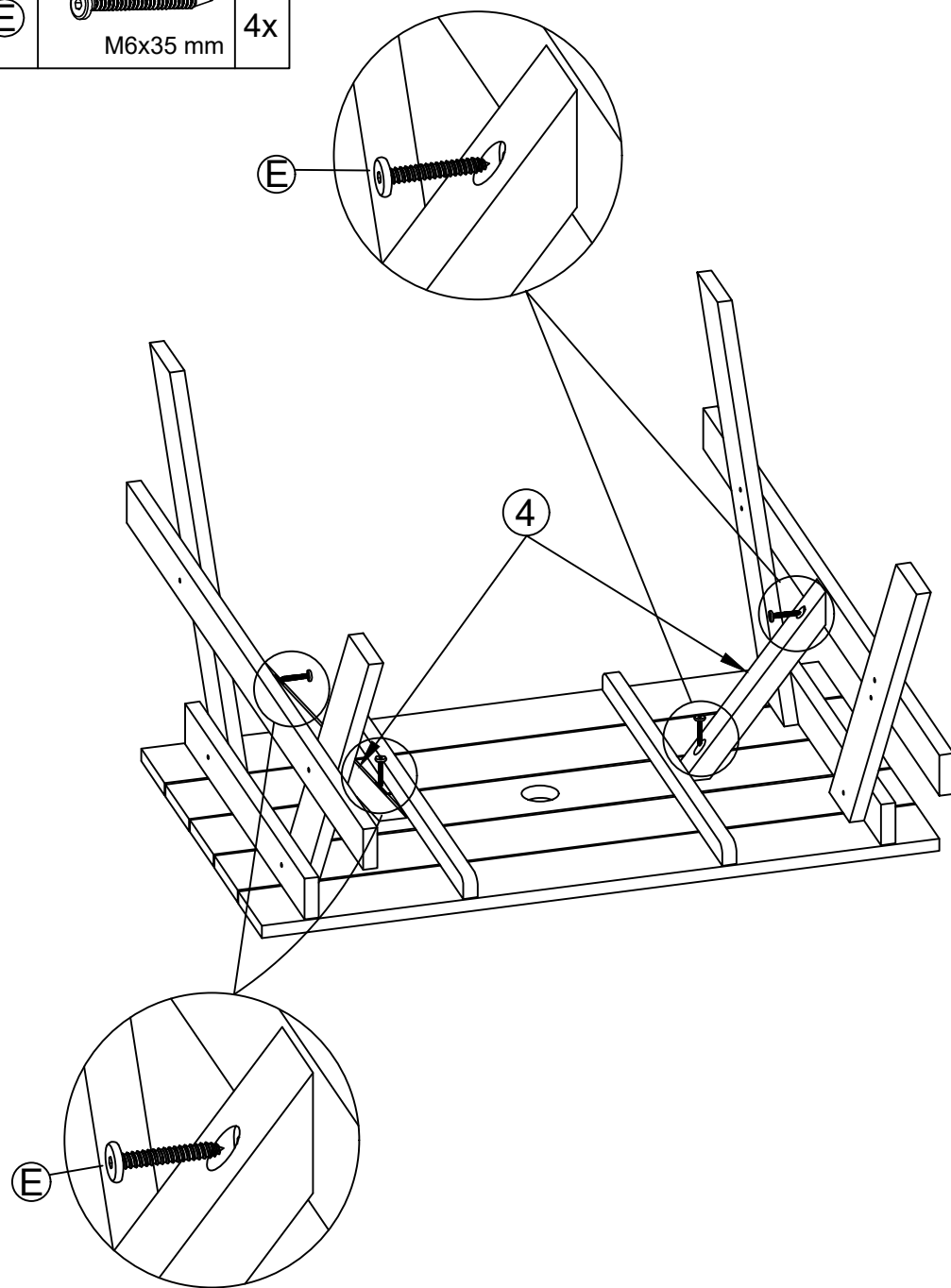
1

| | | |
|-----|--|----|
| (A) |  M10 | 8x |
| (B) |  M10x60 mm | 8x |
| (C) |  M10x25x2 mm | 8x |
| (F) |  M6x40 mm | 4x |
| (G) |  M4 | 1x |




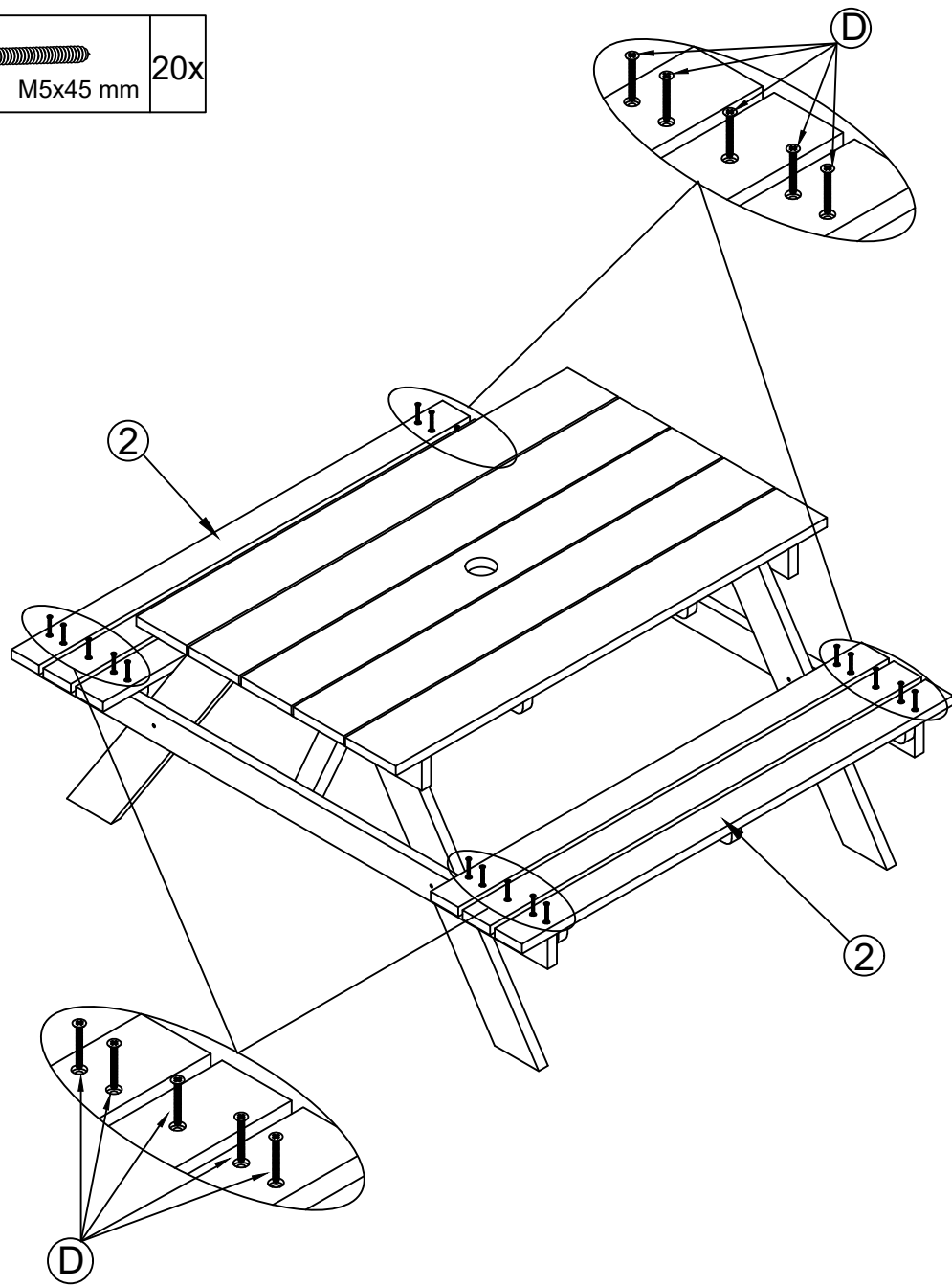
2

| | | |
|-----|--|----|
| (E) |  M6x35 mm | 4x |
|-----|--|----|



3

| | | |
|---|--|-----|
| D |  M5x45 mm | 20x |
|---|--|-----|



4

