

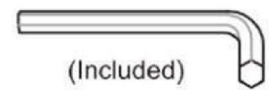
ASSEMBLY INSTRUCTION

Weight Limit:
Bed: 1000LBS

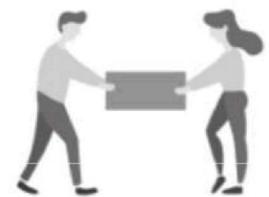
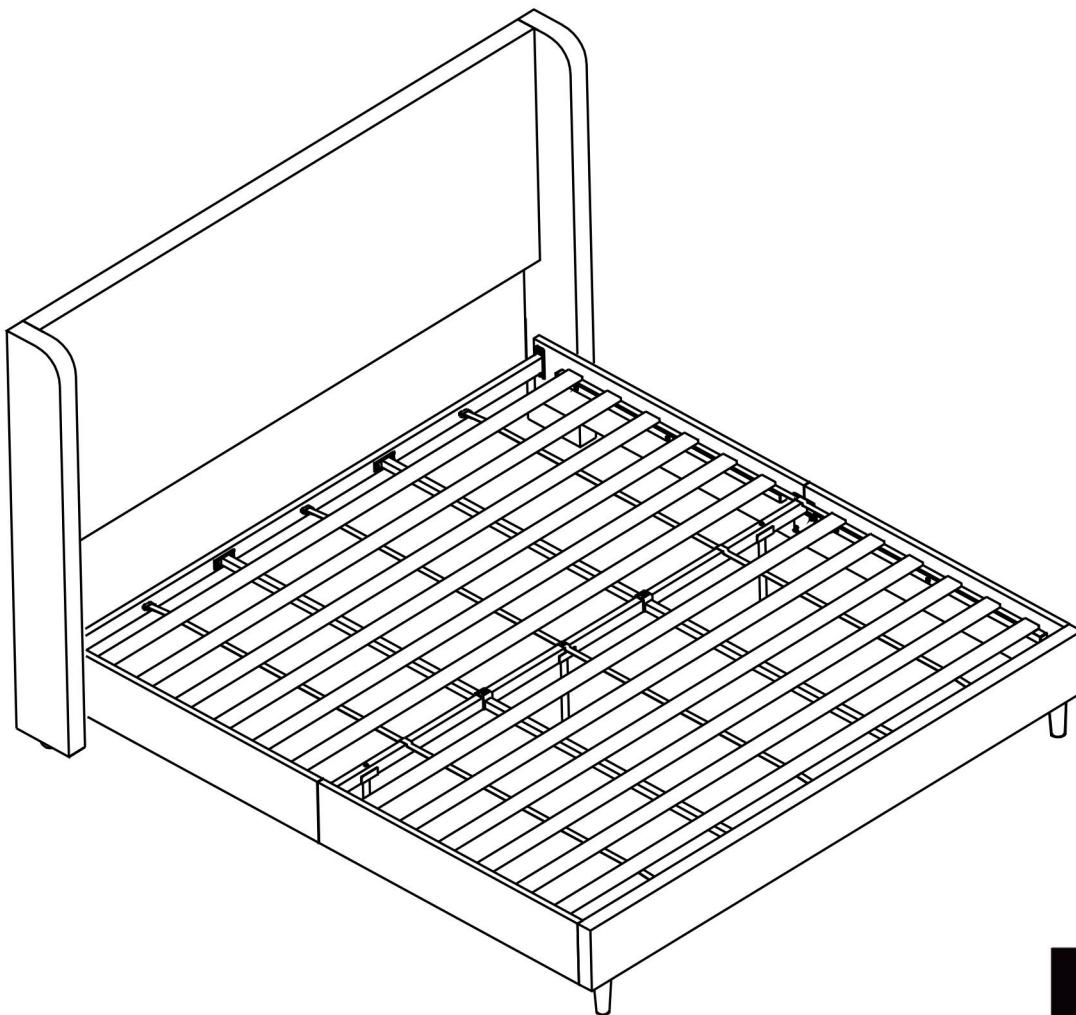
TOOLS REQUIRED



Screwdriver
(Not included)



(Included)
Allen Wrench



2 - People

ASSEMBLY RATING



EASY —————> DIFFICULT

The Assembly Rating is a 5-point system showing the level of effort needed to assemble a specific product.



CHECK BEFORE STARTING

Are you missing anything?

Double-check all parts, hardware and accessories listed are all accounted for.

Check out our Quick Tips!

We recommend reviewing the pre-assembly handouts. Even experts need a refresher now and then!

Should we send any replacements?

Are there any irregularities or flaws in the parts? We can send replacements!

Prep Time!

Please review the assembly instructions and all diagrams prior to assembling.

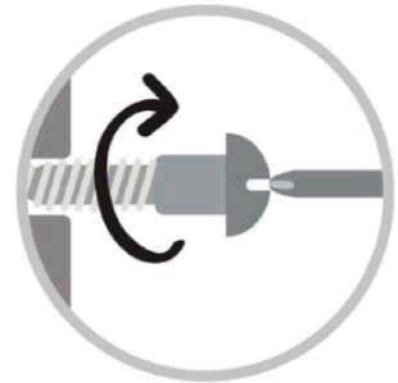
ASSEMBLY AND CARE ADVICE



FAILURE TO FOLLOW THE GUIDELINES BELOW MAY RESULT IN INJURY AND/OR PROPERTY DAMAGE.



Position each part correctly and insert screws or bolts into their respective holes.



Turn clockwise to tighten and only tighten when step is completed or when instructed to do so.



Use the appropriate hand tools or power tools for assembly. Select steps, such as tightening screws and/or bolts, may require hand tools to avoid causing damage during assembly.



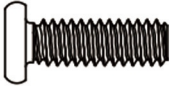
Save the instructions and store any supplied tools for later maintenance.



After two weeks, check and tighten any loose hardware and repeat again every six months thereafter.

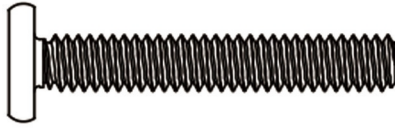
HARDWARE

1



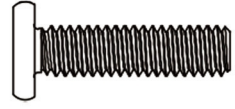
1/4 19mm
39 Screws

2



1/4 39mm
24 Screws

3



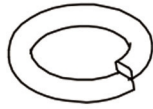
5/16 30mm
2 Screws

4



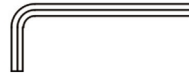
1/4" Washer
12

5



1/4" Spring
Washer
6

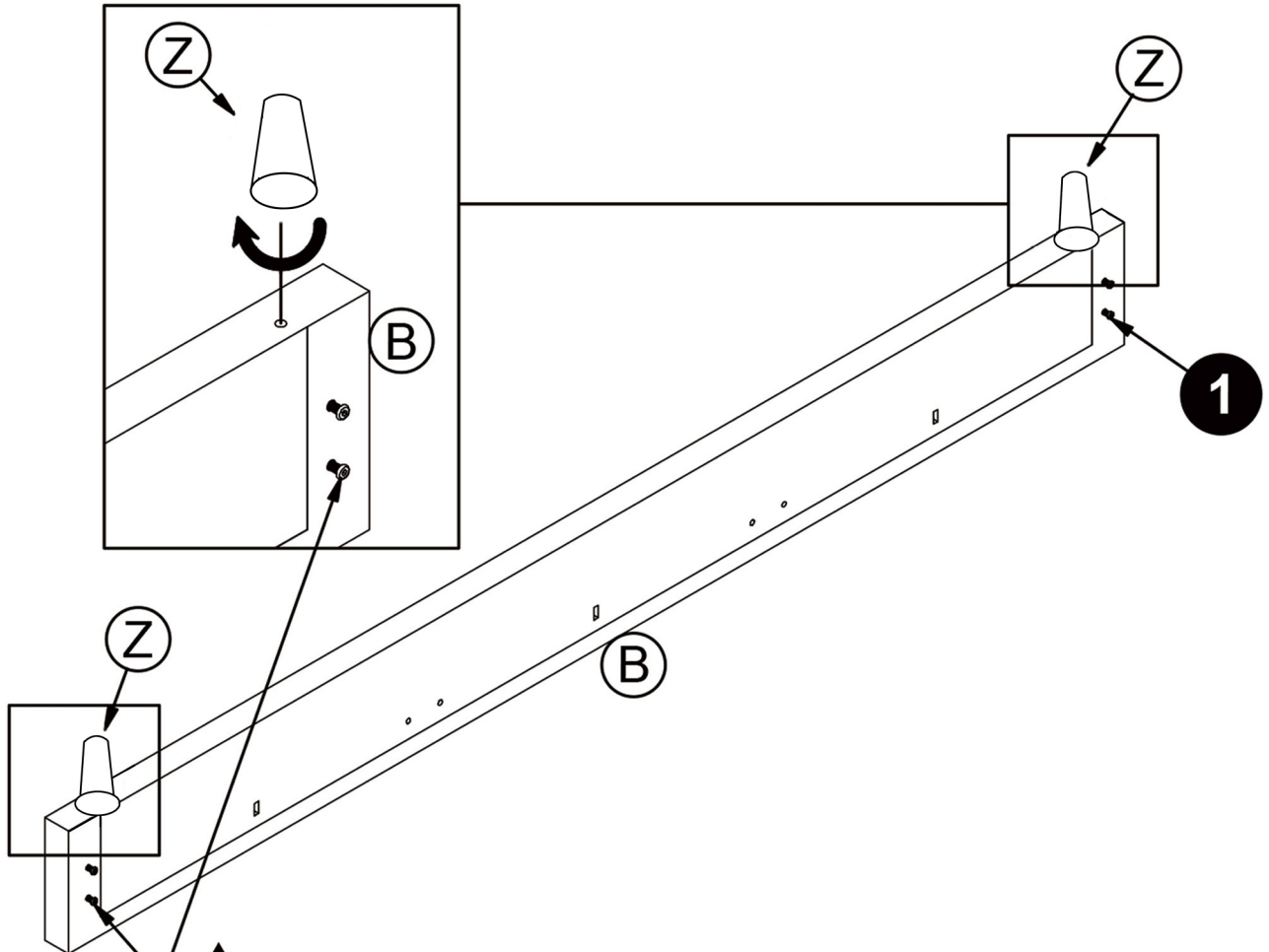
6



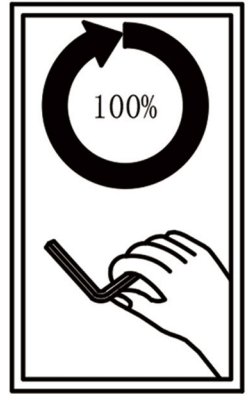
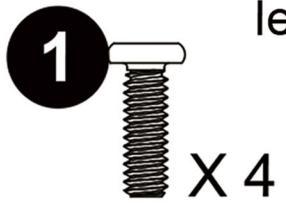
4mm
Allen Key
1

ASSEMBLY INSTRUCTIONS

1

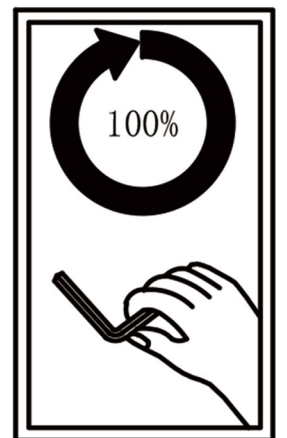
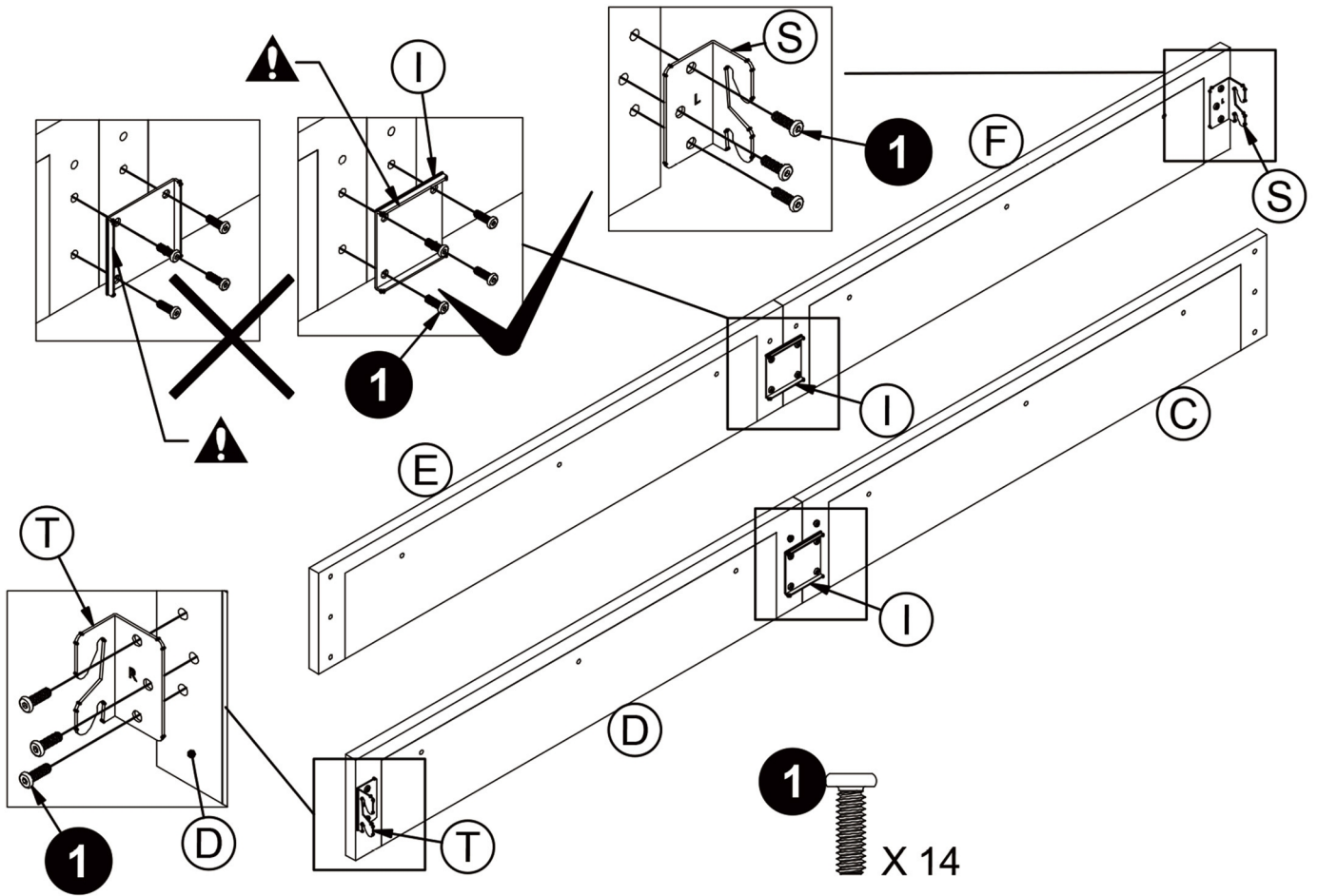


! Do not completely tighten the BOLTS 1, leave half of the thread exposed.



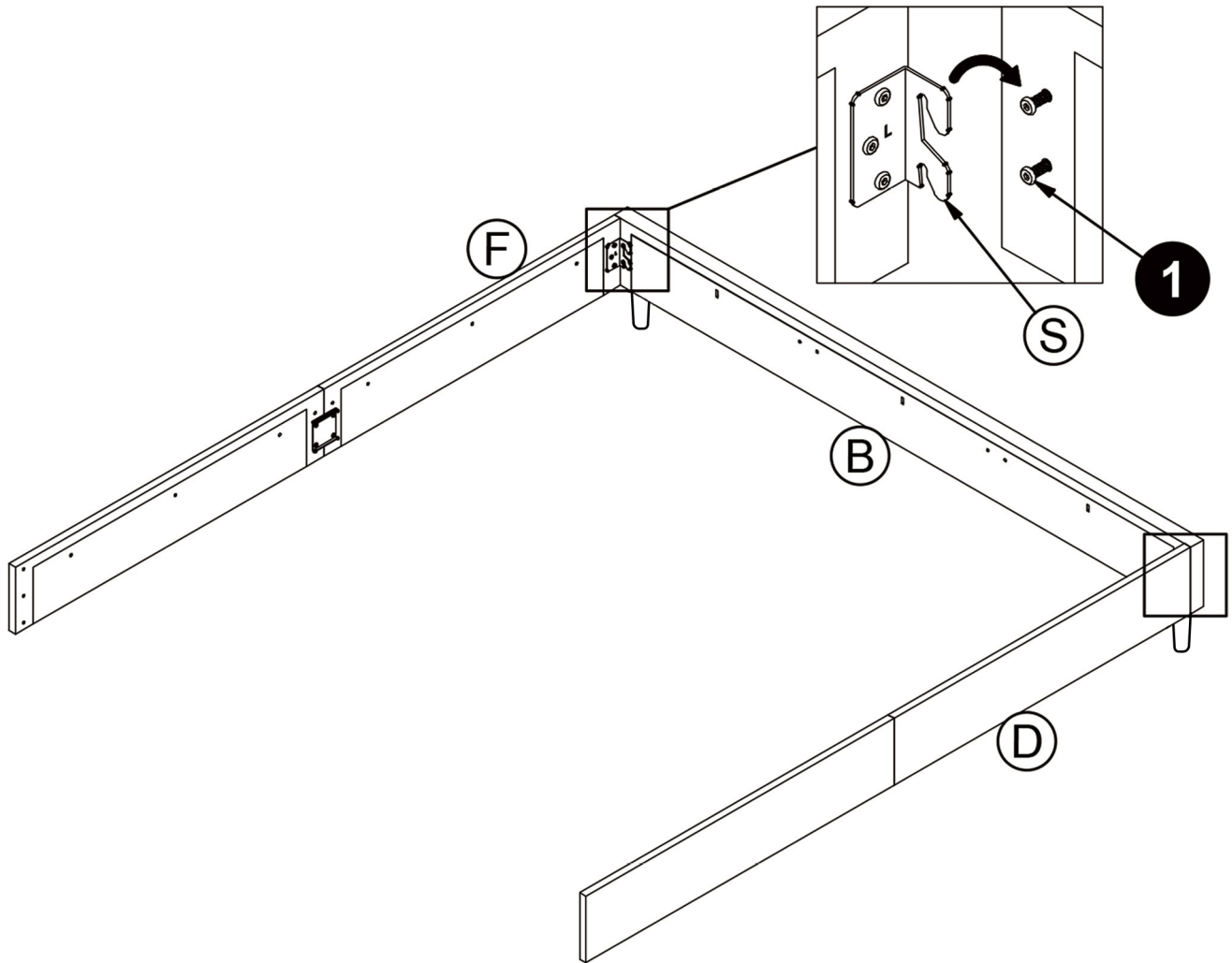
ASSEMBLY INSTRUCTIONS

2



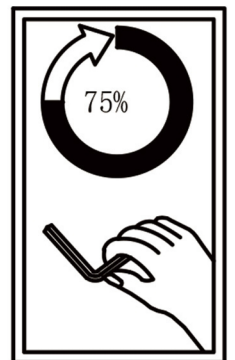
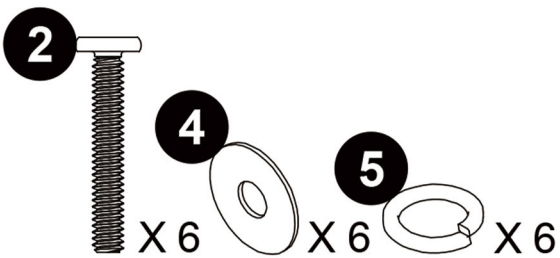
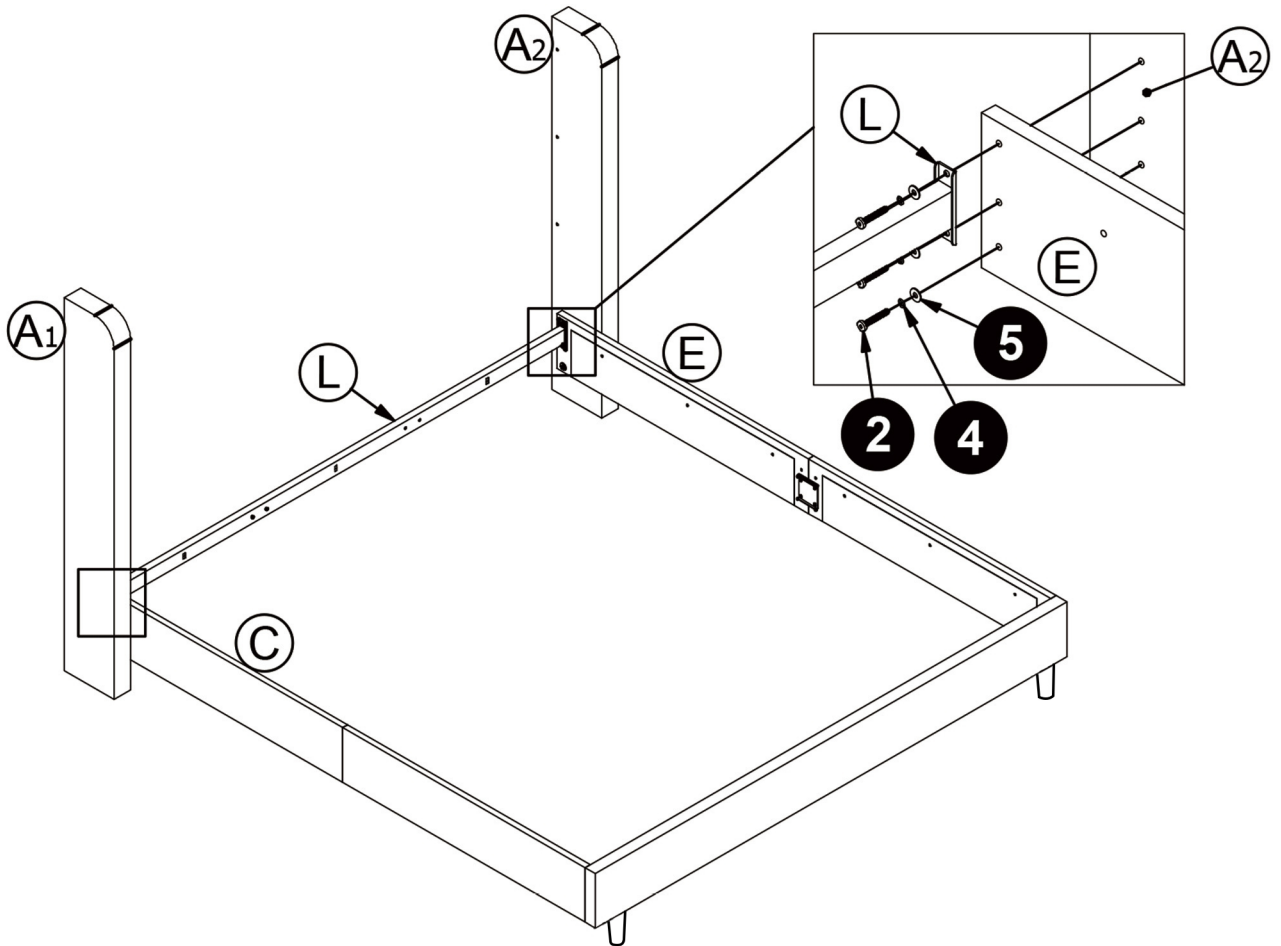
ASSEMBLY INSTRUCTIONS

3



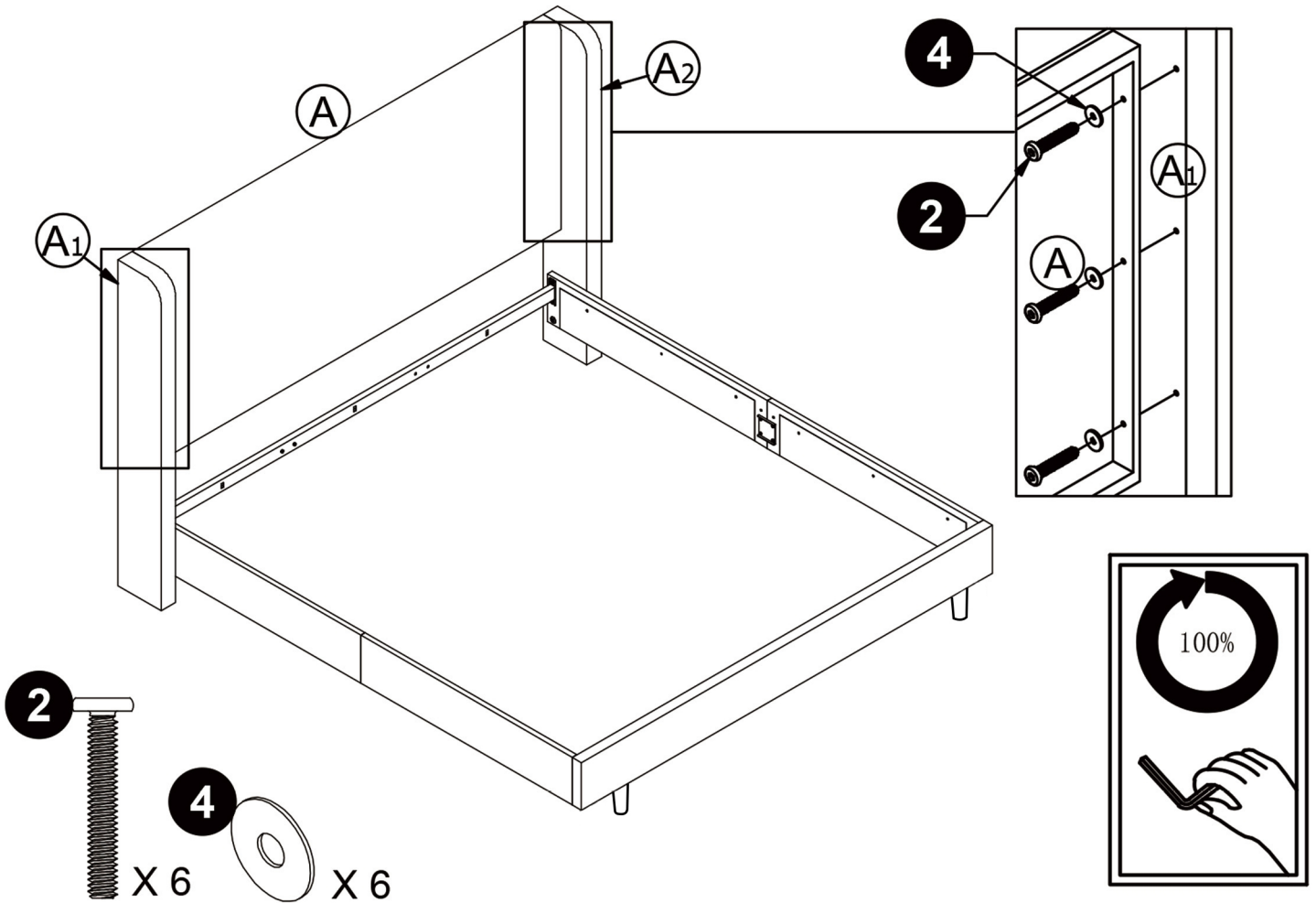
ASSEMBLY INSTRUCTIONS

4



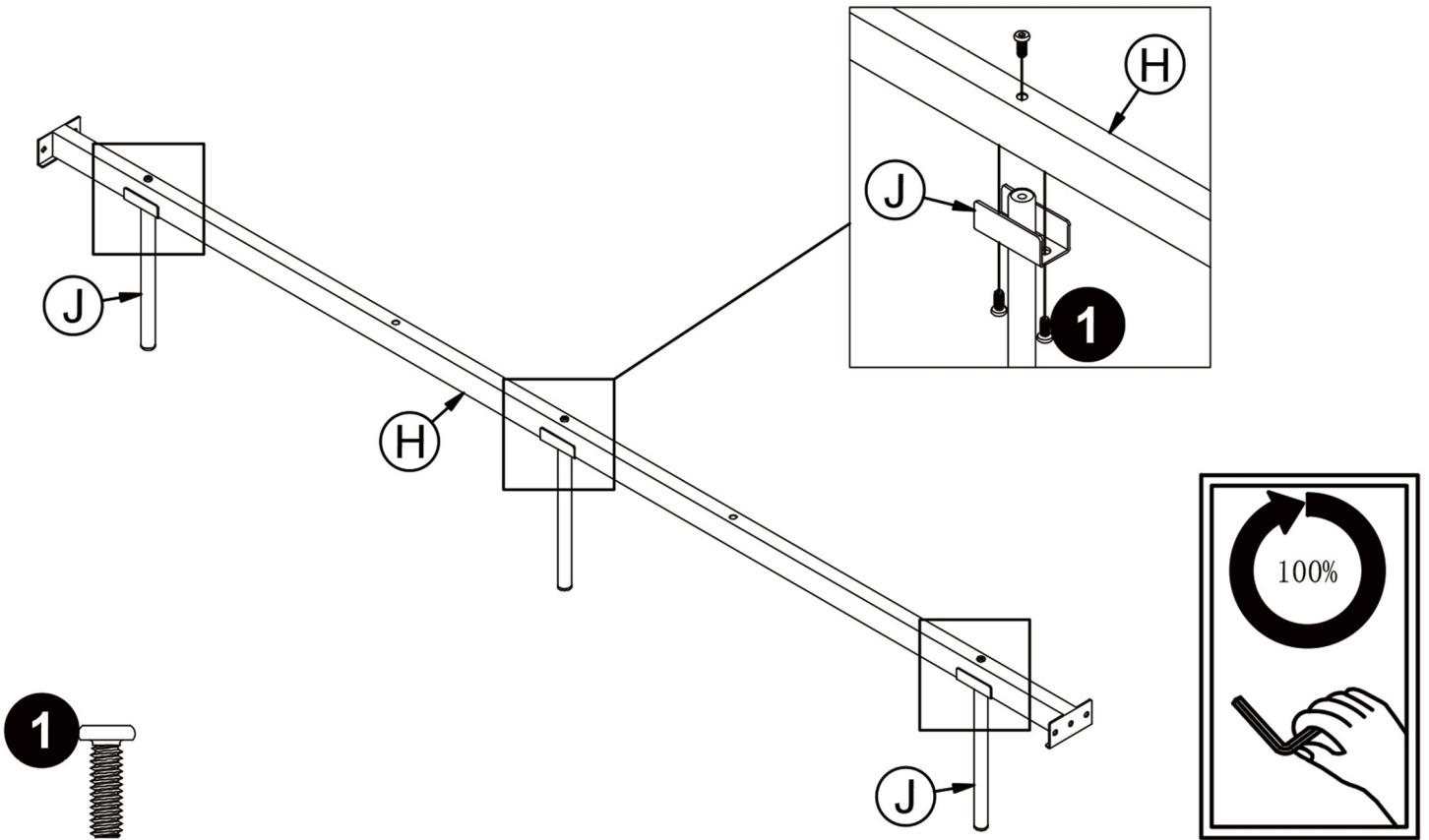
ASSEMBLY INSTRUCTIONS

5



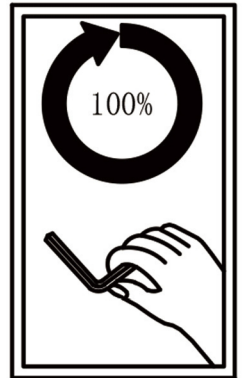
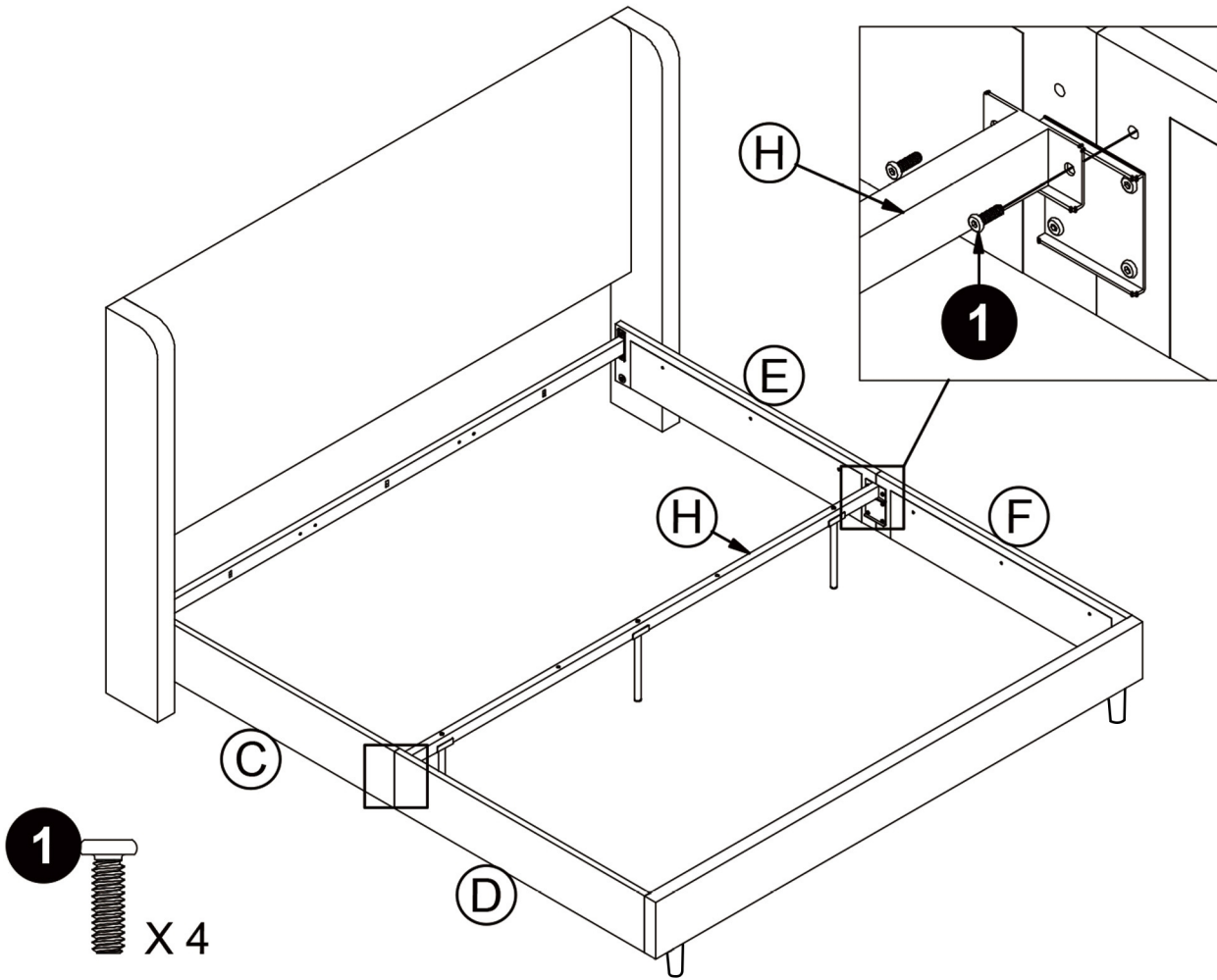
ASSEMBLY INSTRUCTIONS

6



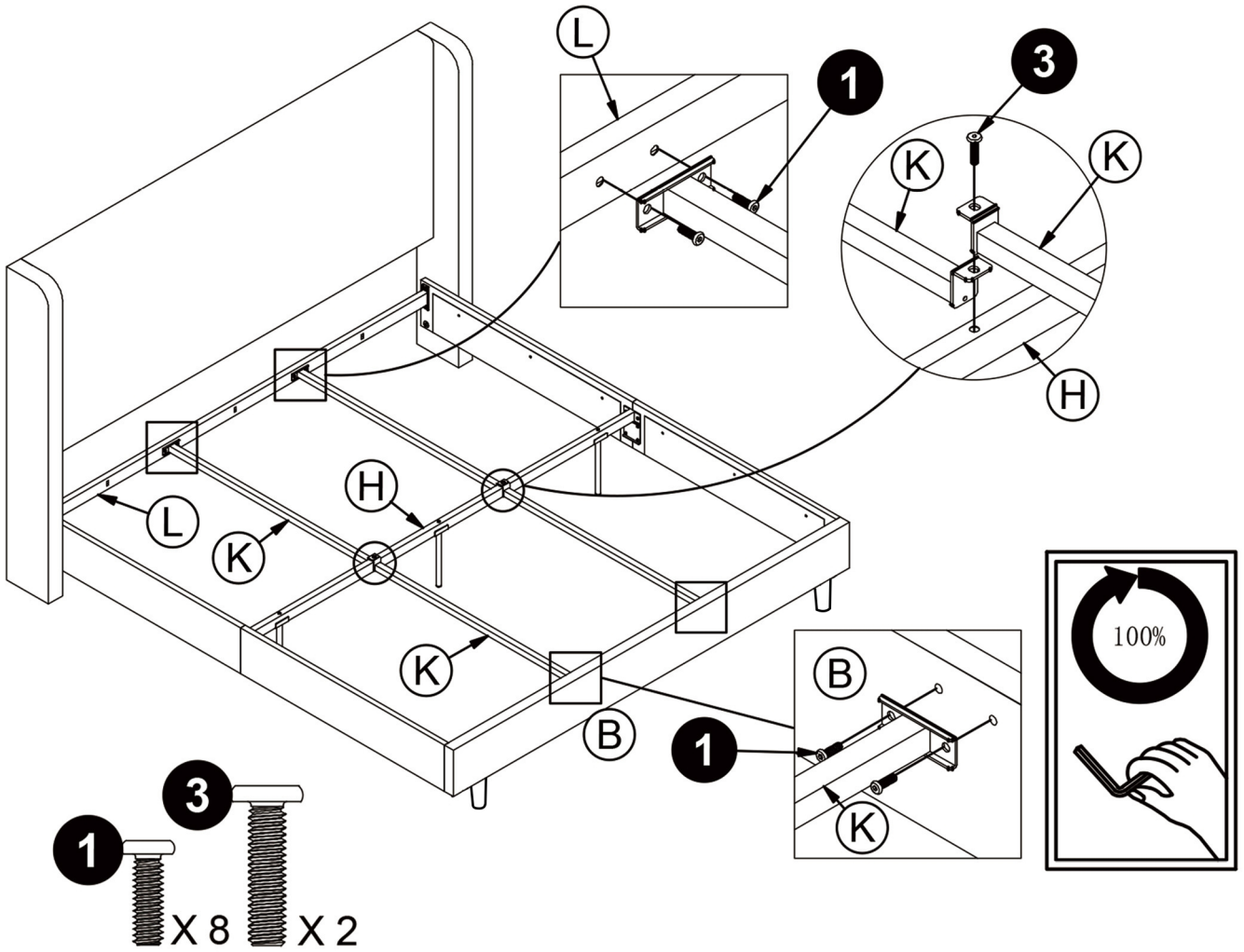
ASSEMBLY INSTRUCTIONS

7



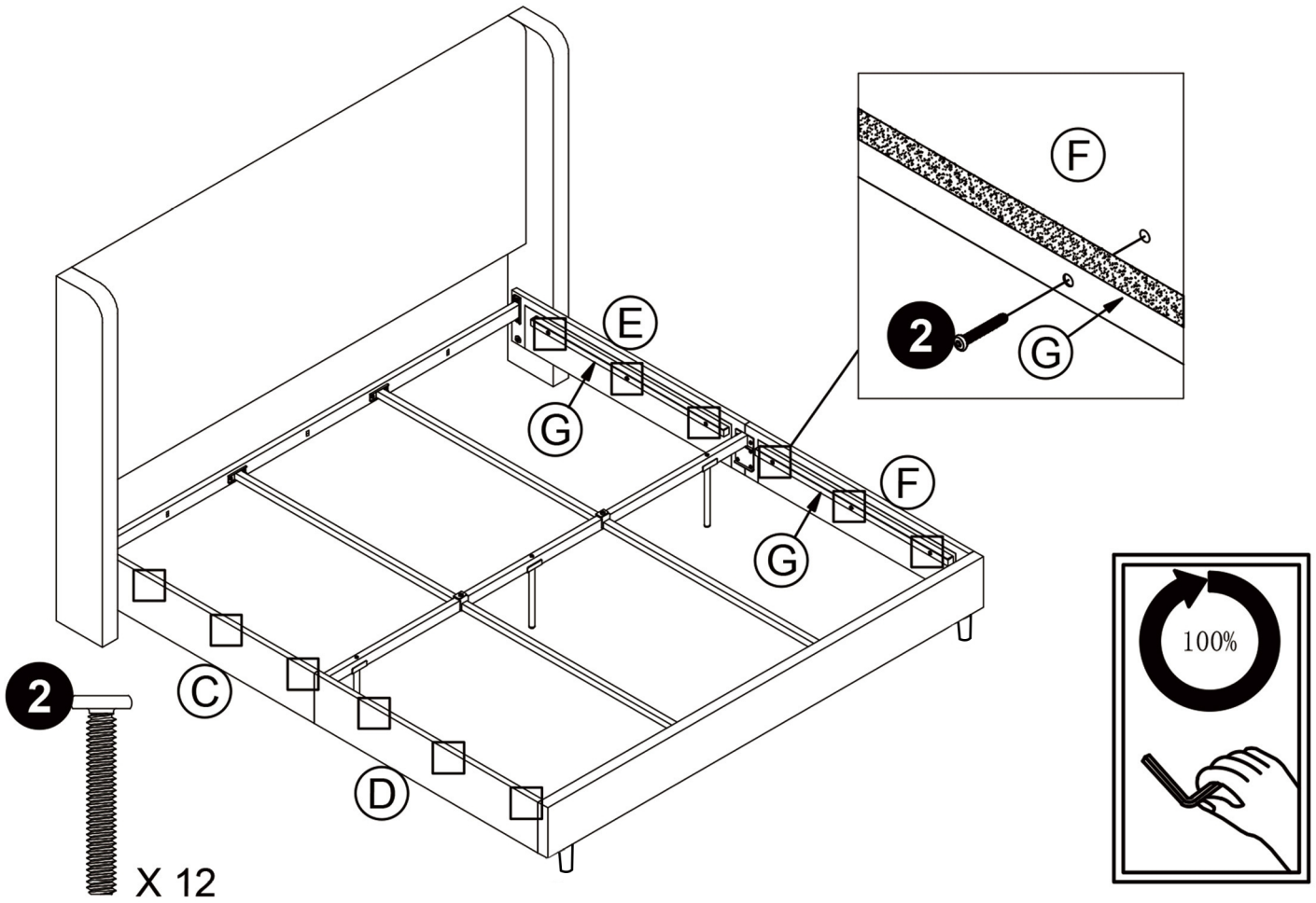
ASSEMBLY INSTRUCTIONS

8



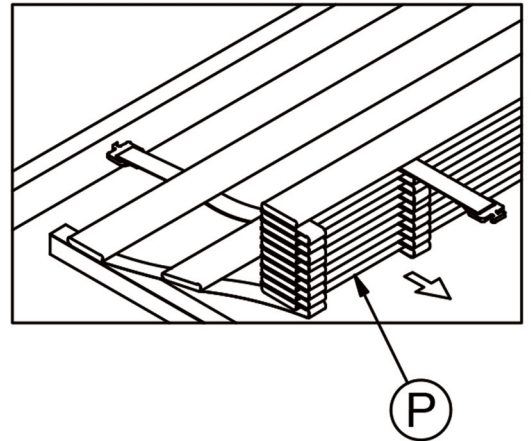
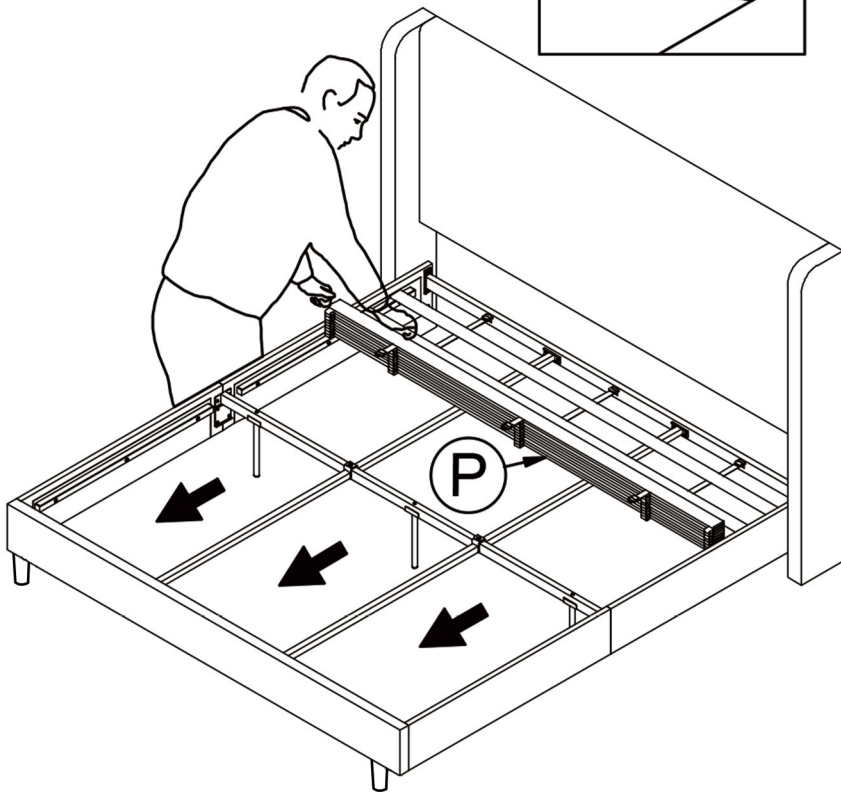
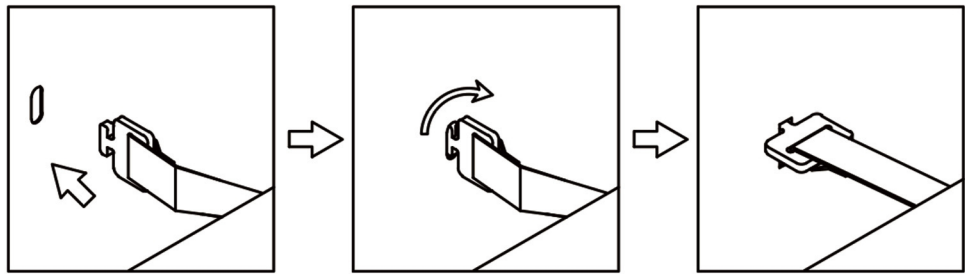
ASSEMBLY INSTRUCTIONS

9



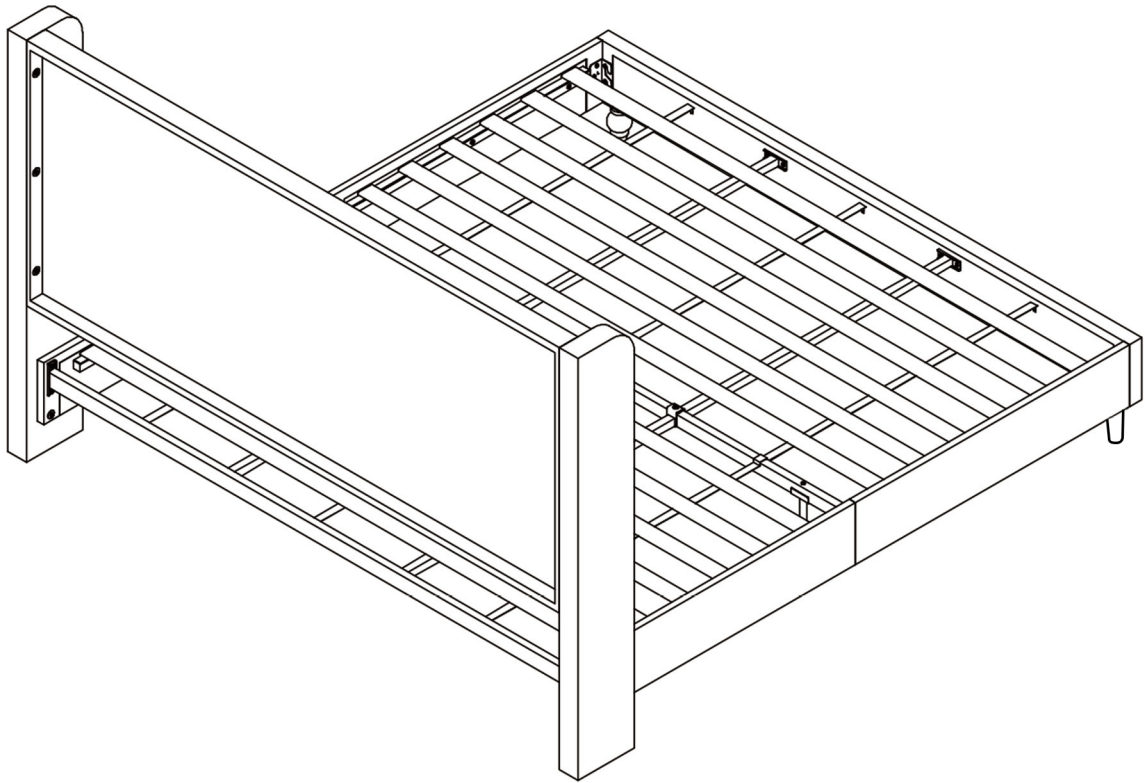
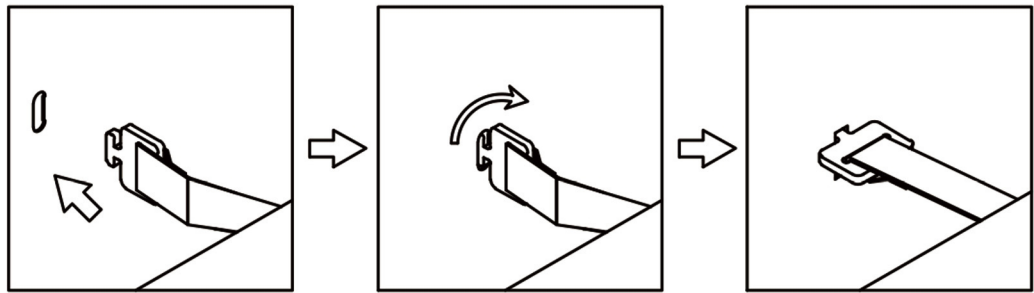
ASSEMBLY INSTRUCTIONS

10



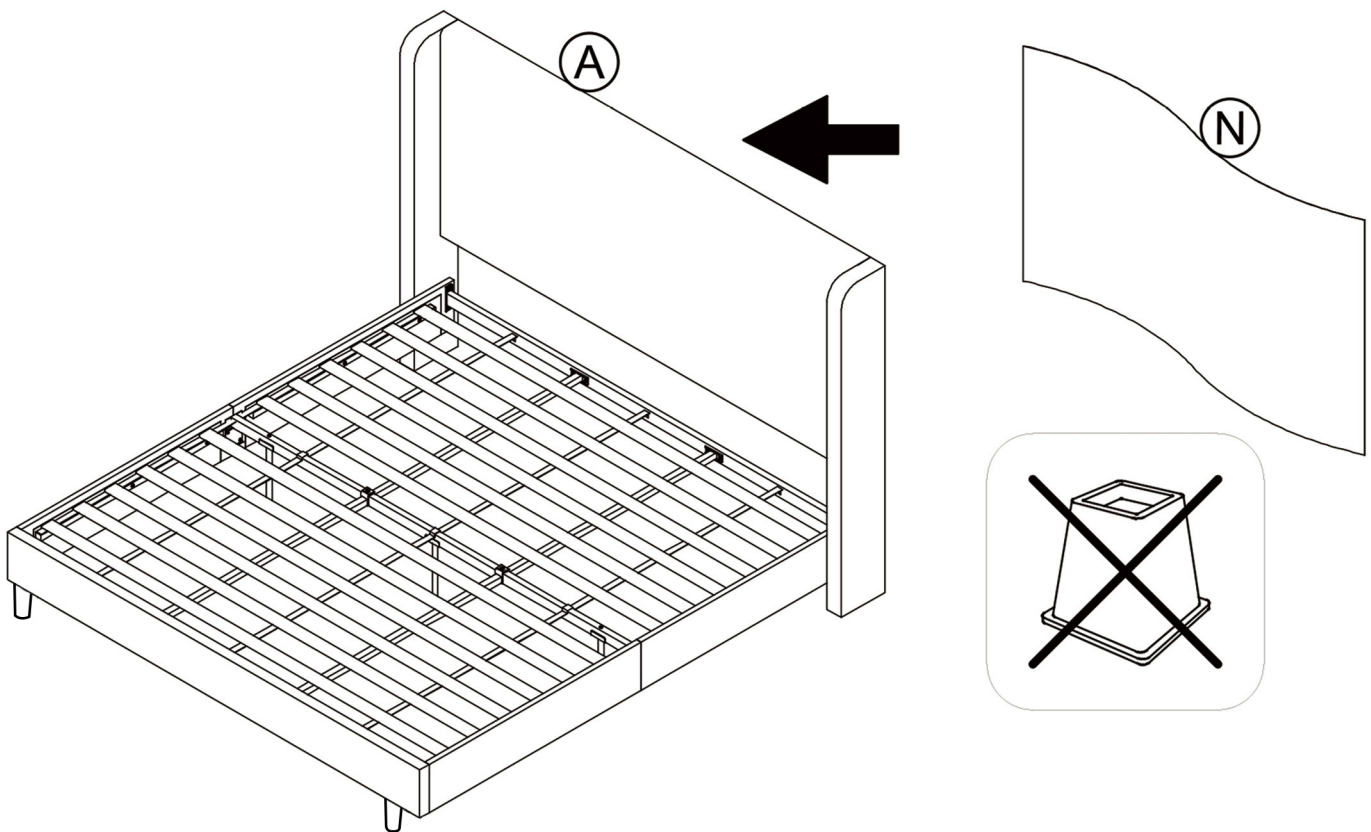
ASSEMBLY INSTRUCTIONS

11



ASSEMBLY INSTRUCTIONS

12



▲ WARNINGS:

For safety reasons and to prevent injuries:

- This bed is not intended for use by children under **4** years old.
- Prohibit jumping and horseplay on this bed.
- Do not use risers under this bed.