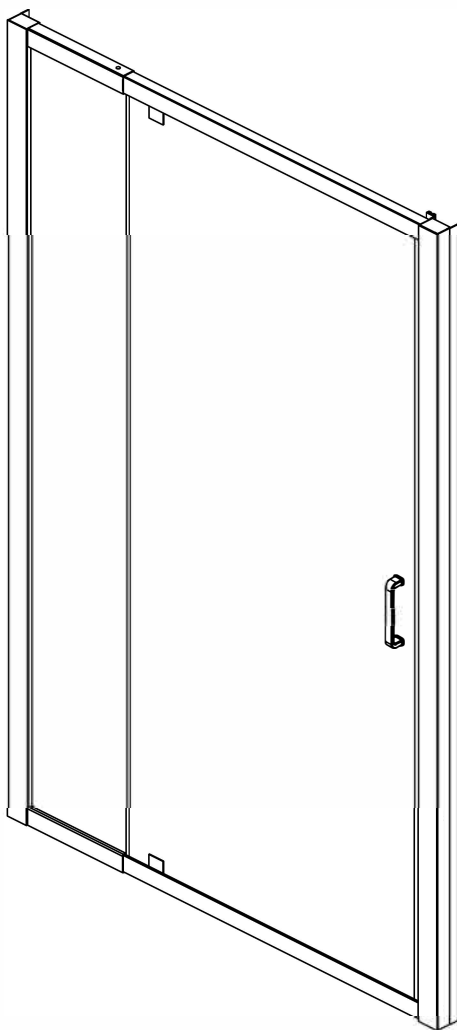


INSTALLATION INSTRUCTIONS



BEHL1006



◆ General Information

Please inspect the product immediately upon receipt for transit damage, missing packs/parts or manufacturing fault. Damage reported later cannot be accepted. Please handle the product with care avoiding knocks and shock loading to all sides and edges of the glass.

Notes: Safety glass can not be re-worked.

Please read these instructions carefully before start of installation.

Special care should be taken when drilling walls to avoid hidden pipes or electrical cables.

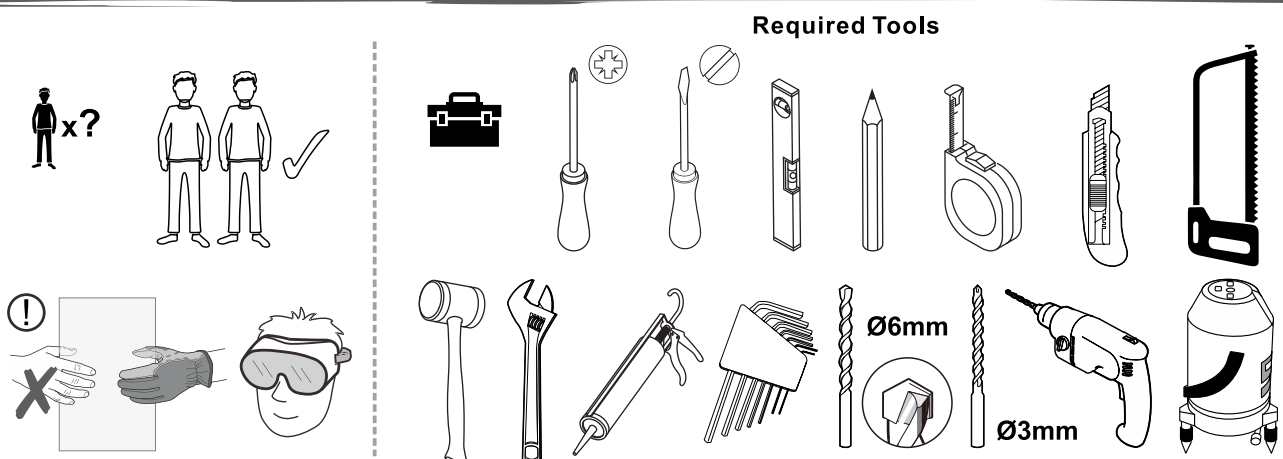
Note: This product is heavy and may require two people to install.

Aftercare instructions

After use, your shower should be cleaned with soap and water. This is particularly important in hard water districts where insoluble lime salts may be deposited and allowed to build up. Cleaners of a gritty or abrasive nature should not be used. Care should be taken to avoid contact with strong chemicals such as organic solvents and strippers.

Glass cleaners can be used but with caution, if in doubt contact the manufacturer of the cleaner in question.

Please keep these instructions for aftercare and customer service details.



1. Tools and Materials Required:

- Prepare the necessary tools, including a level, drill, screwdriver, measuring tape, safety glasses, and a rubber mallet. You will also need silicone sealant and painter's tape for final sealing.

- Check your shower area to ensure it is level and square. If there are any uneven surfaces, they may need to be corrected before proceeding.

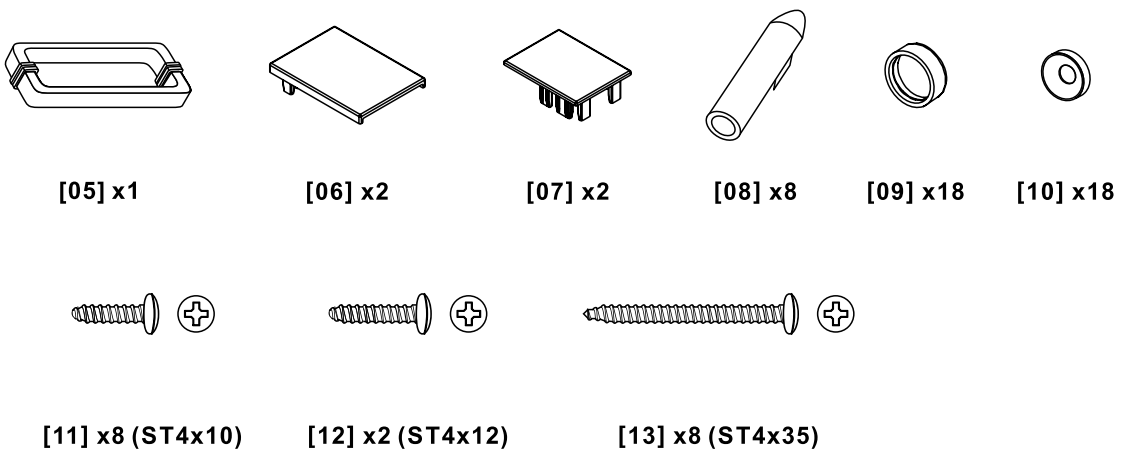
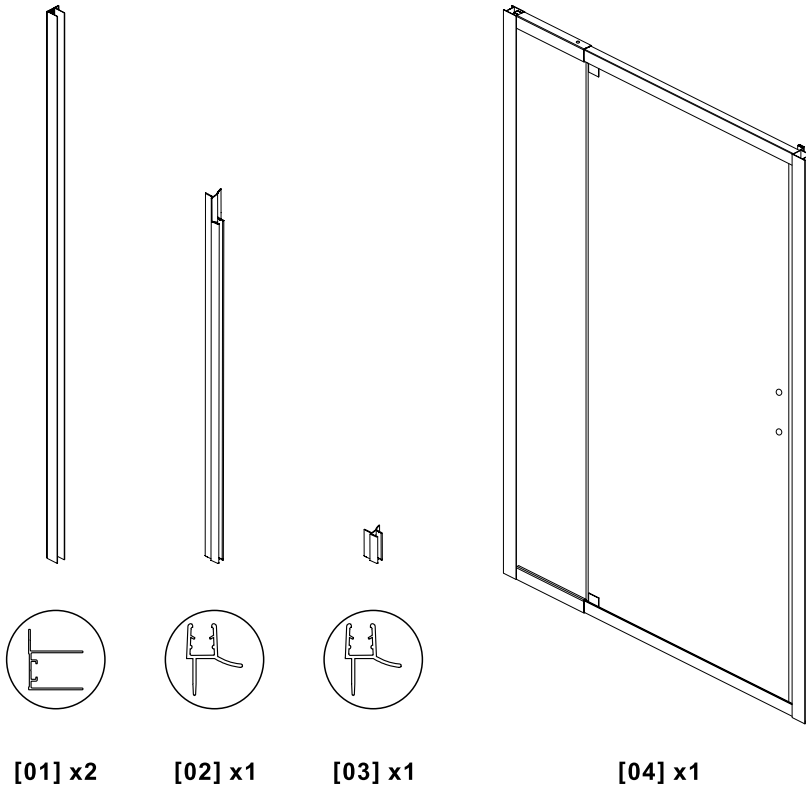


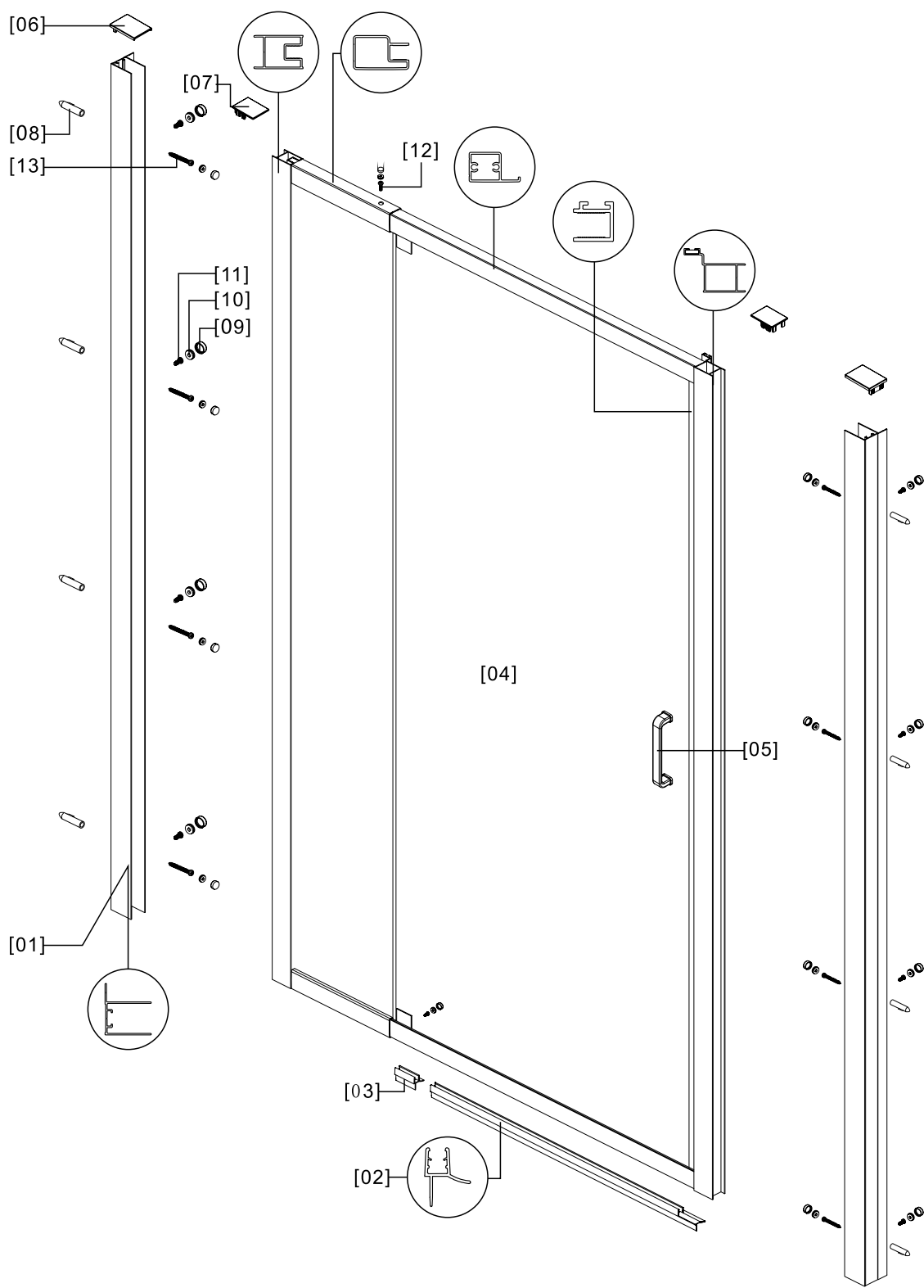
2. Unpack and inspect:

- Before proceeding with the installation, carefully remove all parts with gloves. Make sure you have all the items listed in the installation guide.
- Handle the glass panel carefully to prevent damage.
- Verify that the glass doors are free from any scratches or imperfections before starting the installation.
- If anything is missing or damaged, please contact us and we will help you.

3. Safety Precautions:

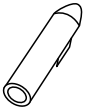
- This product is heavy and may require two people to install.
- Always wear safety glasses when drilling or handling glass.
- Ensure the installation area is clean and free of debris to prevent accidents.
- If installing over a bathtub, be cautious of the edges and surfaces to avoid chipping or cracking the enamel.





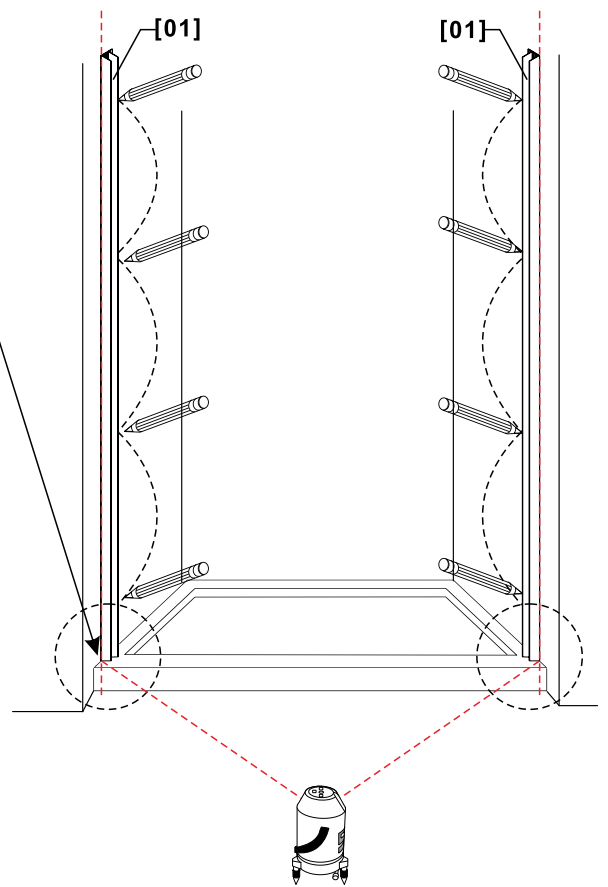
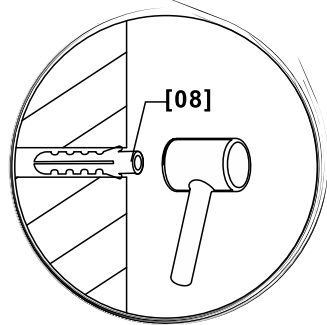
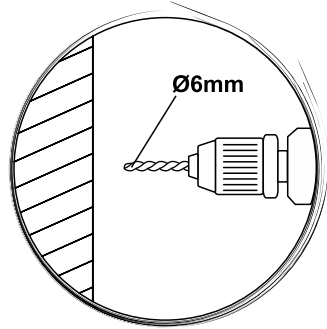
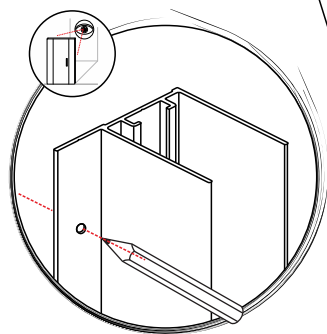
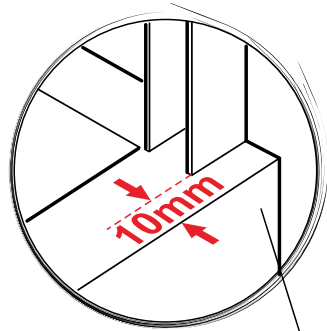


01

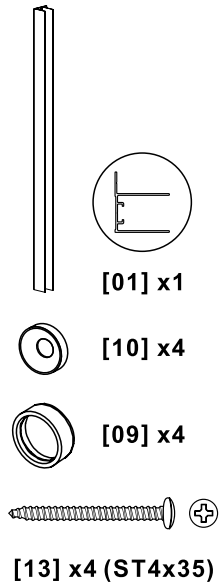


[08] x8

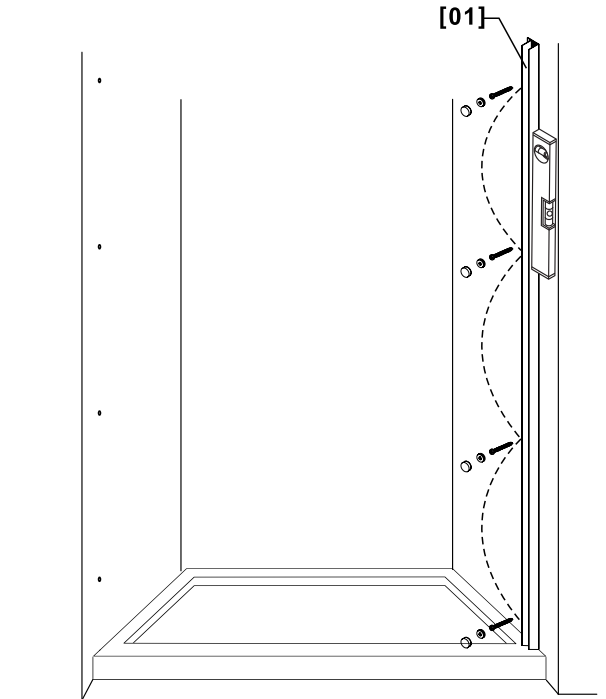
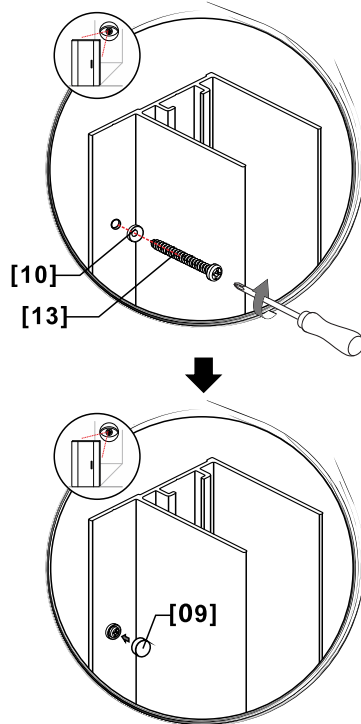
1. Start by placing the two Mounting Rails [01] about 10 millimeters from the edge. Just like it's shown in the figure. Make sure they're vertical. And, you know, mark the drilling positions with a pencil. But, uh, double-check the alignment before you start drilling.



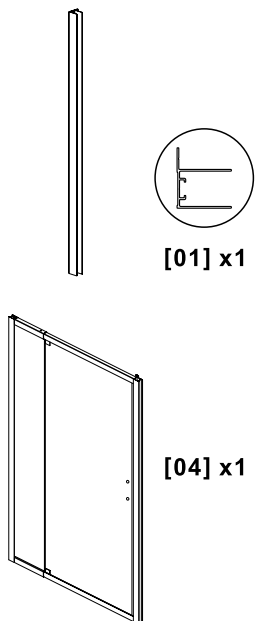
02



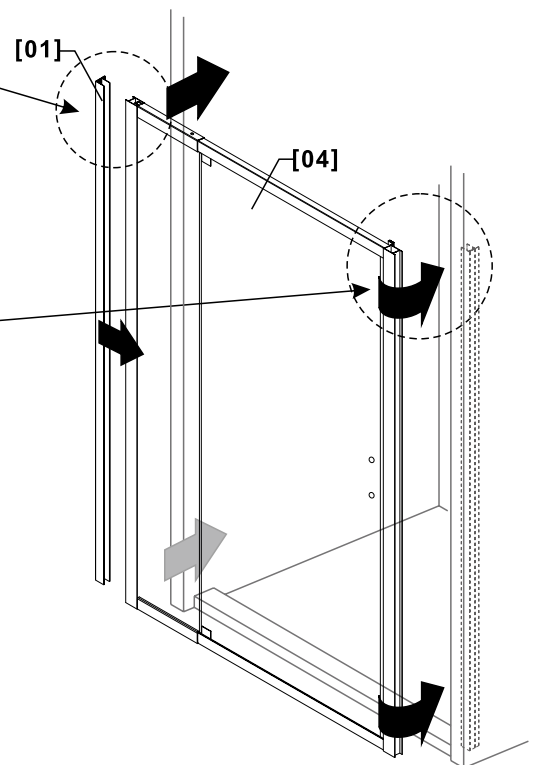
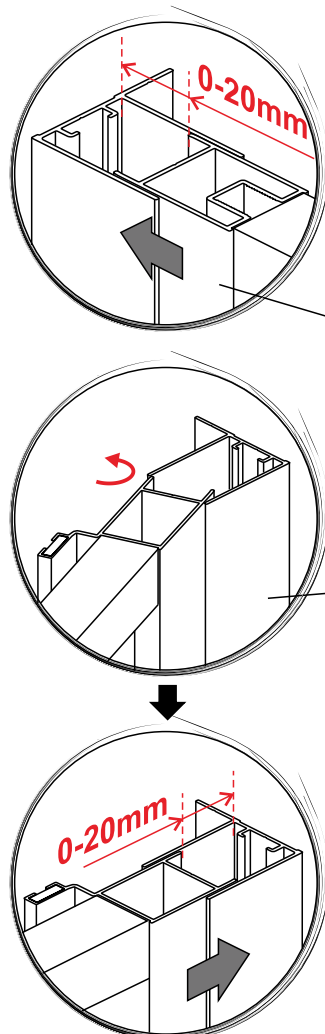
1. After drilling the holes with an electric drill, nail all wall adhesive granules [08]. Then fix the mounting aluminum plate [01] on one side with parts [10] and screws [13], lock the screws and close the screw cover [09].




03




2. Snap the glass door [04] into the wall material [01] on one side of the installation, then snap the glass door [04] into the wall material [01] on the other side of the installation. The mounting walls [01] on the left and right sides have an adjustment space of 20 mm each, which can be adjusted as required.



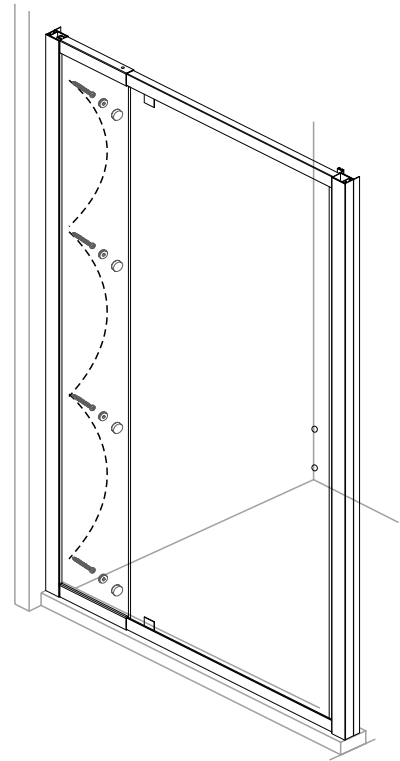
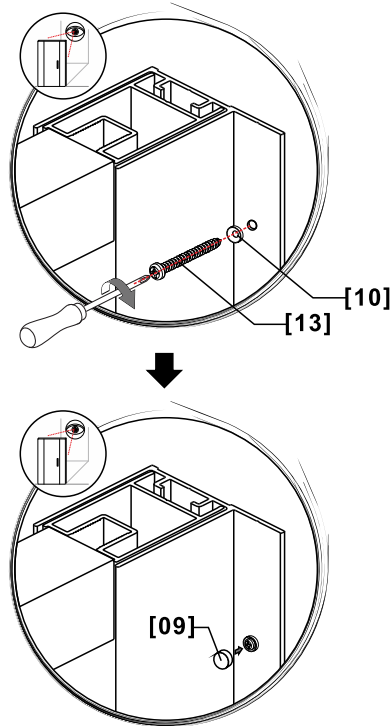
04

 [10] x4

 [09] x4

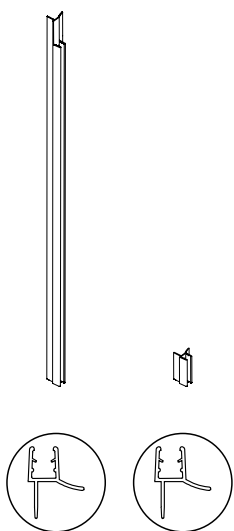
 [13] x4 (ST4x35)

1. Secure the other mounting aluminum plate [01] with parts [10] and screws [13], lock the screws and close the screw cover [09].



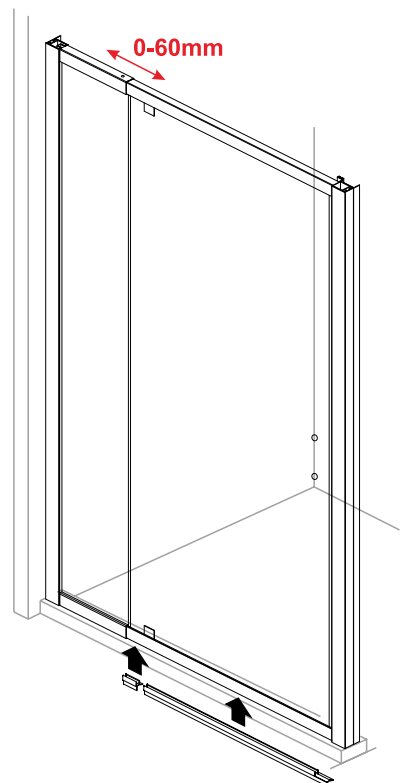
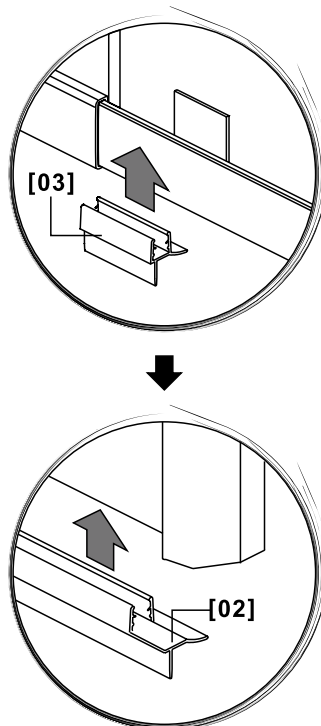
05

1. The mounting rail above the glass door has a 60 mm adjustment space as shown in the figure. Install the water retaining tape [03] on the left side of the hinge below the glass door and the water retaining tape [02] on the right side of the hinge below the glass door.

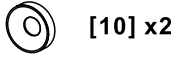


[02] x1

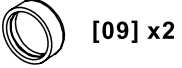
[03] x1



06



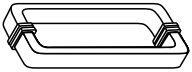
[10] x2



[09] x2

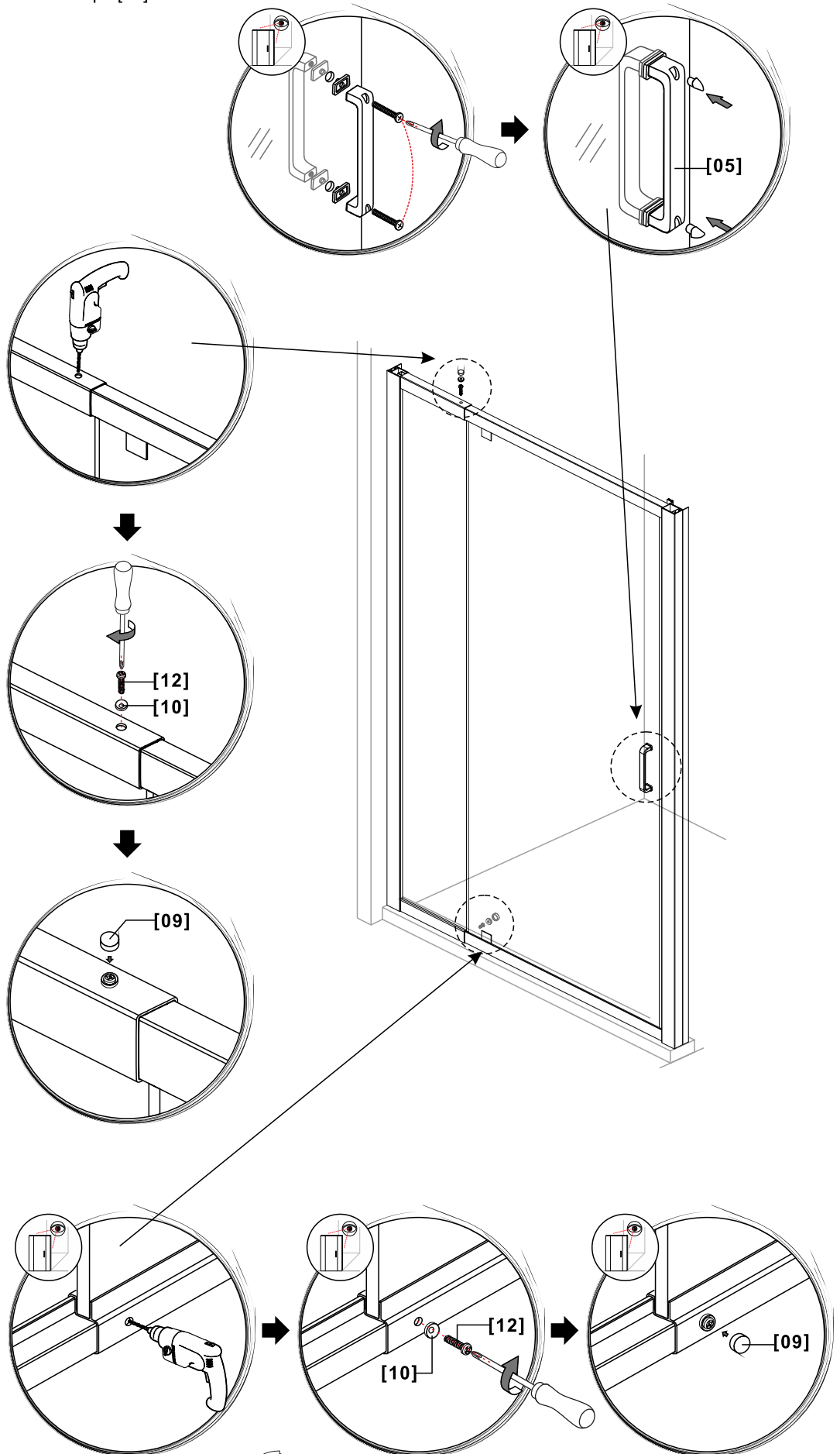


[12] x2 (ST4x12)





[05] x1


1. Install the door handle [05] on the glass door as shown in the figure. Then drill holes for locking parts [10] and screws [12] on the upper and lower mounting crosspieces and cover with screw caps [09].



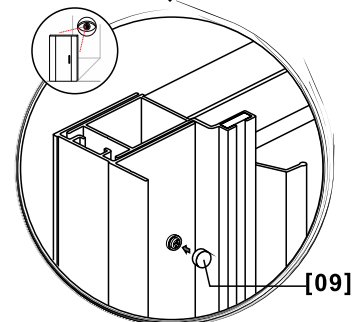
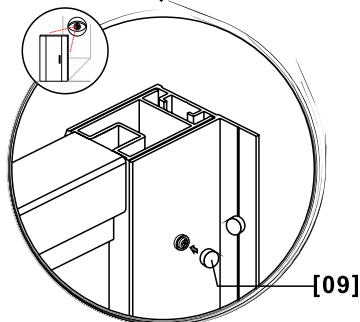
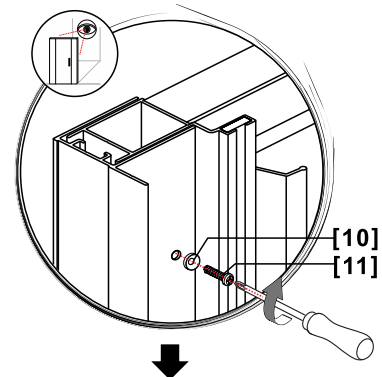
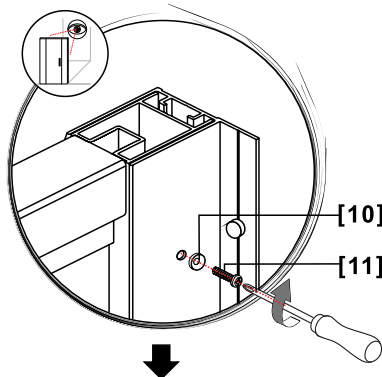
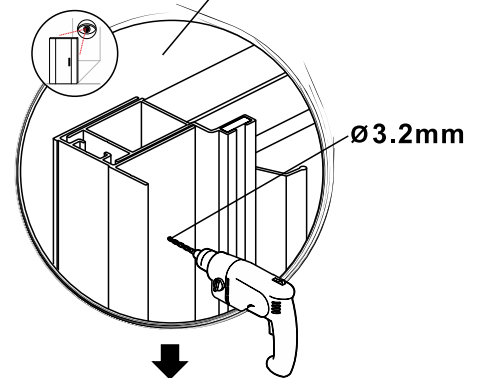
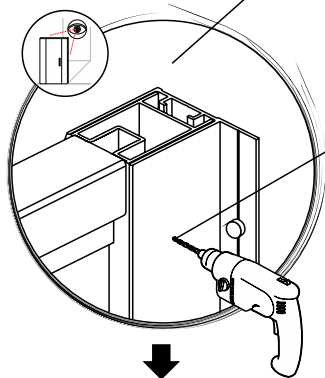
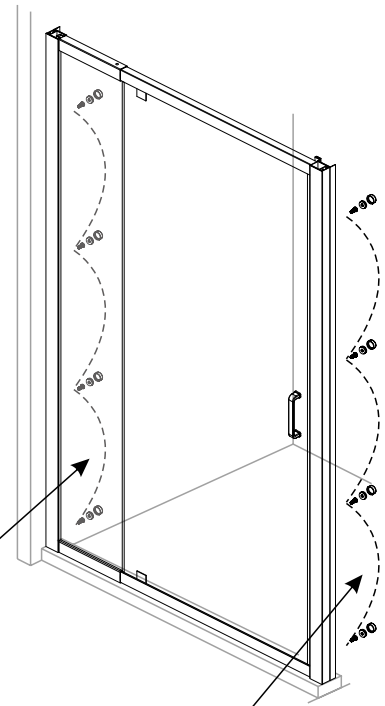
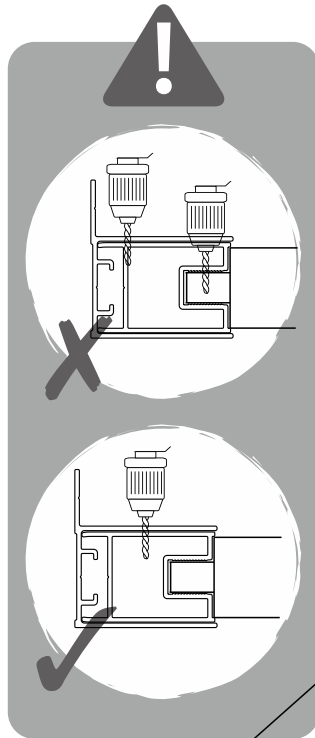
07

 [10] x8

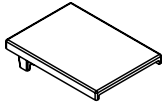
 [09] x8

 [11] x8 (ST4x10)

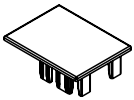
1. Drill holes in the side of the mounting wall material to lock the parts [10] and screws [11] as shown in the figure and cover with screw caps [09].



08

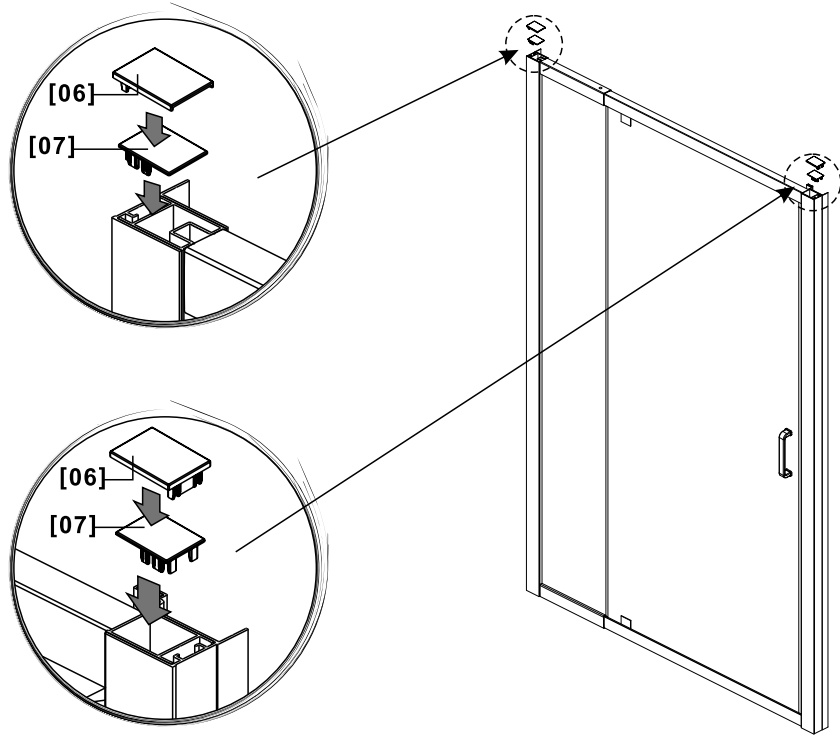


[06] x2



[07] x2

1. Cover the top of each side of the mounting wall material with the wall cover [07] first and then the wall cover [06] as shown.



09

1. As shown in the diagram, apply silicone sealant for waterproof sealing.
2. Don't get wet or use it within 24 hours.

