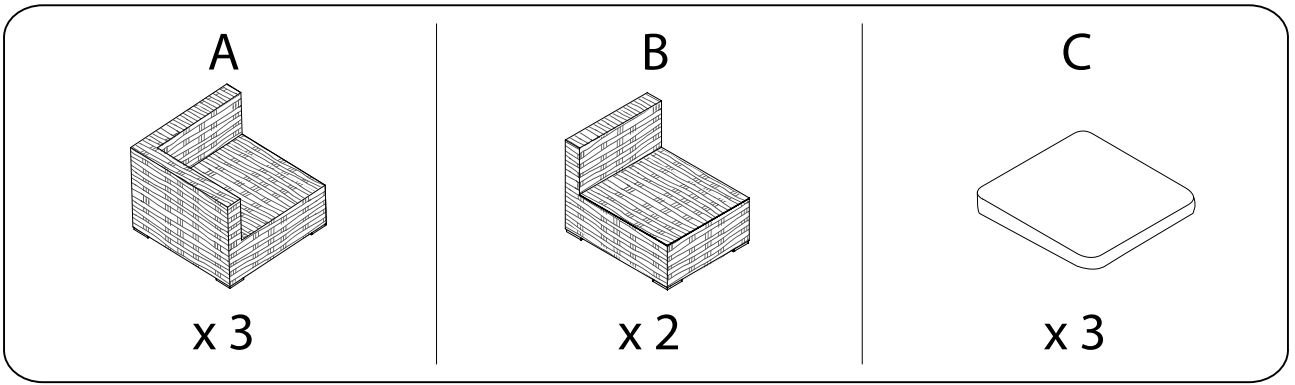
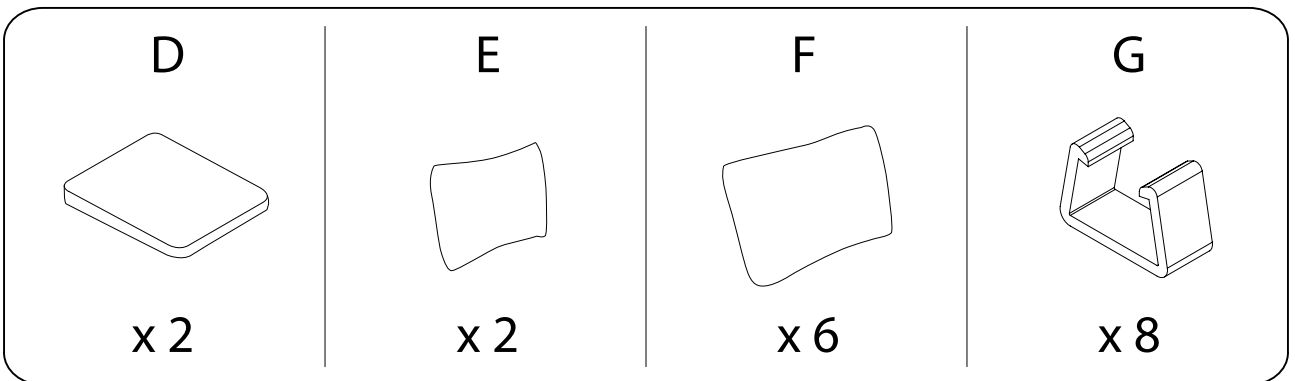
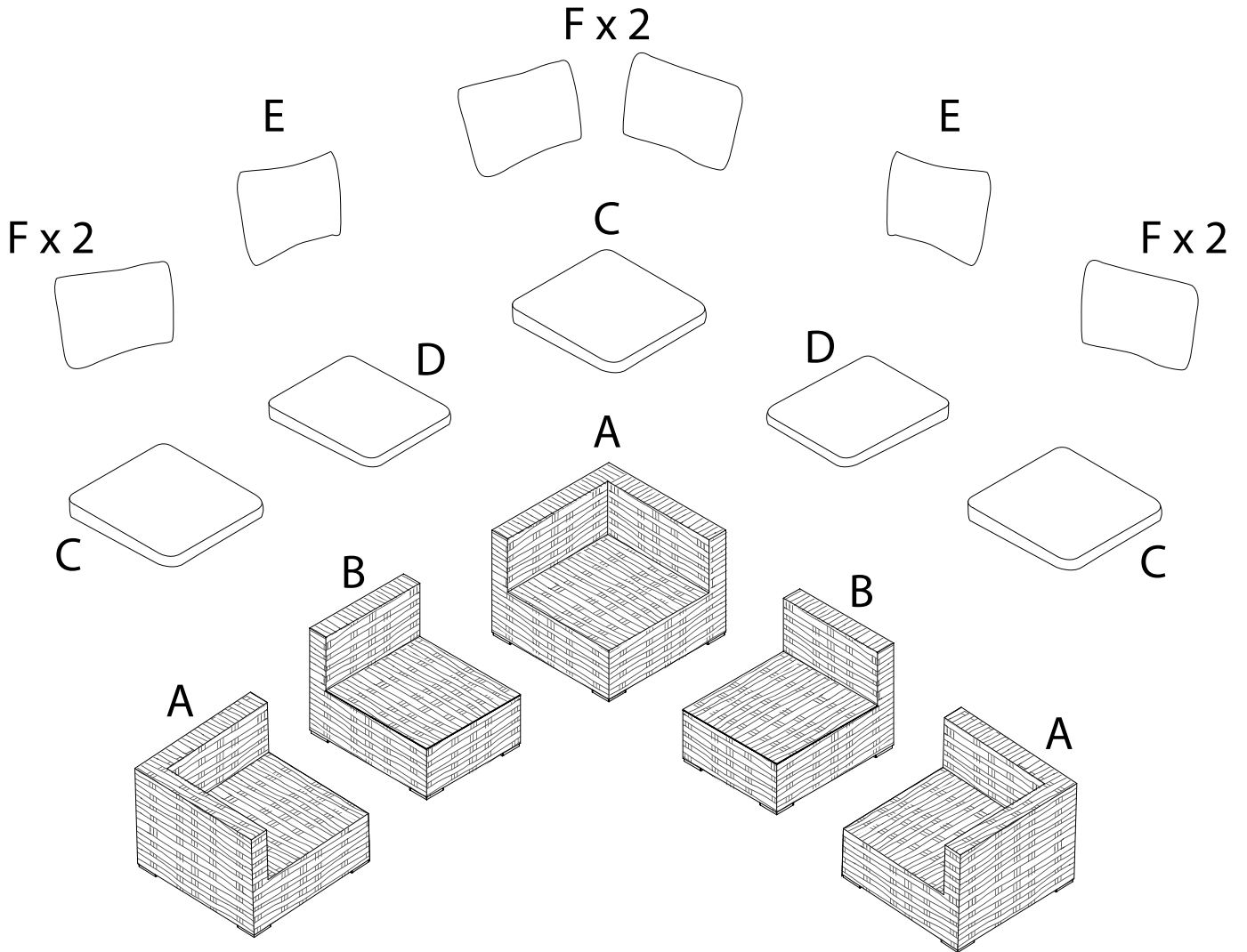


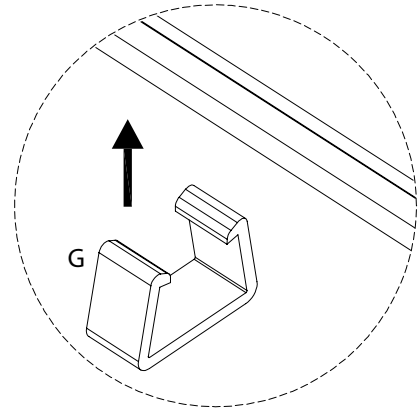
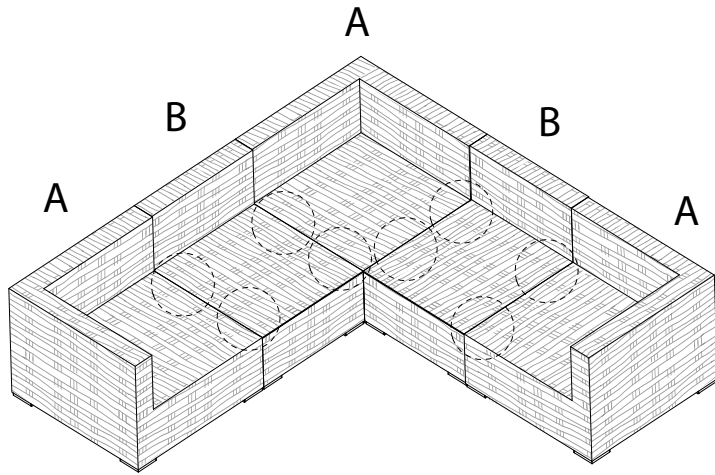
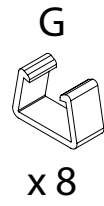
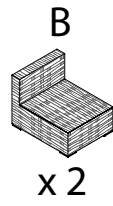
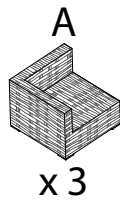
A



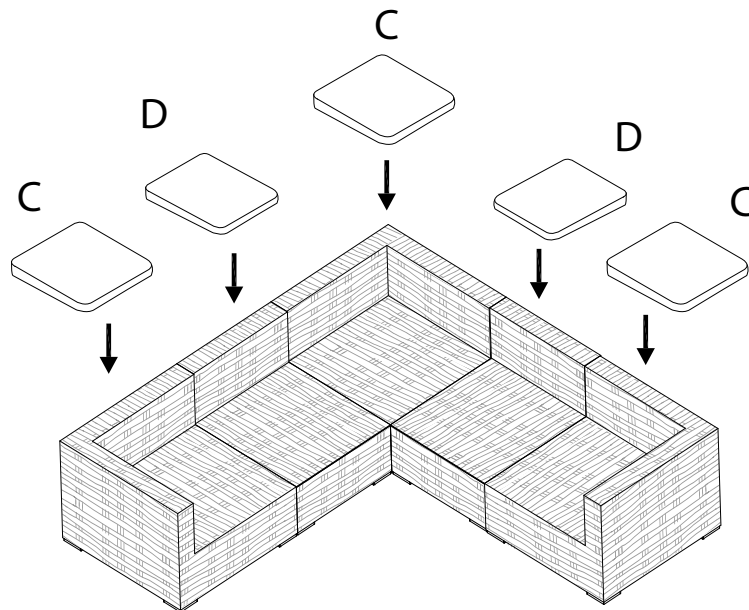
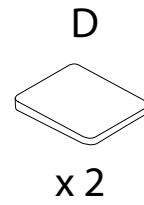
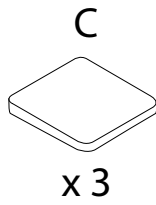
F x 2



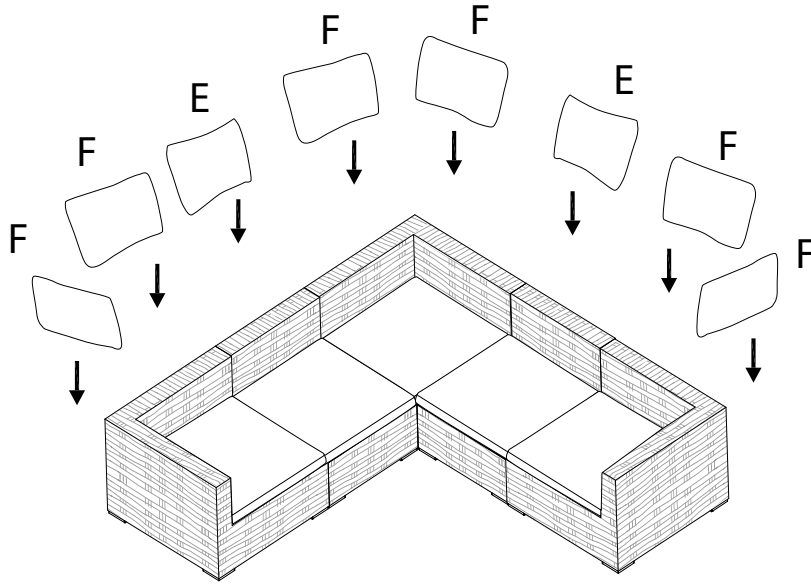
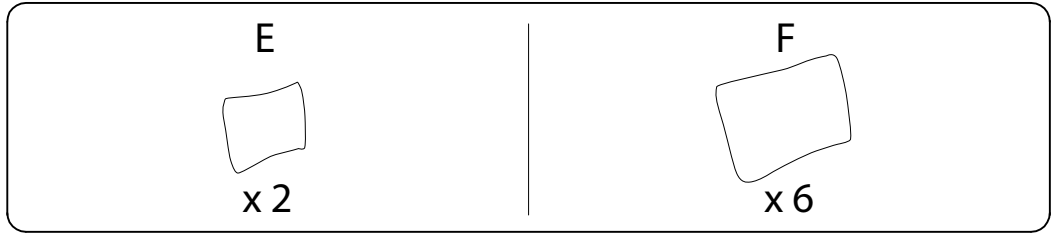
1



2

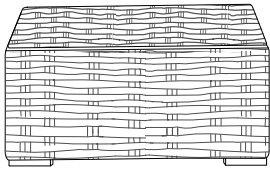


3



B

A



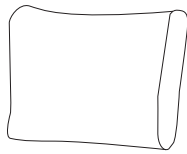
x 1

B

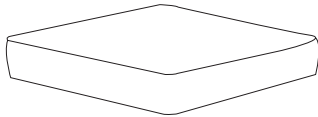


x 1

E



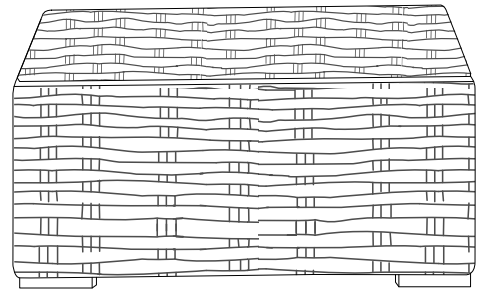
D



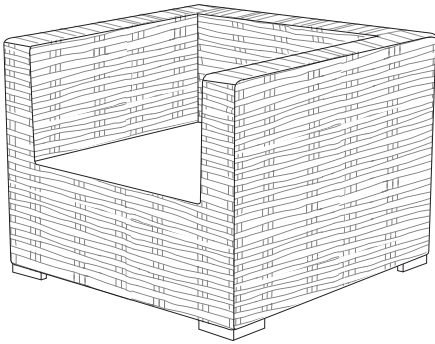
B



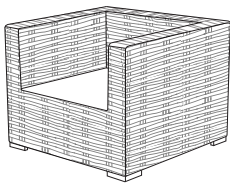
A



C

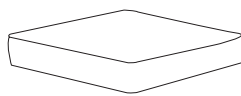


C



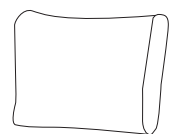
x 1

D



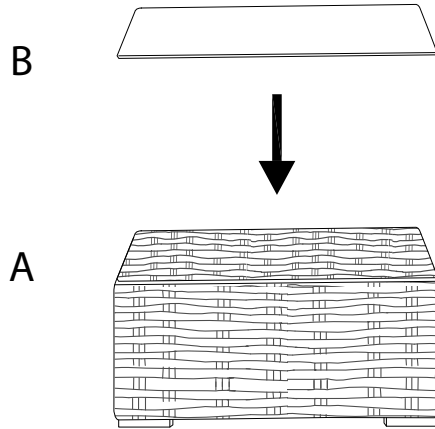
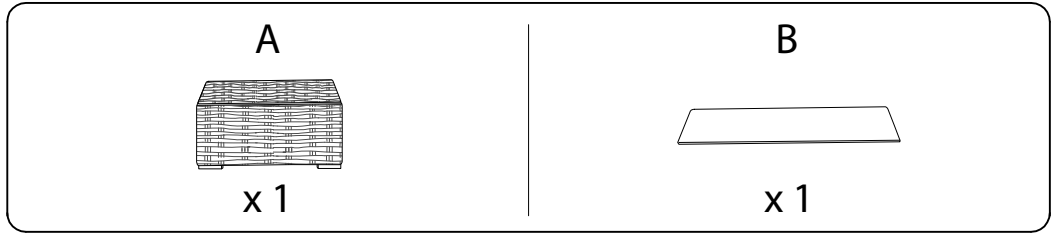
x 1

E



x 1

1



2

