

COFFEE TABLE ASSEMBLY INSTRUCTION

Thank you for purchasing this quality product. Be sure to check all packing material carefully for small parts which may have come loose inside the carton during shipment. Separate, identify and count all parts and hardware. Compare with the parts list to be sure all parts are present.

IMPORTANT : PLEASE READ INSTRUCTION BEFORE STARTING THE ASSEMBLY.

"DO NOT TIGHTEN SCREWS UNTIL COMPLETELY ASSEMBLED"

"DO NOT OVERTIGHT ANY HARDWARE"

WARNING : SMALL PARTS AND HARDWARE NOT FOR CHILDREN UNDER 3 YEARS. ADULT ASSEMBLY REQUIRED.

TABLE OF CONTENTS

HARDWARES LIST

PAGE 2

PARTS LIST

PAGE 2

ASSEMBLY STEPS

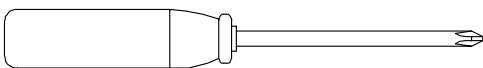
PAGE 2

ASSEMBLY COMPLETED

PAGE 3

ASSEMBLY TOOLS REQUIRED

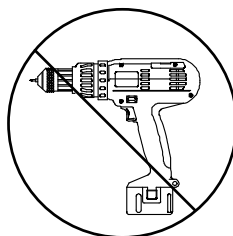
1. Screwdriver (not provide)



2. Hammer (not provide)

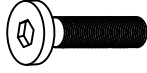
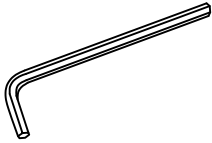


Skip the power drill this time.

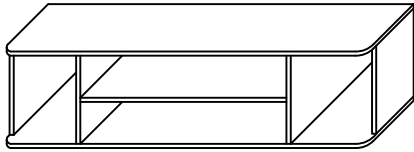
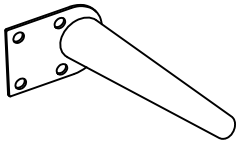


COFFEE TABLE ASSEMBLY INSTRUCTION

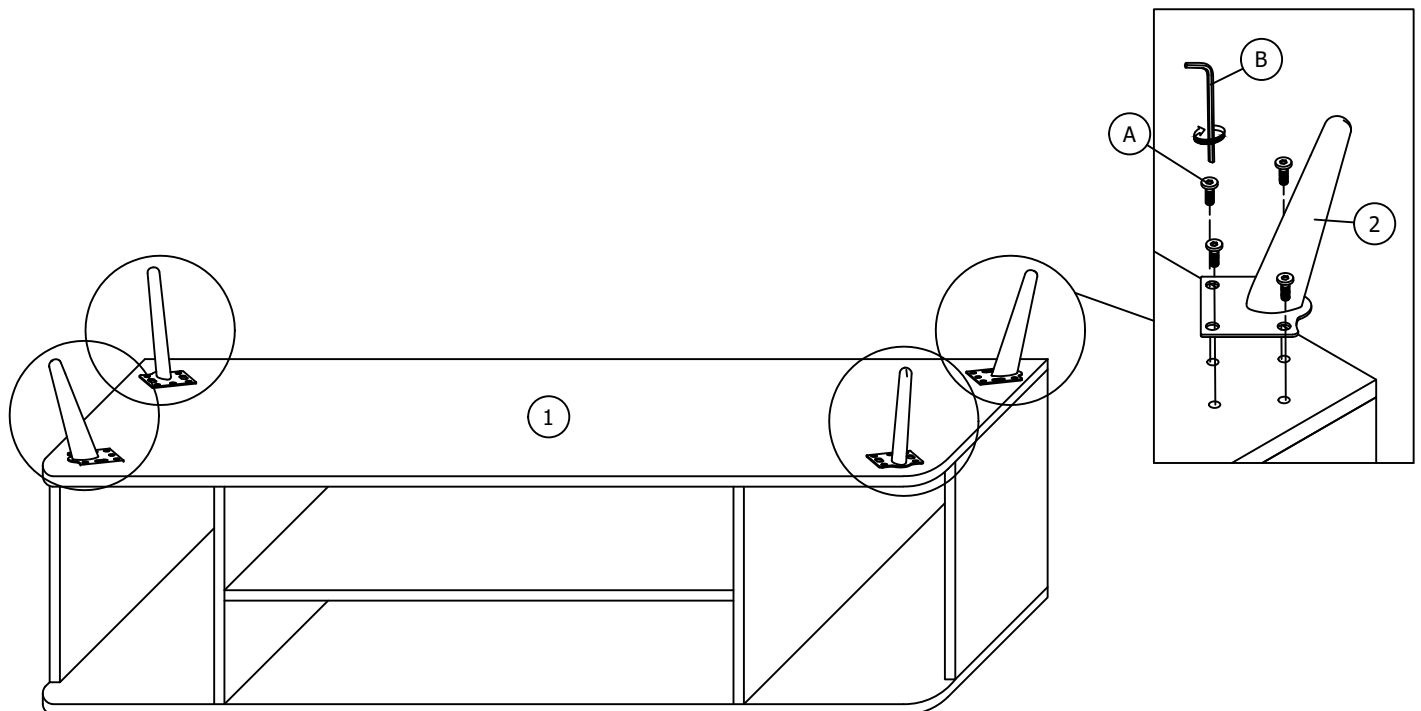
HARDWARES LIST

| ITEM | DESCRIPTION | DRAWING | QTY |
|------|----------------------|--|--------|
| A | JCBC SCREW M6 x 16MM |  | 16 PCS |
| B | M4 ALLEN KEY (65MM) |  | 1 PC |

PART LIST

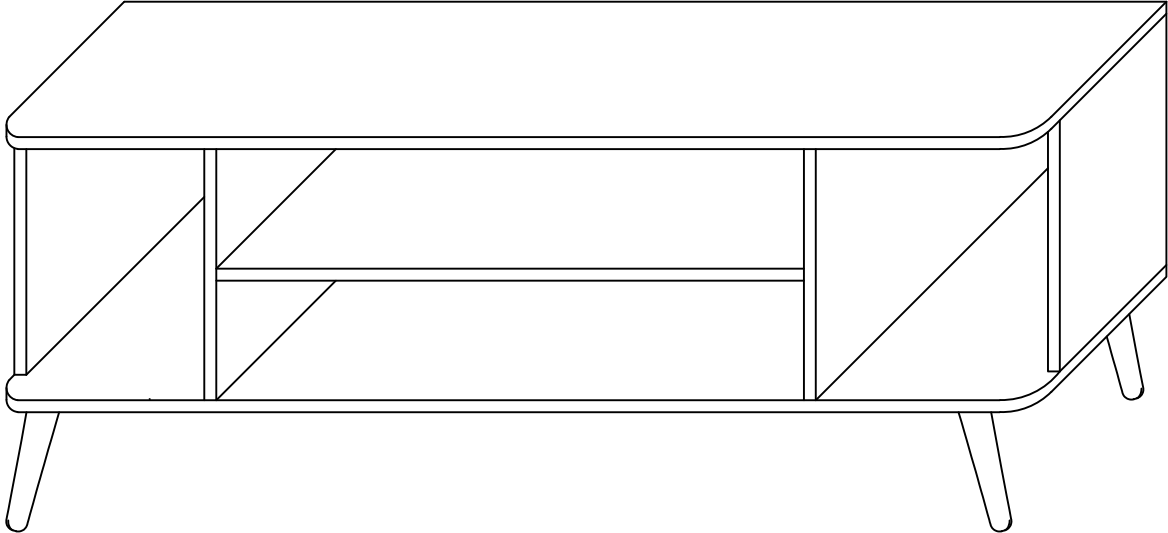
| ITEM | DESCRIPTION | DRAWING | QTY |
|------|--------------|--|-------|
| 1 | COFFEE TABLE |  | 1 PC |
| 2 | METAL LEG |  | 4 PCS |

STEP 1



COFFEE TABLE ASSEMBLY INSTRUCTION

STEP 2



ASSEMBLY COMPLETED