

---

---

# LIGHTED MAKEUP VANITY TABLE SET

User Manual

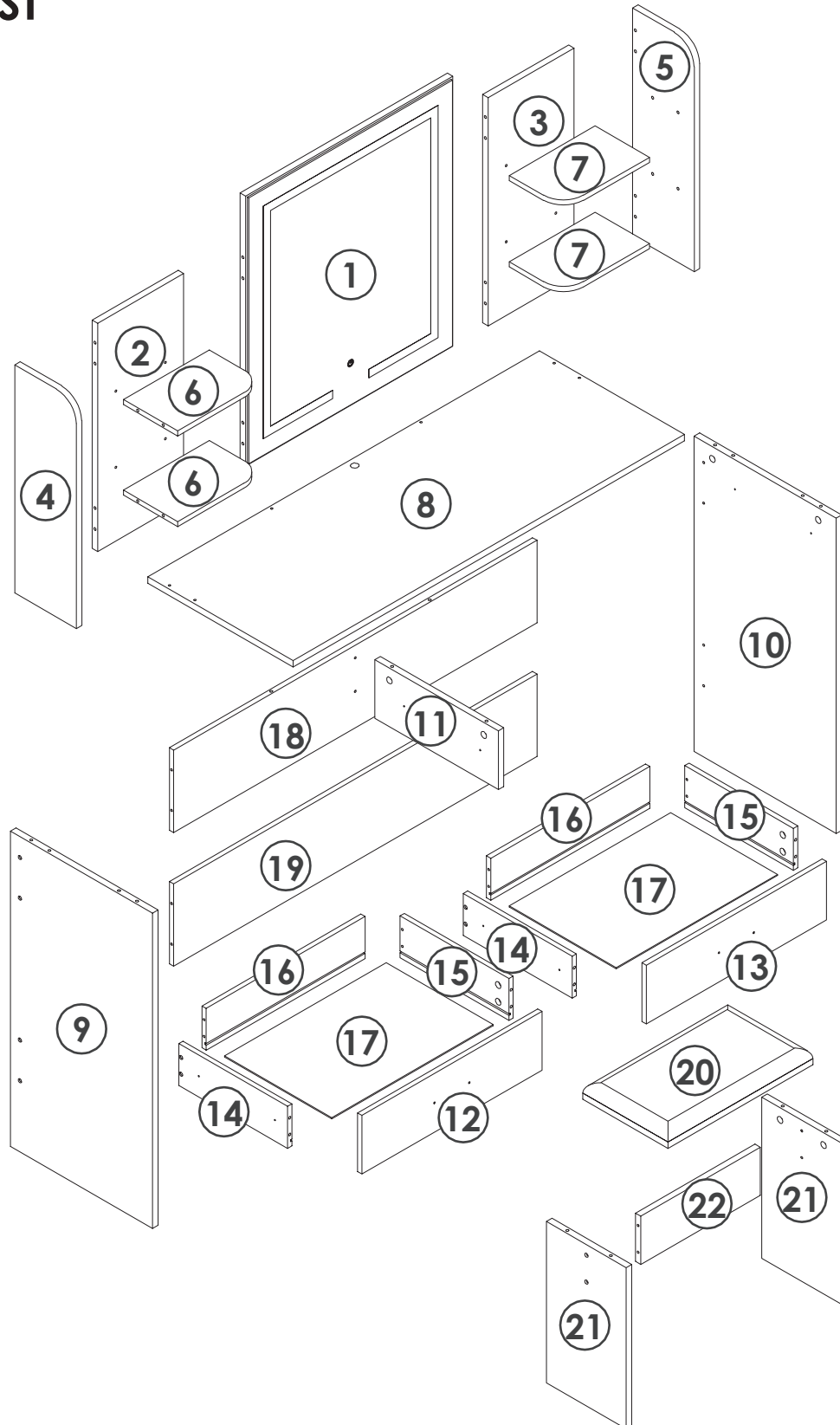
---

---

# INTRODUCTION



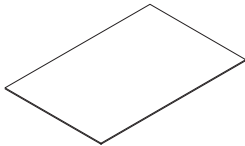
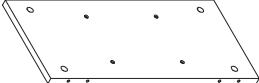

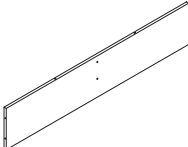

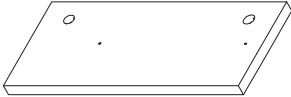
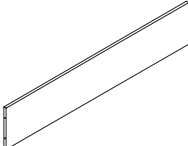
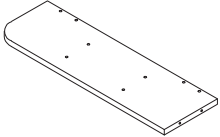

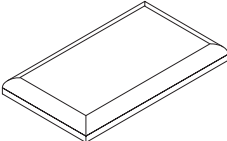
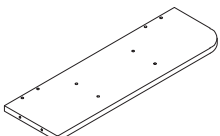
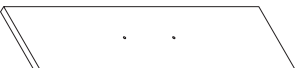

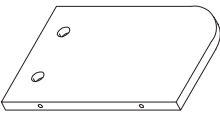

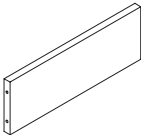
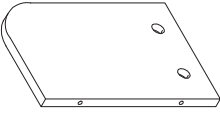
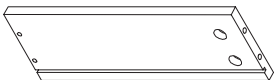
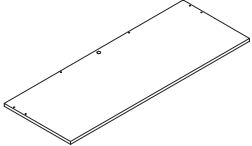
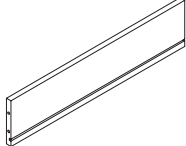
Thank you very much for choosing our Lighted Makeup Vanity Table Set. Please read this manual before using the product as it may contains some information you don't know. If you have any questions, please feel free to send us email.

## PARTS LIST



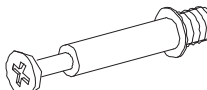

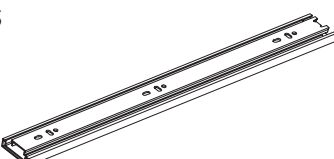
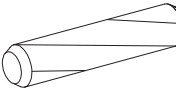
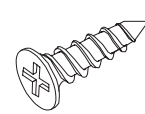
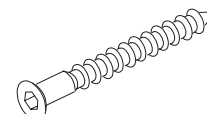

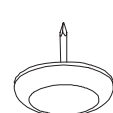
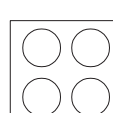
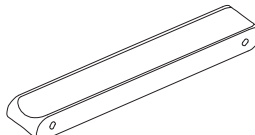
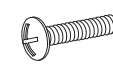

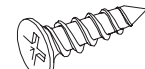

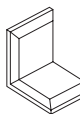



# PARTS LIST

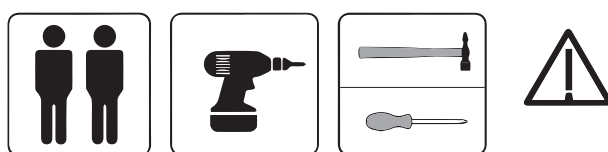
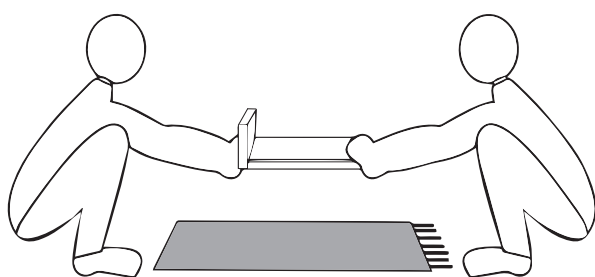
Unit: (mm)

<p>① 645*572</p>  <p>x1</p>	<p>⑨ 752*392</p>  <p>x1</p>	<p>⑰ 456*296</p>  <p>x2</p>
<p>② 545*240</p>  <p>x1</p>	<p>⑩ 752*392</p>  <p>x1</p>	<p>⑱ 1006*198</p>  <p>x1</p>
<p>③ 545*240</p>  <p>x1</p>	<p>⑪ 344*140</p>  <p>x1</p>	<p>⑲ 1006*198</p>  <p>x1</p>
<p>④ 545*170</p>  <p>x1</p>	<p>⑫ 499*140</p>  <p>x1</p>	<p>⑳ 410*240</p>  <p>x1</p>
<p>⑤ 545*170</p>  <p>x1</p>	<p>⑬ 499*140</p>  <p>x1</p>	<p>㉑ 385*220</p>  <p>x2</p>
<p>⑥ 240*150</p>  <p>x2</p>	<p>⑭ 300*100</p>  <p>x2</p>	<p>㉒ 332*117</p>  <p>x1</p>
<p>⑦ 240*150</p>  <p>x2</p>	<p>⑮ 300*100</p>  <p>x2</p>	
<p>⑧ 1080*400</p>  <p>x1</p>	<p>⑯ 446*100</p>  <p>x2</p>	

# ACCESSORIES LIST

Unit: (mm)

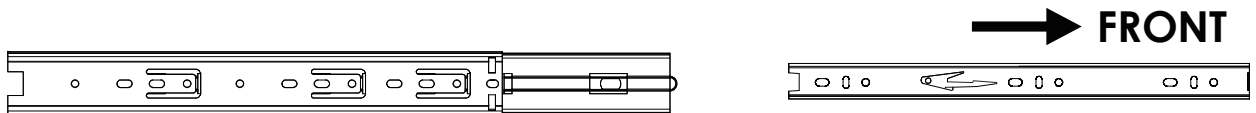
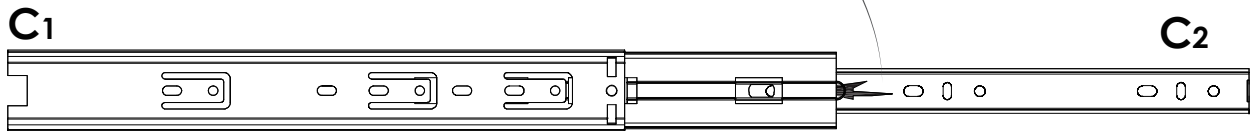
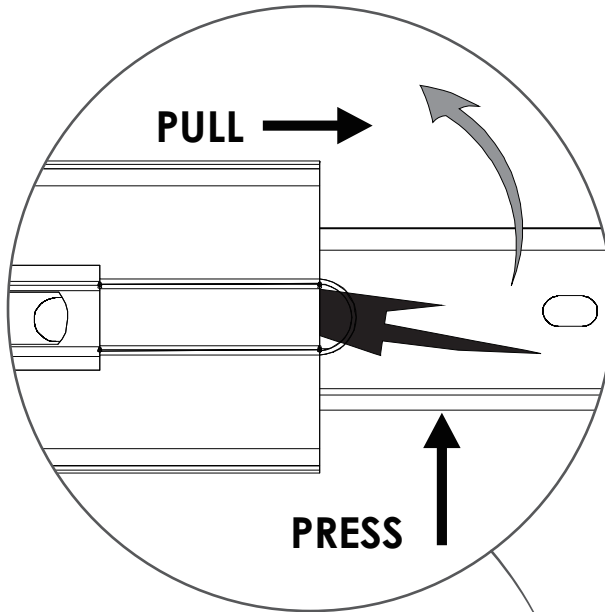
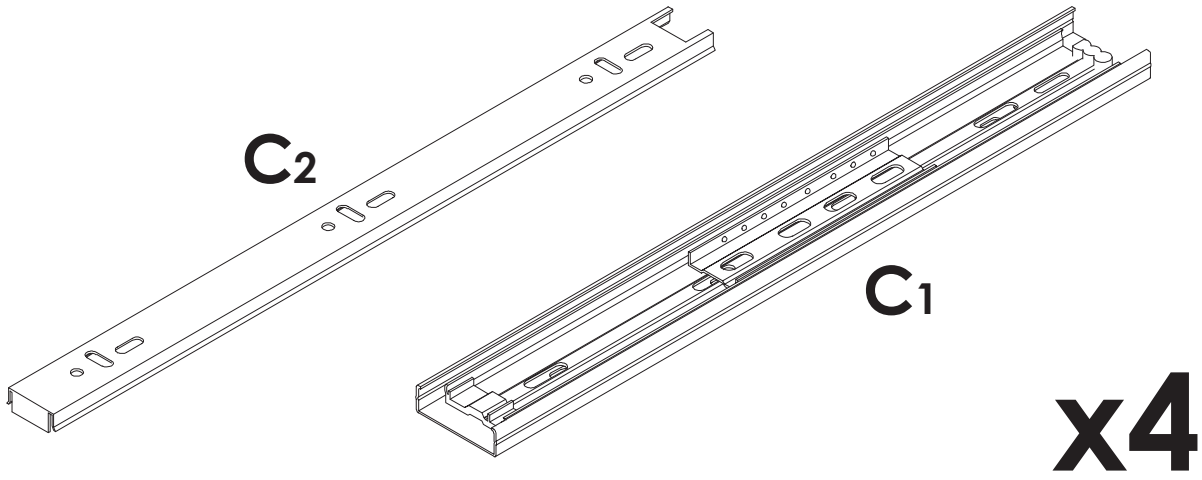
<b>A</b> $\varnothing 6 \times 36$  x30	<b>B</b> $\varnothing 15 \times 9.8$  x34	<b>C</b> 12 inches  x4	
<b>D</b> 8*30mm  x8	<b>E</b> 3.5*14mm  x10	<b>F</b> M5*40#3   x36 x1	
<b>G</b> $\varnothing 12 \times 5$ mm  x8	<b>J</b> $\varnothing 20$ mm  x32	<b>H</b> 96 M4*16mm   x2 x4	
<b>K</b> $\varnothing 6 \times 30$ mm  x2	<b>L</b> 3.5*12mm  x8	<b>M</b> M4*50mm / 8*40mm    x2 x2	
<b>N</b> LED  x1		<b>AA</b> $\varnothing 6.5 \times 36$  x4	



## Tips

1. When installing the product, use a soft surface (such as carpet or cardboard) to avoid scratching or damaging the surface of the product.
2. Do not use any glue.
3. The product is unstable before it is assembled. Please pay attention to the product installation sequence, and align all screws and screw holes before tightening.
4. The structure of this product can not meet the requirements of children climbing.

# INSTALLATION STEPS



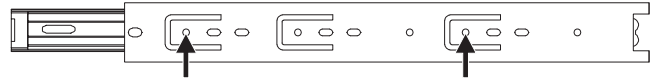
1

YOU WILL NEED

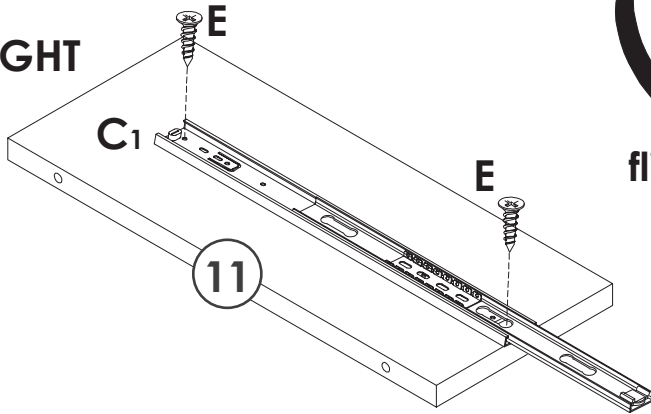
C<sub>1</sub> x2

E x4

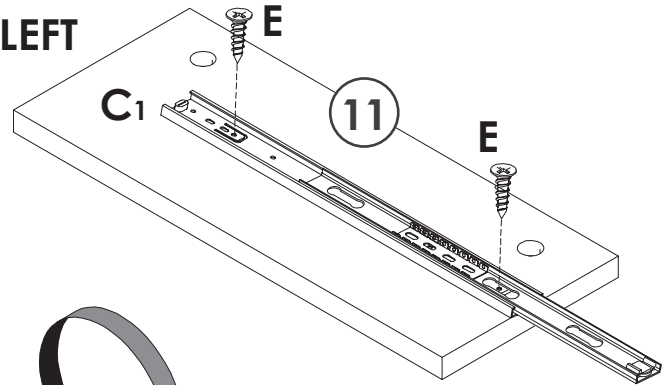
LEFT



RIGHT

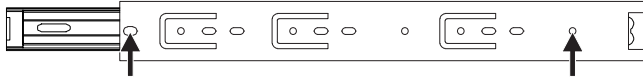


LEFT



flip over

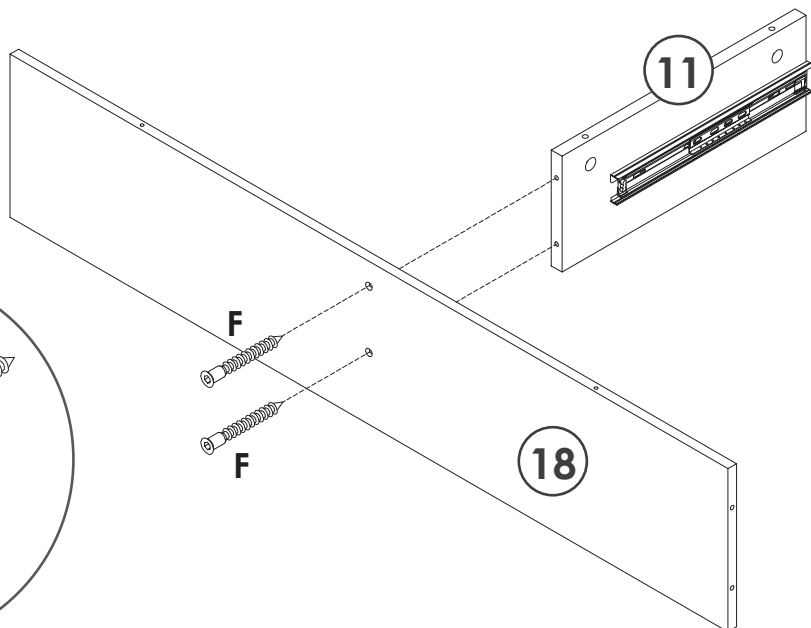
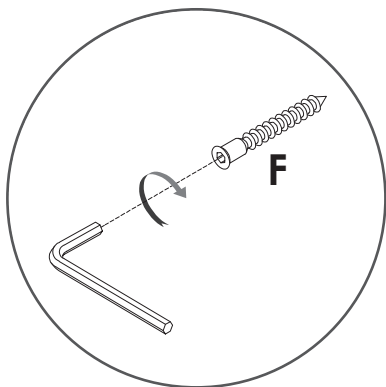
RIGHT



2

YOU WILL NEED

F x2

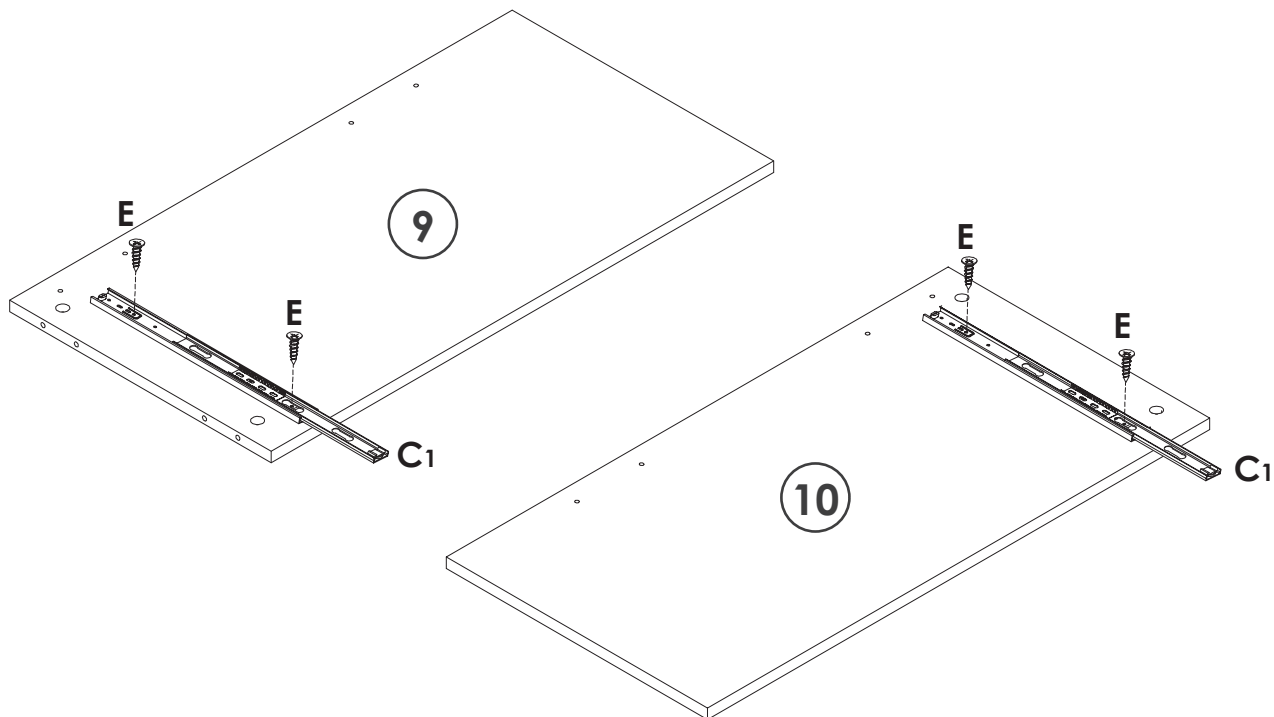
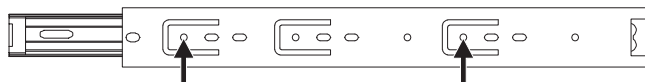


3

YOU WILL NEED

C<sub>1</sub> x2

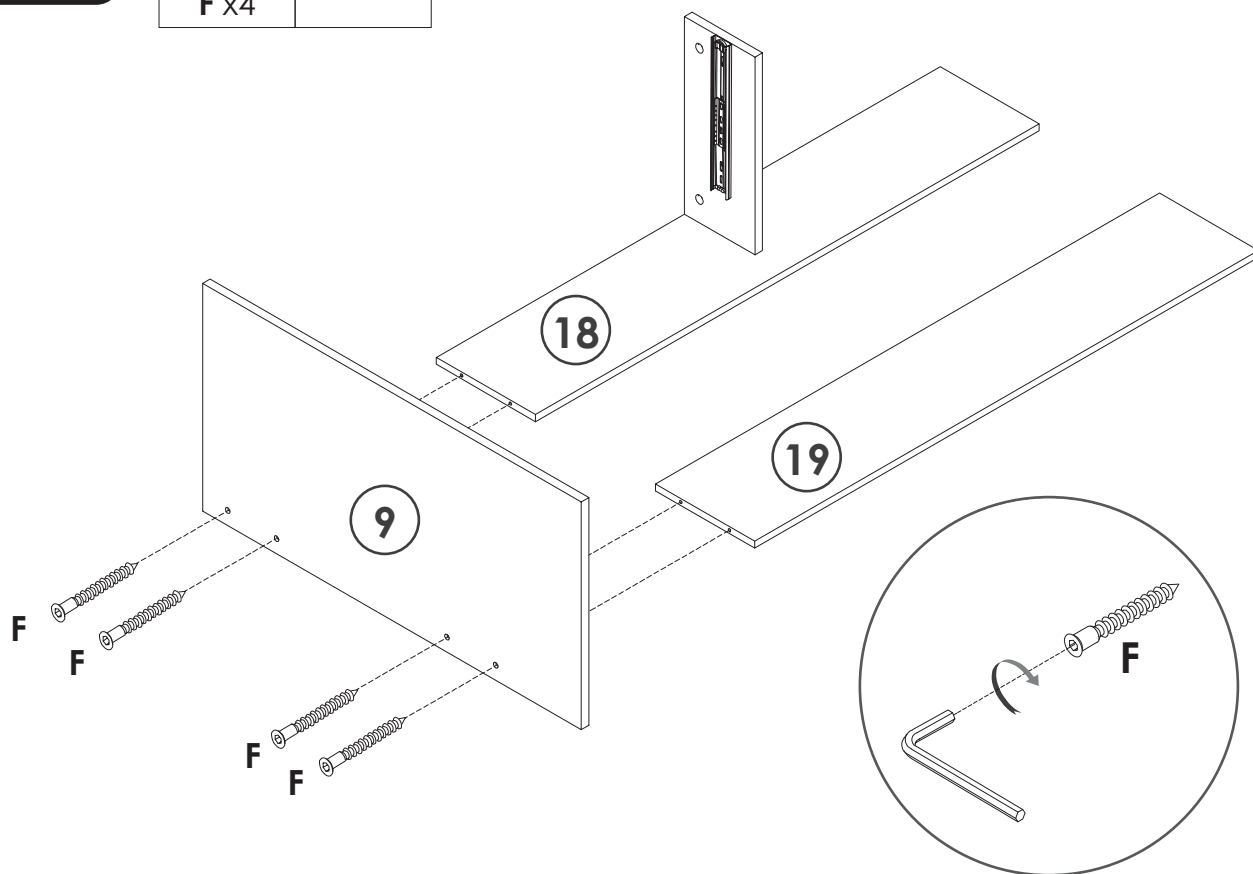
E x4



4

YOU WILL NEED

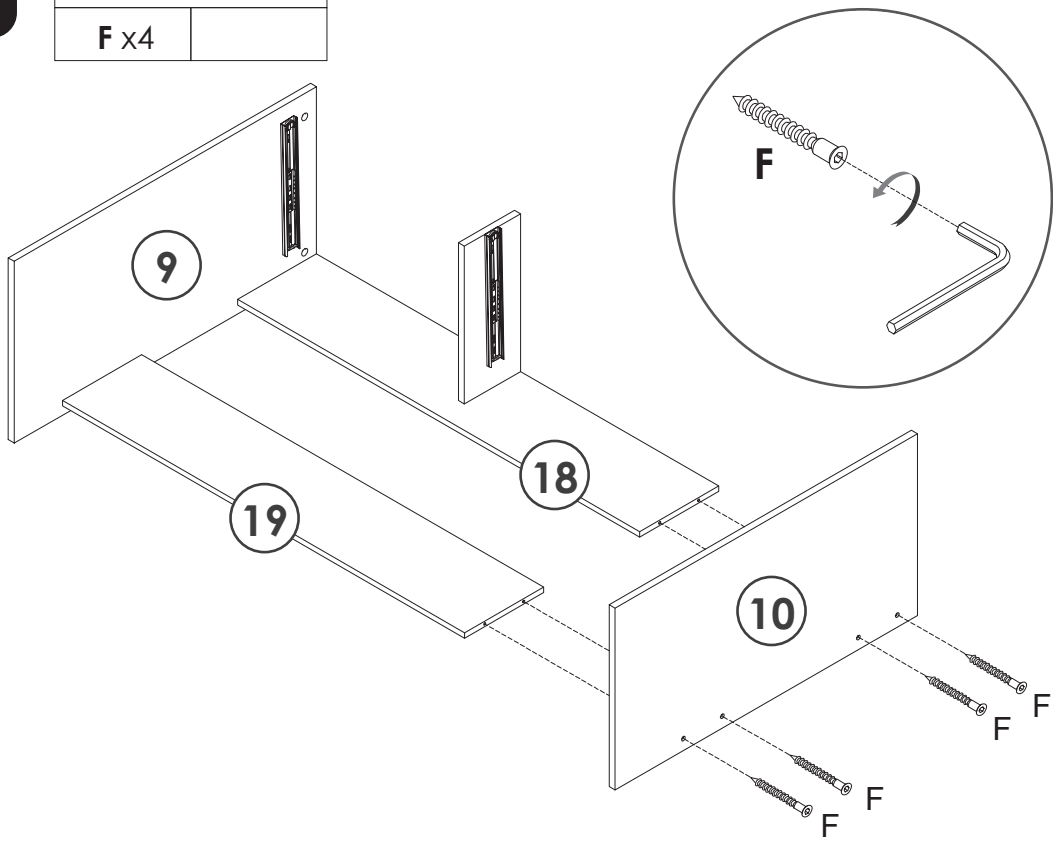
F x4



5

YOU WILL NEED

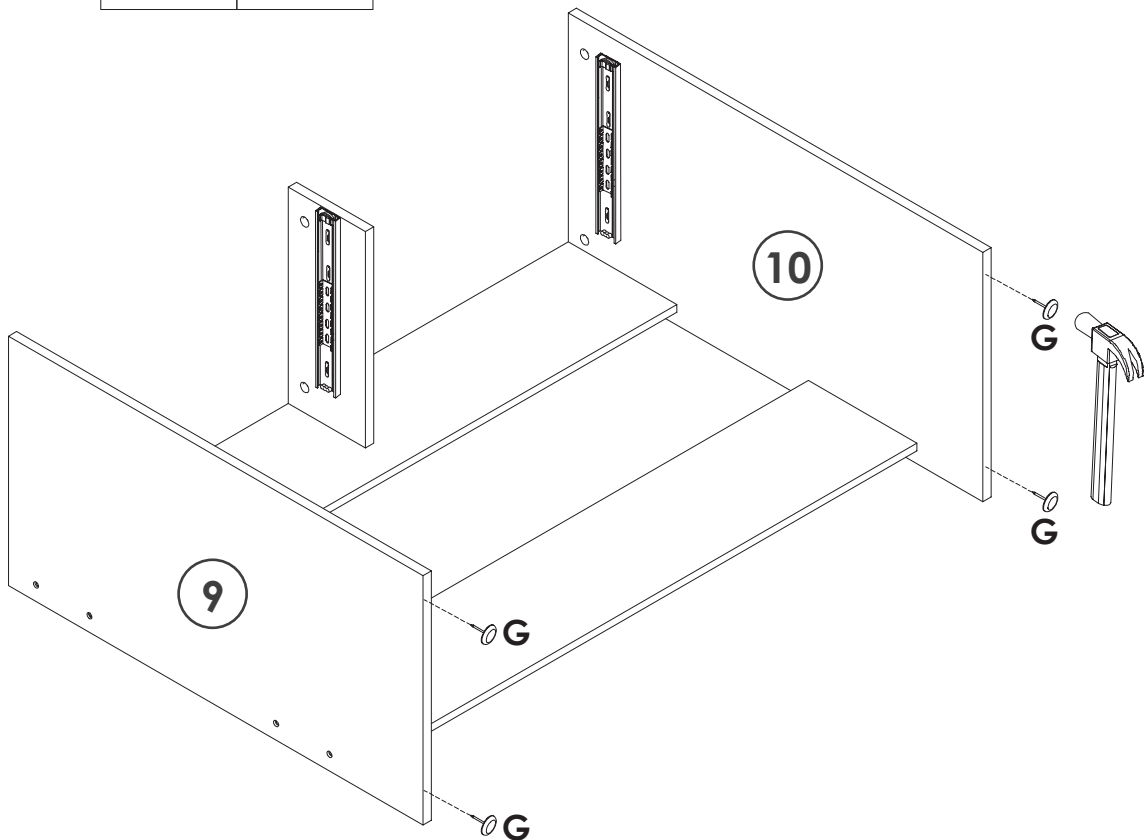
F x4



6

YOU WILL NEED

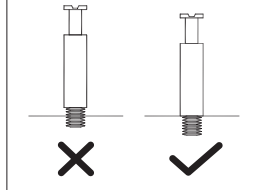
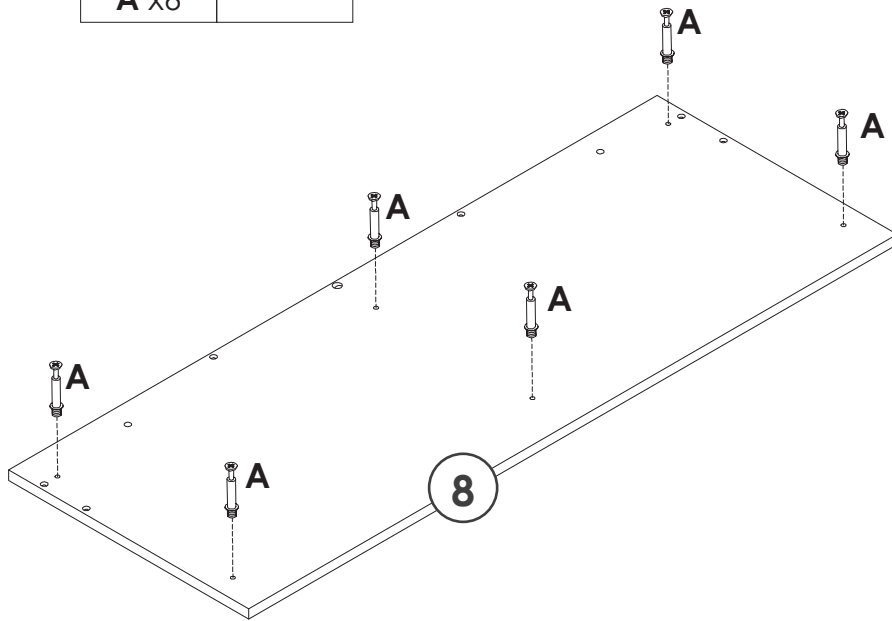
G x4



7

YOU WILL NEED

A x6

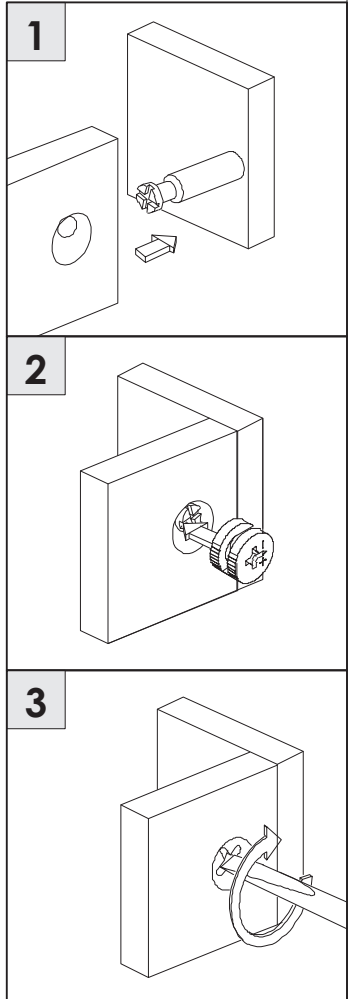
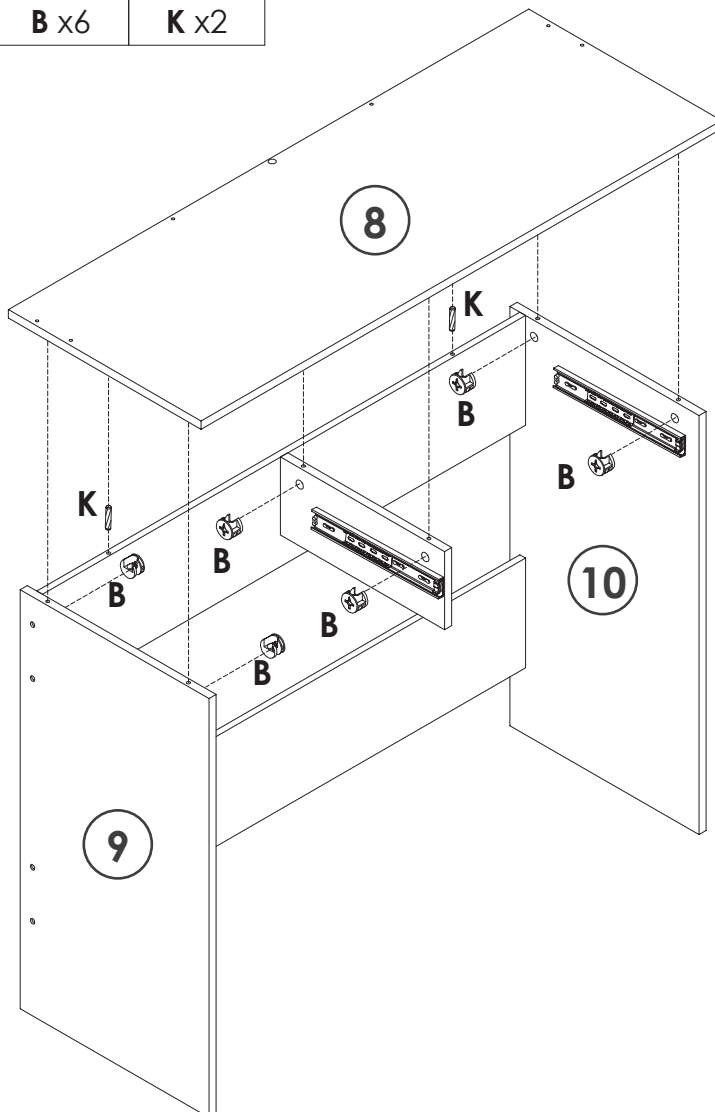


8

YOU WILL NEED

B x6

K x2



9

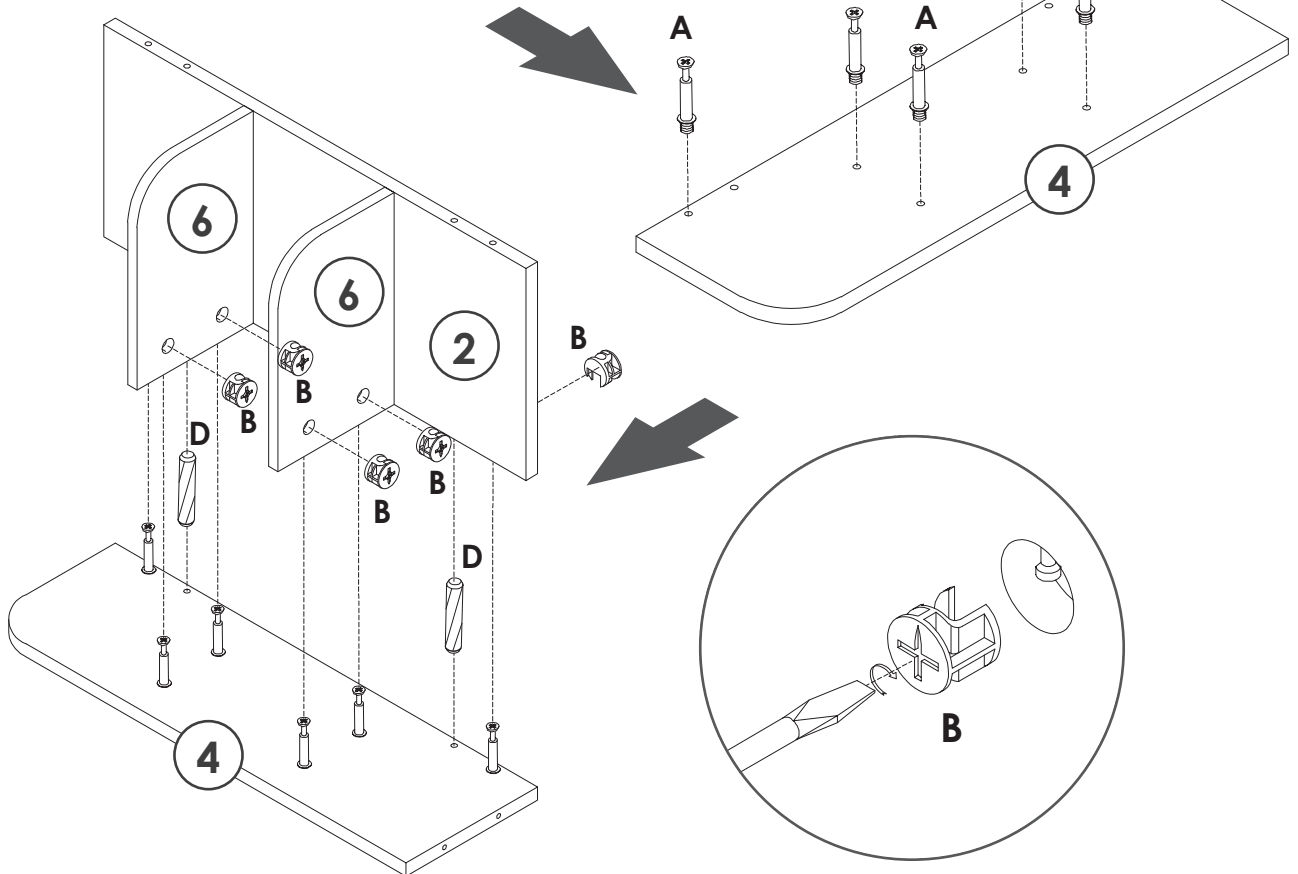
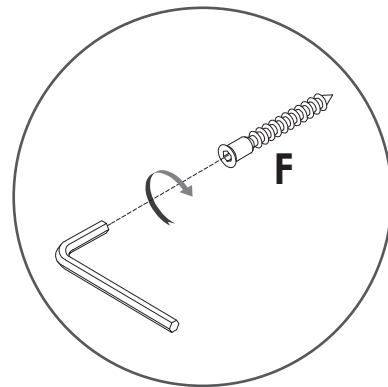
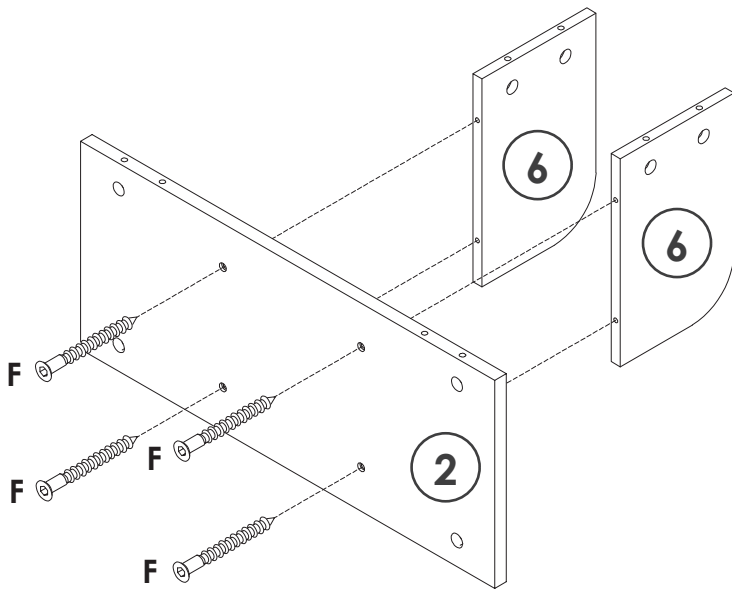
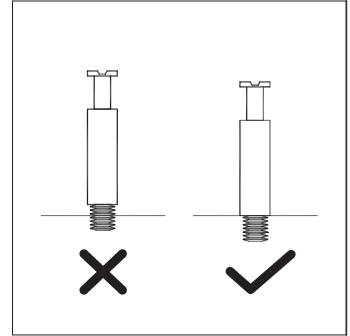
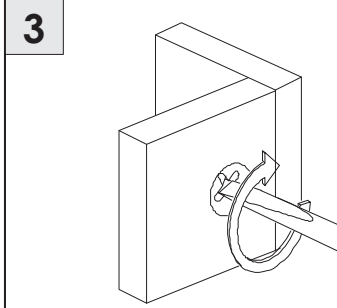
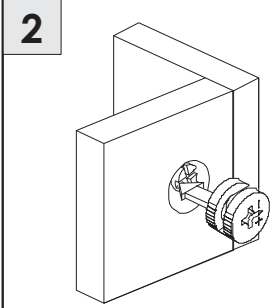
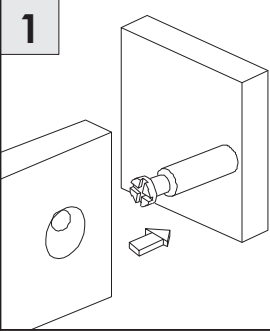
YOU WILL NEED

A x6

B x6

D x2

F x4



10

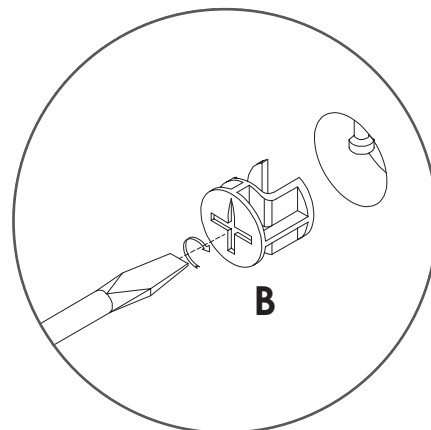
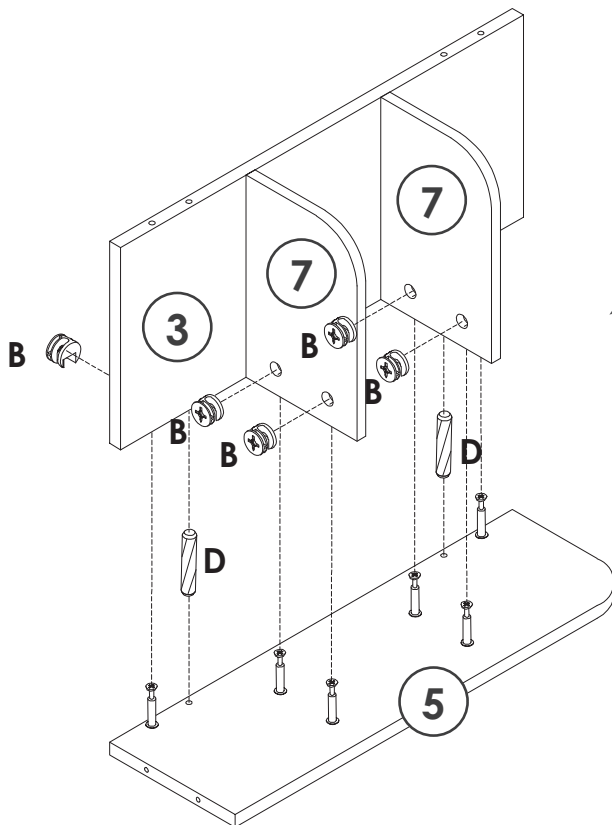
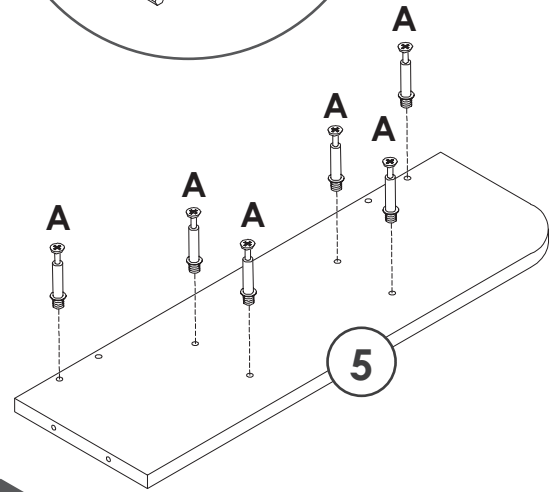
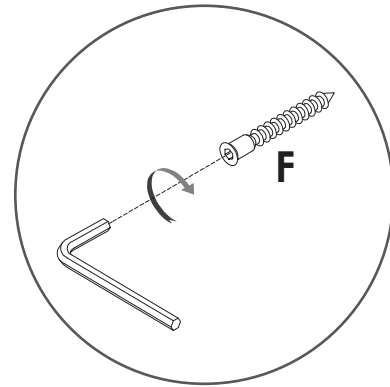
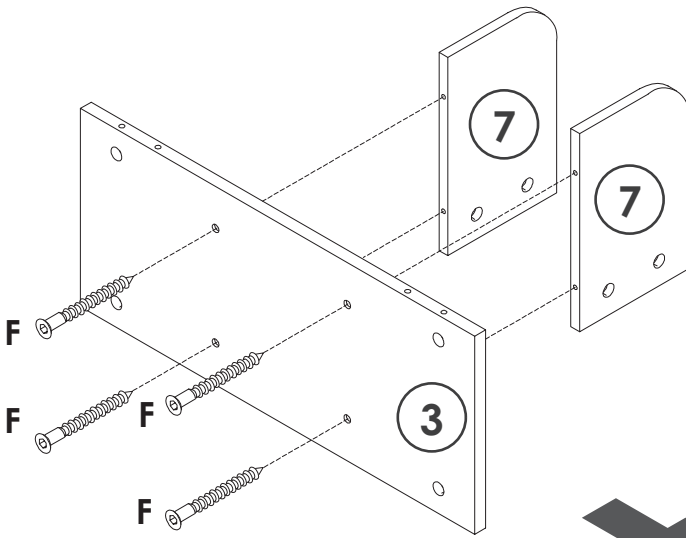
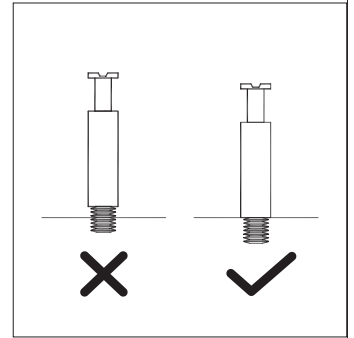
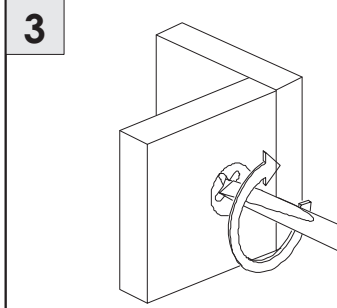
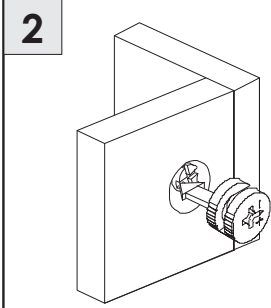
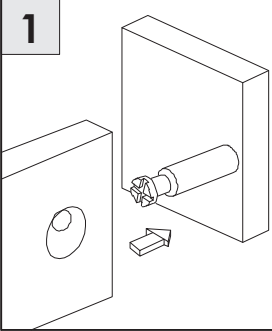
YOU WILL NEED

A x6

B x6

D x2

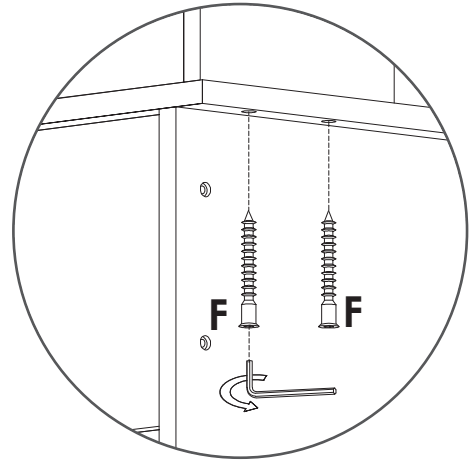
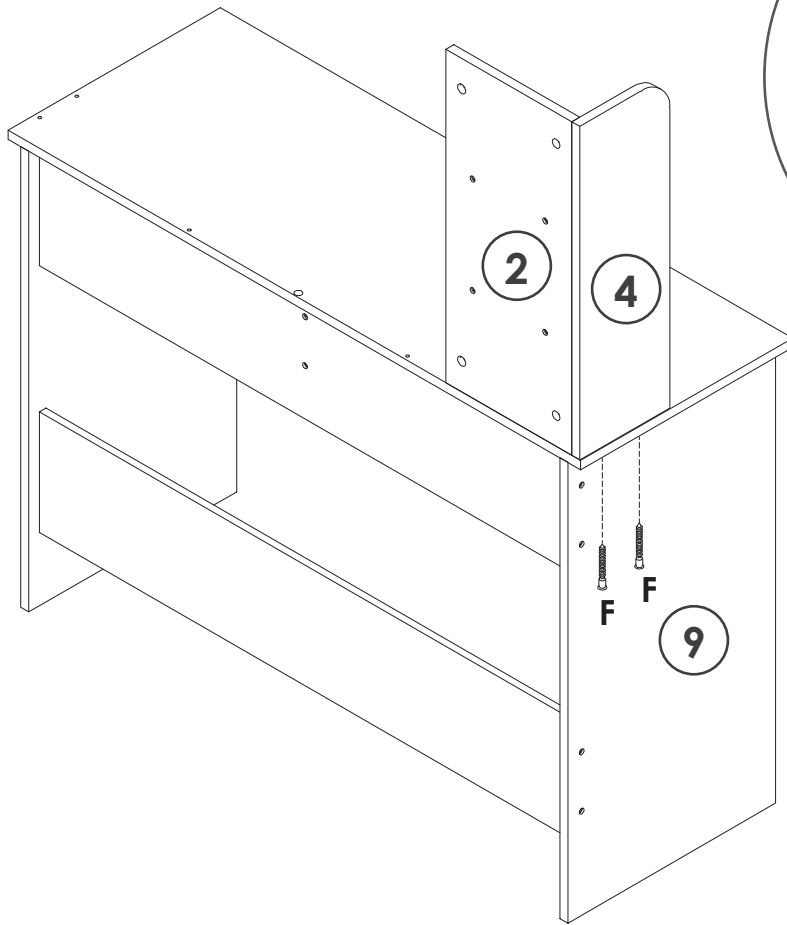
F x4



11

YOU WILL NEED

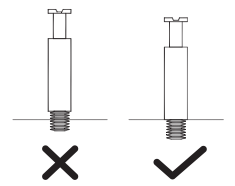
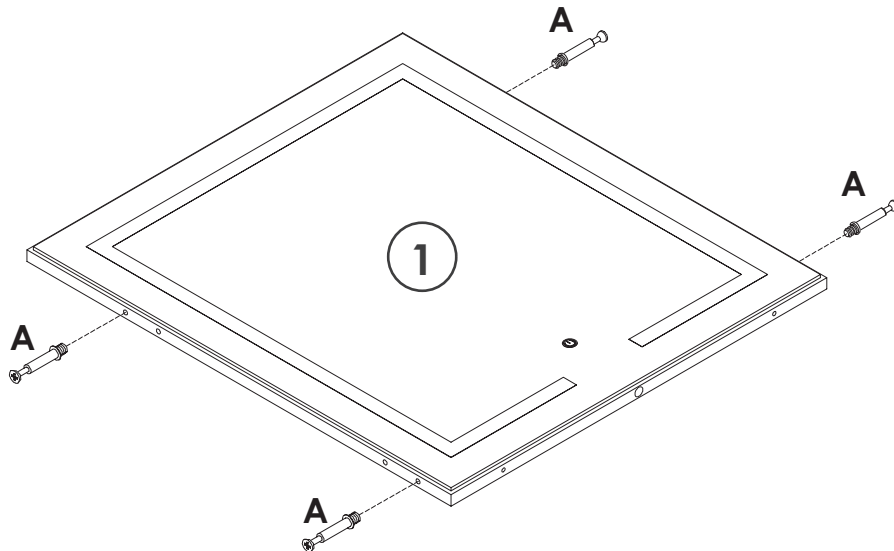
F x2



12

YOU WILL NEED

A x4



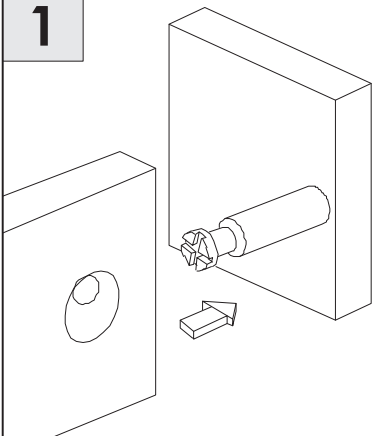
13

YOU WILL NEED

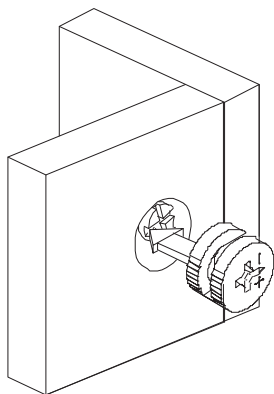
B x2

D x2

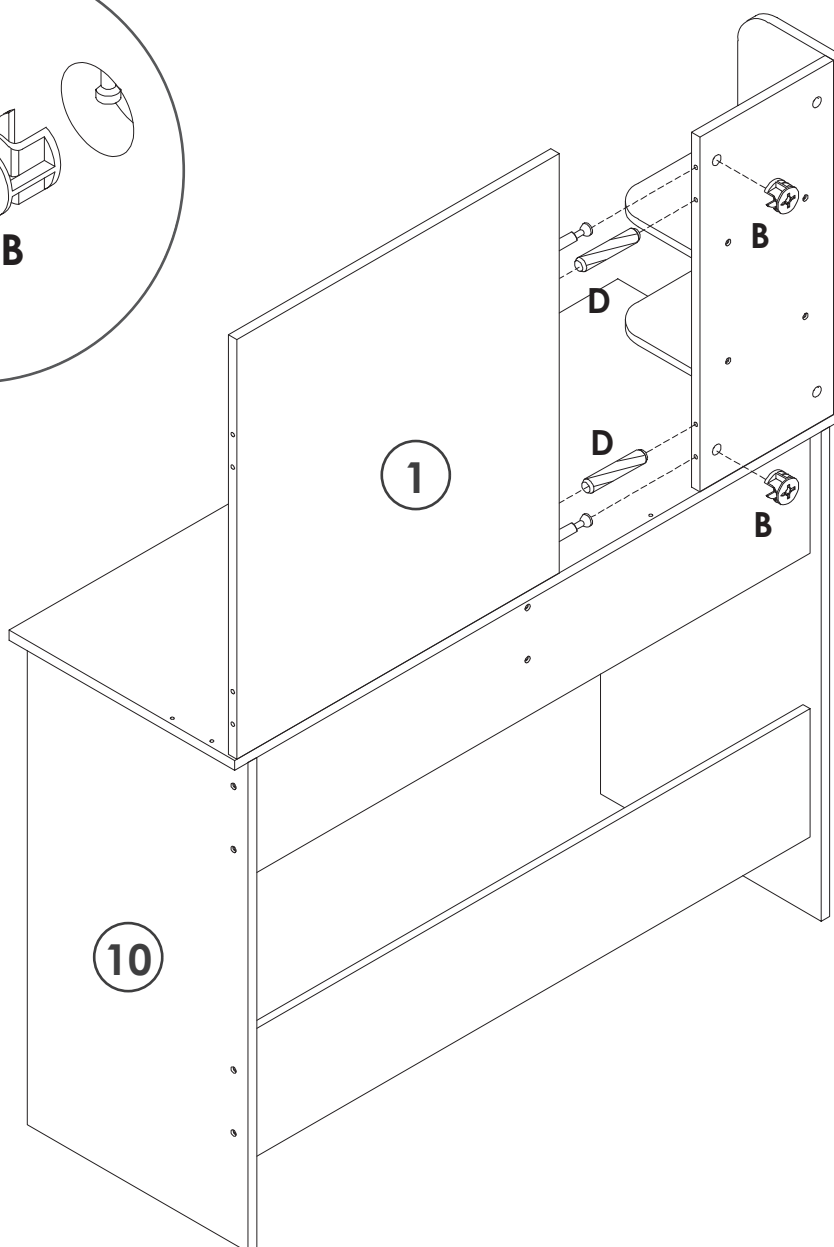
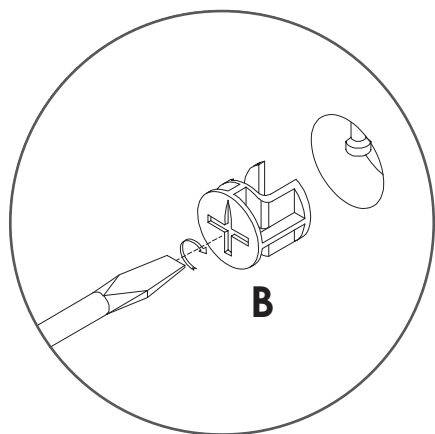
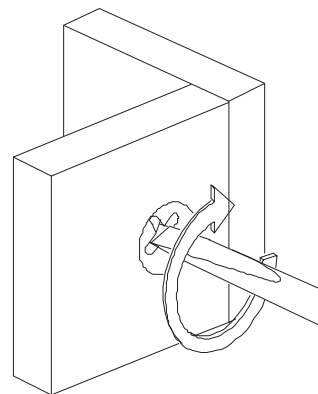
1



2



3

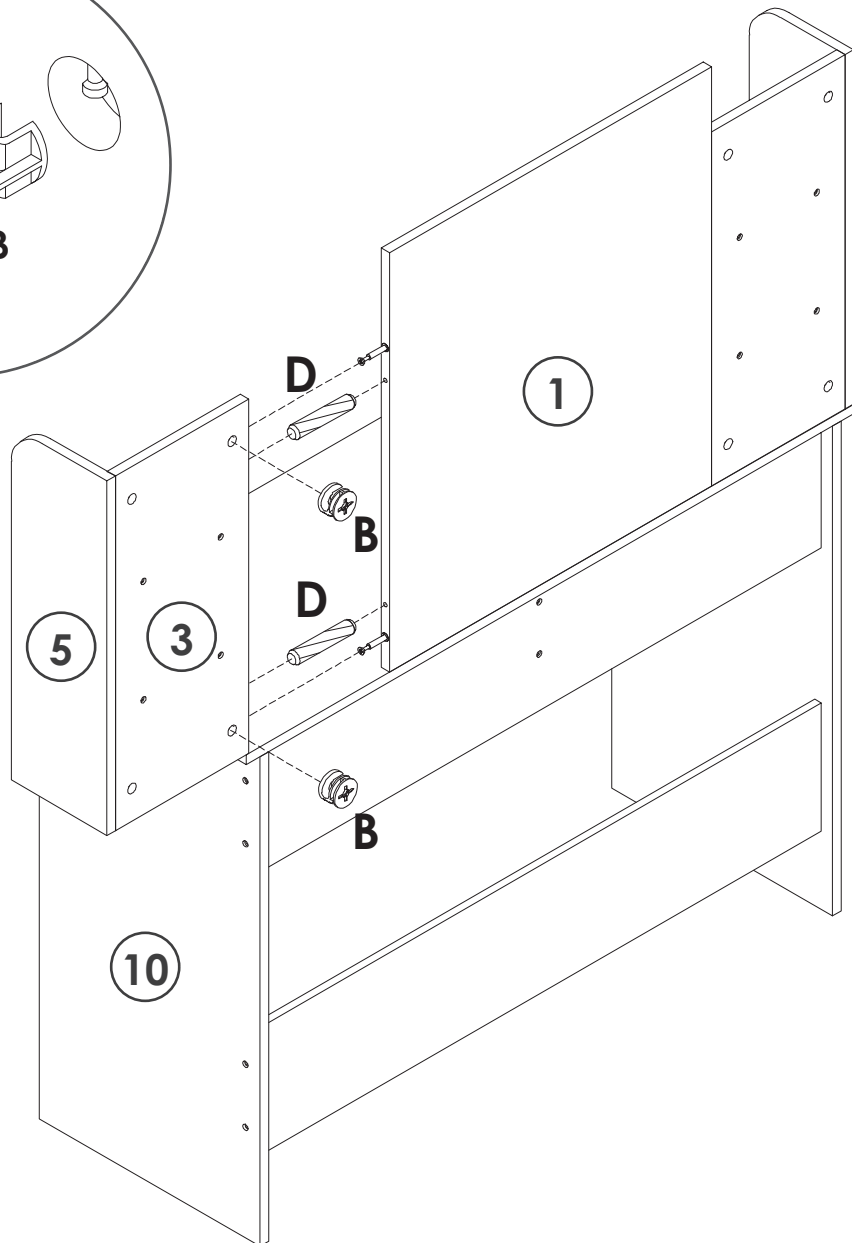
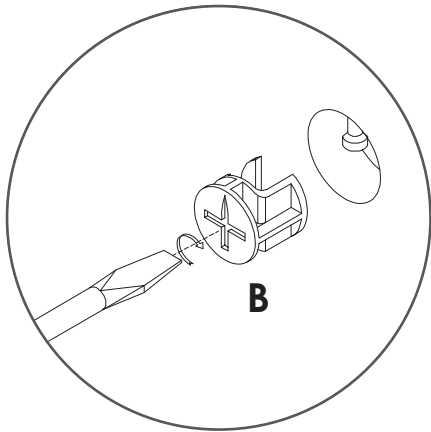
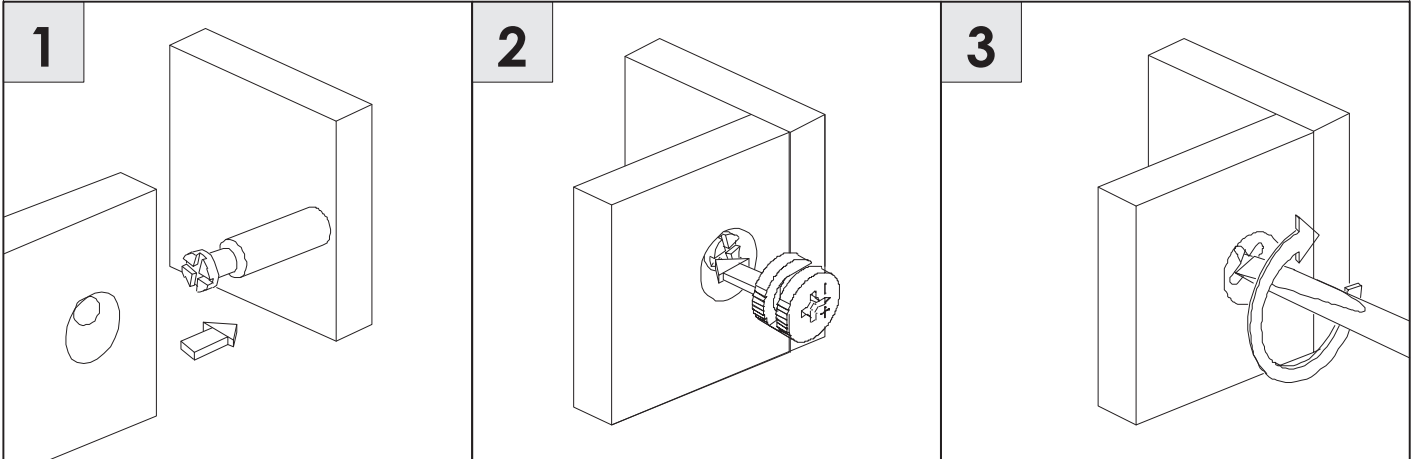


14

YOU WILL NEED

B x2

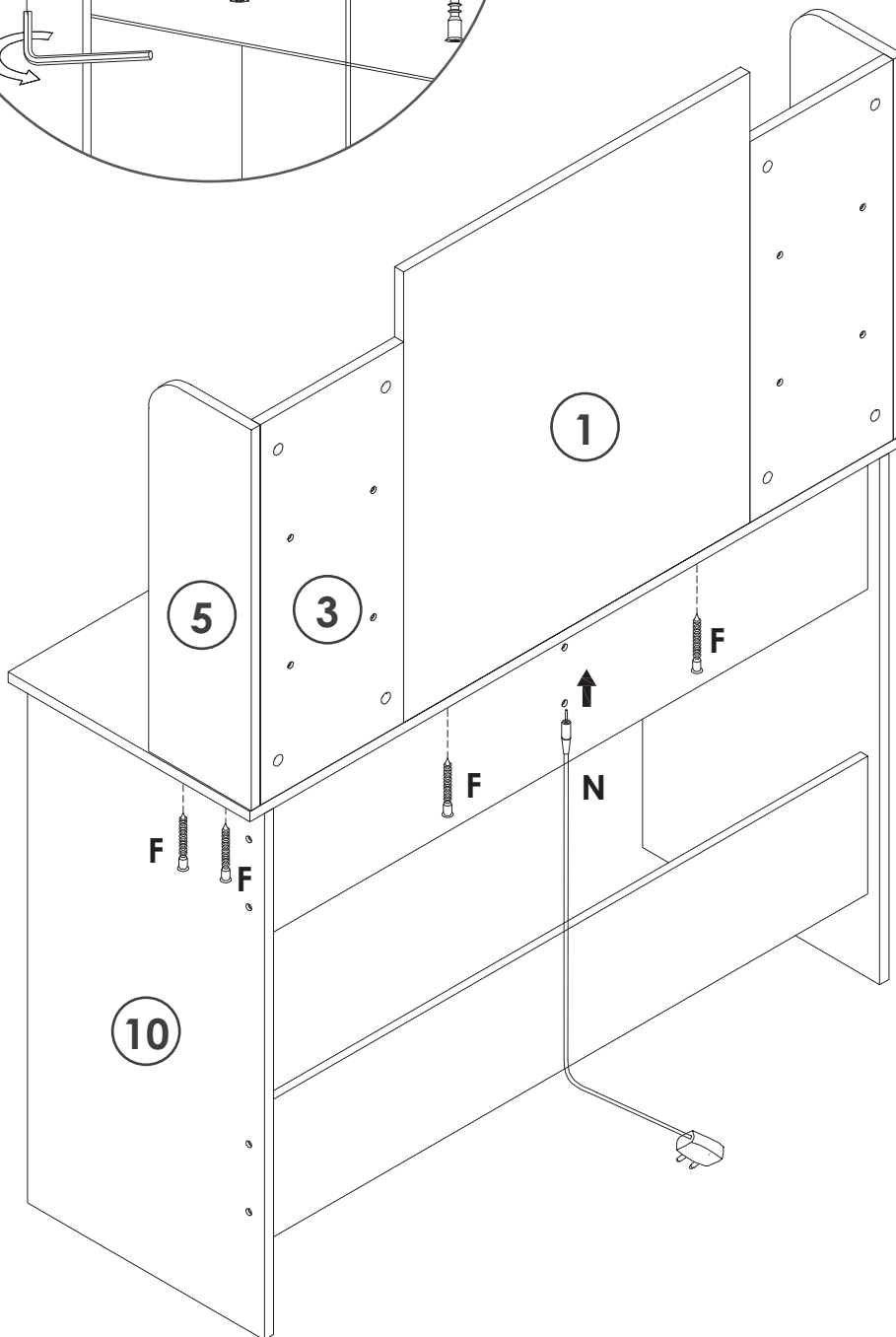
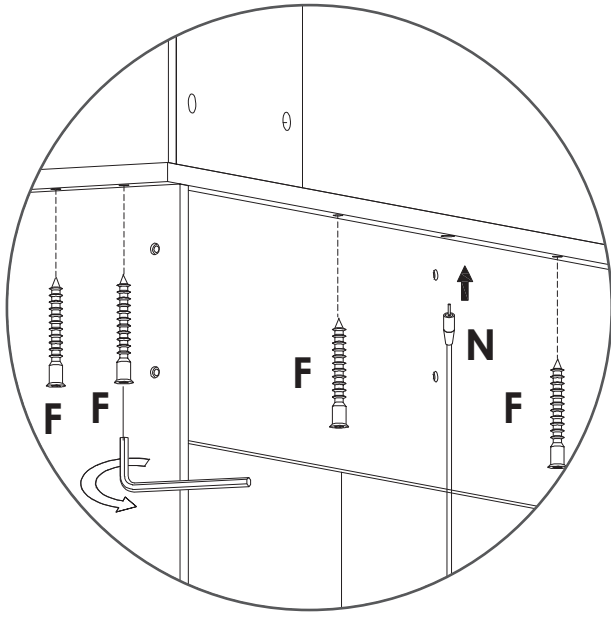
D x2



YOU WILL NEED

F x4

N x1



YOU WILL NEED

A x4

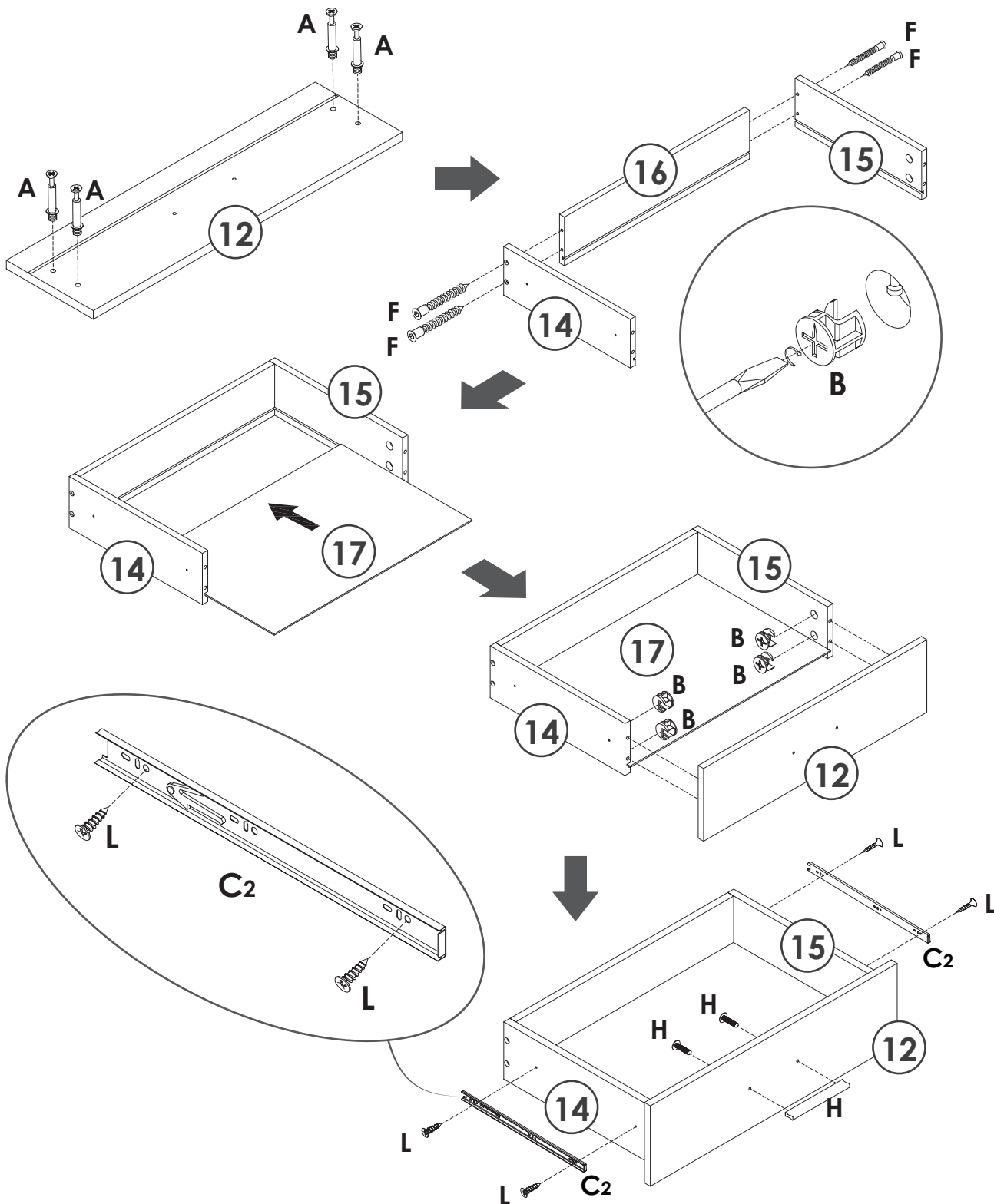
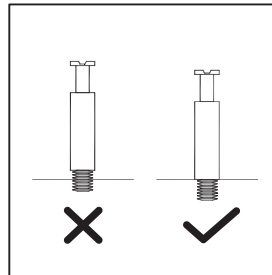
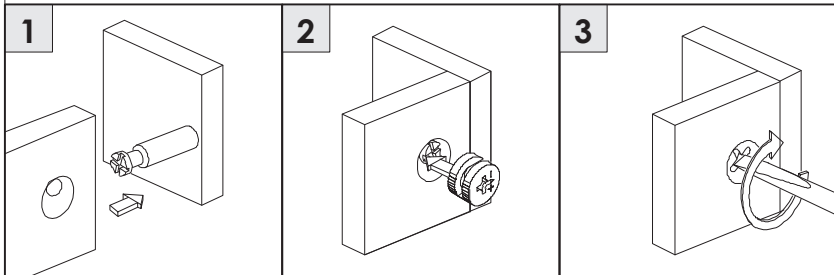
B x4

C2 x2

F x4

H x1

L x4



YOU WILL NEED

A x4

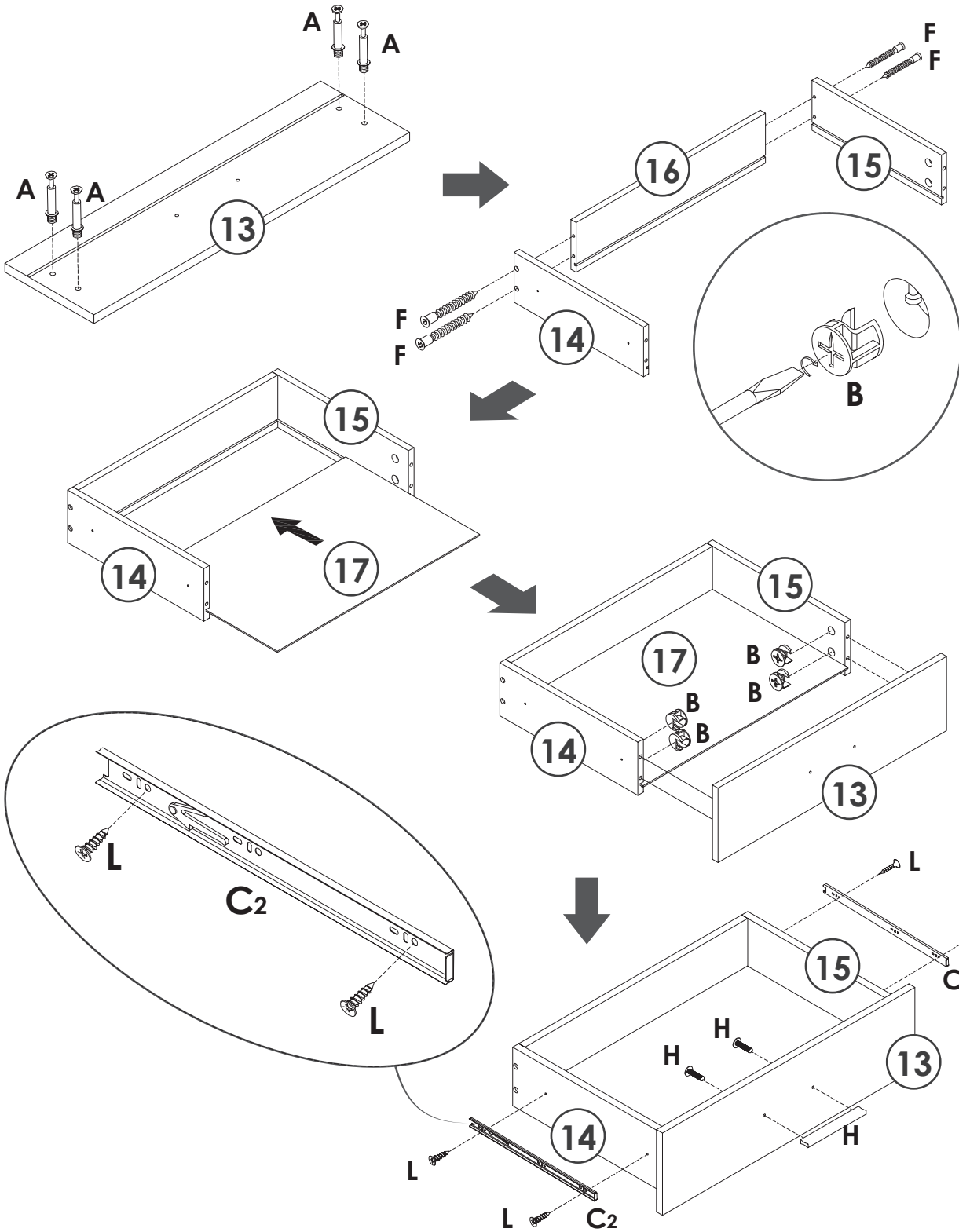
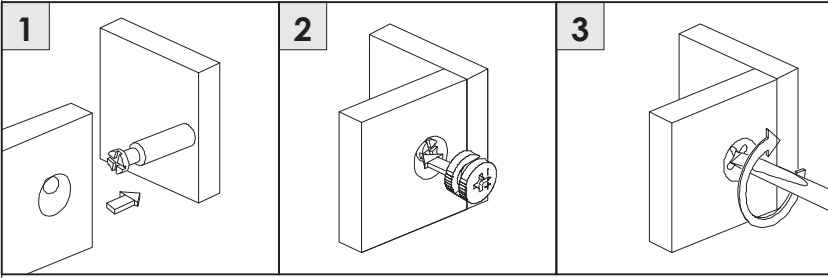
B x4

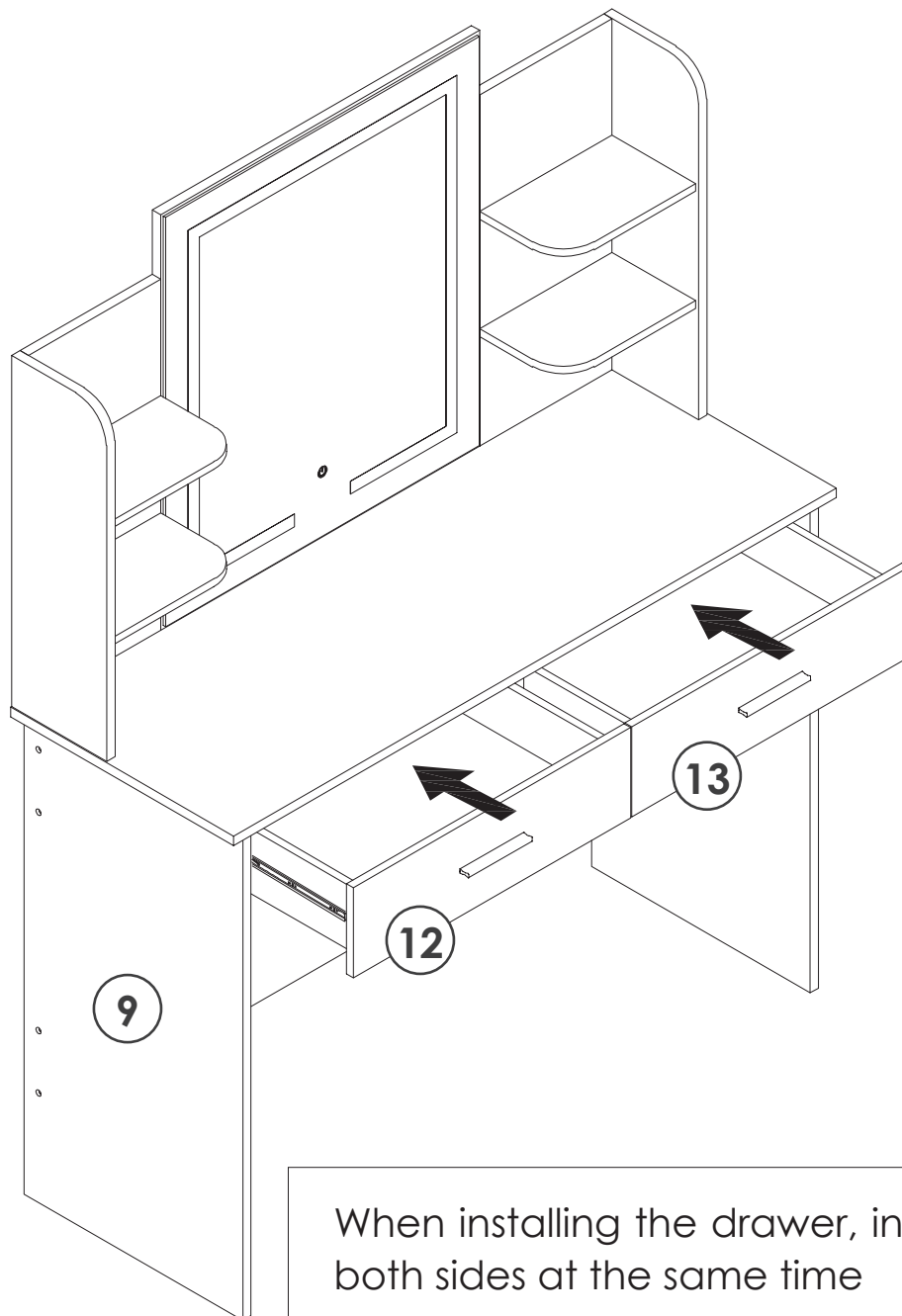
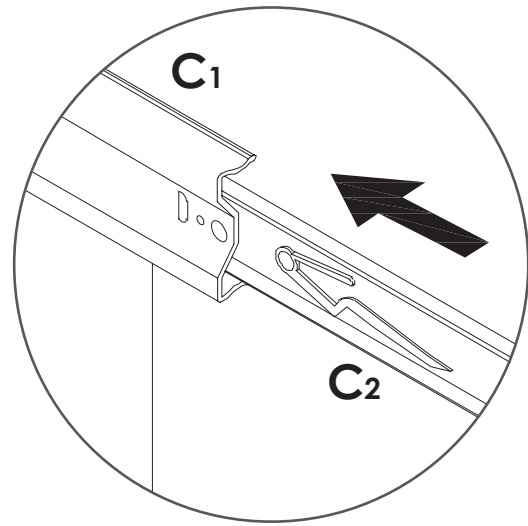
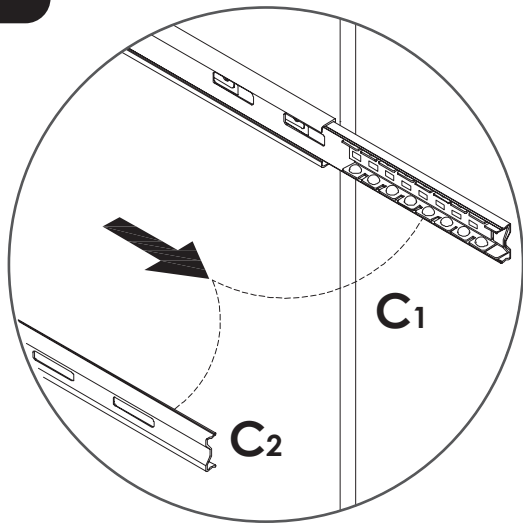
C2 x2

F x4

H x1

L x4



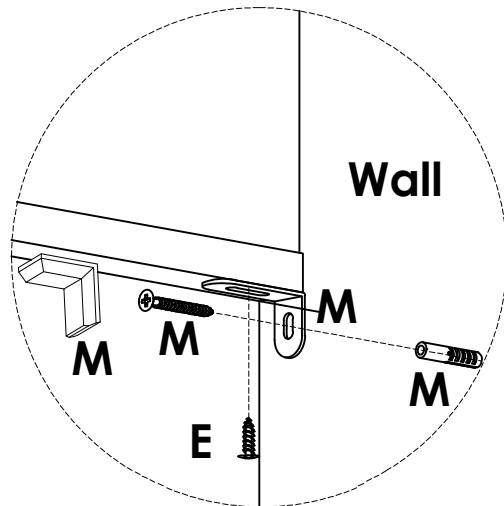
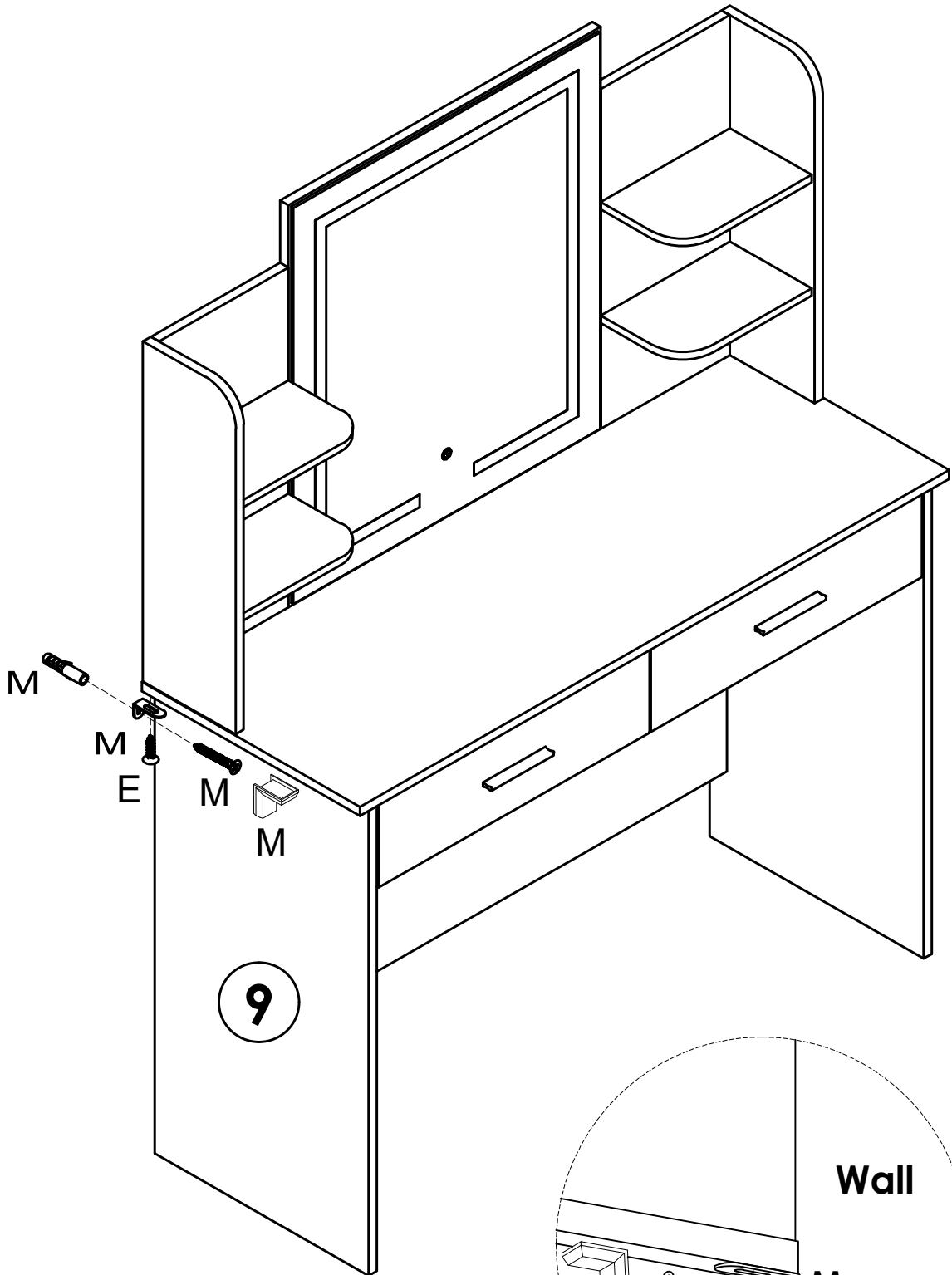


When installing the drawer, install both sides at the same time

YOU WILL NEED

M x2

E x2



x2

20

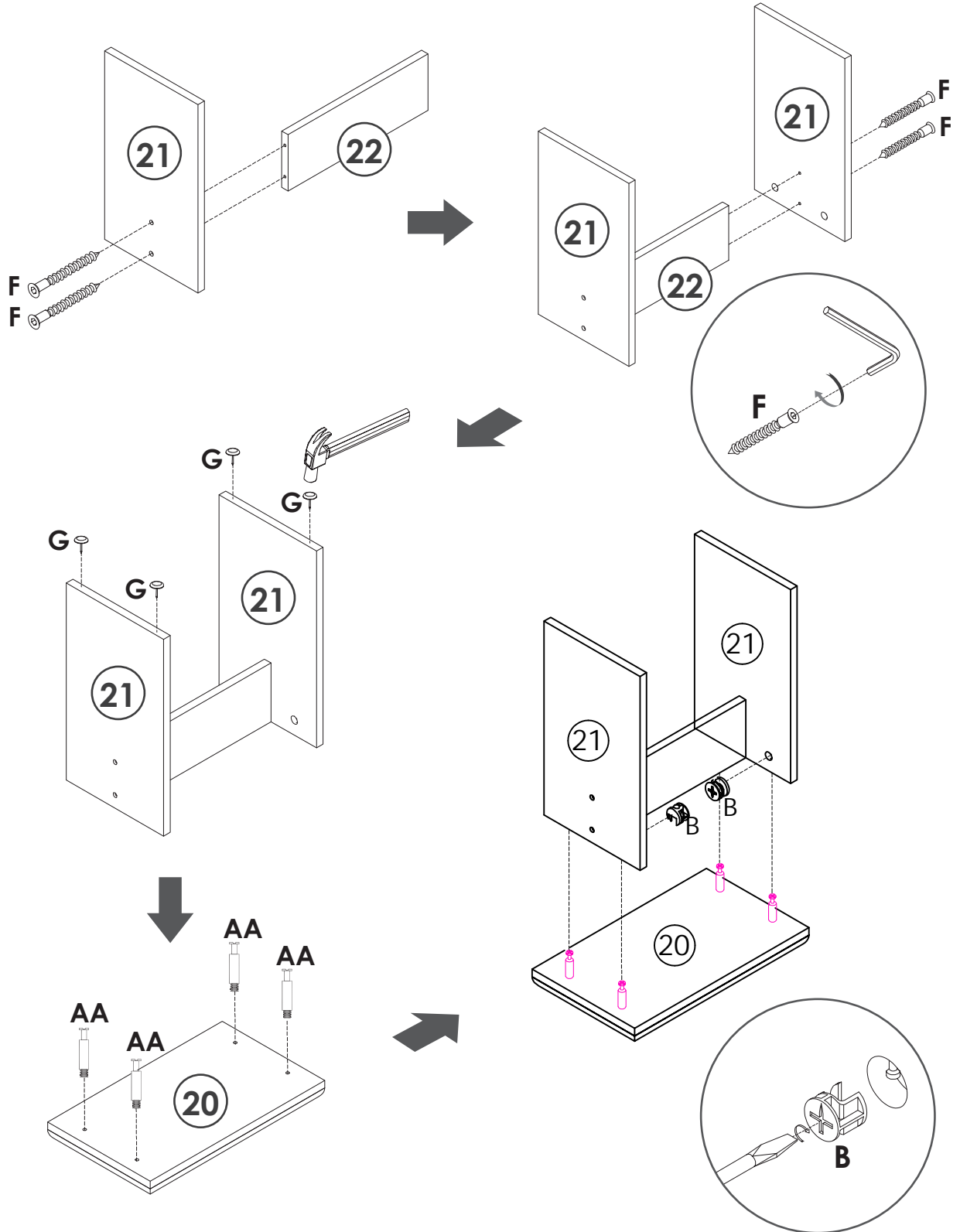
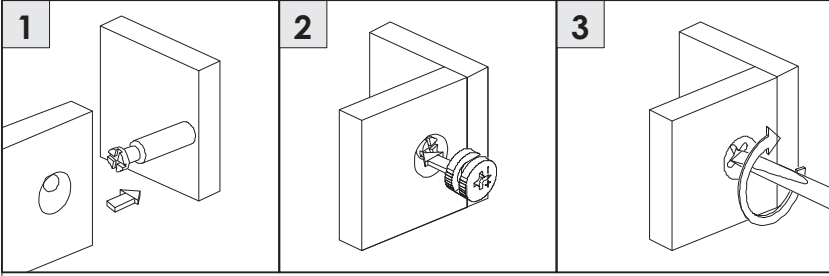
YOU WILL NEED

AA x4

B x4

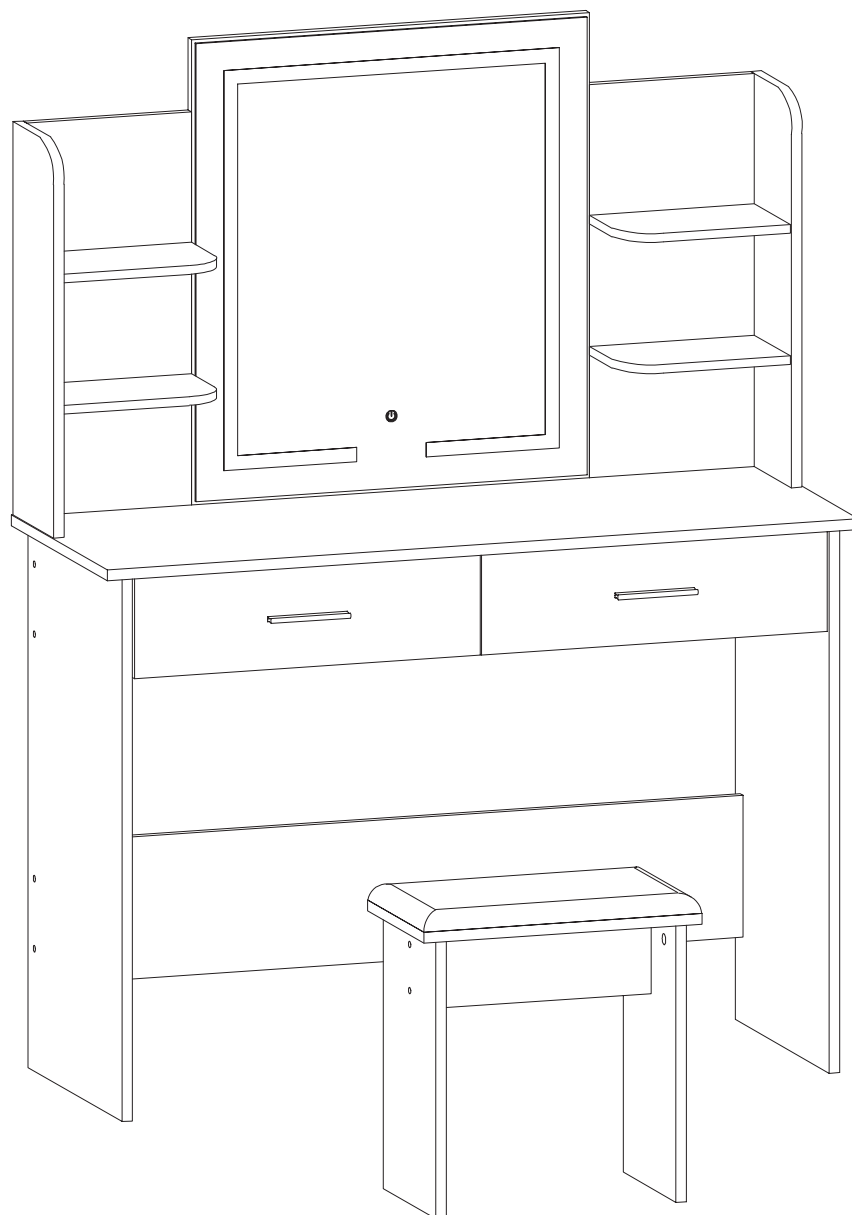
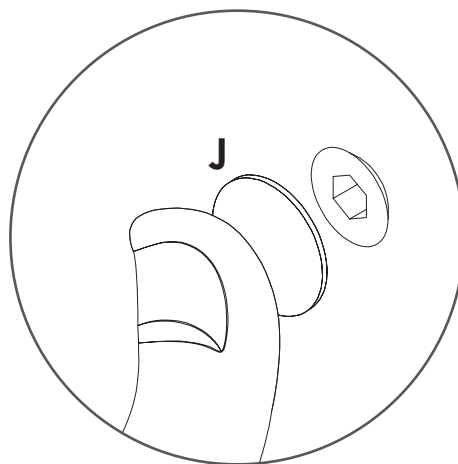
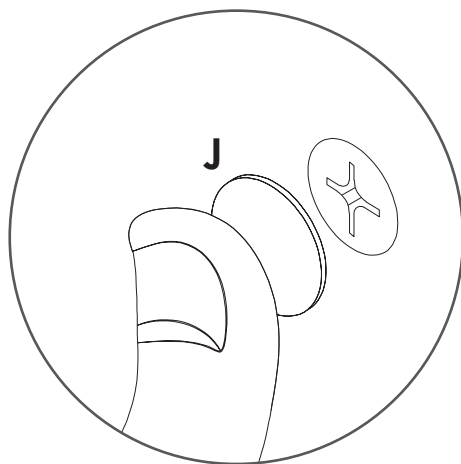
F x4

G x4



## YOU WILL NEED

J x32



Add **J** fittings to all exposed holes on the front of the product

**Model: JY-0830**

**Made in Vietnam**

