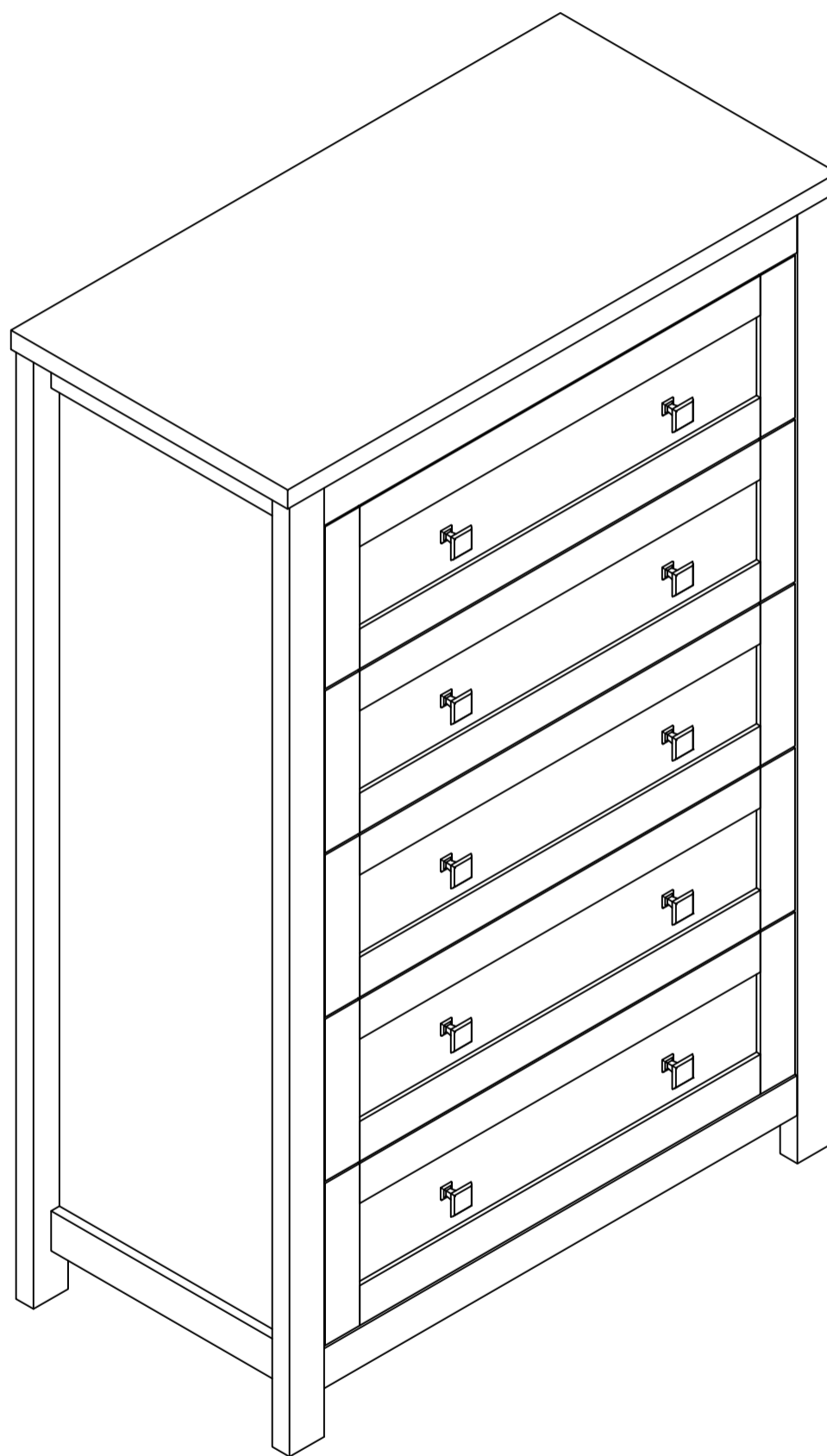


# Cabinet

Assembly Instructions - Please keep for future reference



## Dimensions

Width - 31.2inch  
Depth - 15.7inch  
Height - 47.9inch

Important – Please read these instructions fully before starting assembly

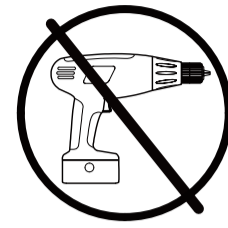


# Safety and Care Advice

**Important – Please read these instructions fully before starting assembly**

- Check you have all the components and tools listed on the following pages.
- Remove all fittings from the plastic bags and separate them into their groups.
- Keep children and animals away from the work area, small parts could choke if swallowed.
- Make sure you have enough space to layout the parts before starting.

- During assembly do not stand or put weight on the product, this could cause damage.
- Assemble the item as close to its final position (in the same room) as possible.
- Assemble on a soft level surface to avoid damaging the unit or your floor.
- Parts of the assembly will be easier with 2 people.



power drill is set on a low torque setting.

- To reduce the likelihood of damaging your product please ensure that your

## Care and maintenance

- Only clean using a damp cloth and mild detergent, do not use bleach or abrasive cleaners.

- From time to time check that there are no loose screws on this unit.

- This product should not be discarded with household waste. Take to your local authority waste disposal centre.

## Handy Hints

- Assemble all parts and bolts loosely during assembly, only once the product is complete should you fully tighten the bolts

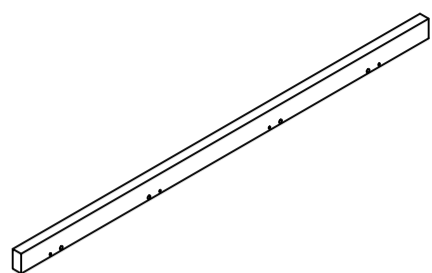
- Regularly check and ensure That all bolts and fittings are tightend properly.

**⚠ WARNING**

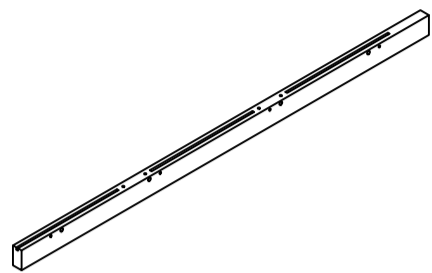
	<p><b>Children have died from furniture tipover. To reduce the risk of furniture tipover:</b></p> <ul style="list-style-type: none"> <li>• ALWAYS install tipover restraint provided.</li> <li>• NEVER put a TV on this product.</li> <li>• NEVER allow children to stand, climb or hang on drawers, doors, or shelves.</li> <li>• NEVER open more than one drawer at a time.</li> <li>• Place heaviest items in the lowest drawers.</li> </ul>
	<p style="text-align: right;"><i>This is a permanent label. Do not remove!</i></p>

# Components - Panels

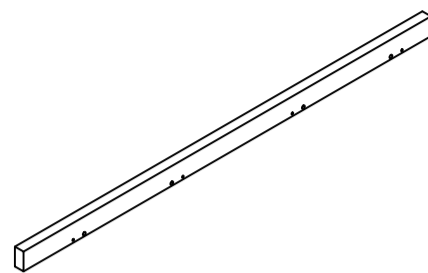
Please check you have all the panels listed below



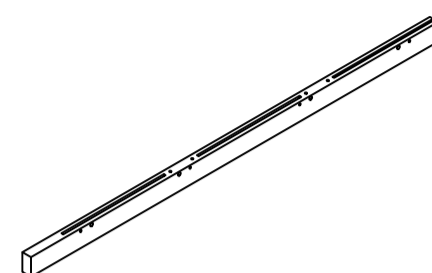
1 (1190X50X25mm)X1



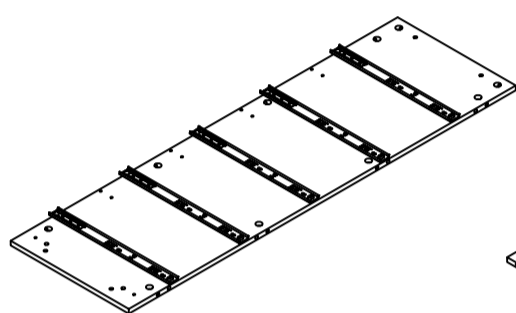
2 (1190X50X25mm)X1



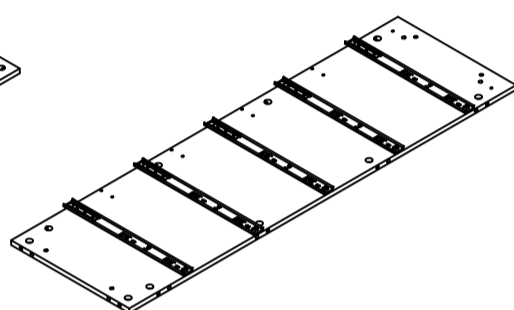
3 (1190X50X25mm)X1



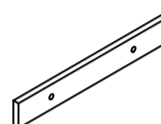
4 (1190X50X25mm)X1



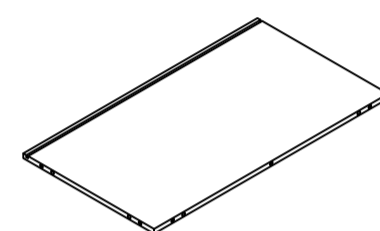
5(1130X345X12mm)X1



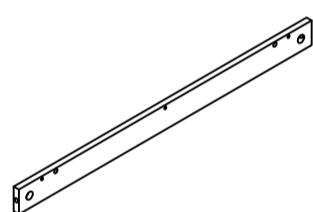
6 (1130X345X12mm)X1



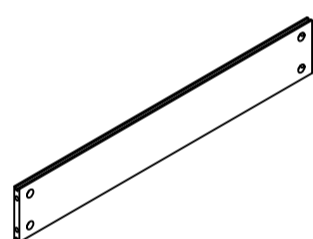
7 (345\*50X12mm)X4



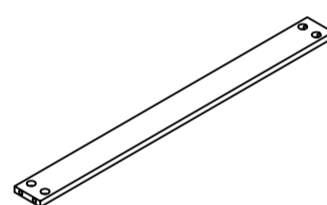
8 (684\*382X12mm)X1



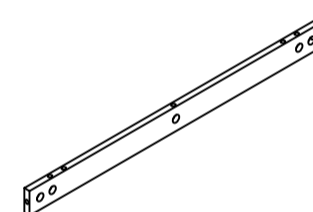
9 (684X50X12mm)X1



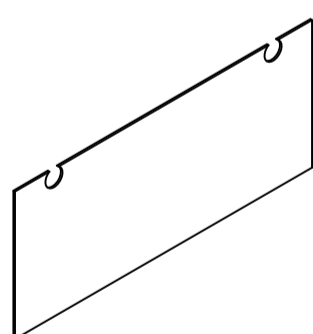
10 (684X107X12mm)X2



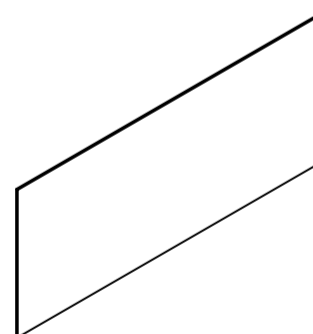
11 (684X60X12mm)X4



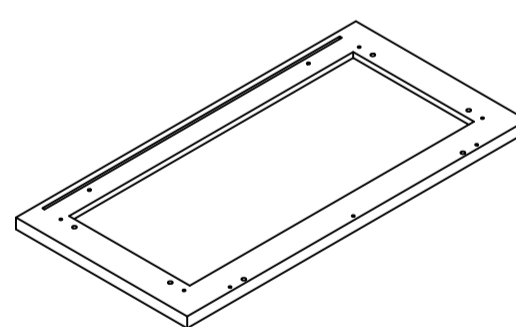
12 (684X50X12mm)X1



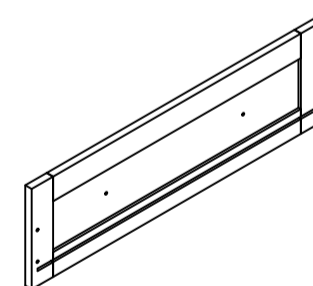
13 (694X298.5X2.7mm)X1



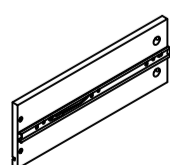
14 (694X298.5X2.7mm)X2



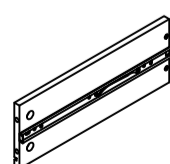
15 (794X400X24mm)X1



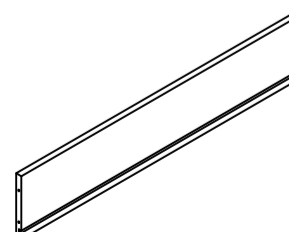
16 (679X207X15mm)X5



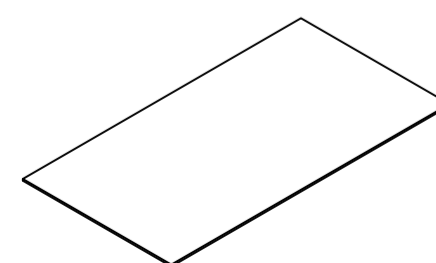
17 (350X128X12mm)X5



18 (350X128X12mm)X5



19 (640X128X12mm)X5



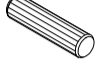
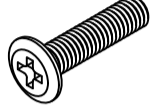
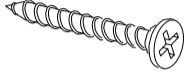


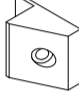
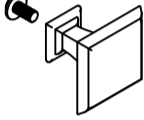
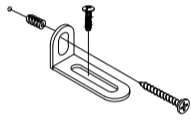


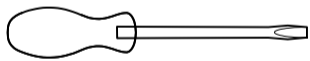
20 (650X347\*2.7mm)X5

# Components - Fittings

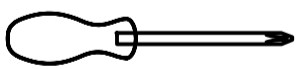
Please check you have all the panels listed below

**Note:** The quantities below are the correct amount to complete the assembly. In some cases more fittings may be supplied than are required.

<b>A</b>  Male Camlock x 78	<b>B</b>  Female Camlock x78	<b>C</b>  Dowel x 28
<b>D</b>  6*16mm Screw x 8	<b>E</b>  4*30mm Screw x 20	<b>F</b>  Protective Feet x 4
<b>G</b>  3*17mm Screw x 12	<b>H</b>  Plasticwedge x 12	<b>I</b>  Handle & Fixings x 10
<b>J</b>  Wall Fixing Pack x 2		

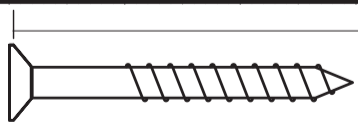
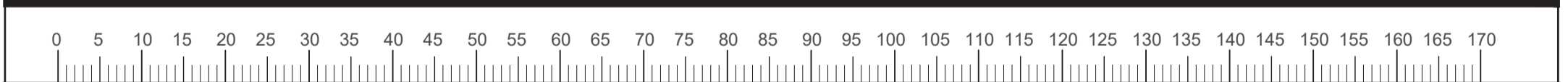


## Tools required



Phillips screwdriver  
(medium & large)

## Ruler - Use this ruler to help correctly identify the screws



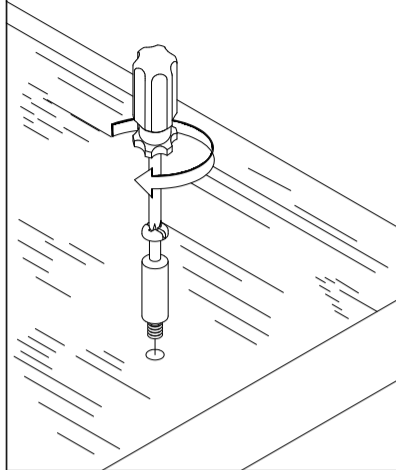
The screws length is measured from the head to the point (30mm screw shown).

# Using Camlocks

Connect the male camlock as directed in the assembly instructions using a screwdriver.

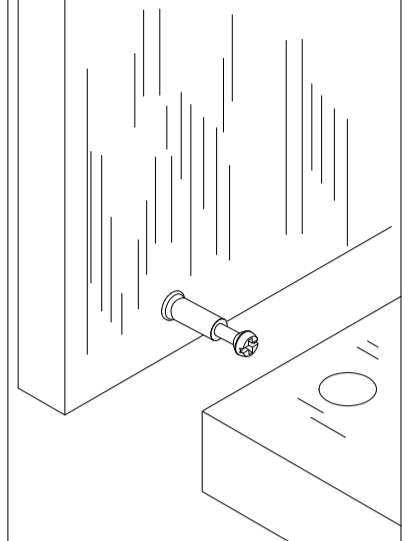
1

DO NOT OVER TIGHTEN.  
NE PAS SERRER EXCESSIVEMENT.



Push the male camlock into the entry hole.

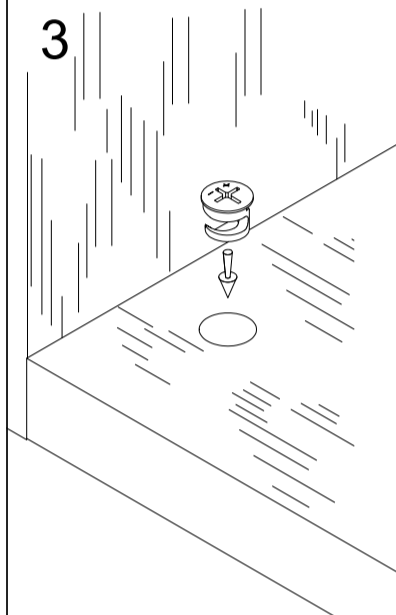
2



Insert the female camlock as shown in the instruction.

Note: ensure that the arrow on the top of the camlock points towards the entry hole for the male camlock.

3

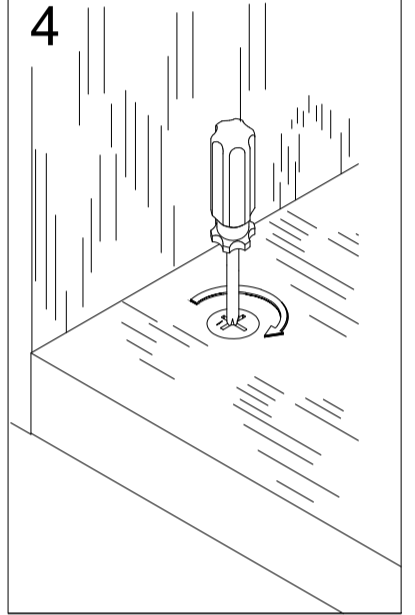


Turn the female camlock clockwise with a screwdriver.

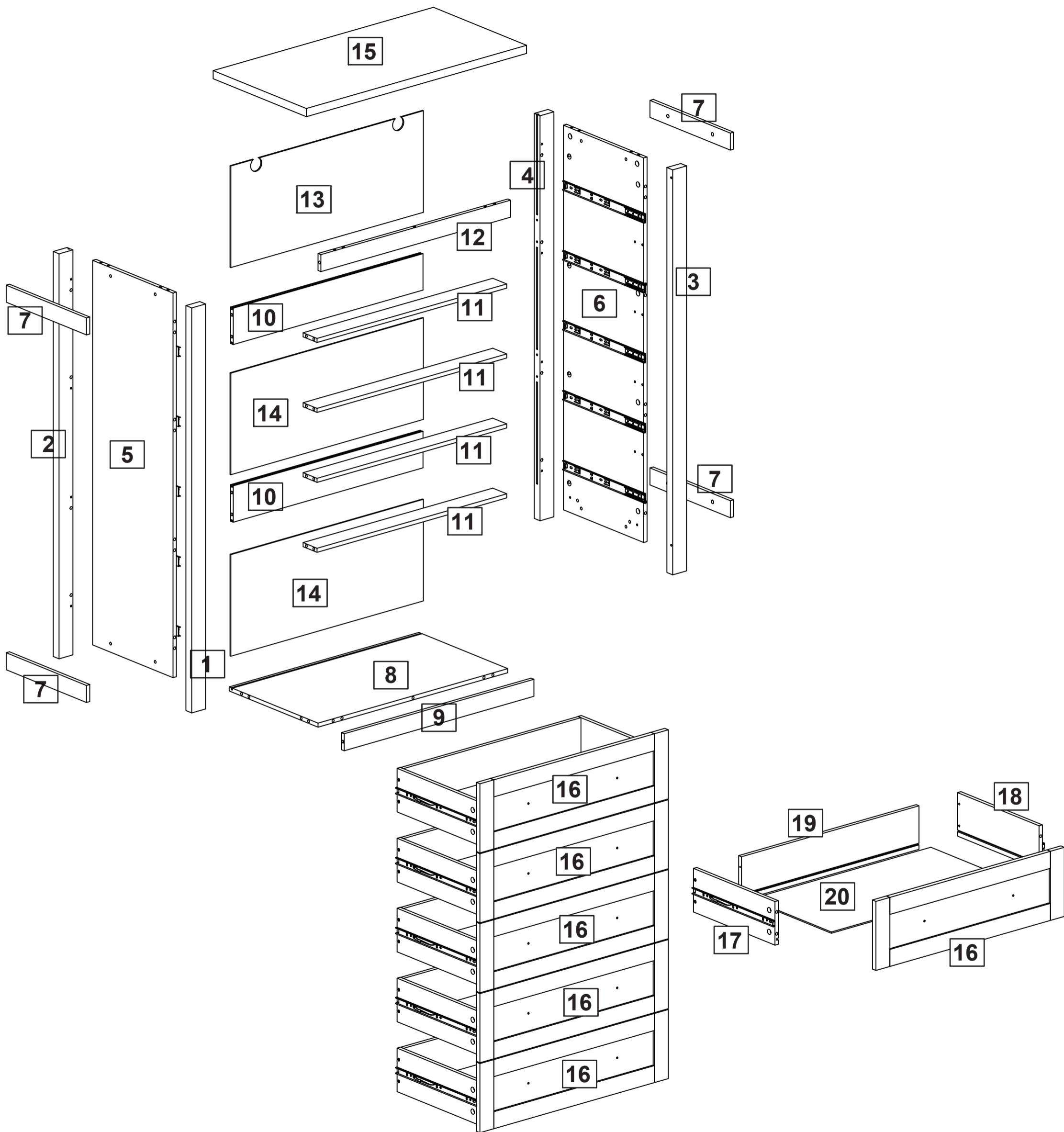
You should feel a click when the camlock is locked in place.

The joint is now secure.

4

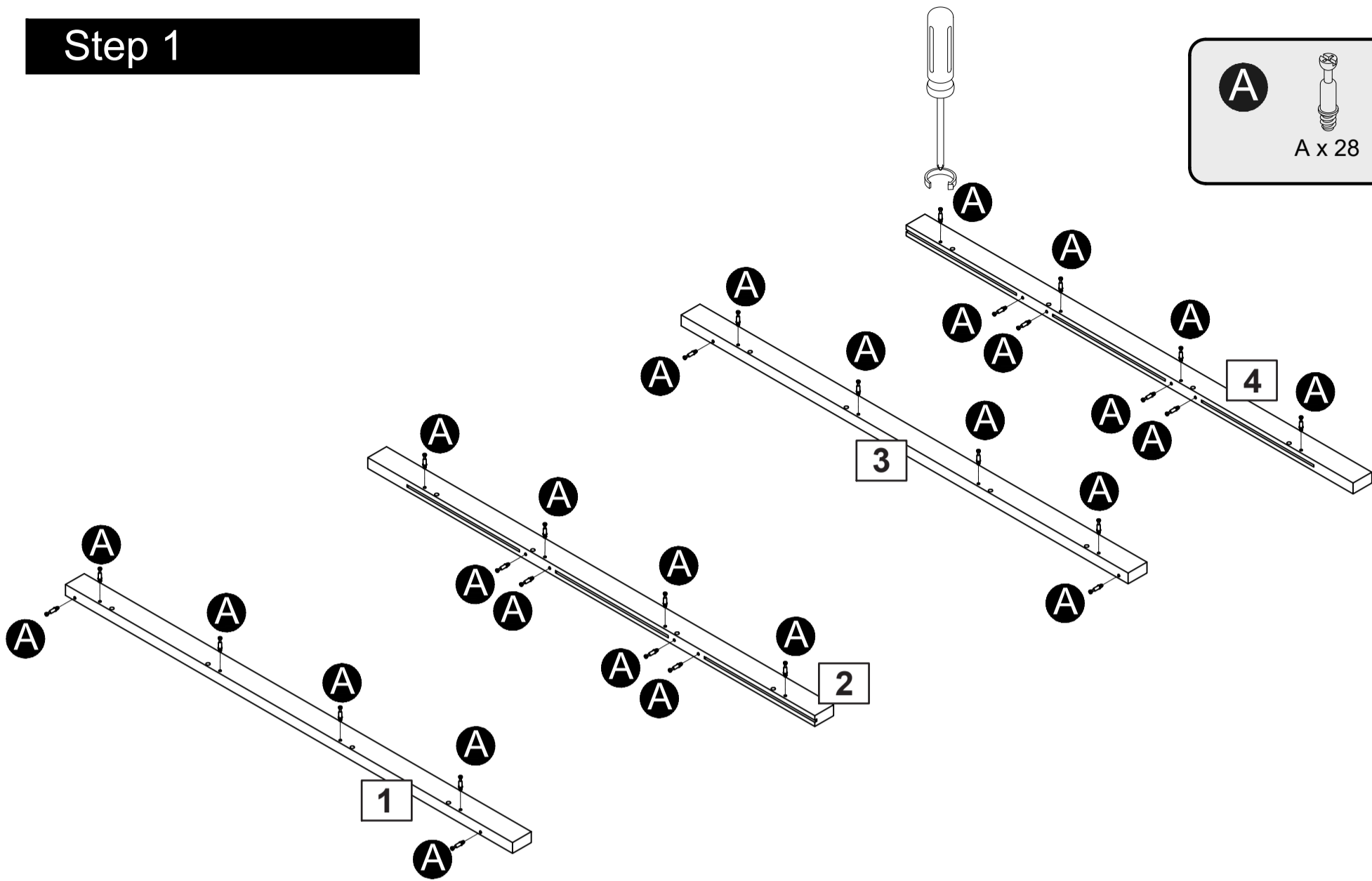


# Assembly Instructions



# Assembly Instructions

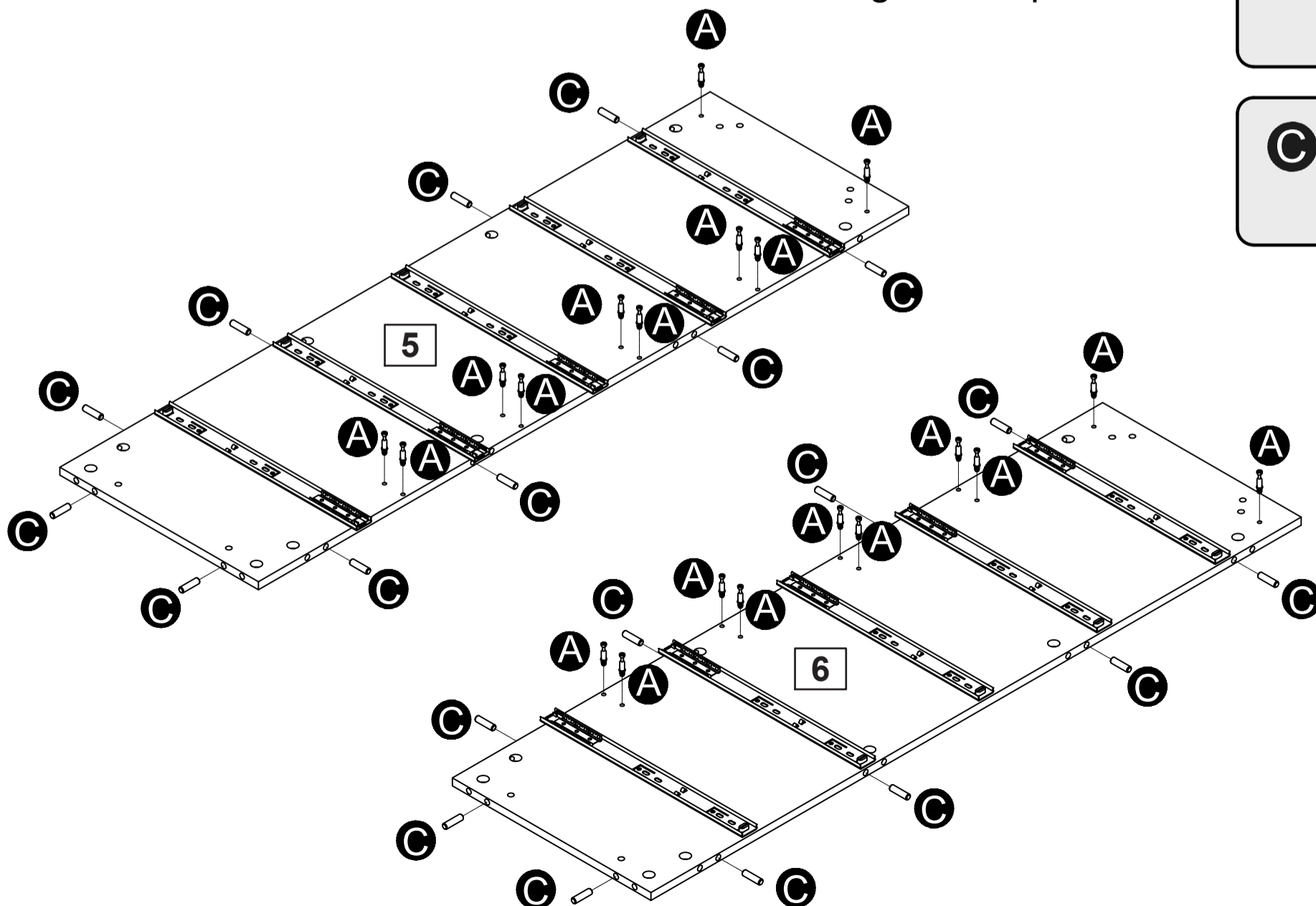
## Step 1



## Step 2

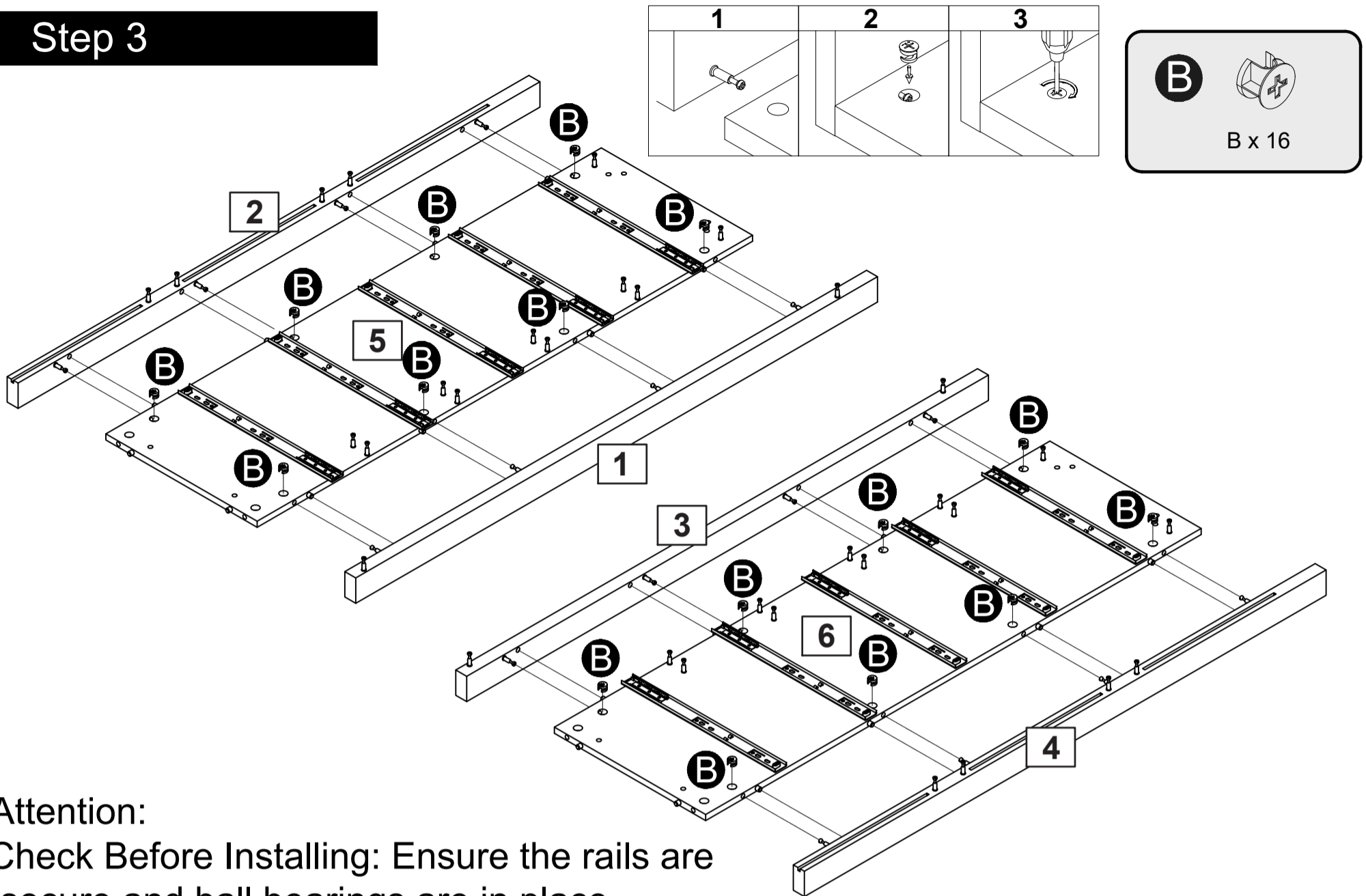
Attention:

Check Before Installing: Ensure the rails are secure and ball bearings are in place.



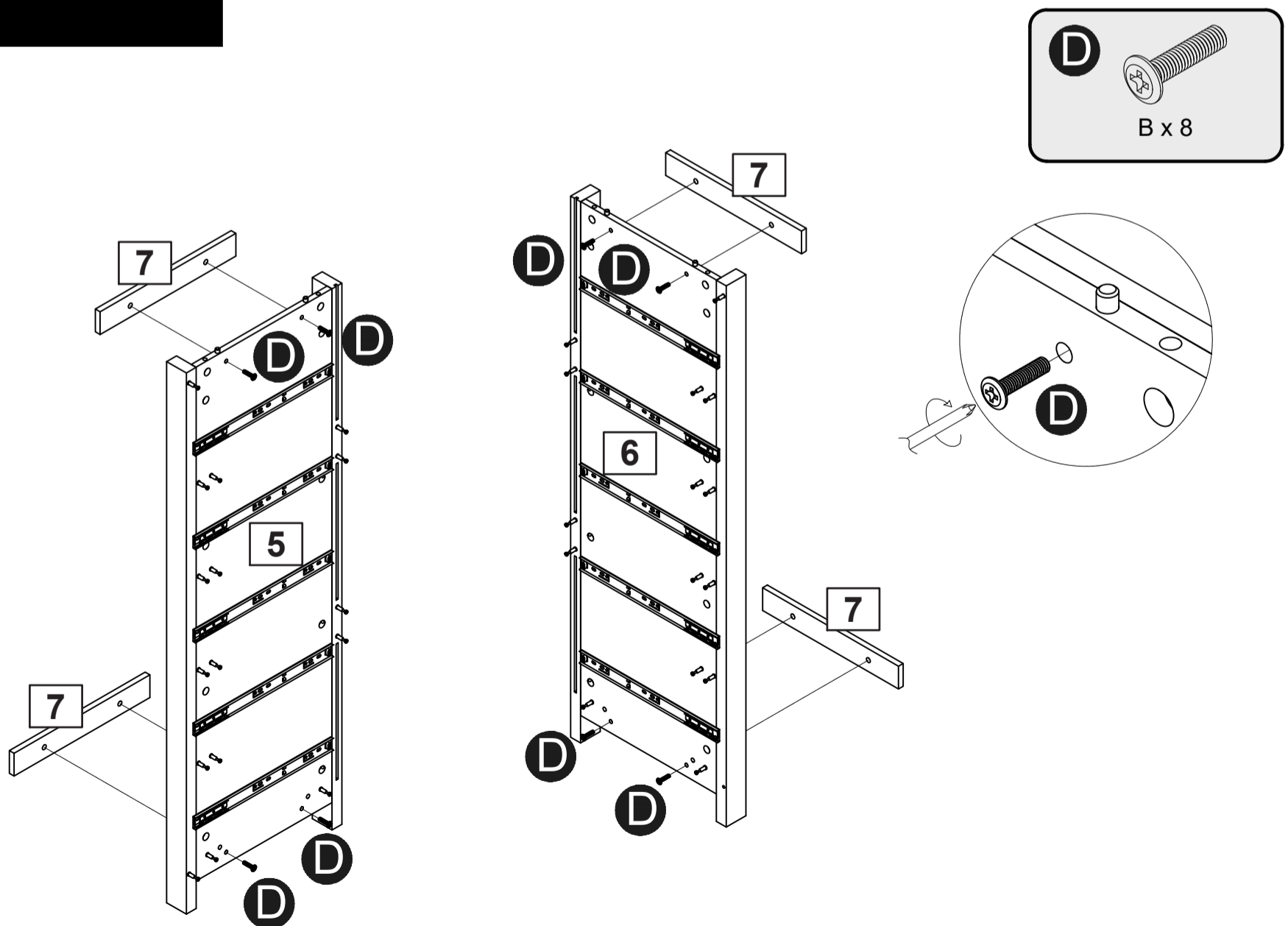
# Assembly Instructions

## Step 3



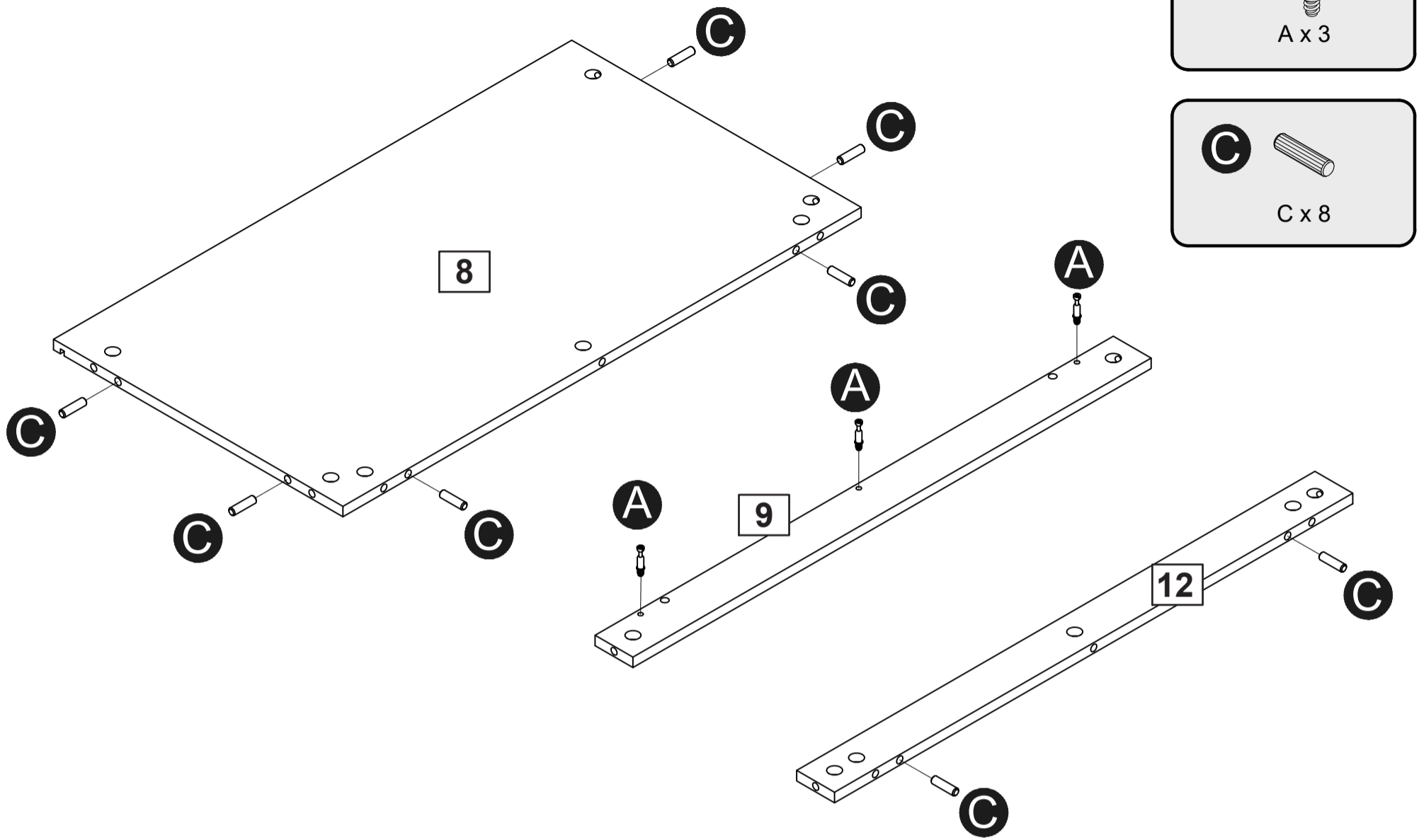
Attention:  
Check Before Installing: Ensure the rails are  
secure and ball bearings are in place.

## Step 4

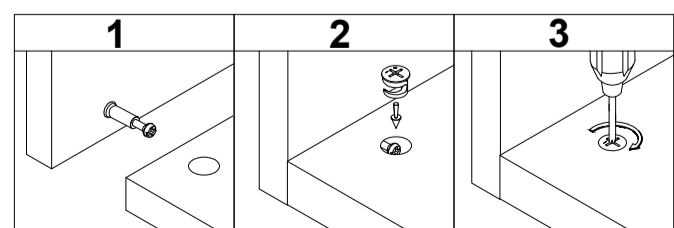
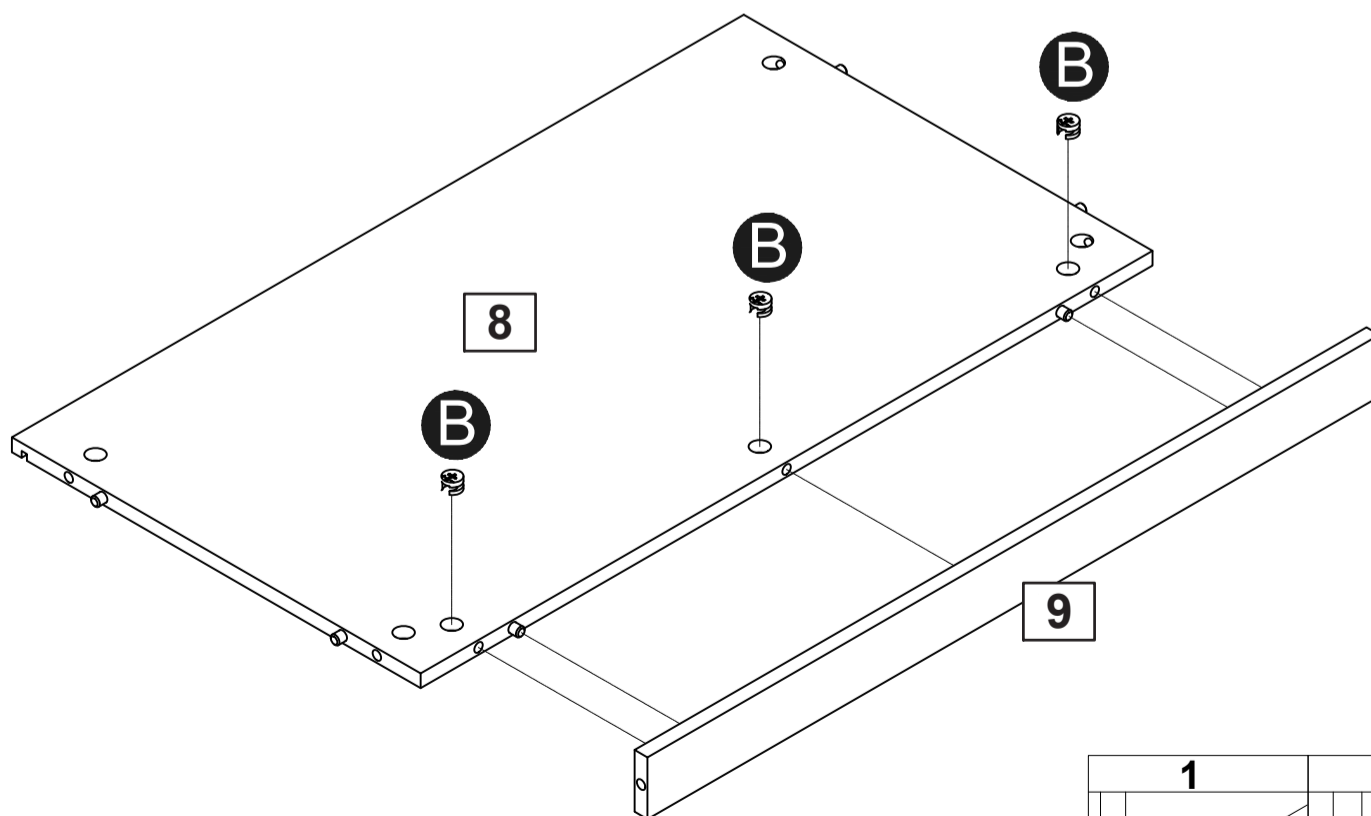
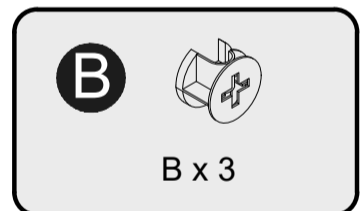
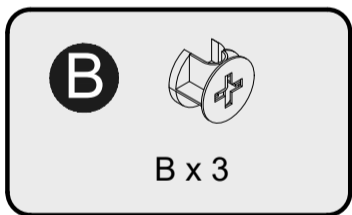


# Assembly Instructions

## Step 5

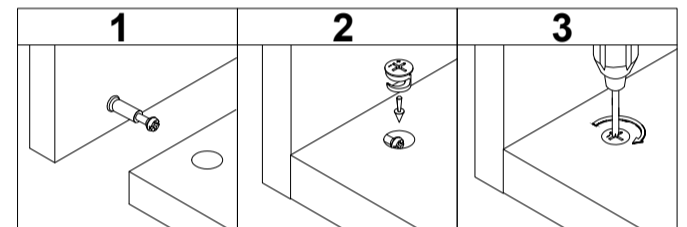
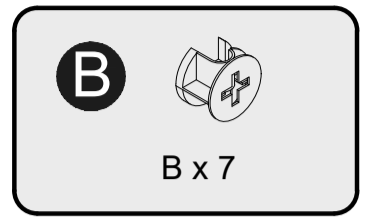


## Step 6

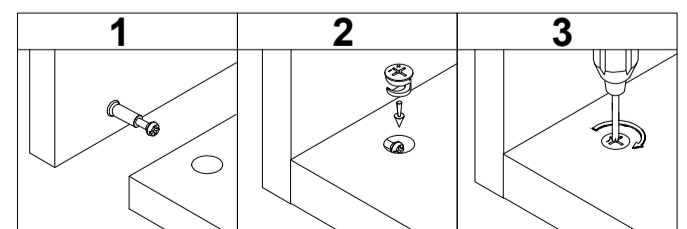
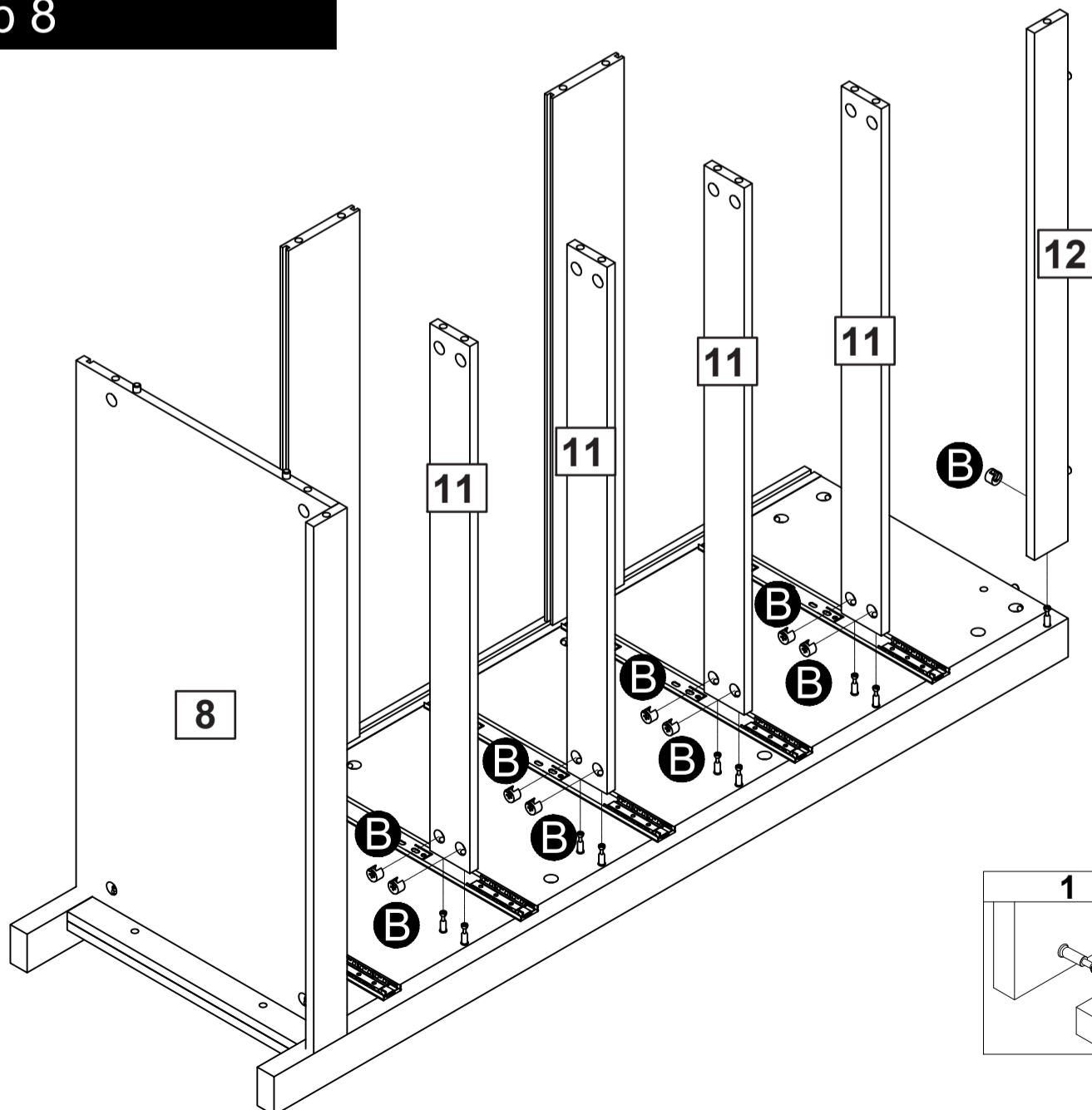


# Assembly Instructions

## Step 7

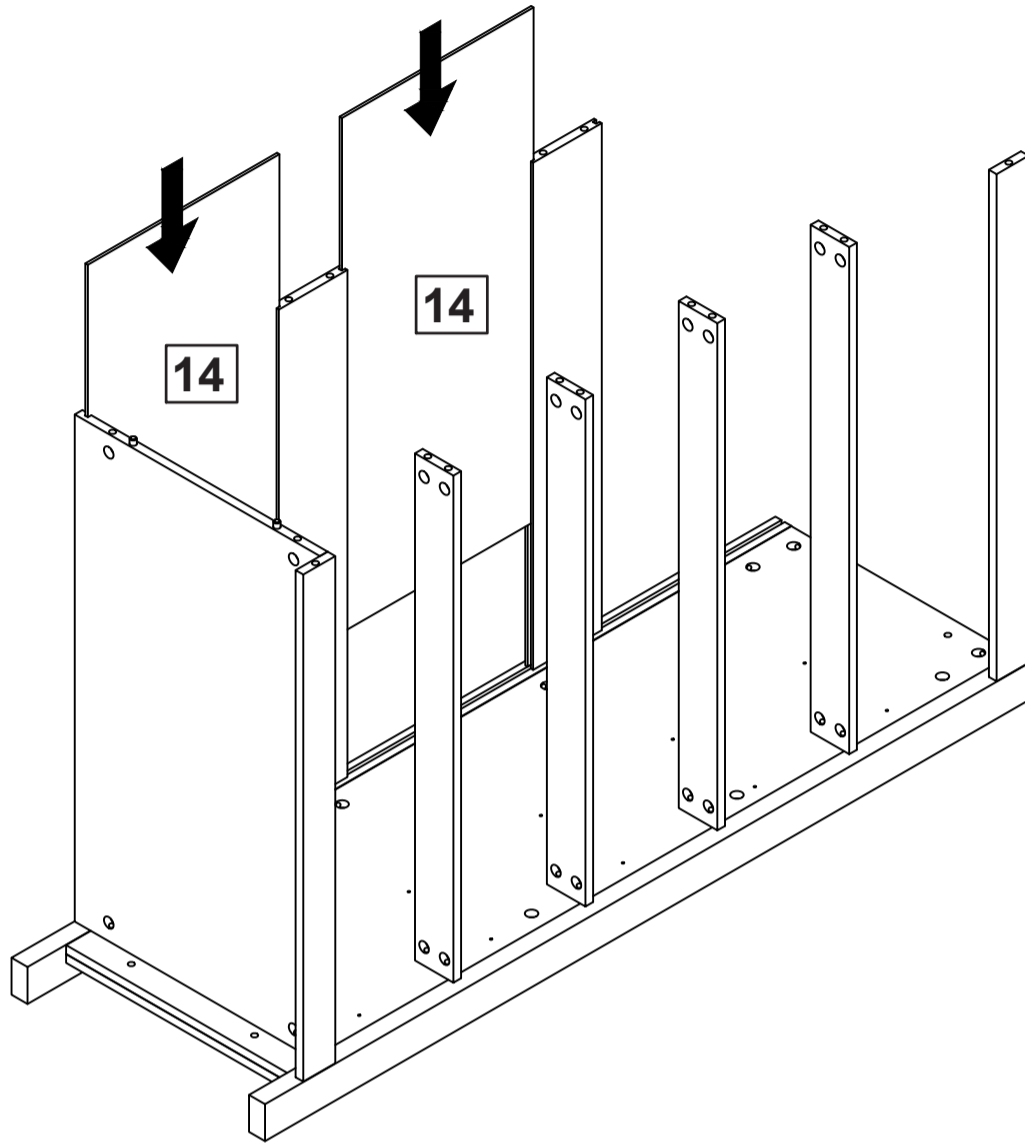


## Step 8

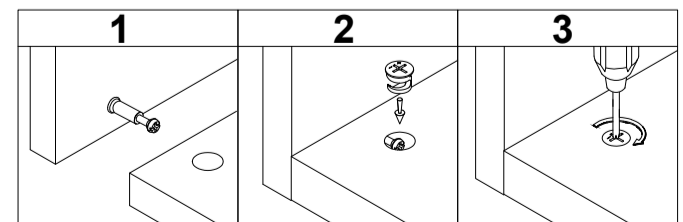
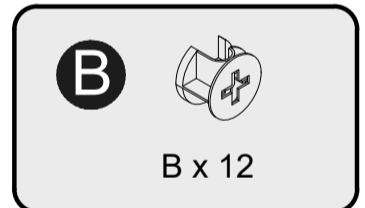
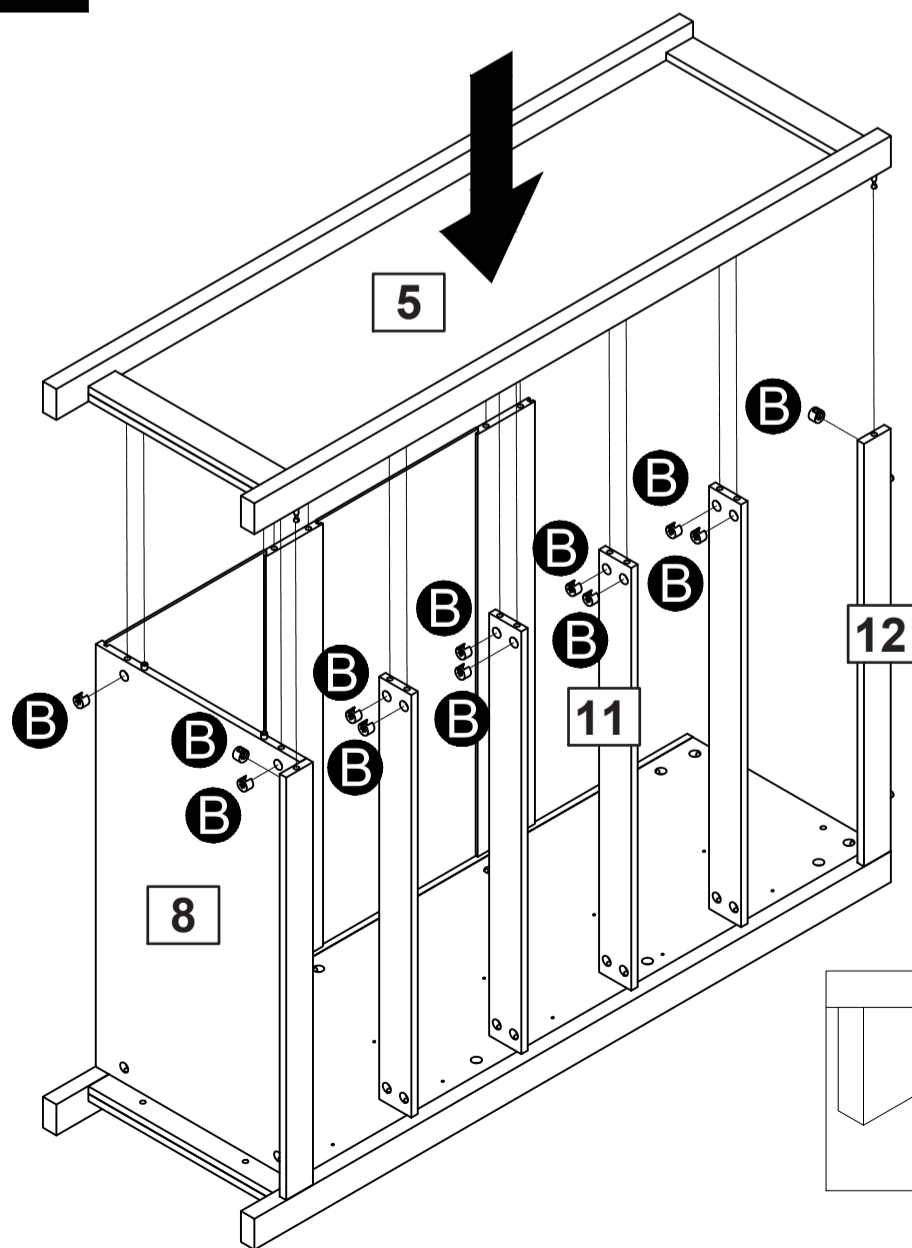


# Assembly Instructions

## Step 9

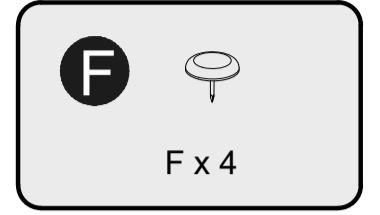
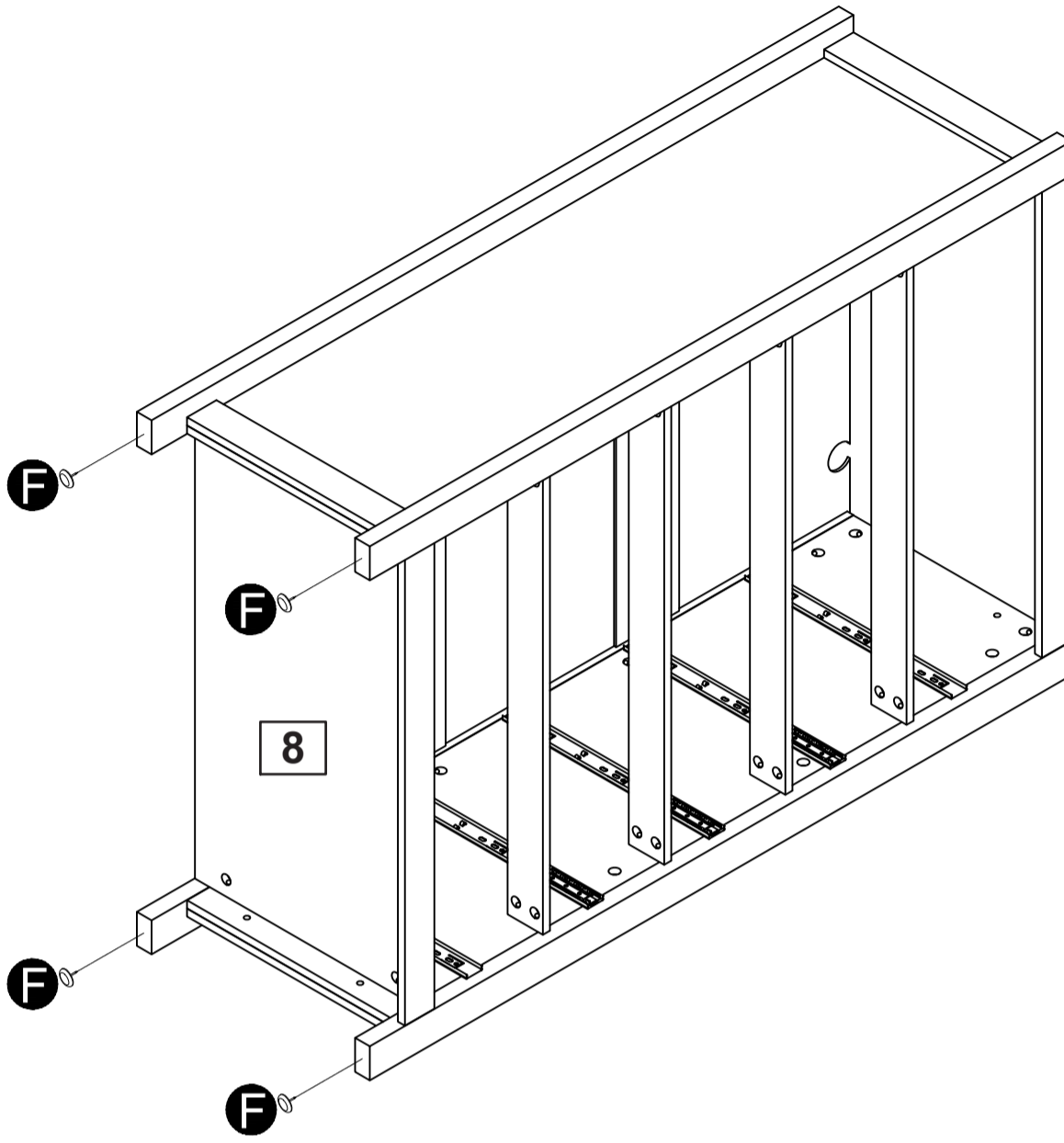


## Step 10

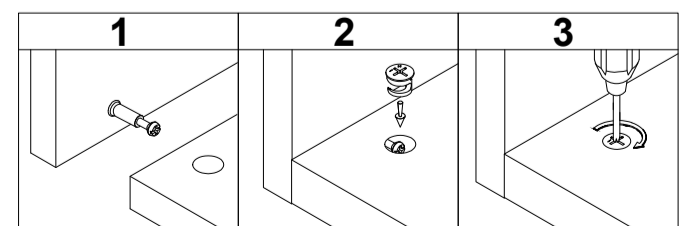
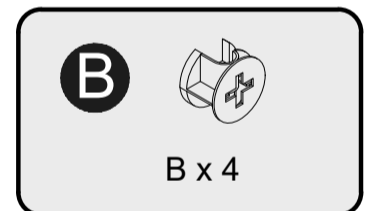
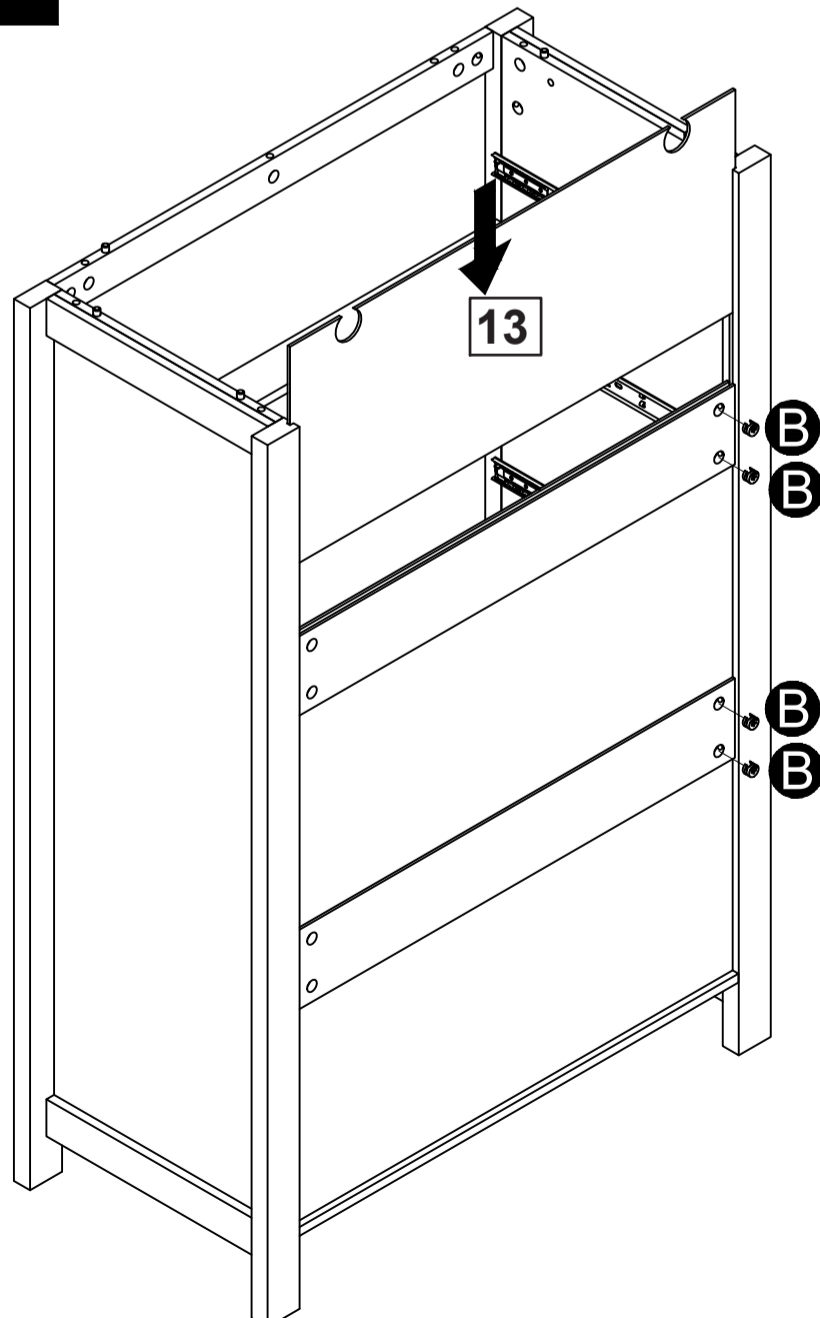


# Assembly Instructions

## Step 11

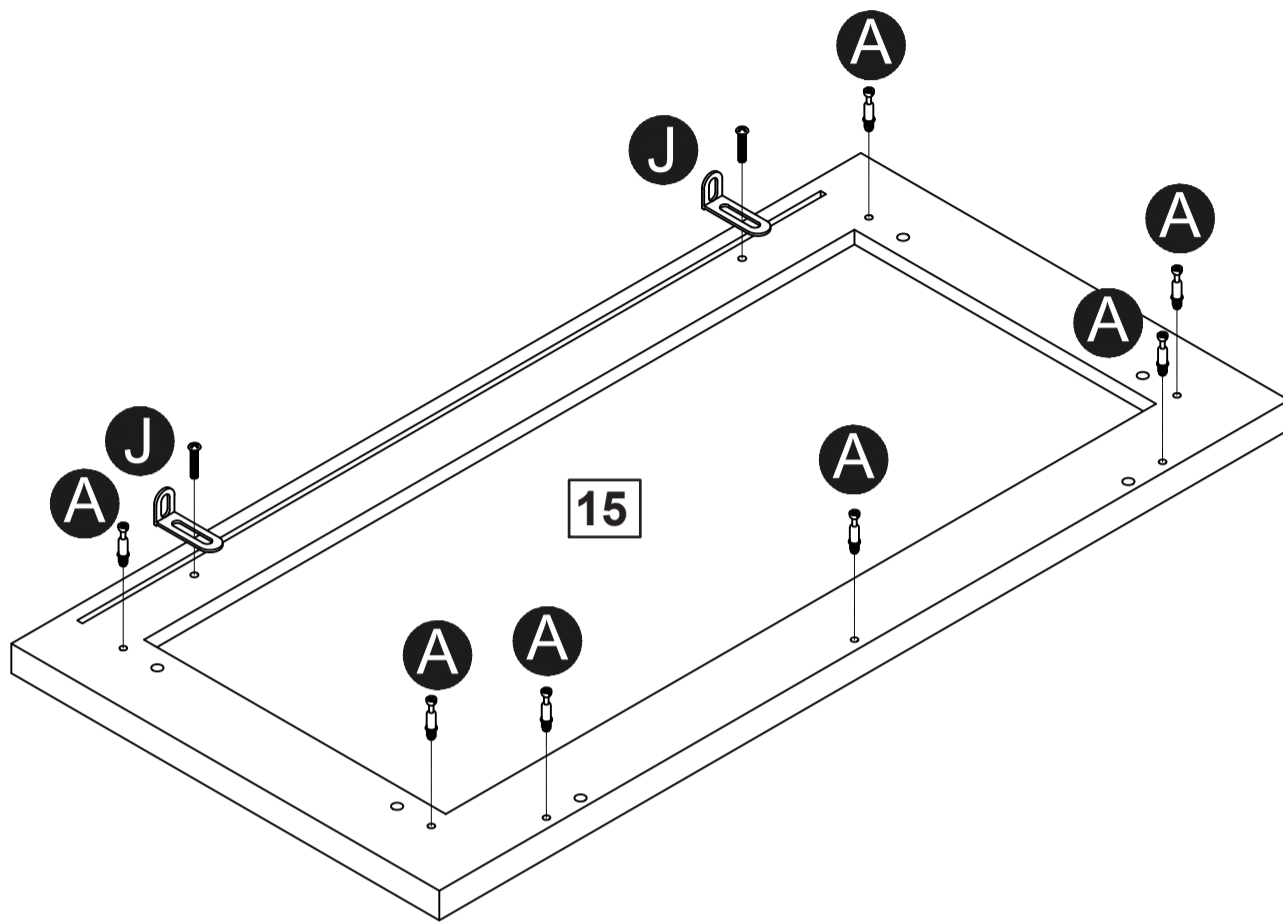


## Step 12

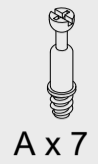


# Assembly Instructions

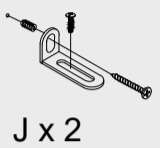
## Step 13



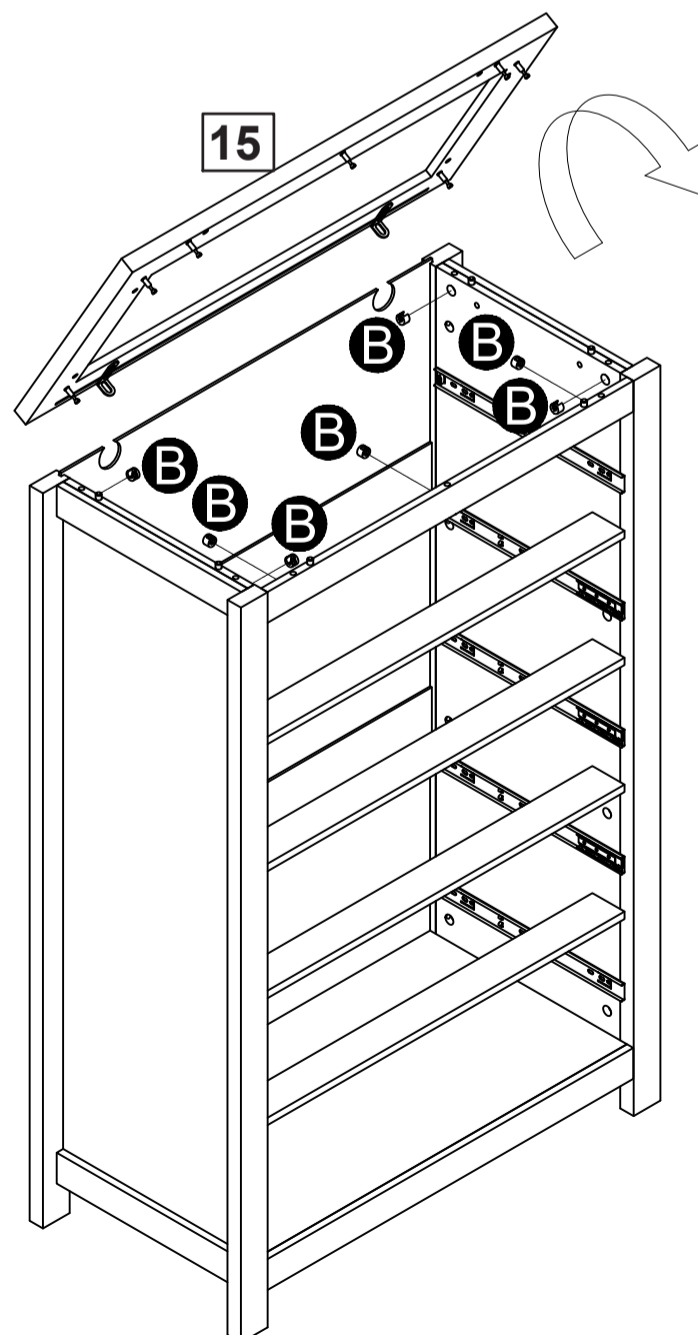
A



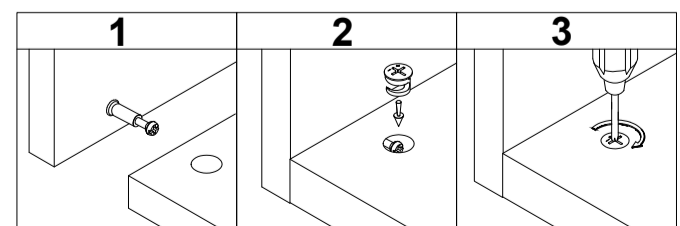
J



## Step 14

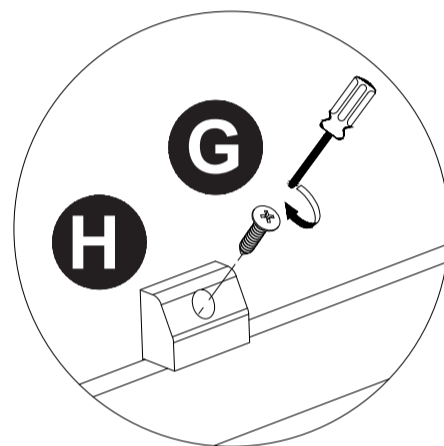
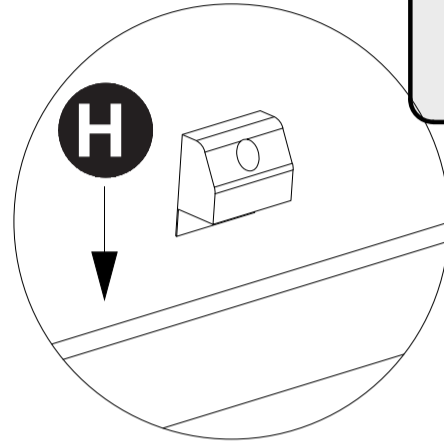
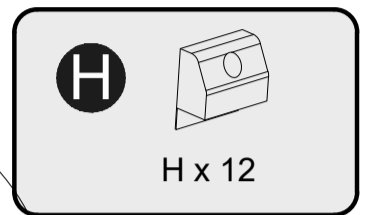
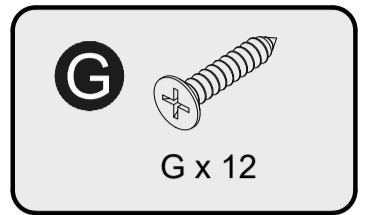
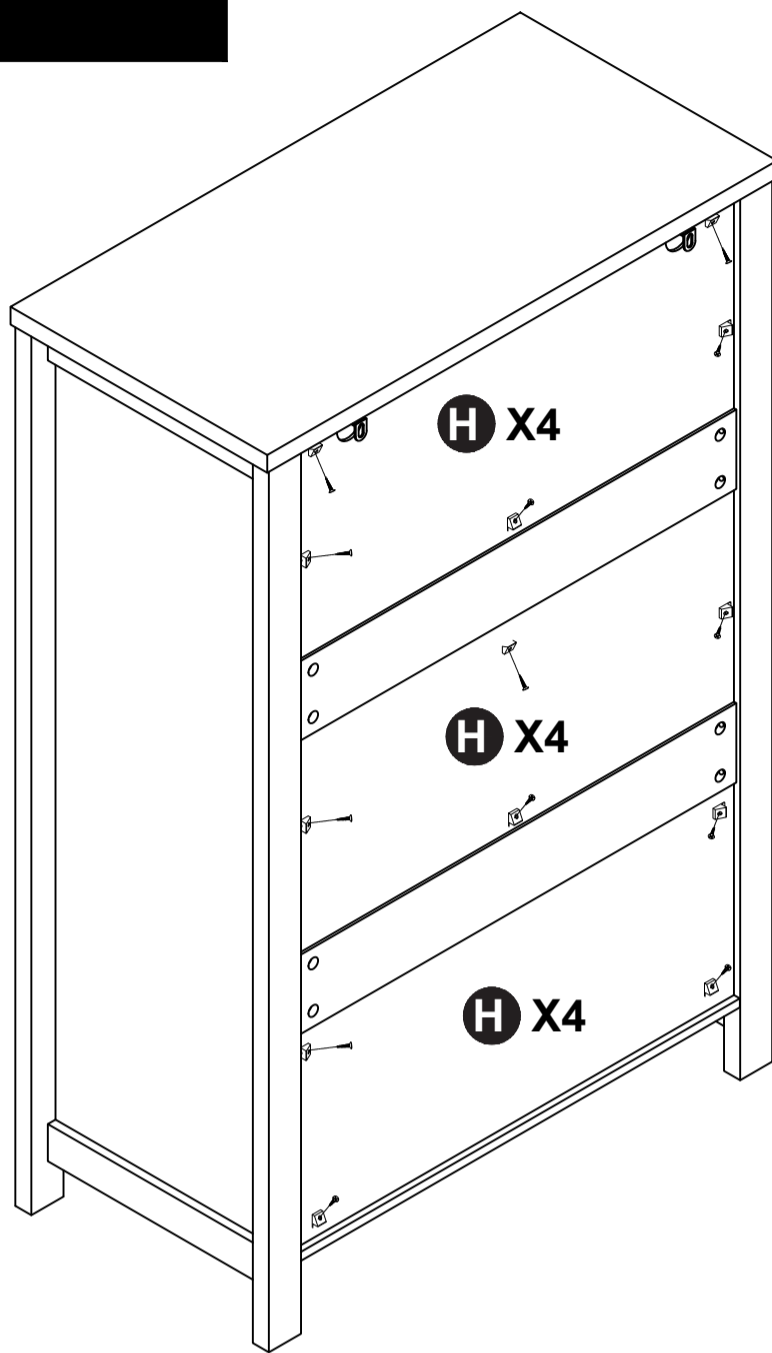


B



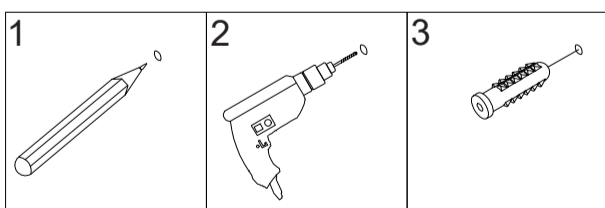
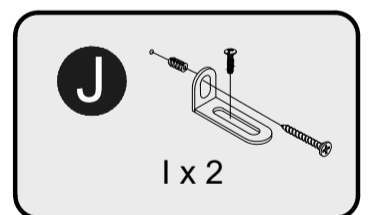
# Assembly Instructions

## Step 15



## Step 16

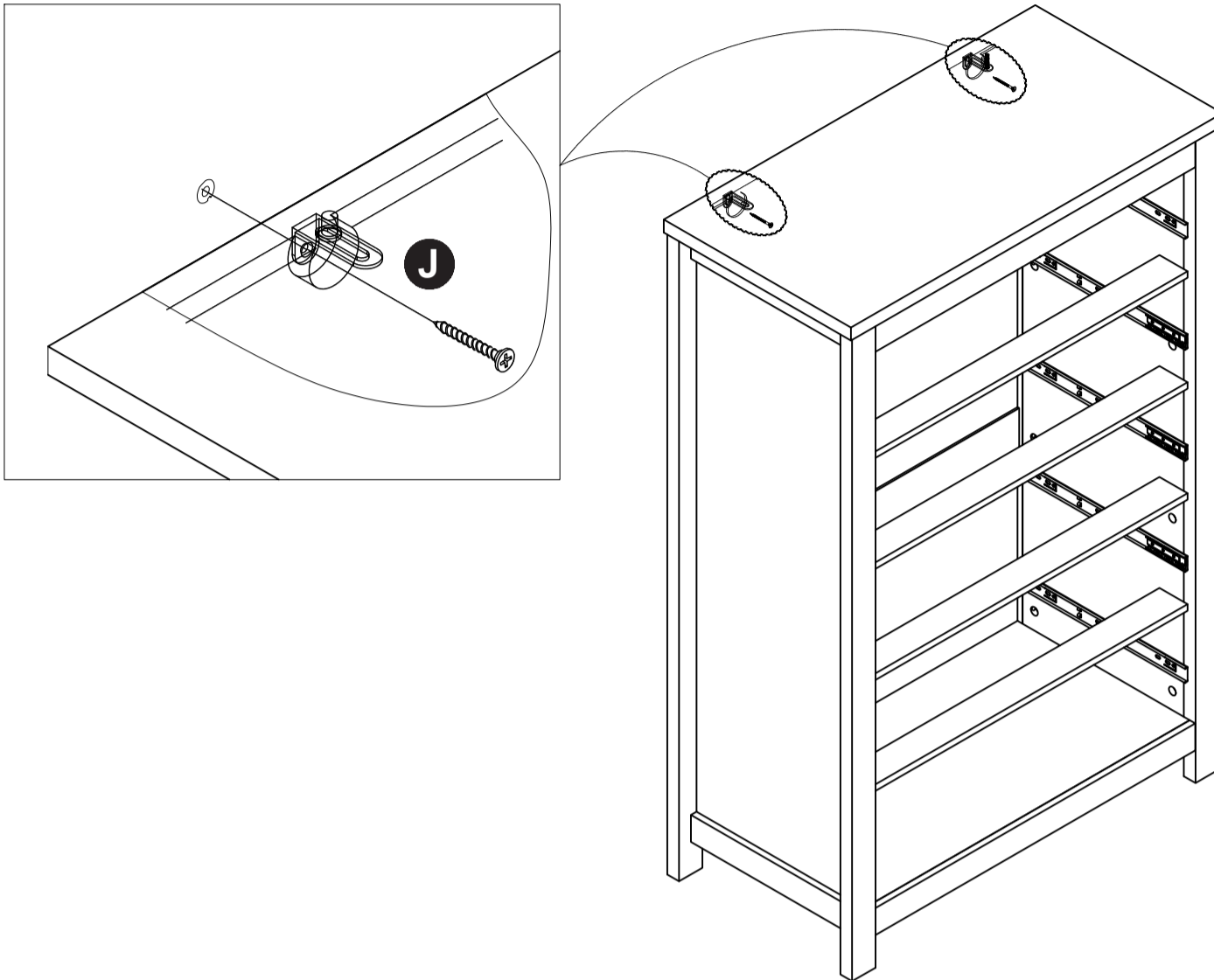
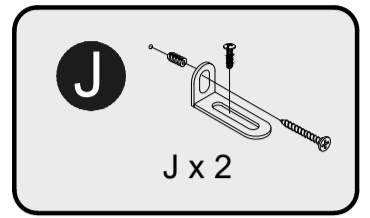
Serious or fatal injuries can occur from furniture tipping over. To prevent the furniture from tipping over we recommend that it is permanently fixed to the wall. Wall anchor and hardware are included with this product. Please make sure hardware is suitable for your walls before installing, as different wall materials may require different types of anchors.



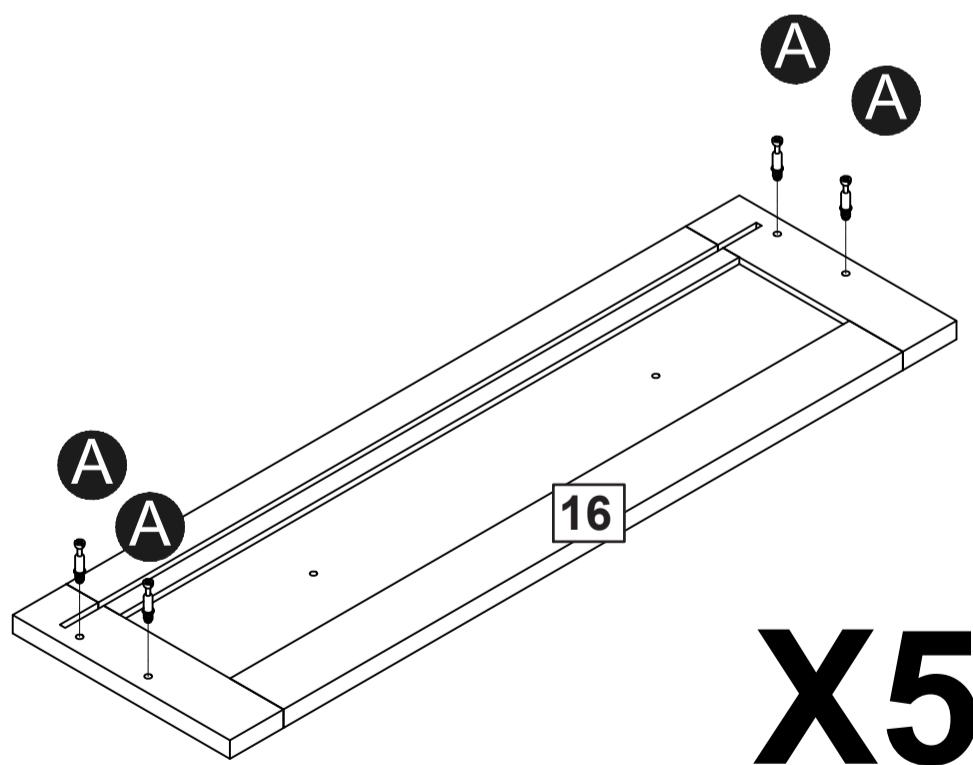
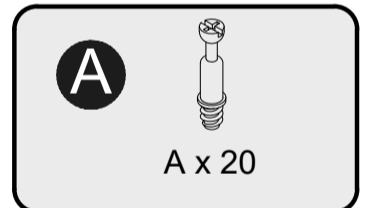
# Assembly Instructions

## Step 17

WARNING

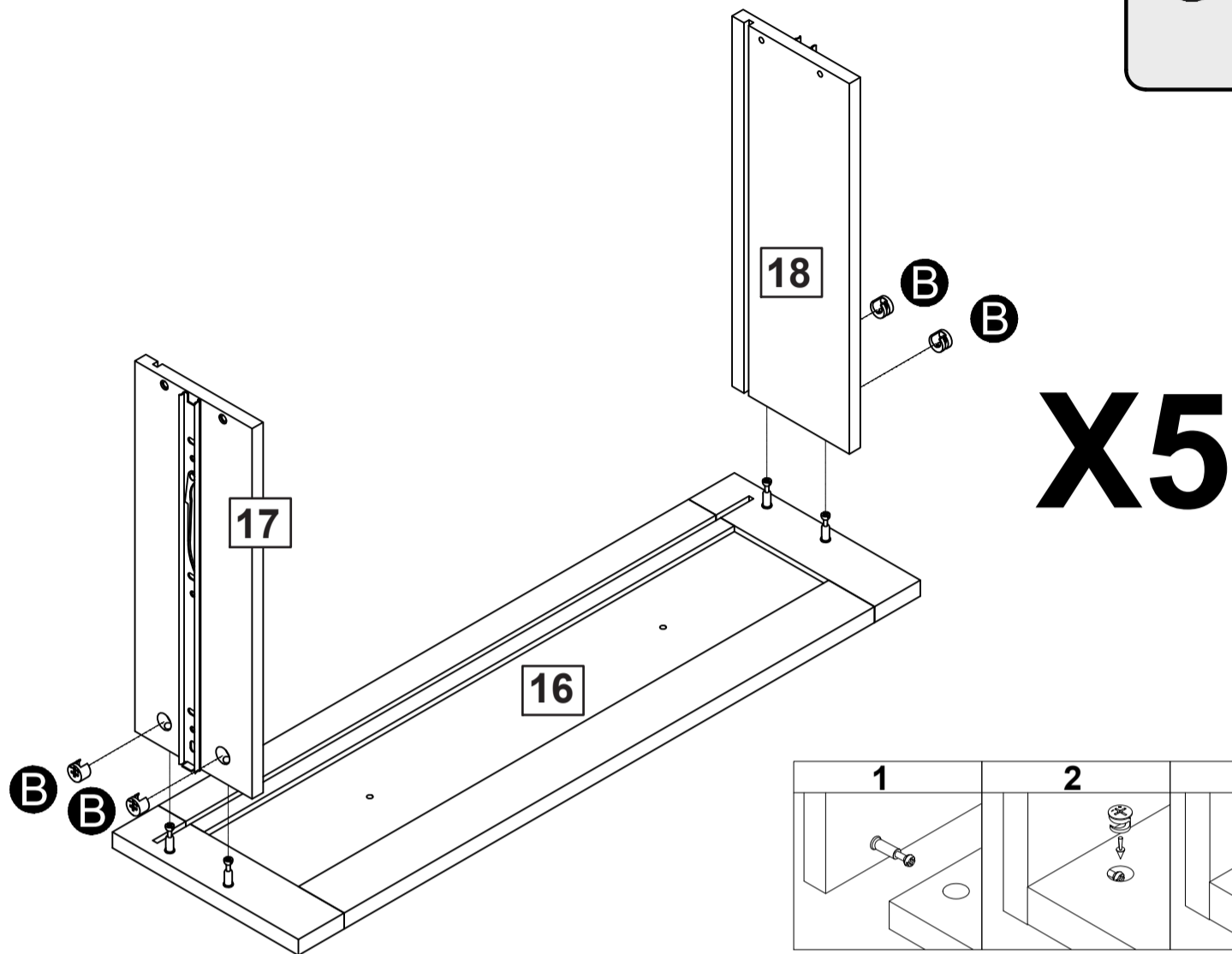
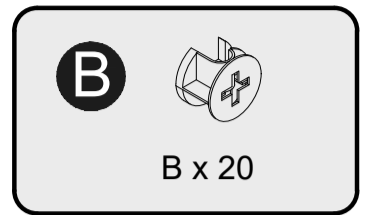


## Step 18

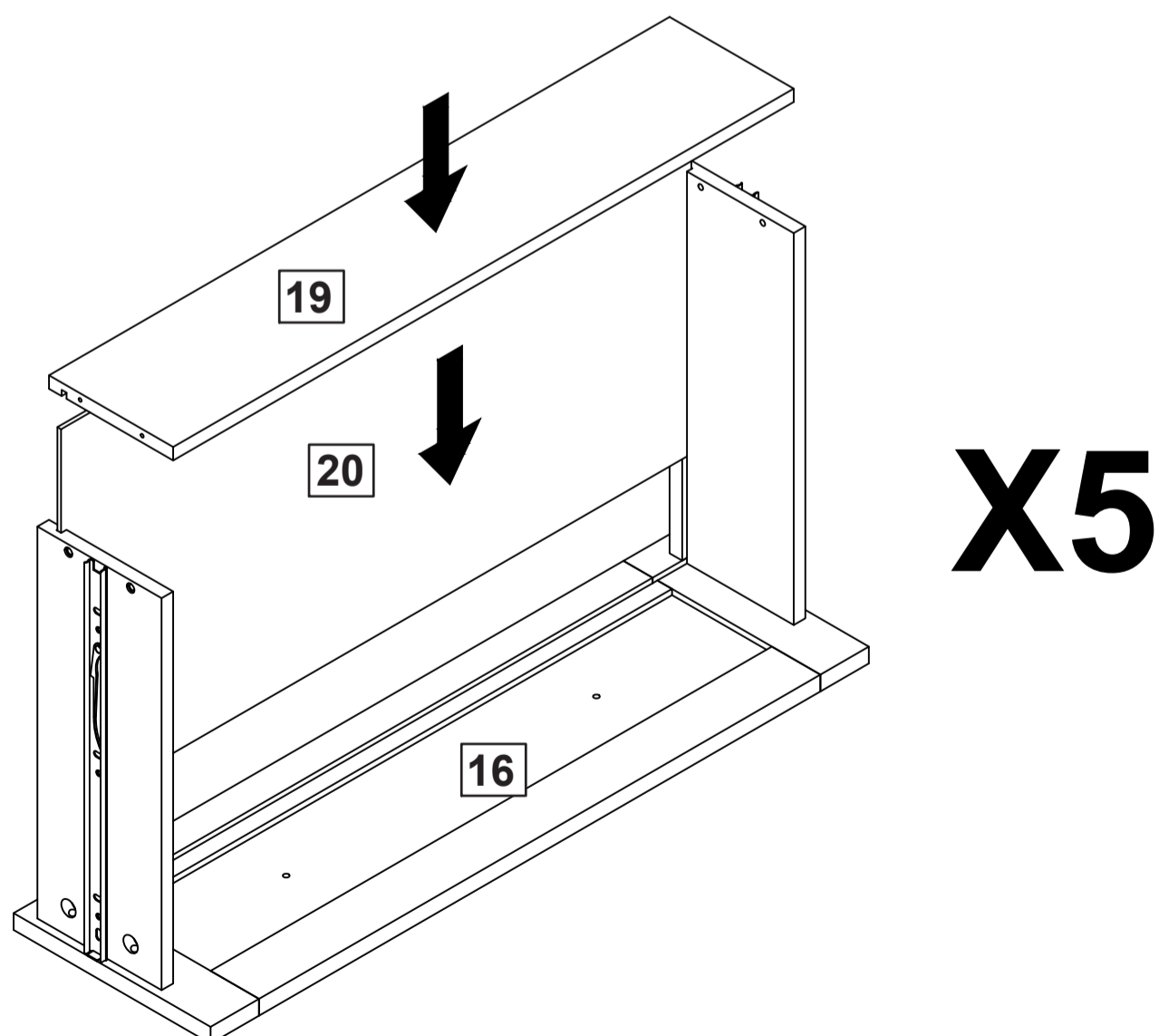


# Assembly Instructions

## Step 19

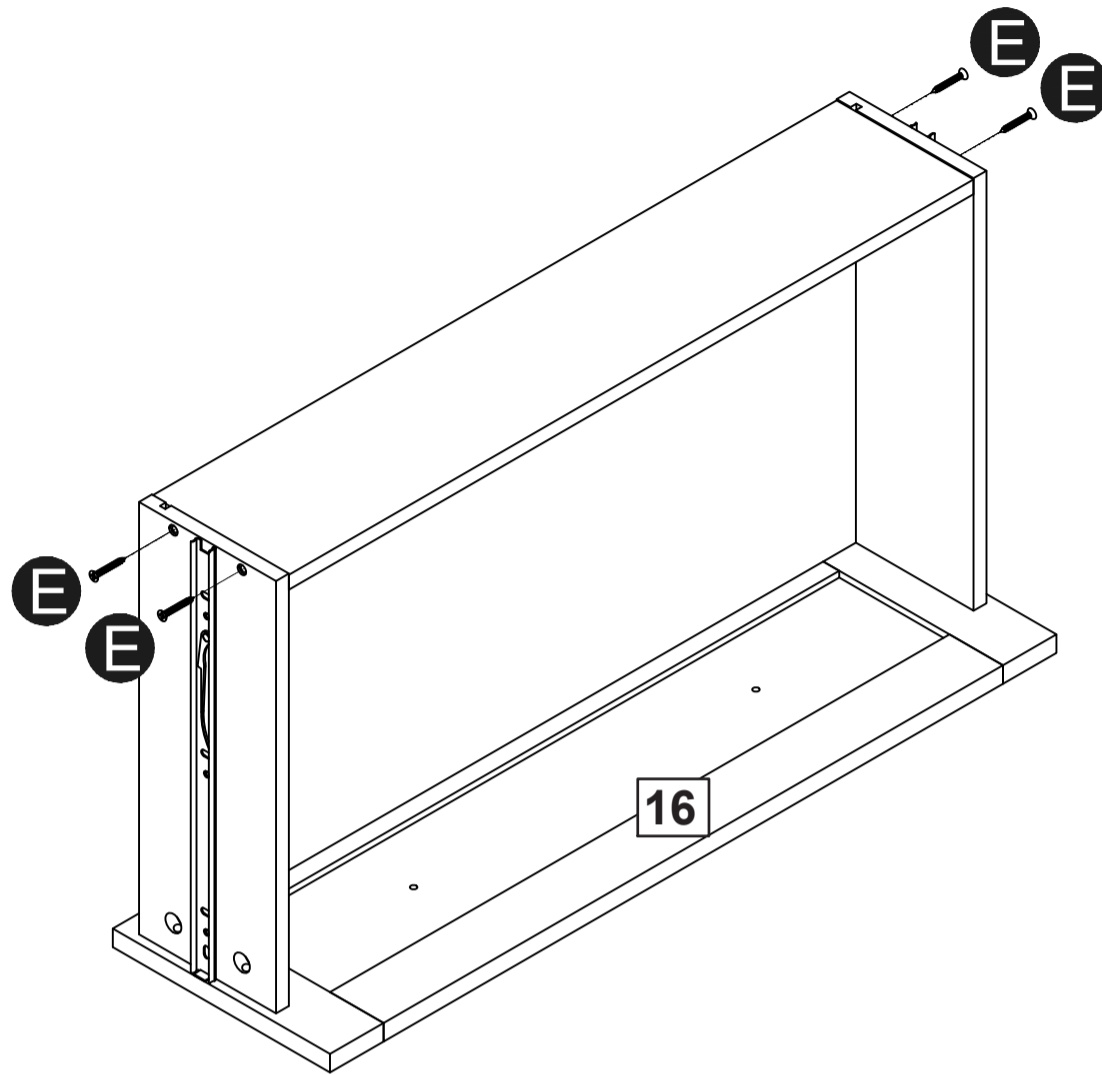


## Step 20



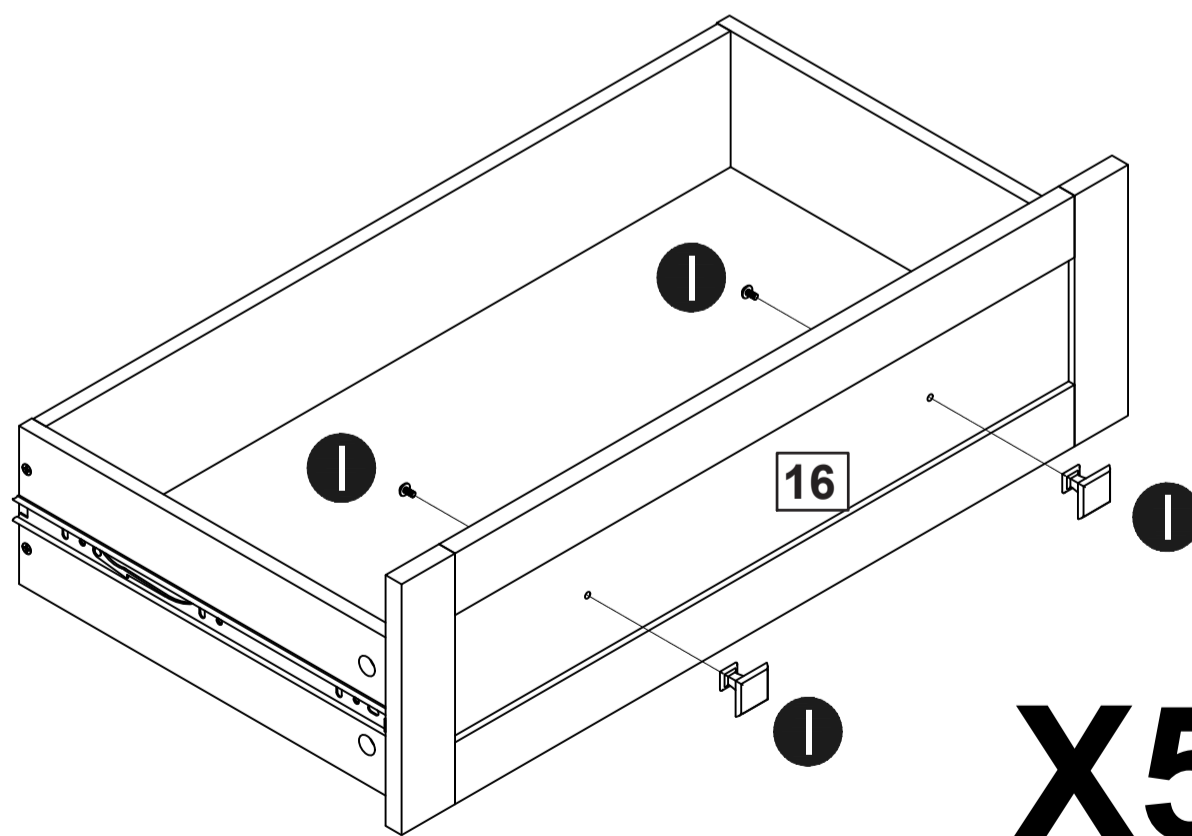
# Assembly Instructions

## Step 21



**X5**

## Step 22



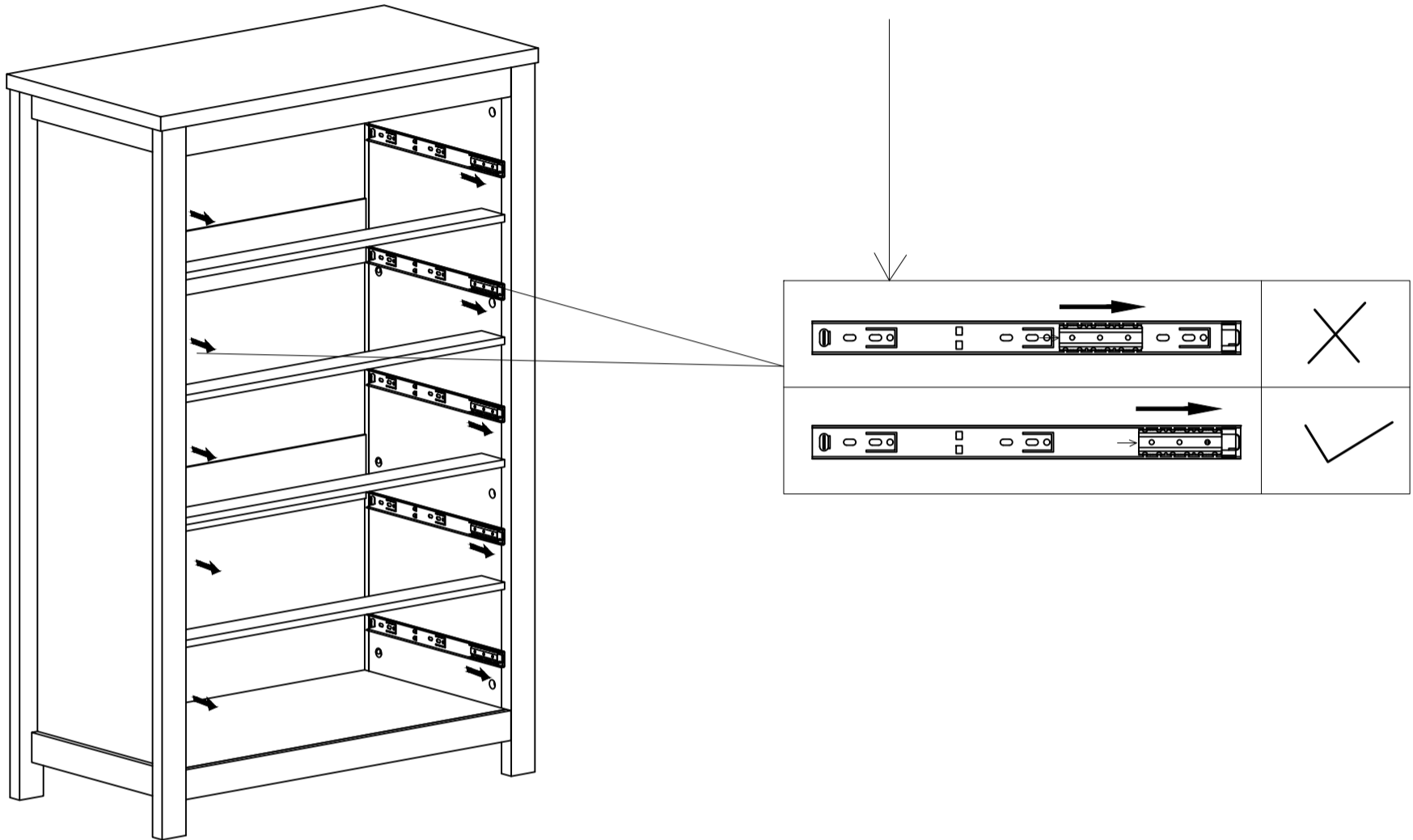
**X5**

# Assembly Instructions

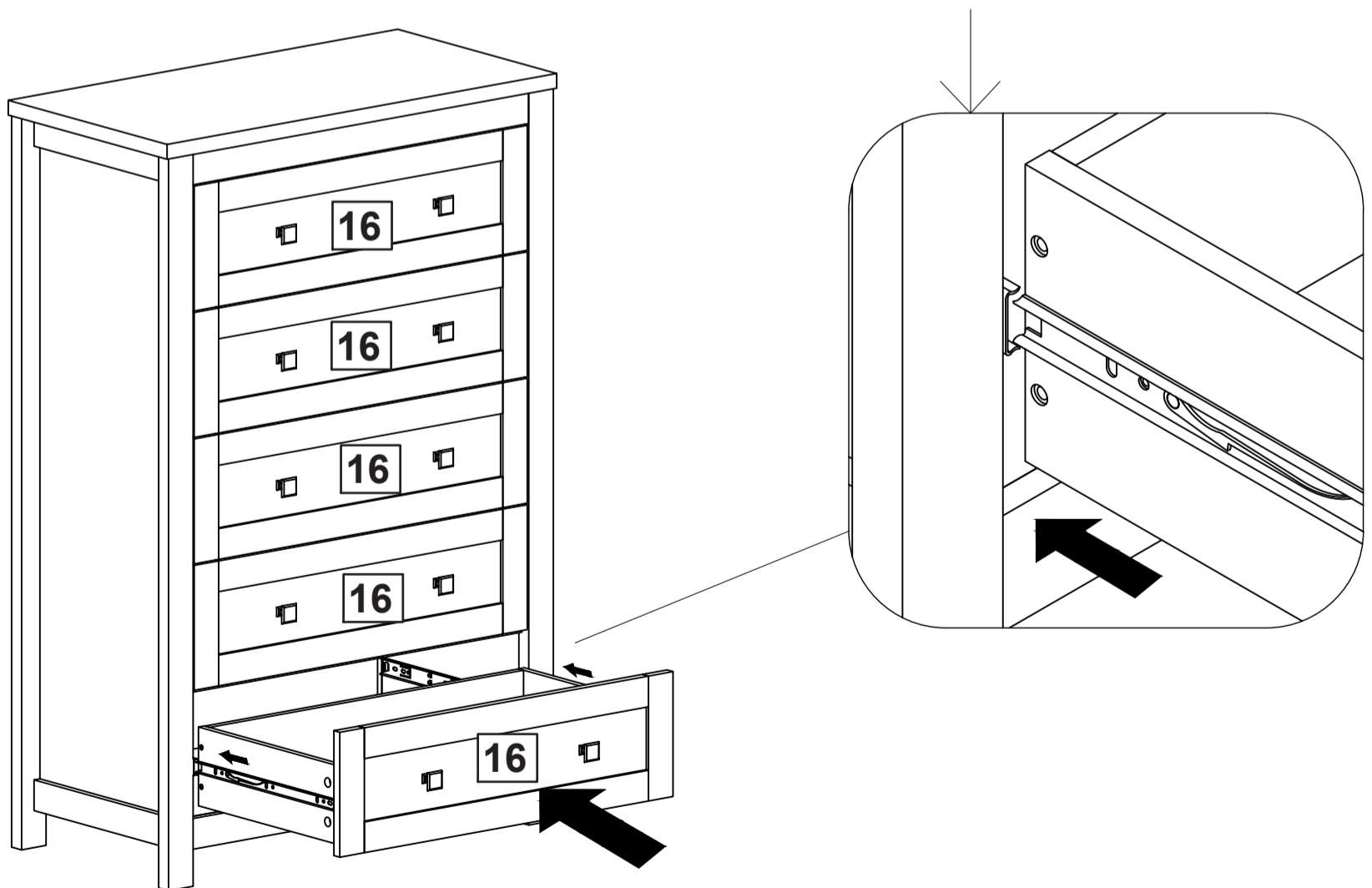
## Step 23

**⚠** It is highly recommended that the unit is secured to the wall. You can skip to the next step first, then come back to this step once the dresser is secured to the wall.

1. Check Before Installing: Ensure the rails are secure and ball bearings are in place.
2. Prepare: Slide the ball bearings to the front of the rails before closing.



3. Align & Insert: Line up the drawer rails with the main slides and insert both sides at once.



4. Fit: Open and close the drawer slowly three times to align and seat the ball bearings.

# Assembly Instructions

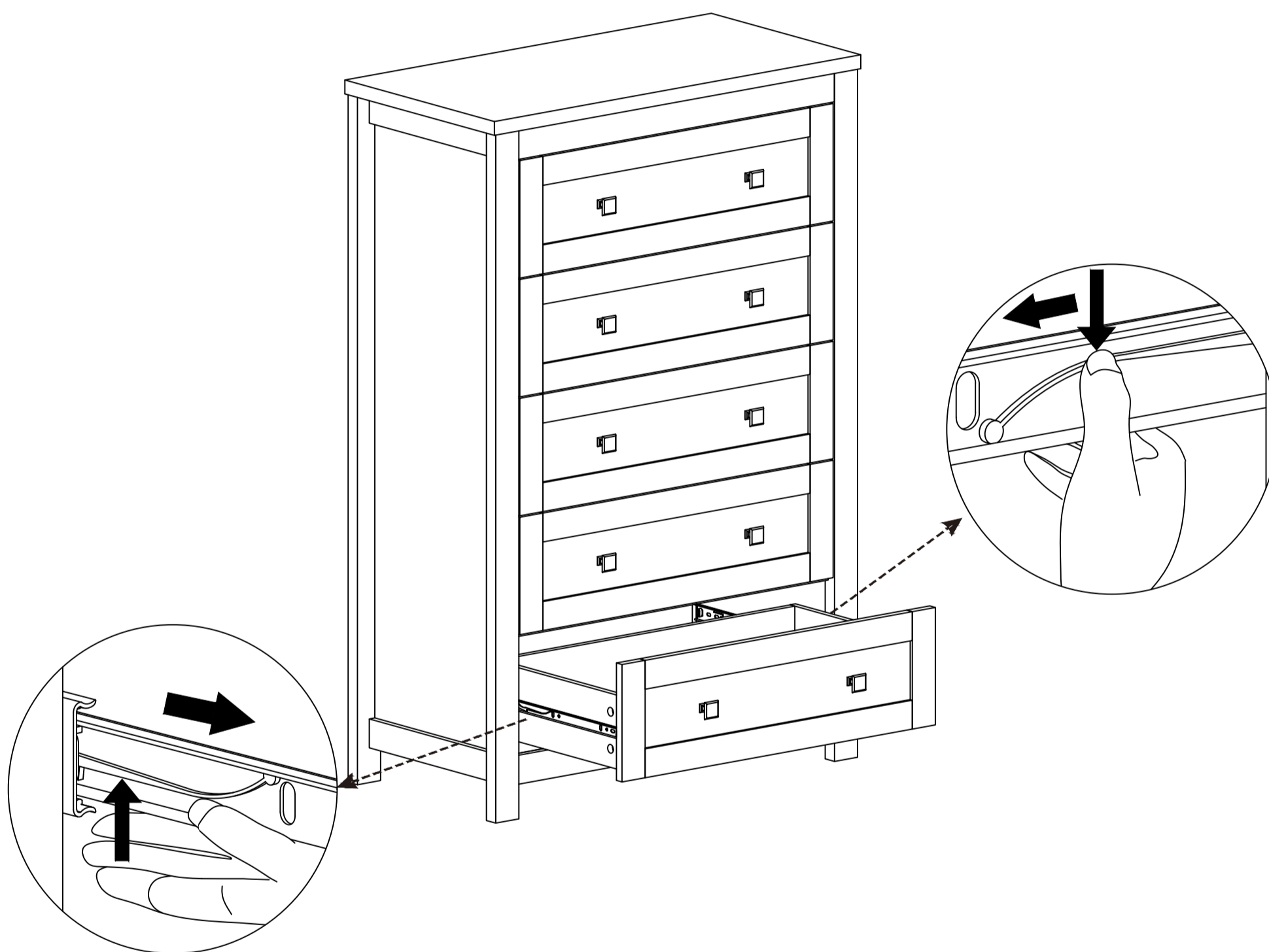
## Step 24

### 5. To Remove the Drawer:

Fully extend the drawer.

Push the left release latch up and the right one down.

Pull the drawer out while supporting it.



★If the drawer does not go in smoothly please take it out and repeat the steps.

**Assembly is complete.**

# A Guide to Wall Mounting & Fixings

## Important note:

If plastic wall plugs (rawl plugs) are supplied with your product, e.g.:



- these are only suitable for use in masonry walls.

If you are in any doubt about the correct wall plugs for your wall, seek professional advice.


Failure of the product due to using the incorrect fixings is the responsibility of the installer.



**Important:** when drilling into walls always check that there are no hidden wires or pipes etc.

Make sure that the screws and wall plugs being used are suitable for **supporting your unit**. **Consult a qualified tradesperson if you are unsure.**

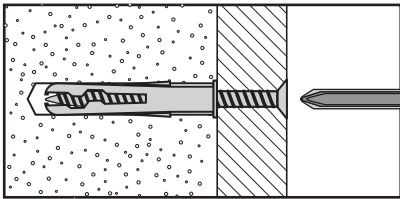
Hints:

- 1: General rule:  always use a larger screw and wall plug if you are not sure.
- 2: Ensure you use the recommended drill bit to match the wall plug and hole size.
- 3: Ensure you drill the hole horizontally; do not force the drill or enlarge the hole.
- 4: Take extra care when drilling high walls, ceilings and ceramic tiles. Ensure wall plugs are inserted beyond the thickness of the ceramic tiles to avoid the tiles splitting or cracking.
- 5: Ensure wall plugs are well fitted and are a tight fit in the drilled hole.

## Types of walls

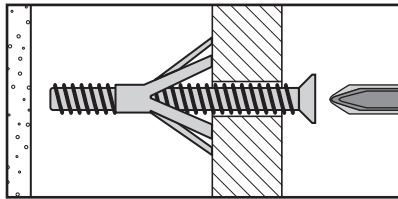
You can use one of the following types of wall plug if your walls are made of brick, breeze block, concrete, stone or wood.

No.1 "General Purpose" wall plug



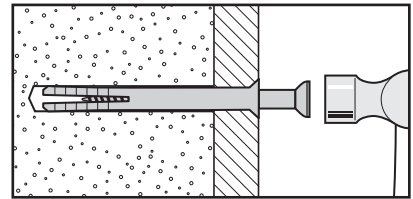
Generally aerated blocks should not be used to support heavy loads, use a specialist fitting in this case. For light loads, general purpose wall plugs can be used.

No.3 "Cavity Fixing" wall plug



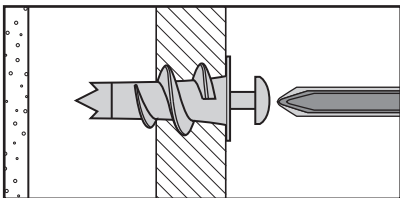
For use with plasterboard partitions or hollow wooden doors.

No.5 "Hammer Fixing" wall plug



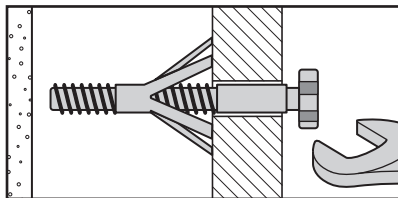
For use with walls stuck with plasterboard. The hammer fixing allows it to be fixed to the wall rather than the plasterboard. Always check the fixing is secure to the retaining wall.

No.2 "Plasterboard" wall plug



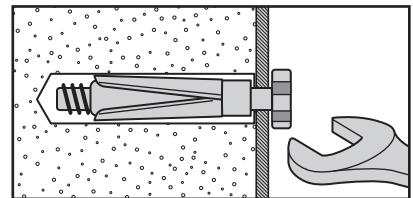
For use when attaching light loads onto plasterboard partitions.

No.4 "Cavity Fixing - Heavy Duty" wall plug



For use when fitting or supporting heavy loads such as shelving, wall cabinets and coat racks.

No.6 "Shield Anchor" wall plug - heavy loads



For use with heavier loads such as TV and HiFi speakers and satellite dishes etc.



## Care & Maintenance

**Safety:** always check the fitting and location to ensure your safety in and around the home.

**Fitting:** from time to time check the fitting to ensure the wall plugs or screws do not become loose.