

# TOPZERO®

## BERN TZ RS816

Seamless Edge Stainless Steel Sink

### GENERAL

Fine quality sink bowls formed of 16 gauge BA 304 18/10 nickel bearing stainless steel.

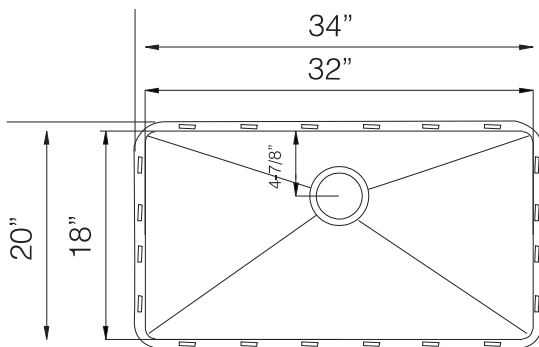
### DESIGN FEATURES

Bowl Depth : 10"  
Finish : Soft Satin Finish  
Underside : Sound absorbing pads and special paint  
Drain Opening : 3-1/2"

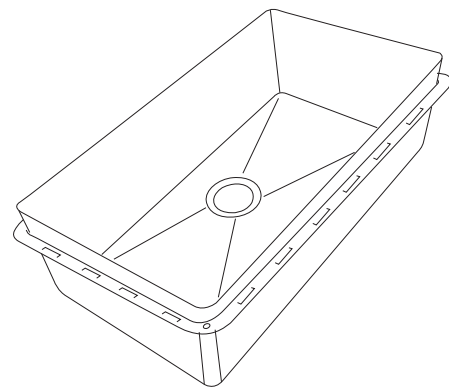
### OPTIONAL ACCESSORIES

Stainless Steel Bottom Grid GRS 814  
Wood Cutting Board CBS 49  
Stainless Steel Drying Rack DR 495

### SINK DIMENSIONS (INCHES)



### SPECIFICATIONS

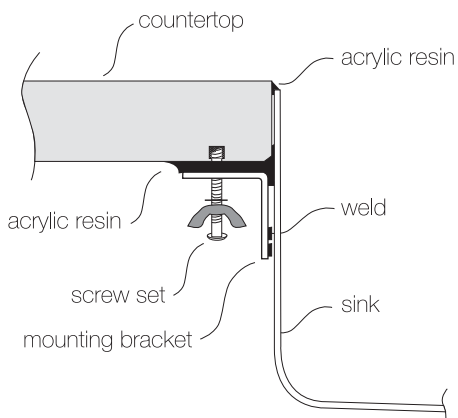


Patented in USA; Foreign Patents Pending

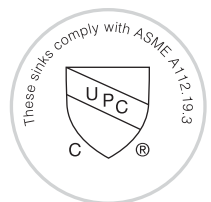


Recommended Cabinet Size 36"

### INSTALLATION PROFILE \*



Watch the TopZero Sink  
Installation video on [YouTube](#)



follow / like us @