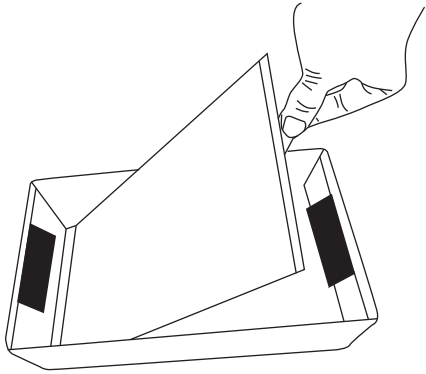


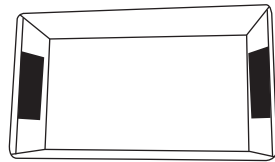
USER'S MANUAL
FOLDABLE STORAGE OTTOMAN

1



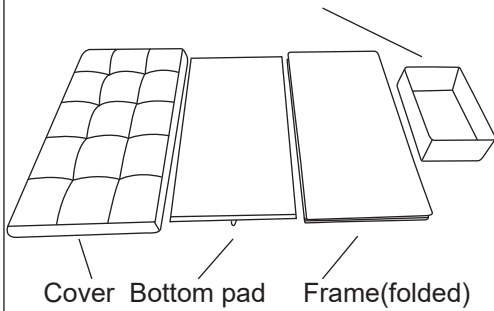
Assemble the inner hanging storage box

2

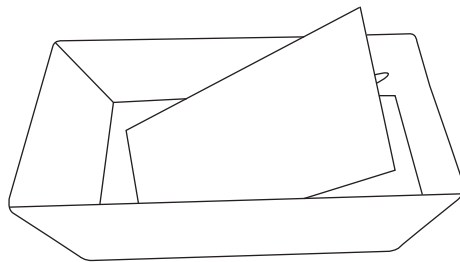


3

Small hanging box (assembled)

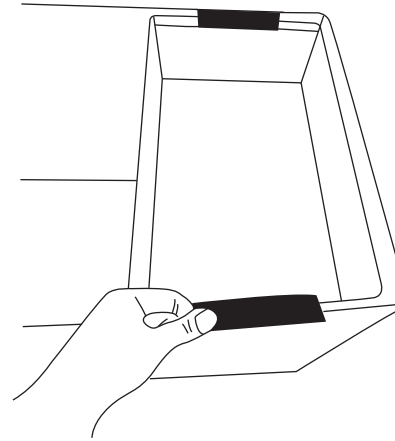


4



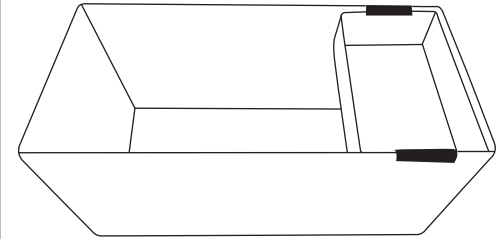
Place the bottom pad in the ottoman

5

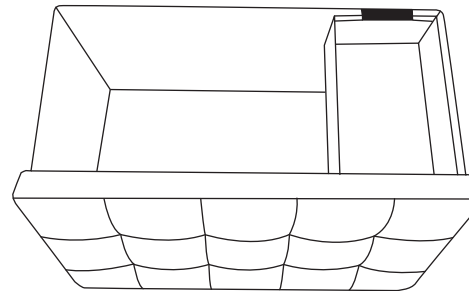


Hang the installed small hanging box inside the storage ottoman and fix it with the burr of the attached Velcro

6



7



8

