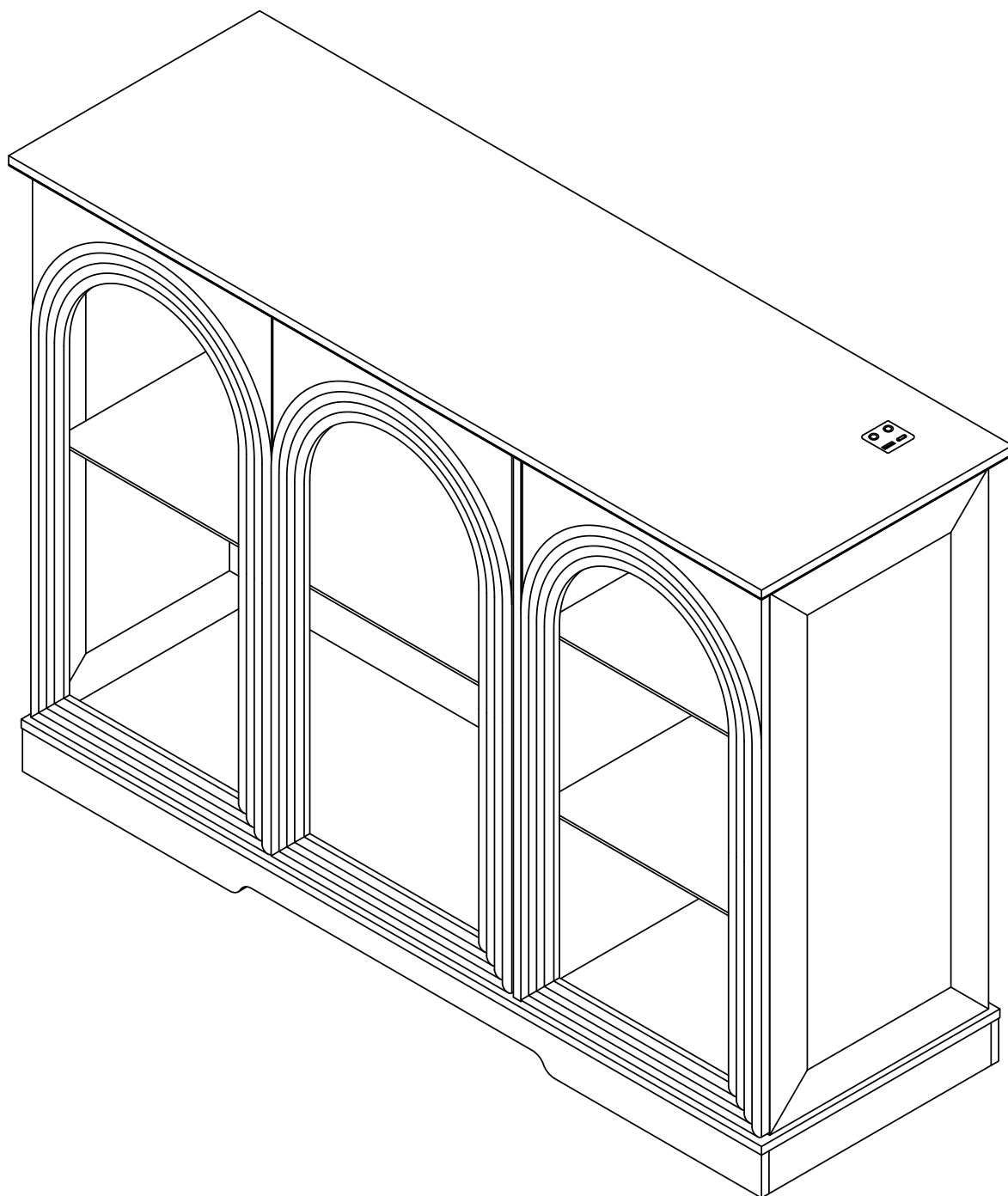
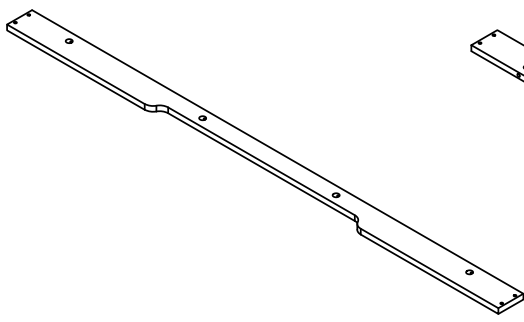
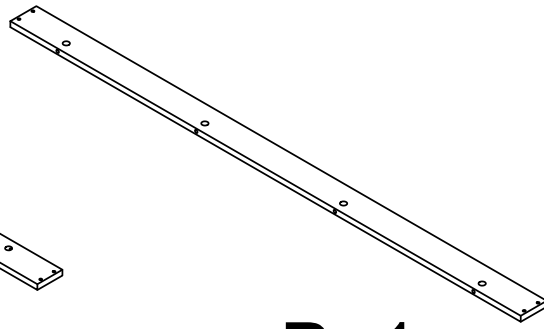


Product Installation Instructions

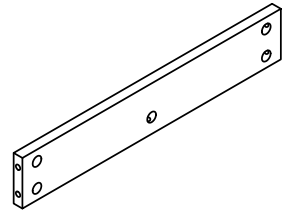




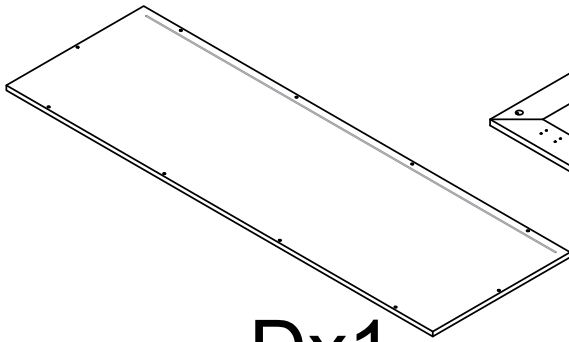
Ax1



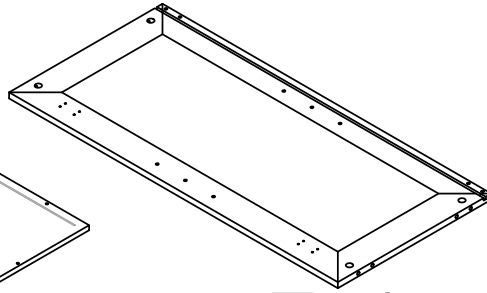
Bx1



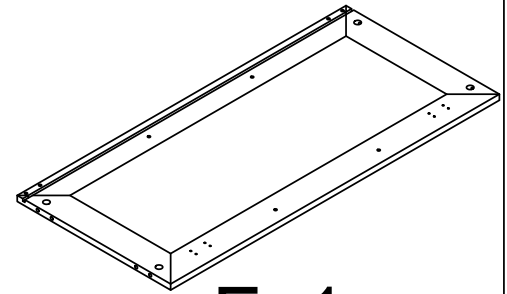
Cx2



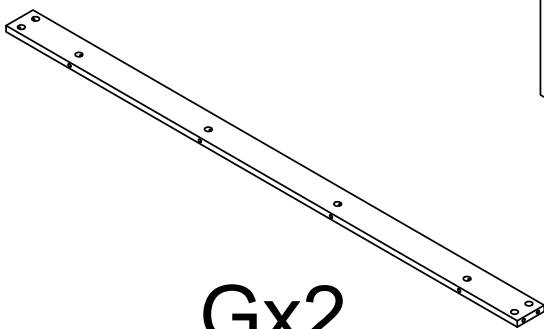
Dx1



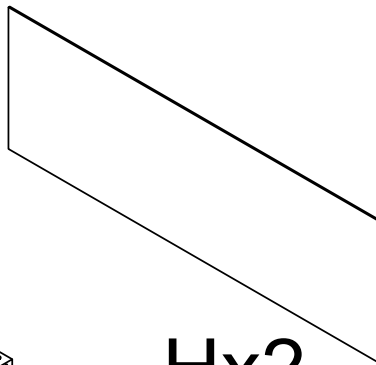
Ex1



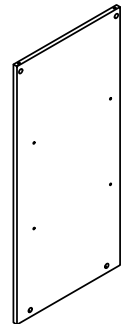
Fx1



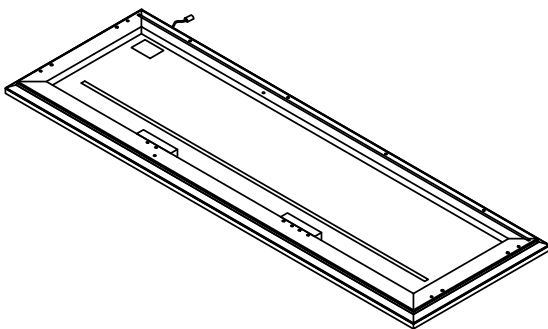
Gx2



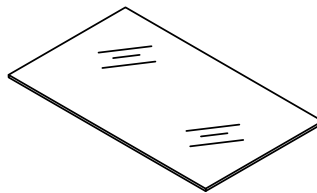
Hx2



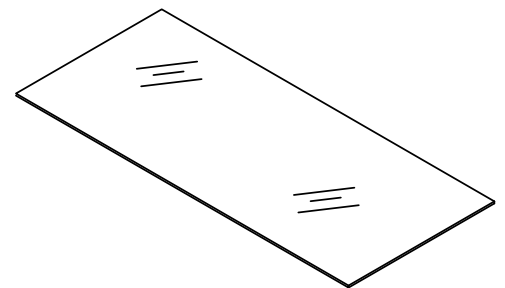
Ix1



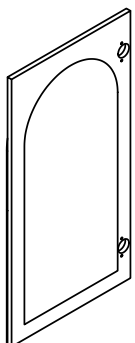
Jx1



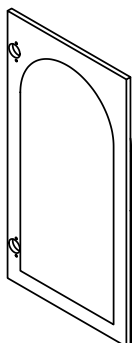
Kx2



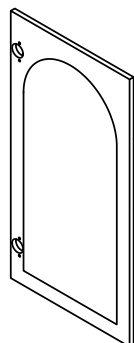
Lx1



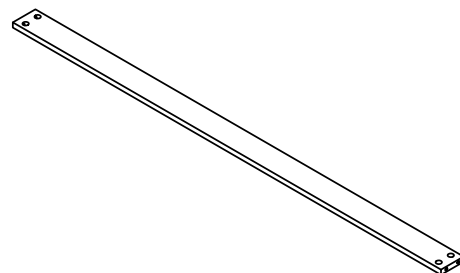
Mx1



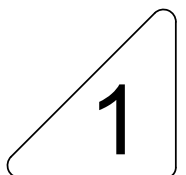
Nx1

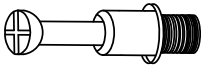




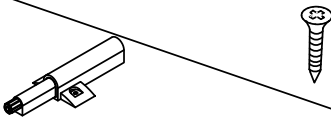
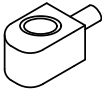
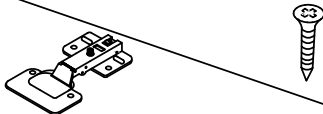
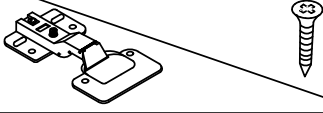
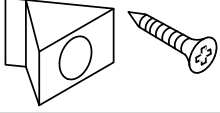
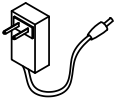


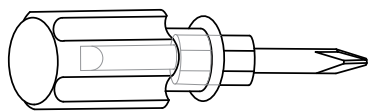
Ox1



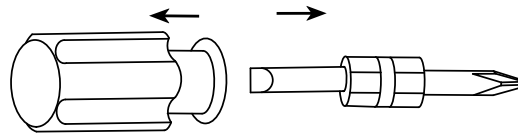
Px1



①		Two In One Screw (6x28mm)	50pcs +4pcs
②		Two In One Nut (10x12mm)	50pcs +4pcs
③		Wood Chipping (6x30mm)	10pcs +2pcs
④		Non-slip pads (50x10x2mm)	10pcs +2pcs
⑤		Backboard Card Strip (1136mm)	1pcs
⑥		Cabinet door rebound device & Screw (3.5x12mm)	6pcs +2pcs 3pcs
⑦		Laminate support nail	12pcs +2pcs
⑧		Hinge & Screw (3.5x12mm)	24pcs +4pcs 4pcs
⑨		Hinge & Screw (3.5x12mm)	12pcs +2pcs 2pcs
⑩		Fixing Clip & Screw (3x16mm)	8pcs +1pcs
		AC/DC Adapter (12V=2.0A)	1pcs

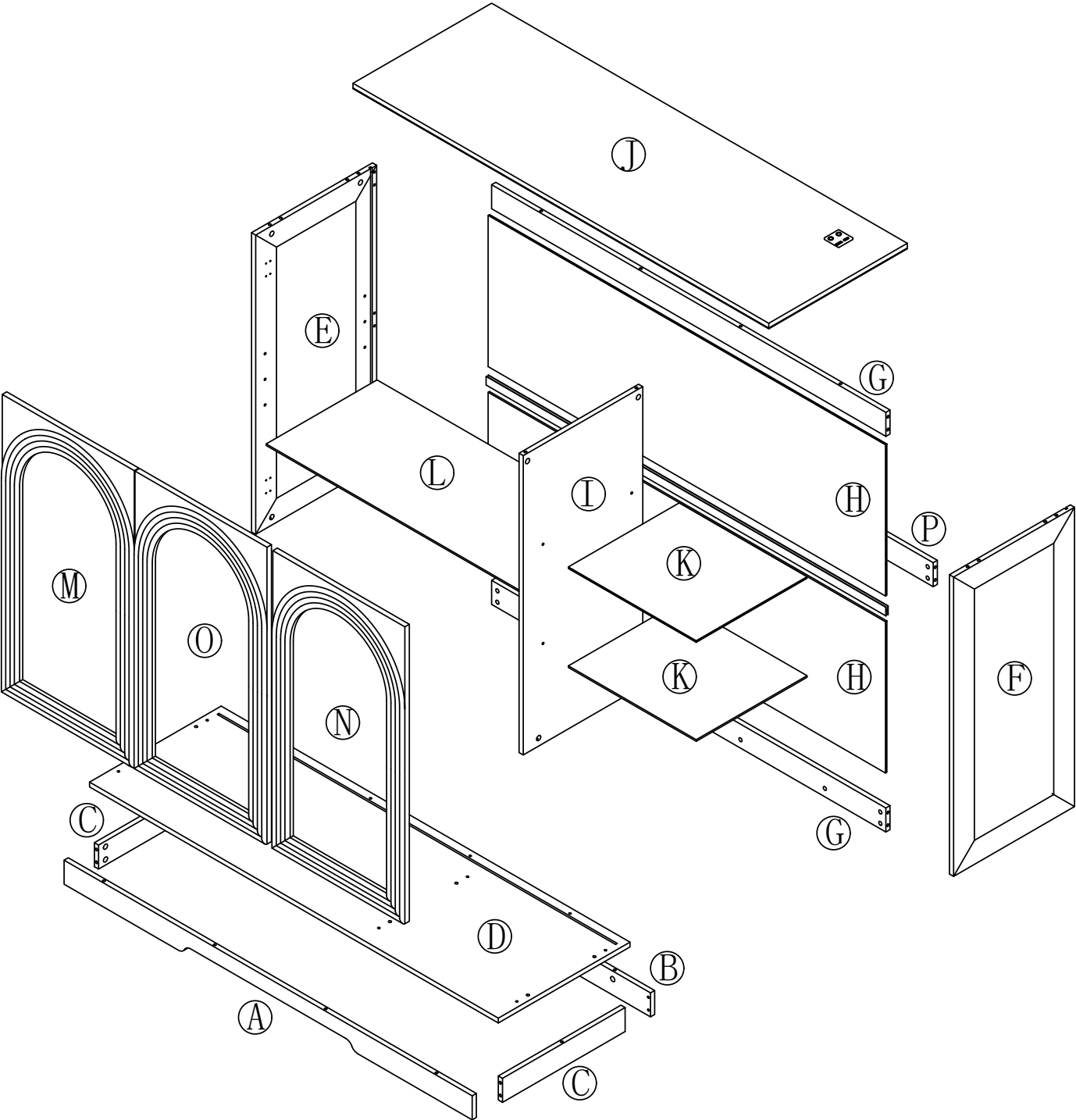


1pcs



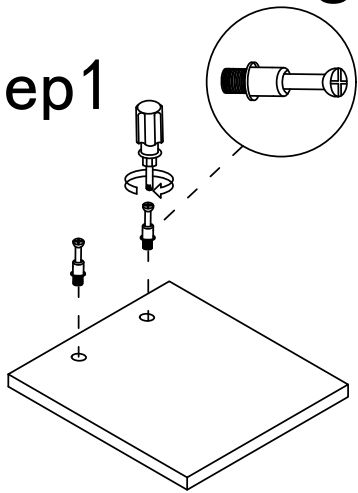
Double-head screwdriver, use as required

Product structure decomposition

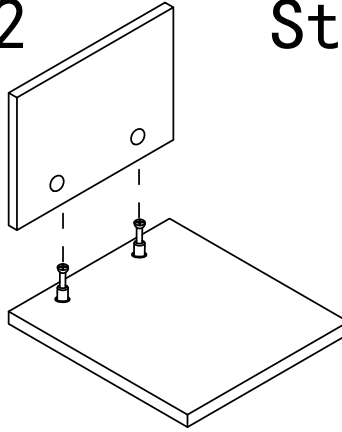


Use parts ① and ②

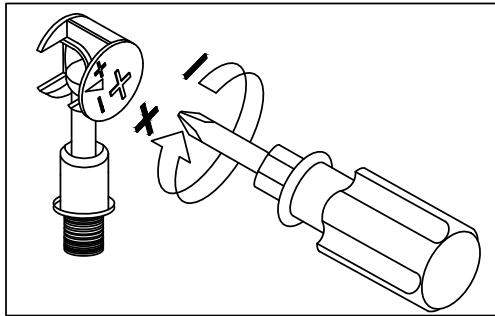
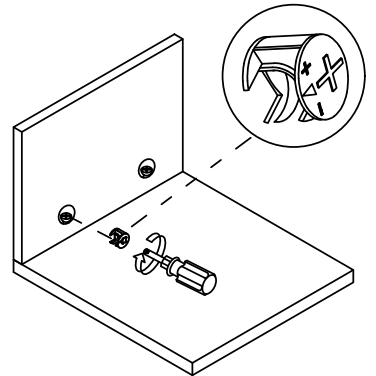
Step1



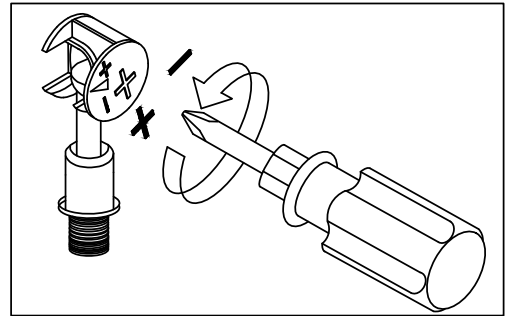
Step2



Step3

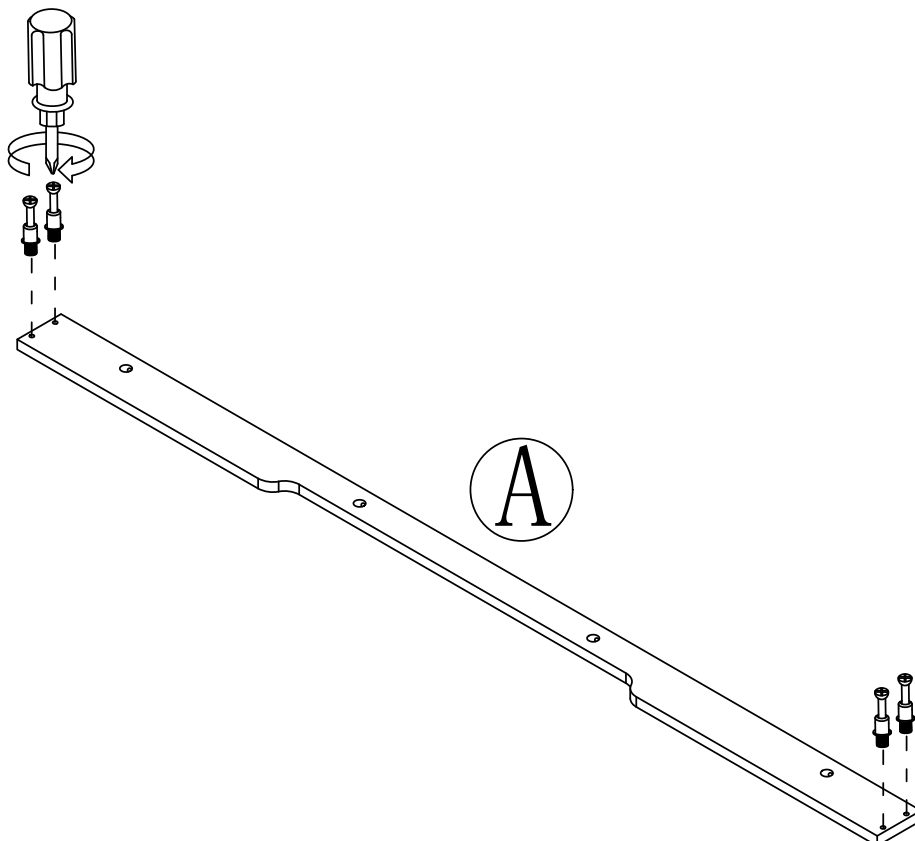
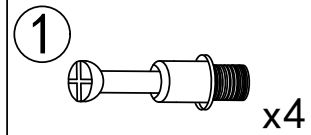


Use a screwdriver to lock in the direction of the "+" sign



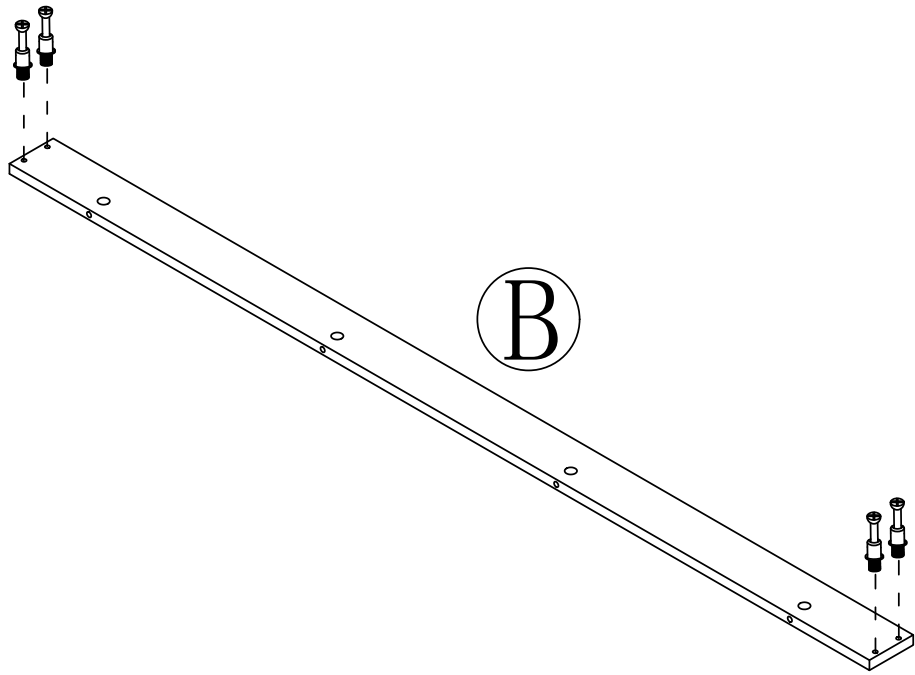
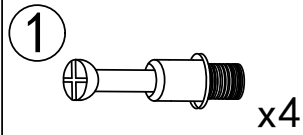
Disassemble along the direction of "-" sign

Step 1

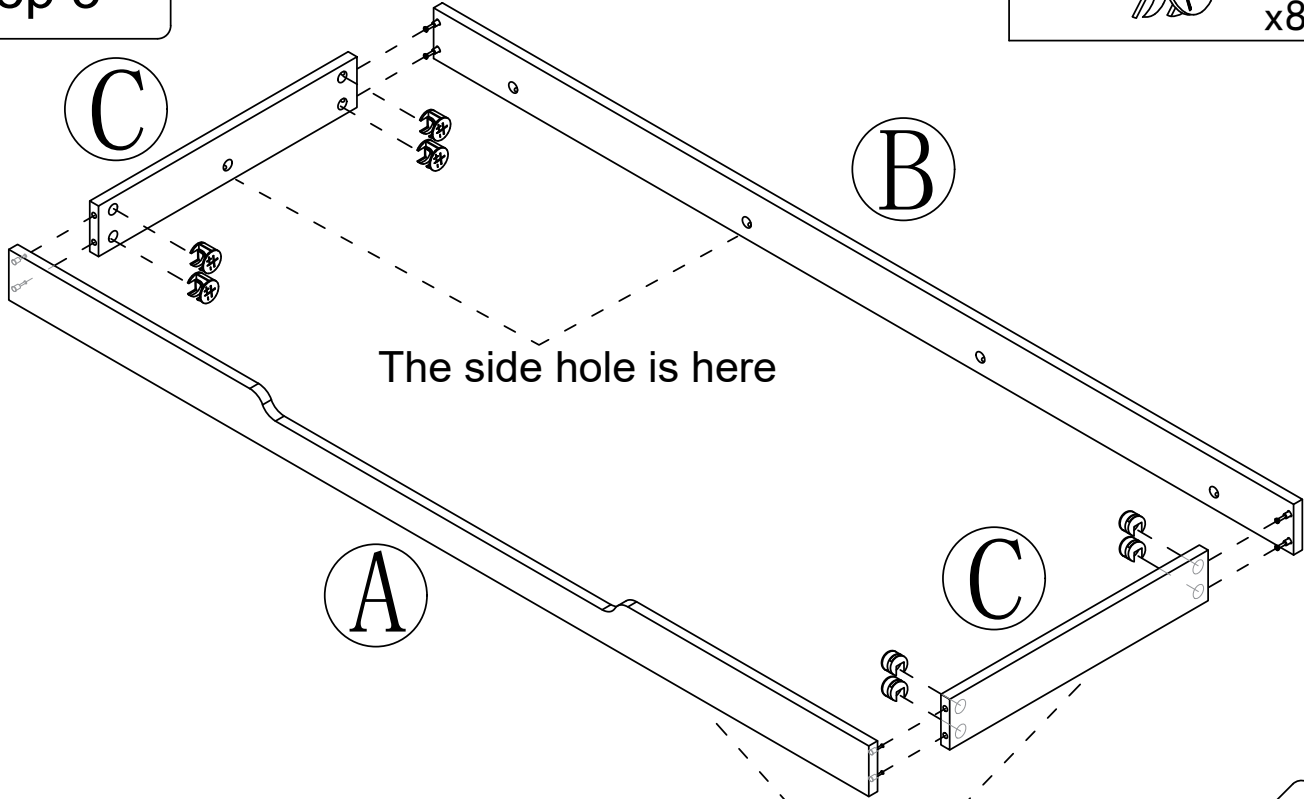


4

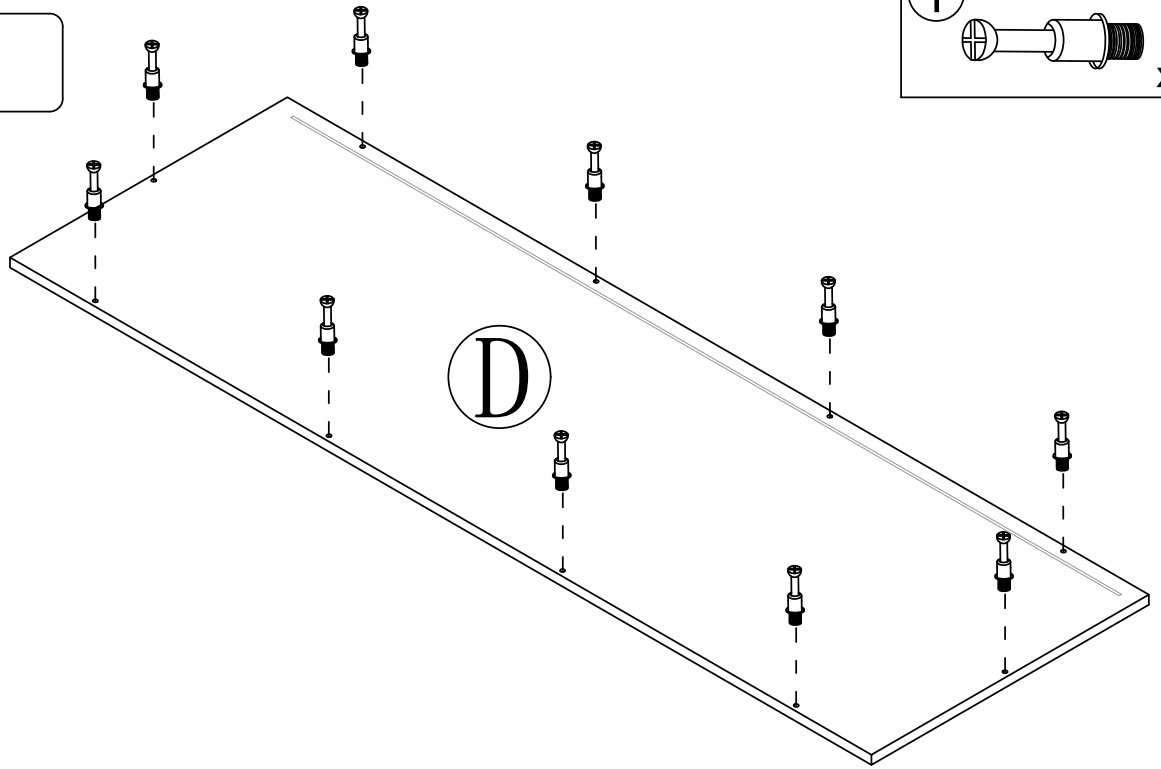
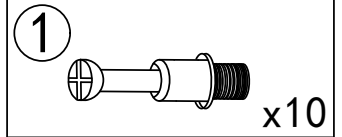
Step 2



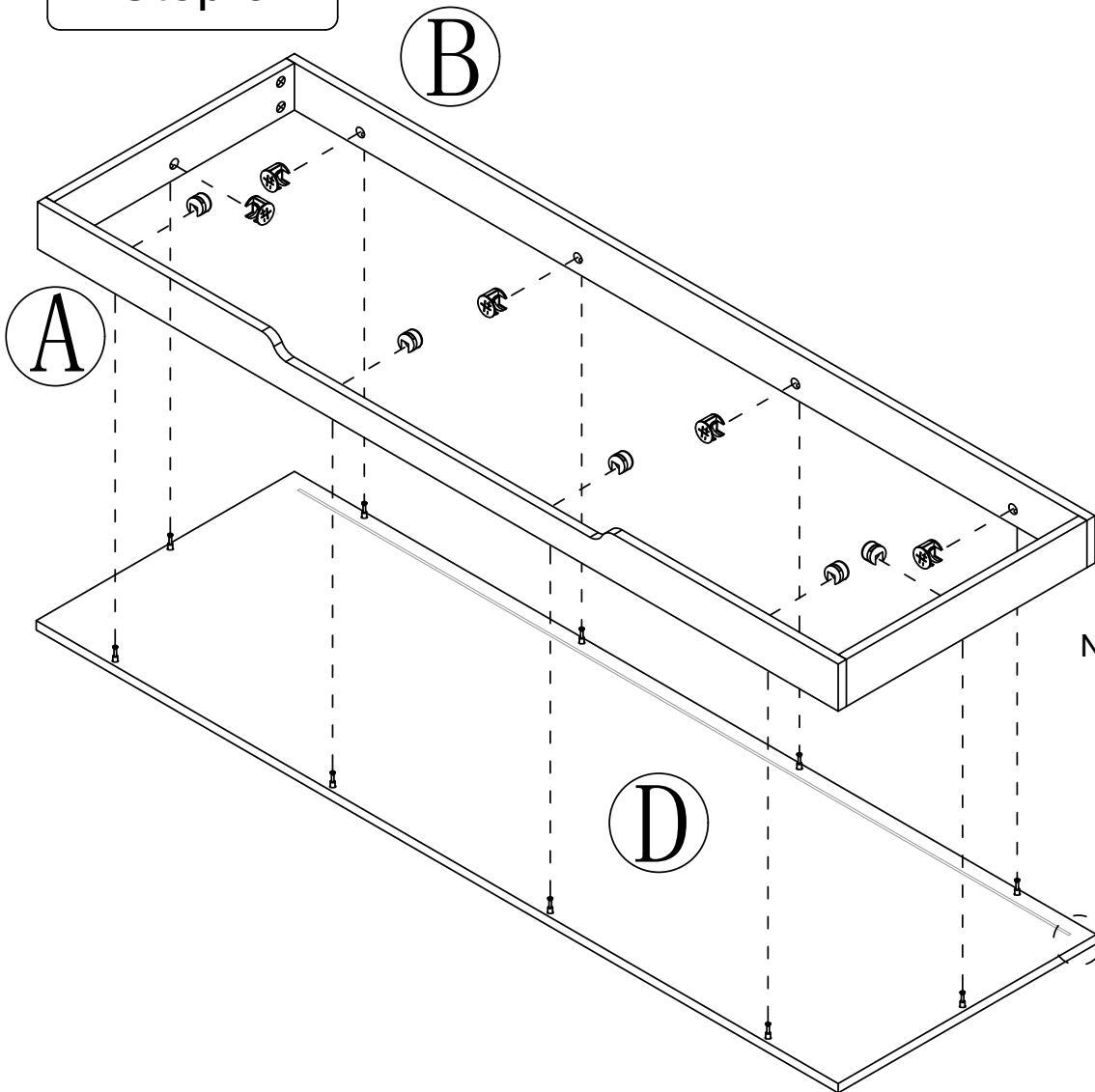
Step 3



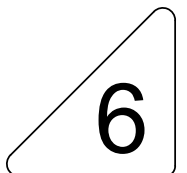
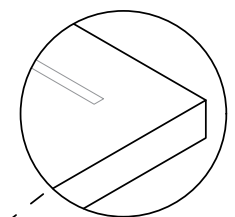
Step 4



Step 5

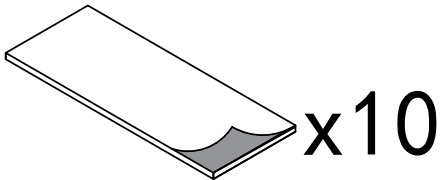


Note the position of the slot

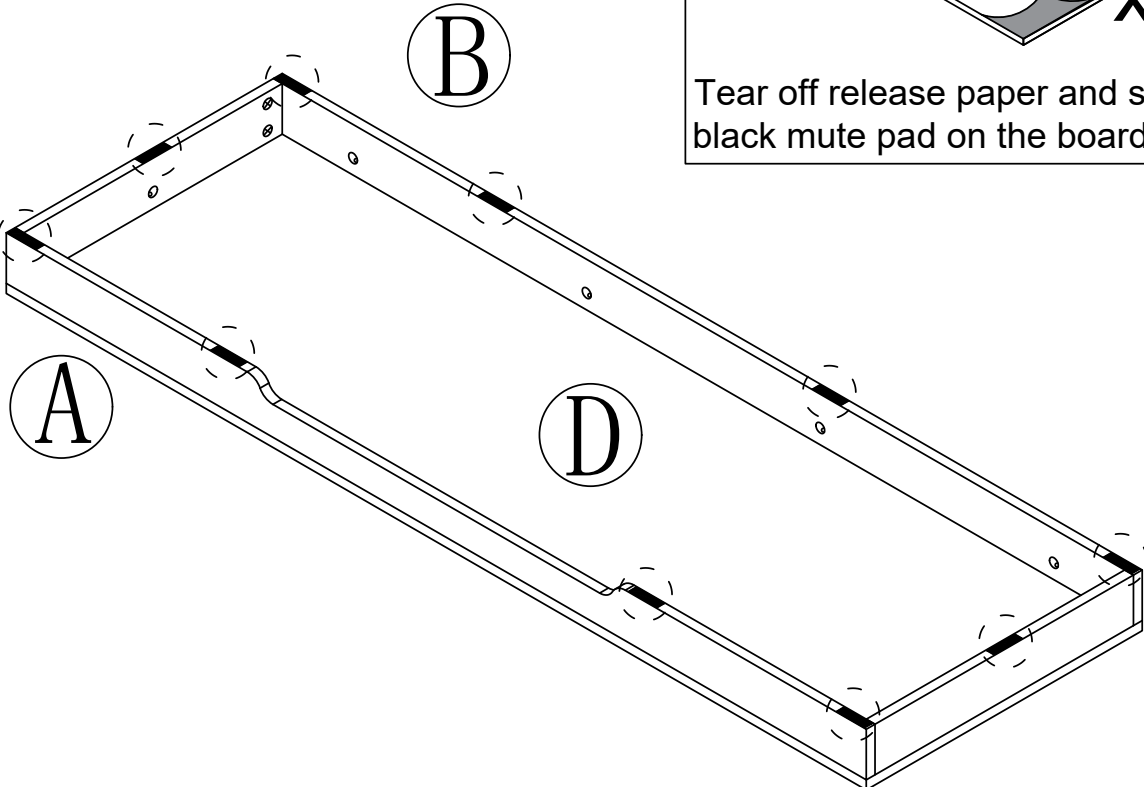


Step 6

4

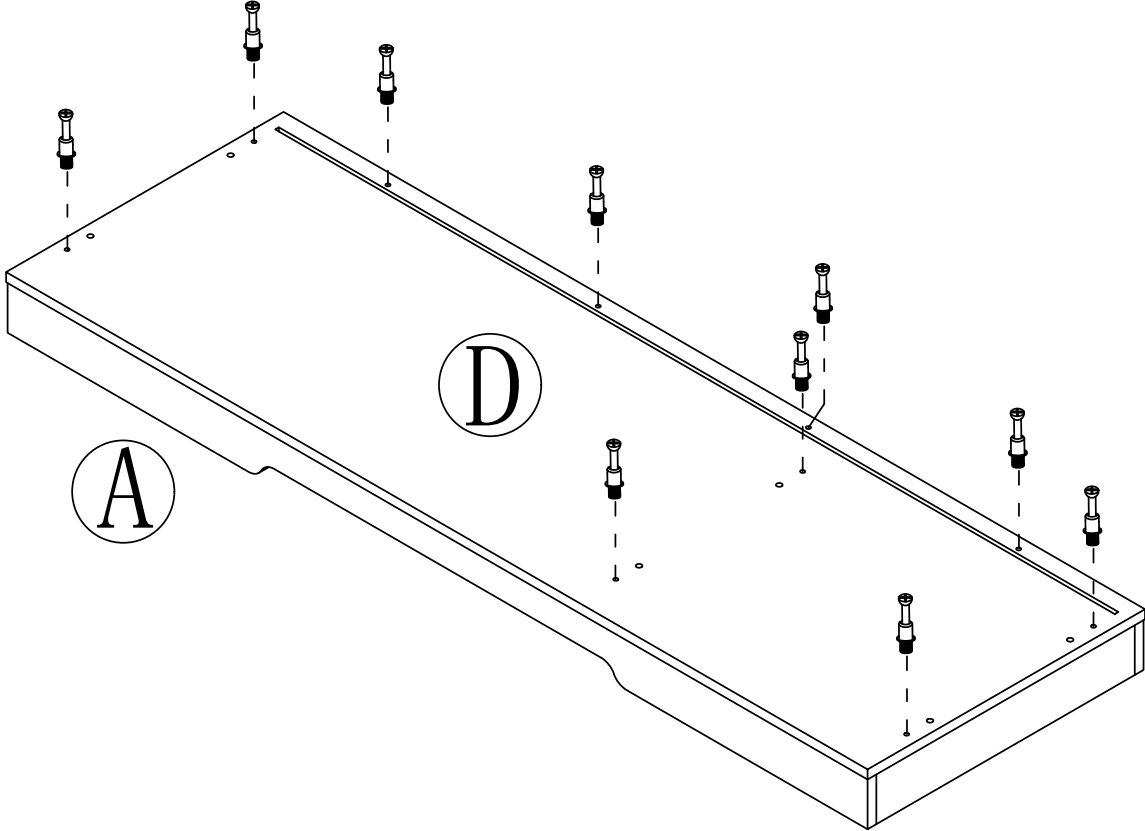
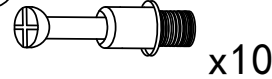


Tear off release paper and stick the black mute pad on the board



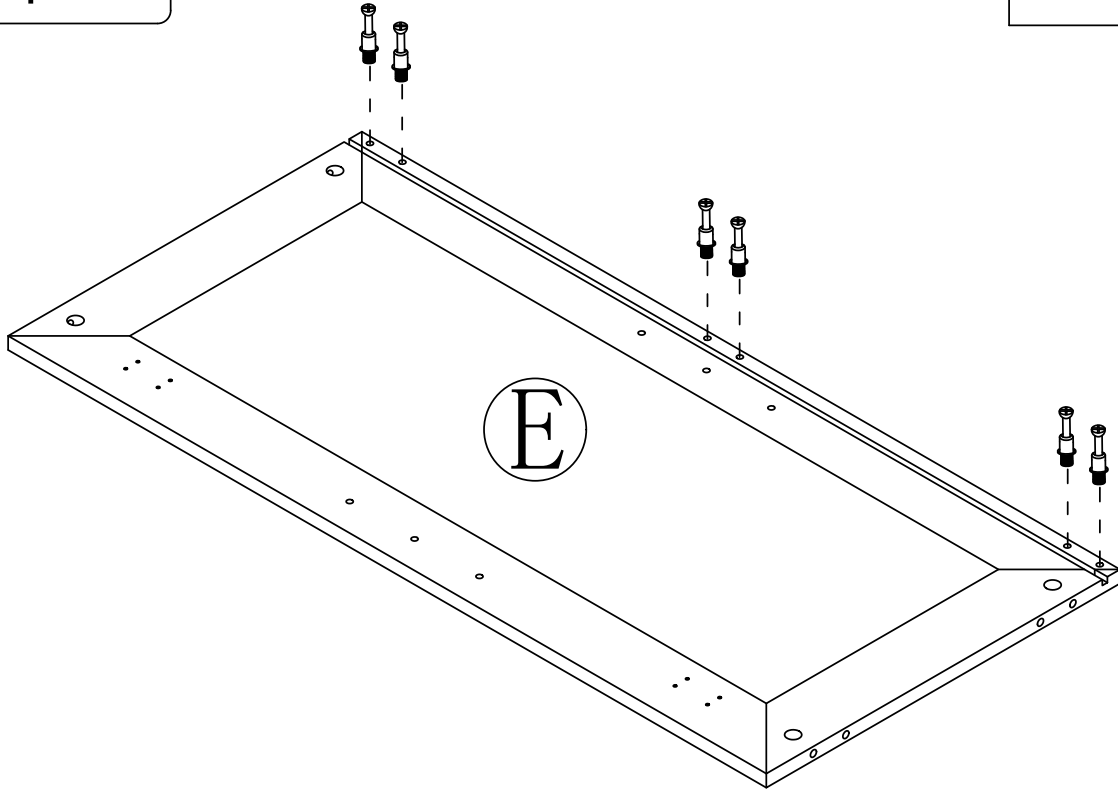
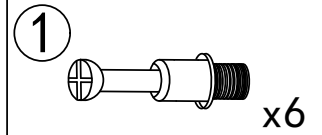
Step 7

1

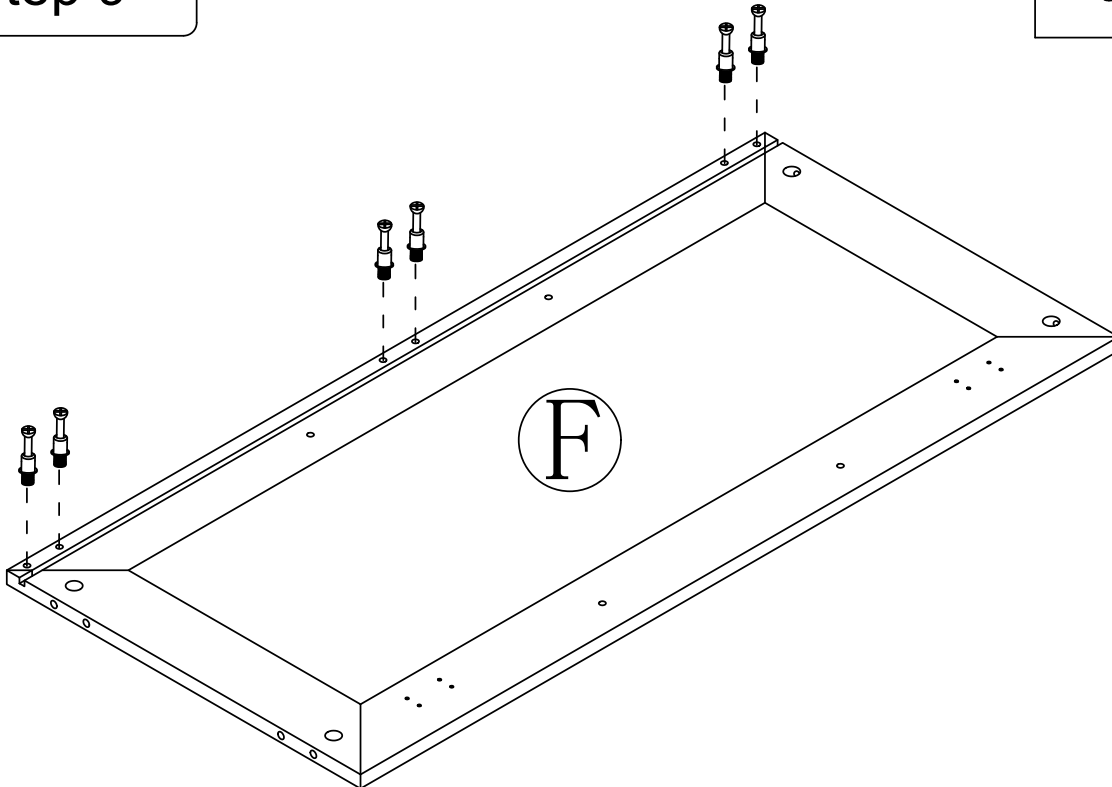
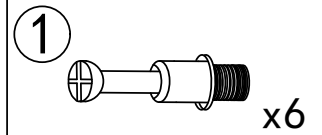


7

Step 8



Step 9



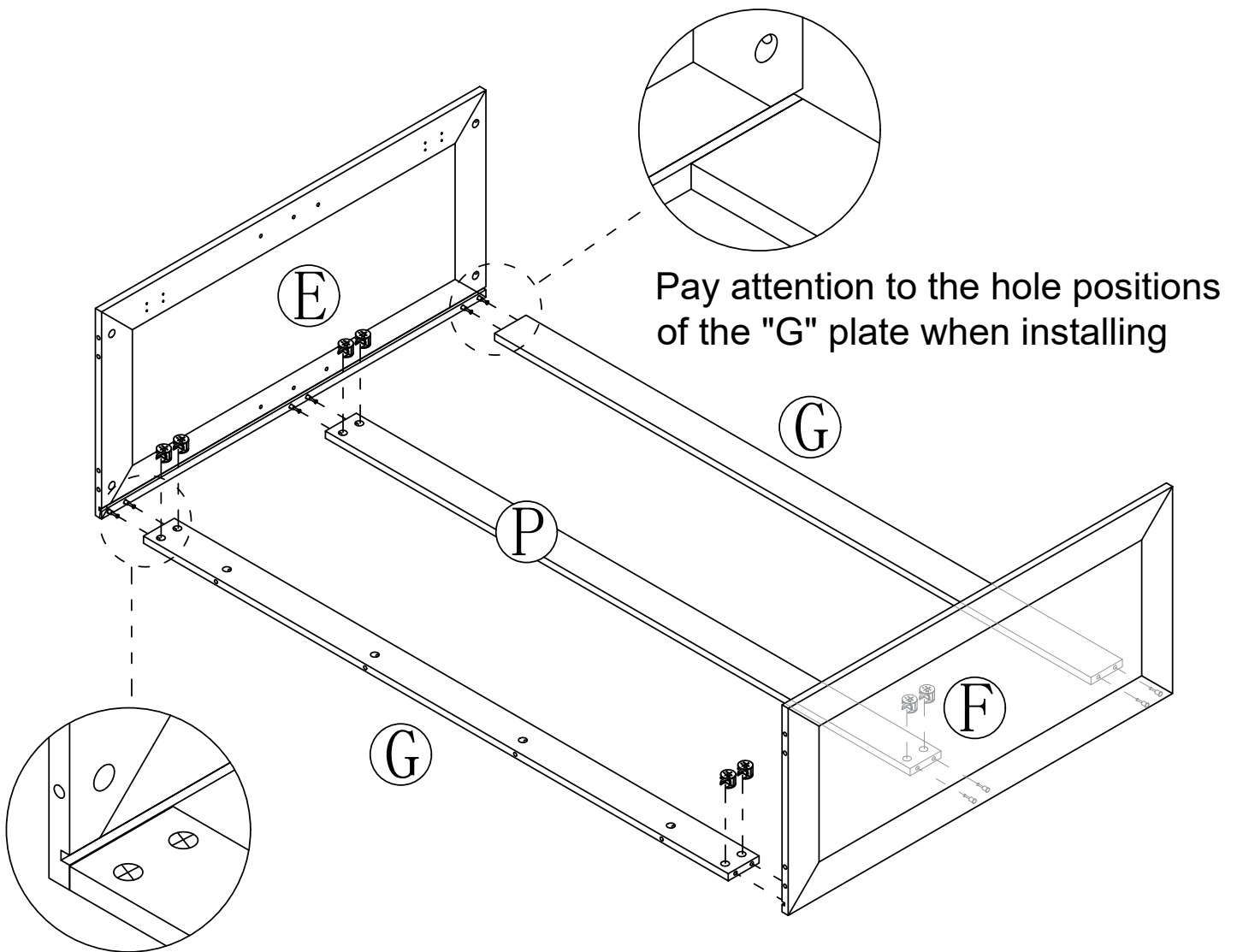
Step 10

2



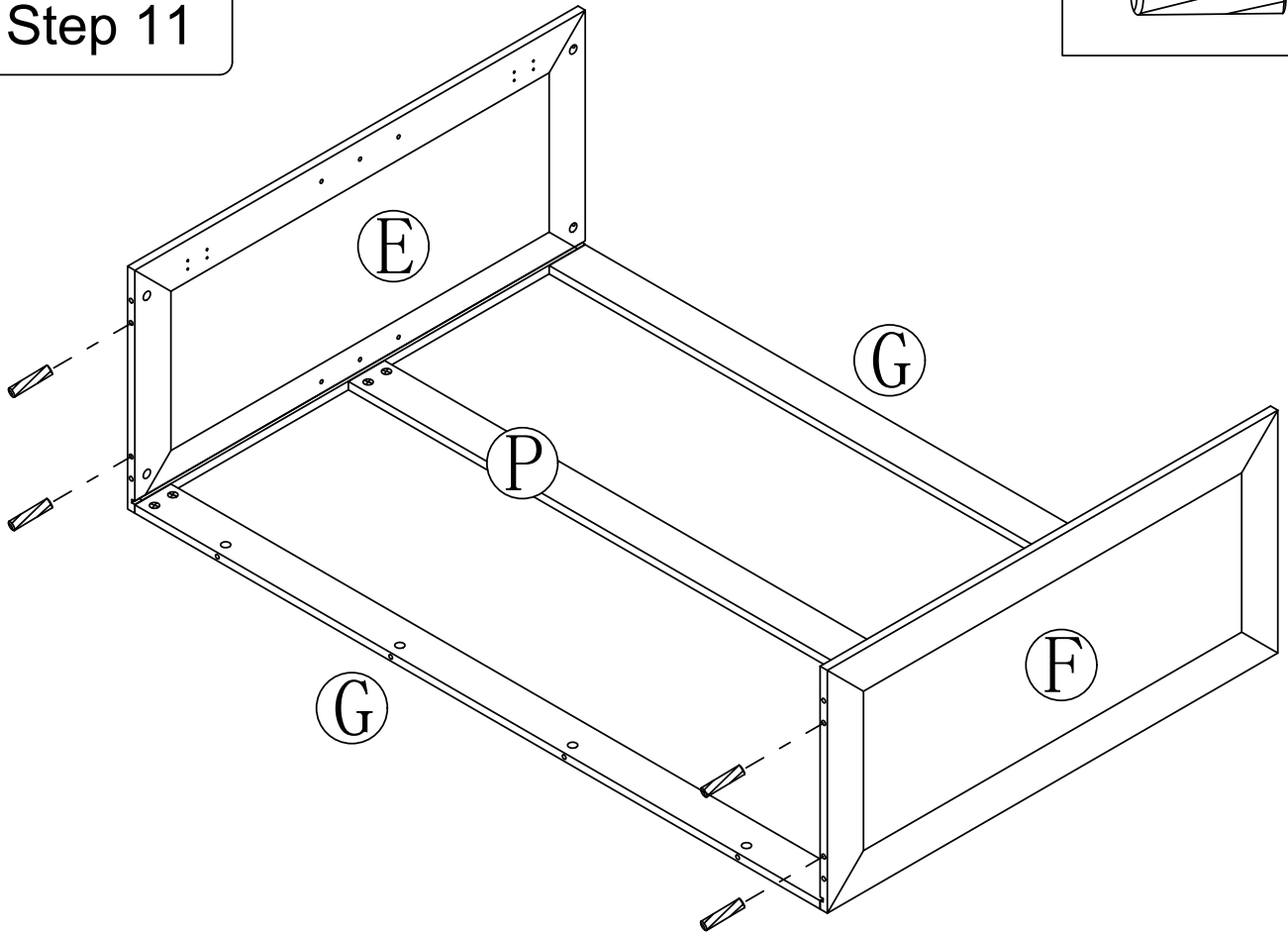
x8

It is recommended that two people work together to install the structural wood panels

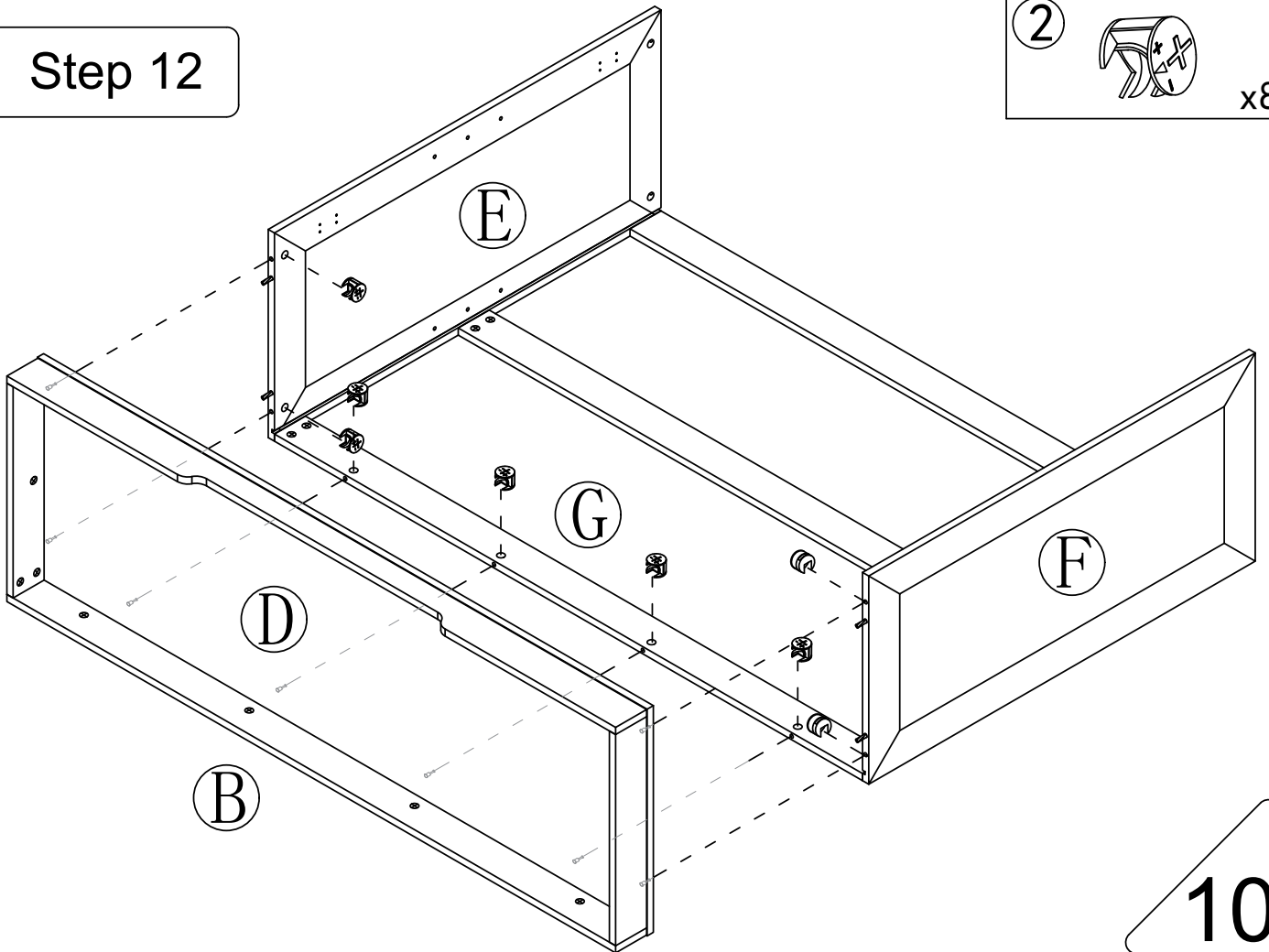


Pay attention to the hole positions of the "G" plate when installing

Step 11



Step 12

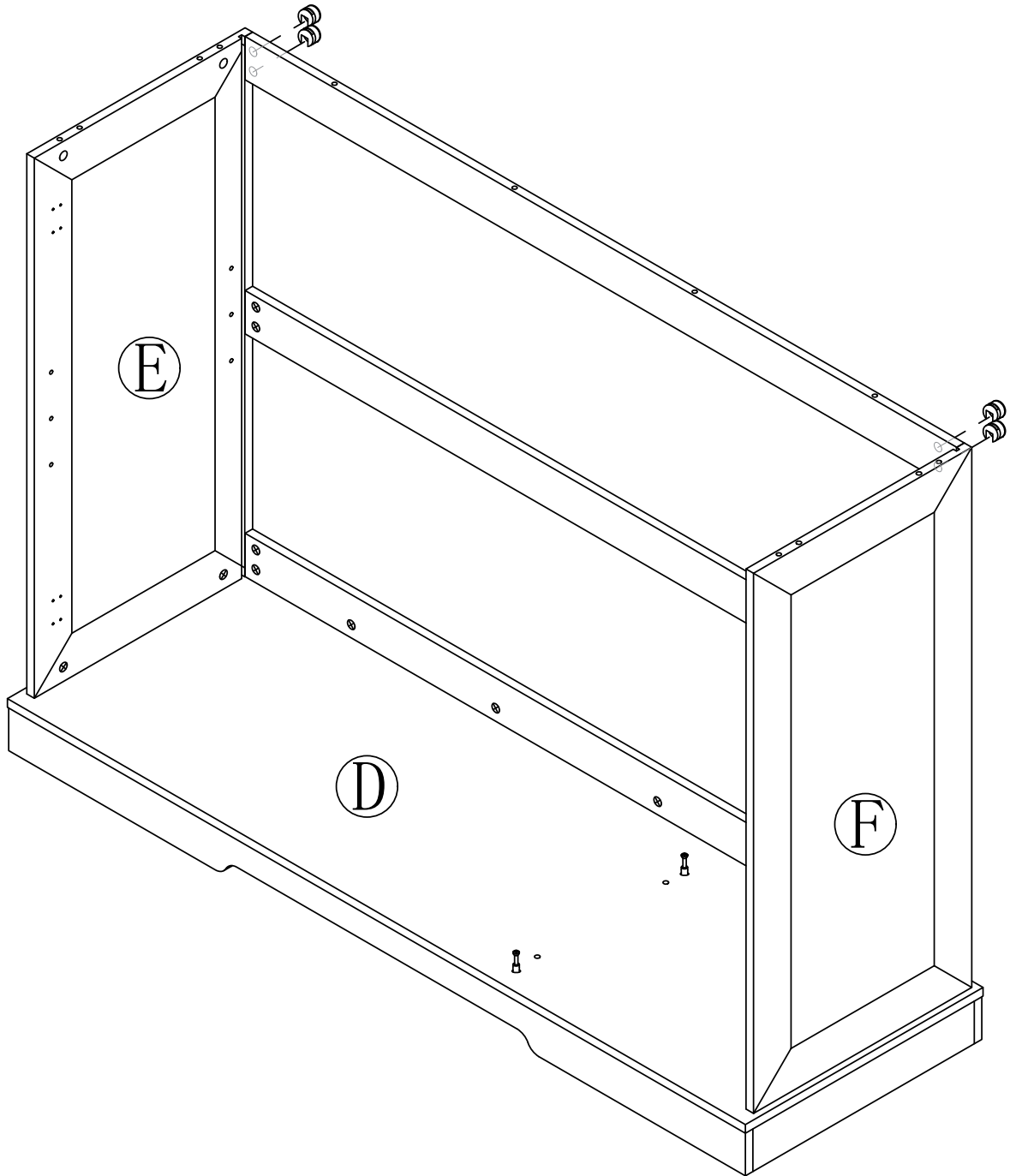


Step 13

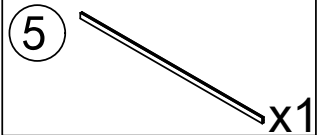
2



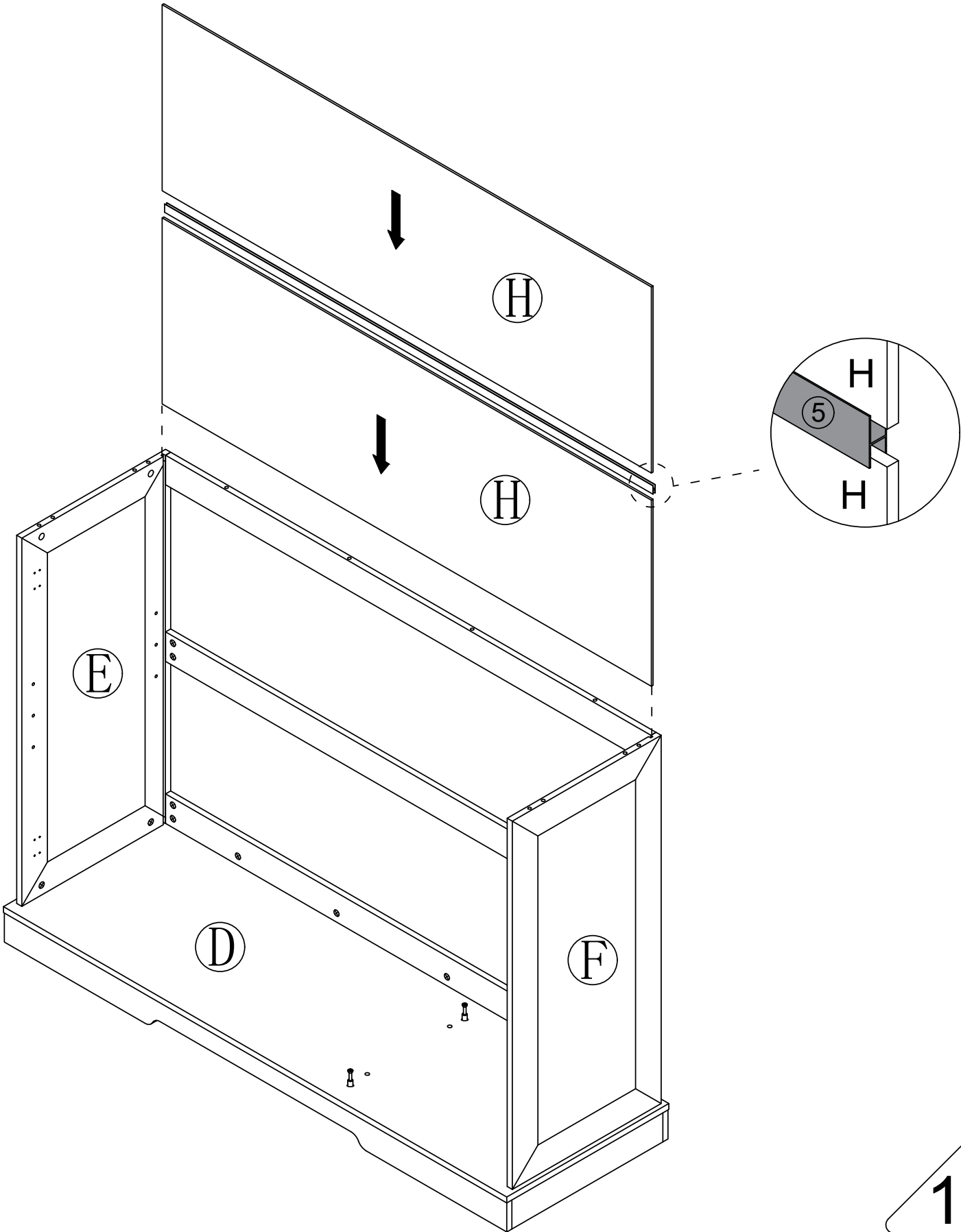
x4



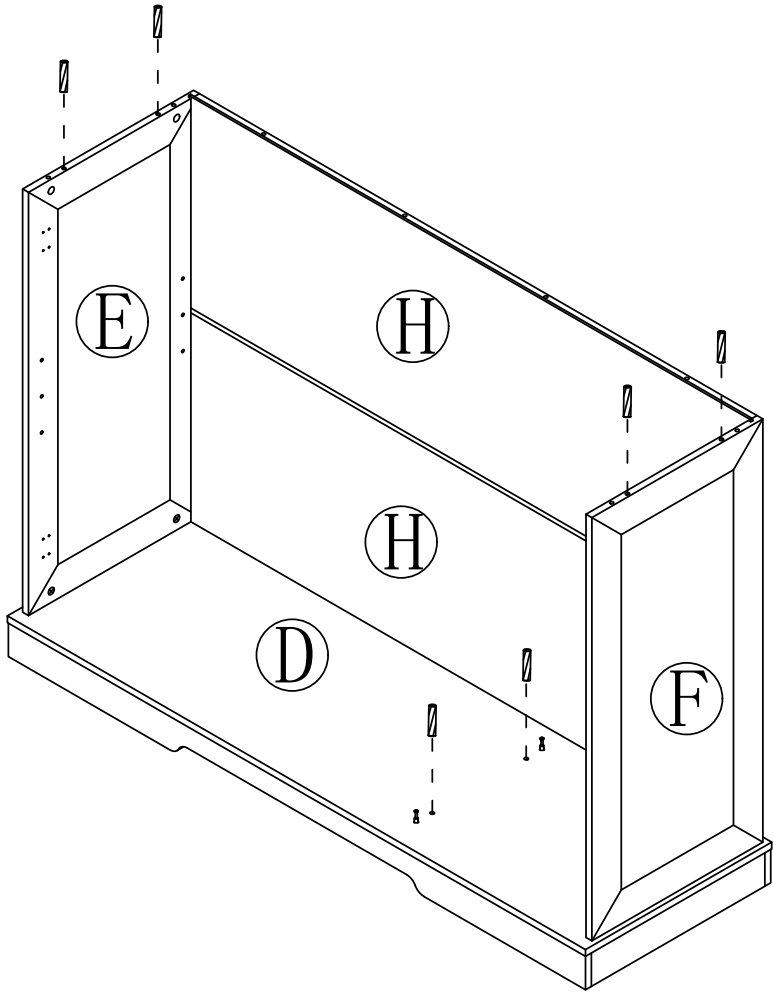
Step 14

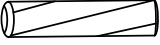


Place the "H" board, Backboard card strip, and "H" board in order

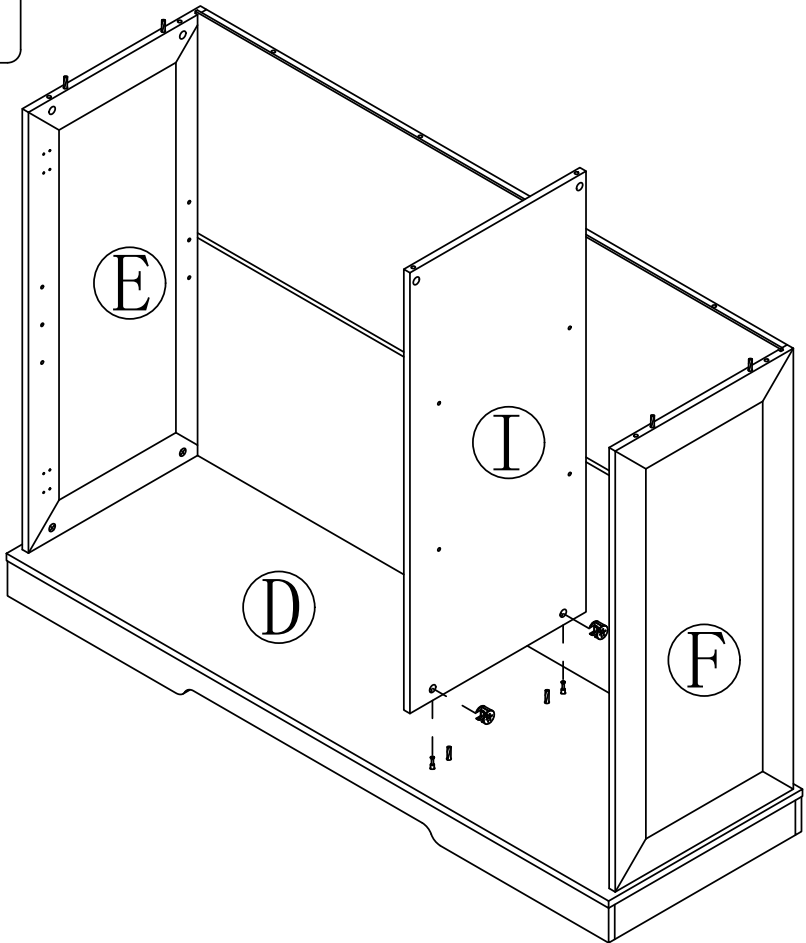


Step 15



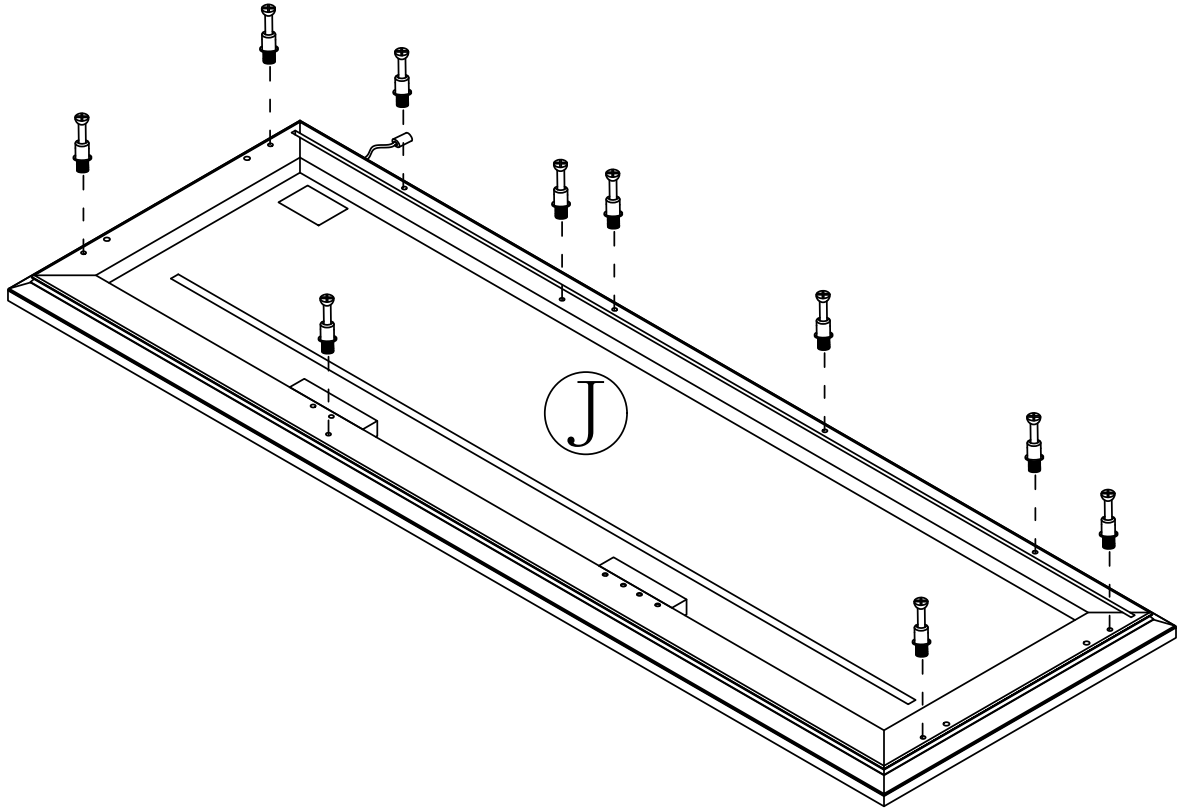
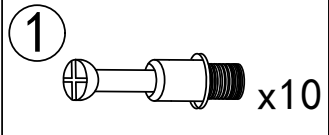
③  x 6

Step 16

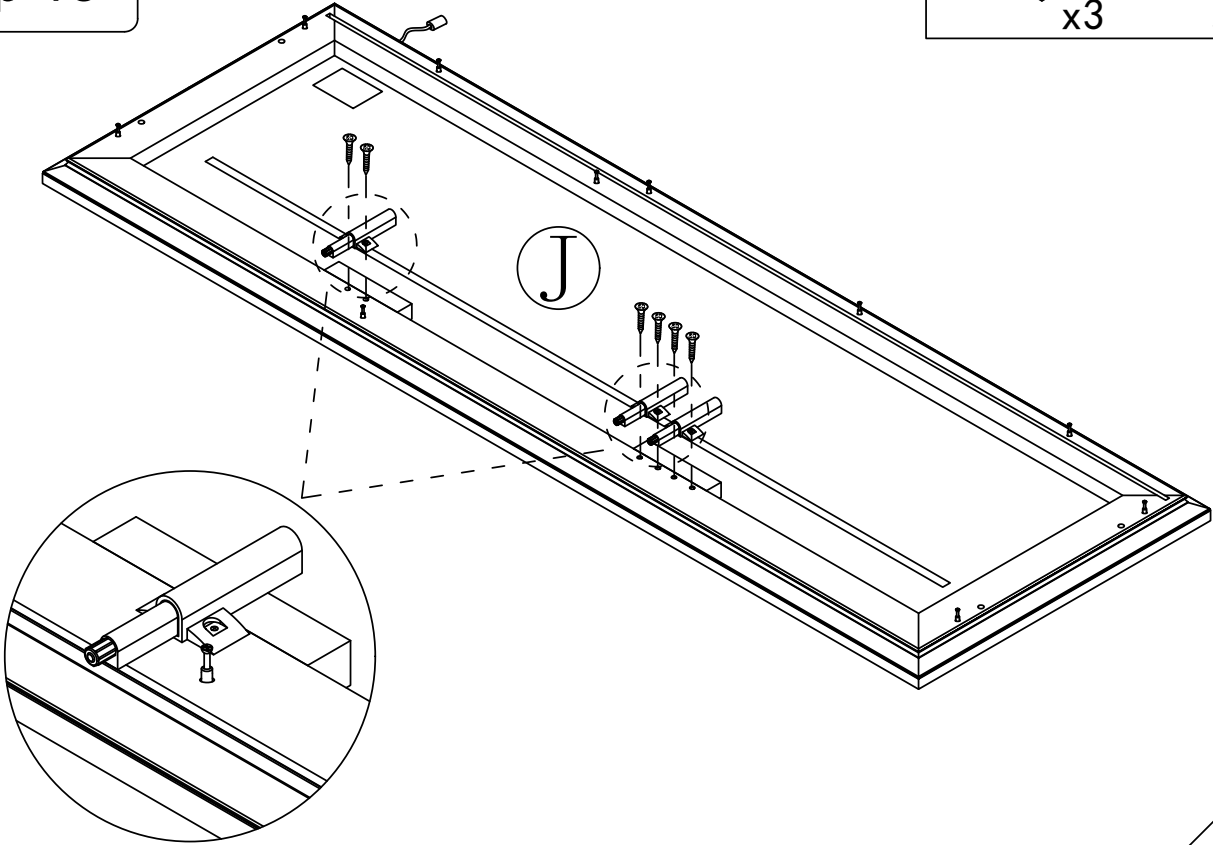
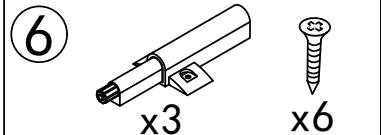


②  x 2

Step 17



Step 18

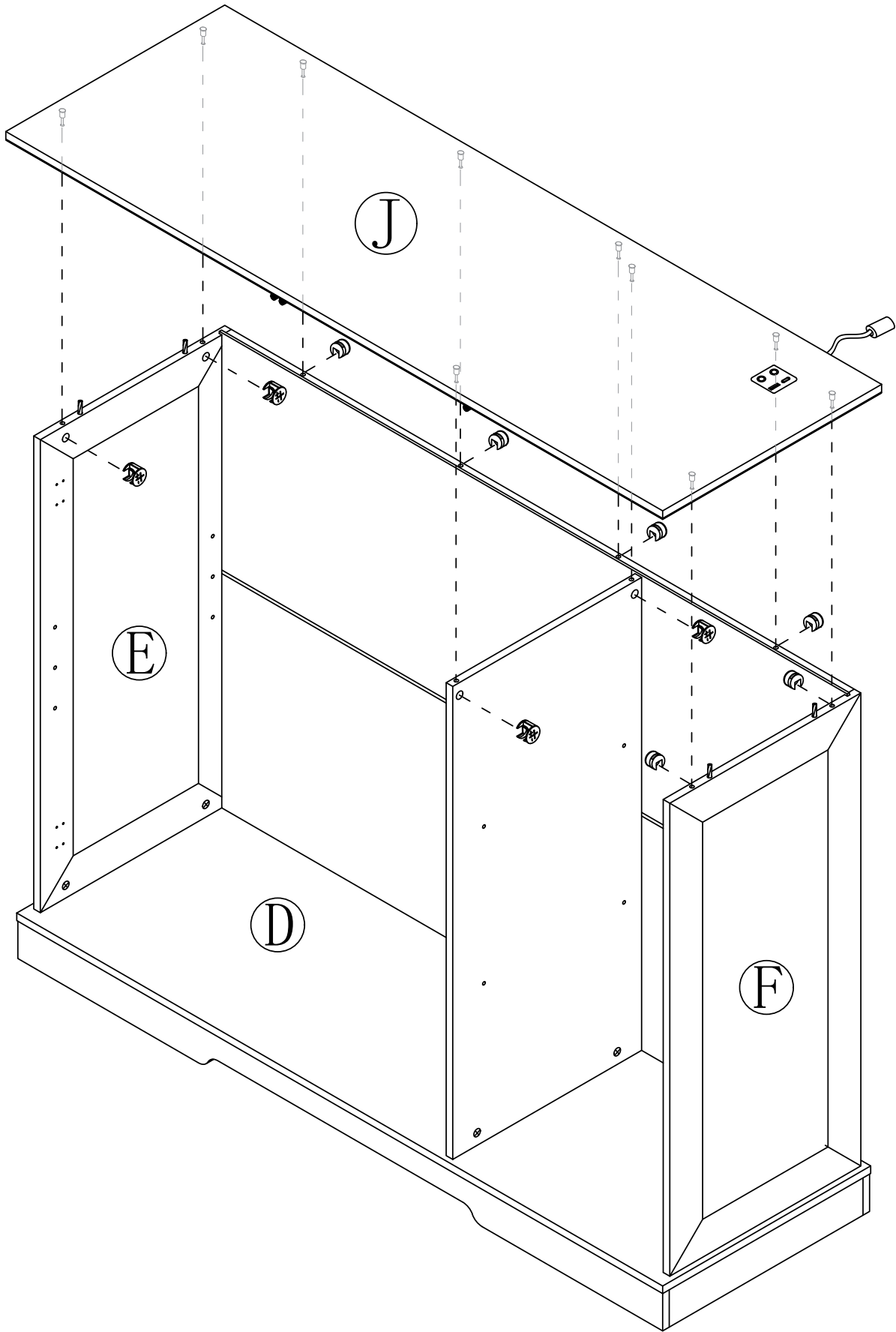


Step 19

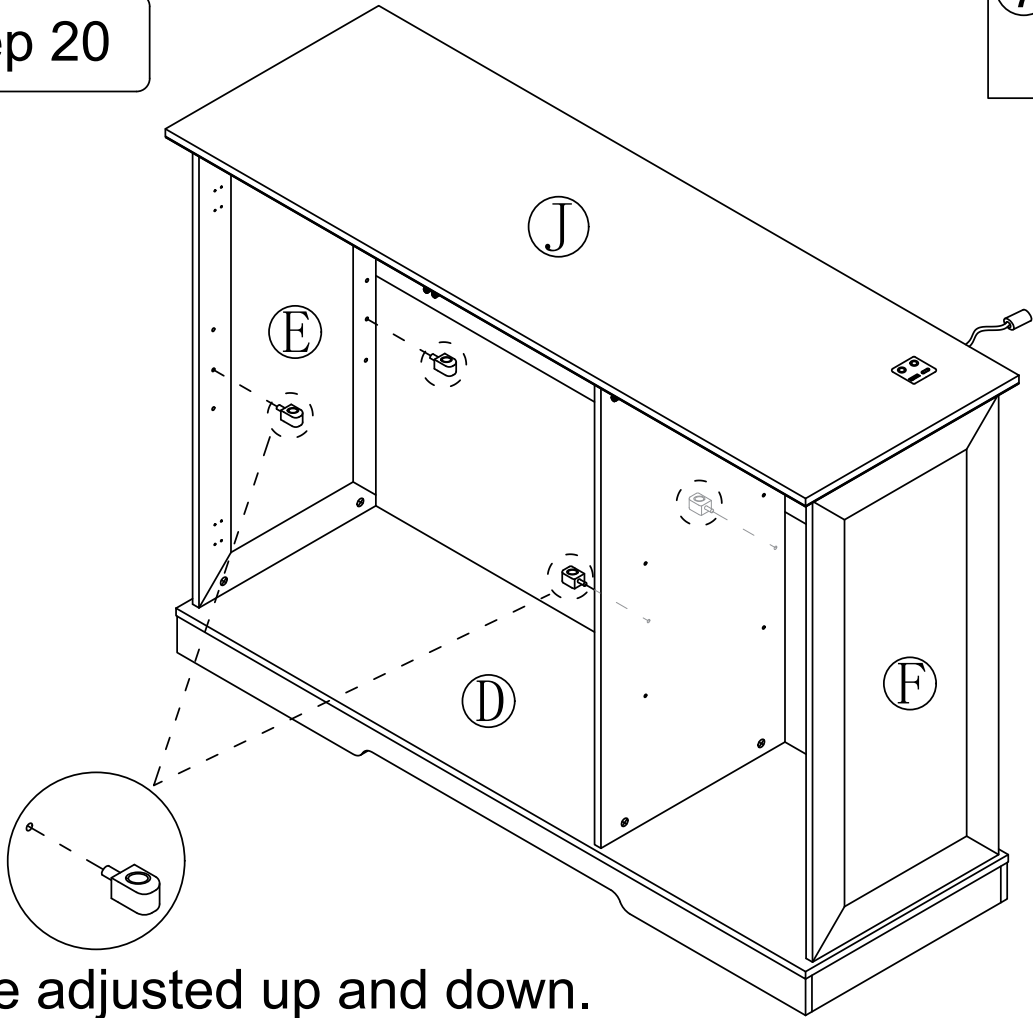
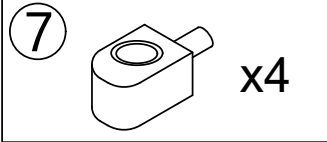
2



x10

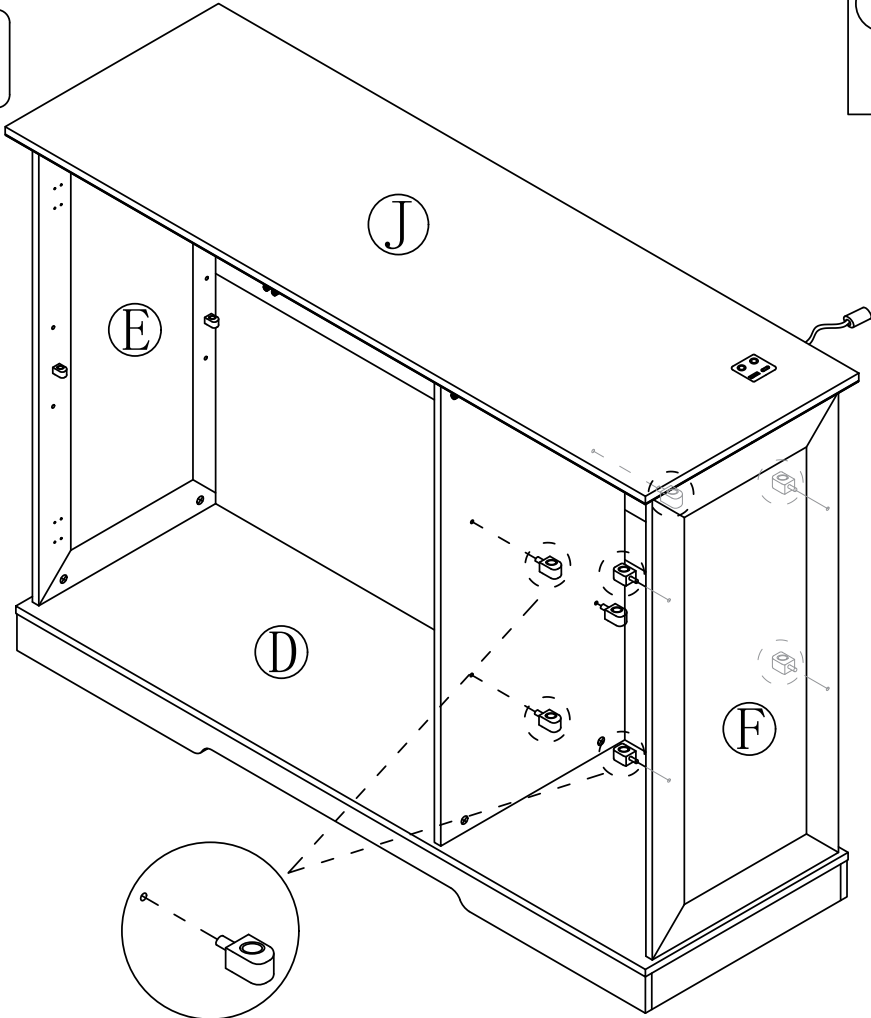
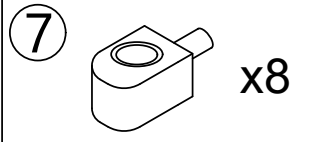


Step 20

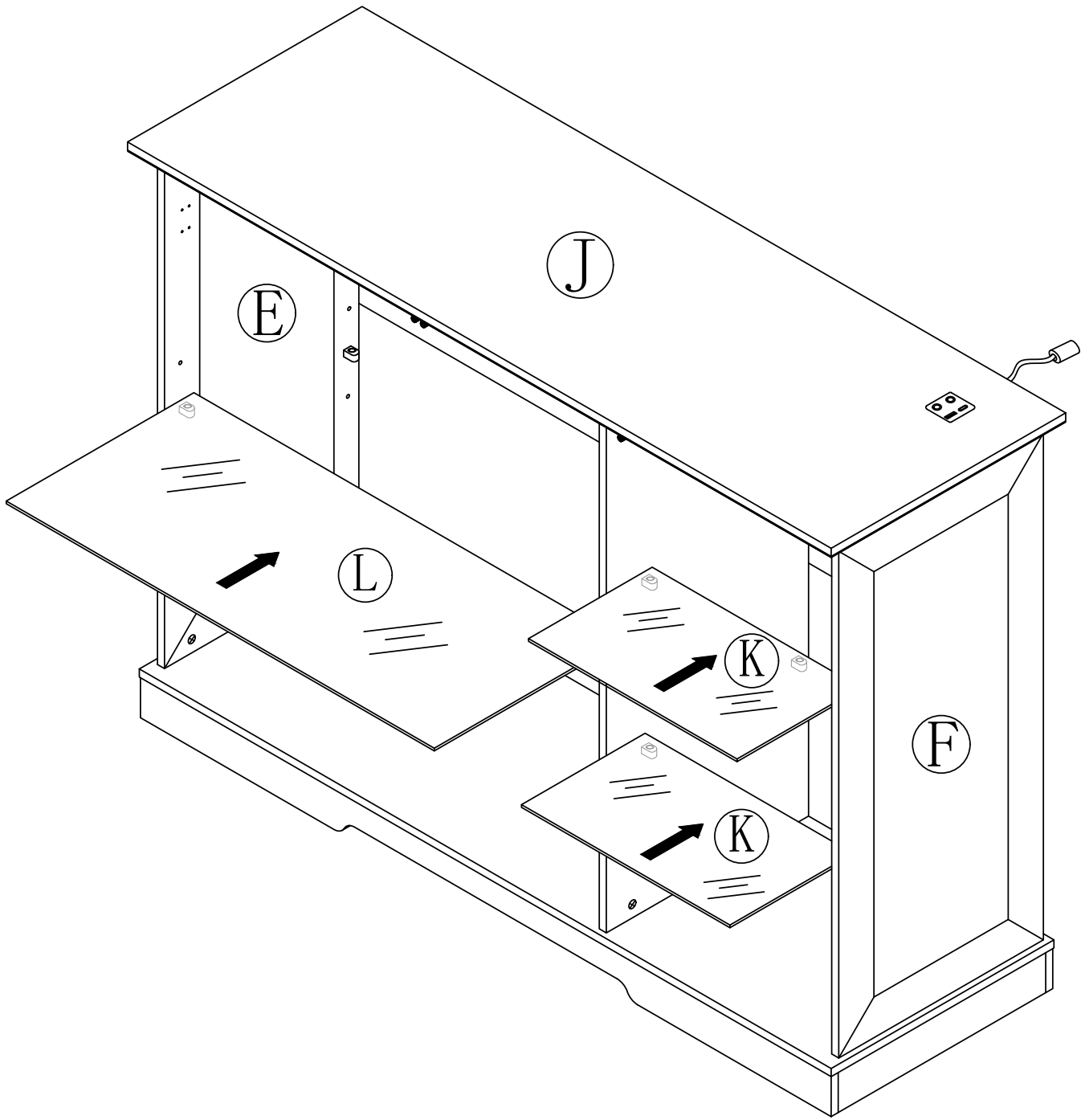


It can be adjusted up and down.

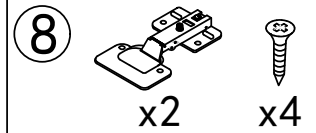
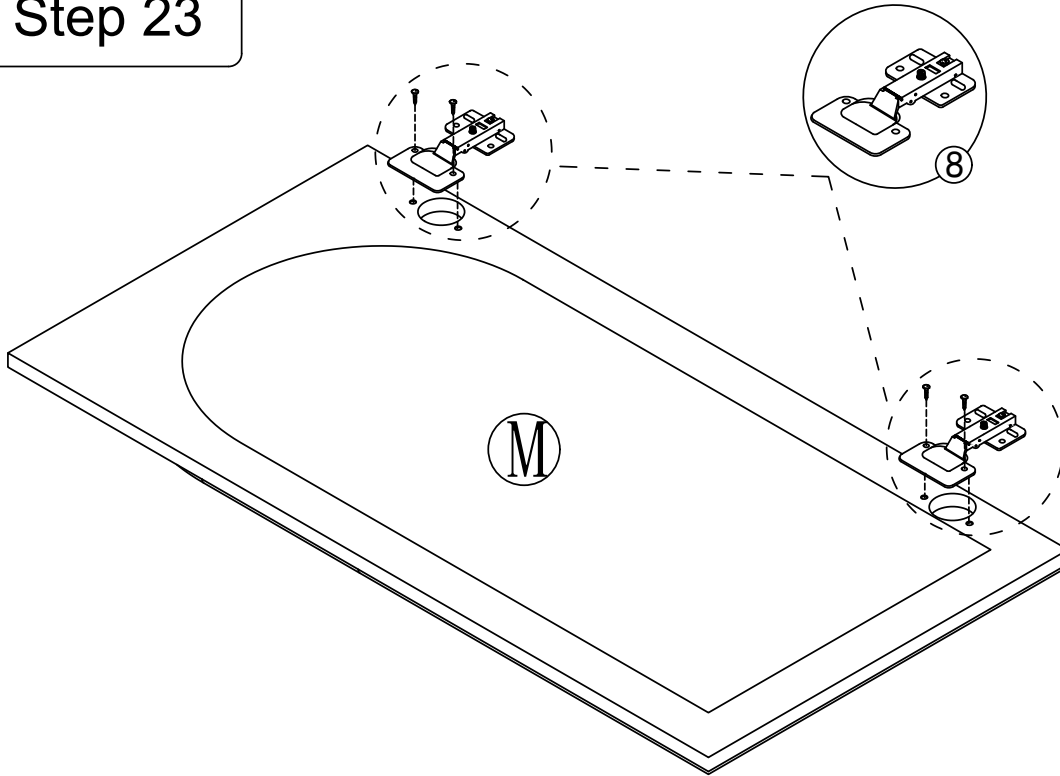
Step 21



Step 22

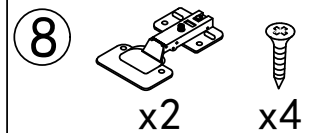
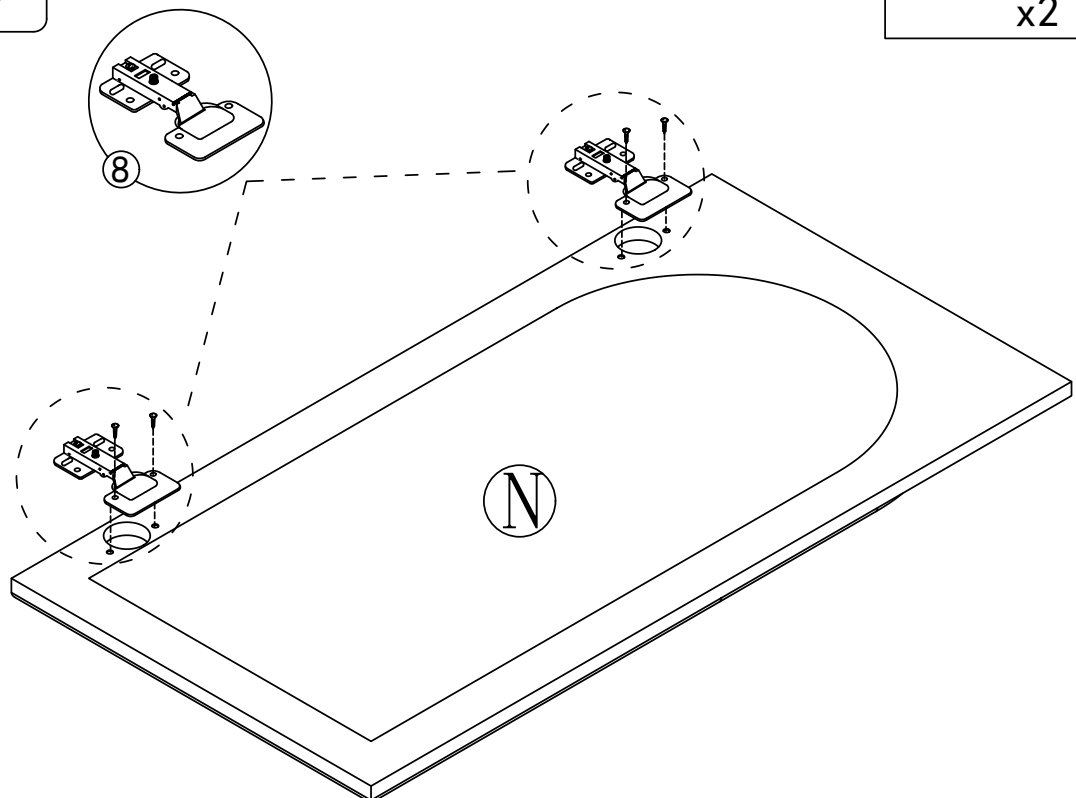


Step 23




Please note that the board part M must use No. 8 accessories; otherwise, it will result in the inability to install

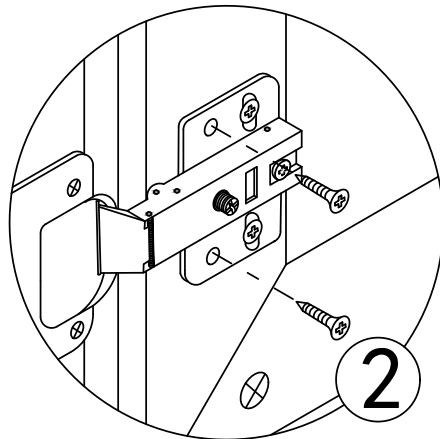
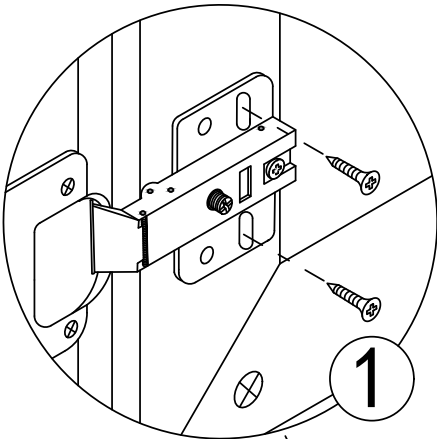
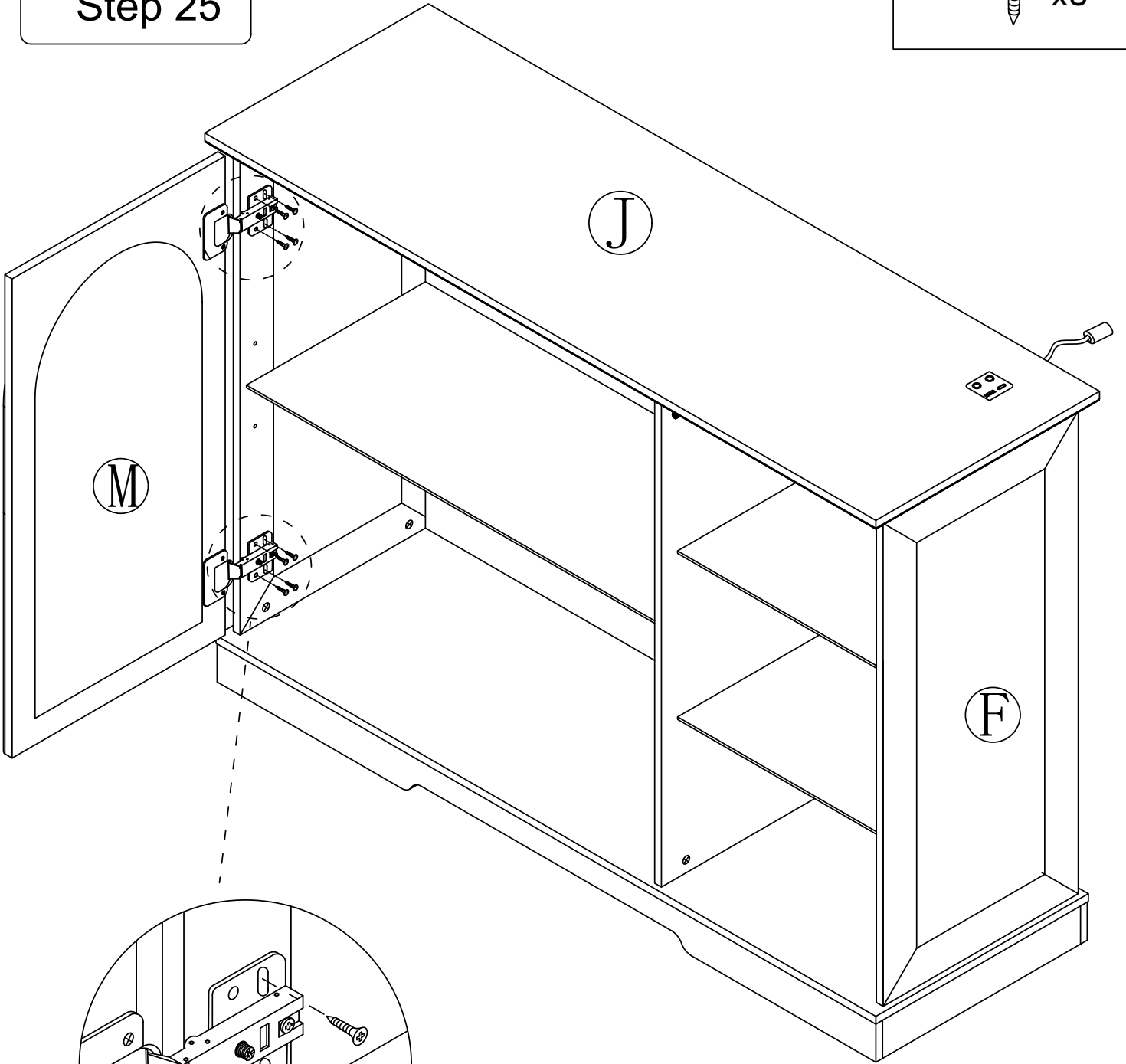
Step 24



Please note that the board part N must use No. 8 accessories; otherwise, it will result in the inability to install


Step 25

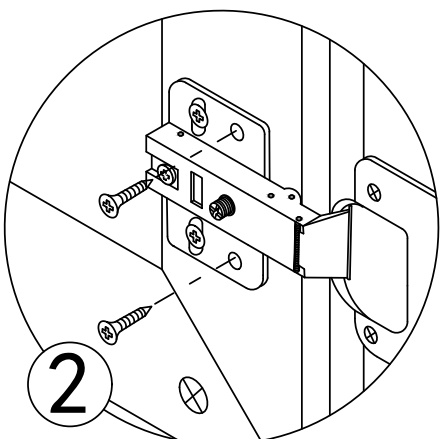
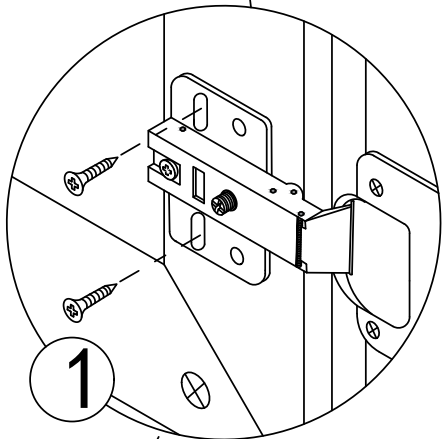
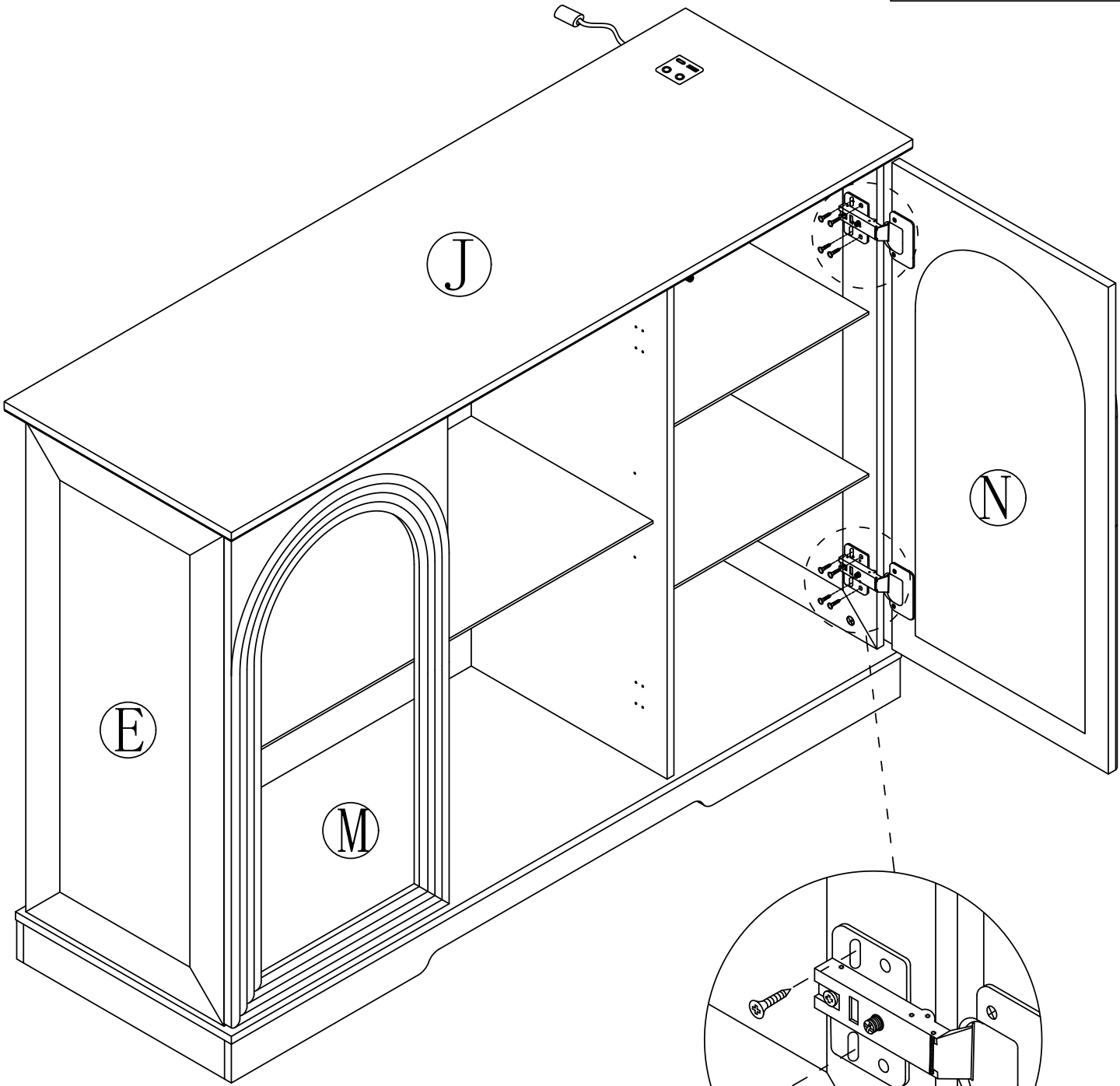
8  x8



First lock the elliptical hole then lock the fixed hole

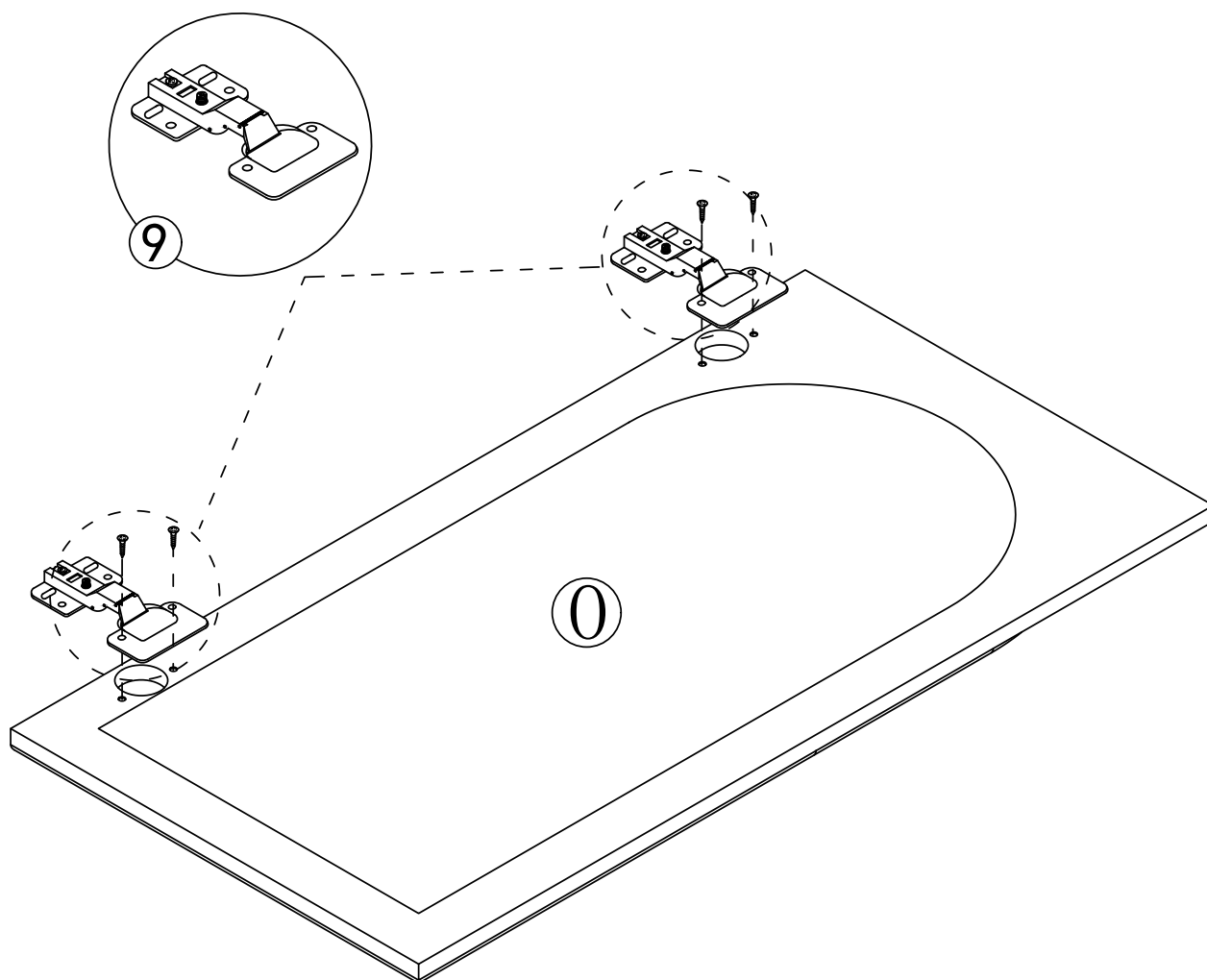
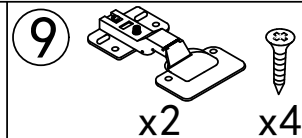
Step 26

8  x8




First lock the elliptical hole then lock the fixed hole

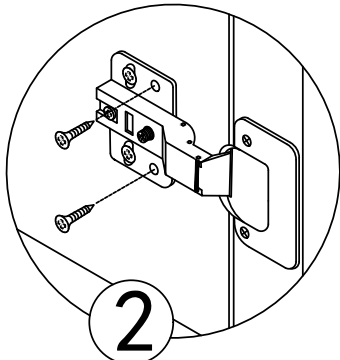
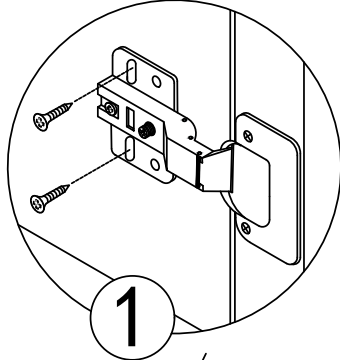
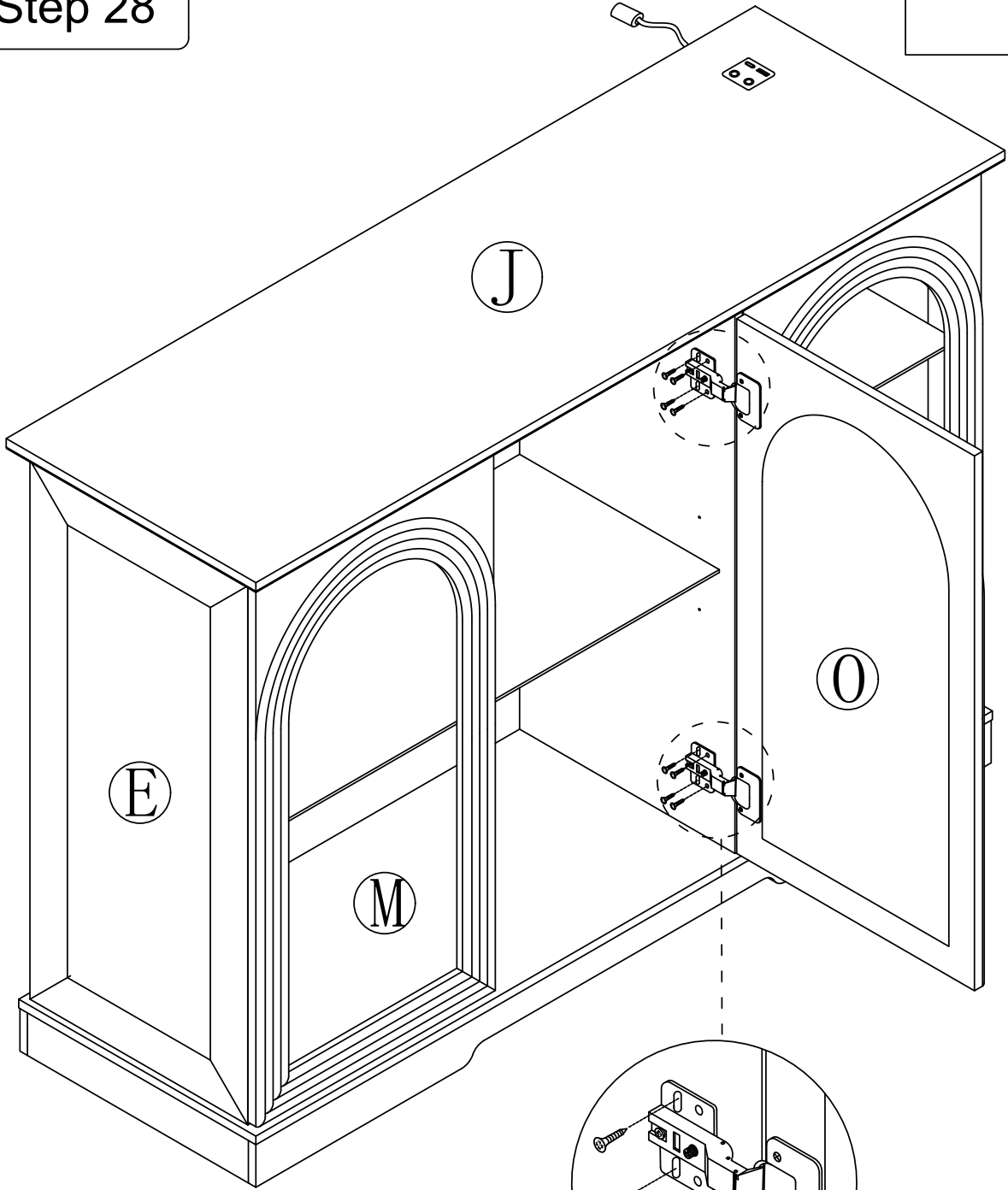
Step 27



Please note that the board part O must use No. 9 accessories; otherwise, it will result in the inability to install

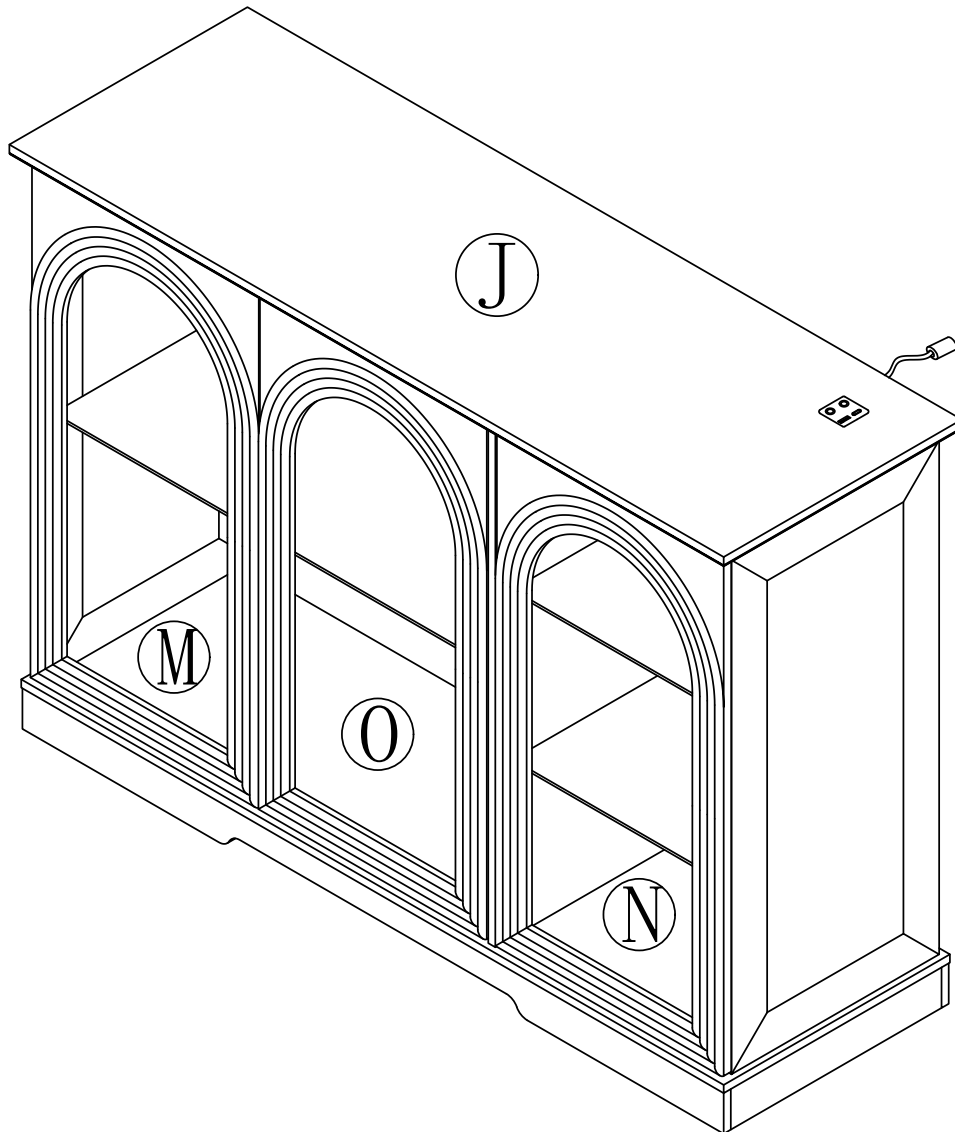
Step 28

9  x8

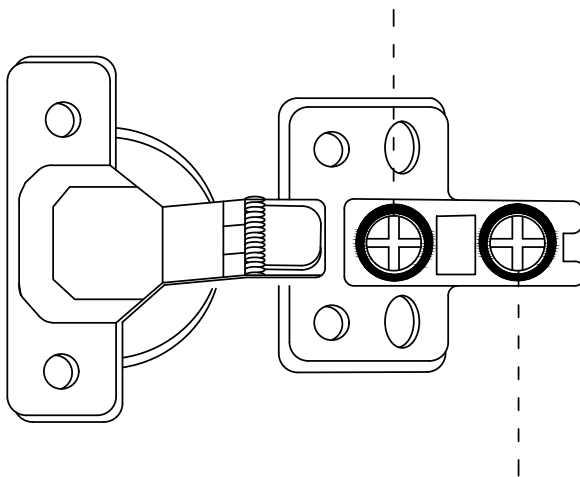


First lock the elliptical hole then lock the fixed hole

Step 29

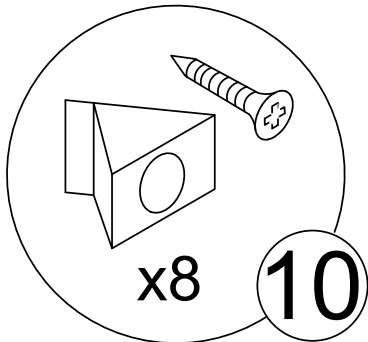
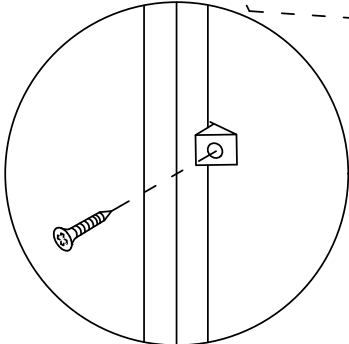
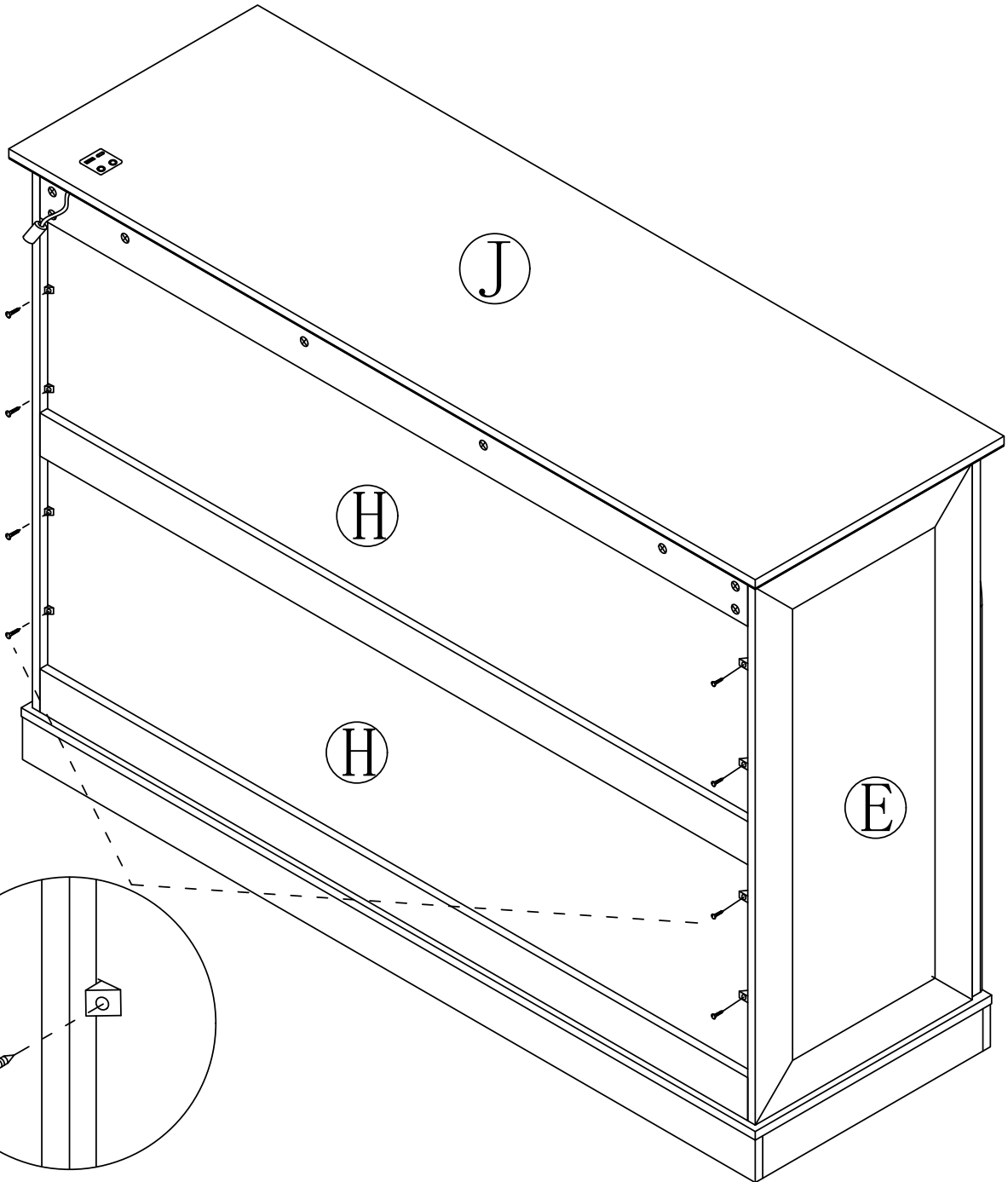
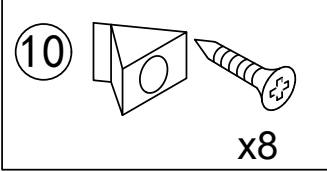


Turning this screw can effectively adjust the size of the door gap.

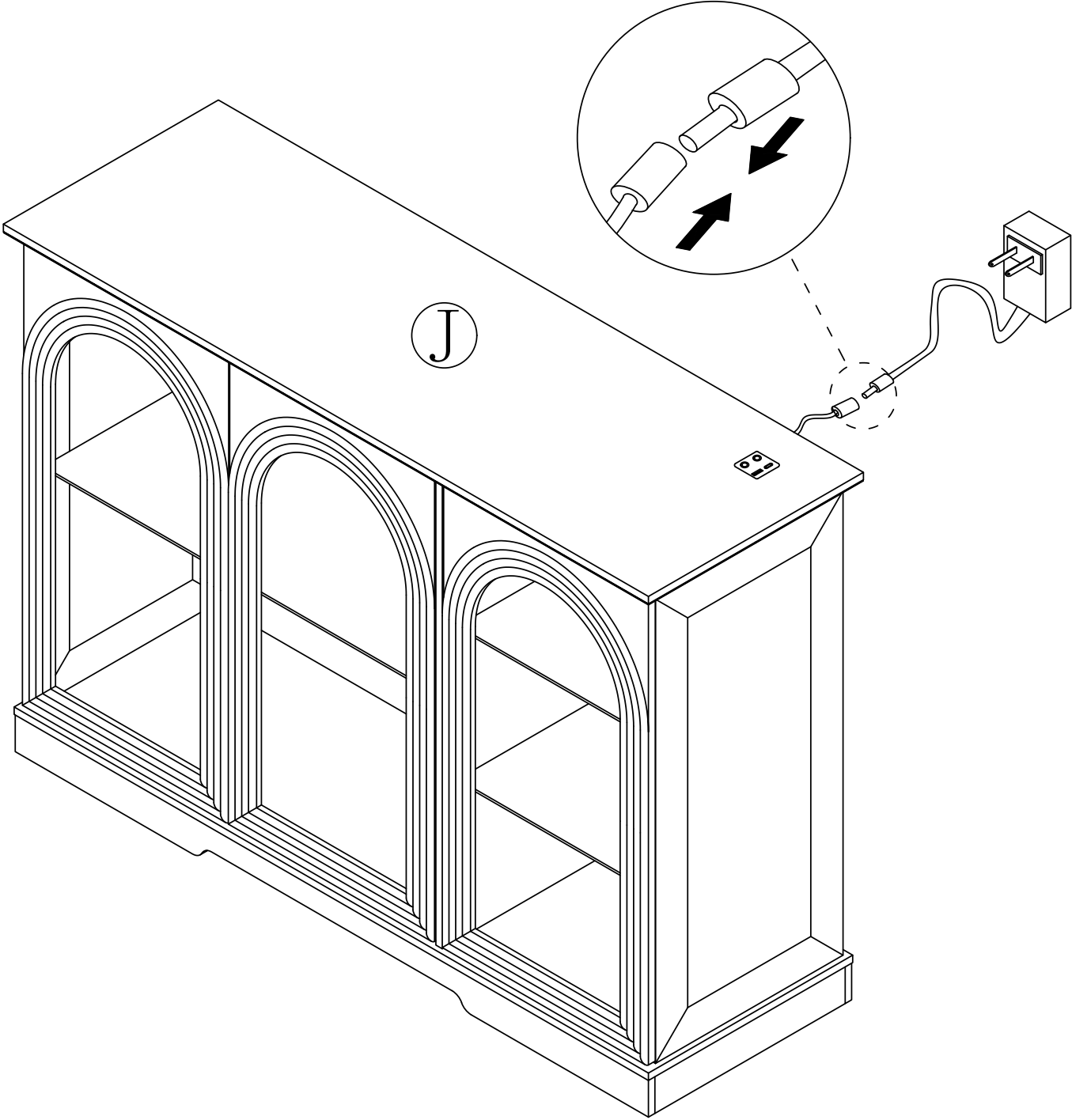
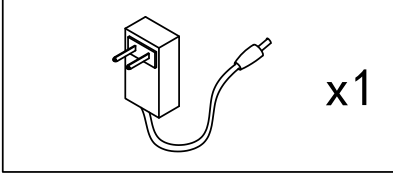


Turn this screw to adjust the door panel to be flat with the side panel.

Step 30



Step 31



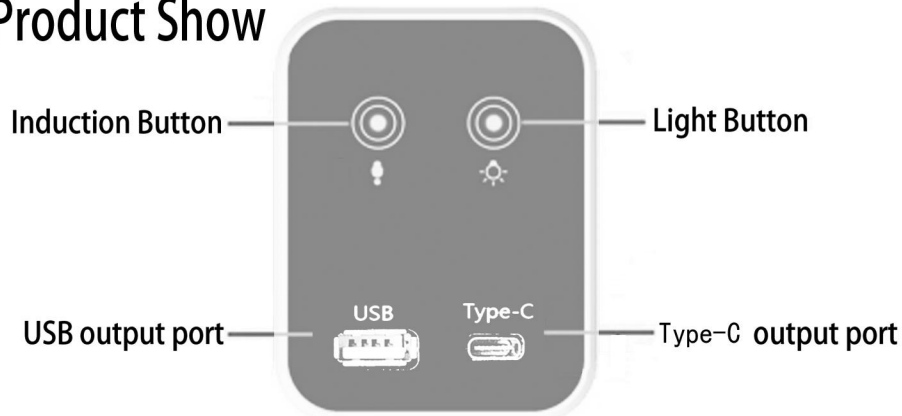
User's Guide

Thank you for purchasing this product. To use this product, please plug it into a 12V DC power supply. Please use if the product works normally after connecting to power.

Introduction

The box is an intelligent controller. It has 1 USB port and 1 type-C port and can distribute the current output up to 5V DC-2A. With 2 touch buttons, it can turn ON/OFF the light, change light colors, and adjust the light luminance.

Product Show



ATTENTION PLEASE

1. If there is no touch response suddenly, Re-plug the power to reset the touch static electricity.
2. If bubbles appear on the panel, remove the protective film.

Operation



This touch button is used to turn on/off, change colors, and adjust brightness.

A. Short touch -> lighting on -> short touch -> change light color -> short touch -> change light color -> short touch -> lighting off. B. Long touch -> adjust the luminance



This touch button is used to turn on/off the induction function.

A. Short touch to turn on the induction function. It can auto-turn on the light when people are close to the controller in 1 meters. It can auto power off the light when the body is far away from the controller after 30 seconds.

B. Long touch to turn off the induction function.

C. Note: When you touch the light button to change the light modes, the induction function will automatically turn off. It is best to turn on this function after selecting the light color and adjusting the brightness you want.