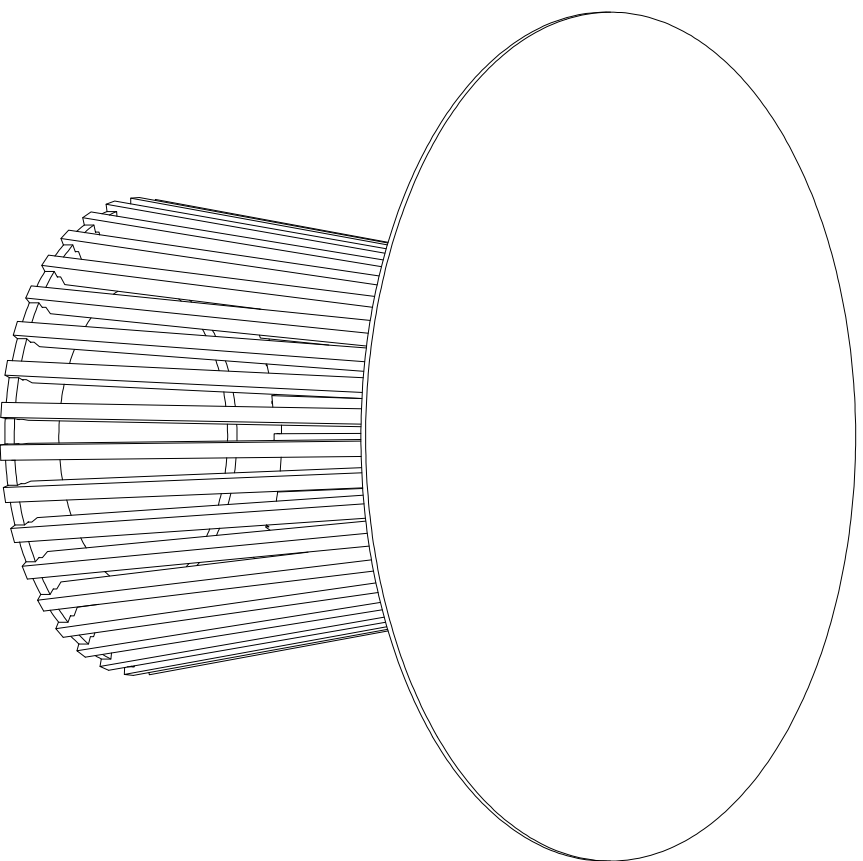


ASSEMBLY INSTRUCTION

Dining table
YAS19008DT



Component List

LABEL	DESCRIPTION	QTY
①	Top board	1
②	Support board	1
③	Base top	1
④	Base bottom	1
⑤	Slat	35

Hardware List

LABEL	DESCRIPTION	QTY
A	Allen key 4mm	1
B	Screws M6x25mm	12
C	Screws Ø3.5x35mm	70
D	Felt pad 30x20x3mm	5

