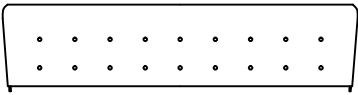
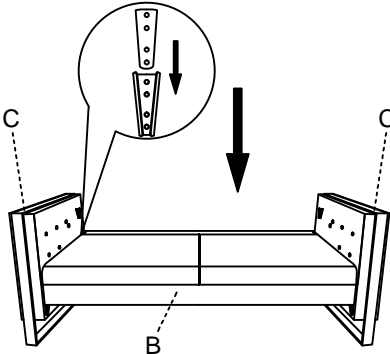
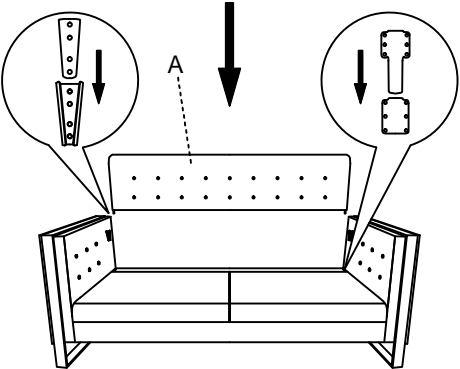
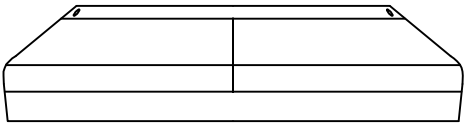
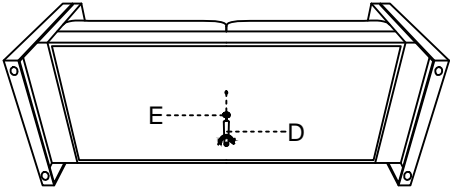
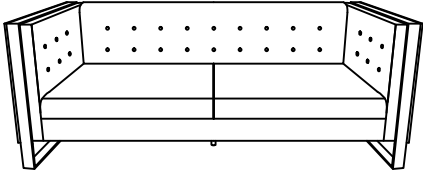
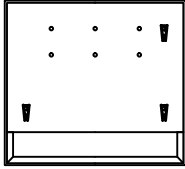



Assembly Instructions

<p>A*1</p> 	<p>① Carefully align male and female metal bracket then attach seat B into space between armrest C, push all the way down to secure.</p> 	<p>② Repeat same process of step 1 to secure backrest A with armrest C.</p> 
<p>B*1</p> 	<p>③ Lay the sofa down on a clean padded surface then attach the center support leg D and rubber washer E to bottom of the seat, fasten to secure.</p> 	<p>④ Assembly completed.</p> <div data-bbox="1353 1173 1513 1357" style="border: 1px solid black; padding: 5px;"> <p>!</p> <p>For velvet: With help of adult partner, iron the fabric cover to stretch the wrinkles and dent mark with steam iron while necessary, please separate with a towel before ironing...</p> </div> 
<p>C*2</p> 	<p>D*1</p> 	<p>E*1</p> 