



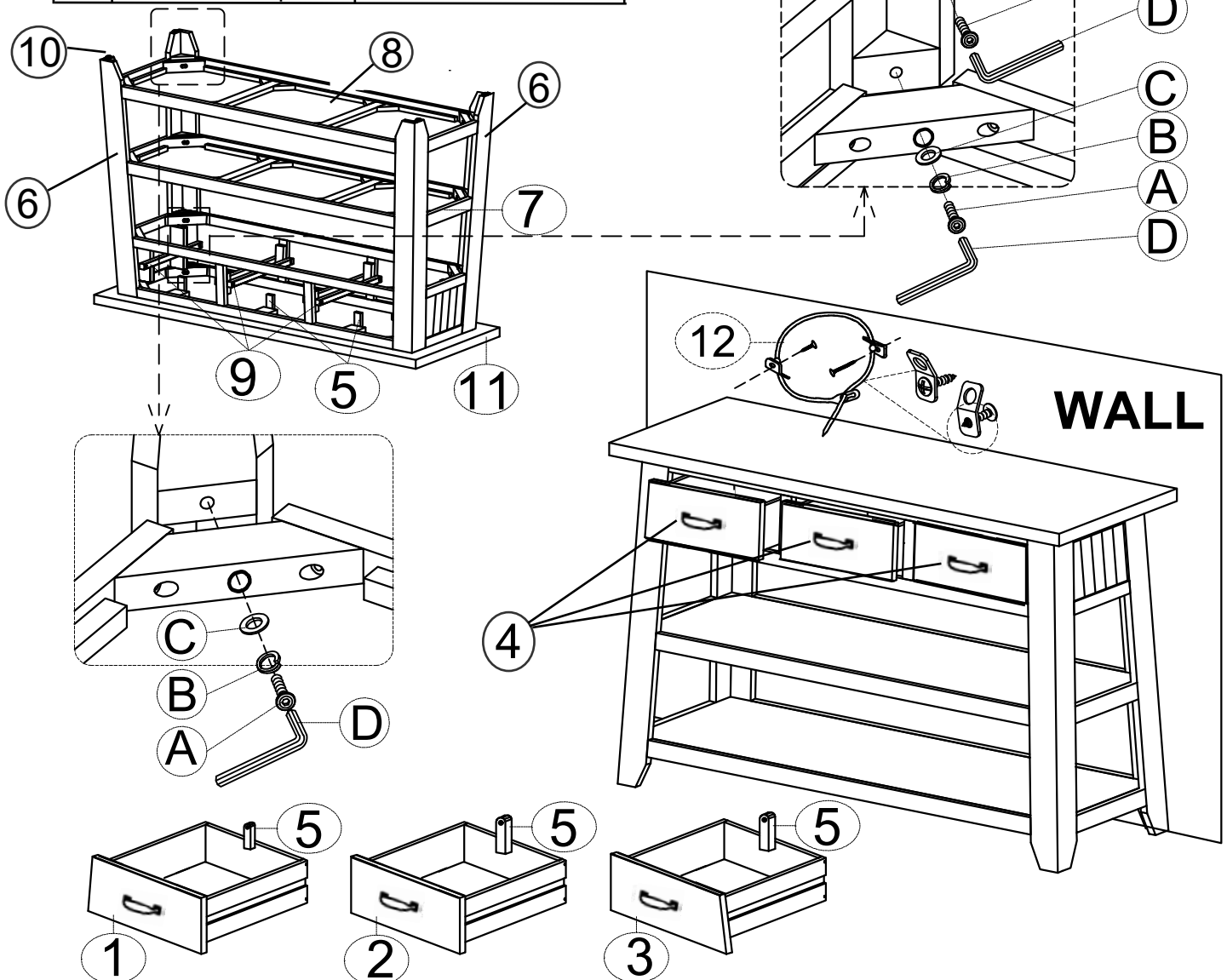


ASSEMBLY INSTRUCTIONS & PARTS IDENTIFICATION

Thank you for purchasing this quality product. Be sure to check all packing material carefully for small parts that may have come loose inside the carton during shipment

Parts key				Hardware Pack :		
No	Code	Qty	Description	No	Description	Qty
1		1 pc	Left drawer complete	A	 Bolt M6 x 60	16 pcs
2		1 pc	Center drawer complete	B	 Lock washer M8	16 pcs
3		1 pc	Right drawer complete	C	 Flat washer M8 x 18	16 pcs
4		3 sets	Drawer pull w/Screws	D	 Allen Key K4	1 pc
5		3 pcs	Drawer stop			
6		4 pc	Leg			
7		1 pc	Shelf upper			
8		1 pc	Shelf lower			
9		6 pcs	Drawer glide			
10		4 pcs	Floor glide			
11		1 pc	Storage box			
12		1 set	Anti - tip kit			



PLEASE NOTE :

To avoid the possibility of the furniture tipping and injury, the anti-tip hardware must be installed.