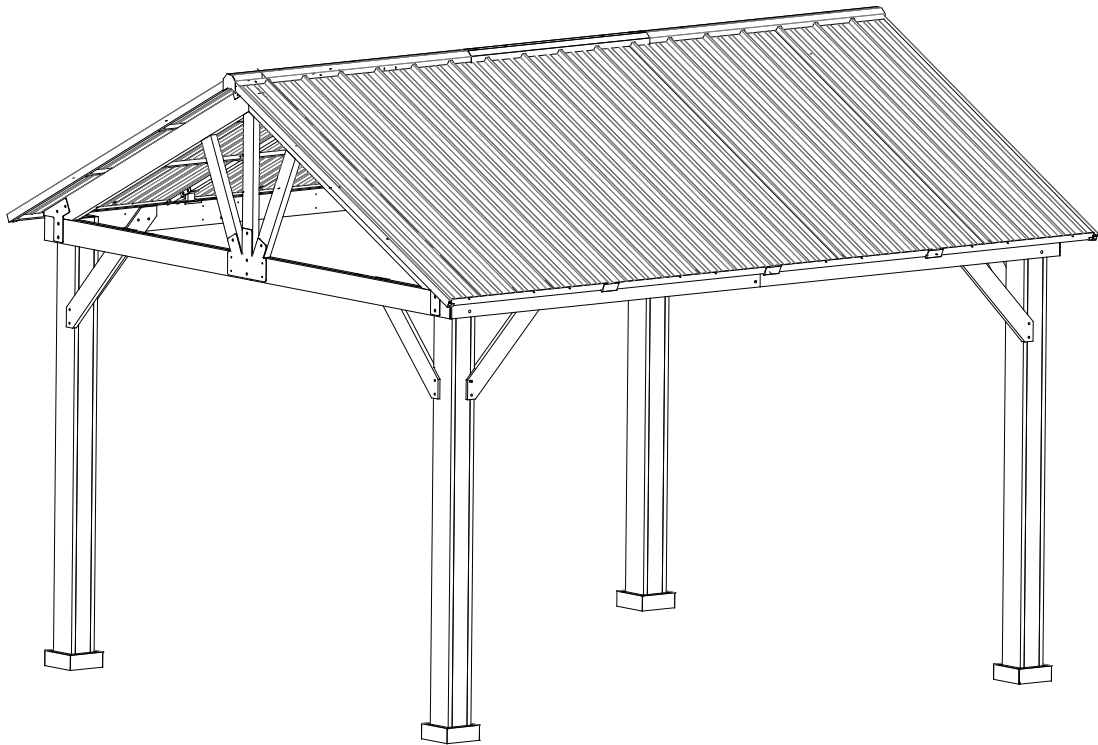


# INSTRUCTION MANUAL

## EAGLE PEAK 10 ft x 12 ft Wooden Gazebo



Do not return your wooden gazebo to the place of purchase.  
For warranty service, repair parts, or product questions please

*email : [service@eaglepeak.com](mailto:service@eaglepeak.com)*



*Thank you for choosing Eagle Peak !*



**Warning!** To reduce the risk of serious injury, read the following safety instructions before assembling and using the gazebo. Please check with your local governing authority/local municipal codes regarding installation of structures before assembly.

**Caution!**

Proper placement of your gazebo is essential.  
Do not place the product underneath electrical lines.  
Keep children away during assembly.  
This product contains small parts which can be swallowed by children.  
Keep fingers away from the places where they can be pinched or trapped.  
Do not attempt to assemble the gazebo if any parts are missing.

- The product should be placed on flat, horizontal ground.
- Ensure enough clearance around the product. Before assembling the product, find level ground no less than 6' (1.8 m) away from any structures or obstructions, such as fences, garages, houses, overhanging branches, laundry lines, or electrical wires.
- This gazebo is not to be regarded as part of a building/house structure. The gazebo is to be anchored onto the ground for added safety. Do not assemble the gazebo on soil/earth ground. It is best to build the gazebo on a hard, stable foundation. It is advisable to use appropriate floor plugs (not provided) to anchor the gazebo onto the wooden/concrete ground.
- Some structures may require two or more people to install safely. Check for underground utilities before digging or driving stakes into the ground.
- During installation, follow all safety warnings provided with your tools and use safety glasses.
- If you set up more than one gazebo, keep a minimum distance of 10' (3 m) between the gazebos.
- Any assembly or maintenance of the product must be carried out by adults only.
- Arrange necessary manpower when assembling or moving the product.
- Some parts may contain sharp edges. Wear protective gloves if necessary.
- Keep children and pets away while setting up the gazebo.
- Check all nuts and bolts periodically to ensure bolts/nuts are tightened.
- Repairing and replacing parts should be done by a qualified technician.
- This gazebo is intended for decorative and sunshade purposes only, and it is not designed to withstand harsh weather, including high winds, rain, and snow.
- Do not light any fires inside or near the product not!
- Stay calm if fire breaks out. Search for the nearest exit. Do not return to the gazebo before firemen allow you to do so.
- Do not hang heavy weights on the roof frame.
- Do not climb onto the roof of the gazebo. Falling off the gazebo can result in serious injury.
- Keep the original packaging to store the gazebo.

## IMPORTANT:

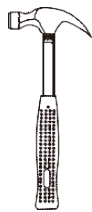
- Please read and understand this manual before any assembly. Before beginning assembly of product, make sure all parts are present. Compare parts with packaging contents list.
- If any part is missing, or if you have any questions, contact the service centre at 1-(844)-805-0378 (toll free).
- When assembling wooden parts, do not overtorque the bolts to avoid splitting the wood. See image illustration.
- Place all parts from the box in a cleared area and position them on the floor in front of you.
- Remove all packing materials and place them back into the box. Do not dispose of the packing materials until assembly is complete.
- Read each step carefully before beginning any assembly and make sure you understand each step. If you are missing a part, please call our toll-free number for assistance 1-(844)-805-0378.
- Needed for assembly: (The following tools are not included )



Pistol Drill



Tape Measure



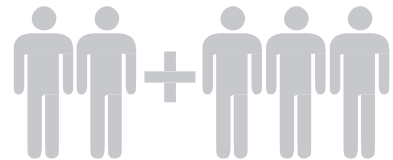
Hammer



Screwdriver

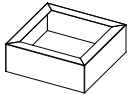

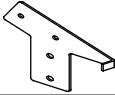

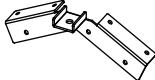
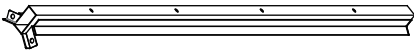
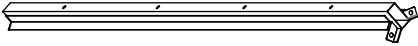
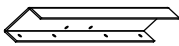
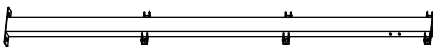



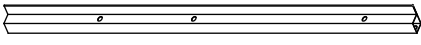
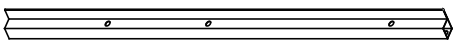
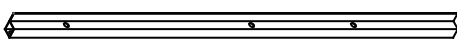
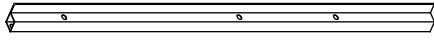
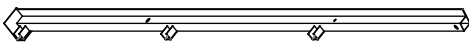
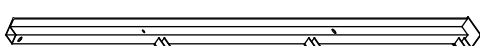


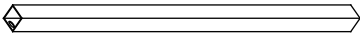
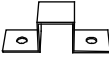



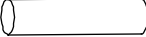
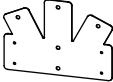
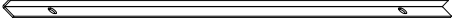


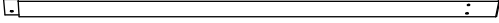

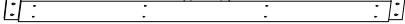
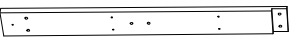
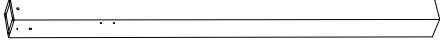
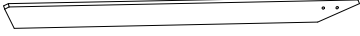
Ladder


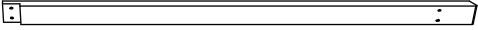



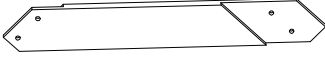

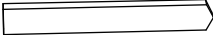



5 people

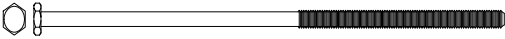
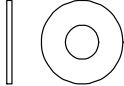
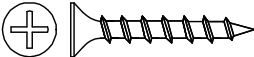

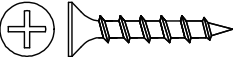
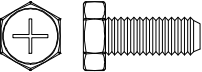
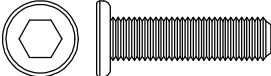
# PARTS LIST

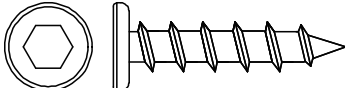
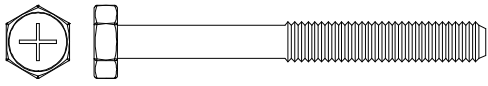
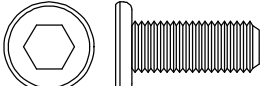

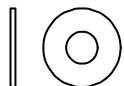

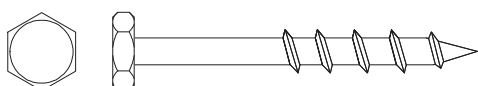
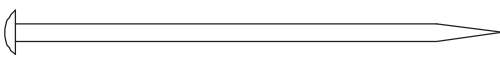
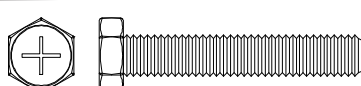


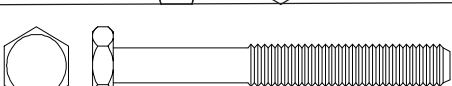

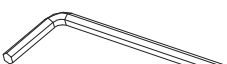
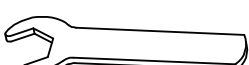
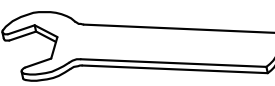
	Description	Sketch	QTY
B	Base Cover		4 pcs
C	Base		4 pcs
C1	Triangular Connector 1		2 pcs
C2	Triangular Connector 2		2 pcs
C4	Triangular Connector		2 pcs
F1	Big Roof Beam 1		1 pc
F2	Big Roof Beam 2		1 pc
G1	Roof Beam Connector 1		1 pc
H	Big Roof Middle Beam		6 pcs
I	Middle Beam Lower Connector		6 pcs
J1	Support Tube 1		3 pcs
P	Hook		1 pcs
L1	Big Roof Lower Tube 1		2 pcs
L2	Big Roof Lower Tube 2		2 pcs
L3	Big Roof Lower Tube 3		2 pcs
L4	Big Roof Lower Tube 4		2 pcs
M1	Big Roof Side Tube 1		2 pcs
M2	Big Roof Side Tube 2		2 pcs

	Description	Sketch	QTY
N	Big Roof Small Beam		16 pcs
O	Small Beam Presser		8 pcs
Q	Press Panel		6 pcs
R1	Big Roof Cover 1		2 pcs
R2	Big Roof Cover 2		1 pc
S	Steel Pin		12 pcs
T	Catch		2 pcs
U	Roof Side Cover		4 pcs
P1	Big Roof Cover		10 pcs
P2	Small Roof Cover		4 pcs
01	Outer Long Right Beam (Long)		2 pcs
02	Outer Long Left Beam (Long)		2 pcs
05	Inner Middle Beam		2 pcs
07	Inner Short Beam (Long)		4 pcs
08	Post		2 pcs
13	Triangular Support Beam		4 pcs

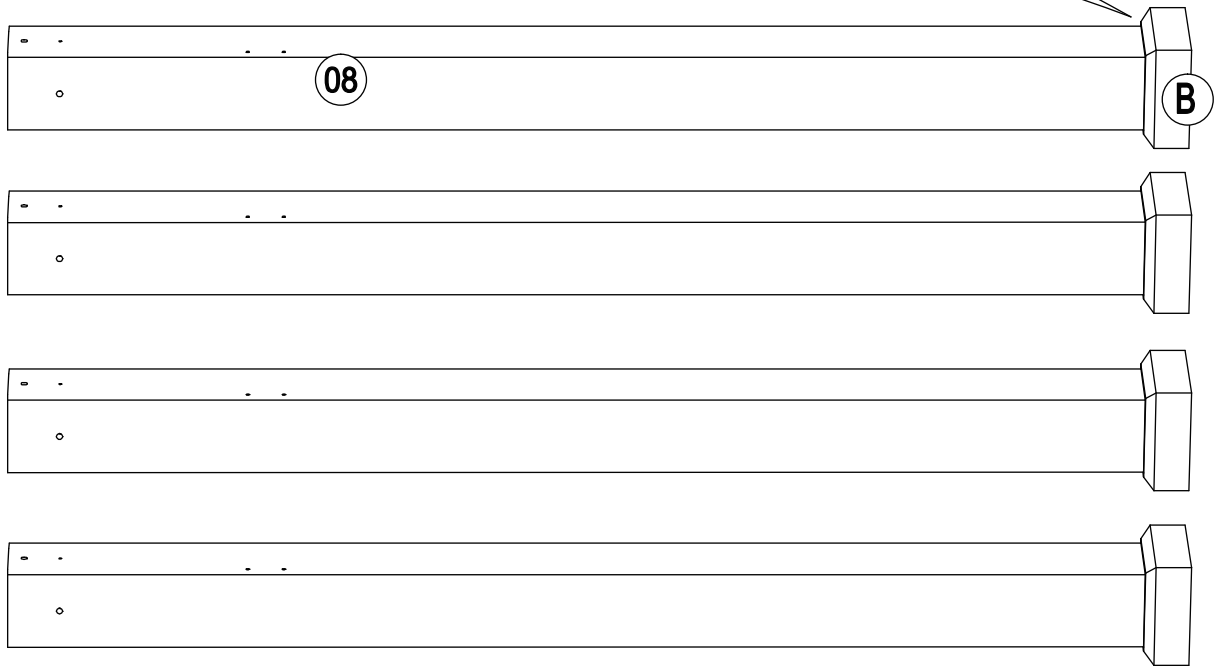
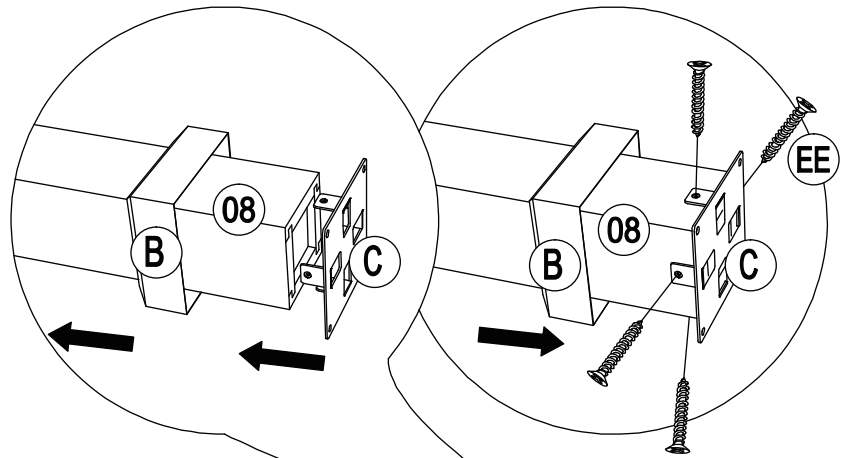
	Description	Sketch	QTY
03	Outer Long Left Beam (Short)		2 pcs
04	Outer Long Right Beam (Short)		2 pcs
05	Inner Middle Beam		2 pcs
06	Inner Short Beam (Short)		4 pcs
08	Post		2 pcs
10	Arc Support 1		4 pcs
11	Arc Support 2		4 pcs
14	Triangular Middle Support Beam		2 pcs
15	Triangular Frame Slanting Beam		4 pcs

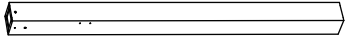
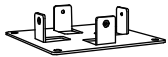
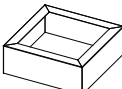

## HARDWARE PACK

	Description	Sketch	QTY
AA	Bolt M10*205		8 pcs
BB	Flat Washer M6		140 pcs
CC	Screw M5*40		72 pcs
DD	Nut M6		12 pcs
EE	Screw M5*30		72 pcs
FF	Bolt M6*15		108 pcs
HH	Bolt M8*35		16 pcs

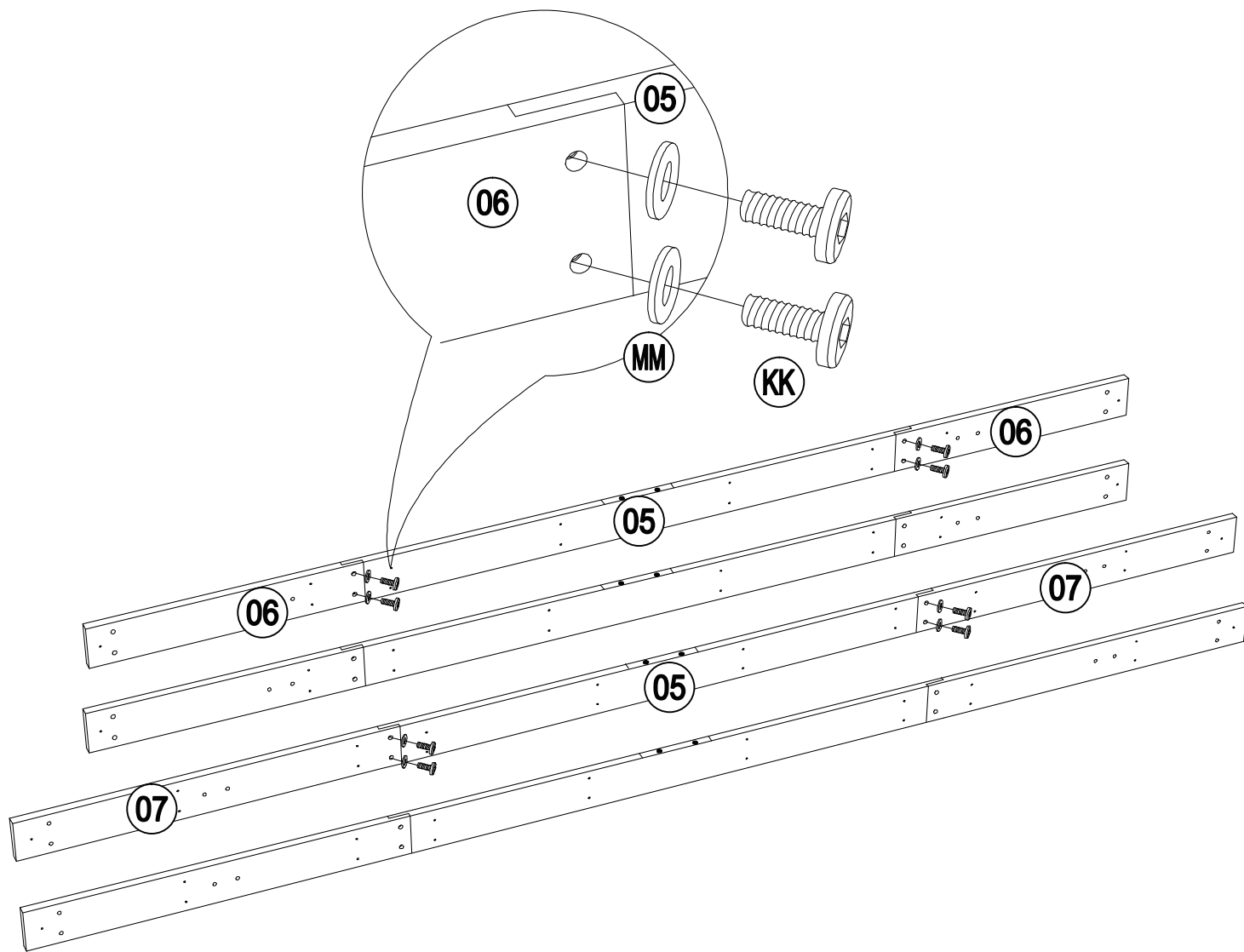
	Description	Sketch	QTY
II	Bolt M8*35		16 pcs
JJ	Bolt M6*55		12 pcs
KK	Bolt M8*20		24 pcs
LL	Non-slip Nuts M10		8 pcs
MM	Flat Washer M8		84 pcs
NN	Flat Washer M10		24 pcs
OO	Screw M10*80		8 pcs
PP	Stake Ø8*180		8 pcs
QQ	Bolt M6*35		8 pcs
RR	M3 Drill		2 pcs
UU	Non-slip nuts M8		14 pcs
WW	Bolt M8*50		14 pcs
Z1	Wrench M6		2 pcs
Z2	Allen Key M8		1 pcs
Z3	Wrench M8		2 pcs
Z4	Wrench M10		2 pcs

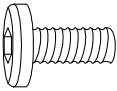




# Step 1



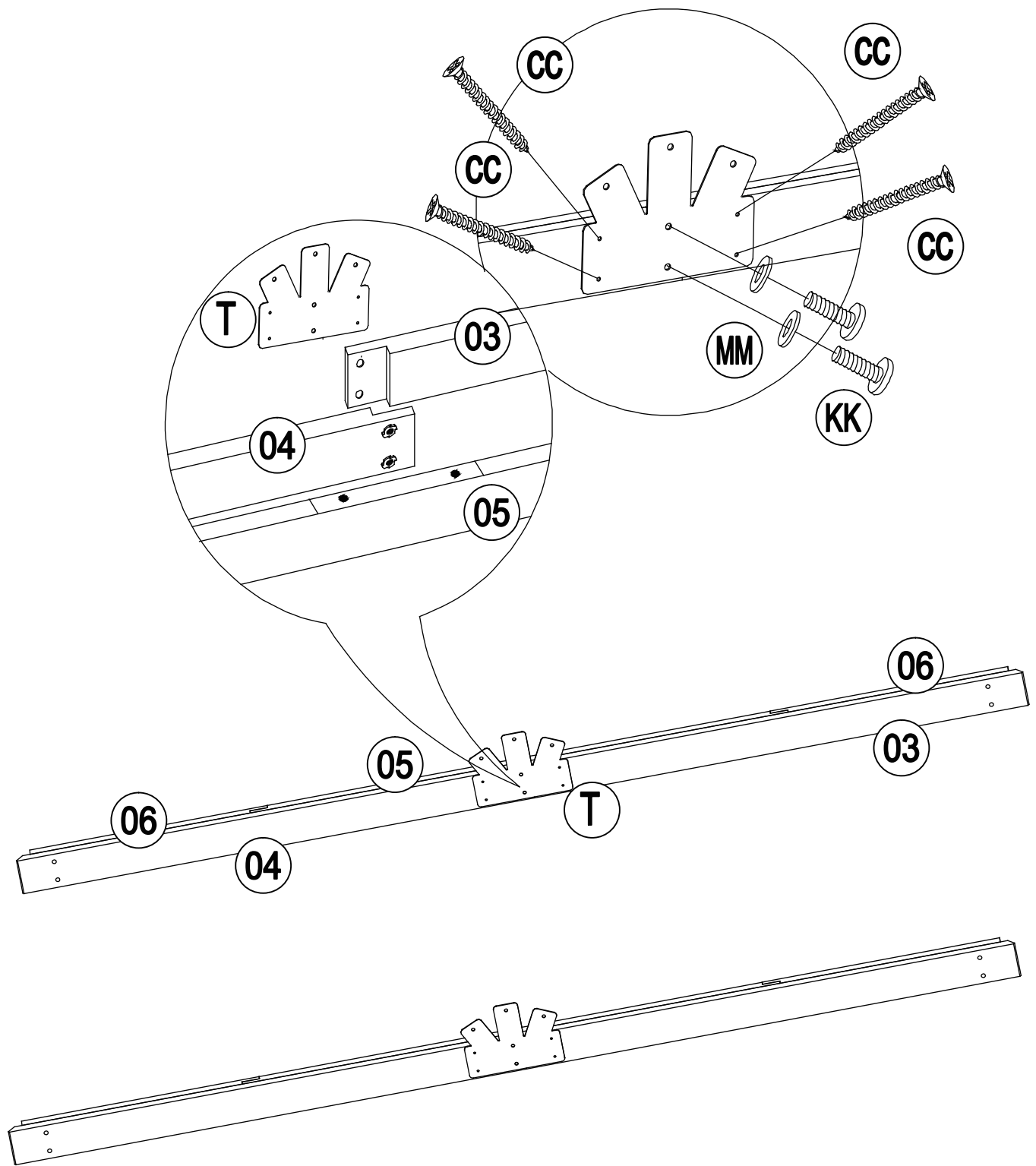
	08 x 4pcs		C x 4pcs
	B x 4pcs		EE x 16 pcs

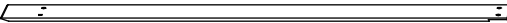
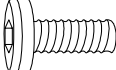




# Step 2



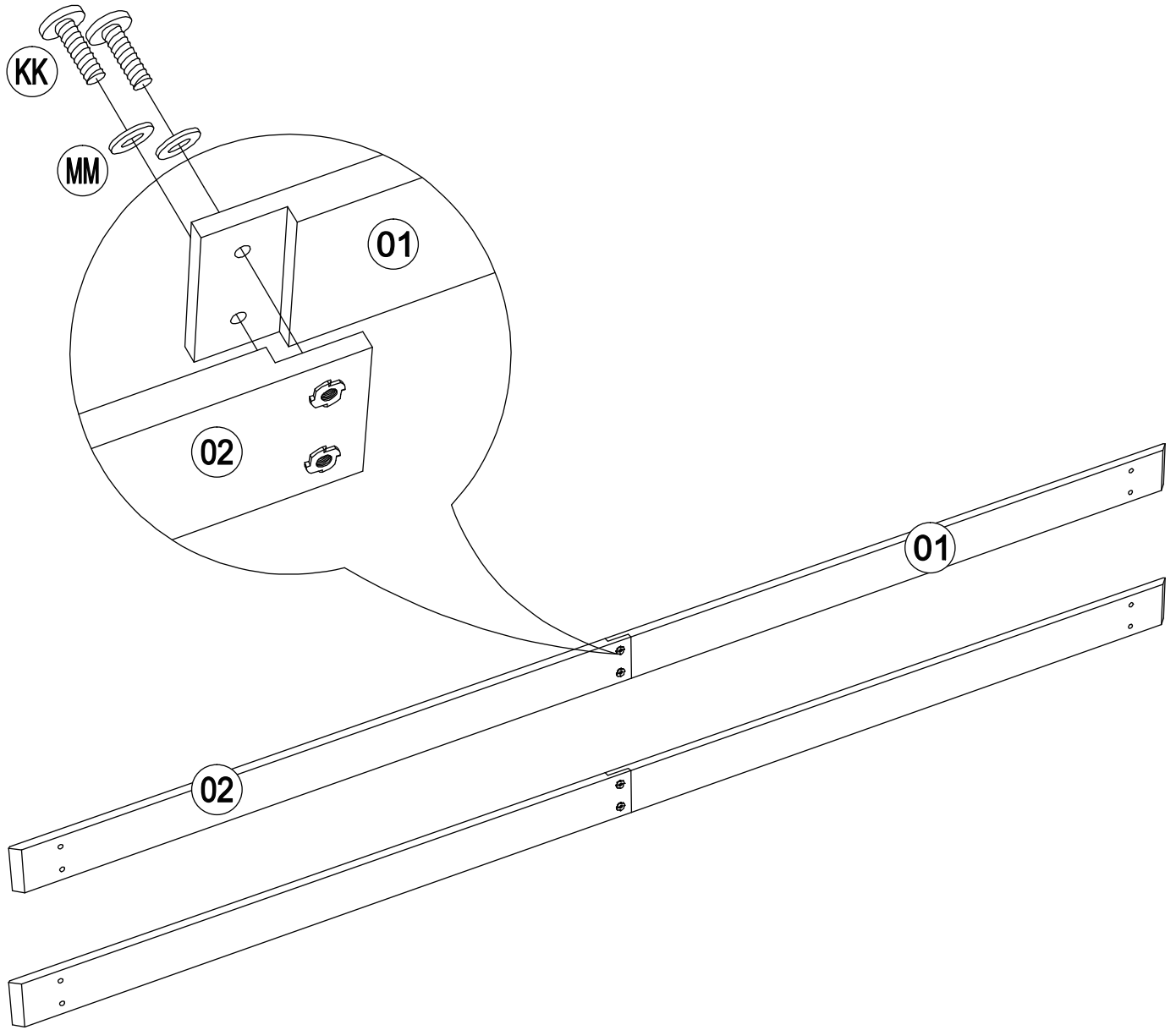
	KK x 16pcs		MMx 16pcs
	05 x 4pcs		07 x 4pcs
	06 x 4pcs		

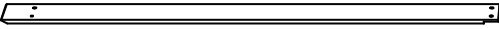
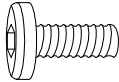
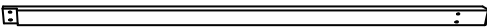

# Step 3



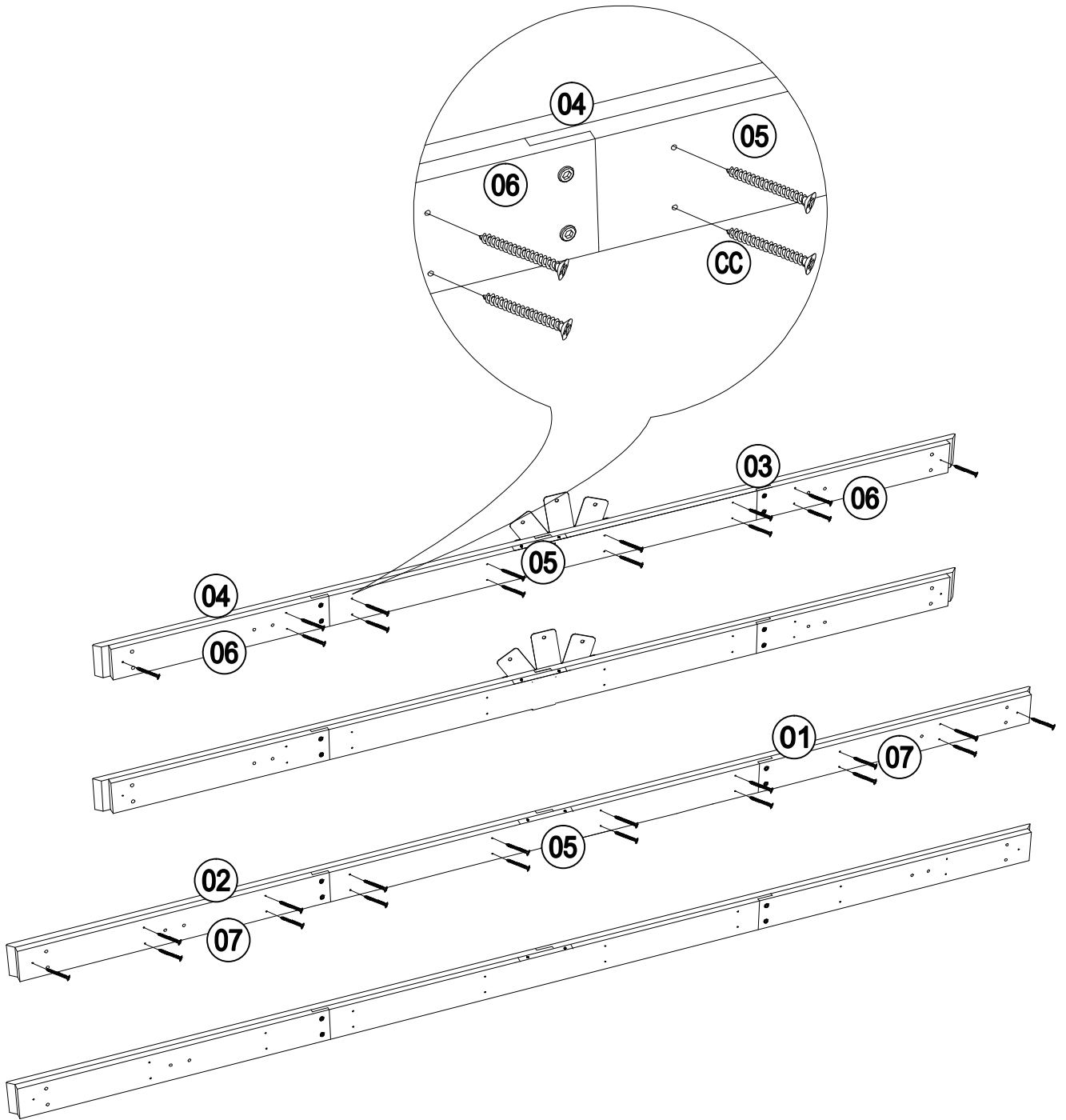
 03 x 2pcs		KK x 4pcs
 04 x 2pcs		MM x 4pcs
 T x 2pcs		CC x 8pcs

# Step 4



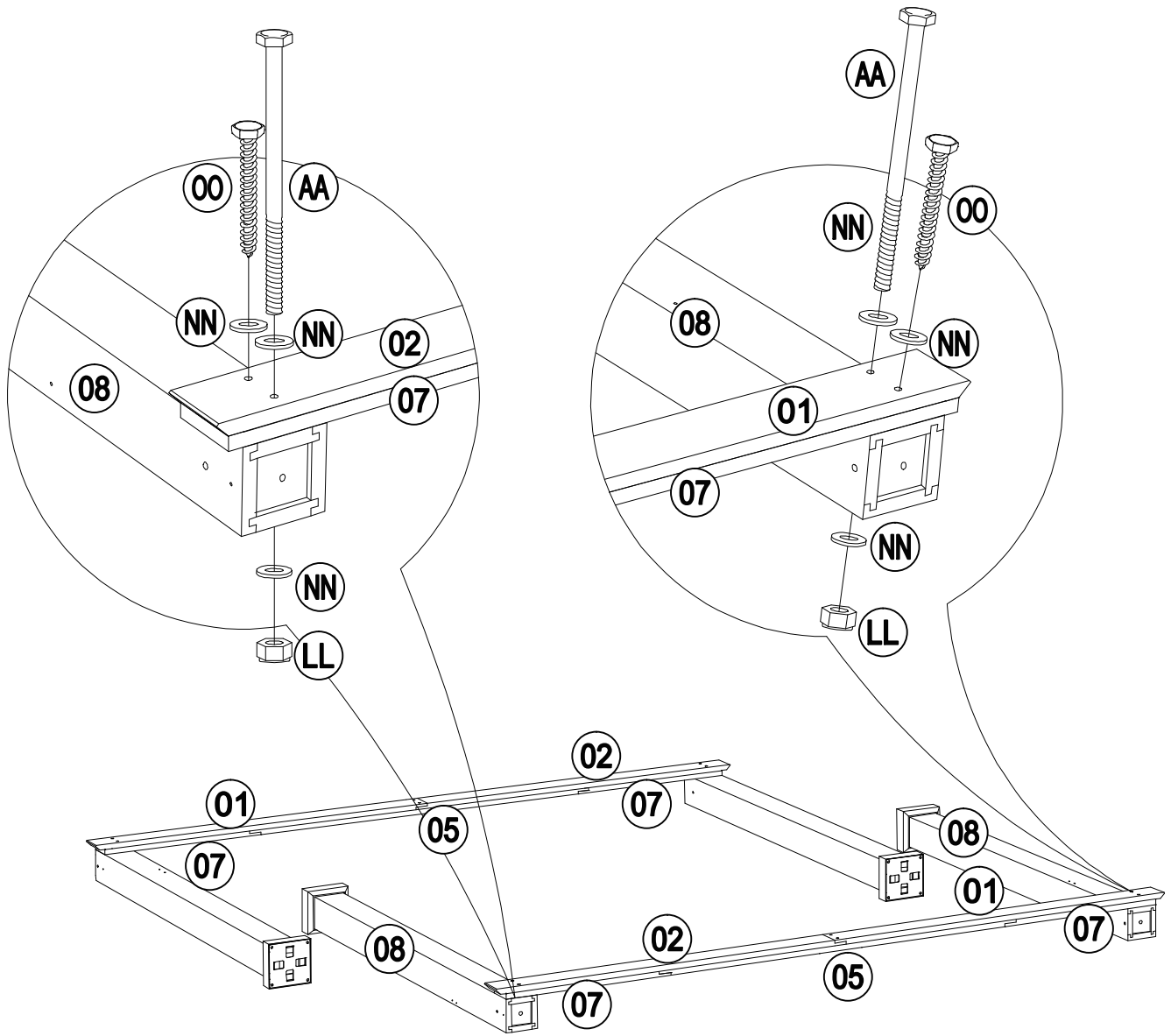
 01 x 2pcs		KK x 4pcs
 02 x 2pcs		MM x 4pcs




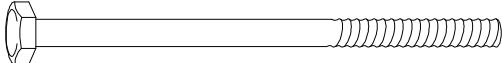
# Step 5



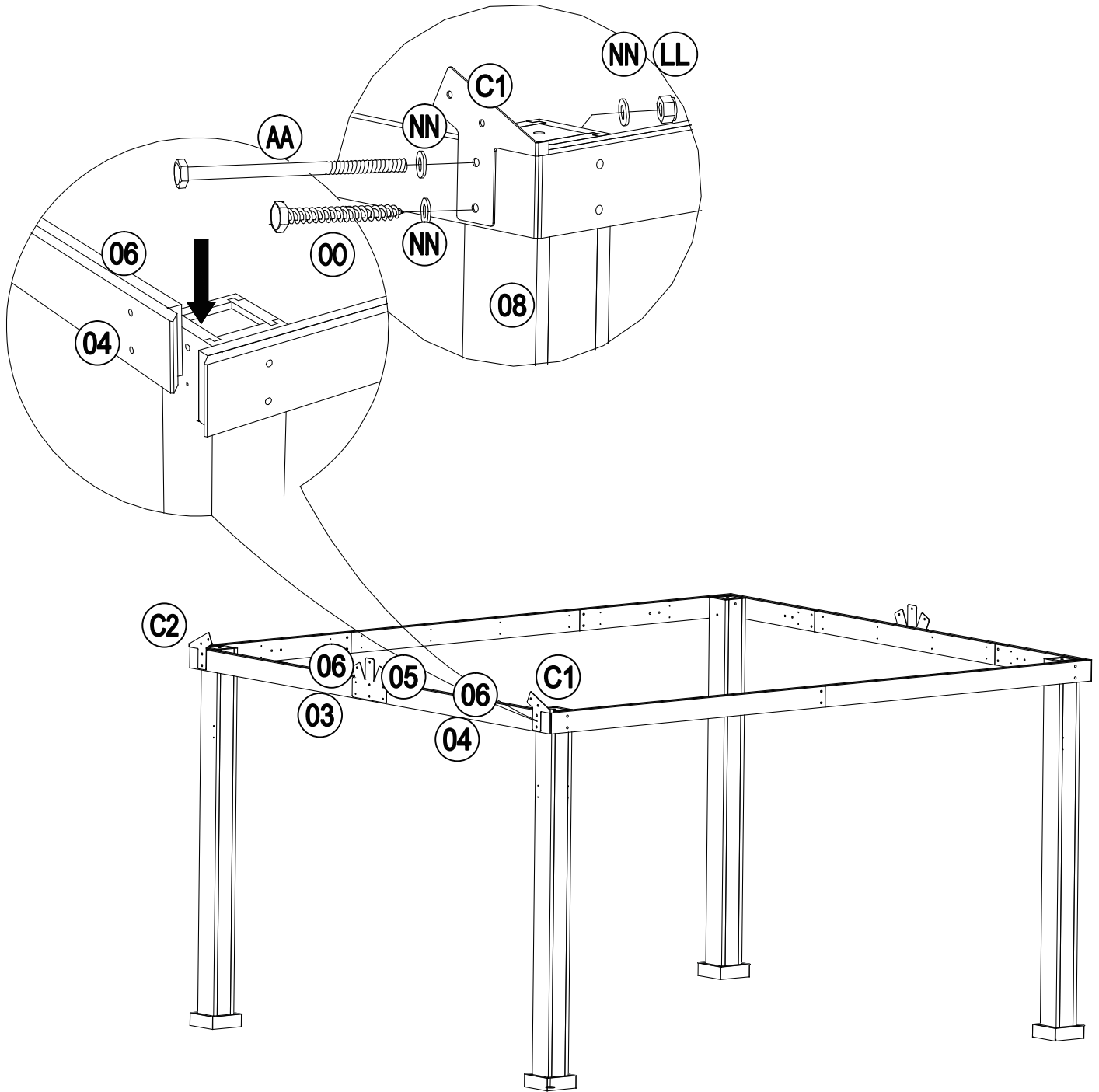
CC x 64pcs

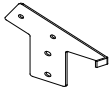




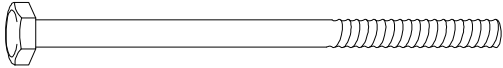
# Step 6



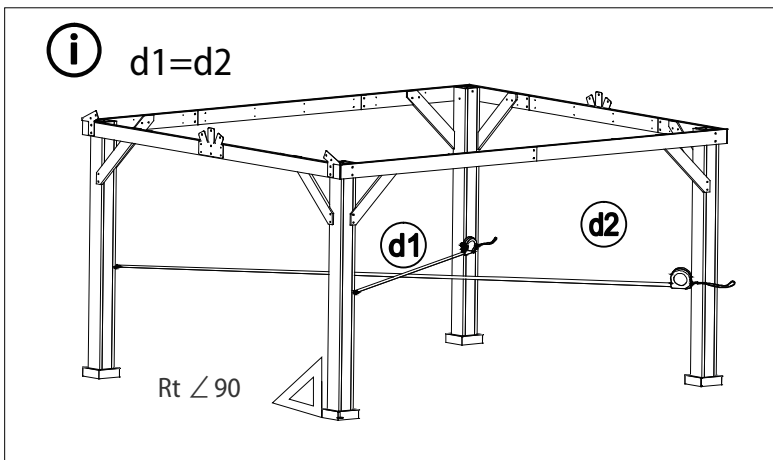
 <p>LL x 4pcs</p>	 <p>OO x 4pcs</p>
 <p>NN x 12pcs</p>	 <p>AA x 4pcs</p>

# Step 7

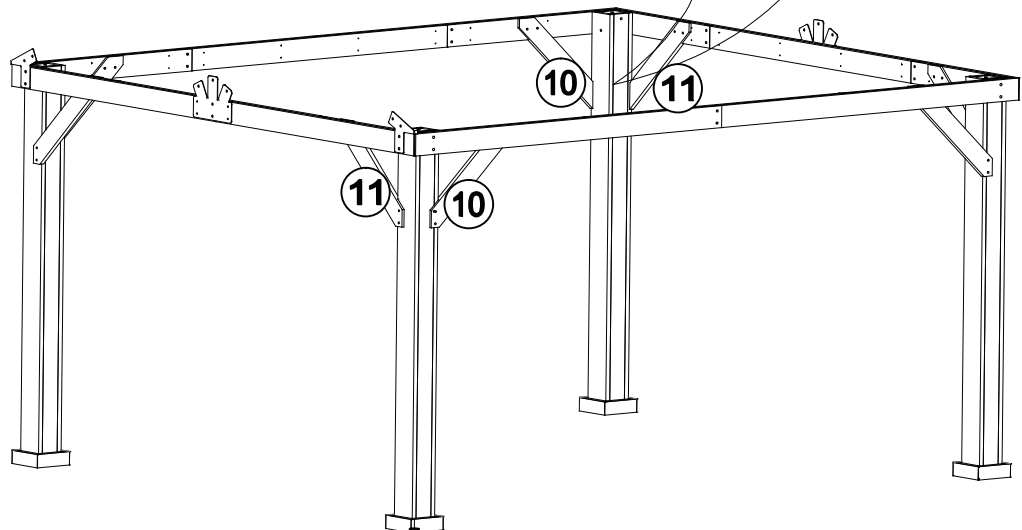
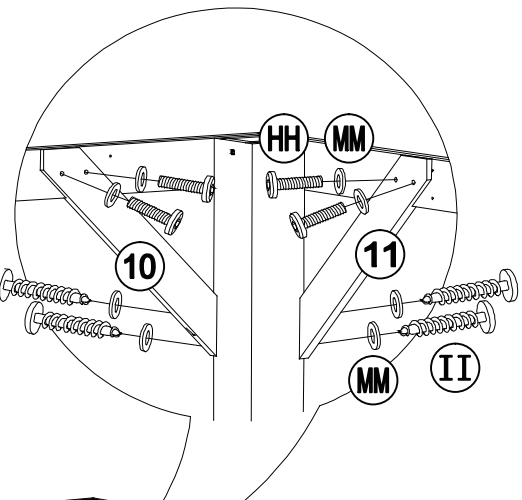


	C1 x 2pcs		C2 x 2pcs
	LL x 4pcs		OO x 4pcs
	NN x 12pcs		AA x 4pcs

# Step 8

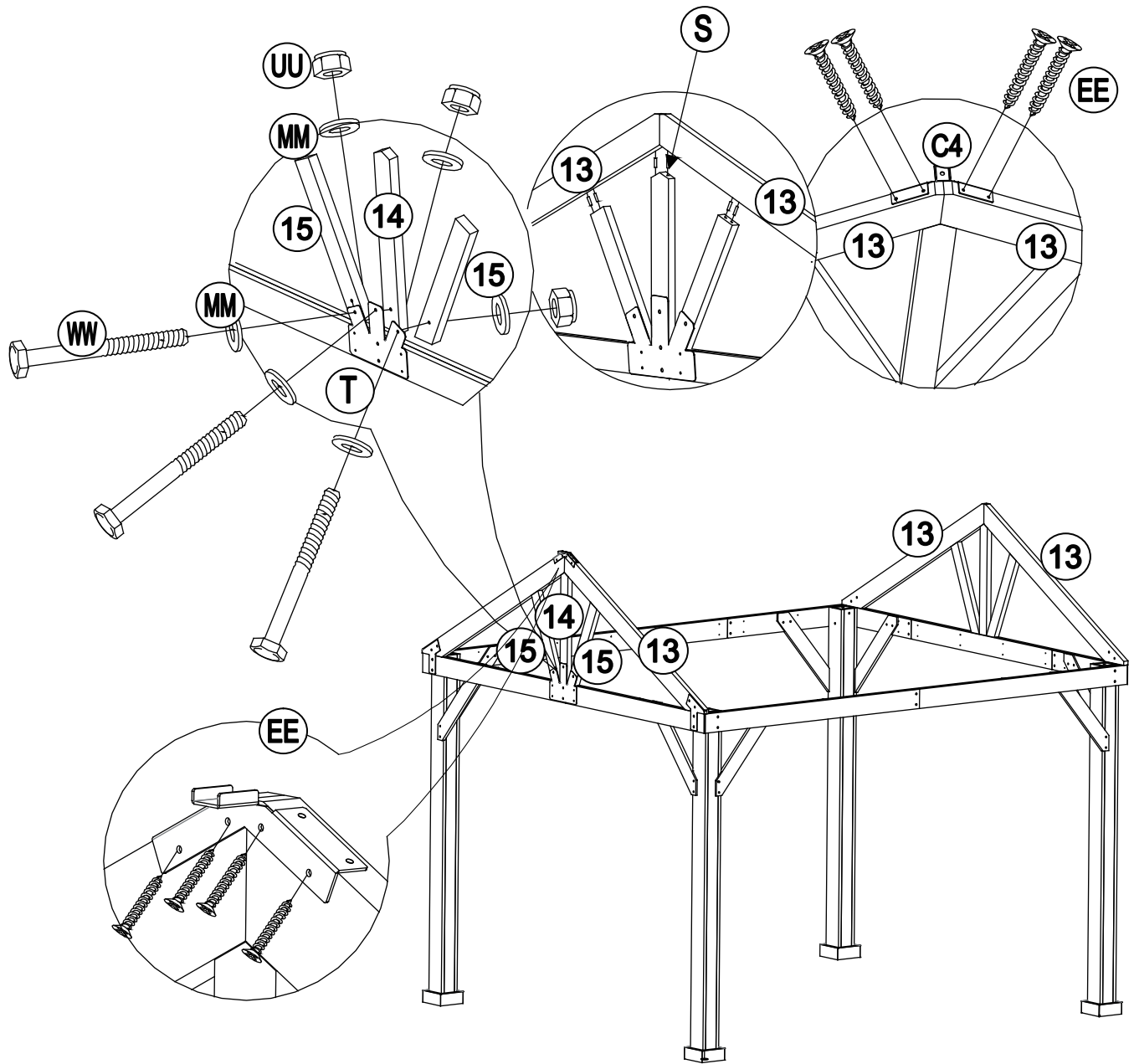


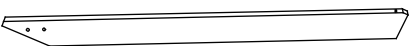


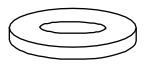


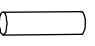
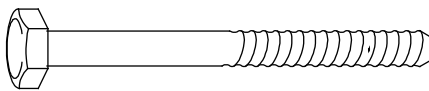
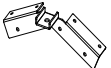
**Assembly Tip on Step 8:**  
 Please measure to make sure the length of d1 is equal to d2 before moving to next step to ensure a square frame and best results. Keep the beam at right angles to the post, the post at right angles to the ground, and keep the beam horizontal.



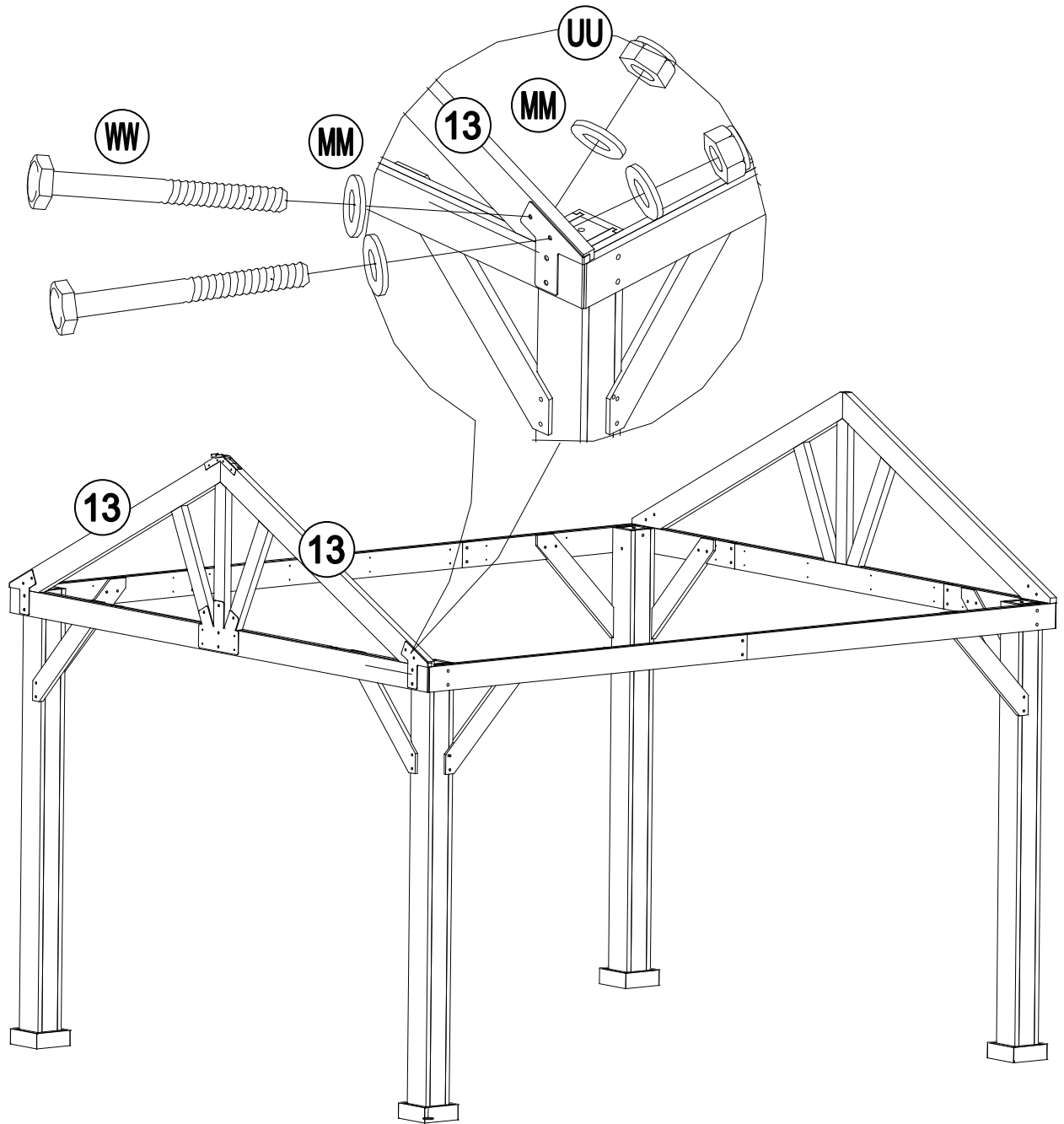
	10 x 4pcs		HH x 16pcs
	11 x 4pcs		MM x 32pcs
			II x 16pcs

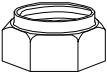

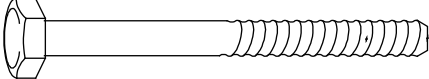
# Step 9



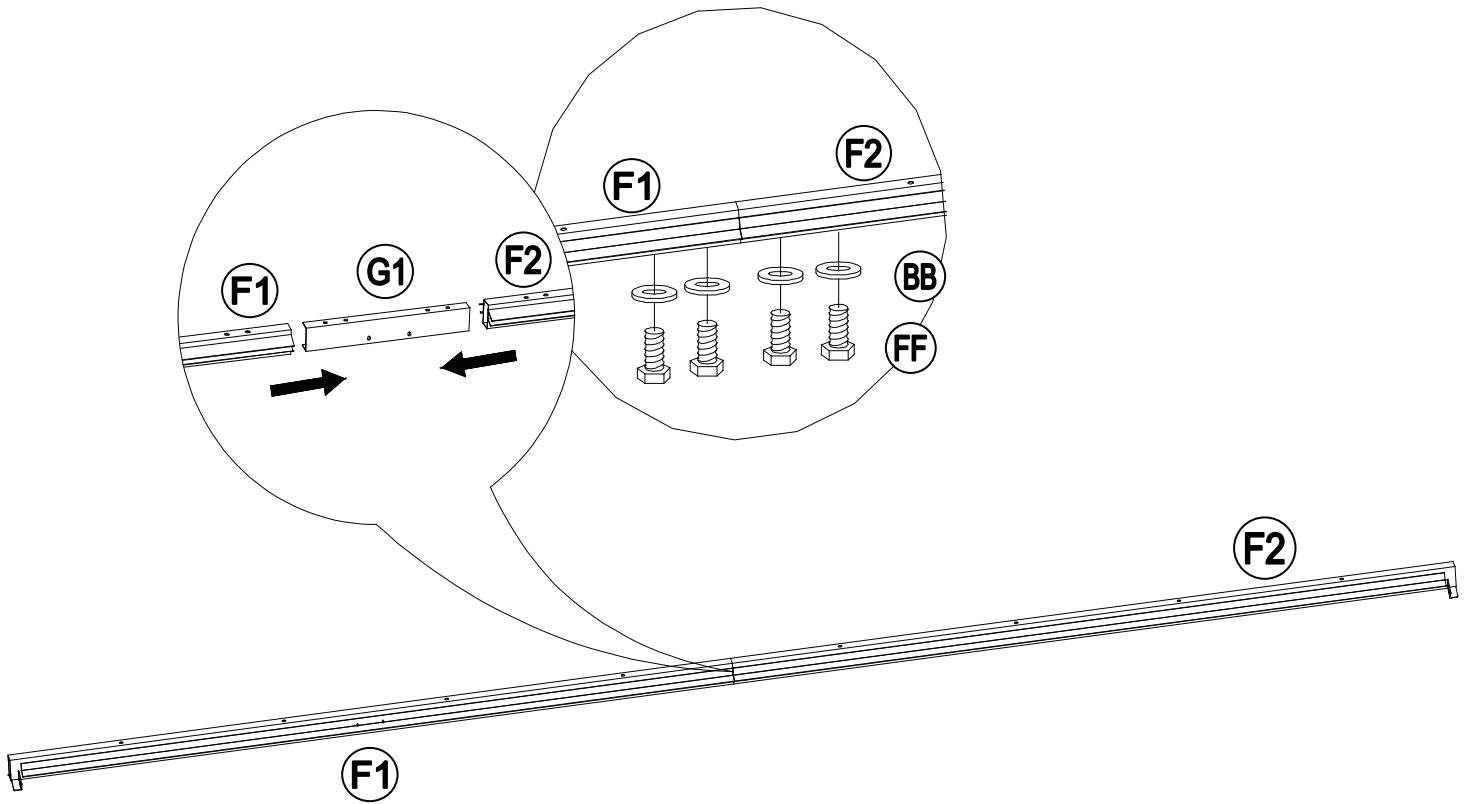
	13 x 4pcs		UU x 6pcs
	14 x 2pcs		MM x 12pcs
	15 x 4pcs		EE x 16pcs
	S x 12pcs		WW x 6pcs
	C4 x 2pcs		


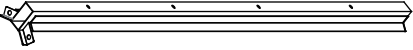

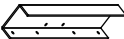
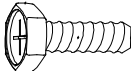
# Step 10



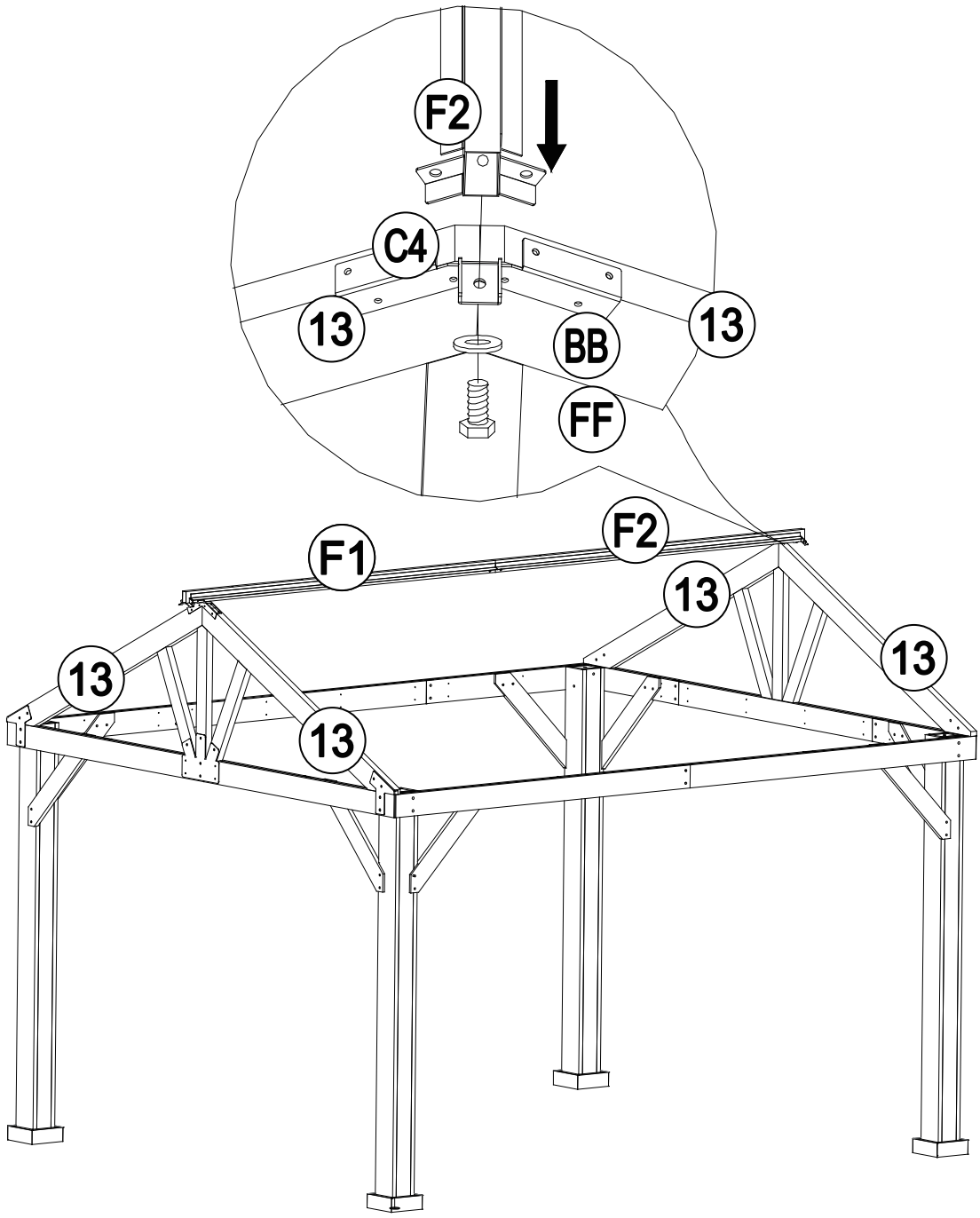
	UU x 8pcs	
	MM x 16pcs	 WW x 8pcs


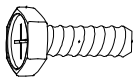

# Step 11



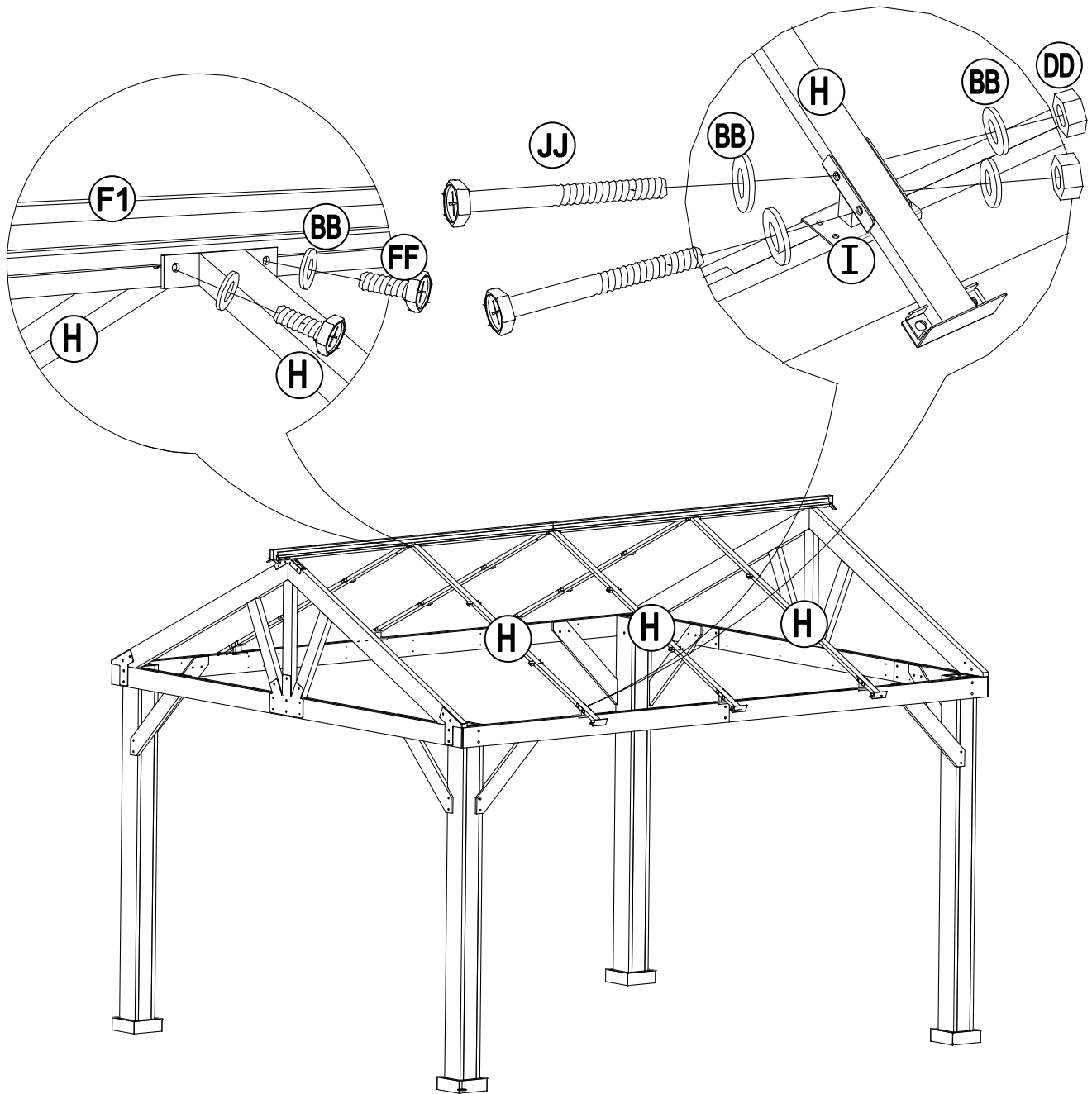
	F2 x 1pcs		
	F1 x 1pcs		BB x 4pcs
	G1 x 1pc		FF x 4pcs

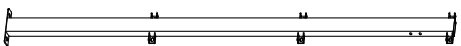

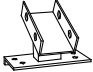
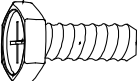
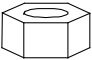
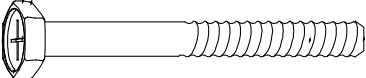
# Step 12



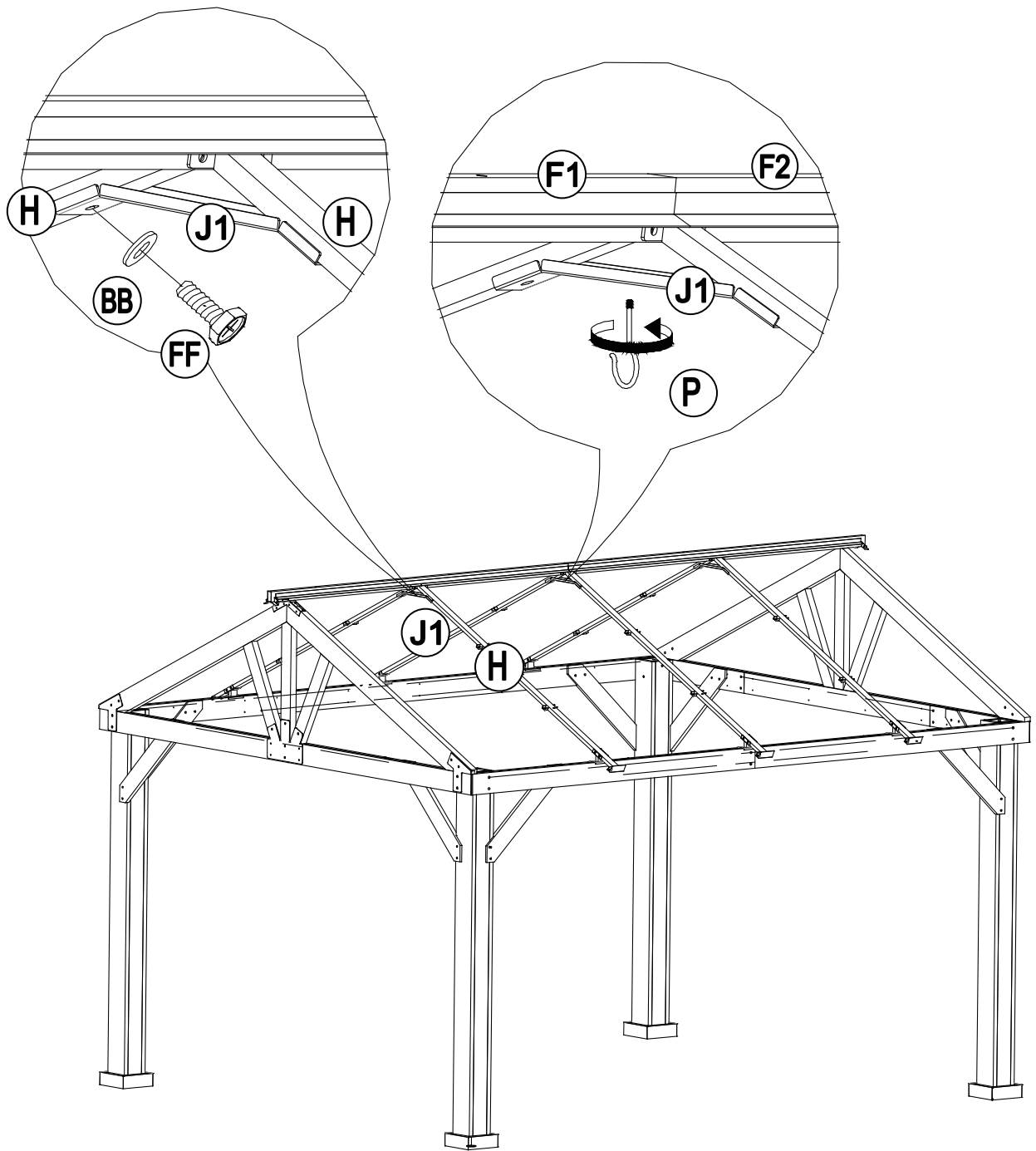
	F1、 F2 x 1pcs		
	FF x 2pcs		BB x 2pcs

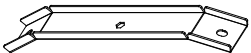

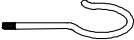
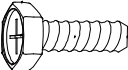
# Step 13



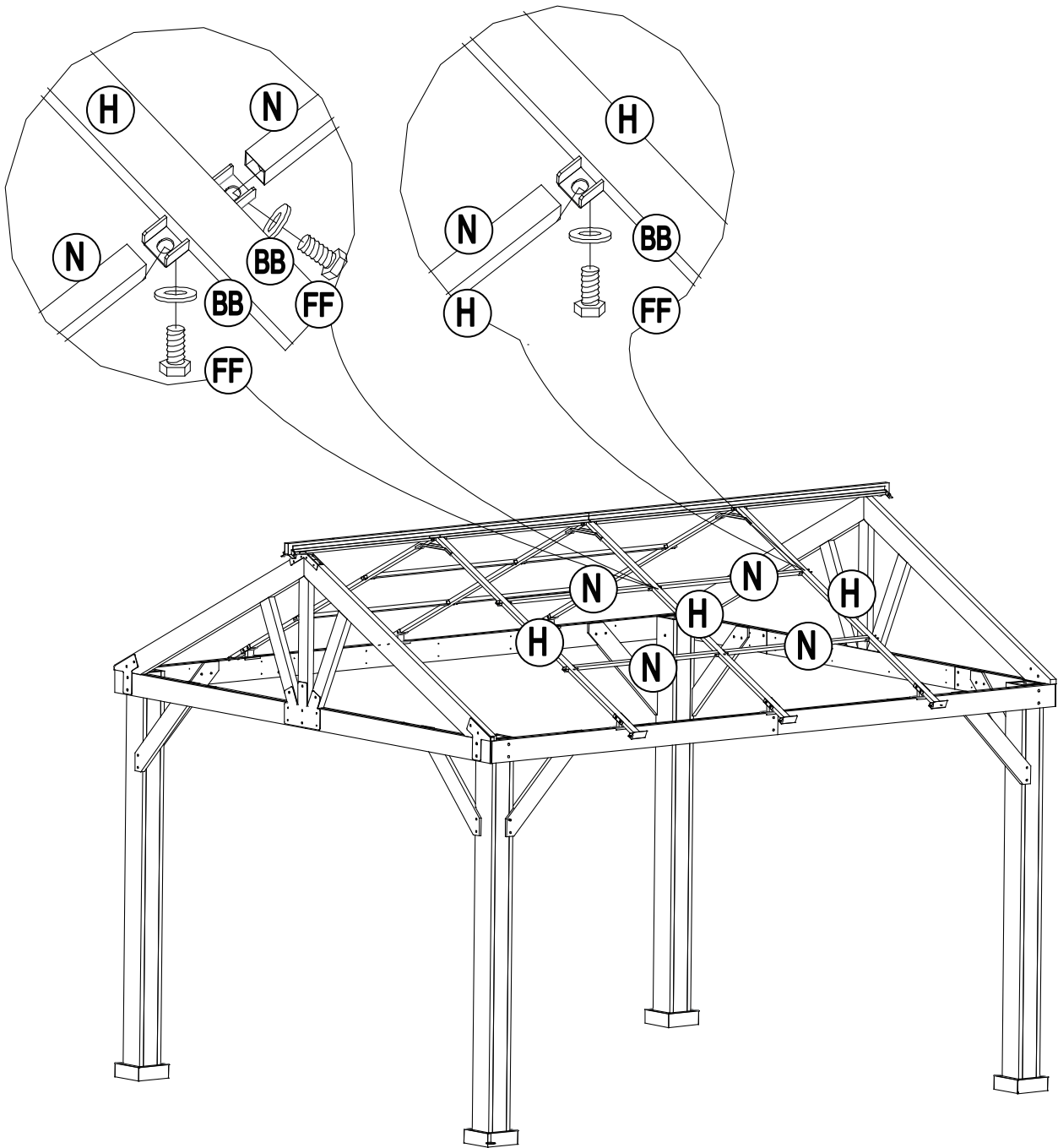
	H x 6pcs		BB x 36pcs
	I x 6pcs		FF x 12pcs
	DD x 12pcs		JJ x 12pcs

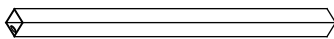

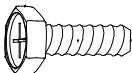
# Step 14



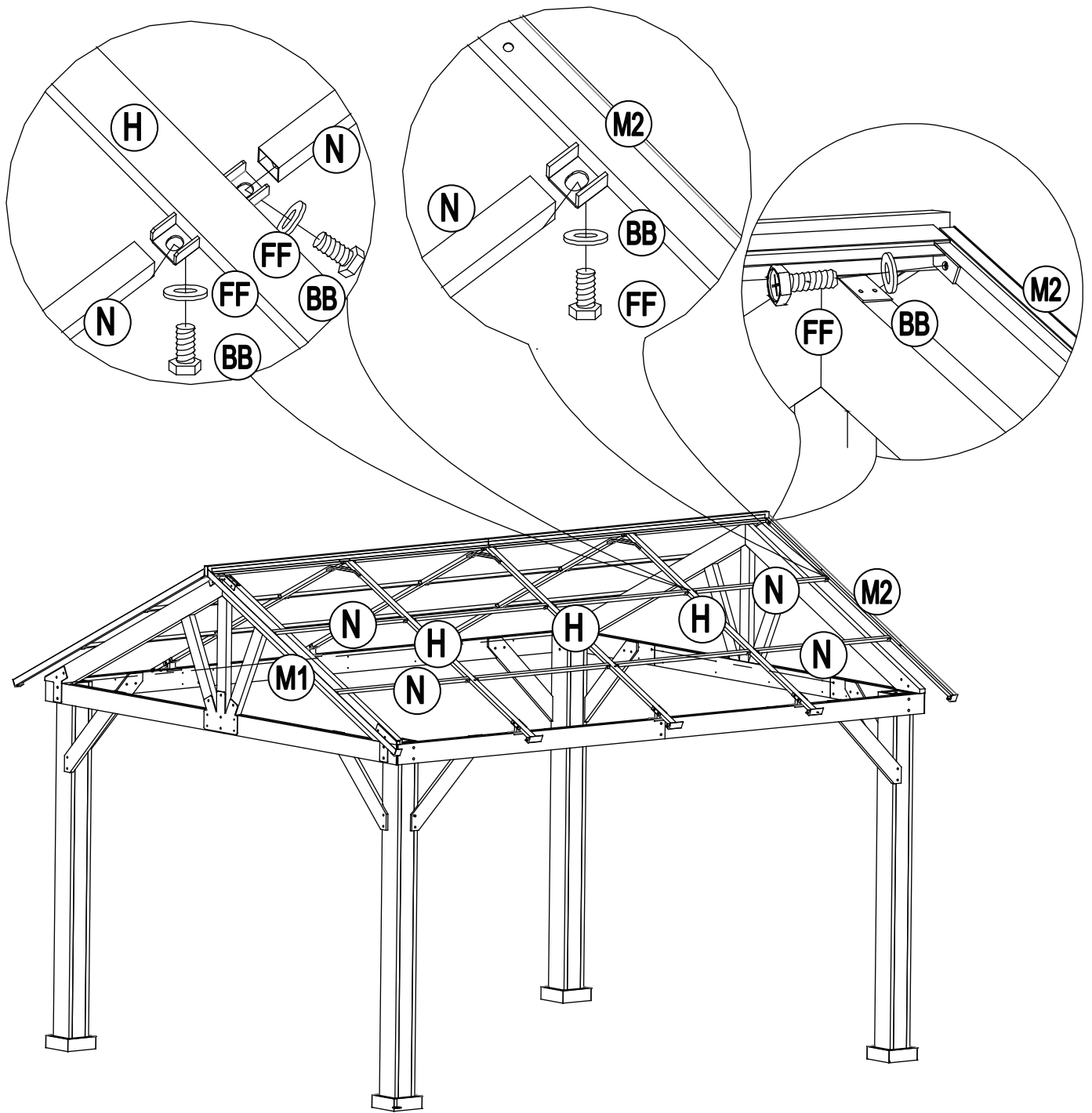
	J1 x 3pcs		BB x 6pcs
	P x 1pc		FF x 6pcs

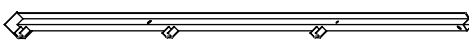

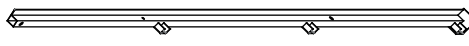
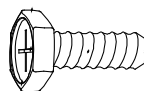
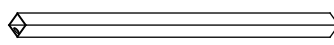
# Step 15



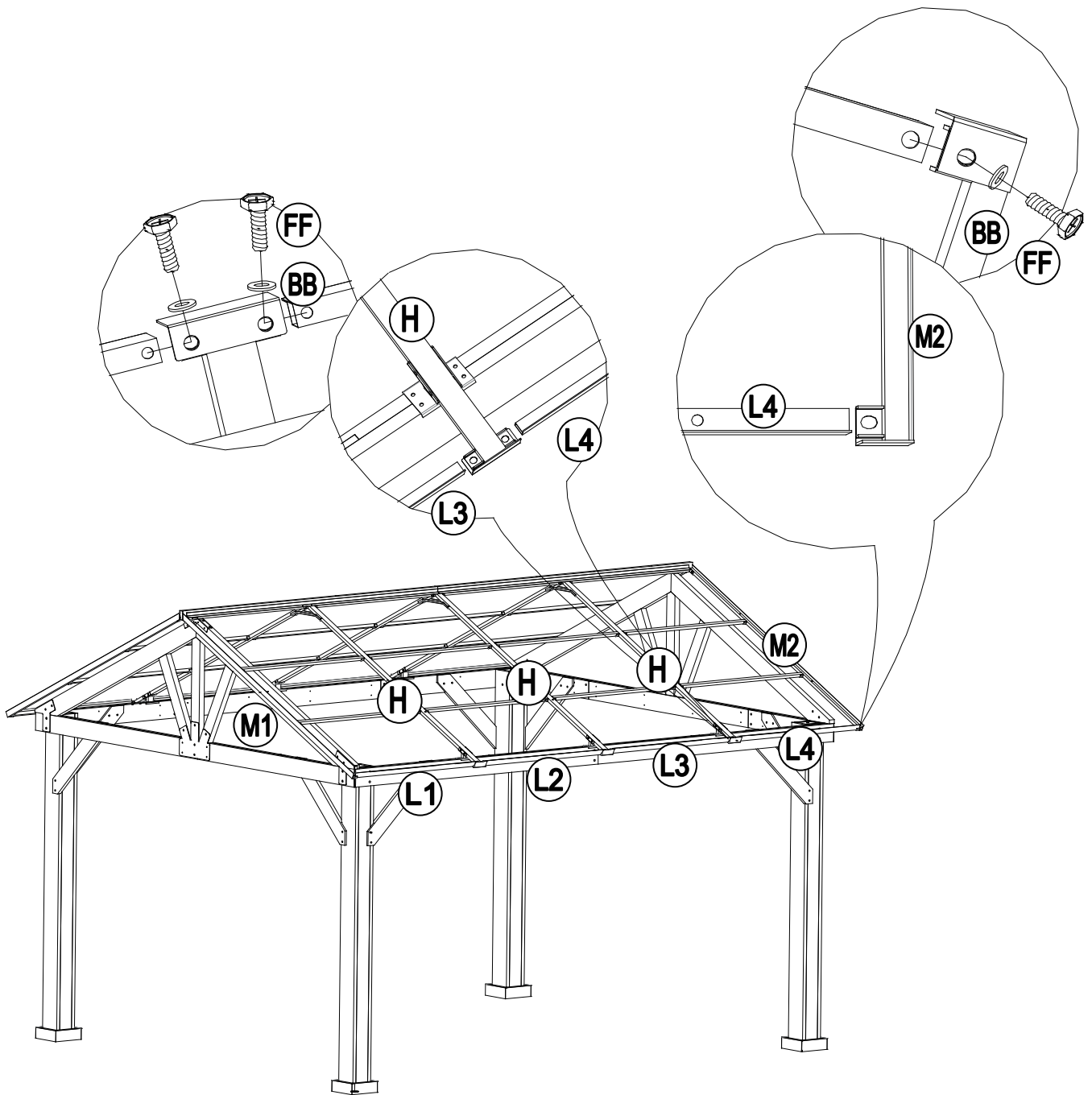
	N x 8pcs		BB x 16pcs
			FF x 16pcs

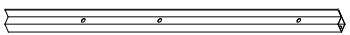

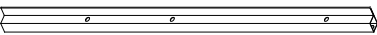
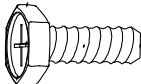
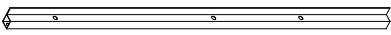
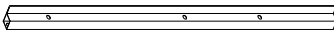
# Step 16



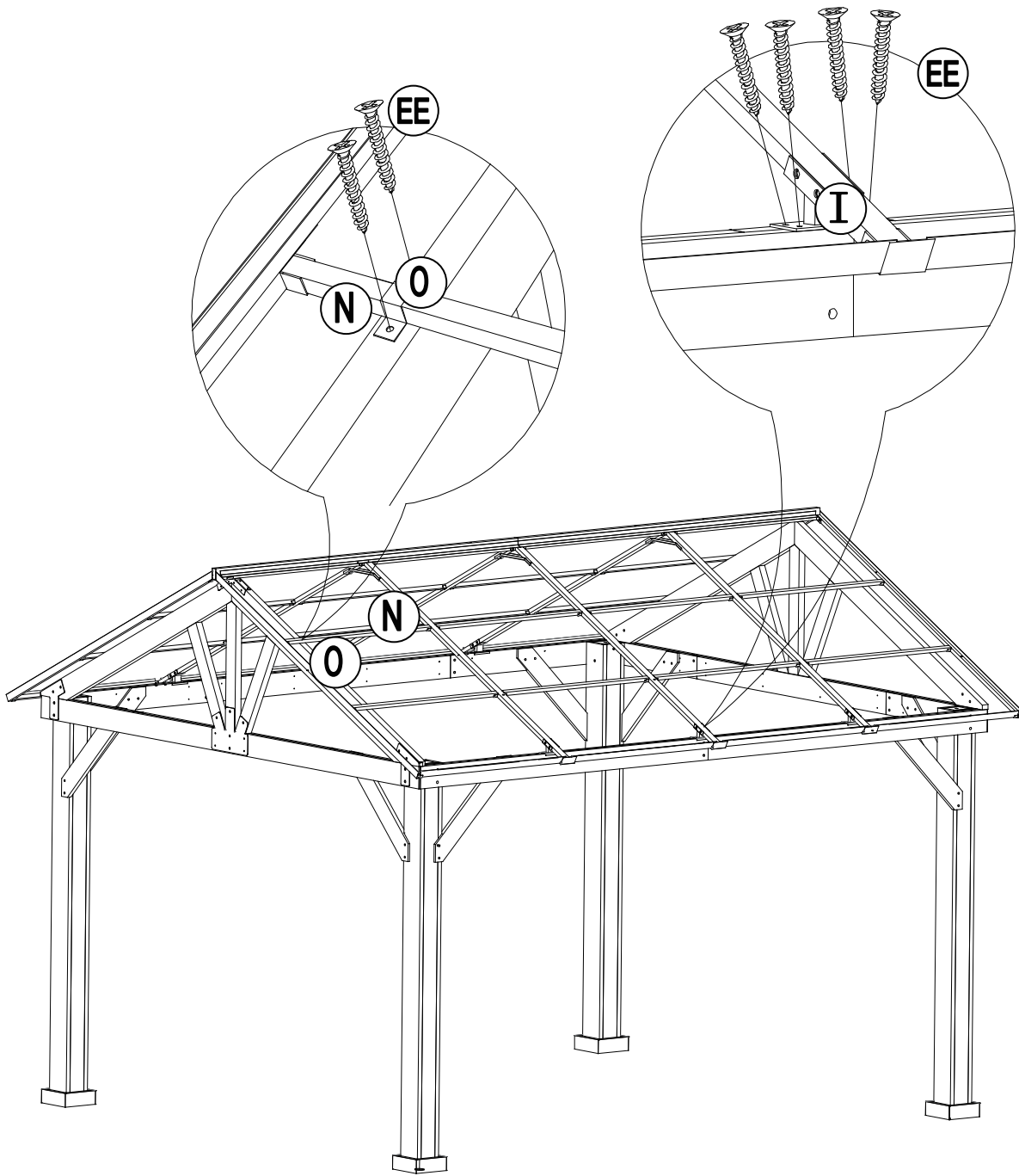
	M1 x 2pcs		BB x 20pcs
	M2 x 2pcs		FF x 20pcs
	N x 8pcs		

# Step 17

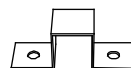


	L1 x 2pcs		BB x 16pcs
	L2 x 2pcs		FF x 16pcs
	L3 x 2pcs		L4 x 2pcs

# Step 18

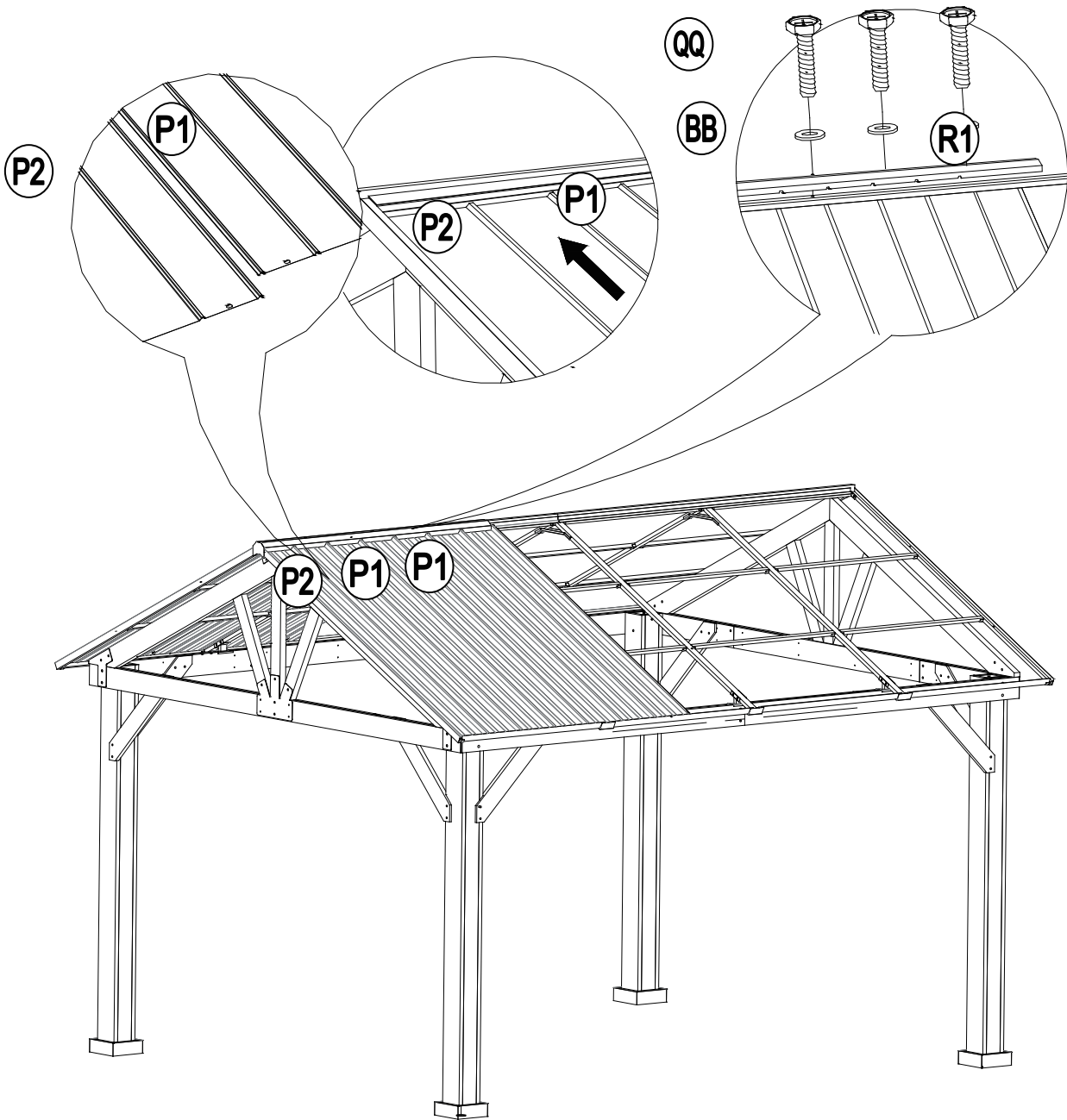




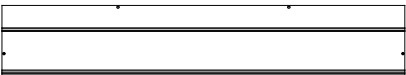
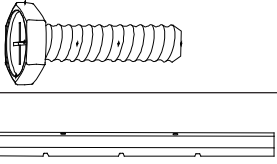
EE x 40pcs



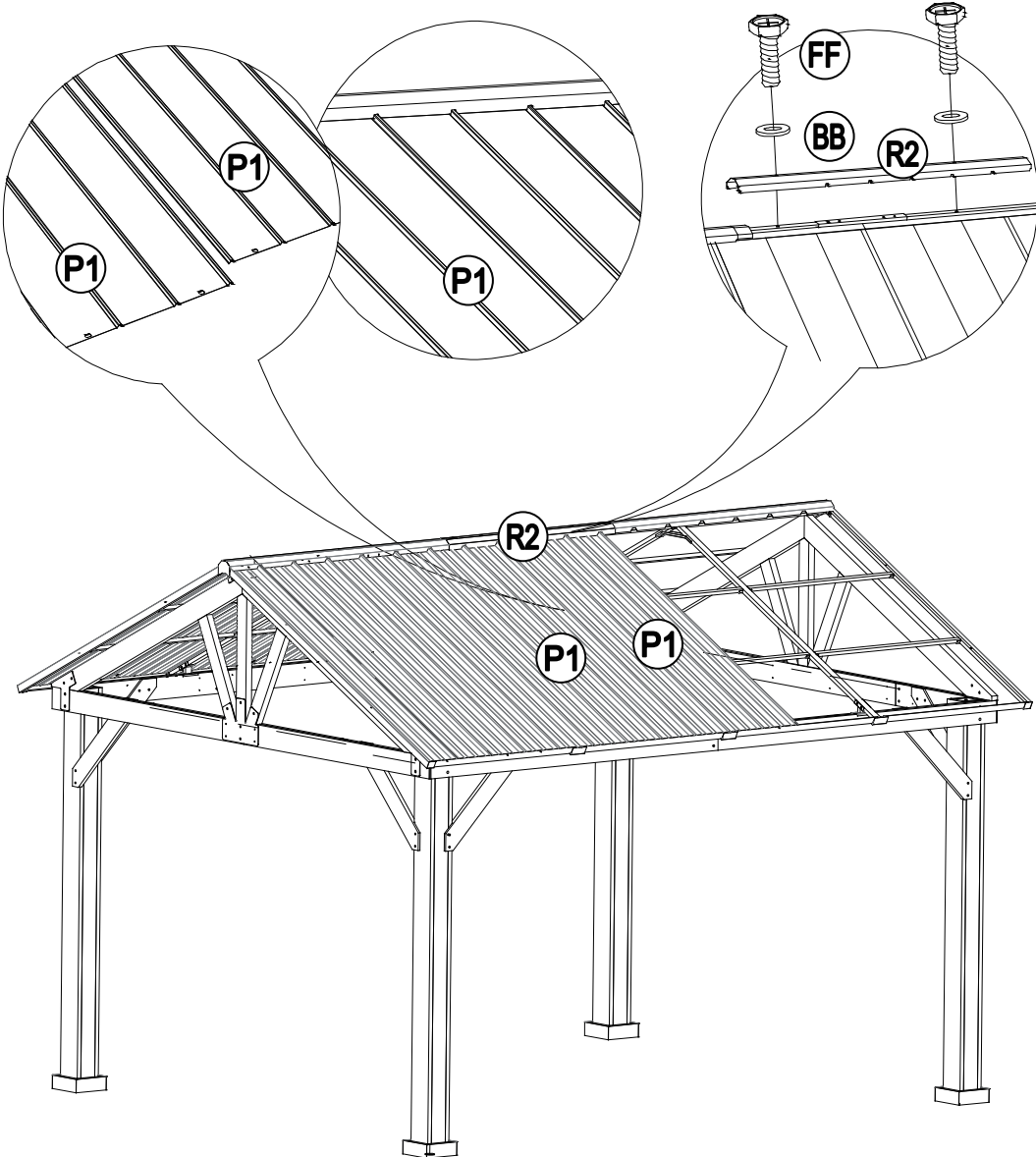
O x 8pcs

# Step 19



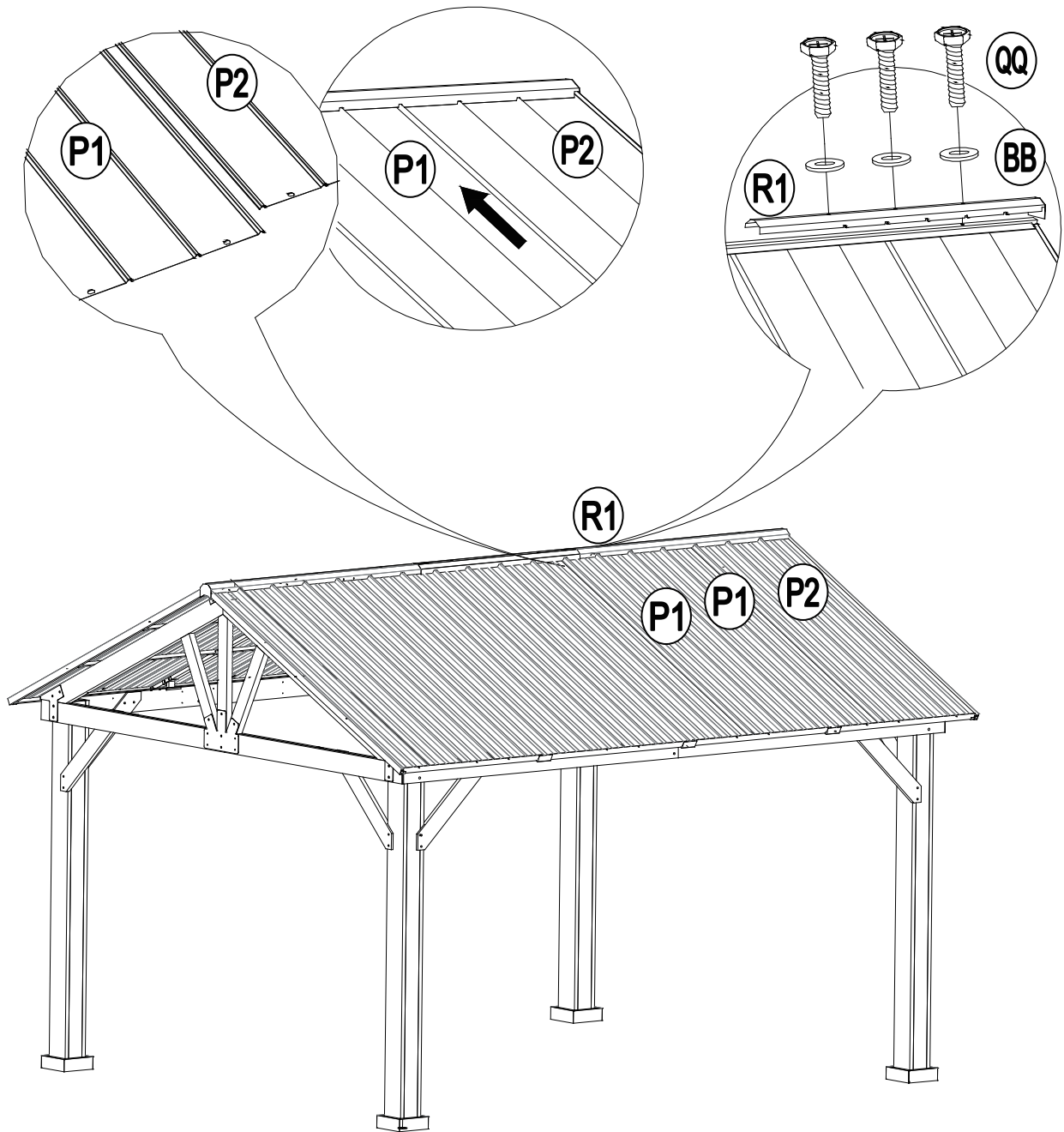
 <p>P1 x 4pcs</p>	 <p>BB x 3pcs</p>
 <p>P2 x 2pcs</p>	 <p>QQ x 3pcs</p> <p>R1 x 1pc</p>

# Step 20



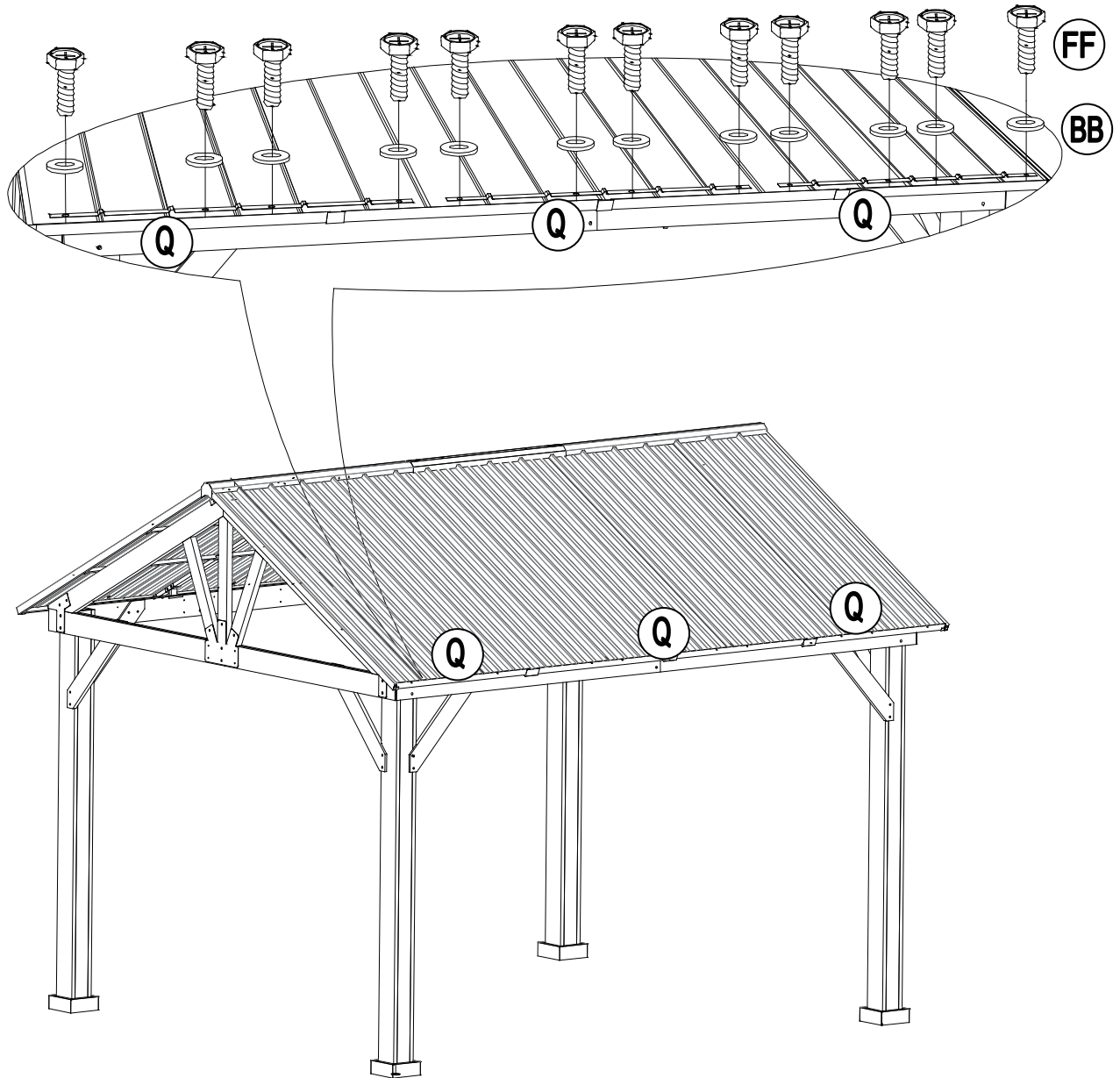
	<p>P1 x 2pcs</p>		<p>BB x 2pcs</p>
	<p>R2 x 1pc</p>		<p>QQ x 2pcs</p>

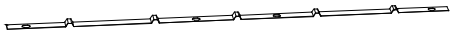

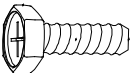
# Step 21



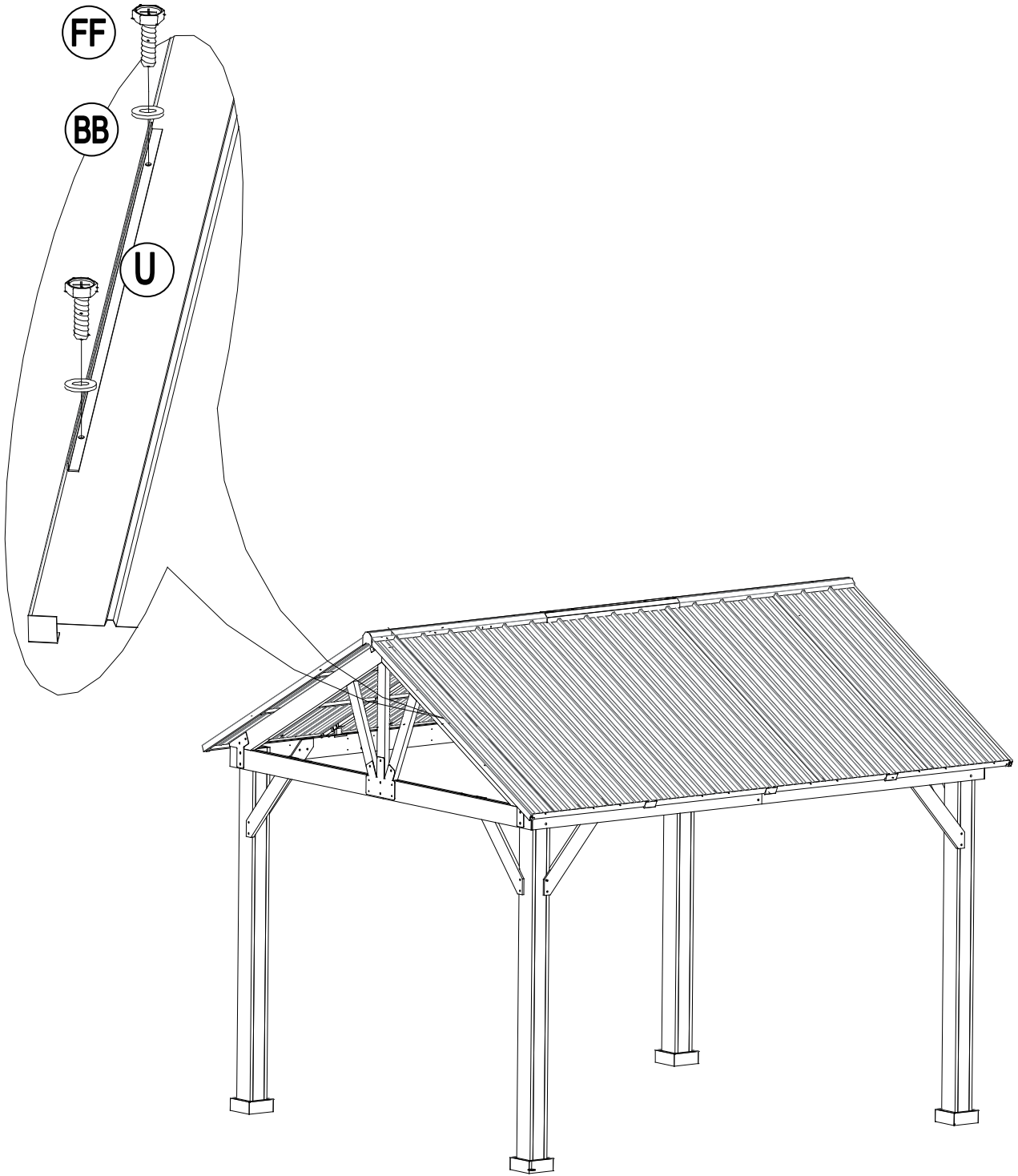
	P1 x 4pcs		BB x 3pcs
	P2 x 2pcs		QQ x 3pcs
			R1 x 1pc

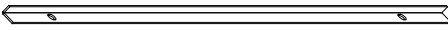

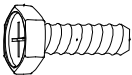
# Step 22



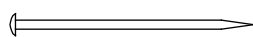
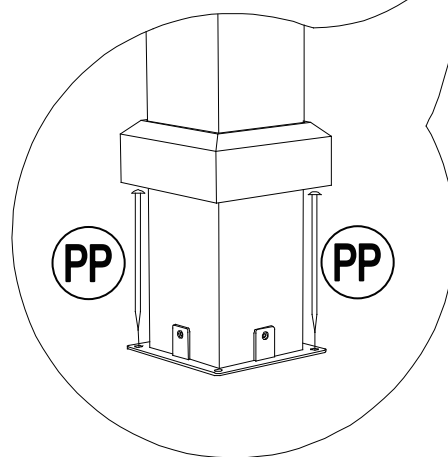
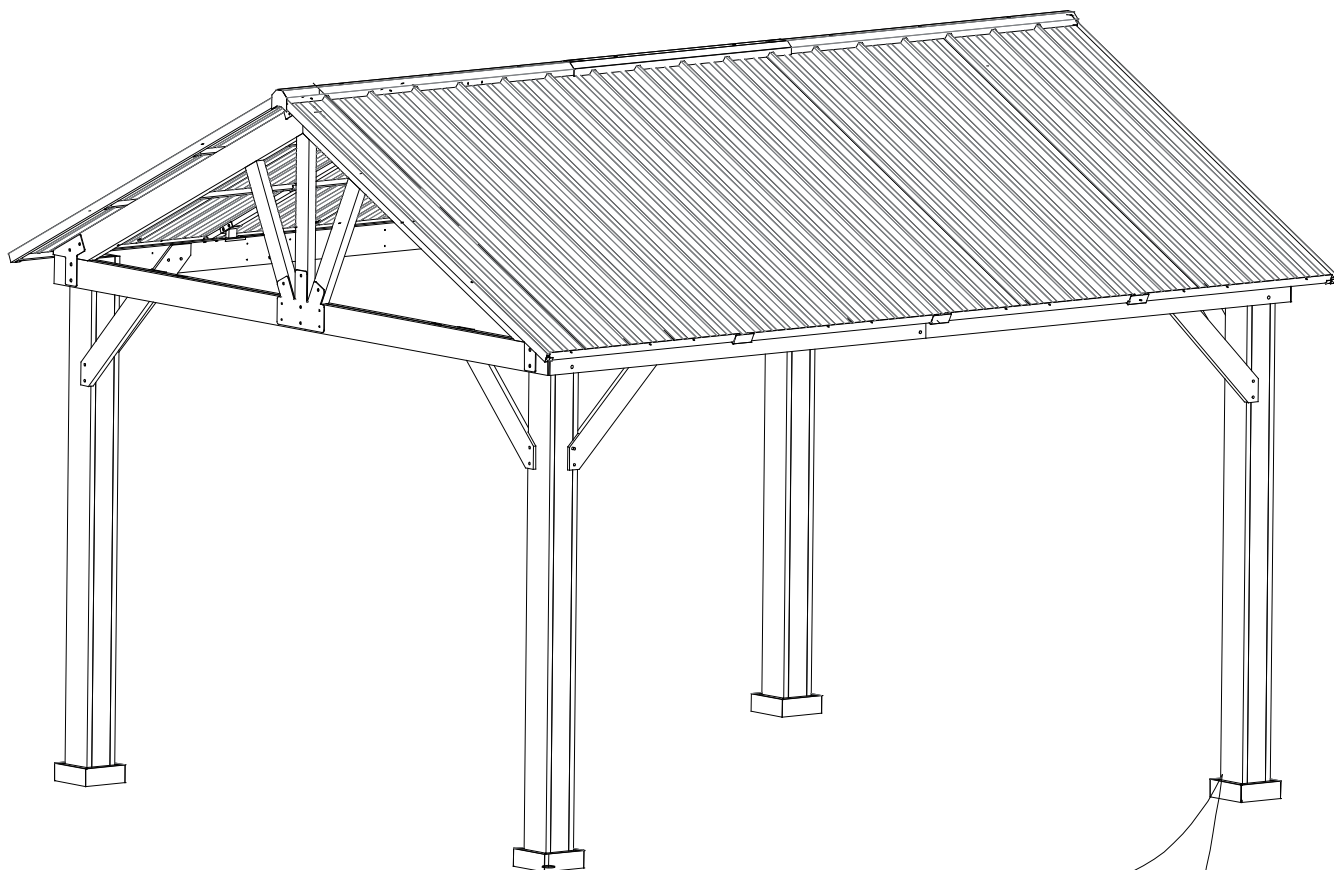
 Q x 6pcs	 BB x 24pcs
	 FF x 24pcs

# Step 23



 U x 4pcs	 BB x 8pcs
	 FF x 8pcs

# Step 24



PP x 8pcs