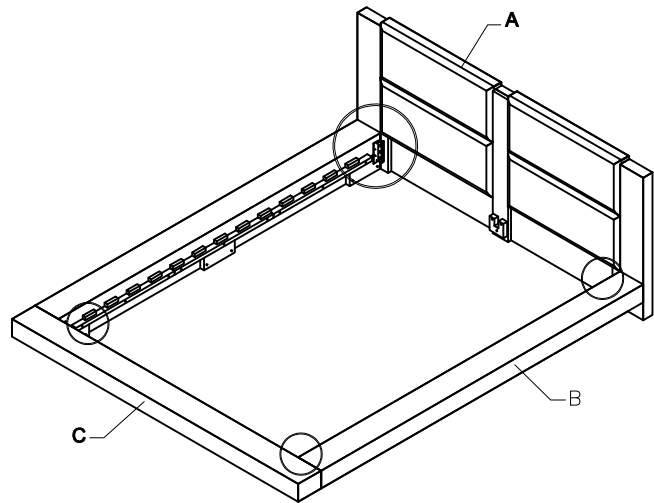
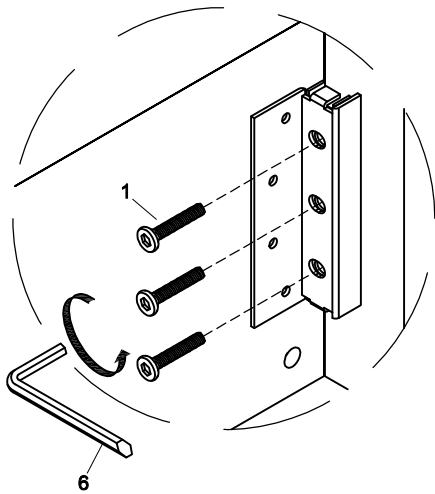
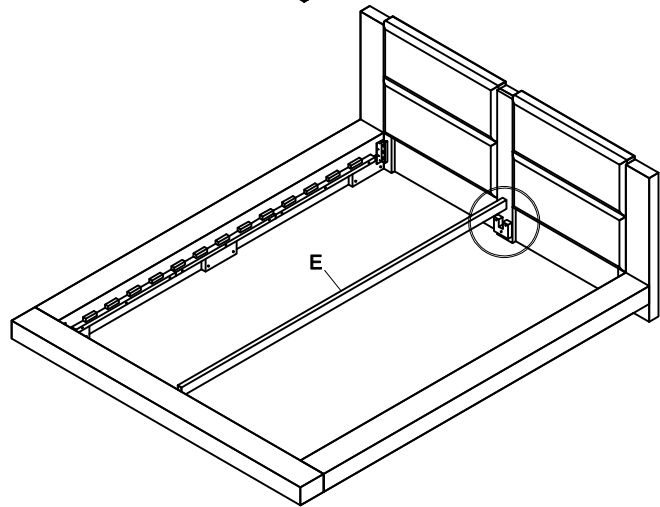
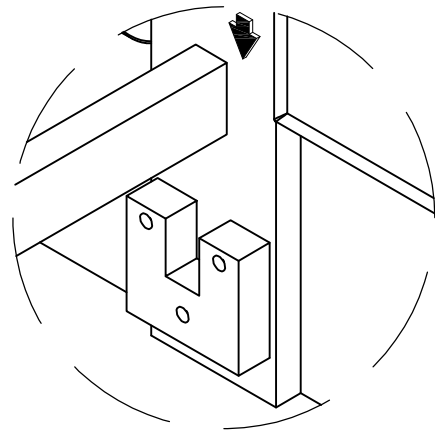





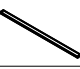

STEP 1





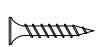



STEP 2

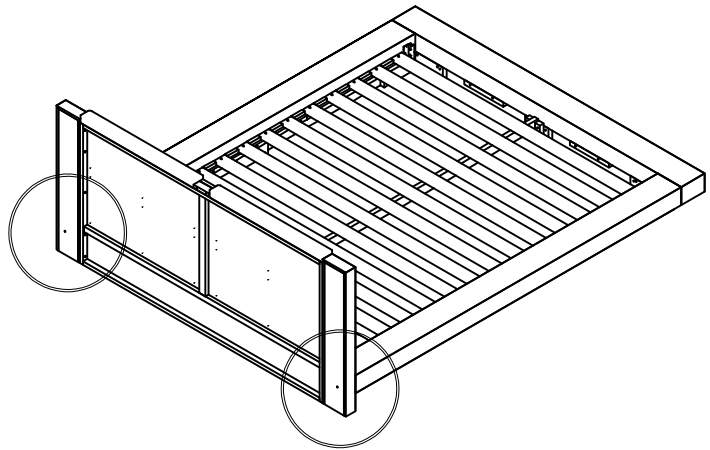
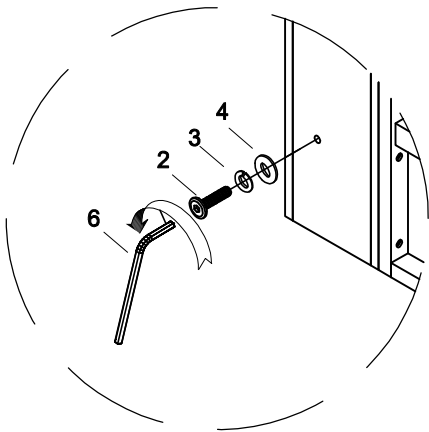


PARTS INCLUDED

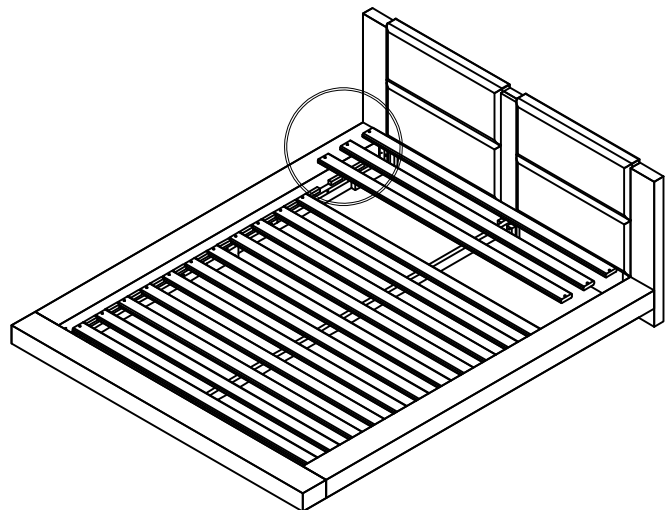
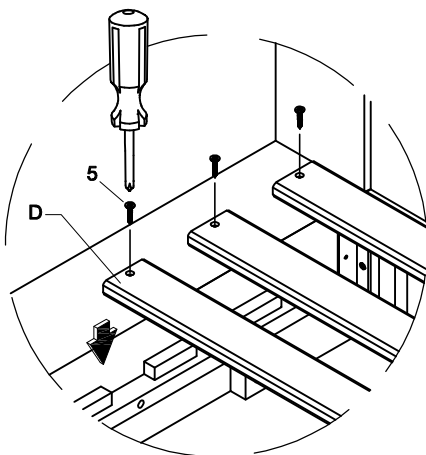
NO.	ITEM	DESCRIPTION	QTY.
A		HAEDBOARD	1 pc.
B		SIDE RAILS	2 pcs.
C		FOOTBOARD	1 pc.
D		BED SLATS	14 pcs.
E		SUPPORT SLAT	1 pc.

NO.	ITEM	DESCRIPTION	QTY.
1		Bolt (M6x12mm)	12 pcs.
2		Bolt (M8x80mm)	2 pcs.
3		Lock Washer Ø5/16"	2 pcs.
4		Flat Washer Ø5/16"	2 pcs.
5		Screw (30x8mmØ)	28 pcs.
6		Allen wrench(4mm)	1 pc.

STEP 3



STEP 4



FINISH

