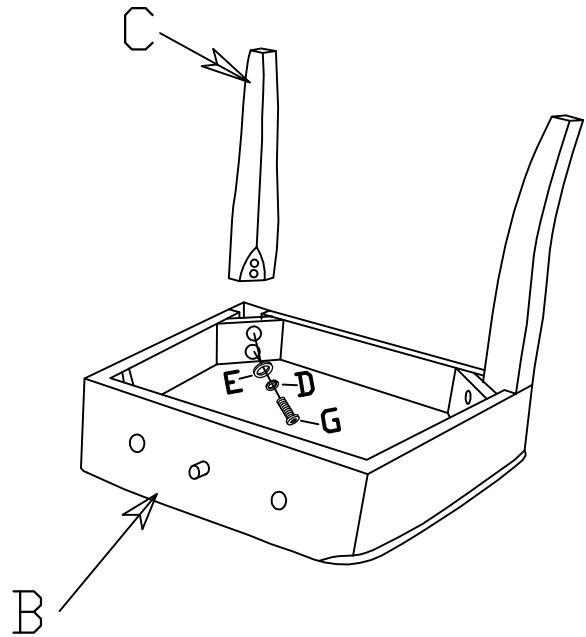


ASSEMBLY INSTRUCTION

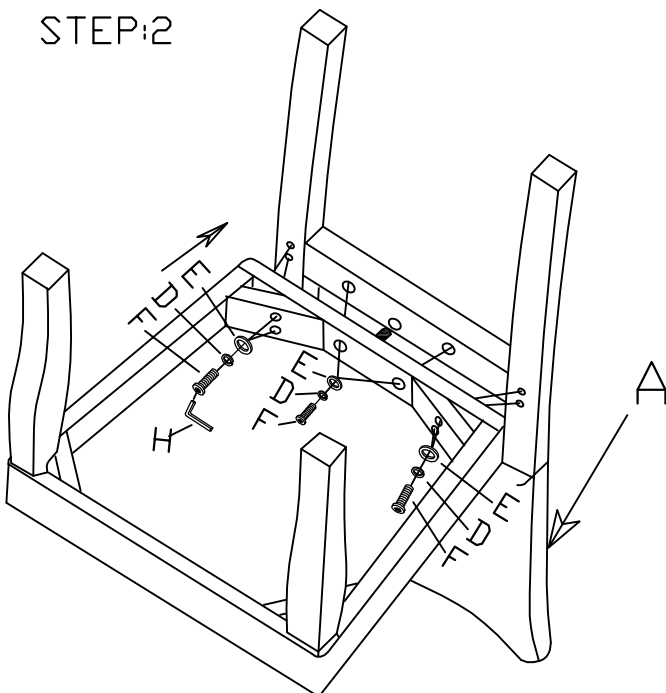
DO NOT TIGHTEN SCREWS UNTIL COMPLETELY ASSEMBLED

No	DESCRIPTION	Q'TY
A	CHAIR BACK	1PC
B	SEAT	1PC
C	FRONT LEG	2PCS
D	LOCK WASHER ø5/16"	10PCS
E	FLAT WASHER ø5/16"	10PCS
F	BOLT 1/4"DIA ø5/16"X3"	6PCS
G	BOLT 1/4"DIA ø5/16"X2"	4PCS
H	ALLEN WRENCH ø5/16"	1PC

STEP:1



STEP:2



STEP:3

