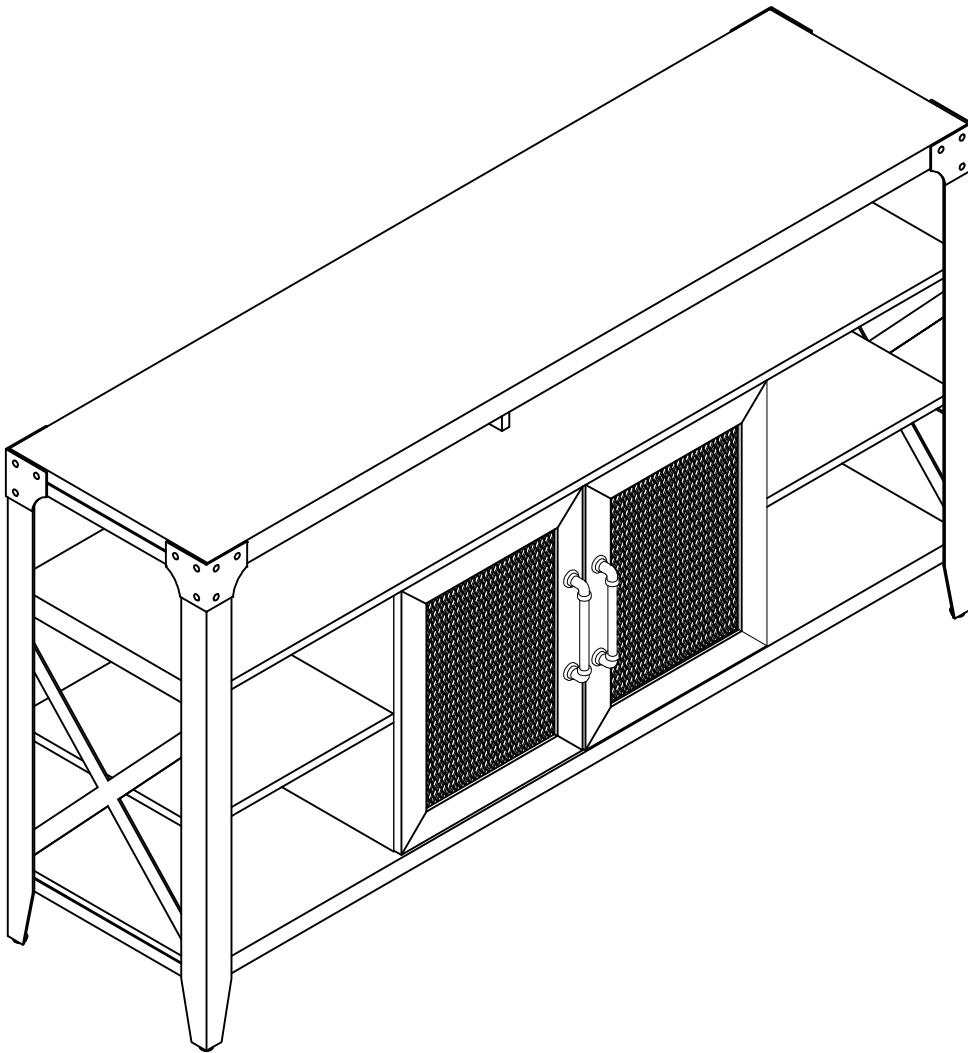


Assembly Instructions

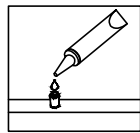


General Assembly Guidelines

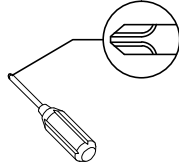
- I. Ensure that all parts and hardware are available before beginning assembly.
- II. Follow each step carefully to ensure the proper assembly of this product.
- III. Two people are recommended for ease in the assembly of this product.
- IV. The three main types of hardware used to assemble this product are: wood dowels, screws and bolts.
- V. The provided glue is to secure wood dowels in place. When first inserting dowels, locate the appropriate hole for the dowel, place a small amount of glue in the hole and insert the dowel. Wipe away excess glue immediately.



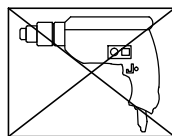
In future assembly steps when dowels are necessary to attach assembly parts together, place a small amount of glue on the end of the dowel before attaching parts together. Wipe away excess glue immediately.



- VI. A Phillips head screwdriver is required for the assembly of this product.

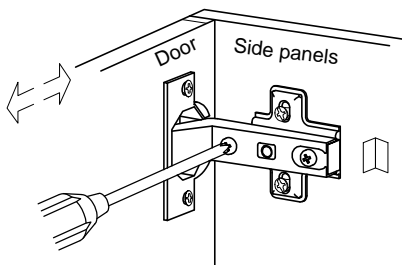


- VII. Power tools should not be used to assemble this product.

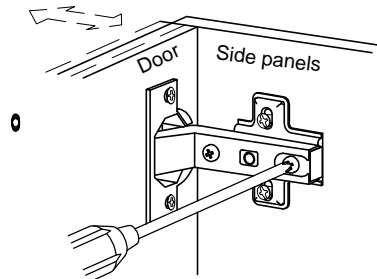


- VIII. Drill may be needed for securing product to wall.

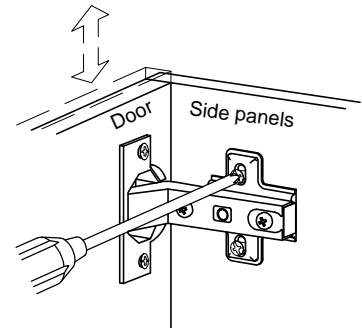
- IX. Concealed hinges are three-way adjustable.



Horizontal
by screw adjustment

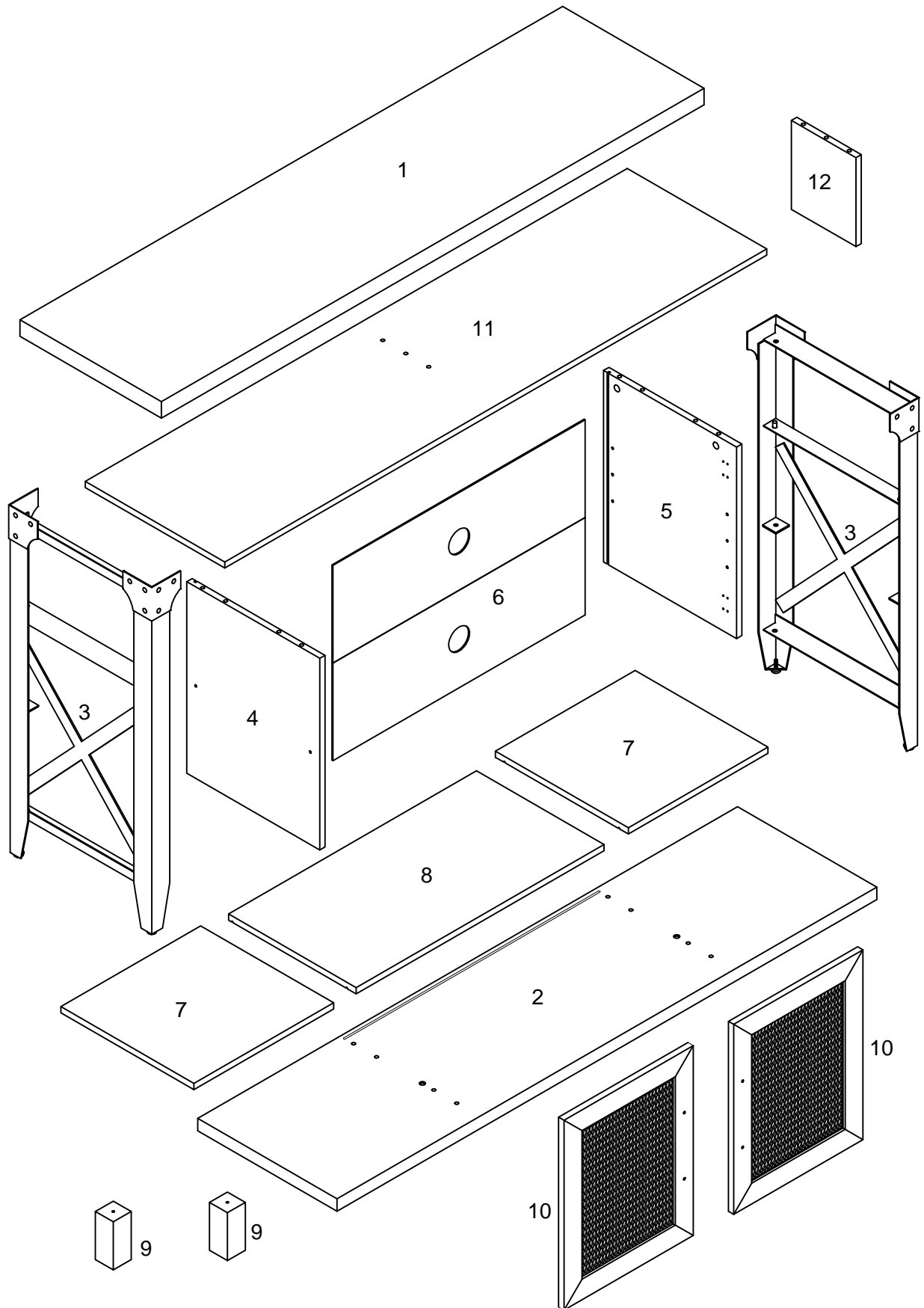


In-and-Out
by loosening the hinge-arm
mounting screw or via cam
adjustment



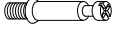


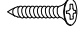

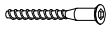
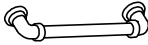
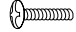


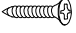

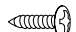
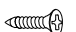
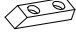
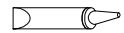
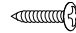





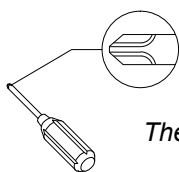
Vertical
Via slots in the mounting
plate or via cam adjustment

Parts List



Hardware List

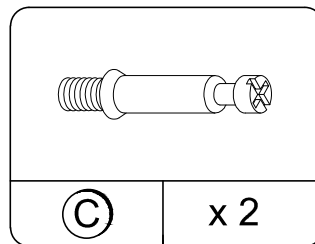
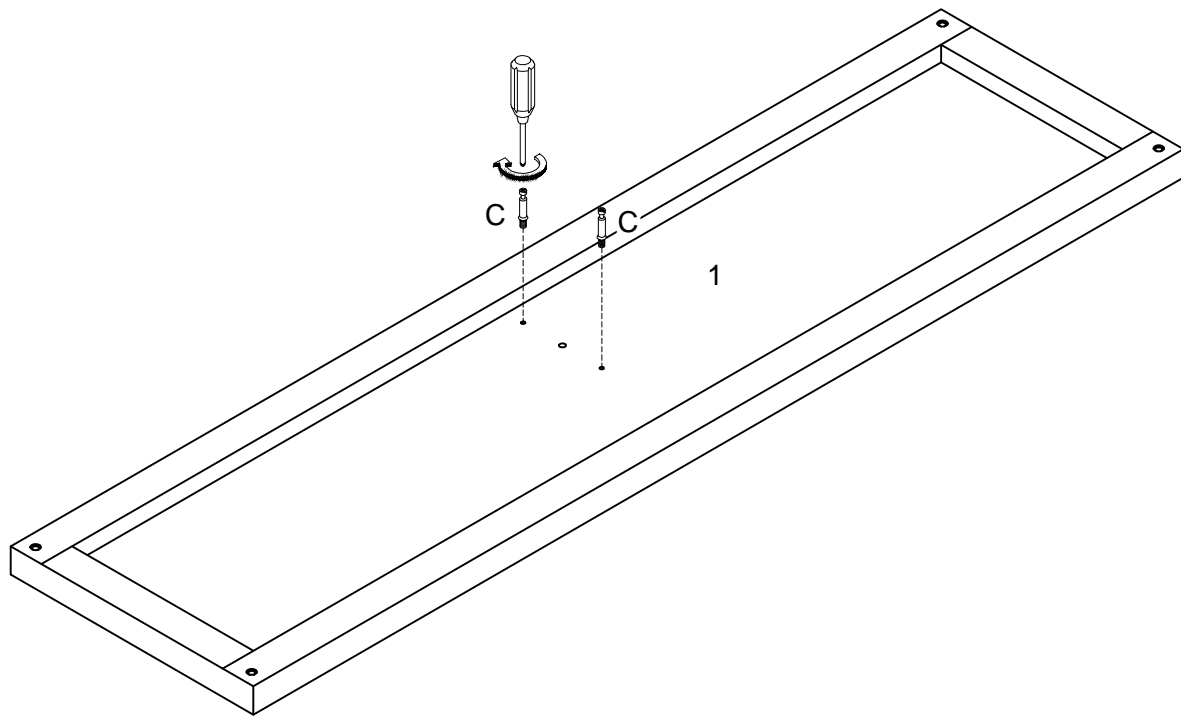
A		Ø8x30mm	Wooden dowel	10 pcs
B		Ø15x11mm	Cam lock	6 pcs
C		Ø6x35mm	Cam bolt	6 pcs
D		Ø30mm	Sticker	6 pcs
E			Hinge	4 pcs
F		Ø3.5x15mm	Screw	24 pcs
G			Shelf support pin	8 pcs
H		Ø6x50	Bolt	8 pcs
J			Handle	2 pcs
K		Ø4x22mm	Handle Bolt	4 pcs
L		M4	Hex Key	1 pc
M			Plastic wedge	6 pcs
N		Ø3x17	Screw	6 pcs
P		M6x13mm	Bolt	12 pcs
Q		Ø3x12mm	Screw	4 pcs
R		Ø3x14mm	Screw	2 pcs
S			Door stopper	1 pcs
T			Glue tube	1 pc
U		Ø4x12mm	Screw	2 pcs
V		Ø4x25mm	Screw	2 pcs
W			Plastic strap	2 pcs
X			Nut	2 pcs



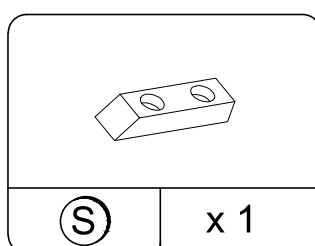
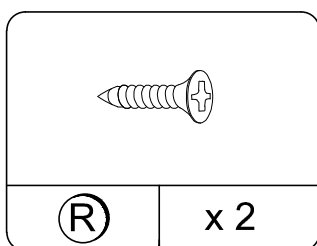
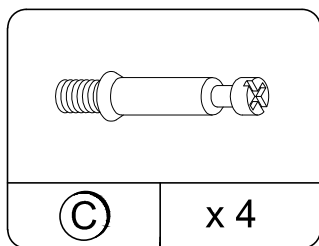
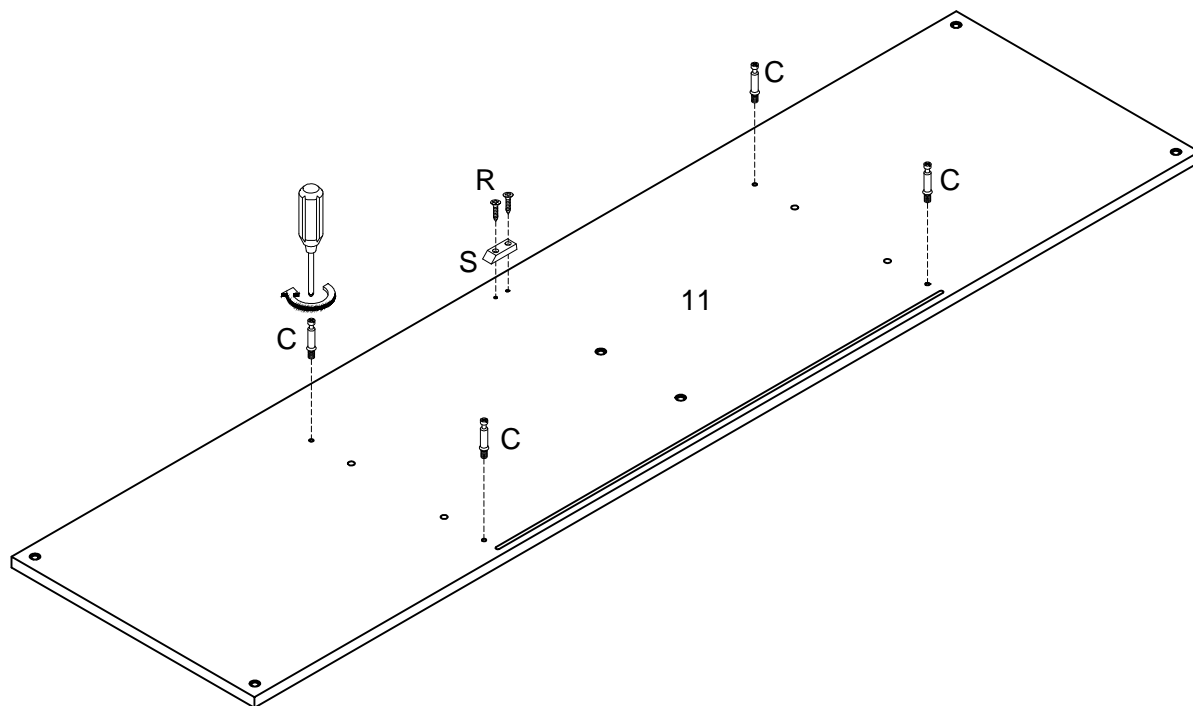
Philips head screwdriver required for assembly
(not included)

*The hardware quantities listed above are required for proper assembly.
Some extra hardware may also have been included.*

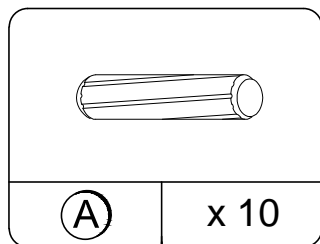
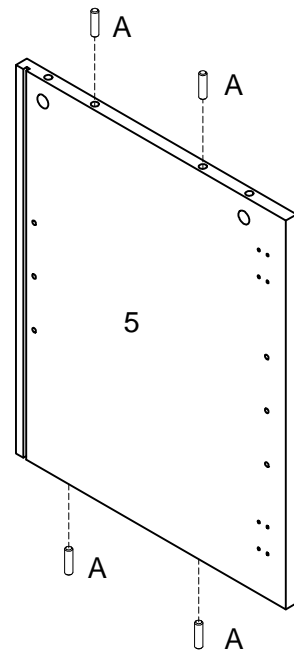
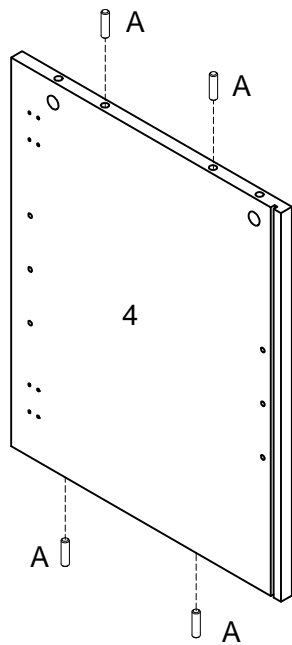
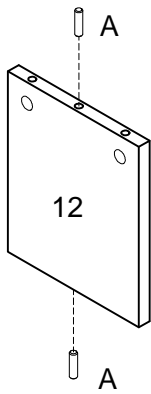
Step 1



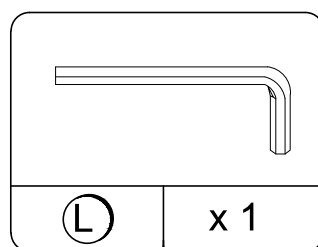
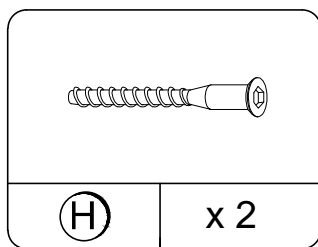
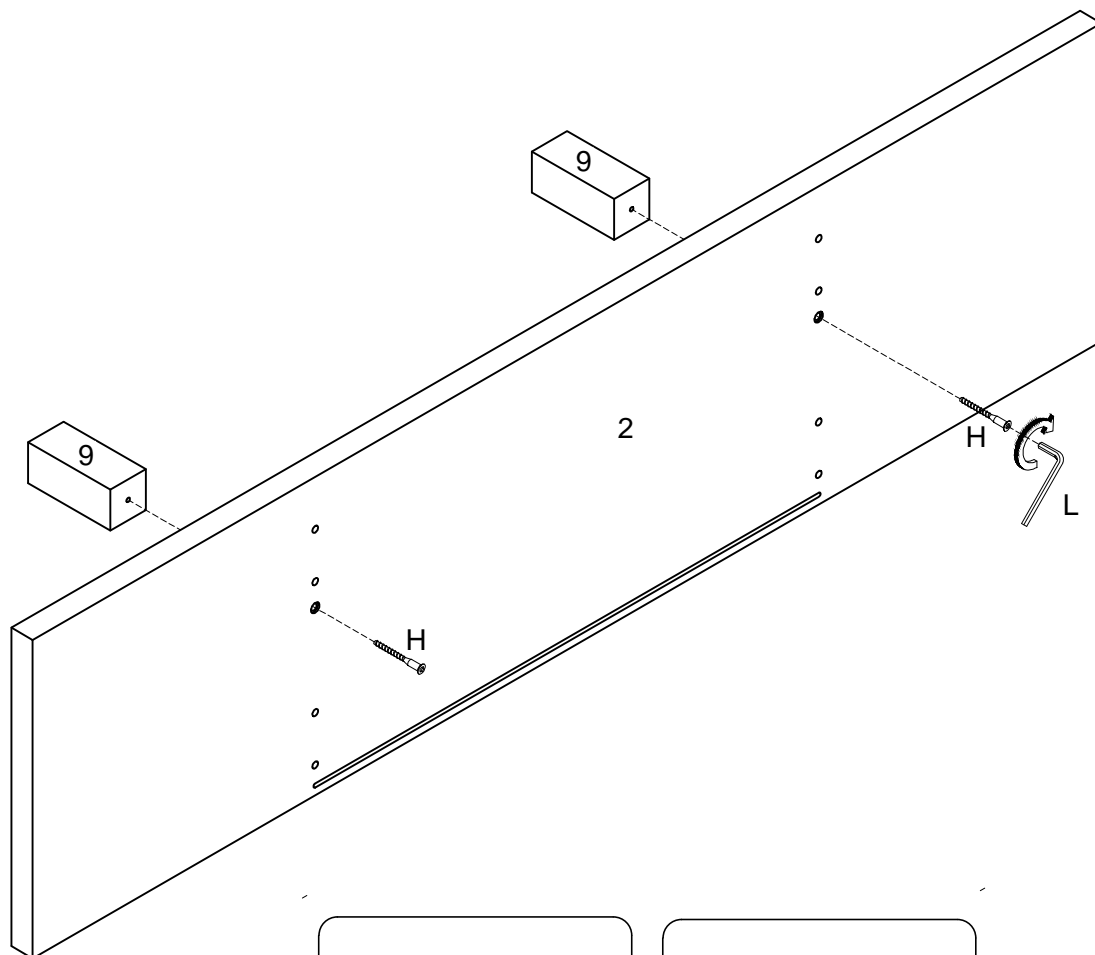
Step 2



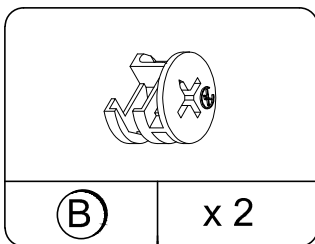
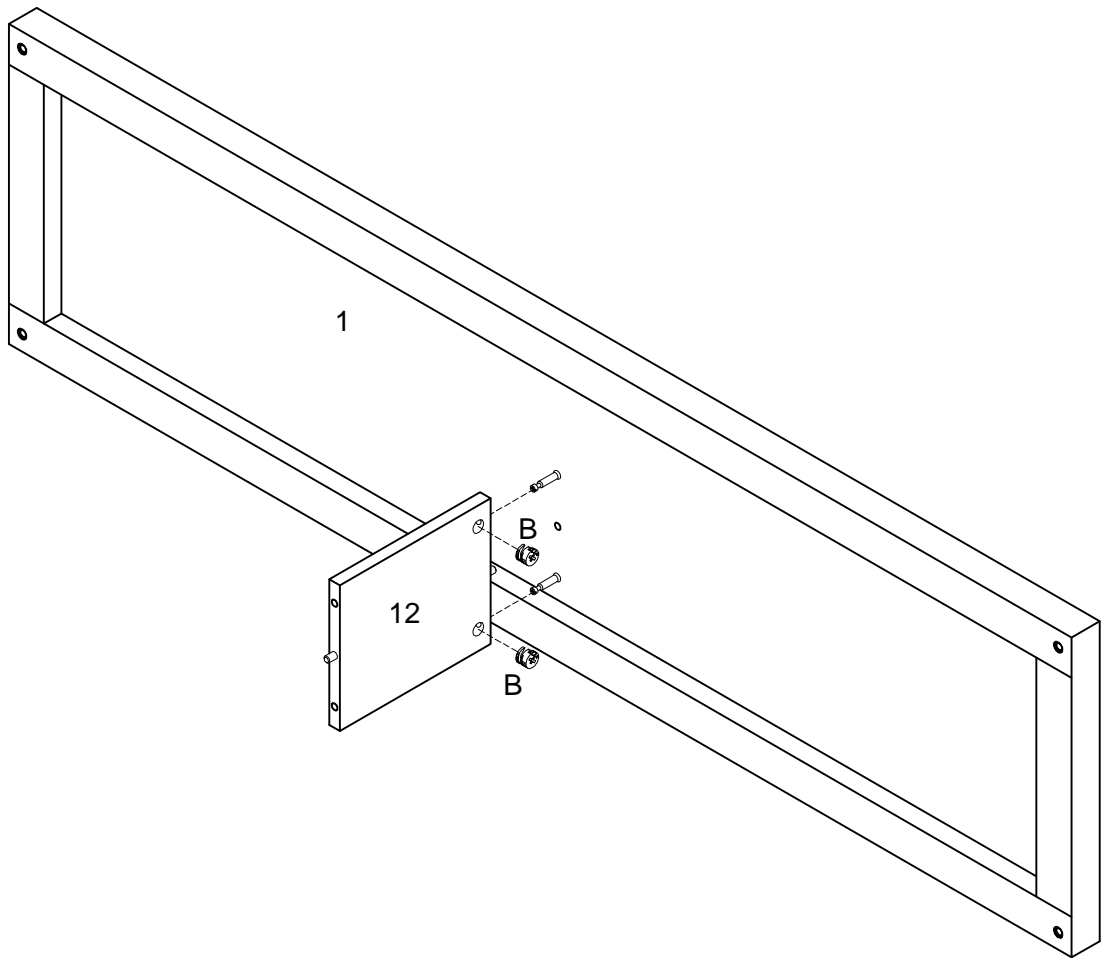
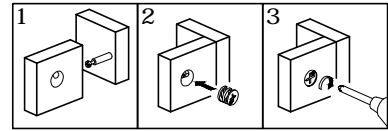
Step 3



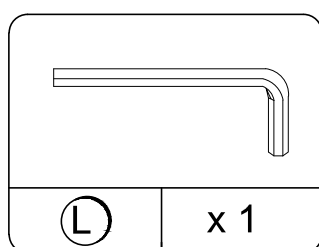
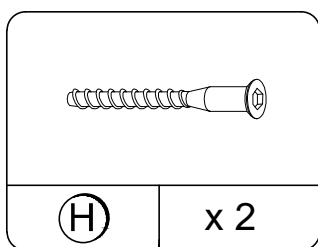
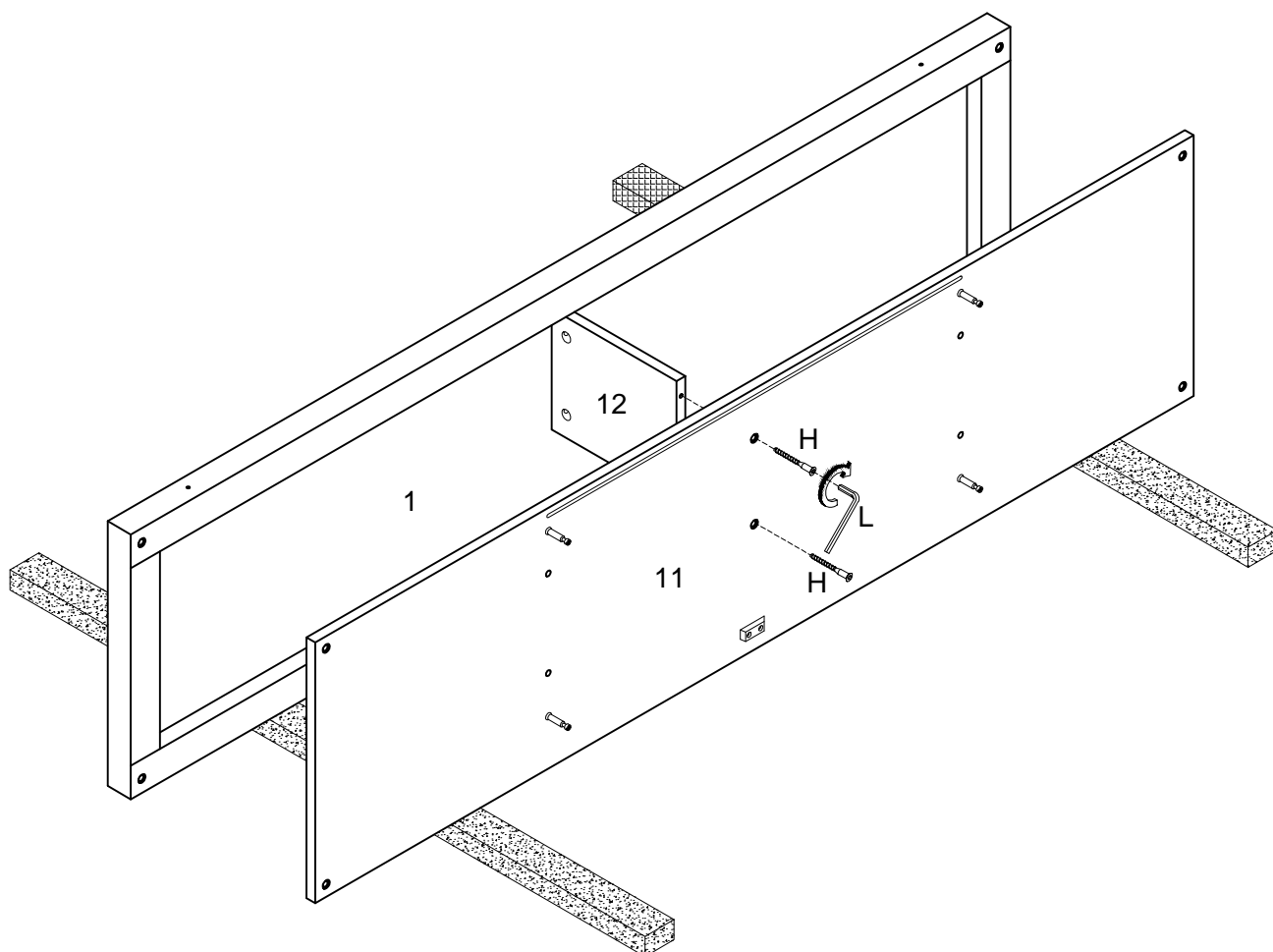
Step 4



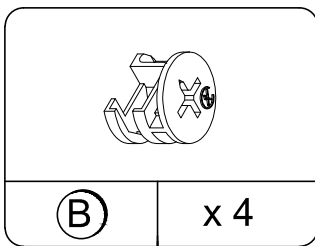
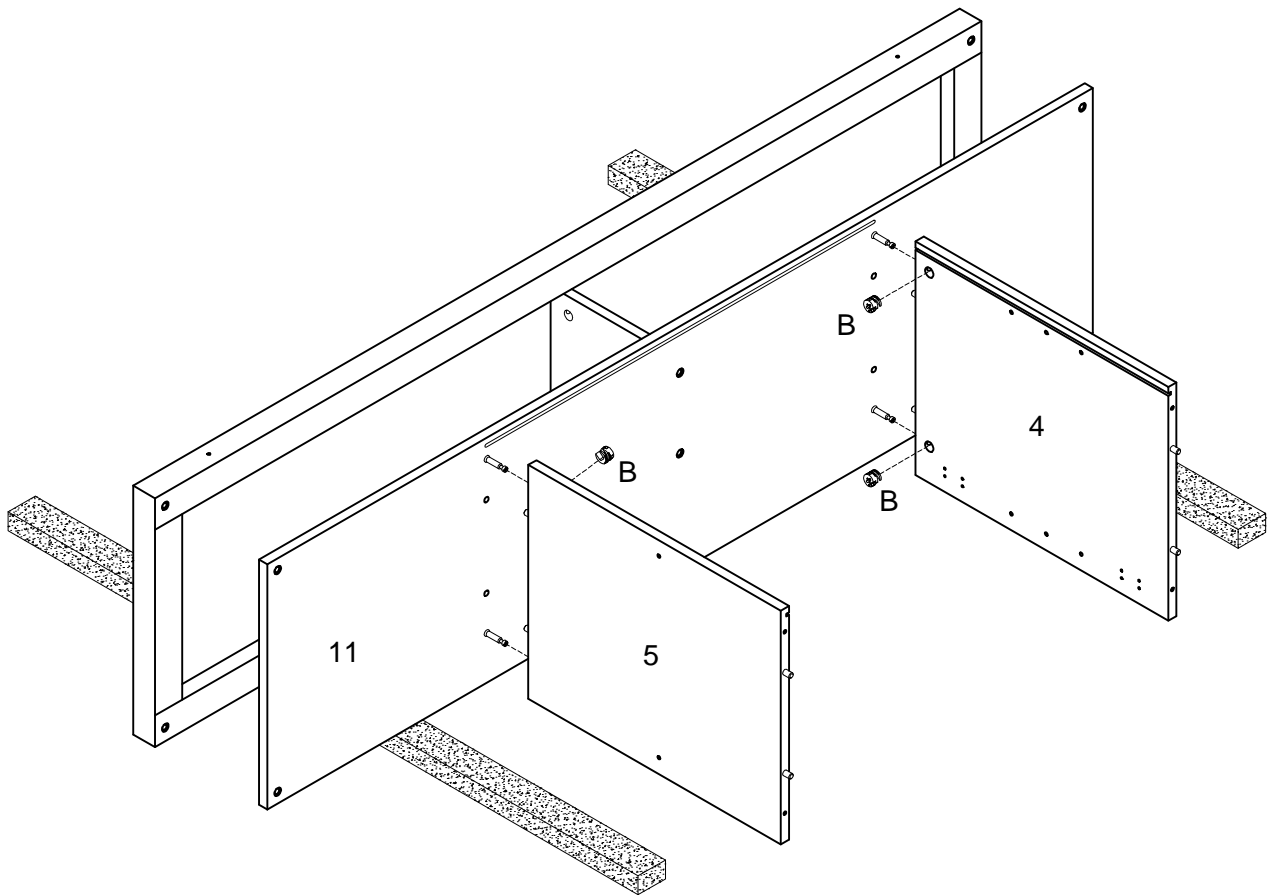
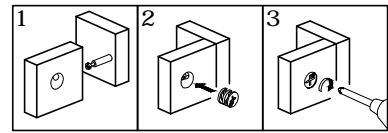
Step 5



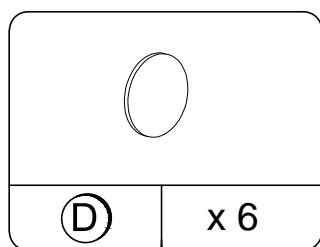
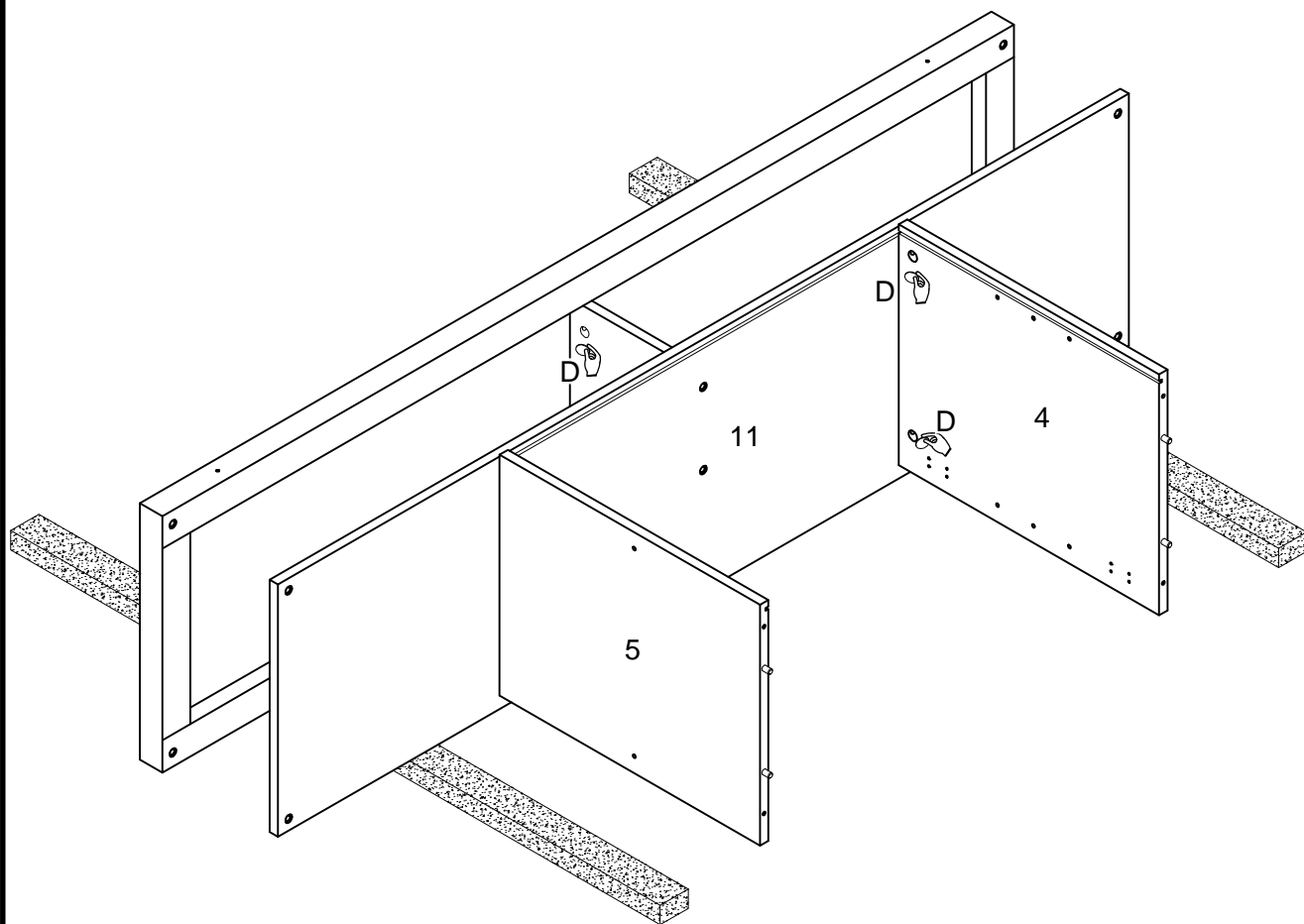
Step 6



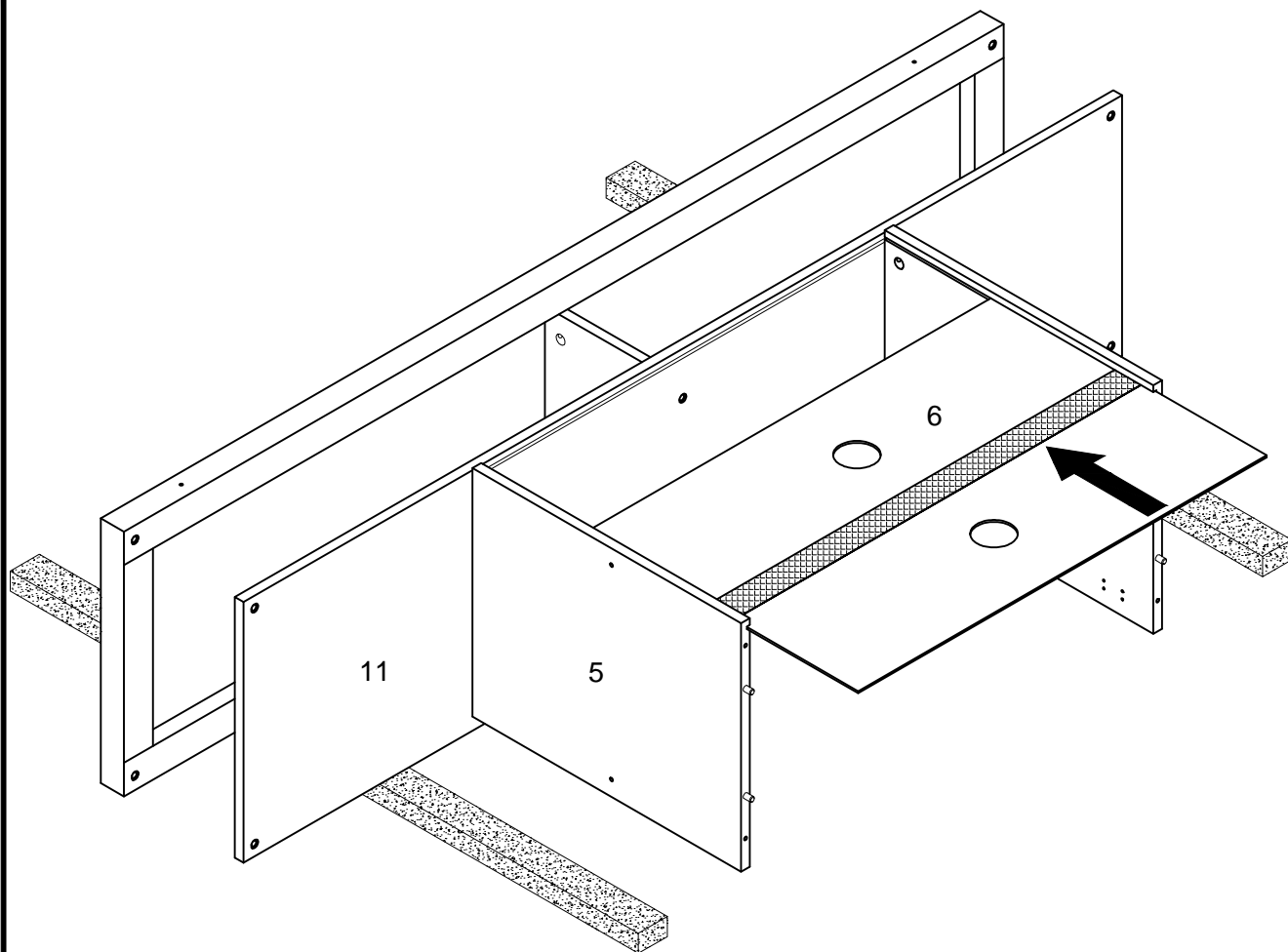
Step 7



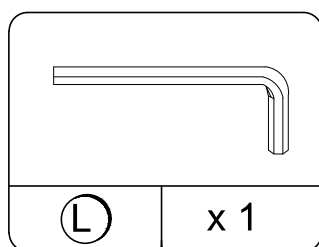
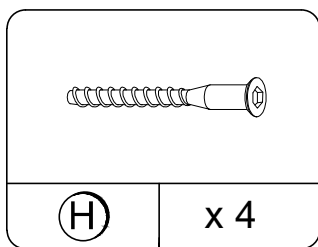
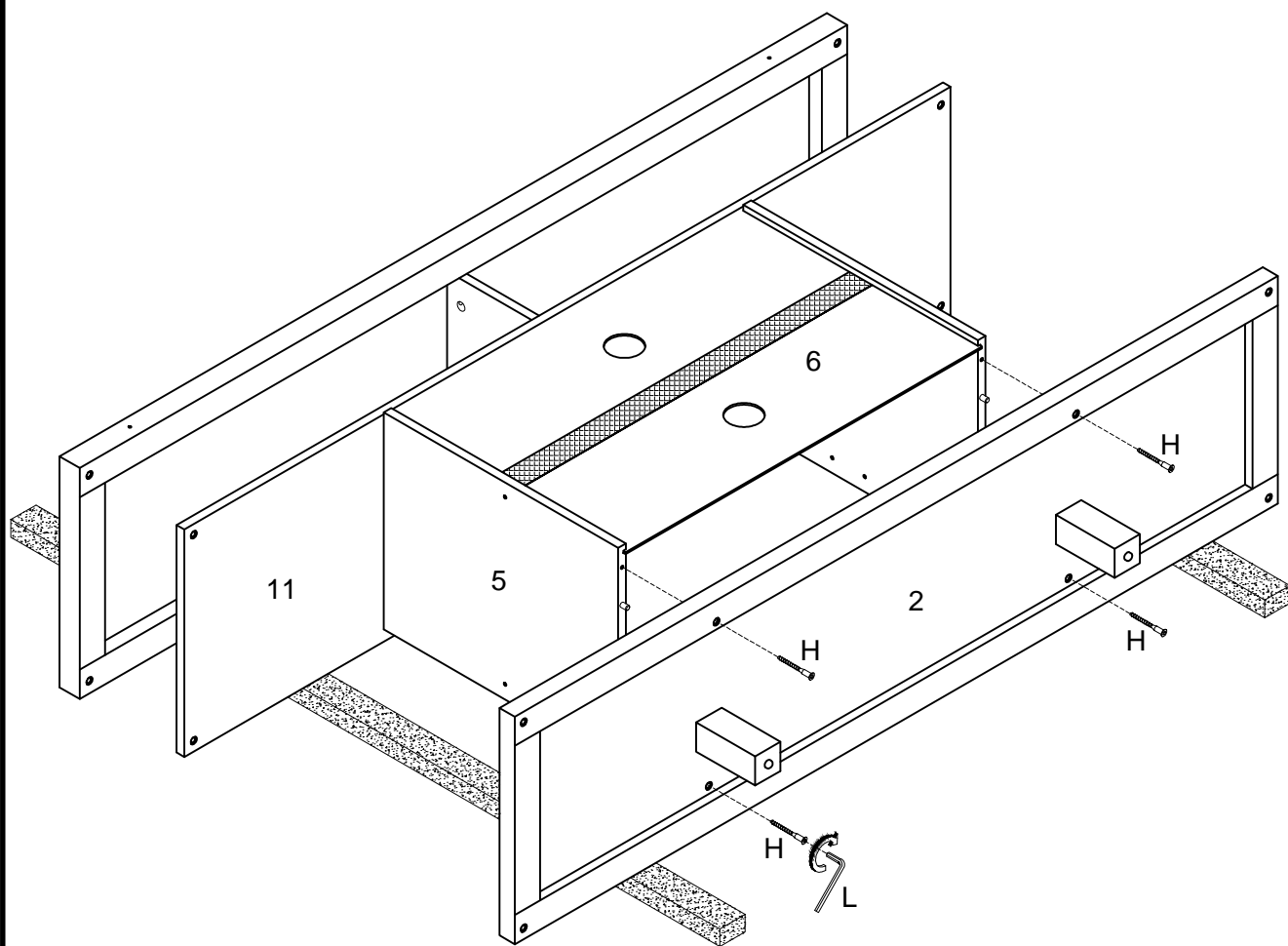
Step 8



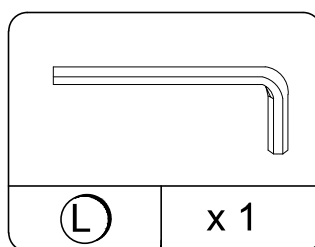
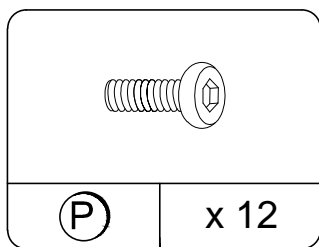
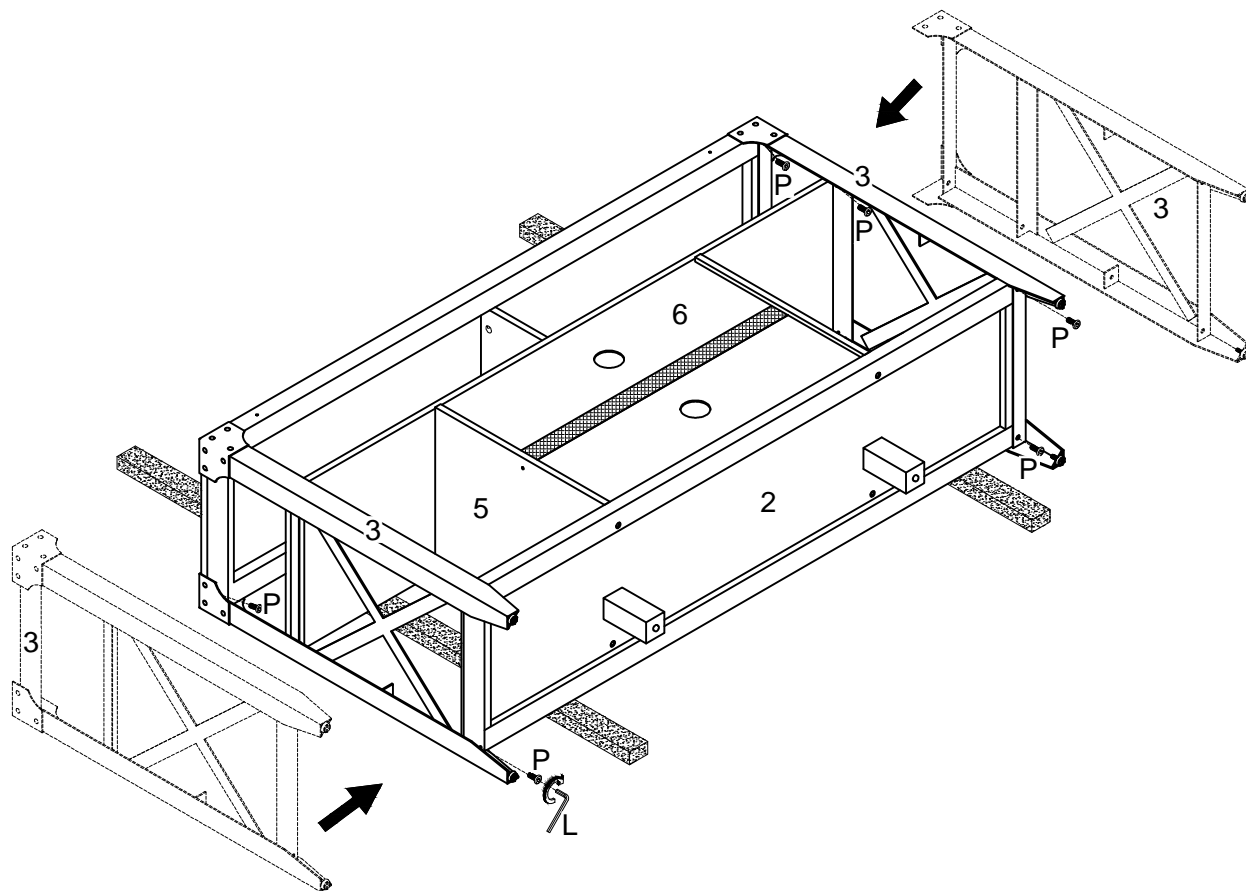
Step 9



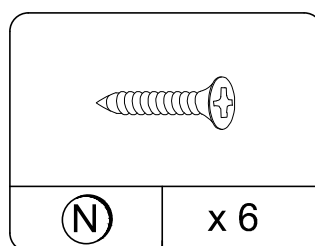
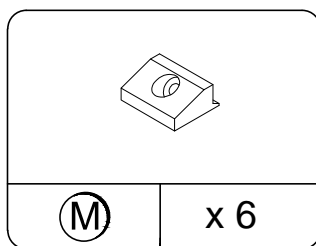
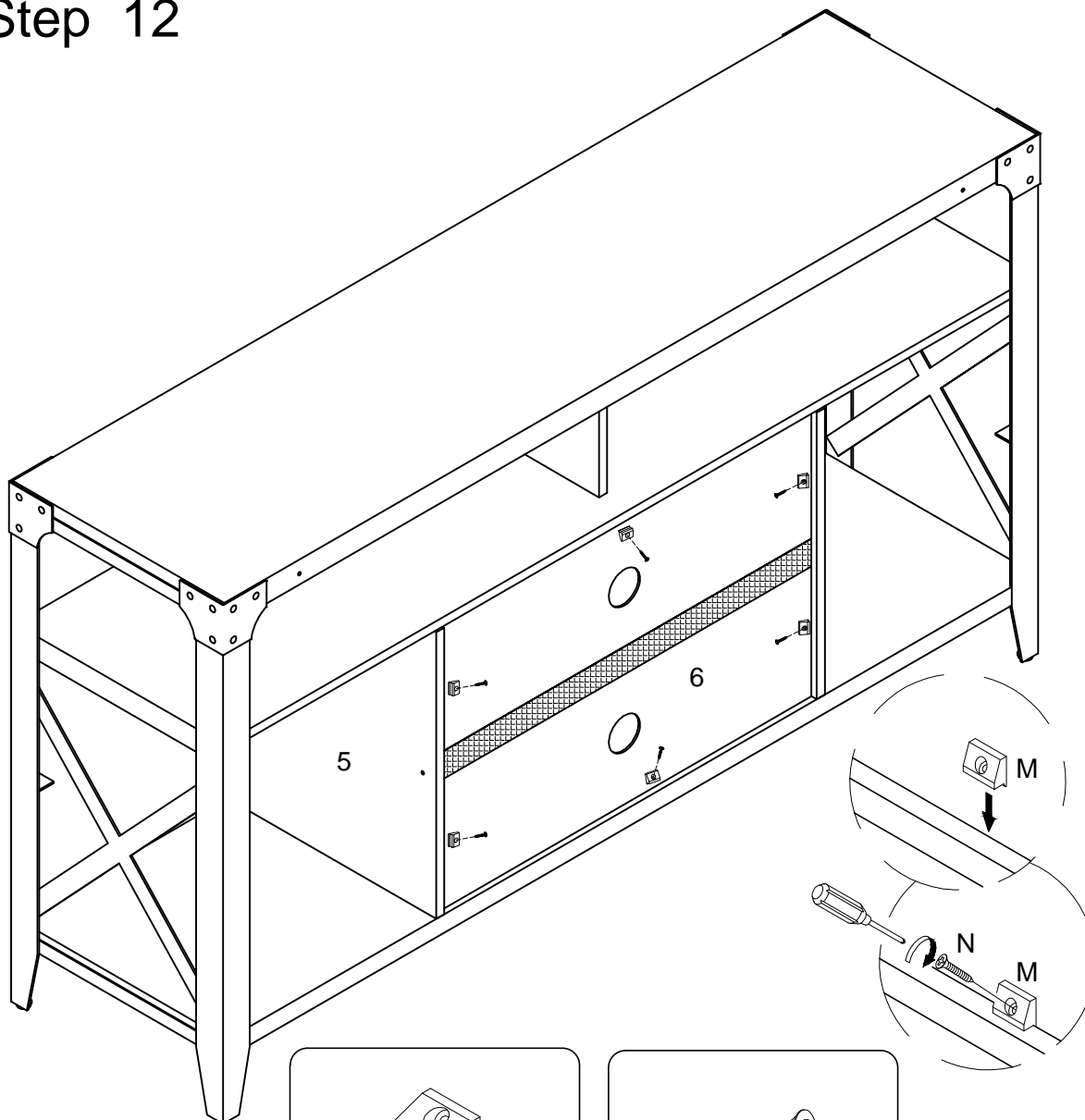
Step 10



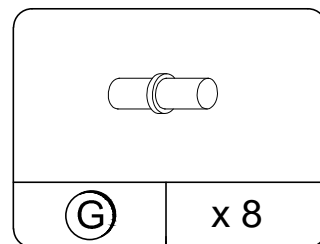
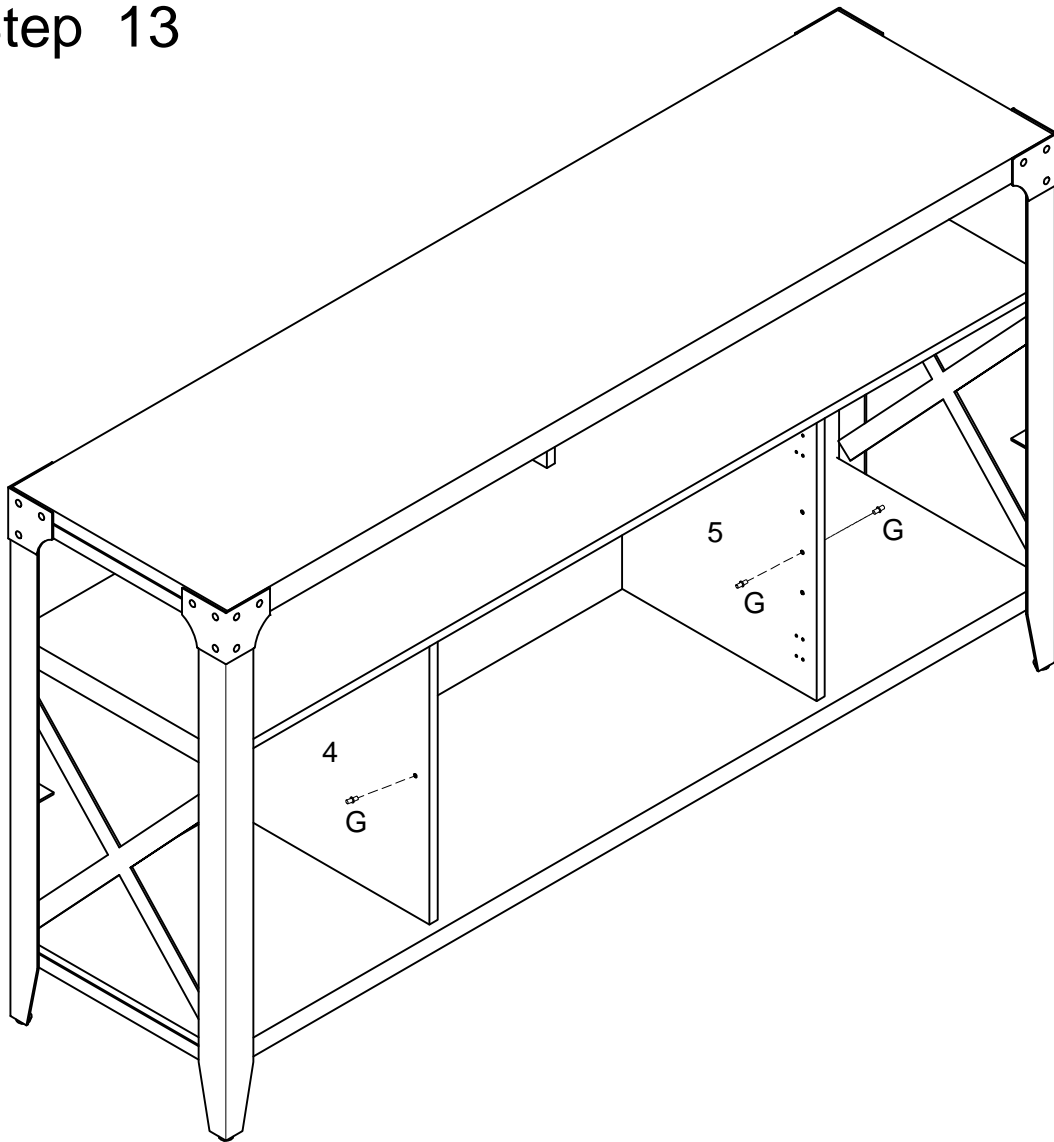
Step 11



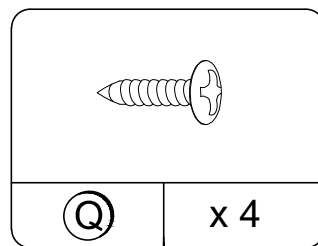
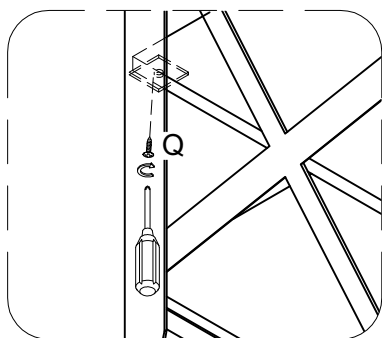
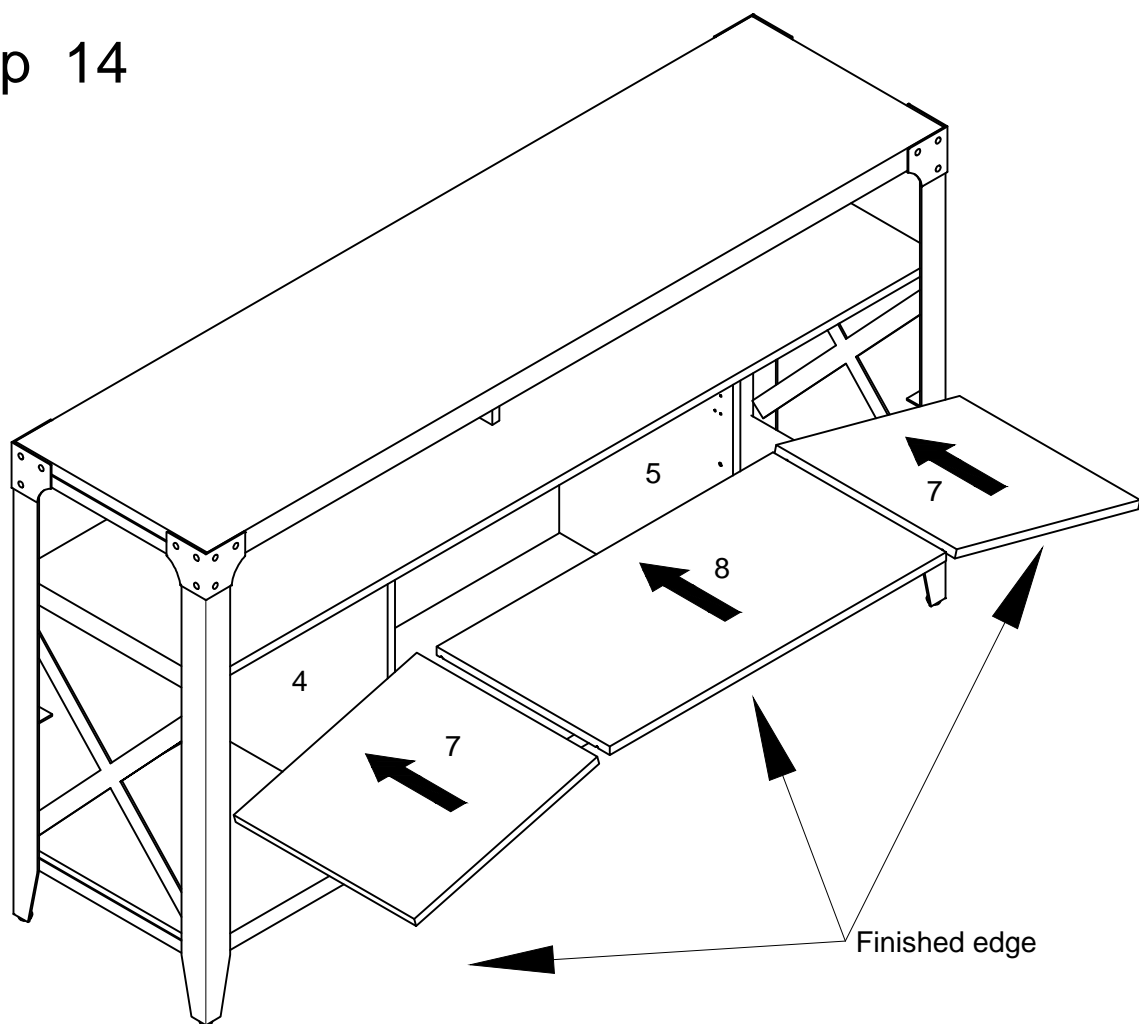
Step 12



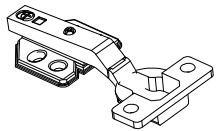
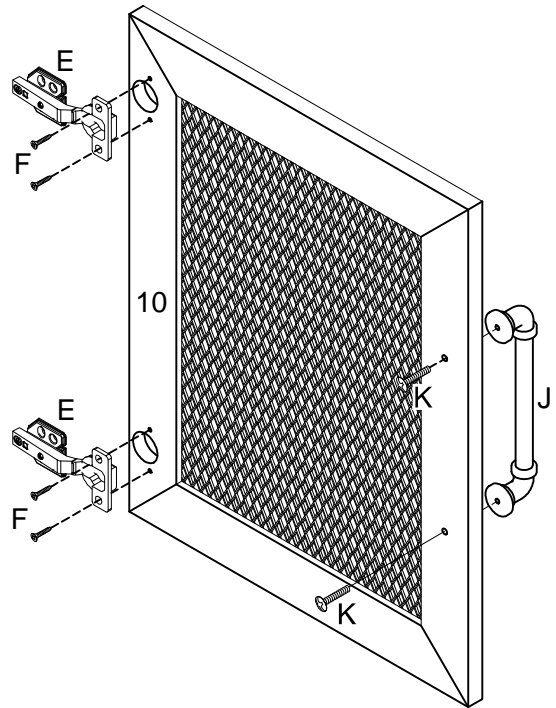
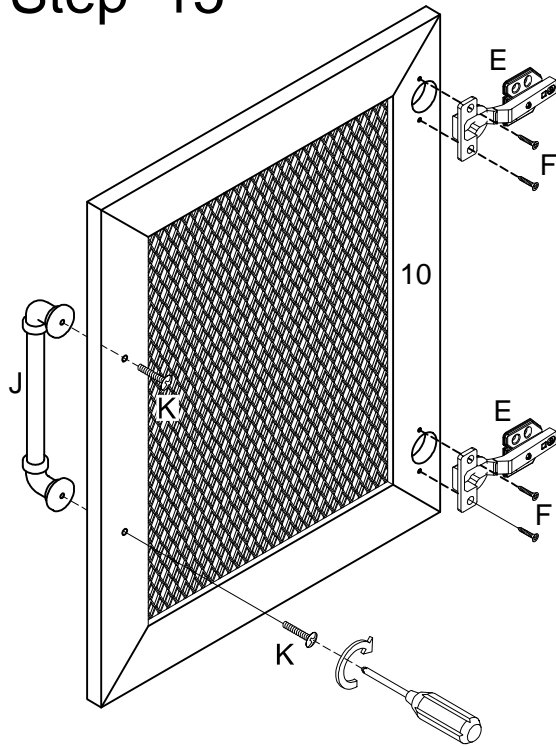
Step 13



Step 14

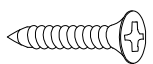


Step 15



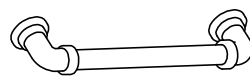
(E)

x 4



(F)

x 8



(J)

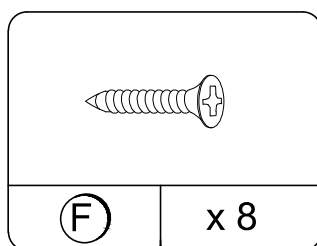
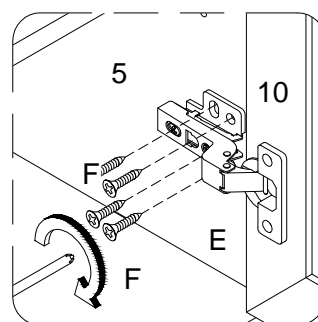
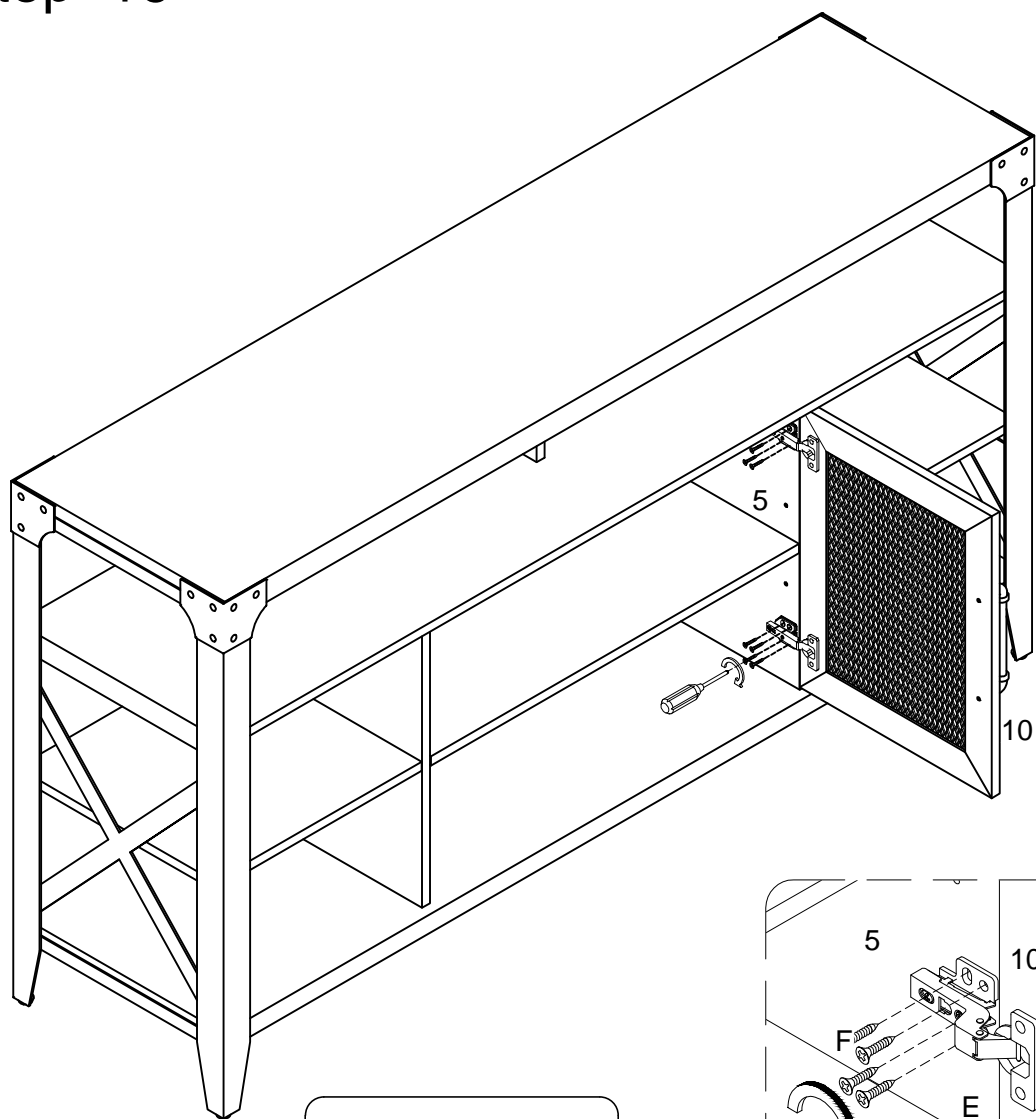
x 2



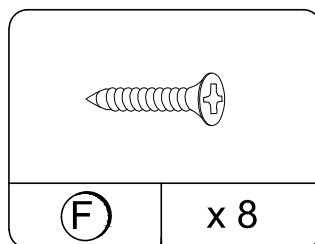
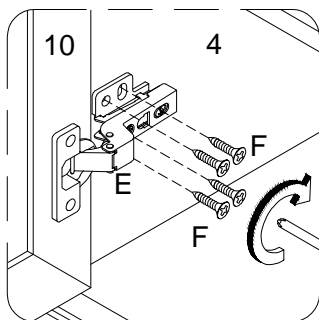
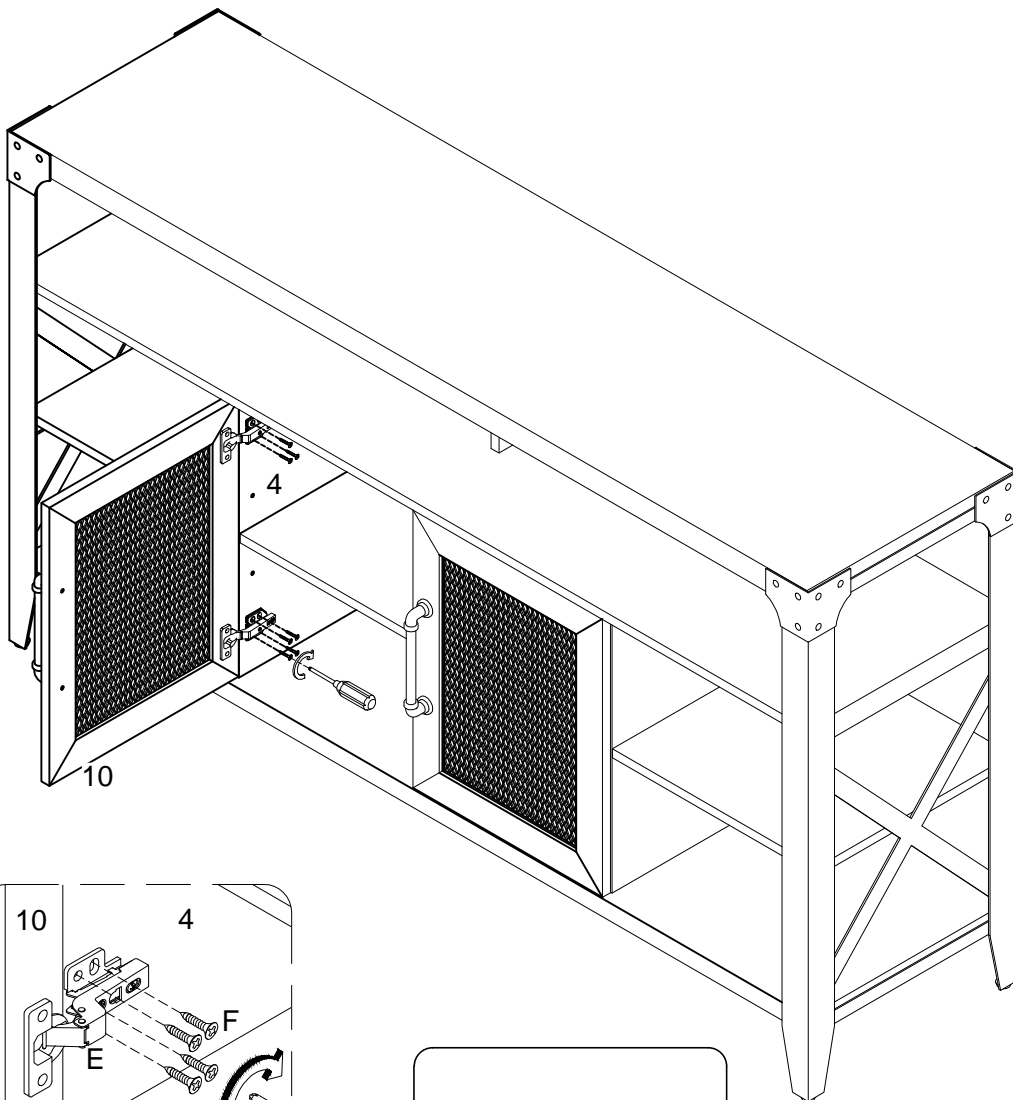
(K)

x 4

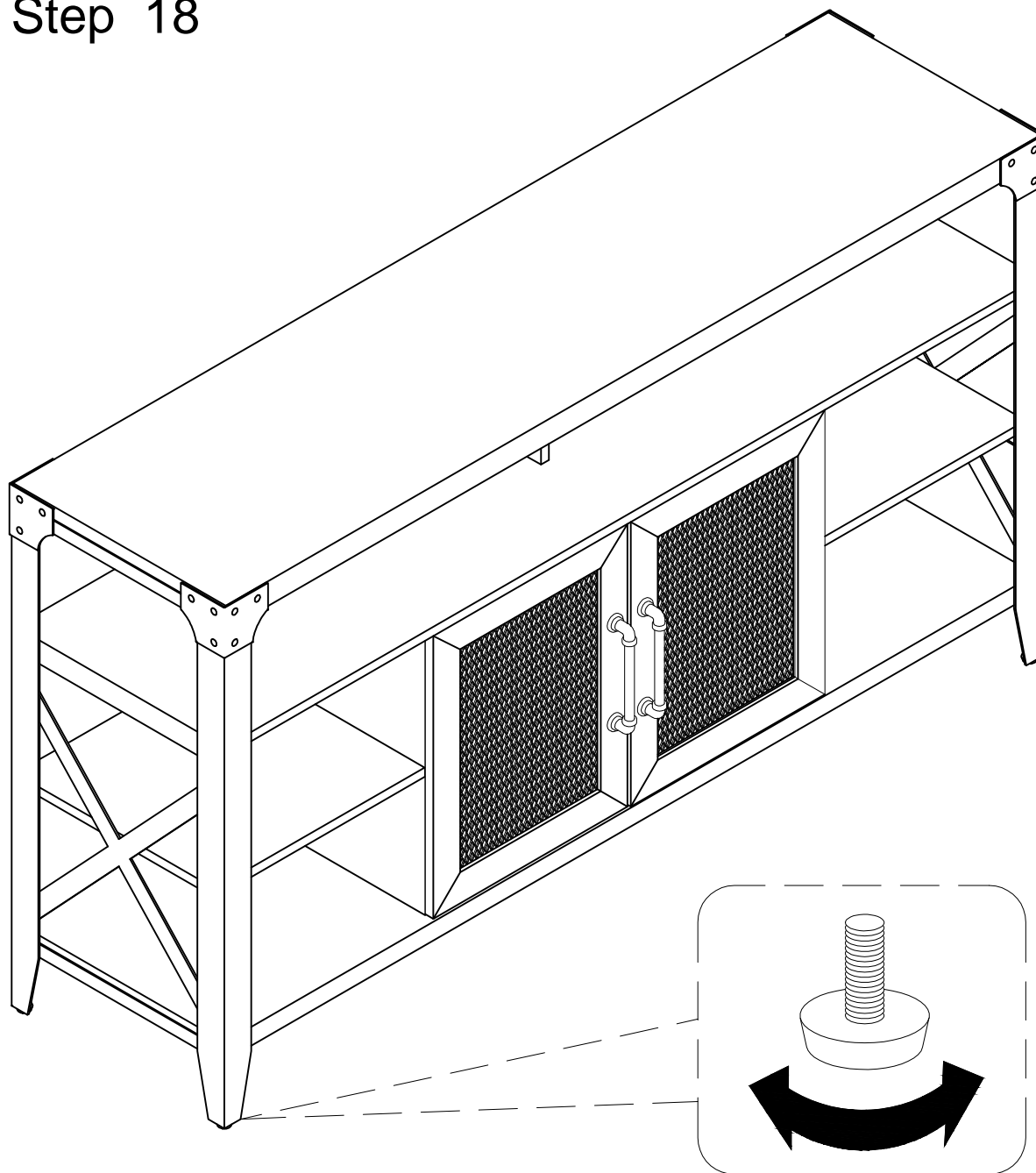
Step 16



Step 17

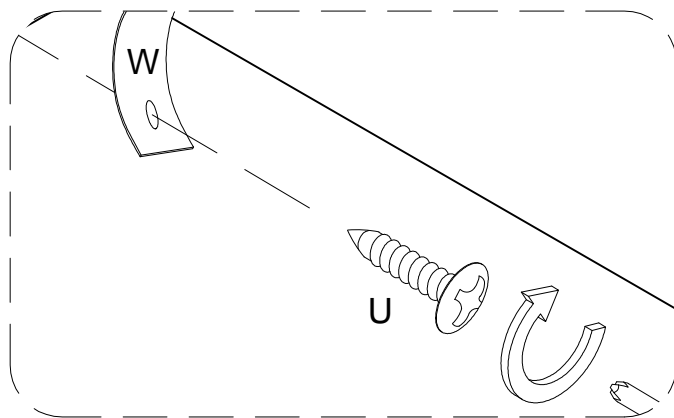
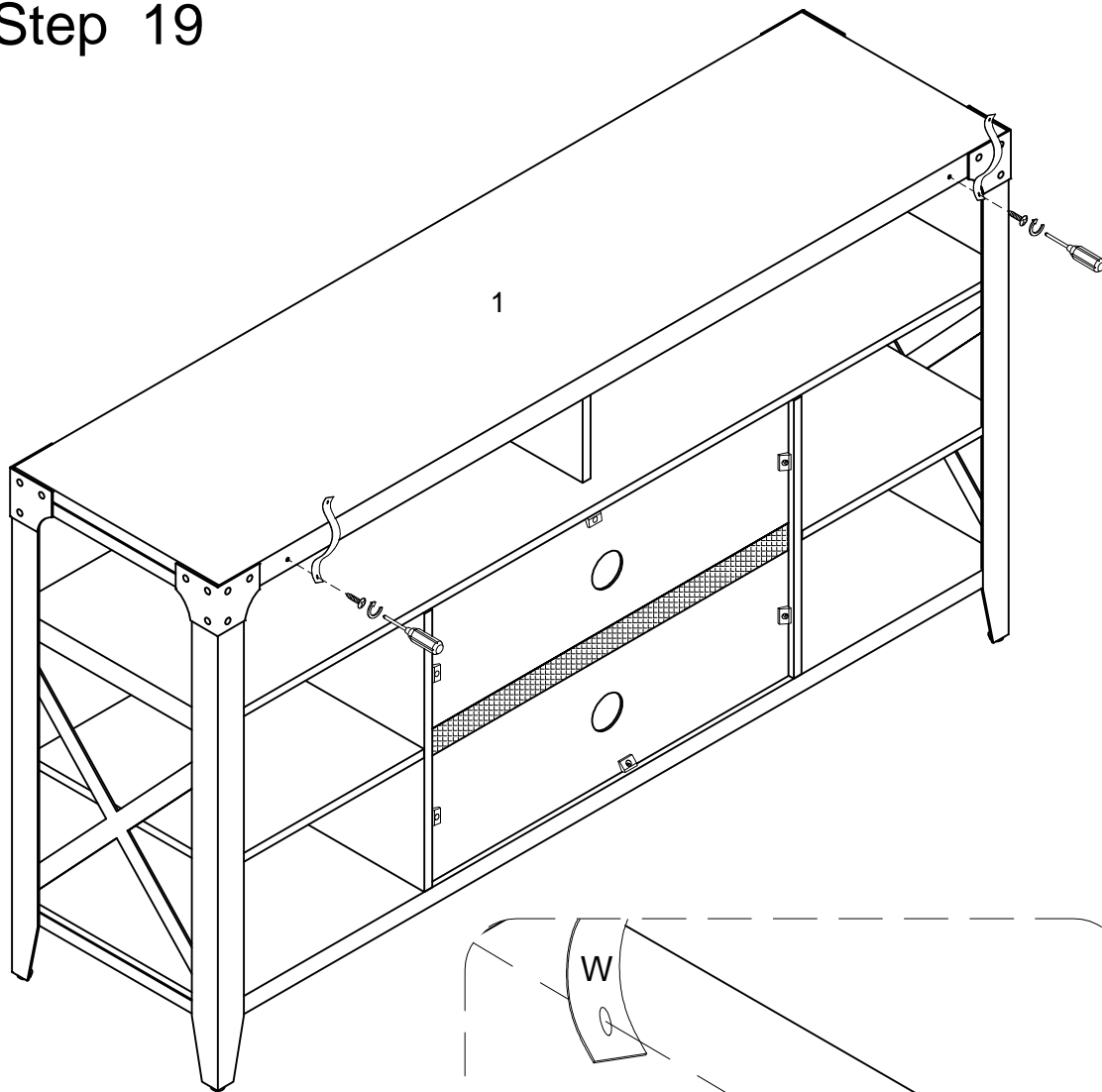


Step 18



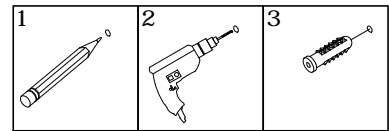
Position the assembled unit at the desired location ,if necessary adjust the floor leveler at the bottom of the support leg to level the unit .

Step 19



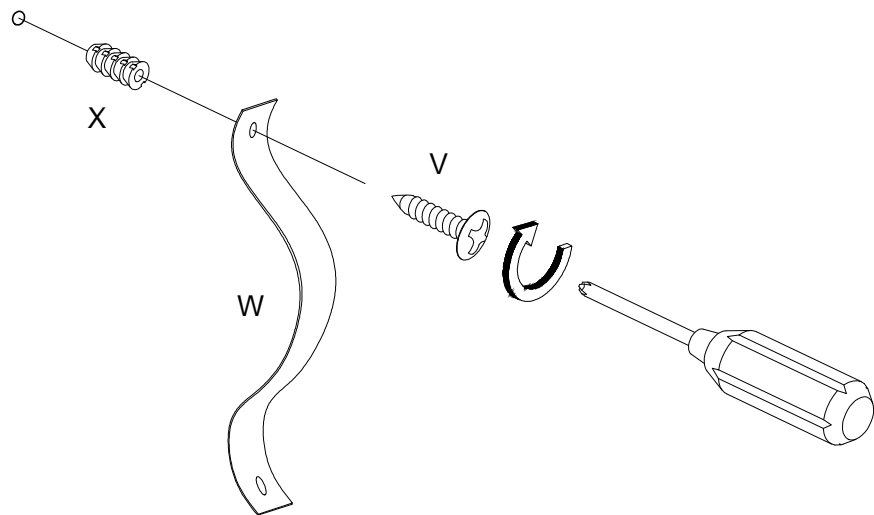
Step 20

WARNING

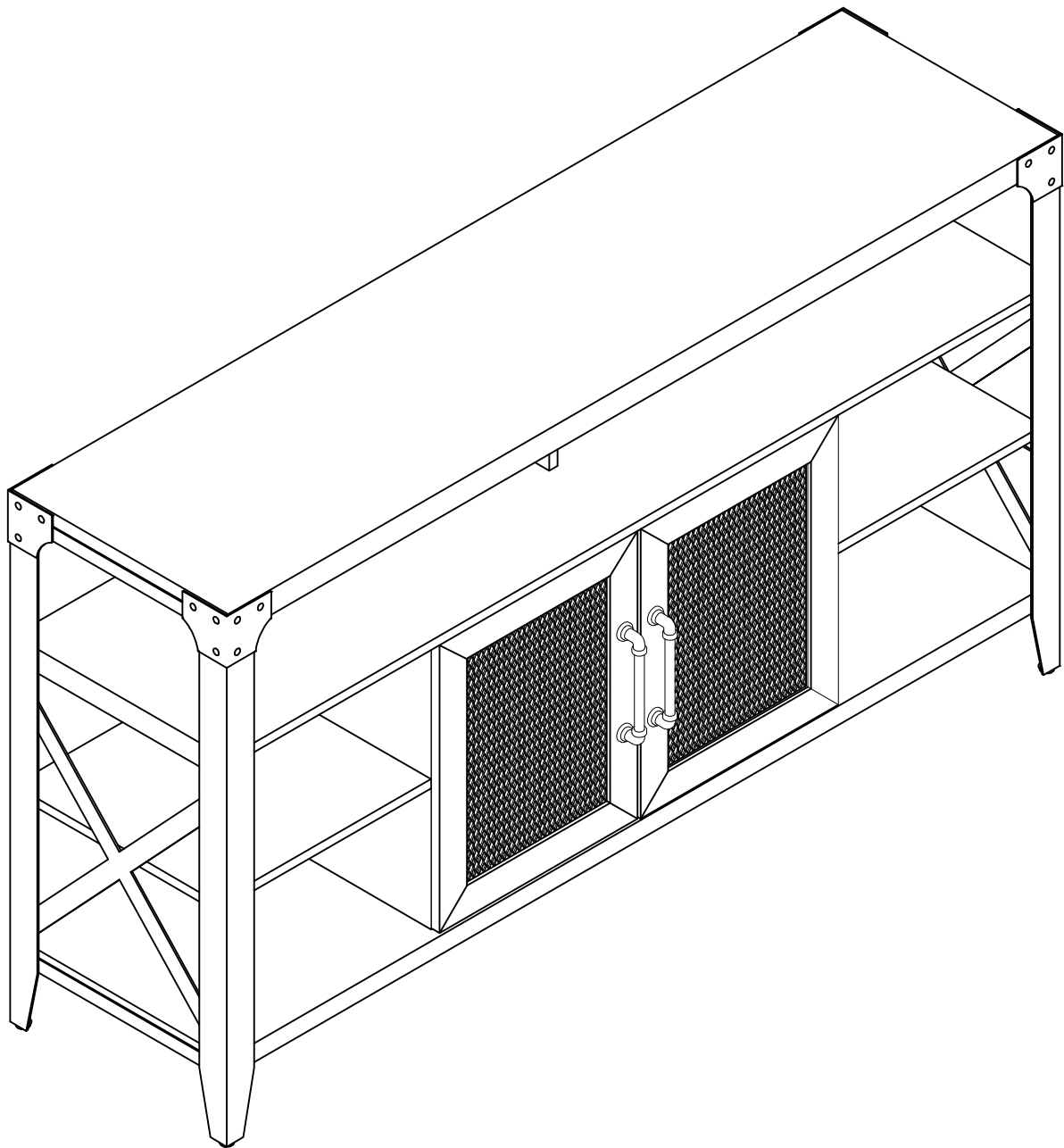


Serious or fatal injuries can occur from furniture tipping over. To prevent the furniture from tipping over we recommend that it is permanently fixed to the wall. Wall anchor and hardware are included with this product. Please make sure hardware is suitable for your walls before installing, as different wall materials may require different types of anchors.

Wall



Step 21



Final Assembly