

Features

- 18-inch minimum base cabinet width.
- 19-gauge stainless steel.
- Top-mount.
- Single bowl.
- 7-inch depth.
- Single faucet hole.
- With SilentShield® sound-absorption technology.
- 15" (381 mm) x 15" (381 mm)

Optional Accessories

K-8801 Sink Strainer

1177161 Installation Clip Kit

Components

Product includes:

1177160 Hardware Kit; Top-mount



ADA

Codes/Standards

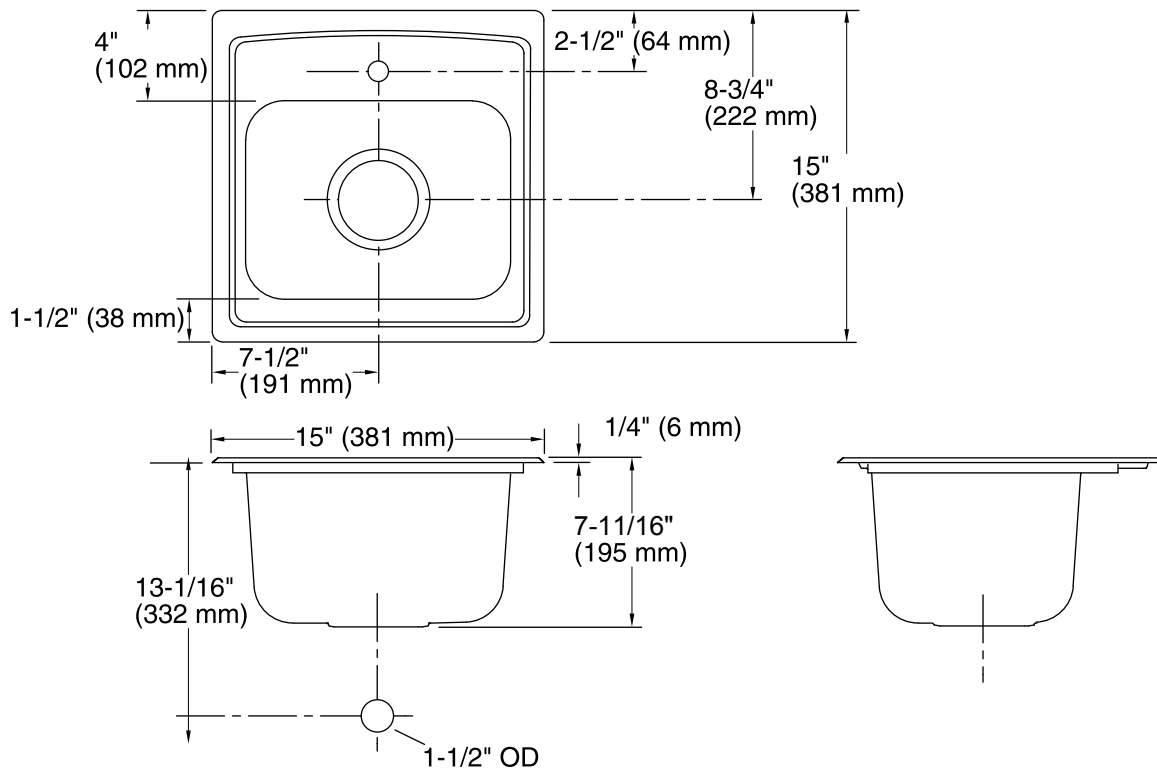
ASME A112.19.3/CSA B45.4

ADA

ICC/ANSI A117.1

Lifetime Limited Warranty for KOHLER® Stainless Steel Sinks

See website for detailed warranty information.



Technical Information

All product dimensions are nominal.

| | |
|-----------------------|---|
| Bowl configuration: | Single |
| Installation: | Top-mount |
| Cutout: | Top-mount, 14-1/2" x 14-1/2" (368 mm x 368 mm) with 1/2" (13 mm) radius corners |
| Bowl area (Only) | Length: 12" (305 mm) Width: 9-1/2" (241 mm) Bowl depth: 7" (178 mm) |
| Number of deck holes: | 1 |
| Faucet hole(s): | 1-7/16" (37 mm) |
| Drain hole: | 3-5/8" (92 mm) |

Notes

Install this product according to the installation guide.

ADA compliant when installed to the specific requirements of these regulations.