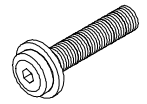
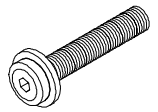
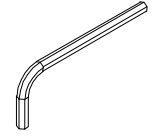
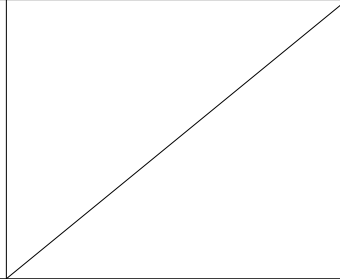
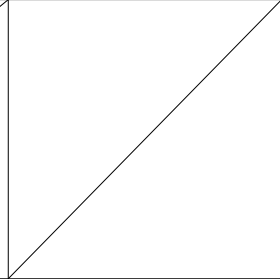
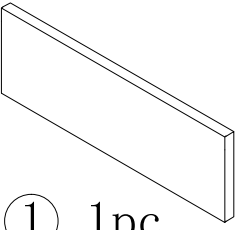


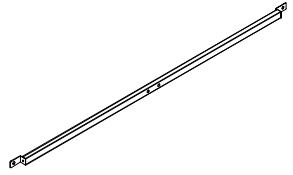
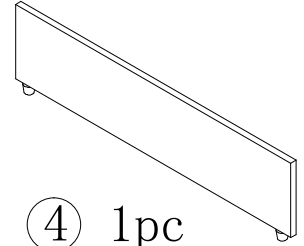
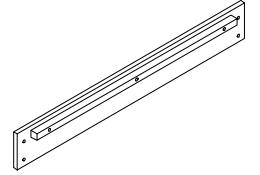
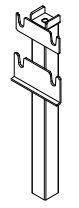
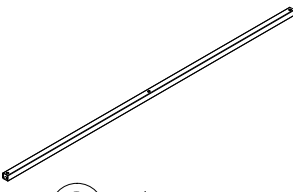
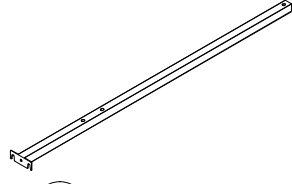
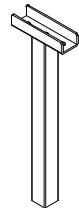
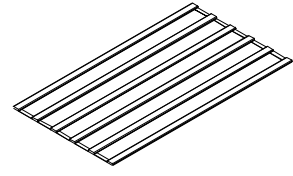
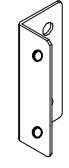
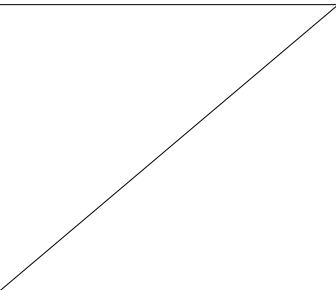
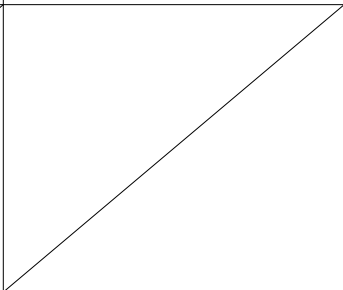
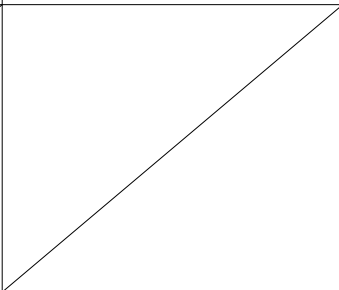
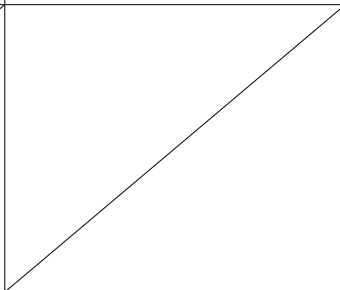
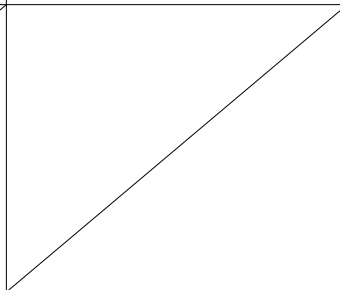


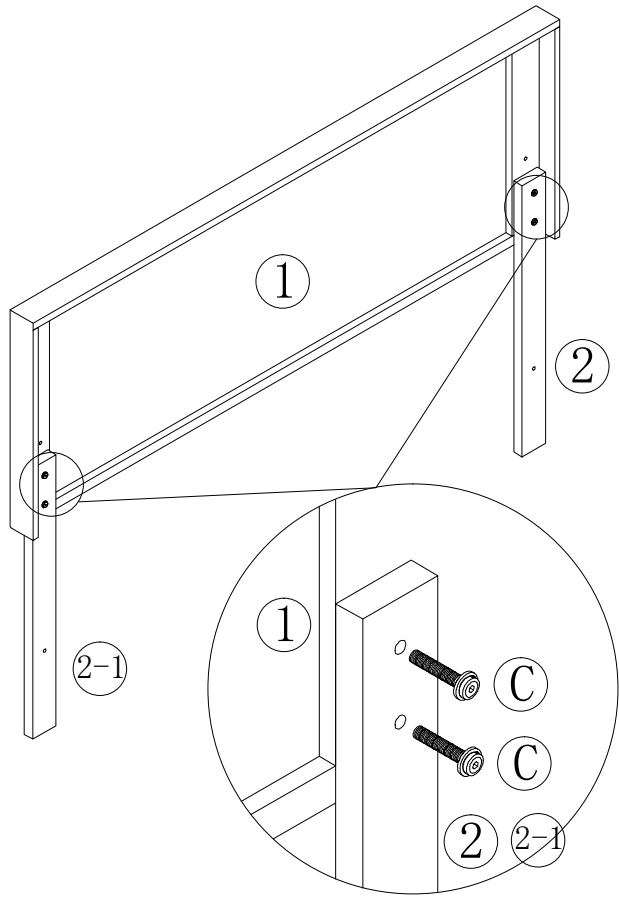


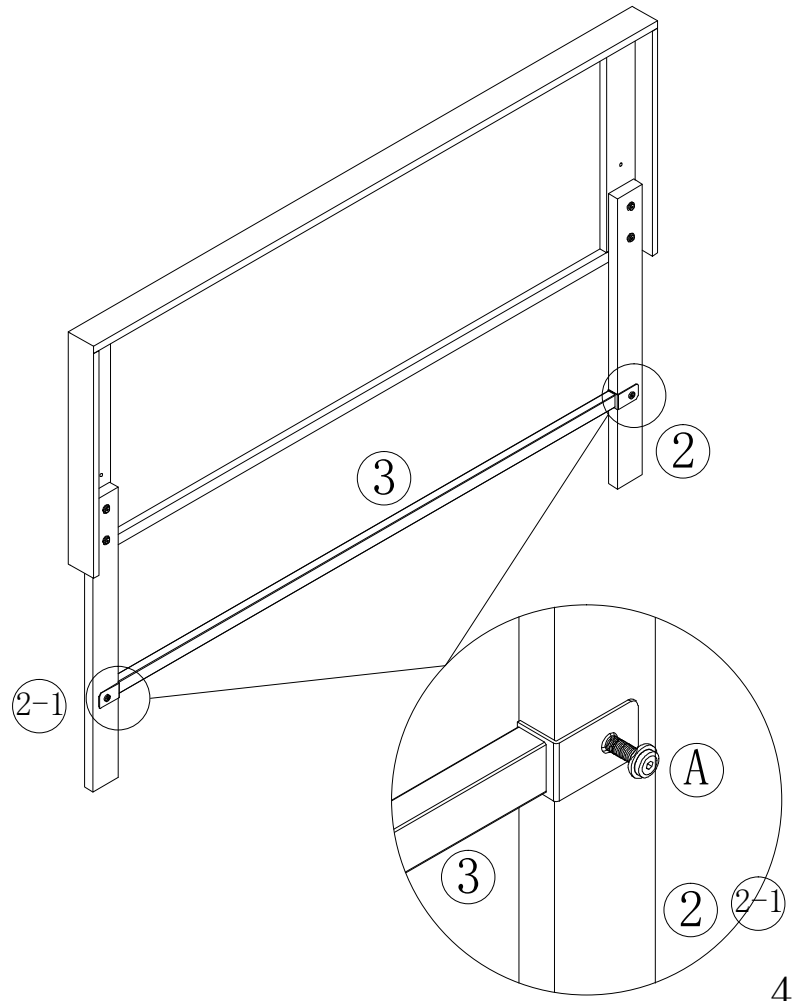


 A M8x15 30pcs	 B M8x35 8pcs	 C M8x45 5pcs	 D 5 # 1pc		
 1 1pc	 2 1pc	 2-1 1pc	 3 1pc	 4 1pc	 5 4pcs
 7 2pcs	 8 1pc	 9 2pcs	 10 3pcs	 11 2pcs	 12 4pcs
					<p>3/8</p>

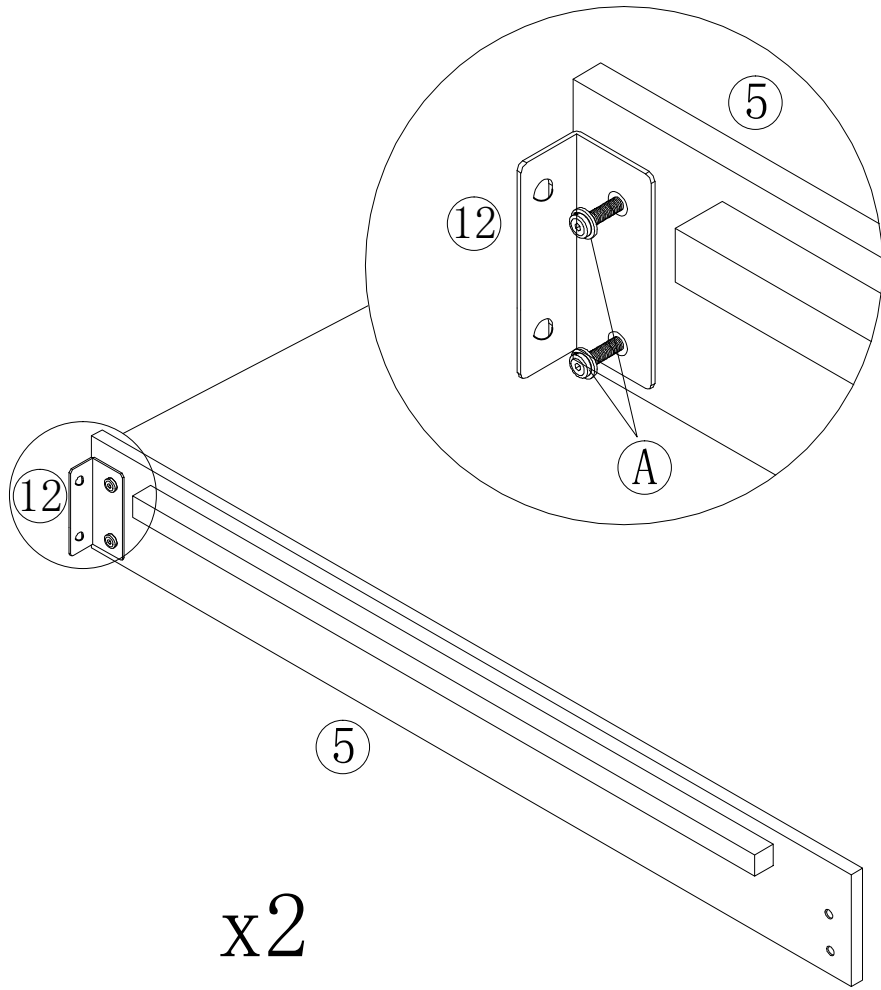
C	 M8x45	4pcs
D	 5 #	1pc


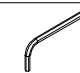


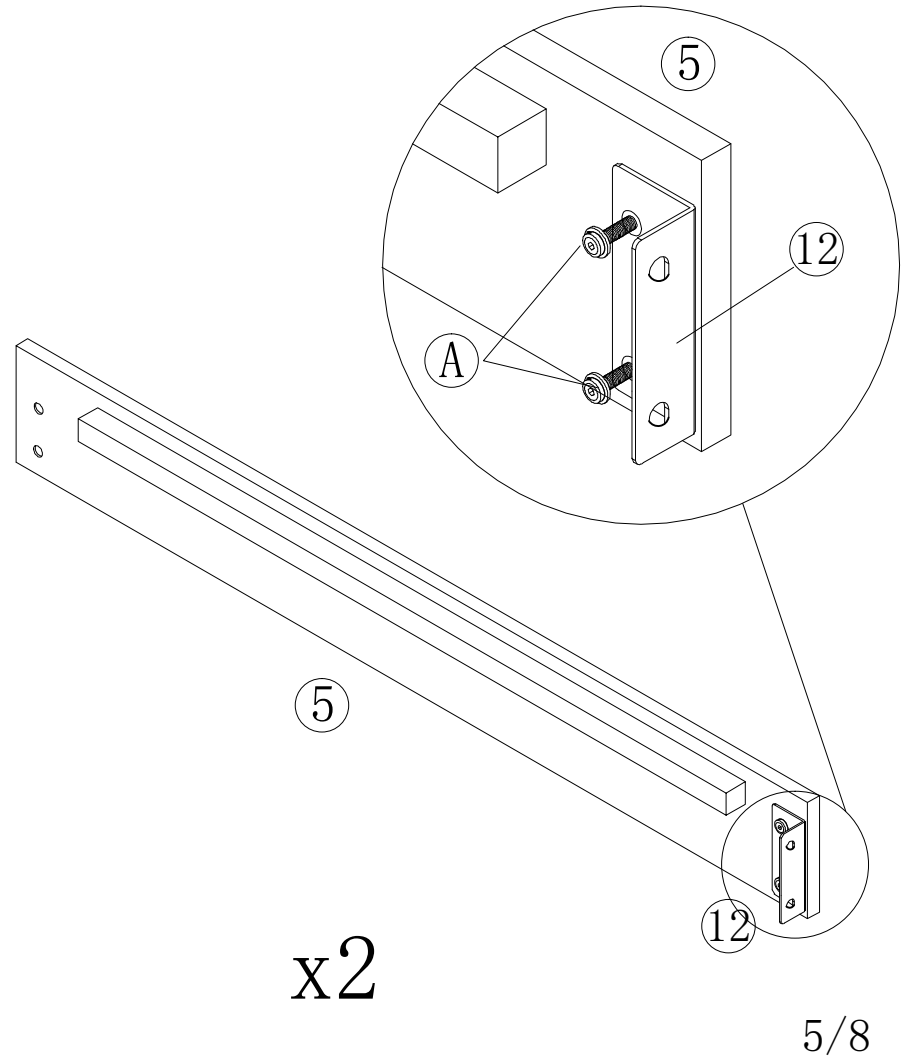
A	 M8x15	2pcs
D	 5 #	1pc





A		M8x15	4pcs
D		5 #	1pc

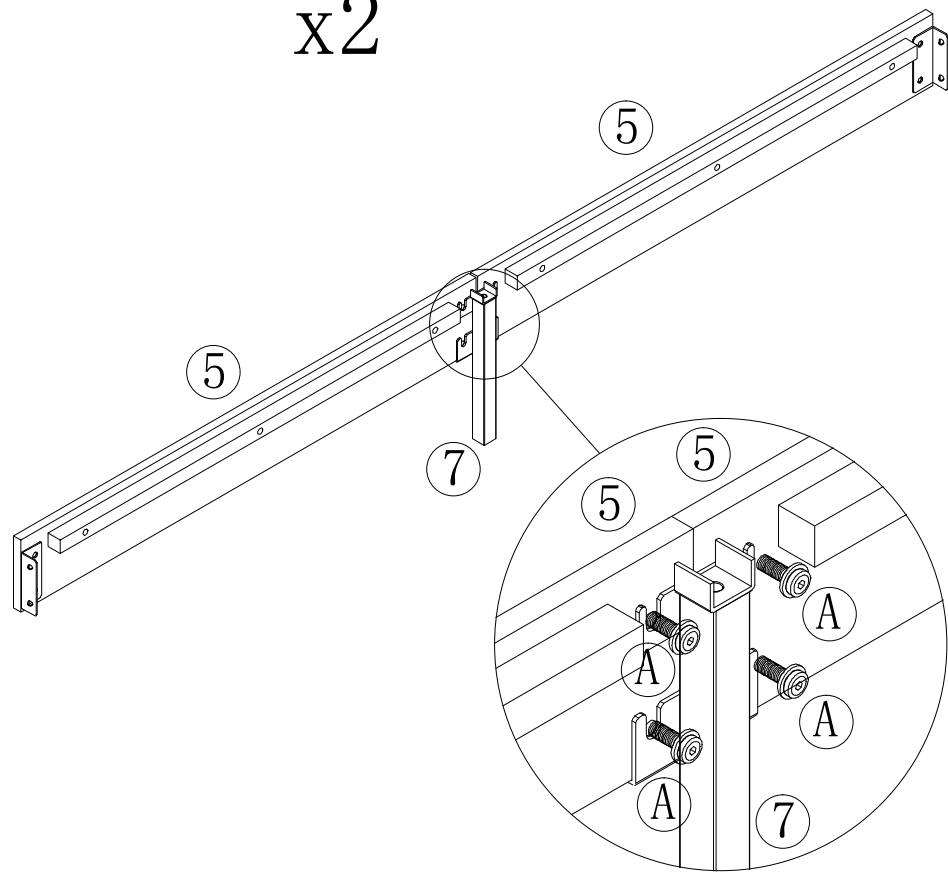




A		M8x15	4pcs
D		5 #	1pc

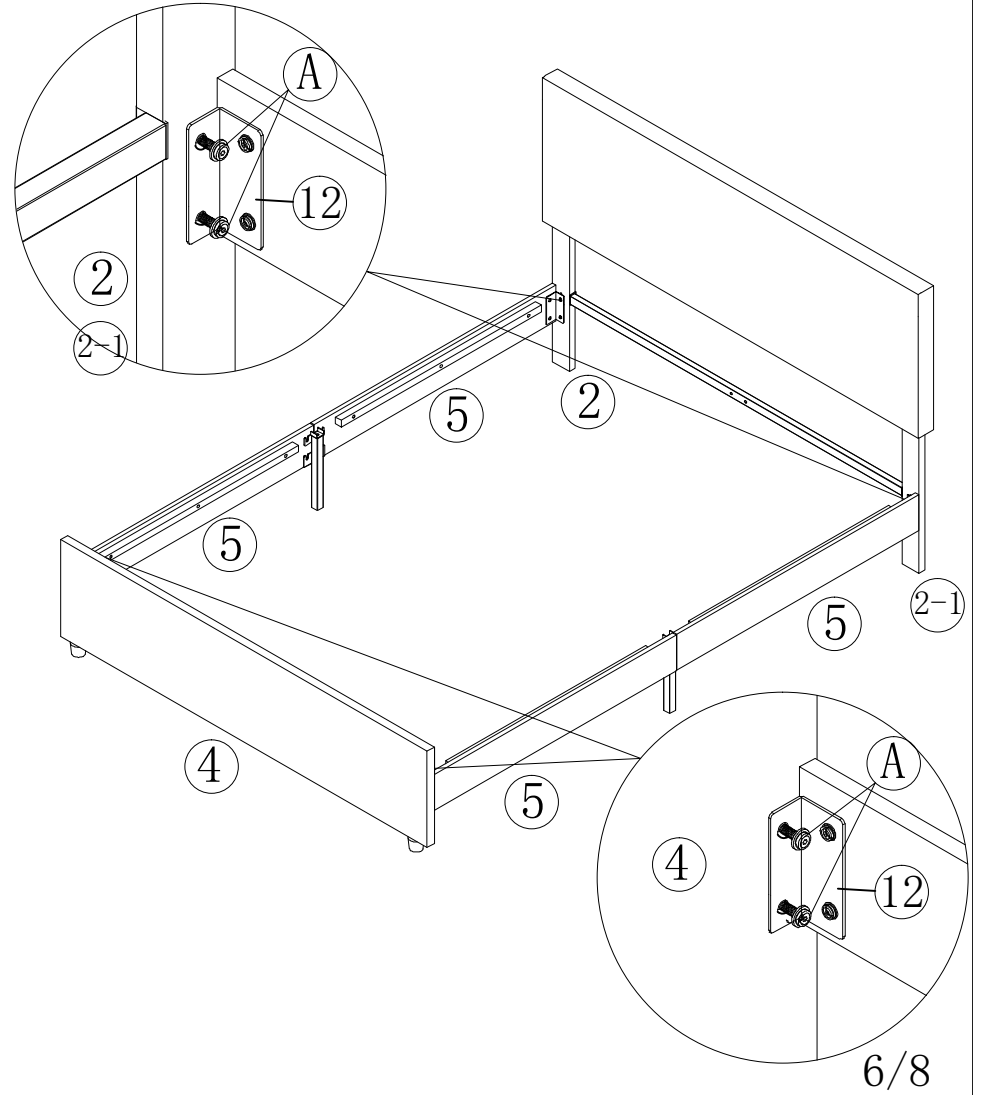





A		M8x15	8pcs
D		5 #	1pc

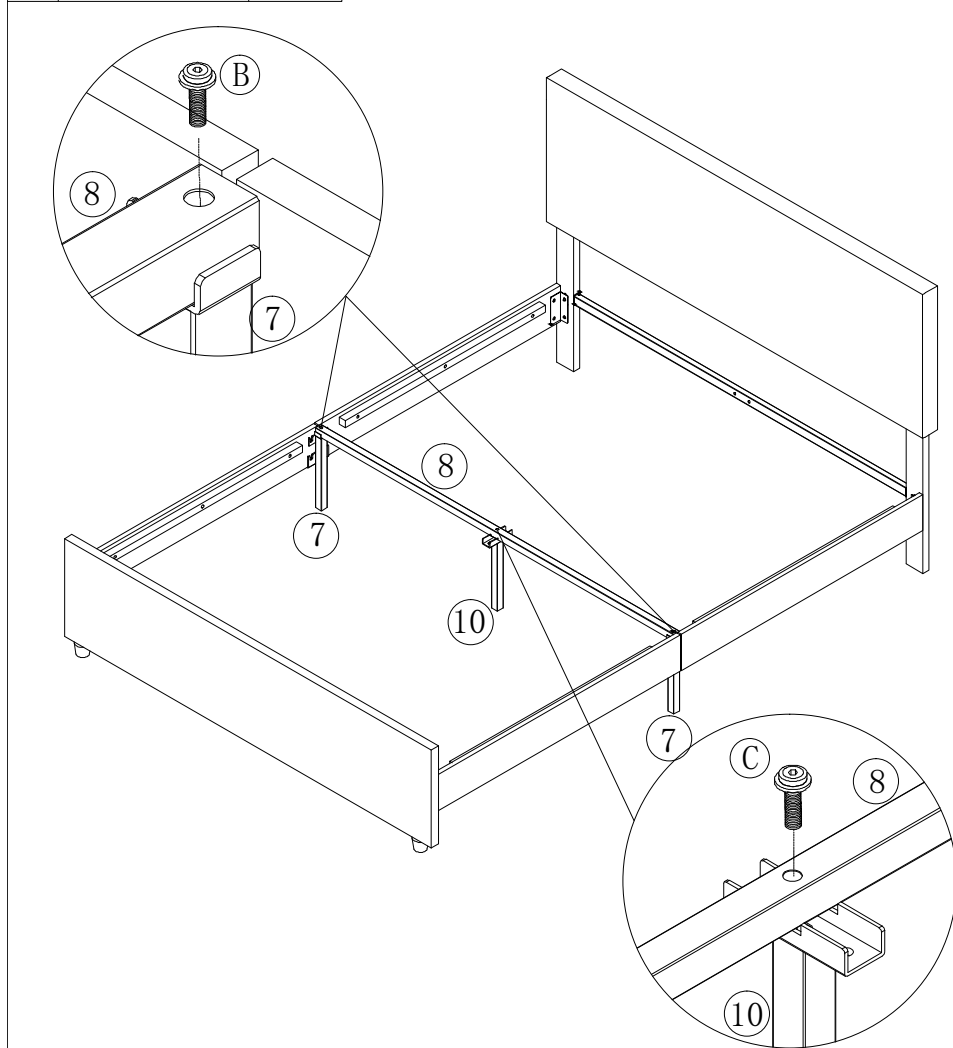
x2






A		M8x15	8pcs
D		5 #	1pc



B	 M8x35	2pcs
C	 M8x45	1pc
D	 5 #	1pc



A	 M8x15	4pcs
B	 M8x35	6pcs
D	 5 #	1pc

