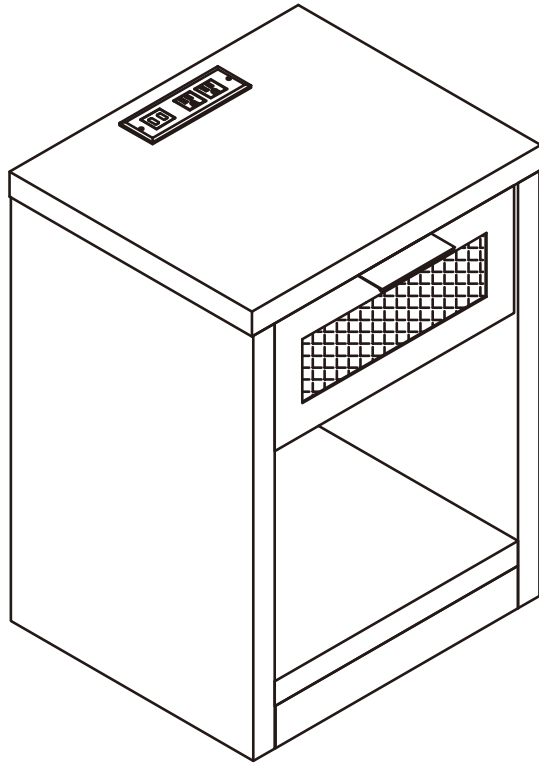


# OAKHAM

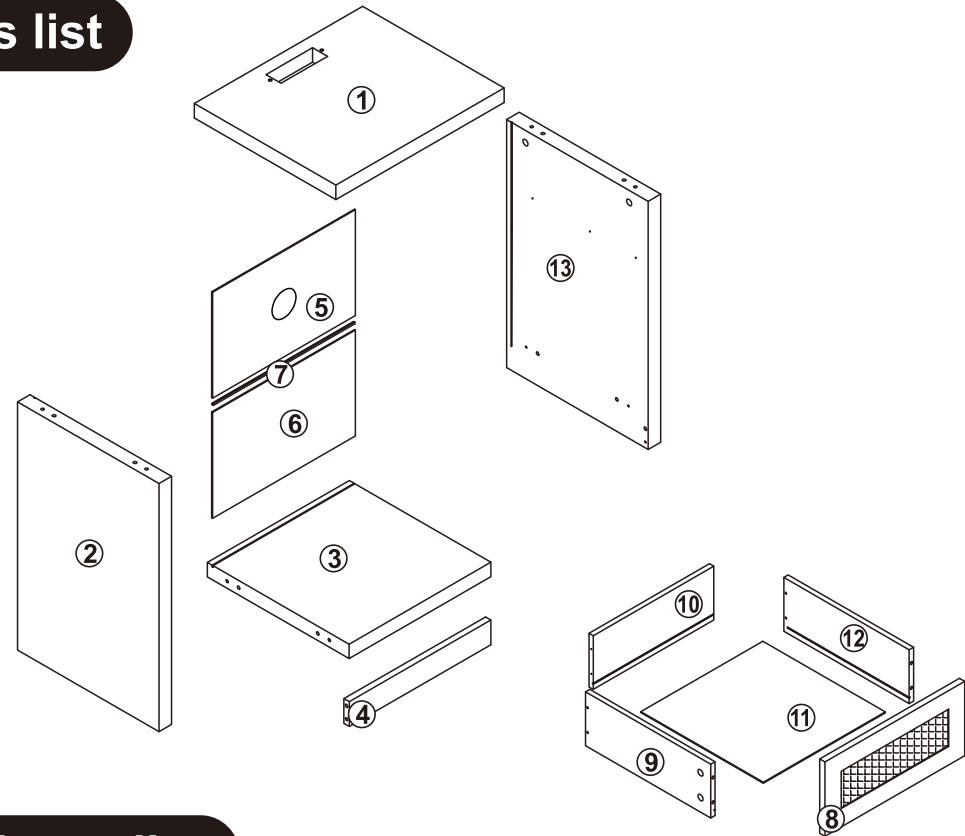


Video instructions can be found at:  
<https://oakhamdesign.com/pages/assembly-videos>

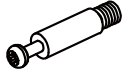














**Your satisfaction is our priority!**

If for any reason there is anything missing, incorrect, or different from your expectation, please contact us first at [care@oakhamdesign.com](mailto:care@oakhamdesign.com)

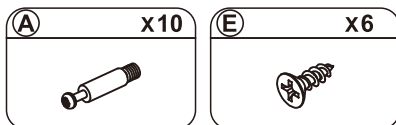
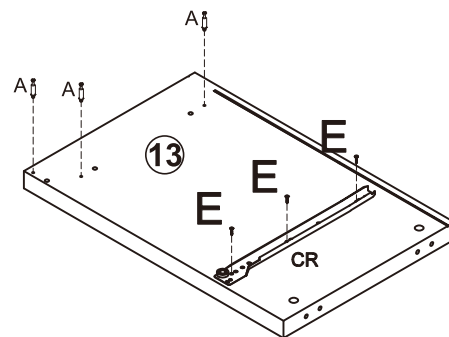
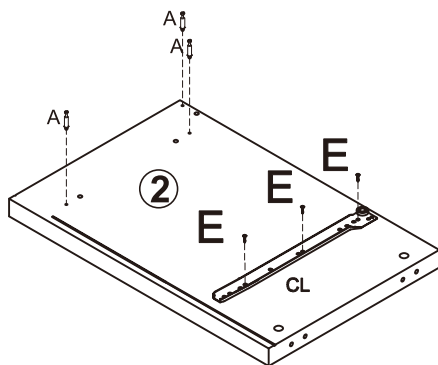
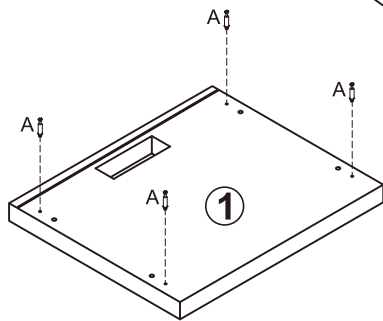
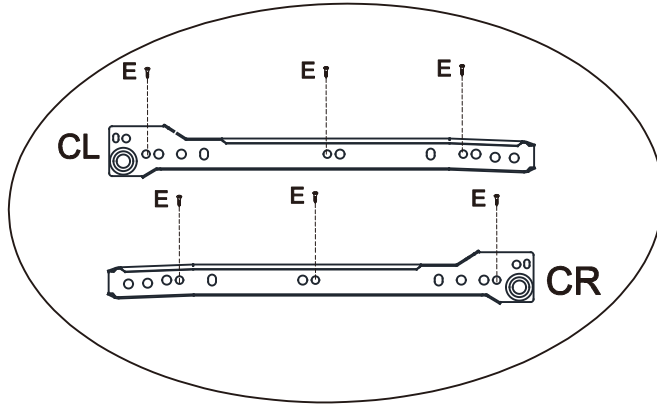
## Parts list



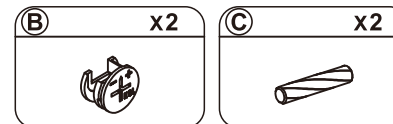
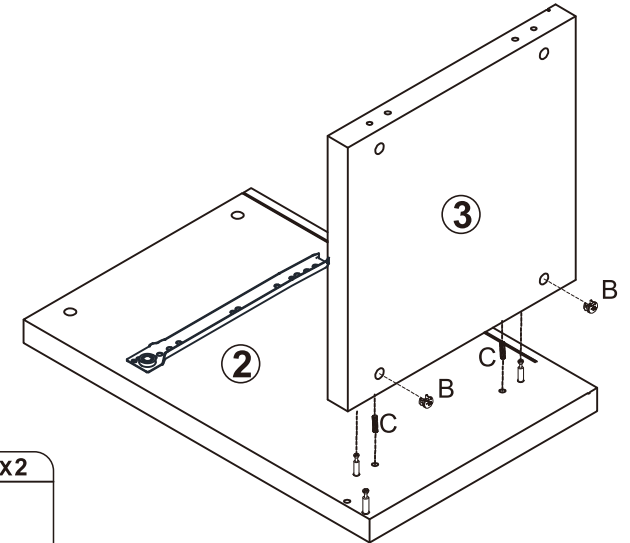
## Hardware list

<b>A</b> x14 	<b>B</b> x14 	<b>C</b> x10 $\phi 6 \times 30 \text{MM}$ 	<b>D</b> x4 M4*35 	<b>E</b> x14 M3*12 
<b>F</b> x1 	<b>G</b> x6 	<b>H</b> x6 M3*16 	<b>I</b> x1 	<b>J</b> x14 
<b>K</b> x2 M3*16 	<b>CL</b> x1 	<b>CR</b> x1 	<b>DL</b> x1 	<b>DR</b> x1 

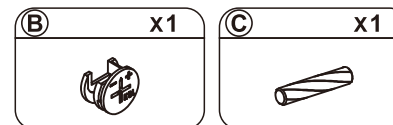
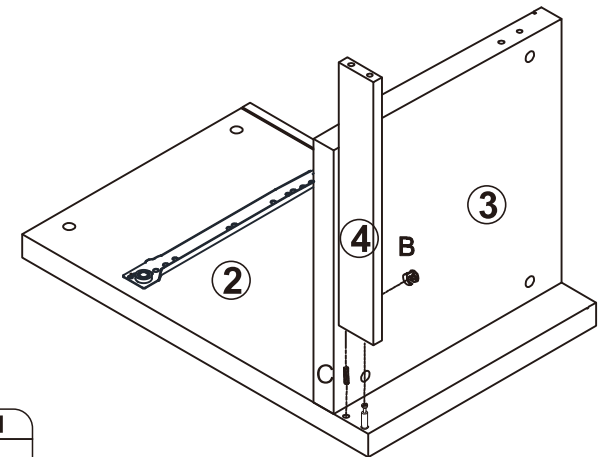
### Step 1



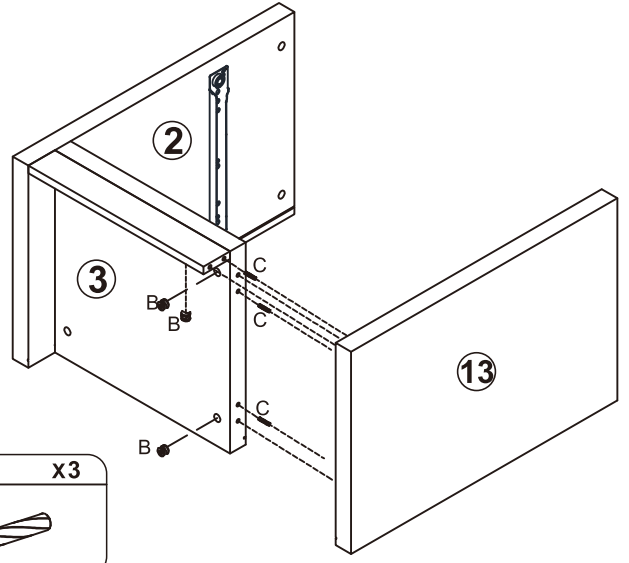
### Step 2



### Step 3

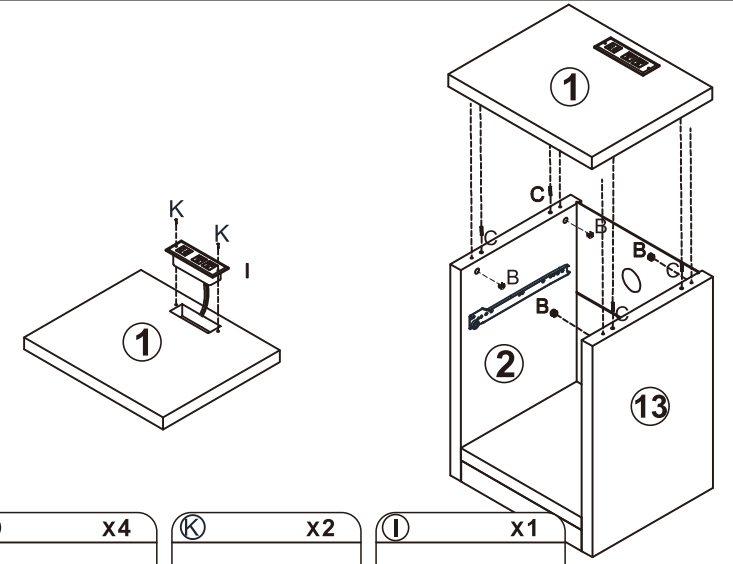


### Step 4



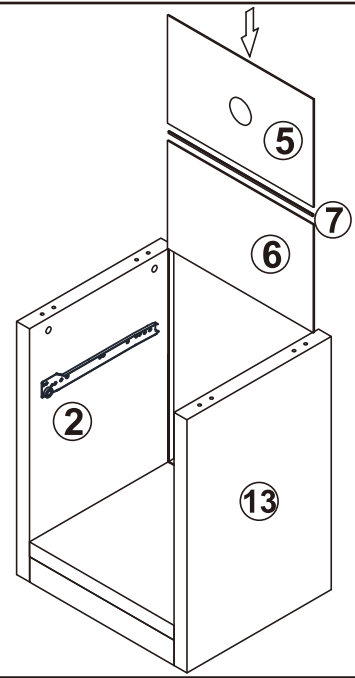
- (B) x3
- (C) x3

### Step 6

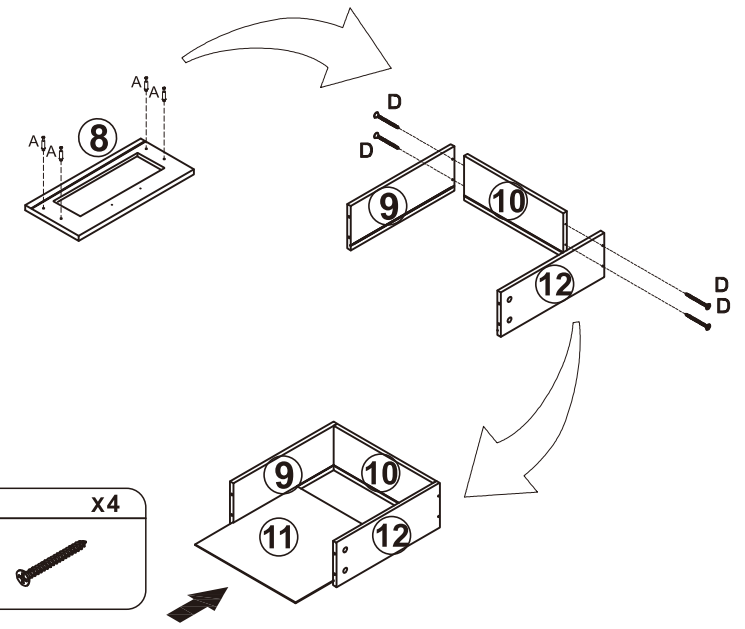


- (B) x4
- (C) x4
- (K) x2
- (I) x1

### Step 5

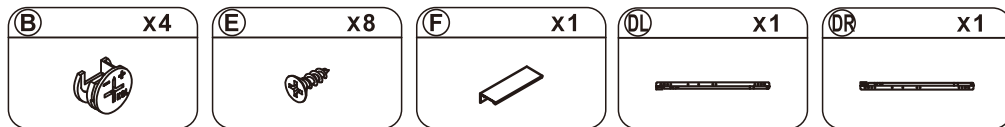
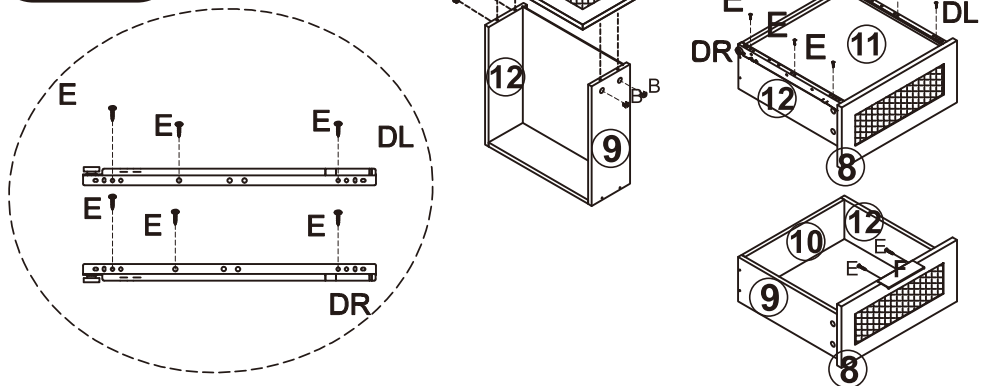


### Step 7

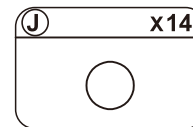
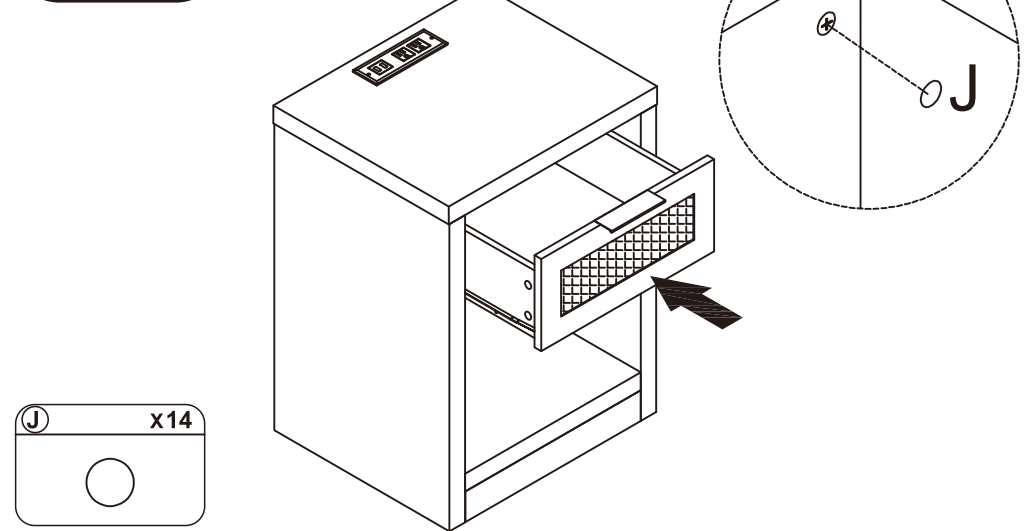


- (A) x4
- (D) x4

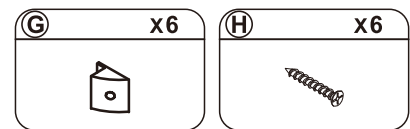
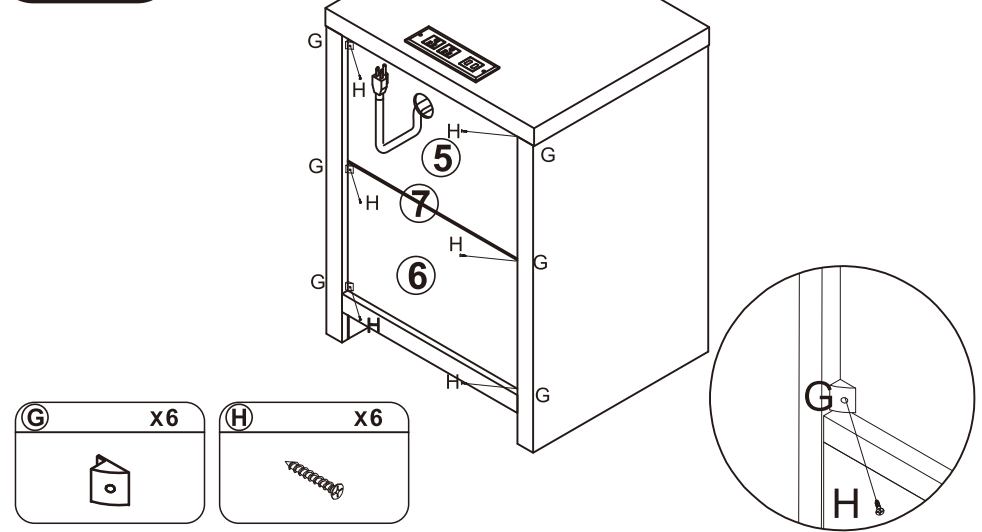
### Step 8



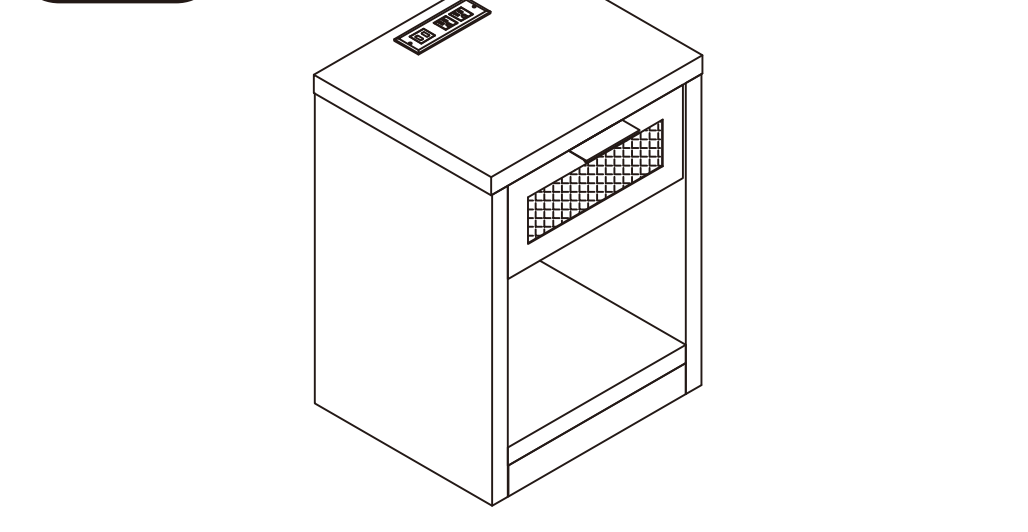
### Step 10



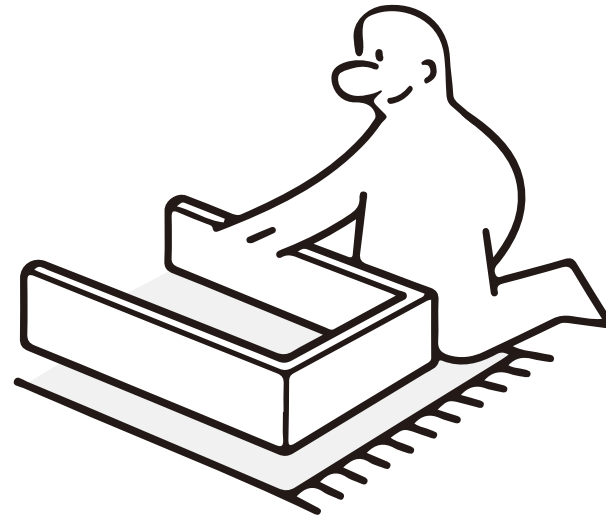
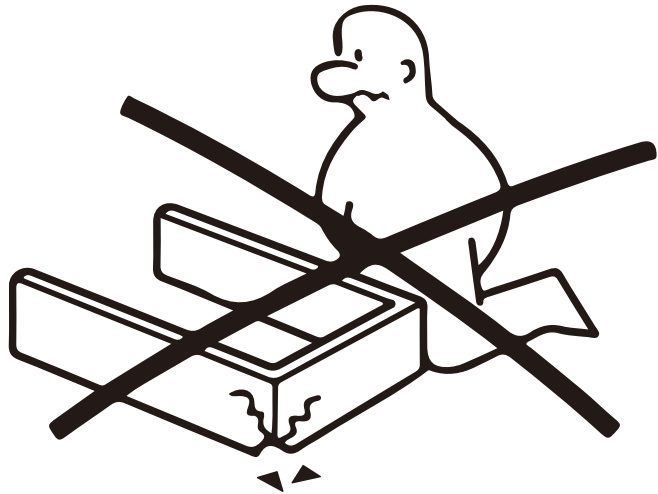
### Step 9



### Step 11



※ **Stay Scratch-Free: Safeguard Your Furniture by Assembling on Carpet.**



※ **Stuck in Assembly Limbo? Check out our website or contact our support team for quick solutions!**

