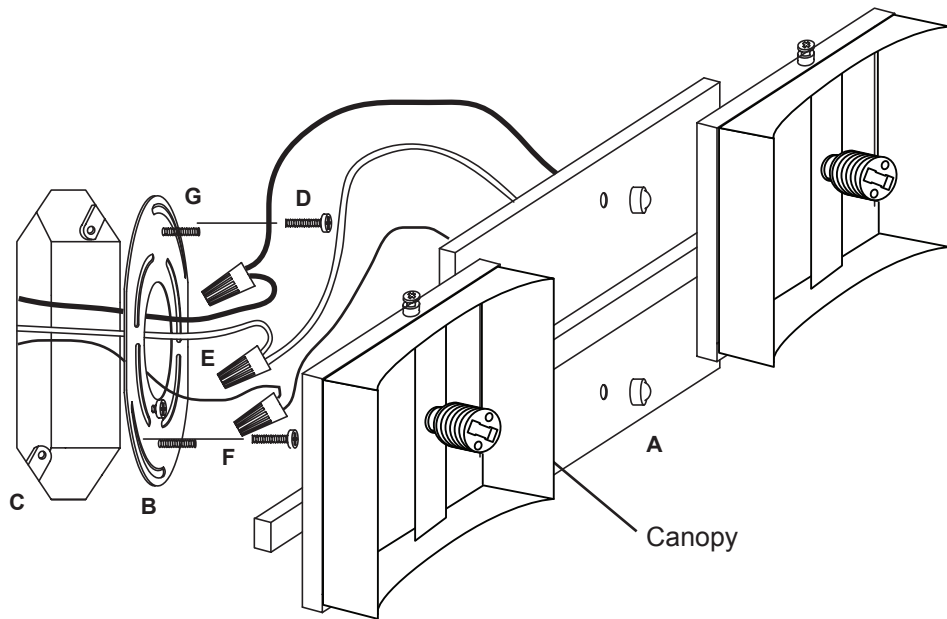


# FIXTURE INSTALLATION GUIDE

(Two Light Vanity 120V)

Use With  
these Models:

Caution: Turn off power to electrical box before installing



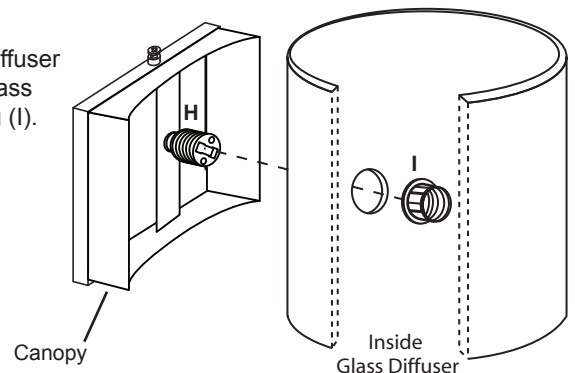
1. Carefully remove parts from package.
2. Remove the two Cap Nuts (A) to release the Canopy from the Mounting Bracket (B).
3. If desired, the Canopy can be offset by 7/8" in each direction. Loosen the two hex nuts on the back of the canopy, reposition the canopy to the desired location, then retighten the hex nuts.
4. Attach the Mounting Bracket to the Outlet Box (C) with two Machine Screws (D) provided.
5. Connect the electrical leads from the fixture to the house supply wires, black to black and white to white, and secure with wirenuts provided (E). Connect the House Ground Wire to the Bare Copper Lead from the fixture, and secure with wirenut provided (F).
6. Align the circular openings on the Canopy with the Threaded Posts (G) on the Mounting Bracket. Push the Canopy over the Threaded Posts until the Canopy is flush with the wall, then secure with the Cap Nuts.
7. With the power still off, insert bulb of not more than the labeled wattage. Install glass diffuser.

## GLASS INSTALLATION:

Install Glass Diffuser by aligning hole of Glass Diffuser with the socket of the Fixture (H). Then install Glass Diffuser onto Fixture by threading on Check Ring (I).

**NOTE:** Glass Diffuser shown is for example purposes, the actual Glass Diffuser may be different in appearance.

8. Restore power.



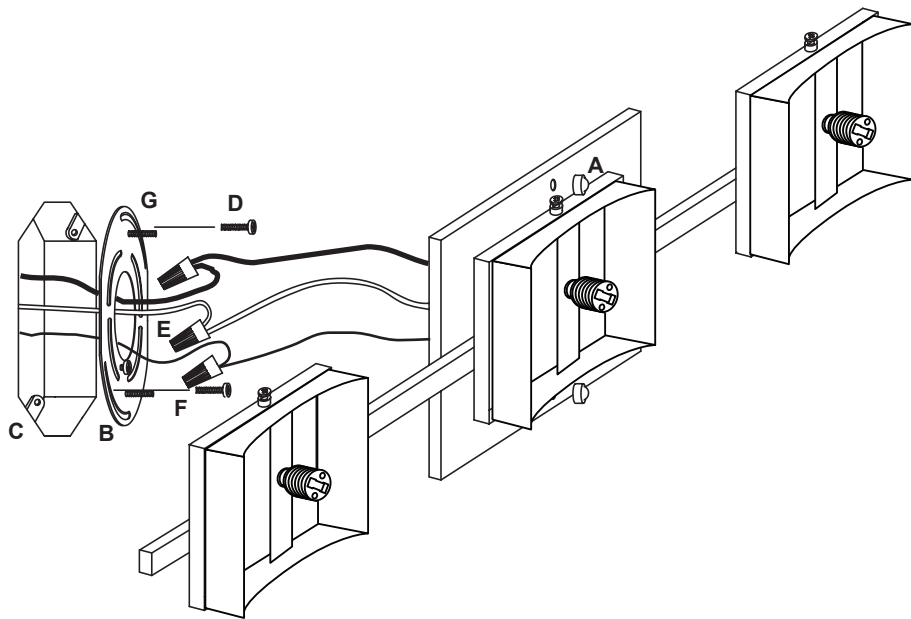
All electrical connections and the installation of this fixture must be in agreement with local codes, ordinances or the NEC (National Electric Code) or CEC (Canadian Electrical Code). Do not connect this fixture to an electrical system that does not provide a means for equipment grounding.

# FIXTURE INSTALLATION GUIDE

(Three Light Vanity 120V)

Use With  
these Models:

**Caution: Turn off power to electrical box before installing**



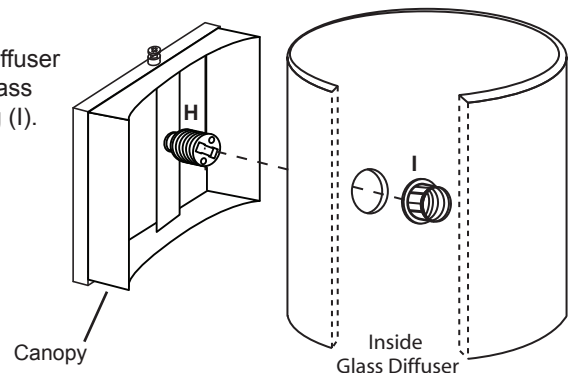
1. Carefully remove parts from package.
2. Remove the two Cap Nuts (A) to release the Canopy from the Mounting Bracket (B).
3. If desired, the Canopy can be offset by  $7/8$ " in each direction. Loosen the two hex nuts on the back of the canopy, reposition the canopy to the desired location, then retighten the hex nuts.
4. Attach the Mounting Bracket to the Outlet Box (C) with two Machine Screws (D) provided.
5. Connect the electrical leads from the fixture to the house supply wires, black to black and white to white, and secure with wirenuts provided (E). Connect the House Ground Wire to the Bare Copper Lead from the fixture, and secure with wirenut provided (F).
6. Align the circular openings on the Backplate with the Threaded Posts (G) on the Mounting Plate. Push the Canopy over the Threaded Posts until the Canopy is flush with the wall, then secure with the Cap Nuts.
7. With the power still off, insert bulb of not more than the labeled wattage. Install glass diffusers.

## GLASS INSTALLATION:

Install Glass Diffuser by aligning hole of Glass Diffuser with the socket of the Fixture (H). Then install Glass Diffuser onto Fixture by threading on Check Ring (I).

**NOTE:** Glass Diffuser shown is for example purposes, the actual Glass Diffuser may be different in appearance.

8. Restore power.



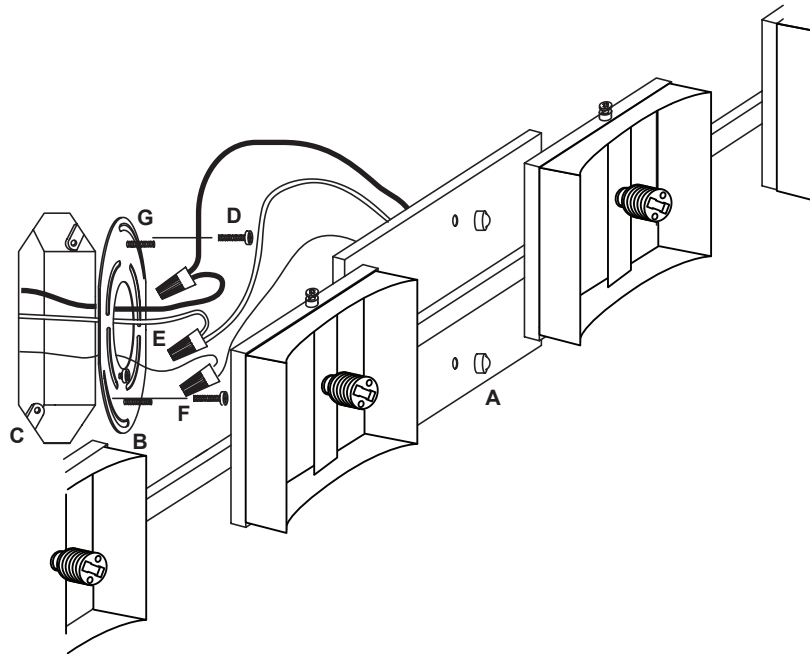
All electrical connections and the installation of this fixture must be in agreement with local codes, ordinances or the NEC (National Electric Code) or CEC (Canadian Electrical Code). Do not connect this fixture to an electrical system that does not provide a means for equipment grounding.

# FIXTURE INSTALLATION GUIDE

(Four Light Vanity 120V)

Use With  
these Models:

Caution: Turn off power to electrical box before installing



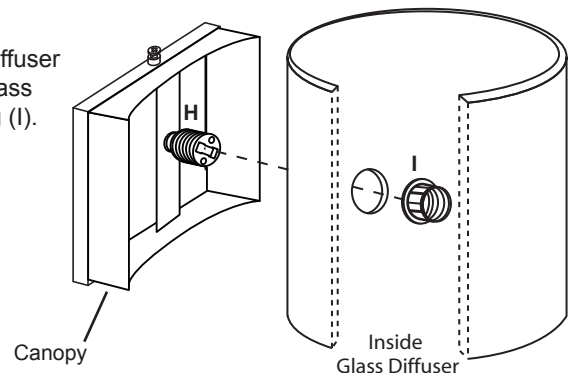
1. Carefully remove parts from package.
2. Remove the two Cap Nuts (A) to release the Canopy from the Mounting Bracket (B).
3. If desired, the Canopy can be offset by 7/8" in each direction. Loosen the two hex nuts on the back of the canopy, reposition the canopy to the desired location, then retighten the hex nuts.
4. Attach the Mounting Bracket to the Outlet Box (C) with two Machine Screws (D) provided.
5. Connect the electrical leads from the fixture to the house supply wires, black to black and white to white, and secure with wirenuts provided (E). Connect the House Ground Wire to the Bare Copper Lead from the fixture, and secure with wirenut provided (F).
6. Align the circular openings on the Backplate with the Threaded Posts (G) on the Mounting Plate. Push the Canopy over the Threaded Posts until the Canopy is flush with the wall, then secure with the Cap Nuts.
7. With the power still off, insert bulb of not more than the labeled wattage. Install glass diffusers.

## GLASS INSTALLATION:

Install Glass Diffuser by aligning hole of Glass Diffuser with the socket of the Fixture (H). Then install Glass Diffuser onto Fixture by threading on Check Ring (I).

**NOTE:** Glass Diffuser shown is for example purposes, the actual Glass Diffuser may be different in appearance.

8. Restore power.



All electrical connections and the installation of this fixture must be in agreement with local codes, ordinances or the NEC (National Electric Code) or CEC (Canadian Electrical Code). Do not connect this fixture to an electrical system that does not provide a means for equipment grounding.