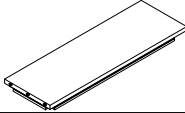

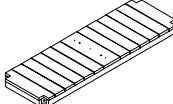
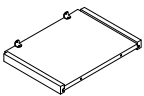
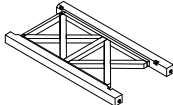


ASSEMBLY INSTRUCTIONS

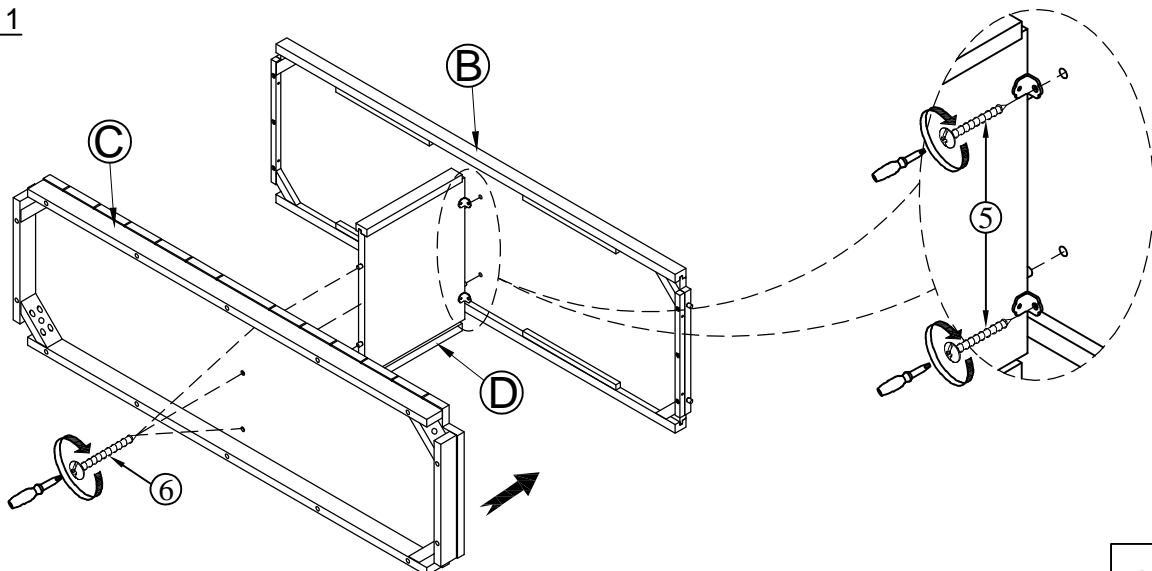
MODEL # : 8632-004 JENSON CONSOLE TABLE (V#12600TNWC1)

**NOTE: THIS ITEM NOT RECOMMENDED FOR COMMERCIAL USE
KEEP THIS DOCUMENT FOR REFERENCE IN CASE PARTS ARE NEEDED
DO NOT TIGHTEN SCREWS UNTIL COMPLETELY ASSEMBLED!!**

No	PARTS LIST		Q'TY
A		TABLE TOP	1PC
B		UPPER SHELF	1PC
C		BOTTOM SHELF	1PC
D		VERTICAL PANEL	1PC
E		LEG FRAME	2PCS

NO.	HARDWARE LIST			Q'TY
1		ALLEN BOLT	Ø5/16" x 2-3/8"	8PCS
2		LOCK WASHER	Ø5/16"	8PCS
3		FLAT WASHER	Ø5/16" x 19Dmm	8PCS
4		ALLEN KEY	4mm	1PC
5		SCREW	5/8" x 4mm	2PCS
6		SCREW	1" x 4mm	7PCS

STEP 1

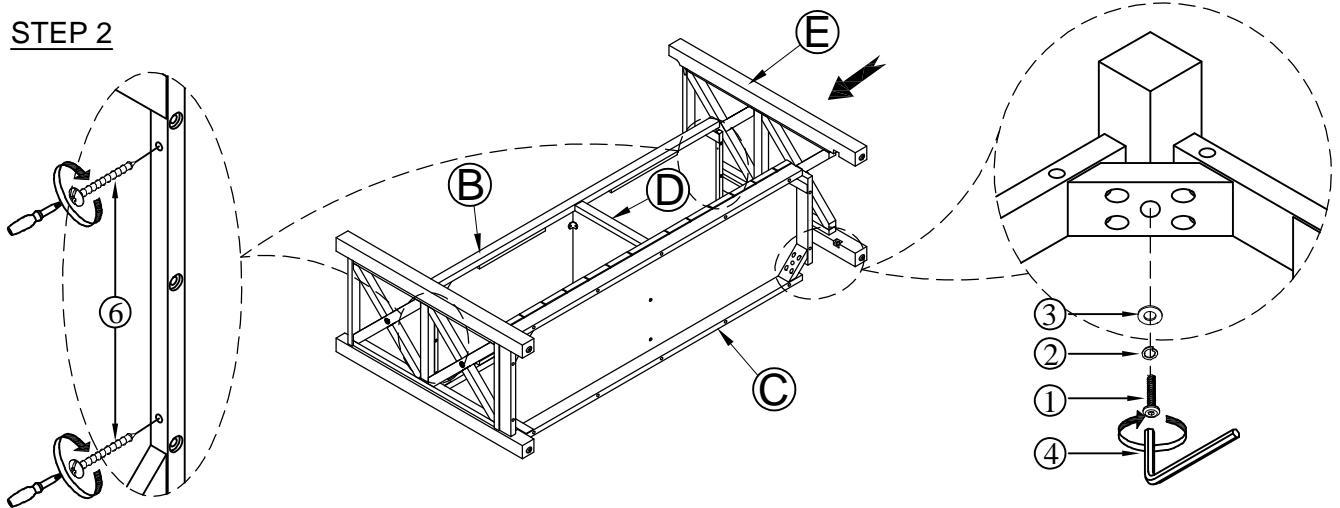


ASSEMBLY INSTRUCTIONS

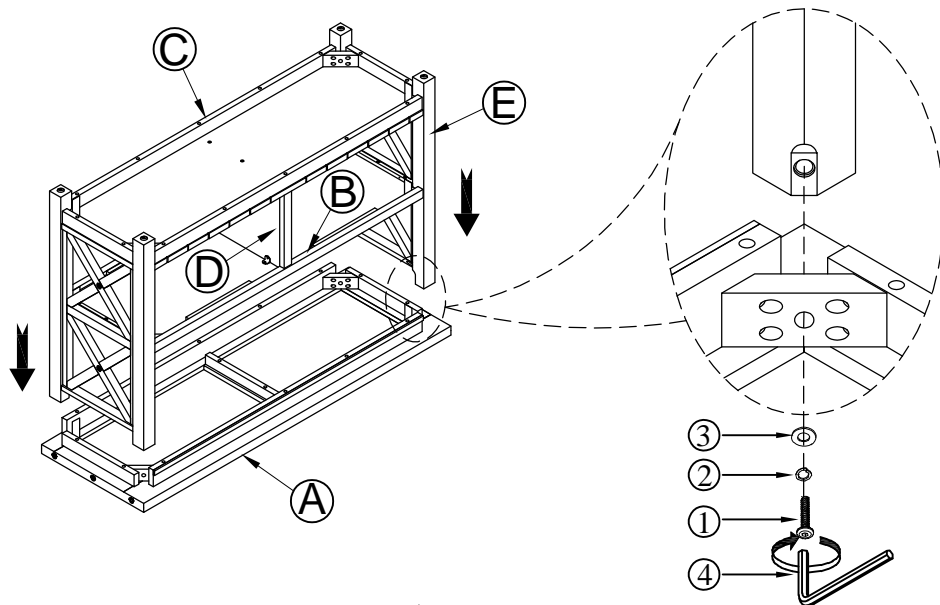
MODEL # : 8632-004 JENSON CONSOLE TABLE (V#12600TNWC1)

NOTE: THIS ITEM NOT RECOMMENDED FOR COMMERCIAL USE
KEEP THIS DOCUMENT FOR REFERENCE IN CASE PARTS ARE NEEDED
DO NOT TIGHTEN SCREWS UNTIL COMPLETELY ASSEMBLED!!

STEP 2



STEP 3



COMPLETED

