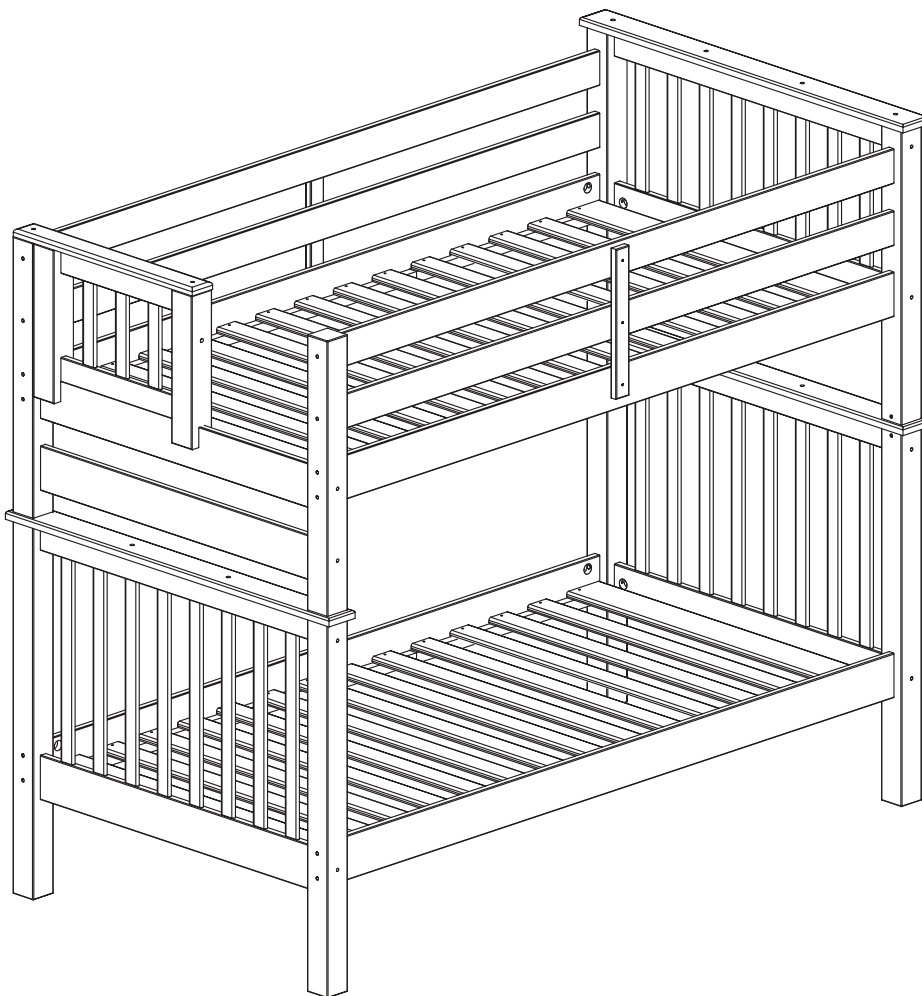


# Twin over Twin Solid Wood Standard Bunk Bed with End Ladder and Trundle

## Assembly Instructions



**READ THESE INSTRUCTIONS CAREFULLY BEFORE  
ATTEMPTING TO ASSEMBLE THIS BED**

**SAFETY WARNINGS AND GENERAL NOTES**

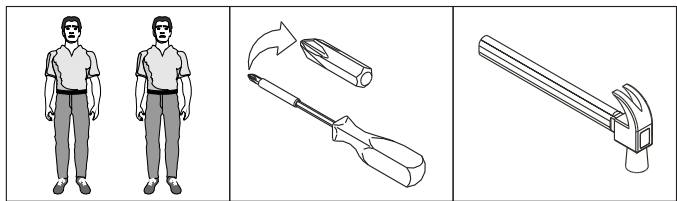
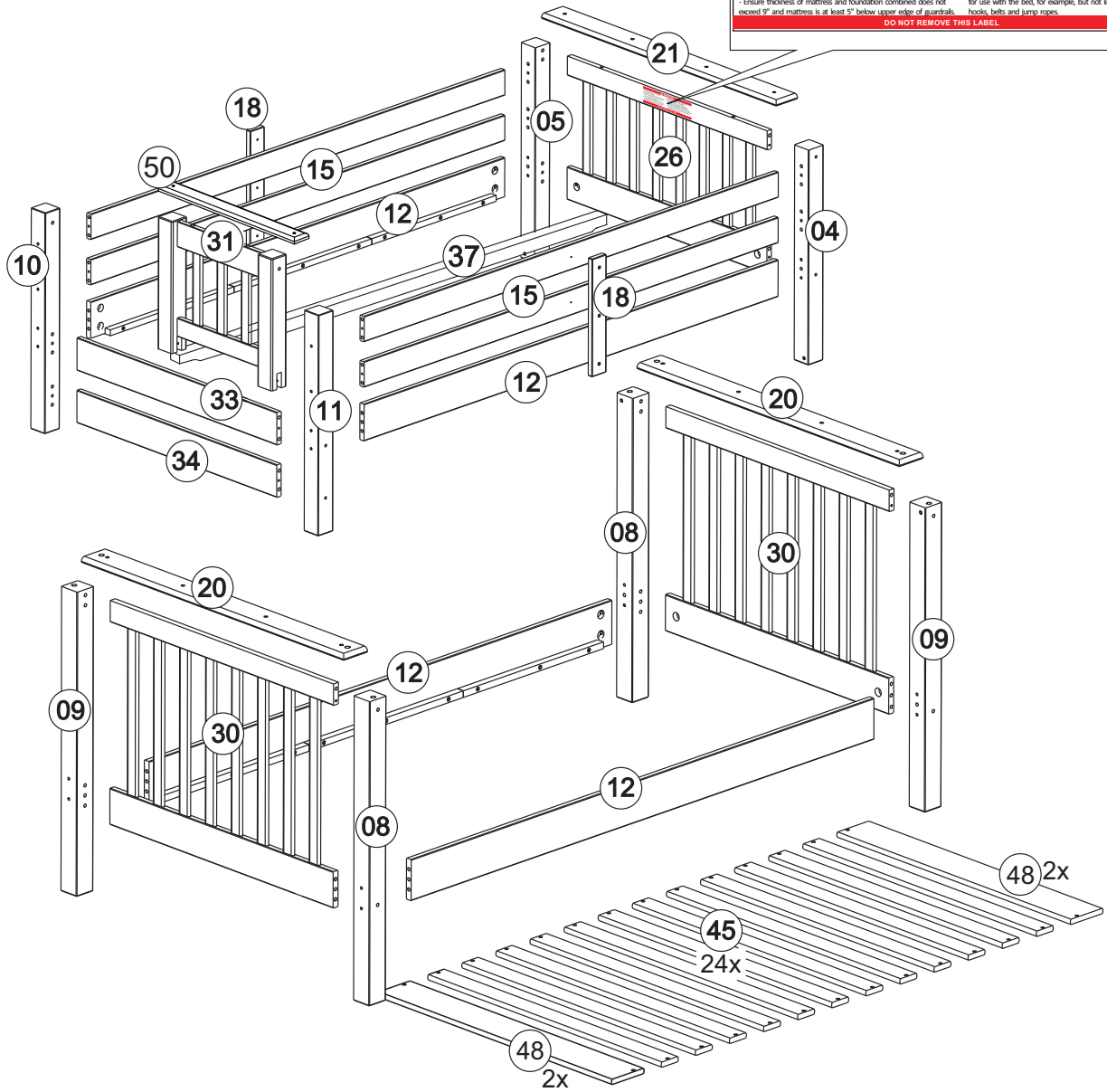
- ✓ Follow the information on the warning labels on the upper bunk bed structure and on the carton. Do not remove warning label from the bed.
- ✓ Always use the recommended size mattress or mattress support, or both, to help prevent the likelihood of entrapment or falls.
- ✓ The top surfaces of the mattress must be at least 5" below the upper edge of the guardrails.
- ✓ **Do not** allow children under 6 years of age to use the upper bunk.
- ✓ **Prohibit** more than one person on the upper bunk.
- ✓ Periodically check and ensure that the guardrails, ladder and other components are in their proper position, free from damage, and that all connectors are tight.
- ✓ **Do not** allow horseplay on or under the bed. Always prohibit jumping on the bed.
- ✓ Always use the ladder for entering and leaving the upper bunk.
- ✓ **Do not** use substitute parts. Contact the manufacturer or dealer for replacement parts.
- ✓ Use of a night-light may provide added safety for a child using the upper bunk.
- ✓ If the bunk bed will be placed next to the wall, the guardrail that runs the full length of the bed should be placed against the wall to prevent entrapment between the bed and the wall.
- ✓ Always use guardrails on both long sides of the upper bunk.
- ✓ The use of a water or sleep floatation mattress is prohibited.
- ✓ Keep these instructions for future reference.
- ✓ We recommend assembling your bunk bed on the shipping carton to protect your floor or carpet. Be certain all staples are out of the box before beginning assembly on the shipping carton.
- ✓ **Strangulation Hazard** Never attach or hang items to any part of the bunk bed that are not designed for use with the bed for example, but not limited to hooks, belts, and jump ropes.

**WARNING**

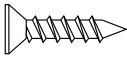
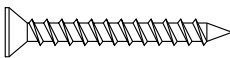

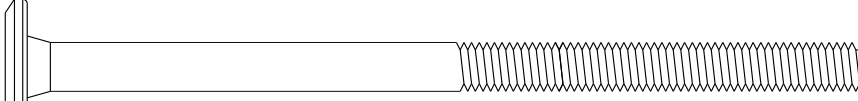
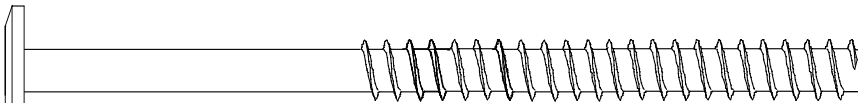
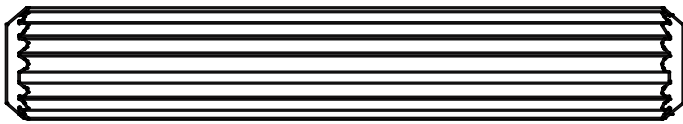
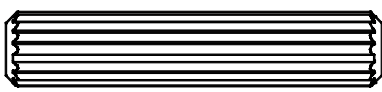
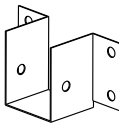

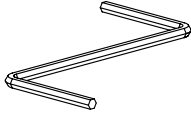
To help prevent serious or fatal injuries from entrapment or falls:

- Never allow a child under 6 years on upper bunk.
- Use only mattress which is 74" - 75" long and 37 1/2" - 38 1/2" wide on upper bunk.
- Use only mattress which is 74" - 75" long and 37 1/2" - 38 1/2" wide on lower bunk.
- Ensure thickness of mattress and foundation combined does not exceed 9" and mattress is at least 5" below upper edge of guardrails.
- Use guardrails on both sides of upper bunk.
- Prohibit horseplay on or under bed (s).
- Prohibit more than one person on upper bunk.
- Use ladder for entering and leaving upper bunk.
- STRANGULATION HAZARD - Never attach or hang items to any part of the bunk bed that are not designed for use with the bed, for example, but not limited to hooks, belts and jump ropes.

**DO NOT REMOVE THIS LABEL**

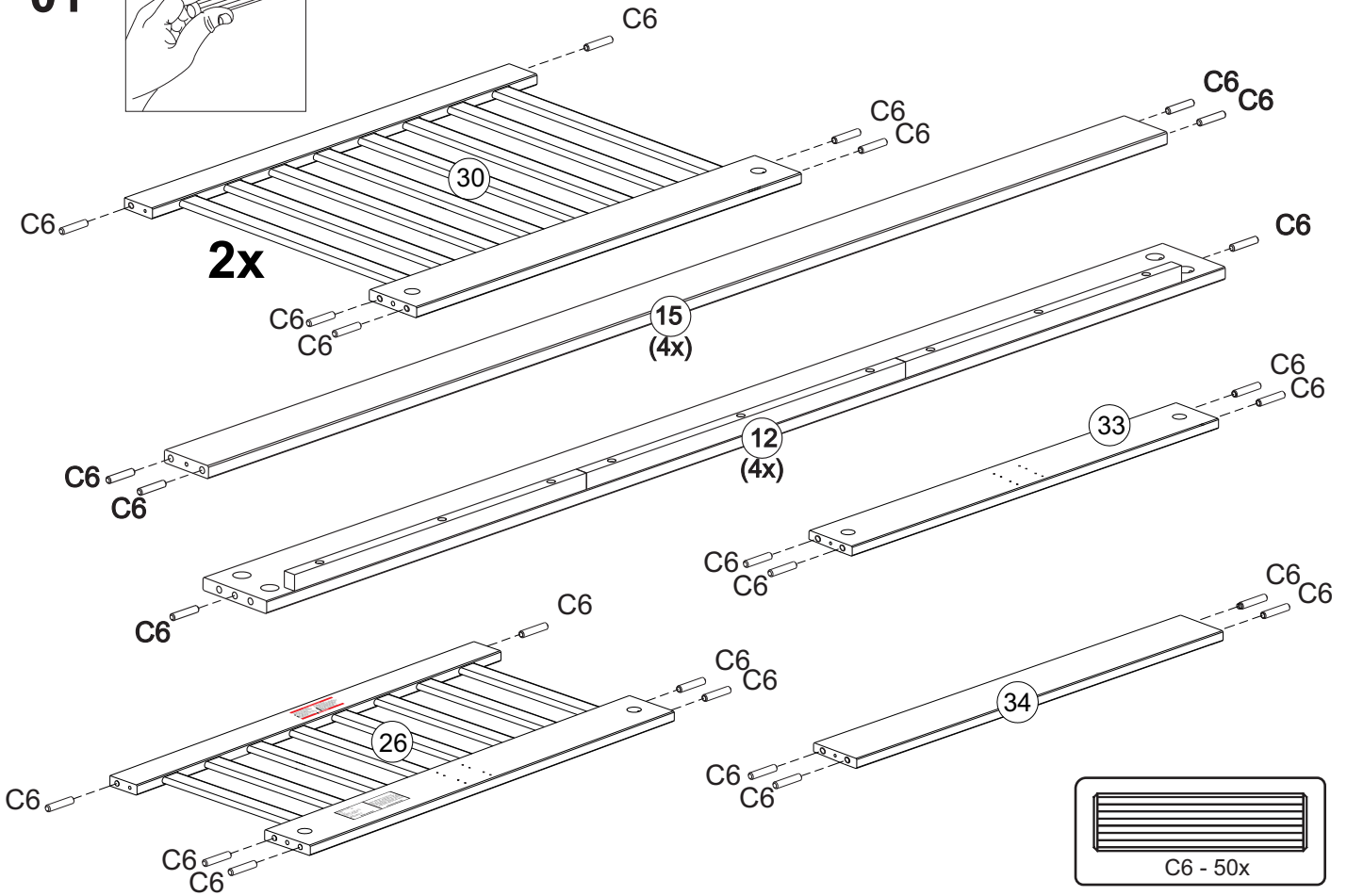
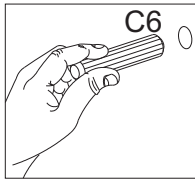


SCREWS ARE SHOWN IN ACTUAL SIZE

|     |  | Qty. | Extra |
|-----|--|------|-------|
| A5  | <br>3,5x16    | 12   |       |
| A10 | <br>3,5x30    | 88   |       |
| B5  | <br>1/4"      | 24   | +2    |
| B7  | <br>1/4"x110 | 24   | +2    |
| B16 | <br>7,0x110  | 16   | +2    |
| C5  | <br>15x90    | 4    |       |
| C6  | <br>10x50   | 55   | +2    |
| D13 |             | 2    |       |
| G4  |             | 2    |       |
| G8  |             | 1    |       |

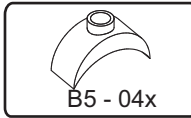
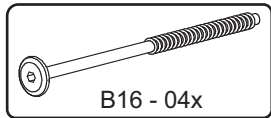
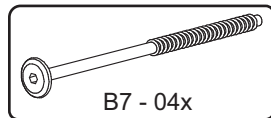
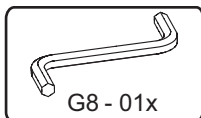
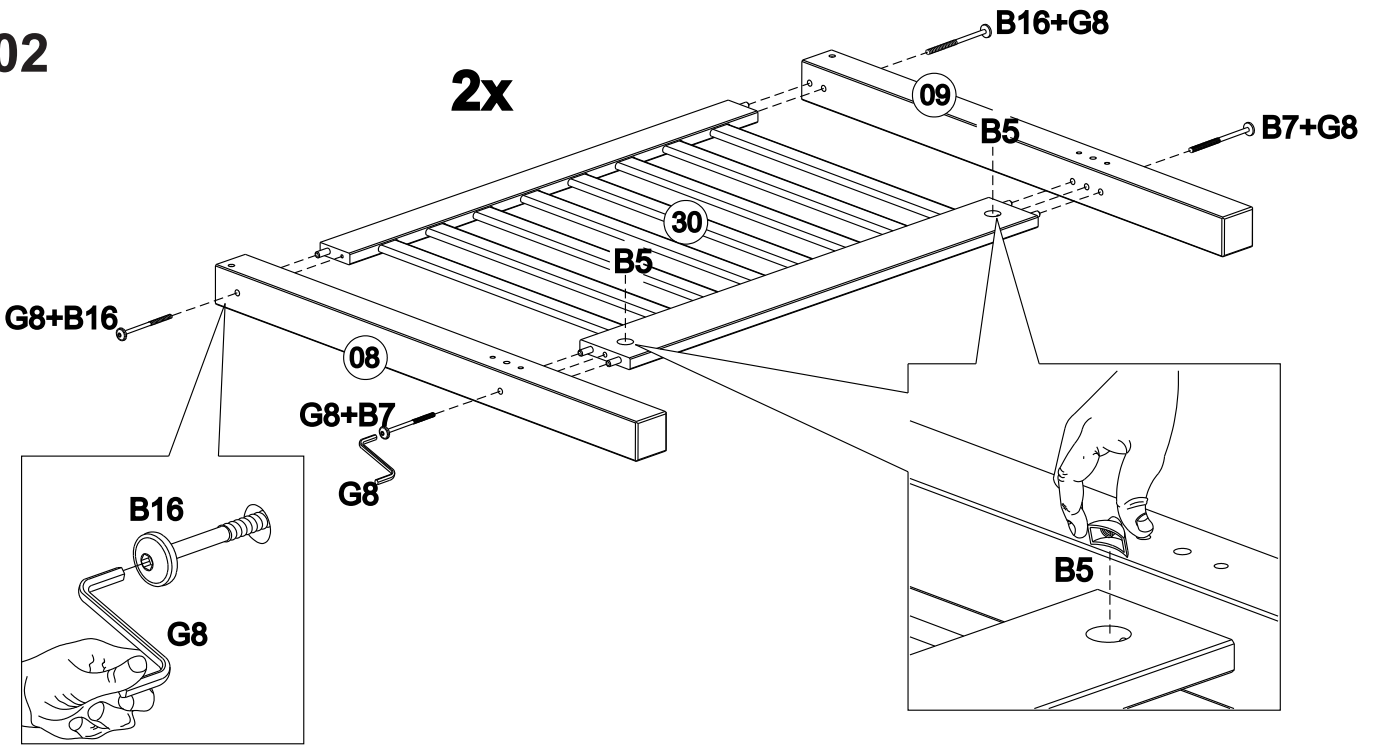
**WARNING - CHOKING HAZARD**  
**To be Assembled by Adults only!**  
**Small parts can be a choking hazard for children**

01

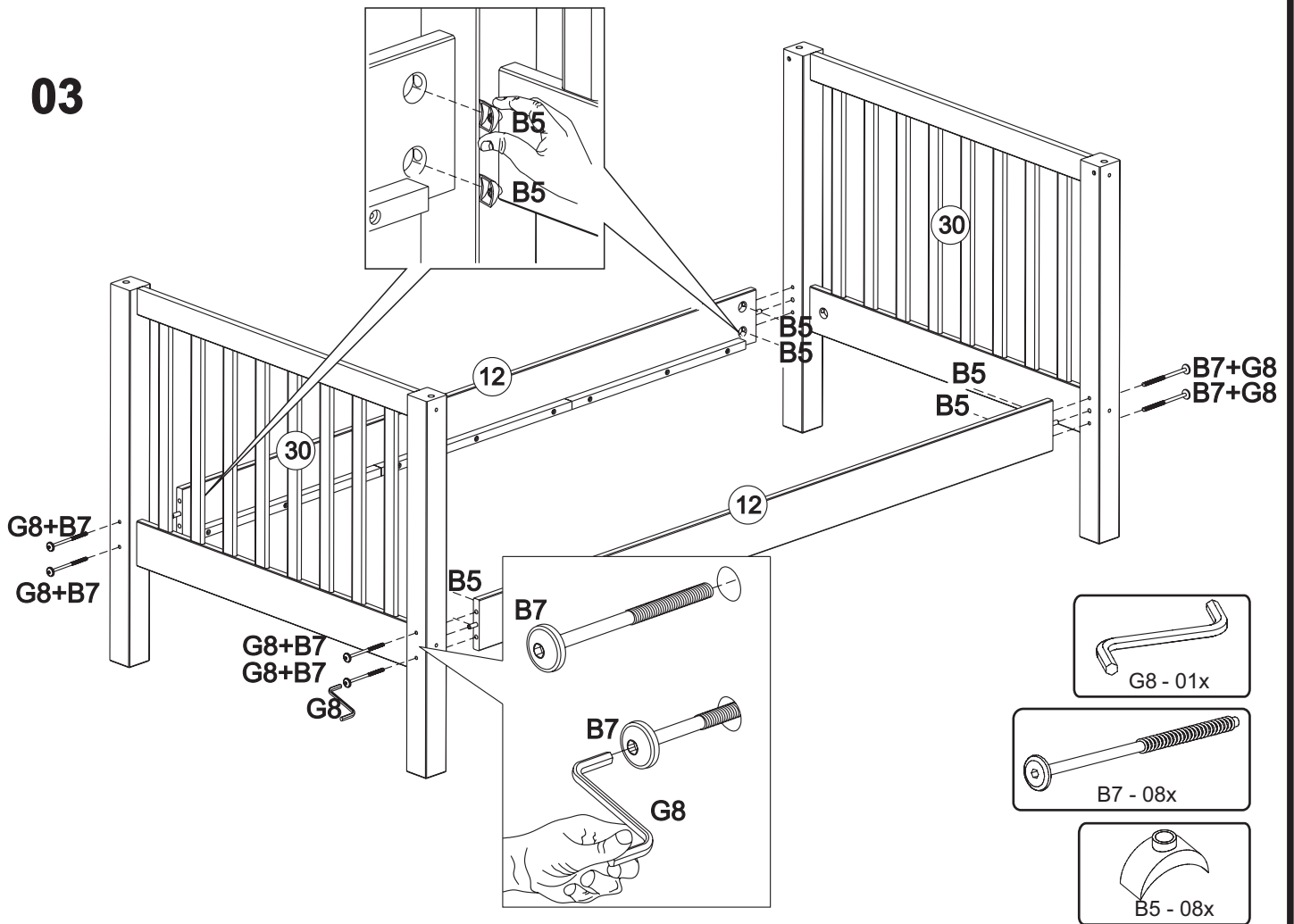


02

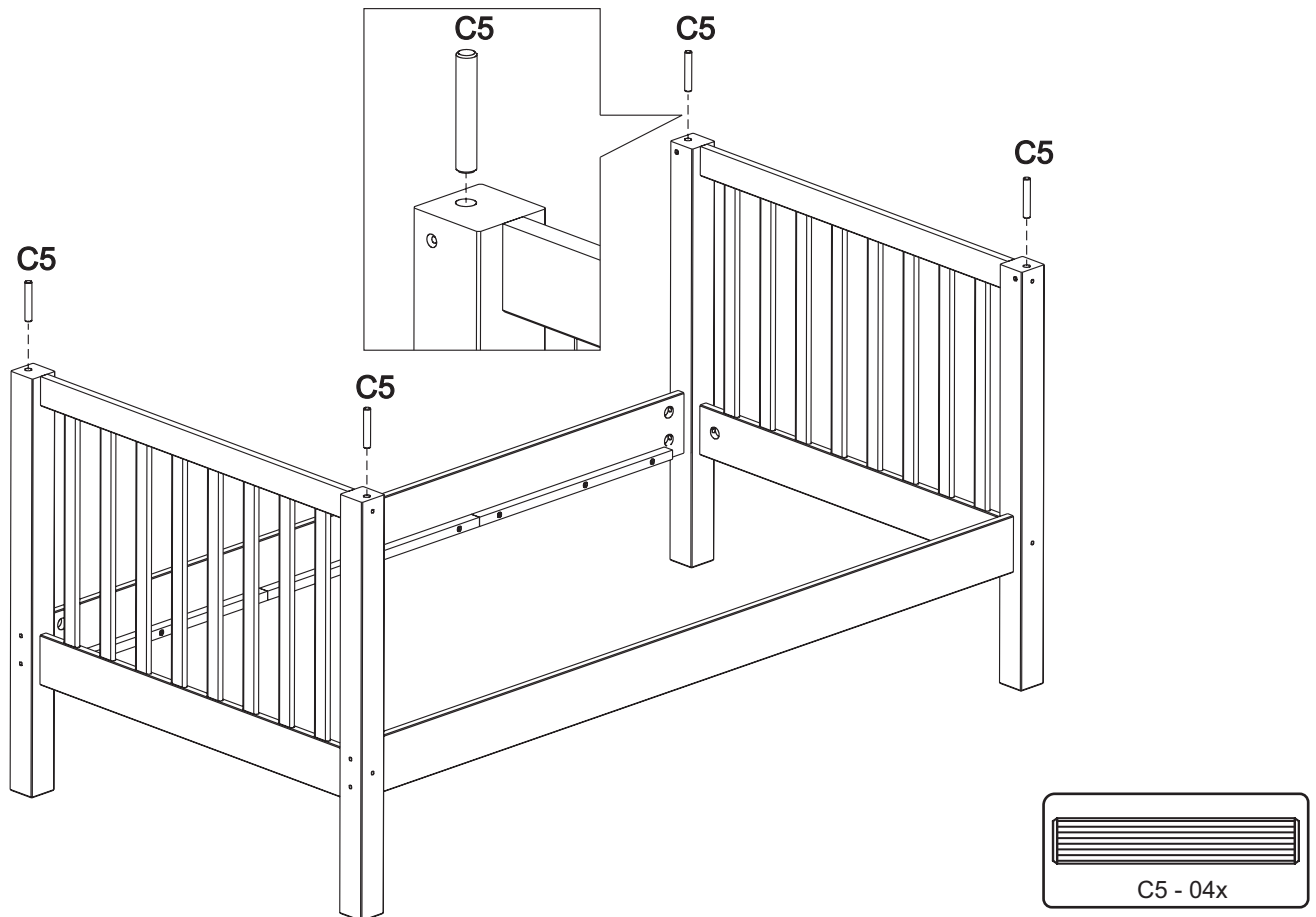
2x



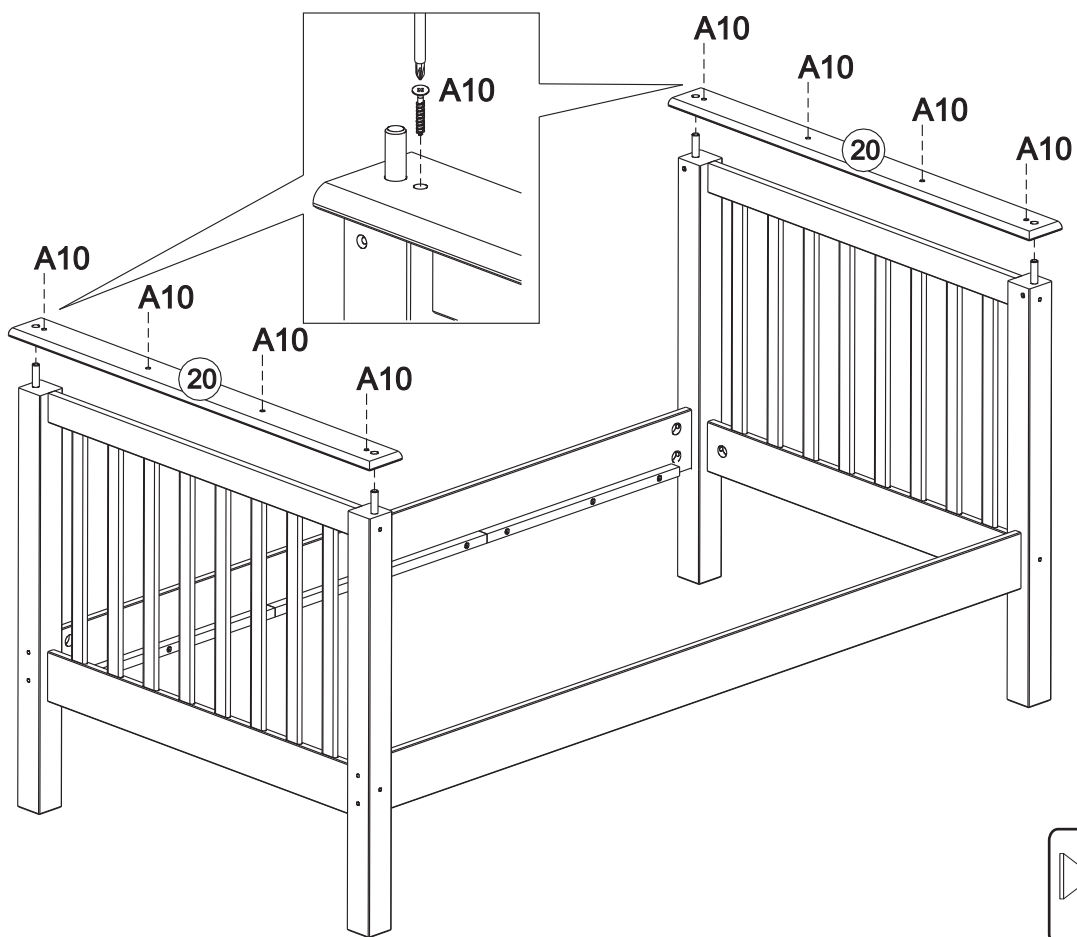
# 03



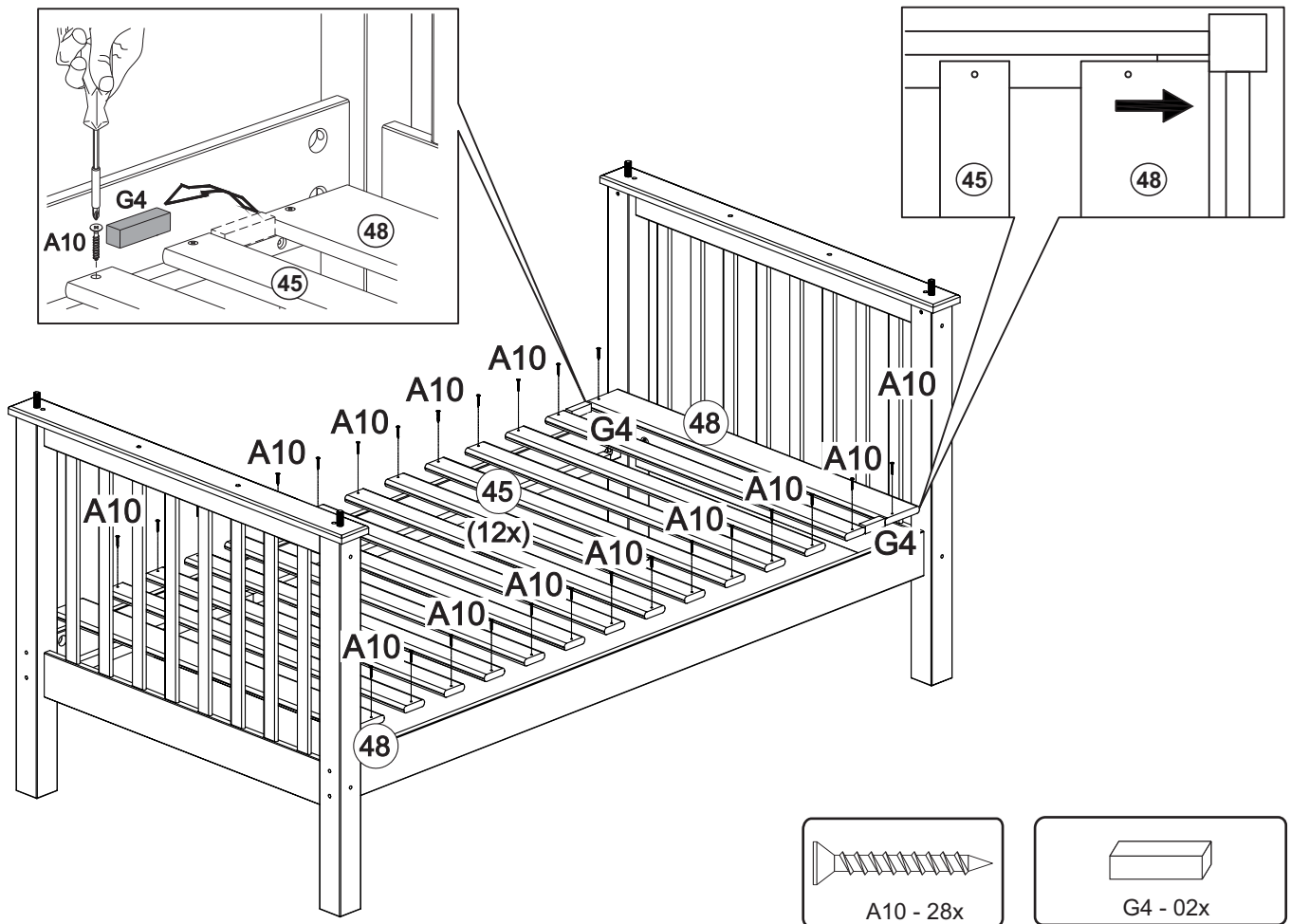
# 04



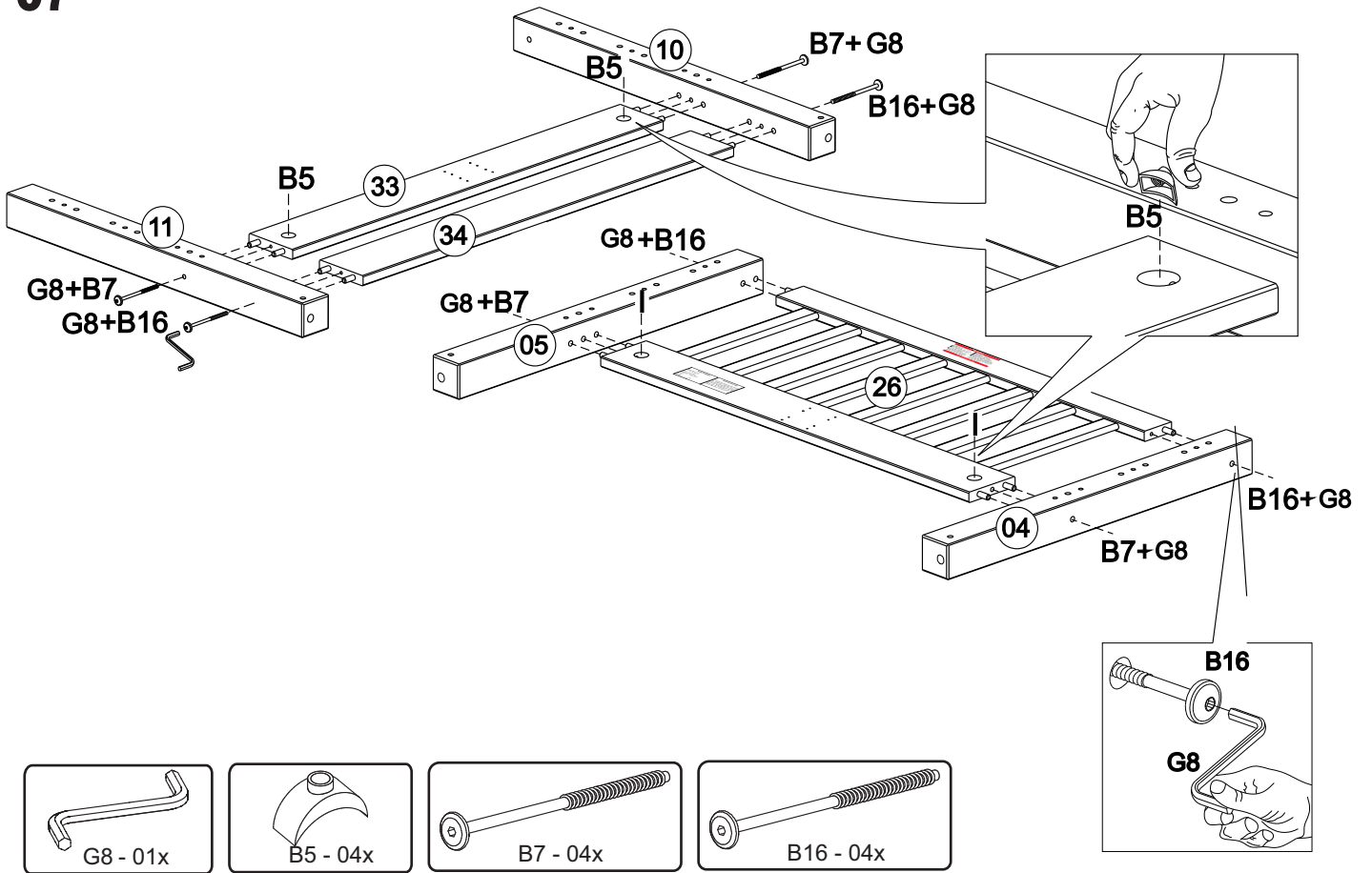
05



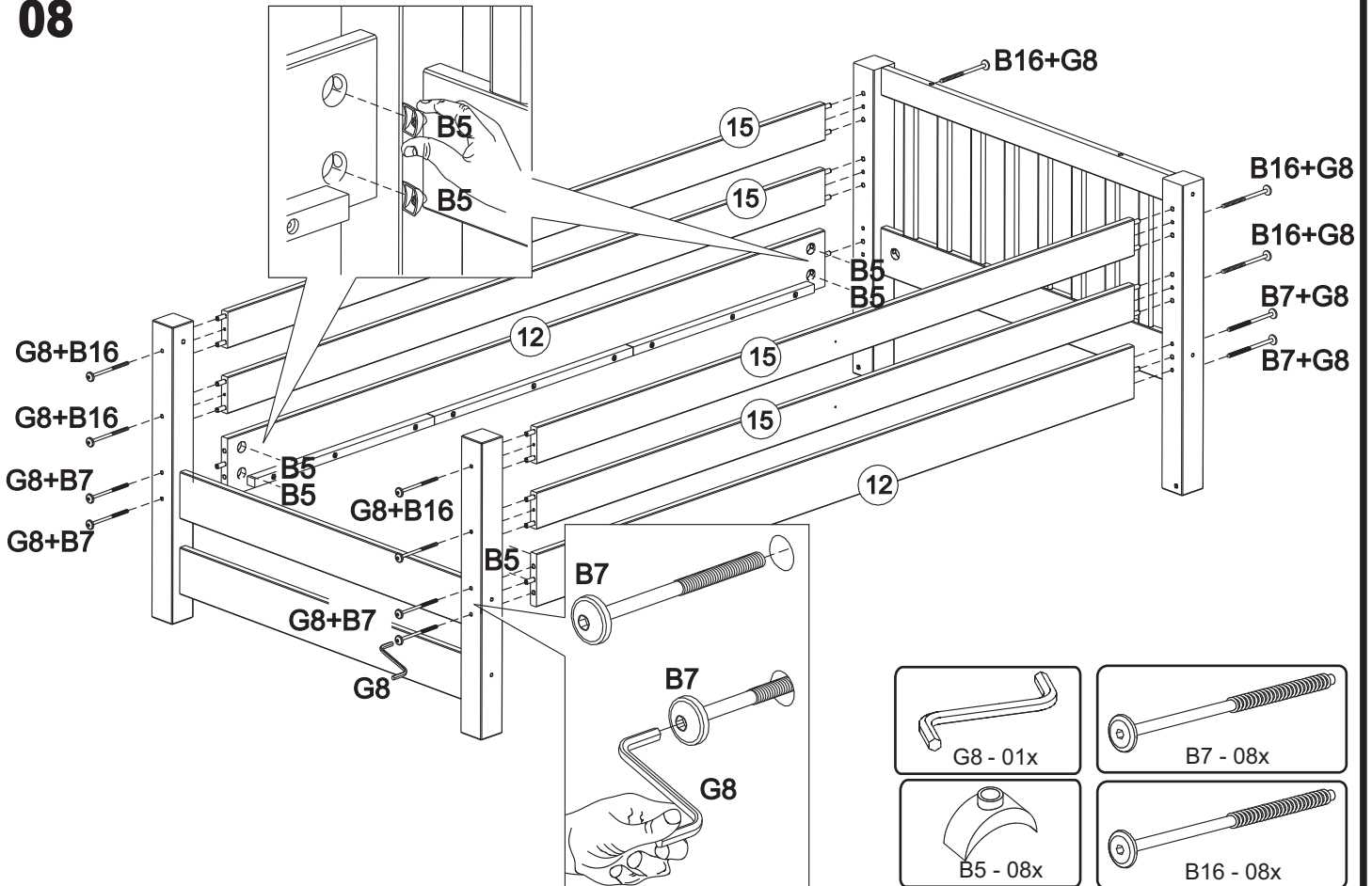
06



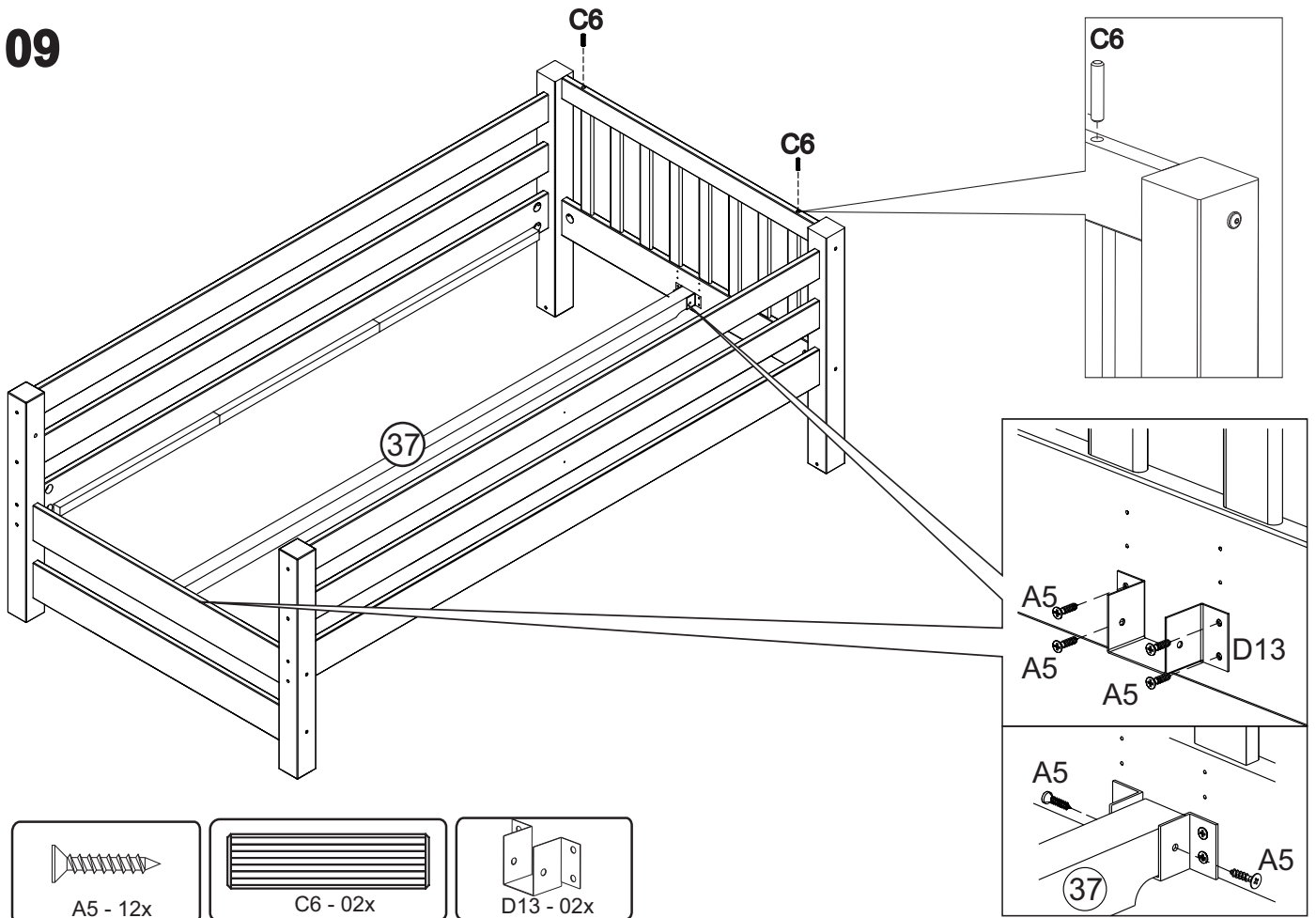
# 07



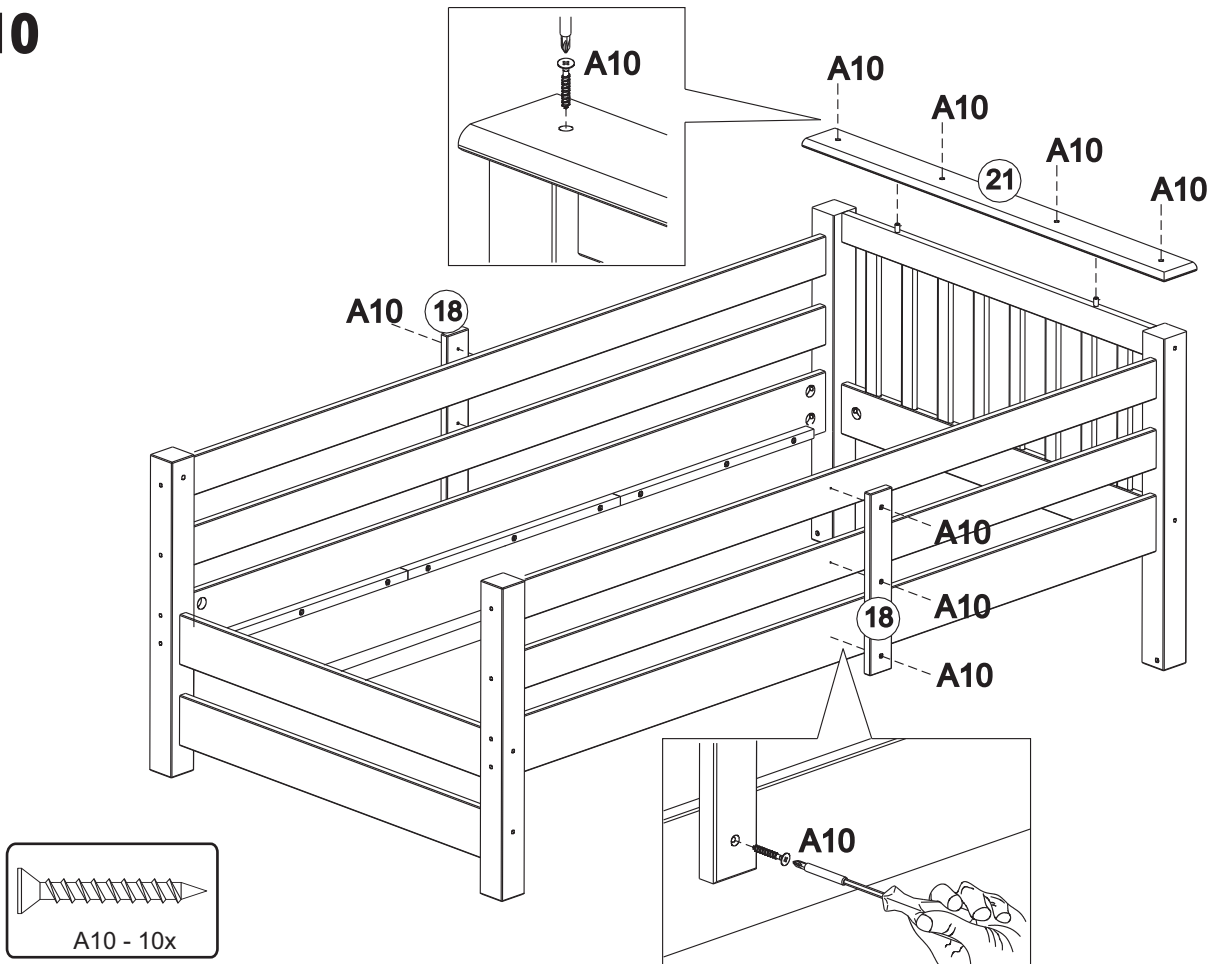
# 08



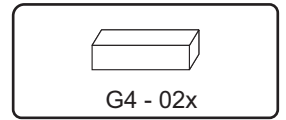
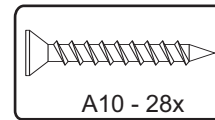
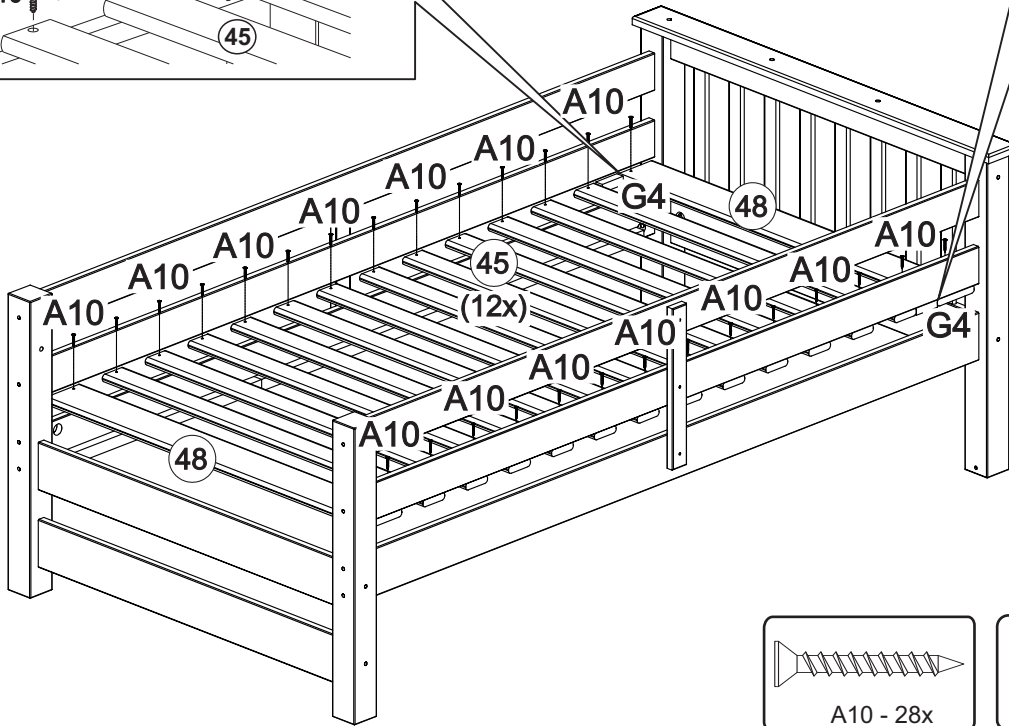
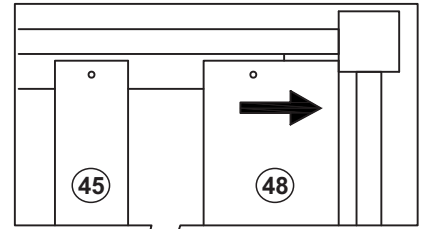
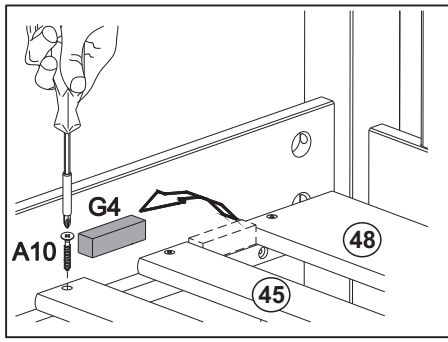
09



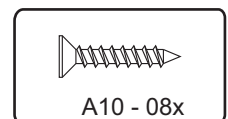
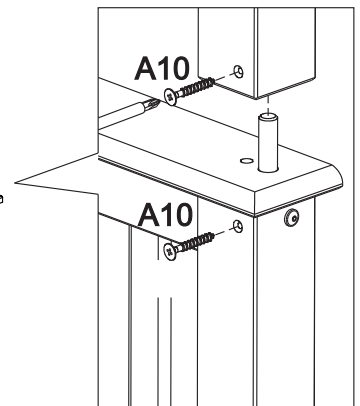
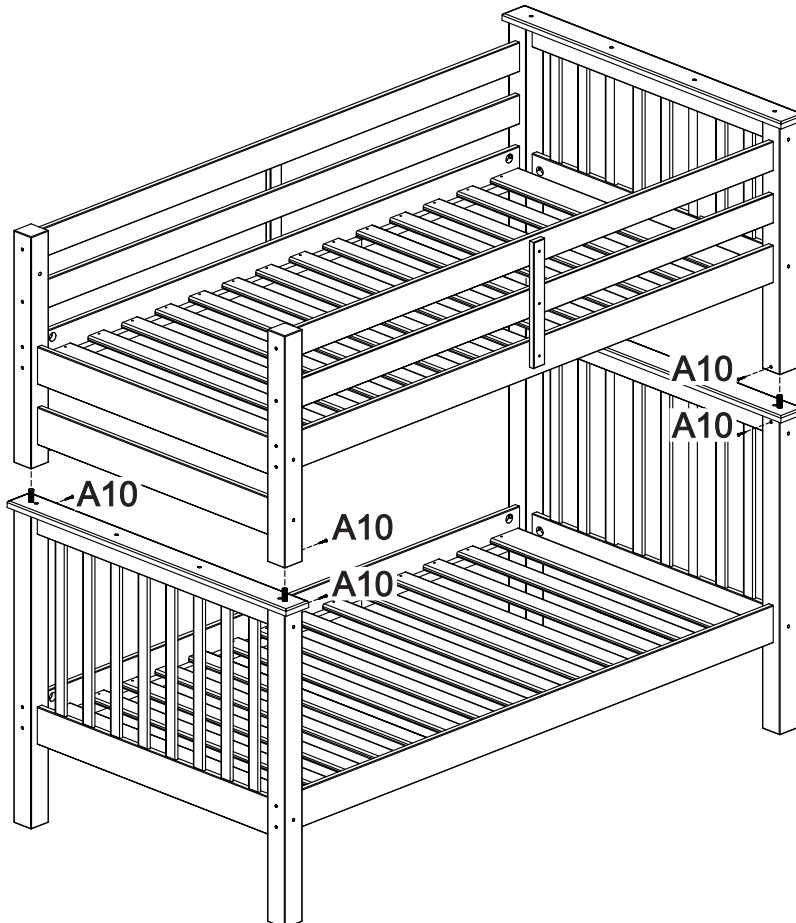
10



11

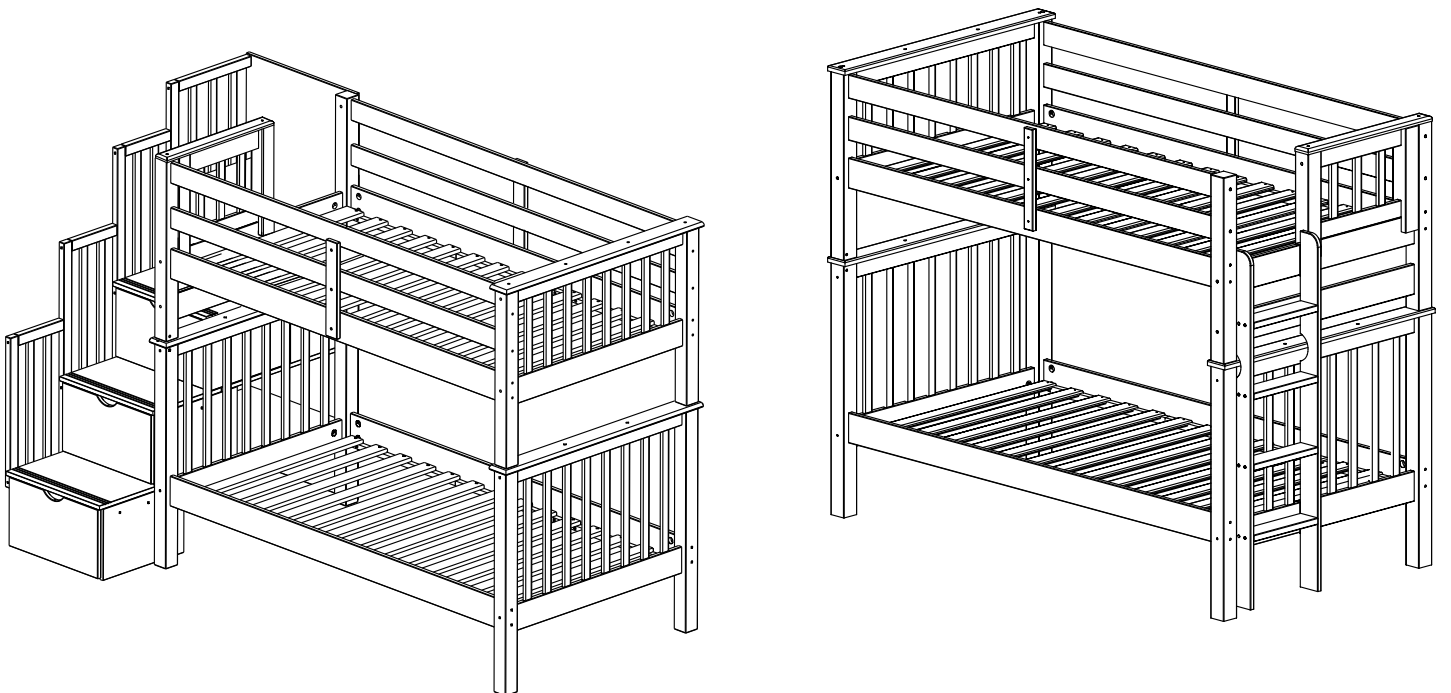
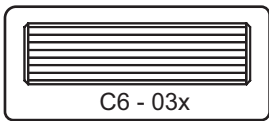
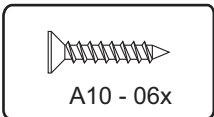
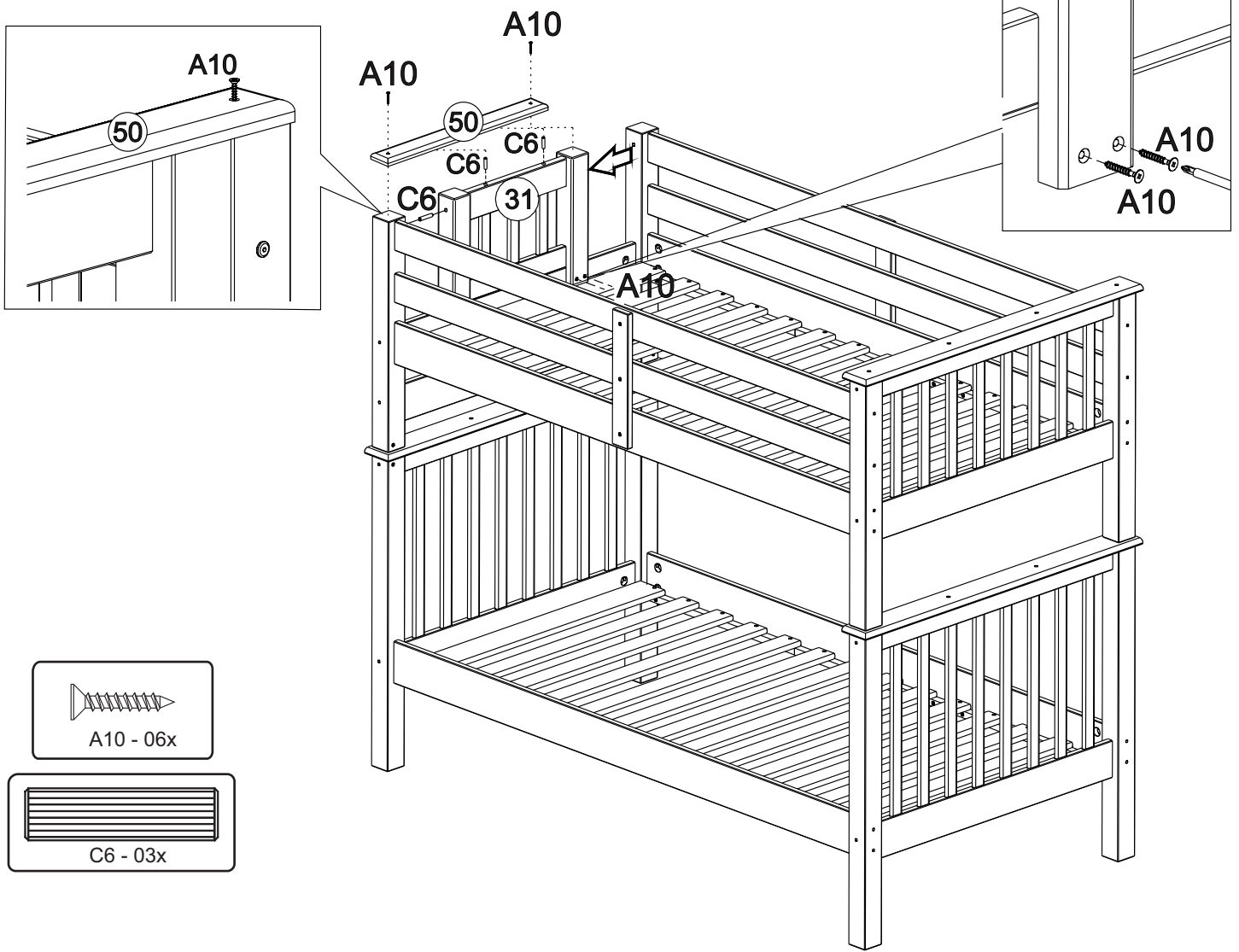


12



13

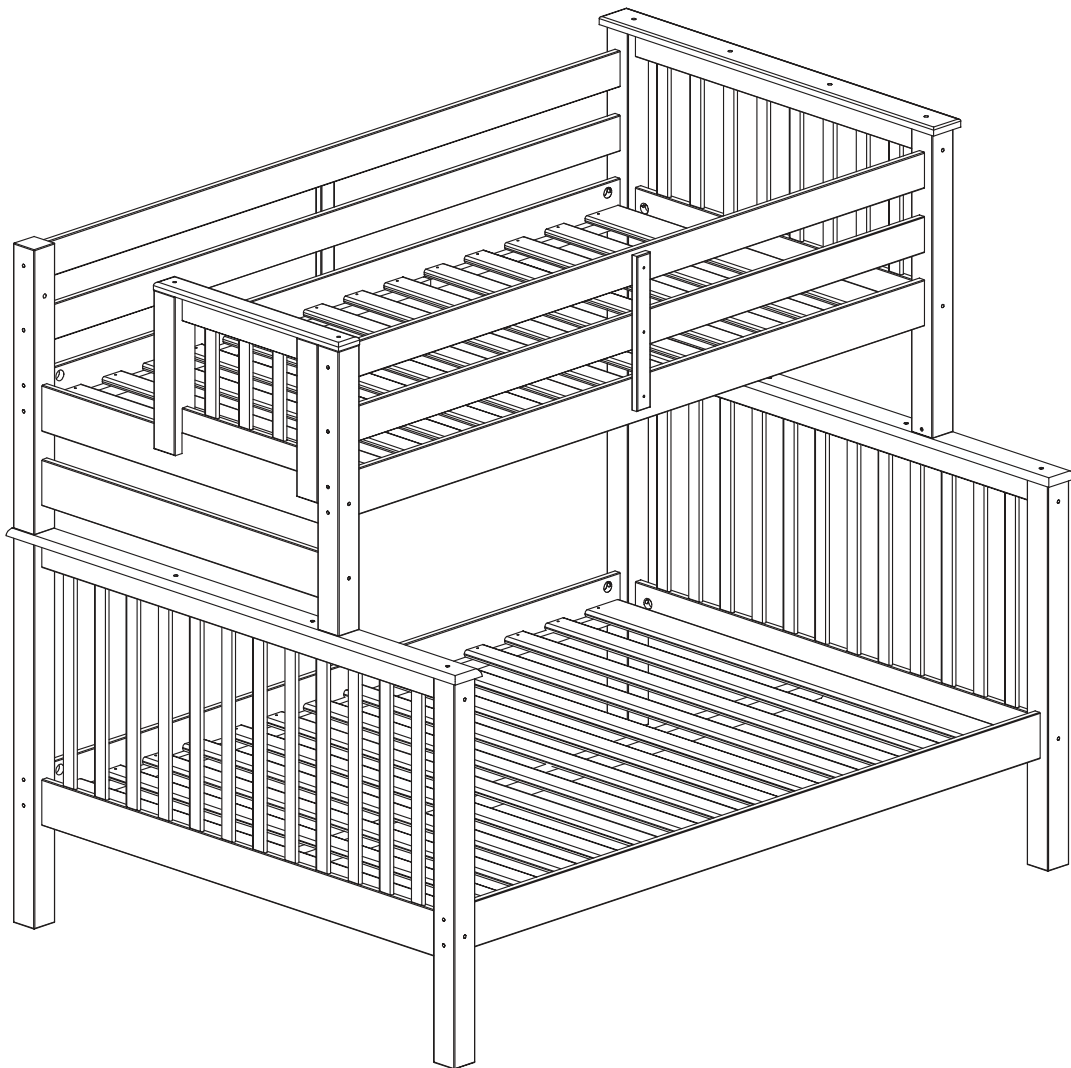
Option: LEFT





# TWIN OVER FULL END LADDER BUNK BED

## Assembly Instructions



**READ THESE INSTRUCTIONS CAREFULLY BEFORE  
ATTEMPTING TO ASSEMBLE THIS BED**

**SAFETY WARNINGS AND GENERAL NOTES**

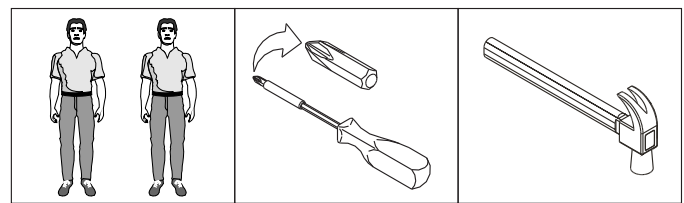
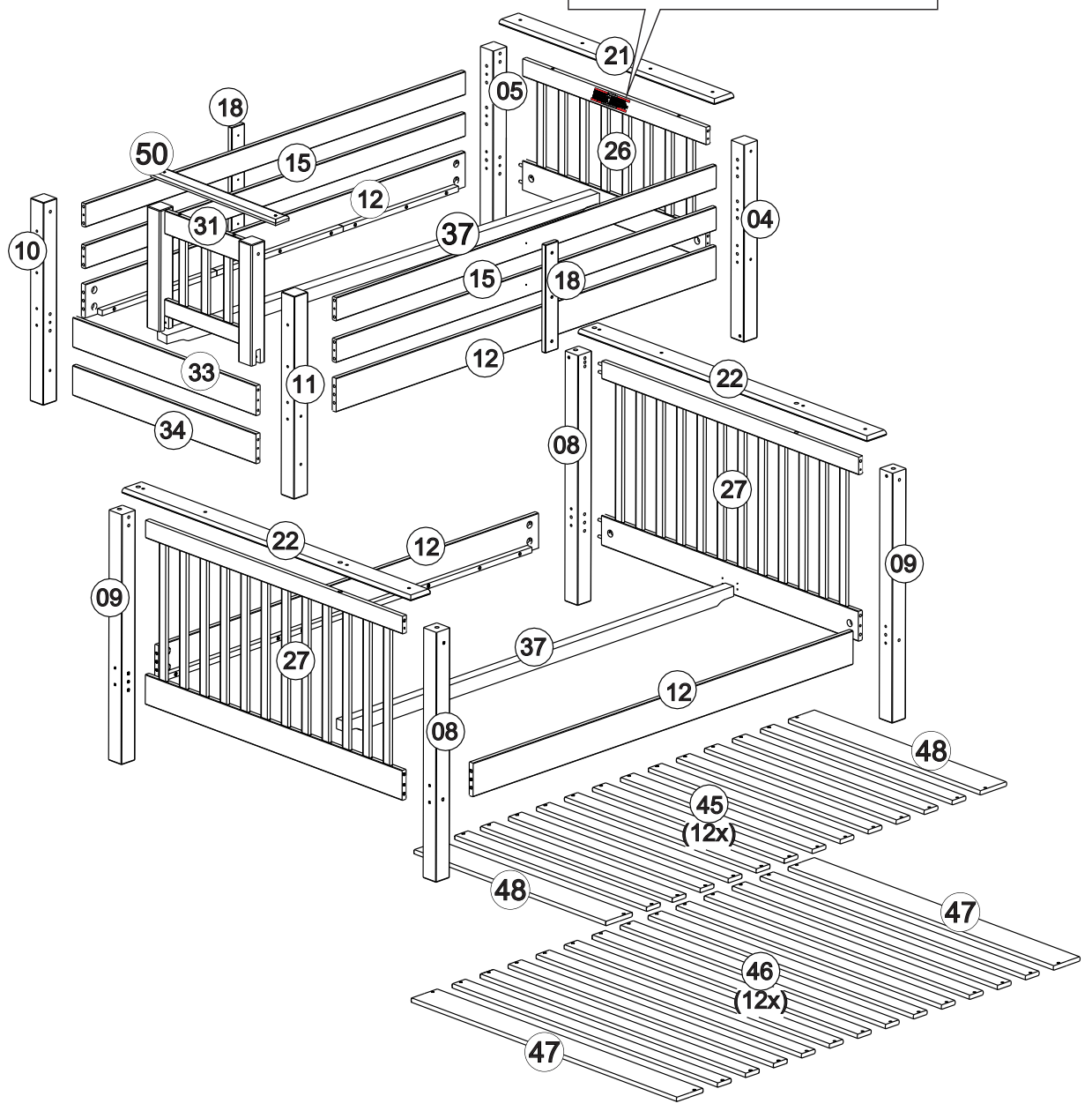
- ✓ Follow the information on the warning labels on the upper bunk bed structure and on the carton. Do not remove warning label from the bed.
- ✓ Always use the recommended size mattress or mattress support, or both, to help prevent the likelihood of entrapment or falls.
- ✓ The top surfaces of the mattress must be at least 5" below the upper edge of the guardrails.
- ✓ **Do not** allow children under 6 years of age to use the upper bunk.
- ✓ **Prohibit** more than one person on the upper bunk.
- ✓ Periodically check and ensure that the guardrails, ladder and other components are in their proper position, free from damage, and that all connectors are tight.
- ✓ **Do not** allow horseplay on or under the bed. Always prohibit jumping on the bed.
- ✓ Always use the ladder for entering and leaving the upper bunk.
- ✓ **Do not** use substitute parts. Contact the manufacturer or dealer for replacement parts.
- ✓ Use of a night-light may provide added safety for a child using the upper bunk.
- ✓ If the bunk bed will be placed next to the wall, the guardrail that runs the full length of the bed should be placed against the wall to prevent entrapment between the bed and the wall.
- ✓ Always use guardrails on both long sides of the upper bunk.
- ✓ The use of a water or sleep floatation mattress is prohibited.
- ✓ Keep these instructions for future reference.
- ✓ We recommend assembling your bunk bed on the shipping carton to protect your floor or carpet. Be certain all staples are out of the box before beginning assembly on the shipping carton.
- ✓ **Strangulation Hazard** Never attach or hang items to any part of the bunk bed that are not designed for use with the bed for example, but not limited to hooks, belts, and jump ropes.

**WARNING**

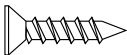
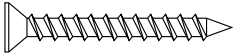

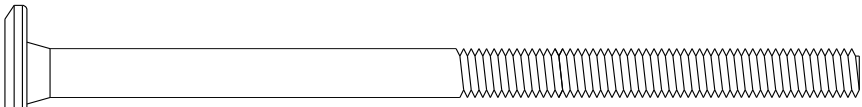
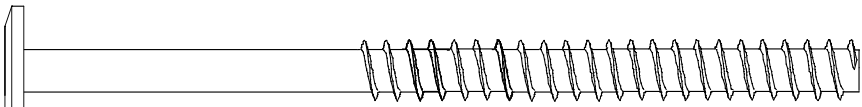


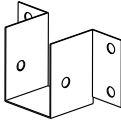
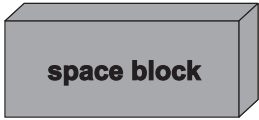
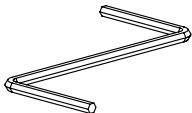
To help prevent serious or fatal injuries from entrapment or falls:

- Never allow a child under 6 years on upper bunk.
- Use only mattress which is 74" - 75" long and 37 1/2" - 38 1/2" wide on upper bunk.
- Use only mattress which is 74" - 75" long and 52 1/2" - 53 1/2" wide on lower bunk.
- Ensure thickness of mattress and foundation combined does not exceed 9" and mattress is at least 5" below upper edge of guardrail.
- Use guardrails on both sides of upper bunk.
- Prohibit hoisting on or under bed (s).
- Prohibit more than one person on upper bunk.
- Use ladder for entering and leaving upper bunk.
- STRANGULATION HAZARD - Never attach or hang items to any part of the bunk bed that are not designed for use with the bed, for example, but not limited to, hooks, belts and jump ropes.

**DO NOT REMOVE THIS LABEL.**

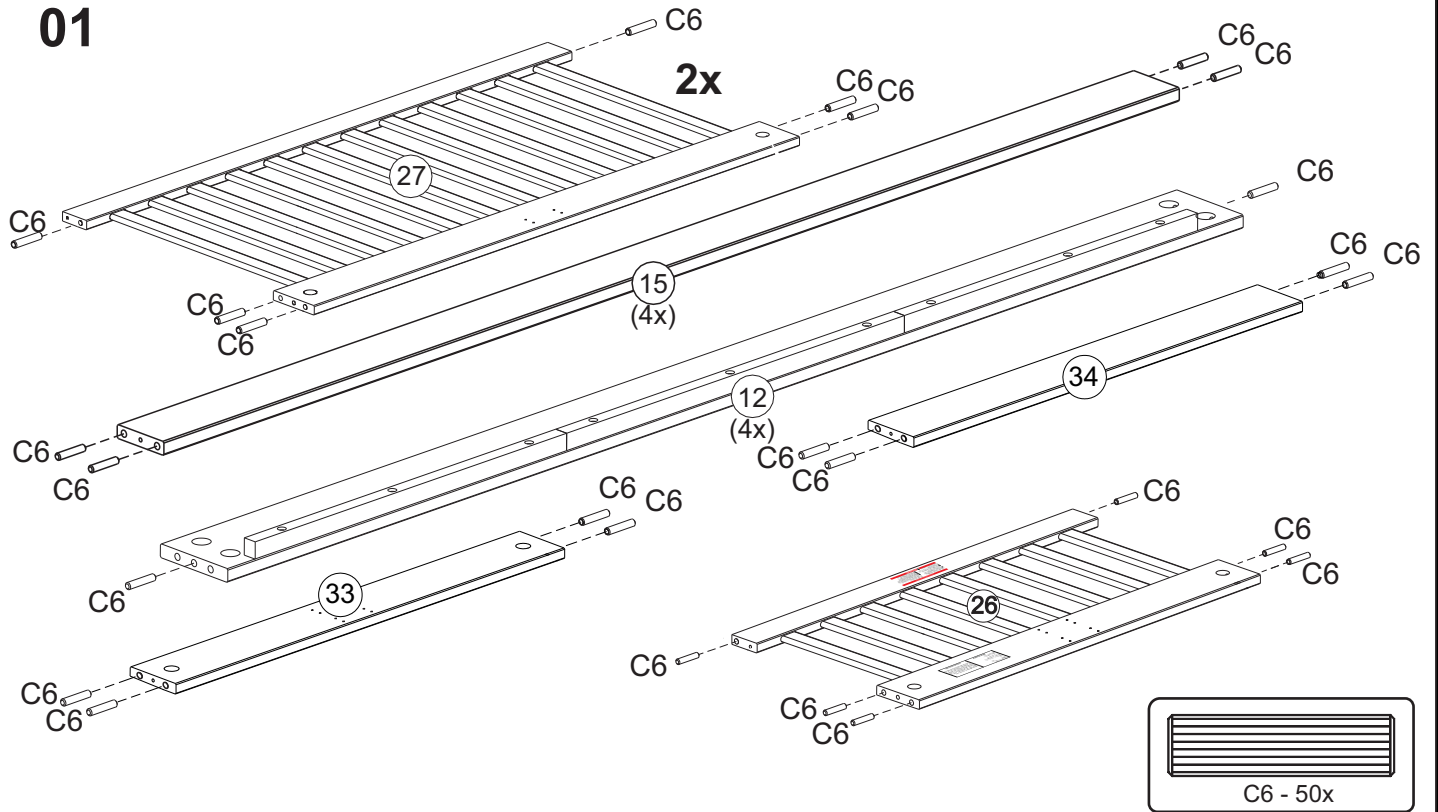


SCREWS ARE SHOWN IN ACTUAL SIZE

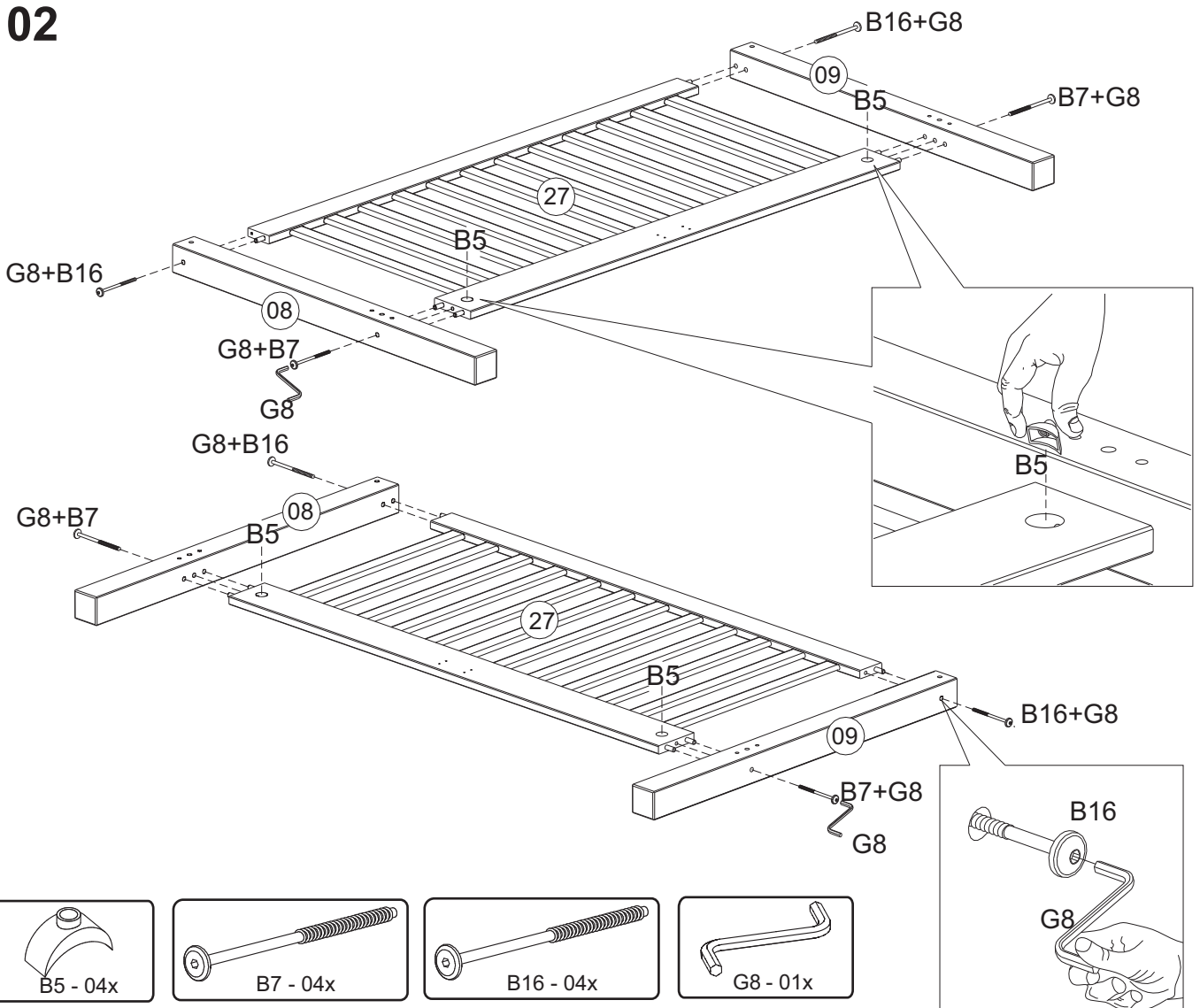
|     |  | Qty. | Extra |
|-----|--|------|-------|
| A5  | <br>3,5x16        | 24   |       |
| A10 | <br>3,5x30        | 86   |       |
| B5  | <br>1/4"          | 24   | +2    |
| B7  | <br>1/4"x110     | 24   | +2    |
| B16 | <br>7,0x110      | 16   | +2    |
| C5  | <br>15x90       | 4    |       |
| C6  | <br>10x50       | 55   | +2    |
| D13 |                 | 4    |       |
| G4  | <br>space block | 2    |       |
| G8  |                 | 1    |       |

**WARNING - CHOKING HAZARD**  
**To be Assembled by Adults only!**  
**Small parts can be a choking hazard for children**

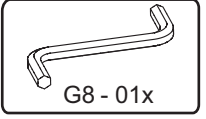
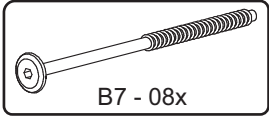
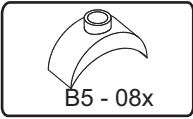
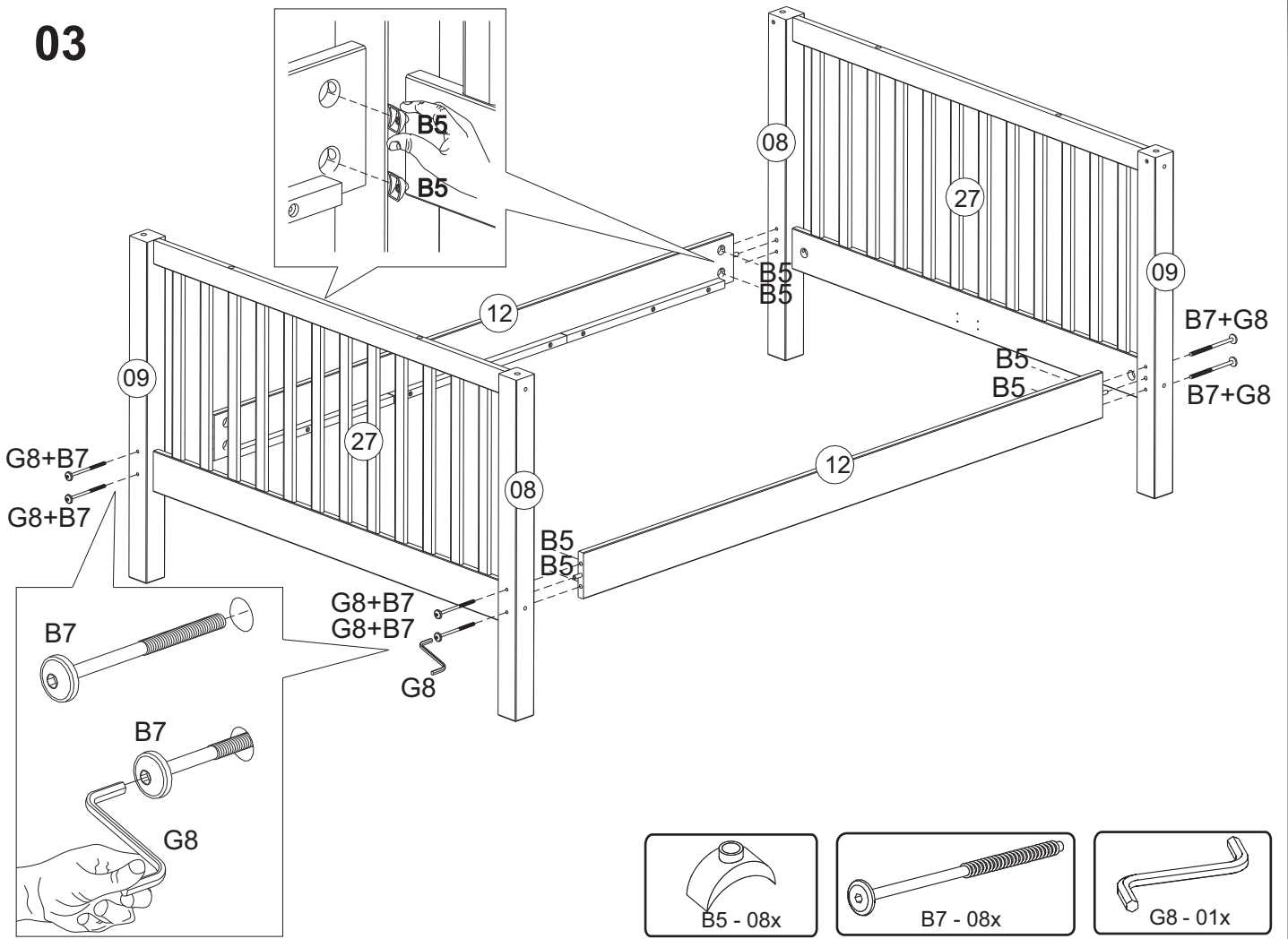
# 01



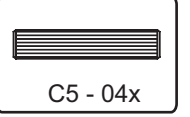
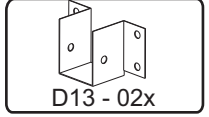
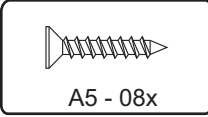
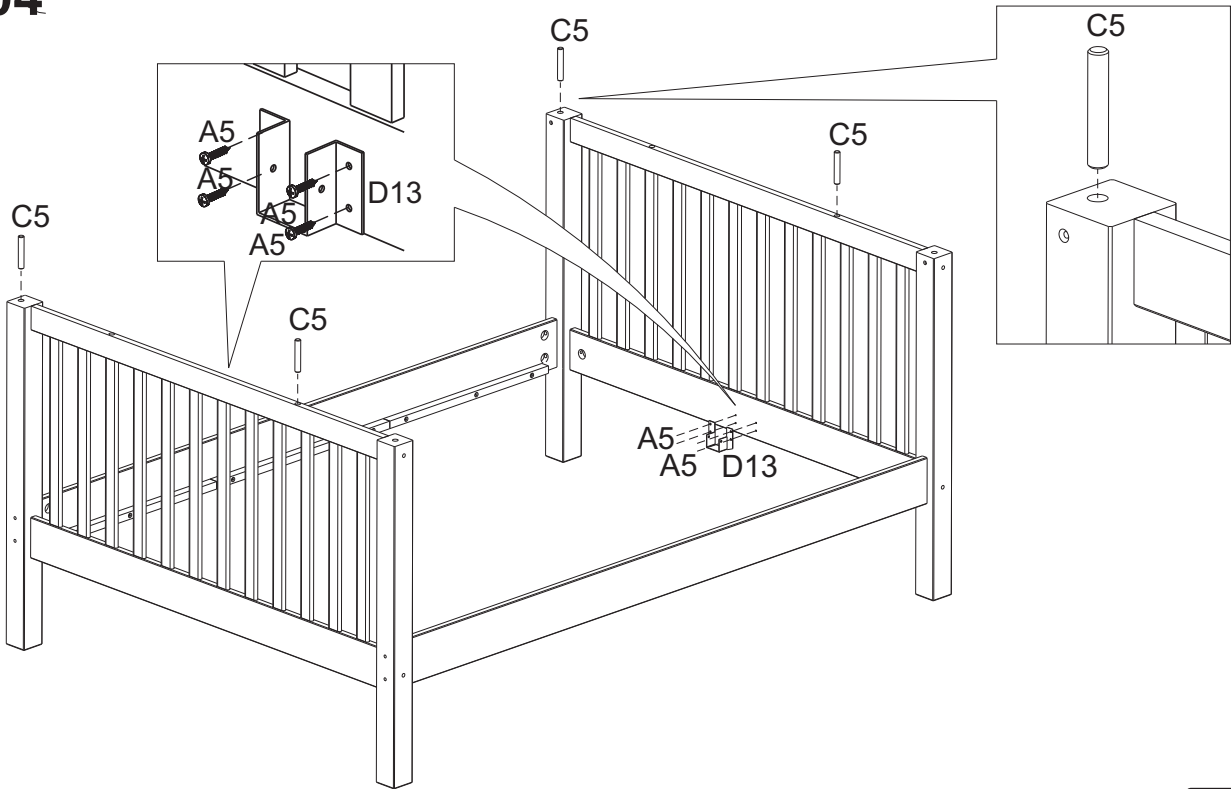
# 02



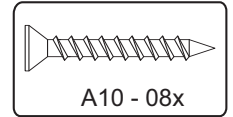
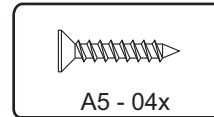
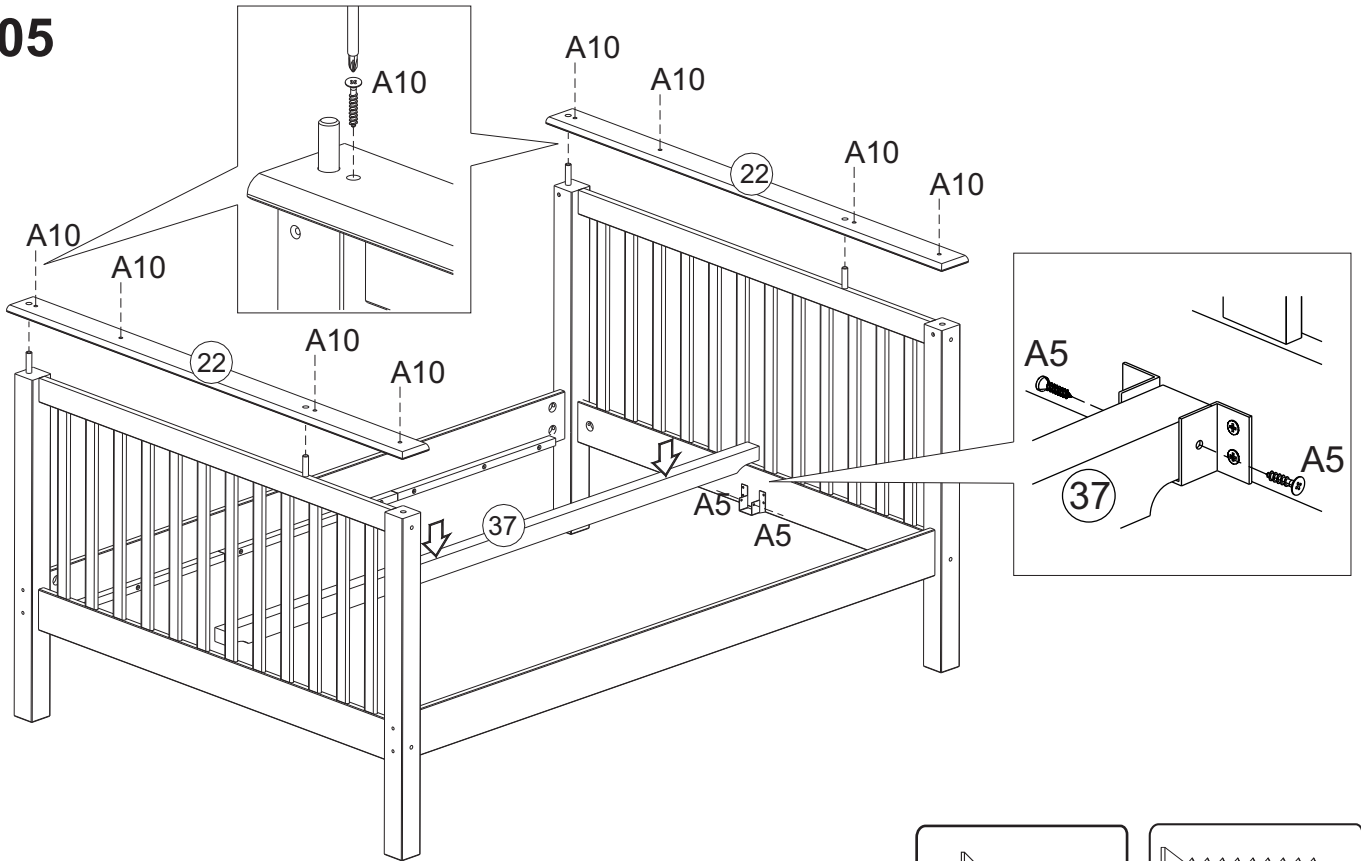
# 03



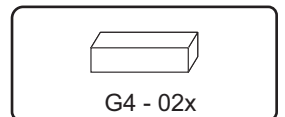
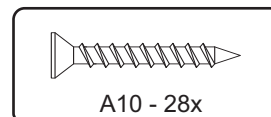
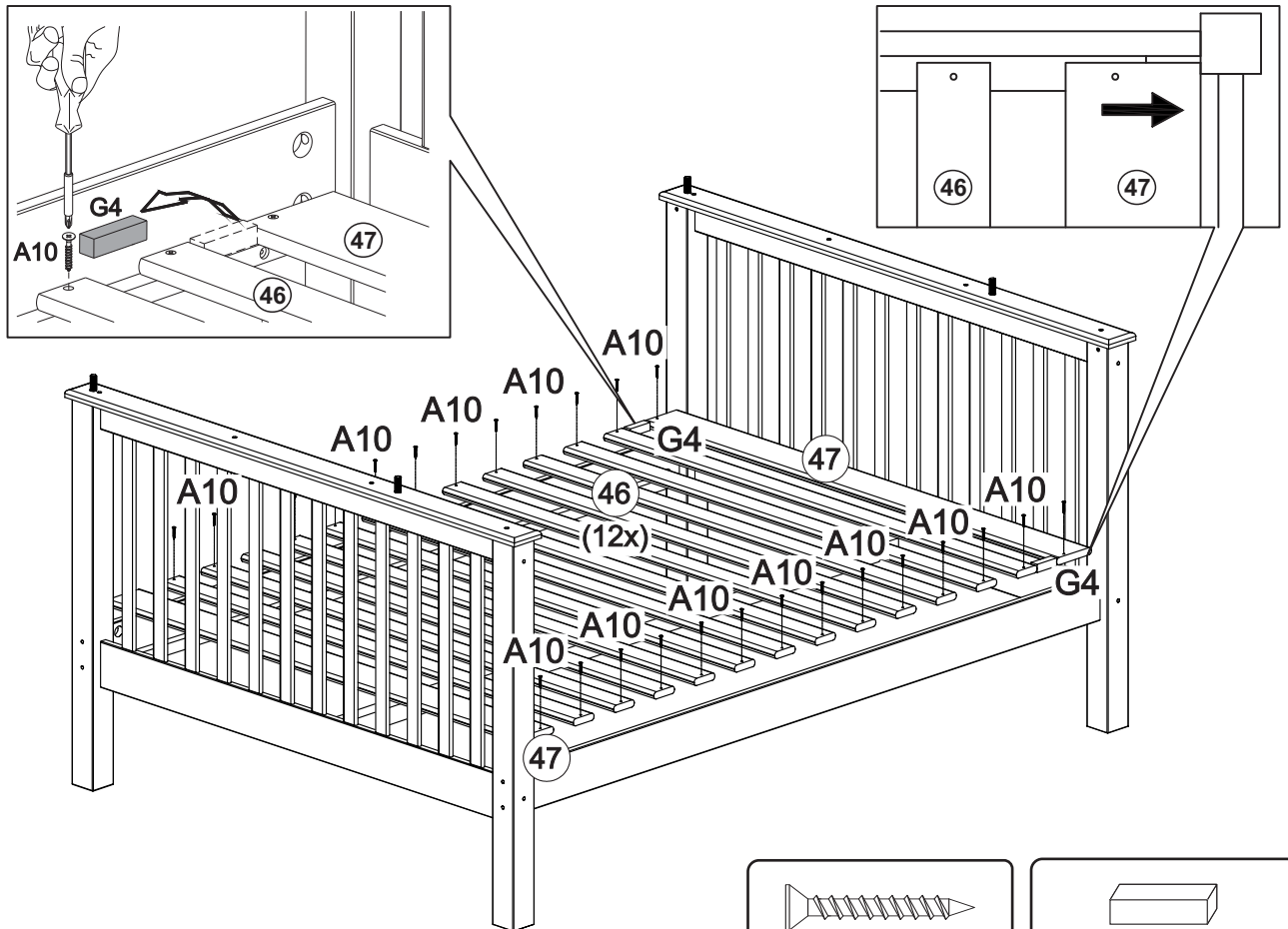
# 04



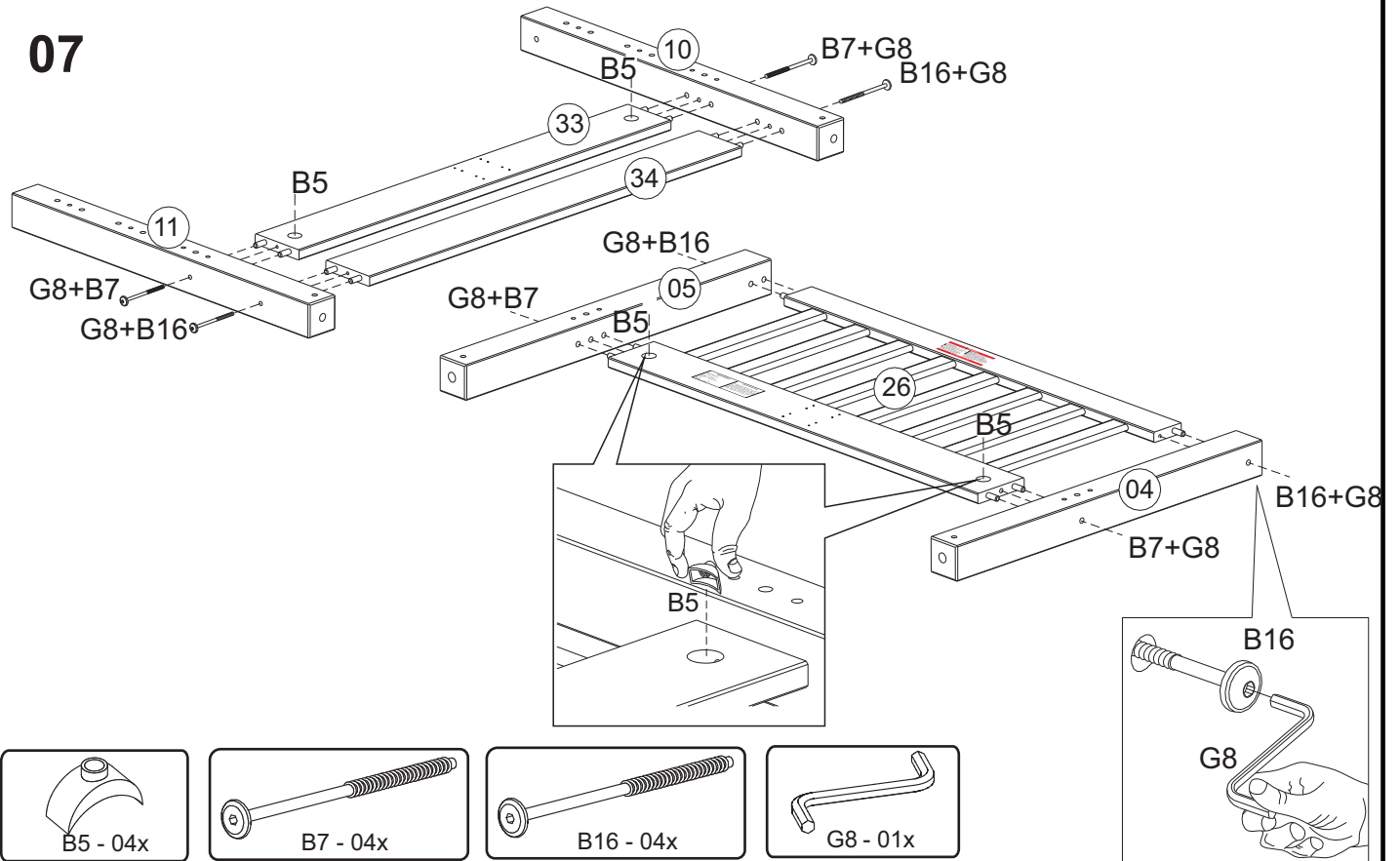
05



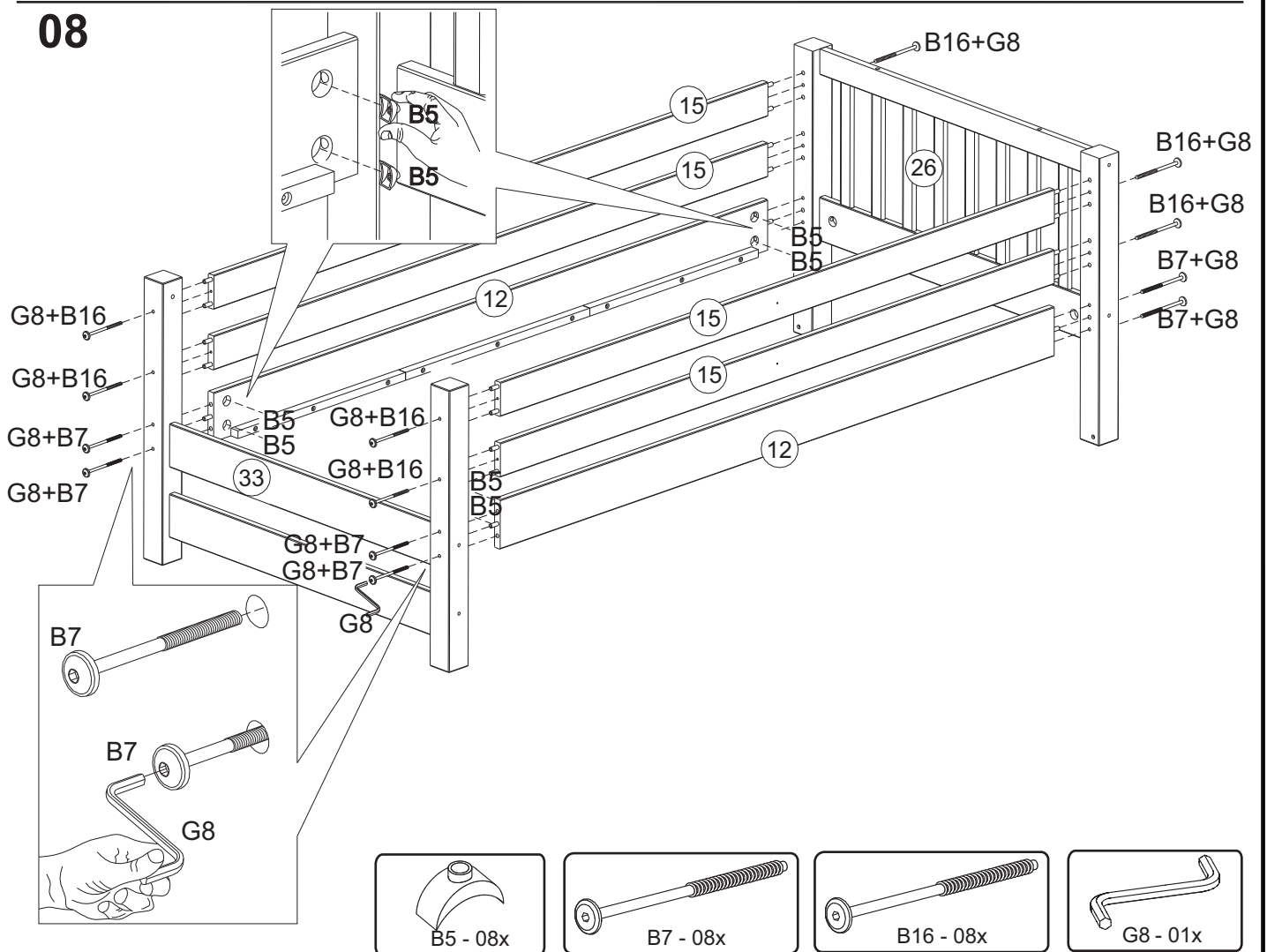
06



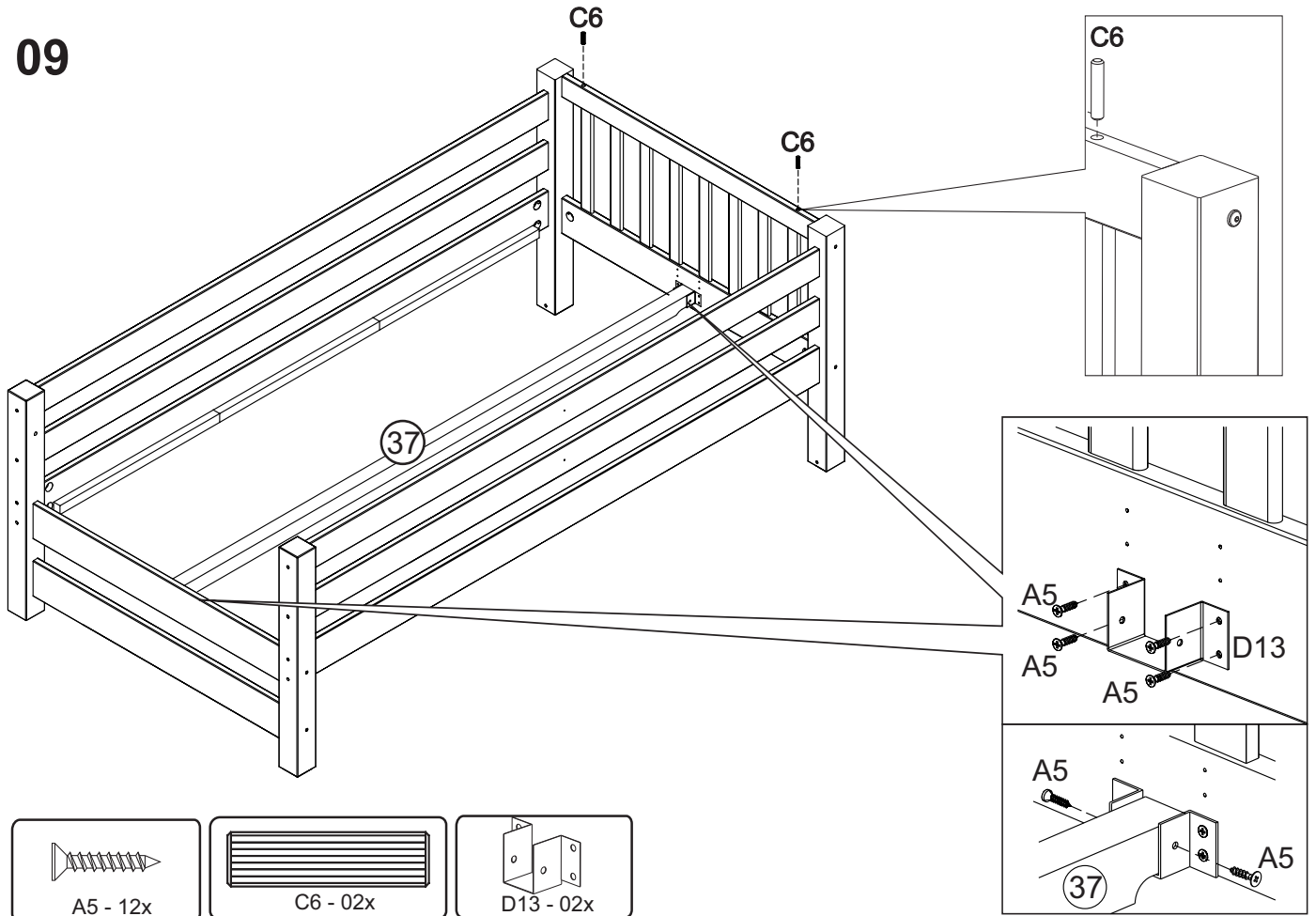
07



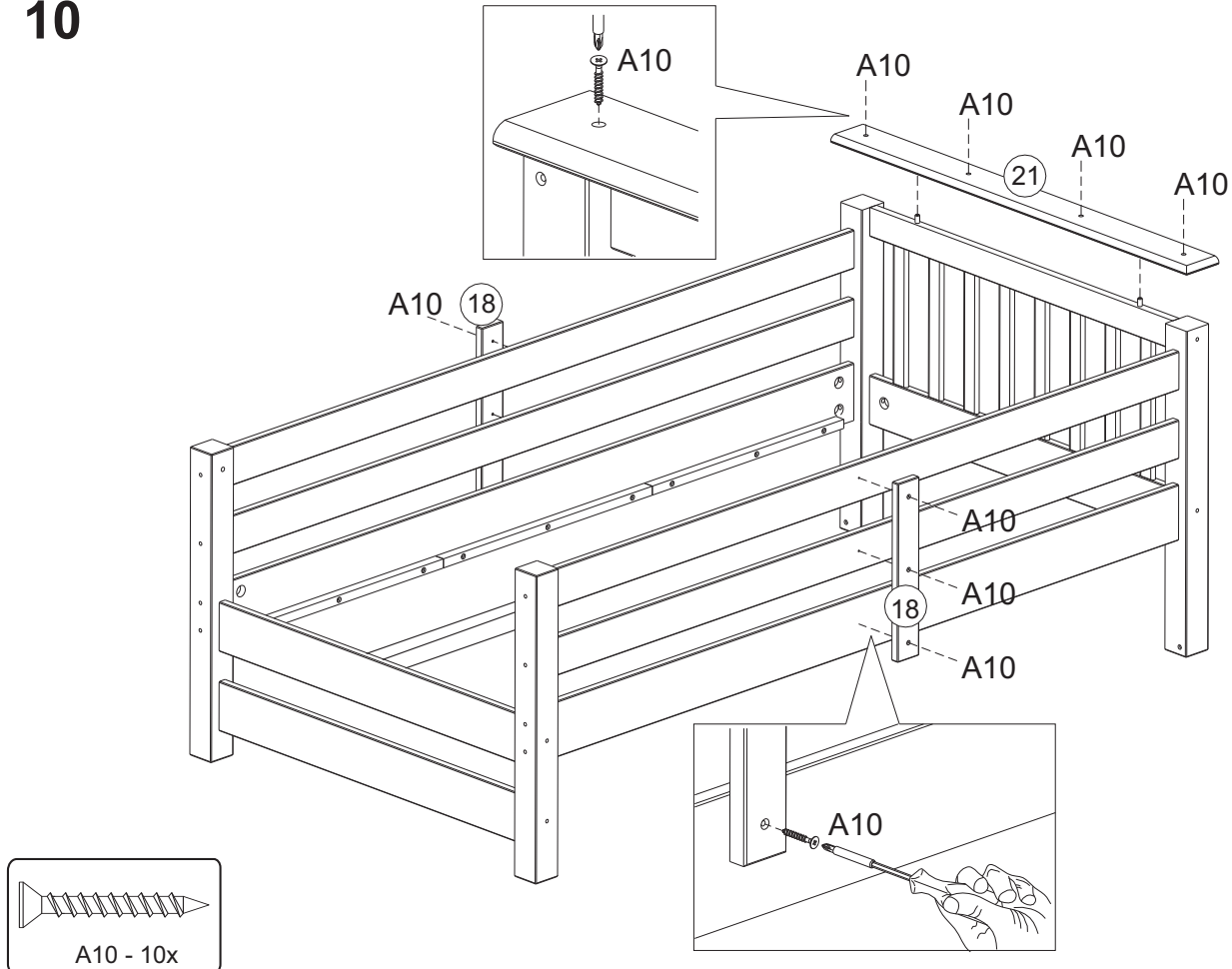
08



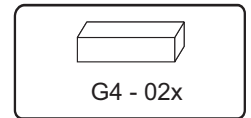
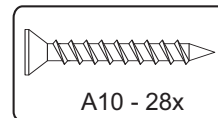
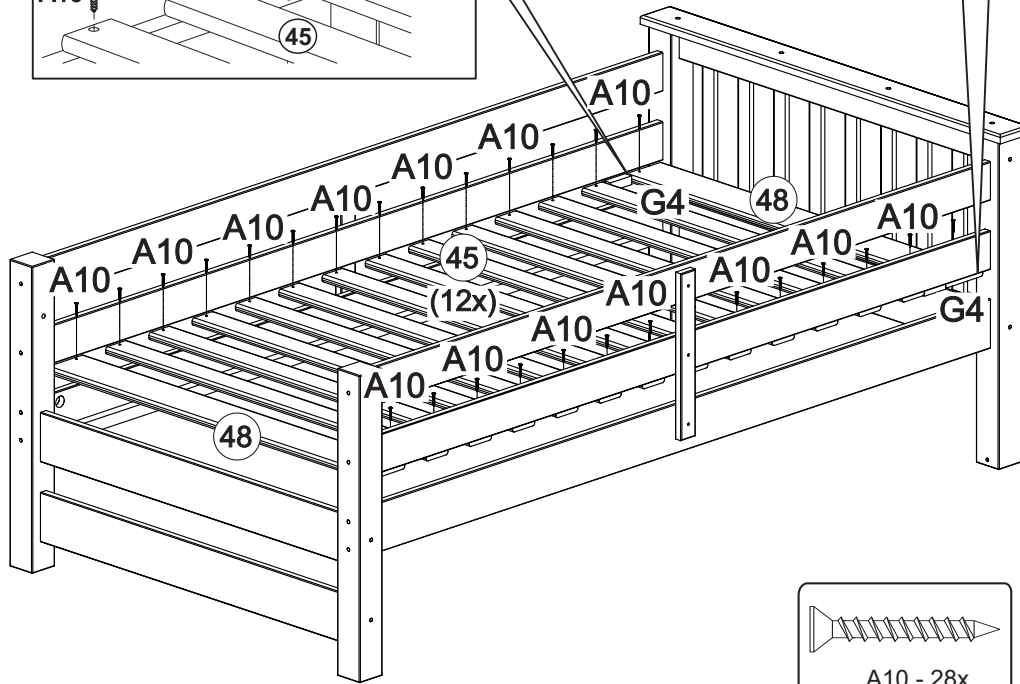
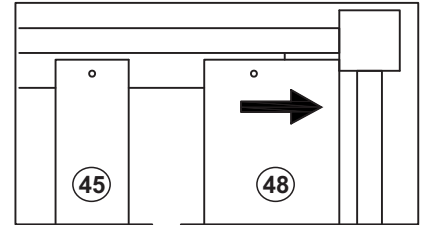
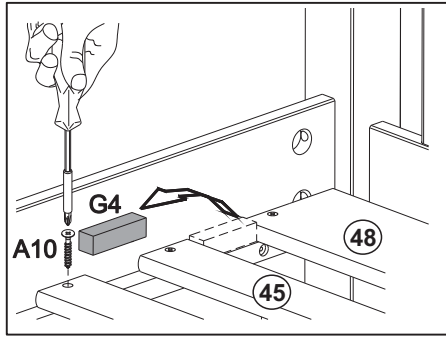
09



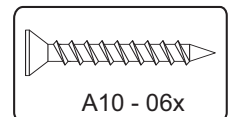
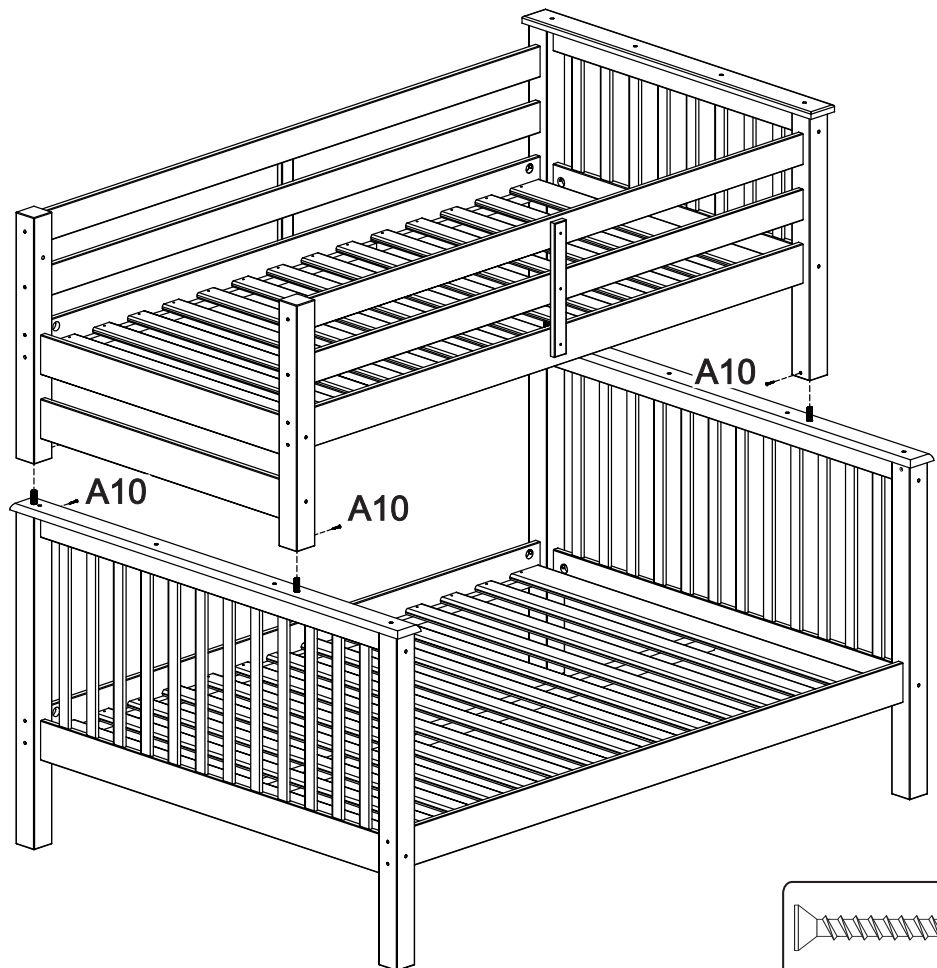
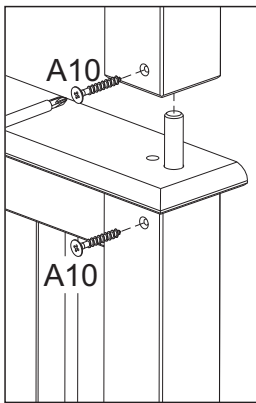
10



11

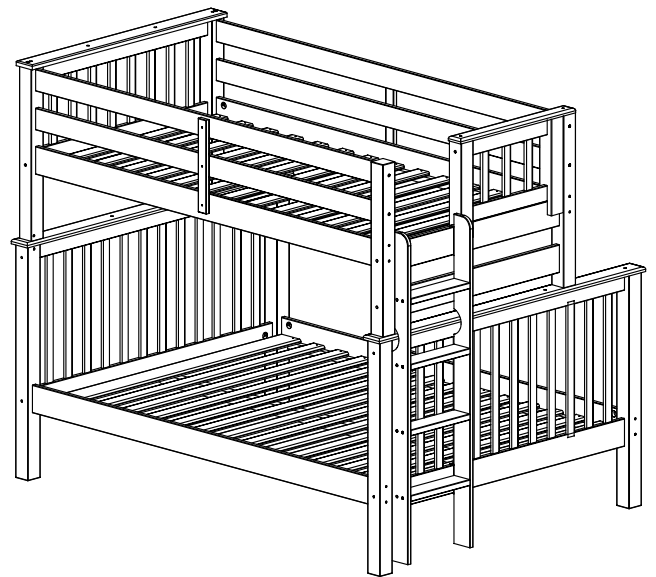
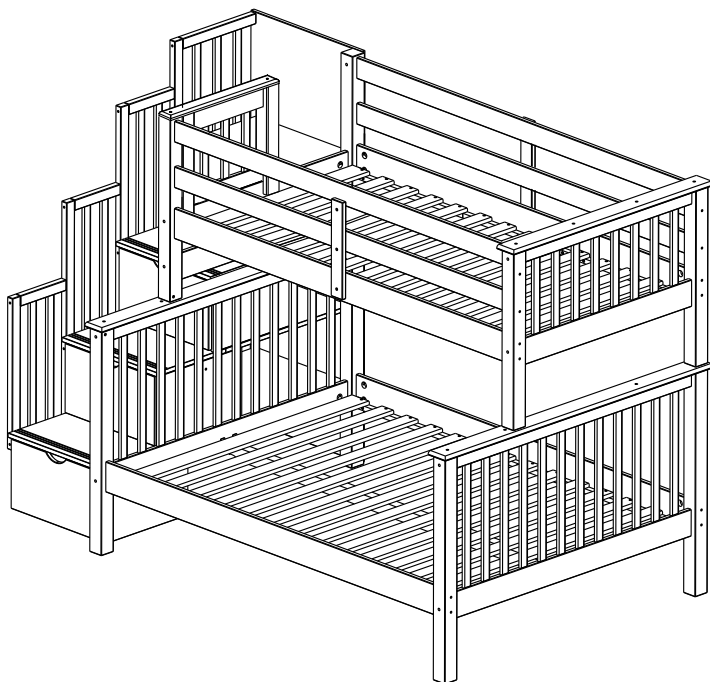
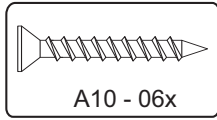
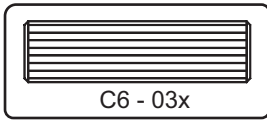
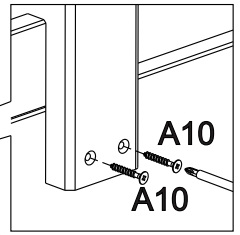
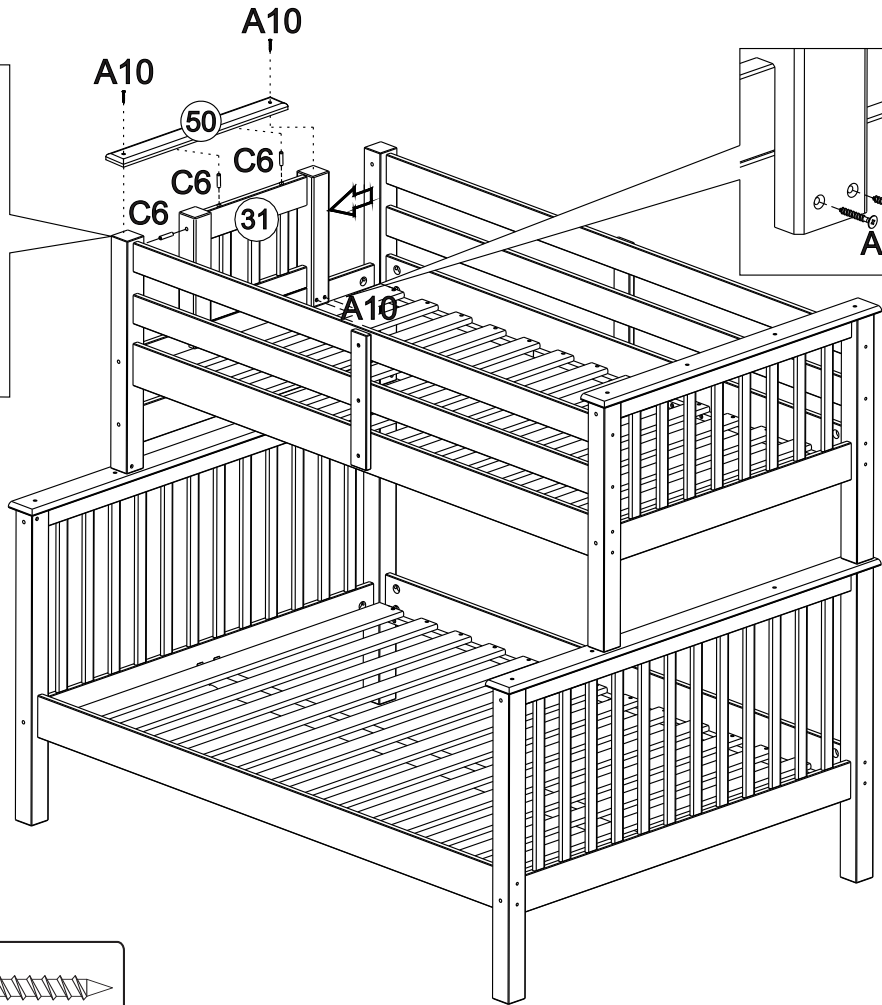
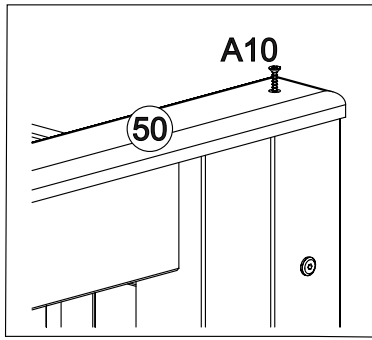


12



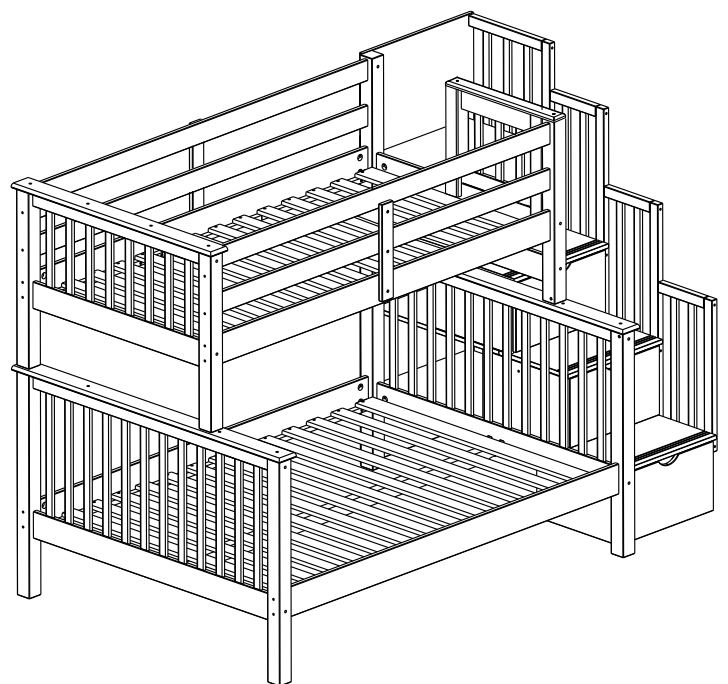
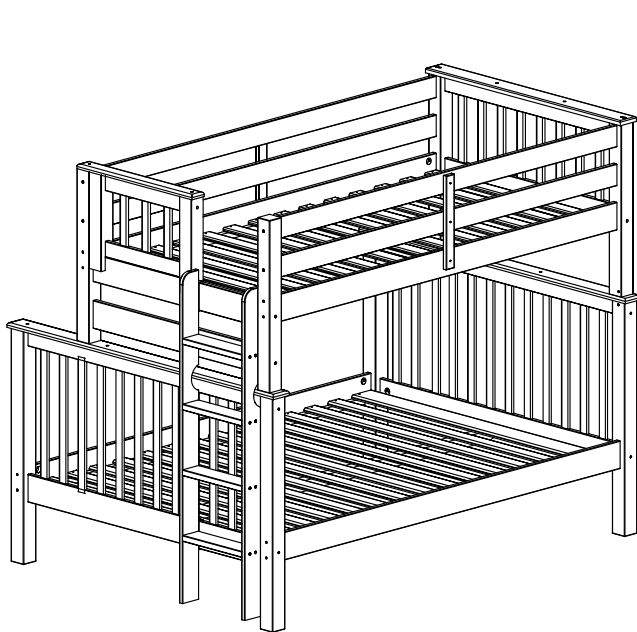
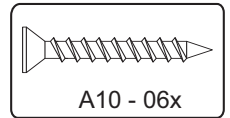
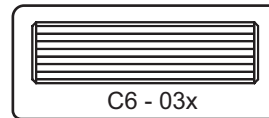
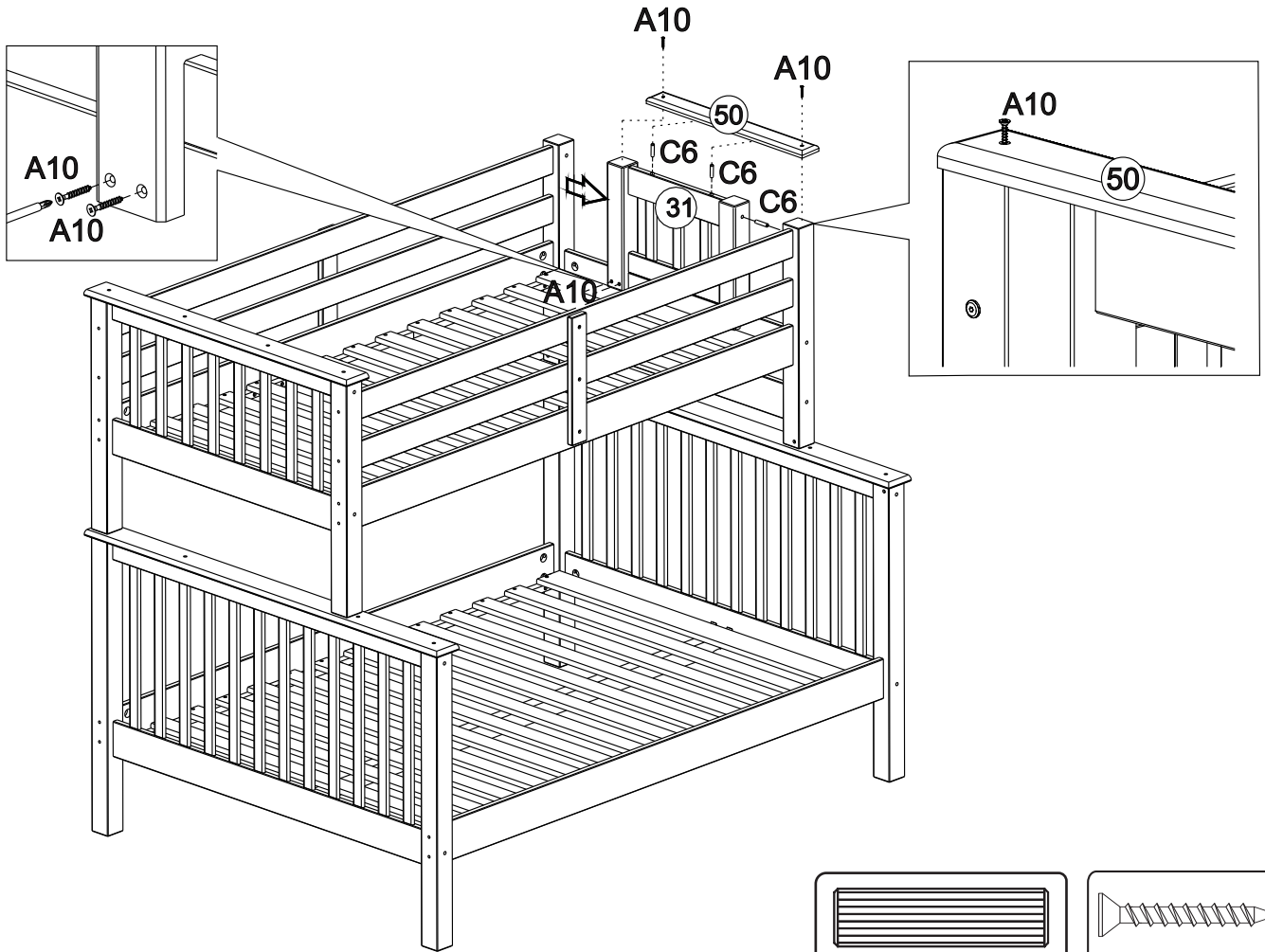
13

Option: LEFT



14

Option: RIGHT



## **BEDDING SPECIFICATION**

- Always use the recommended size mattress or mattress support or both, to help prevent the likelihood of entrapment or falls.
- All Bedz King bunk beds are supplied with a complete slat kit, so there is no need for a foundation or bunkie board.

## **BED MATTRESS SPECIFICATIONS**

Upper Bunk: Only use a mattress that is 74" - 75" long and 37 1/2" - 38 1/2" wide on the upper bunk.

- Ensure thickness of mattress and foundation combined does not exceed 9".

Lower Bunk: Only use a mattress that is 74" - 75" long and 52 1/2" - 53 1/2" wide on the lower bunk.

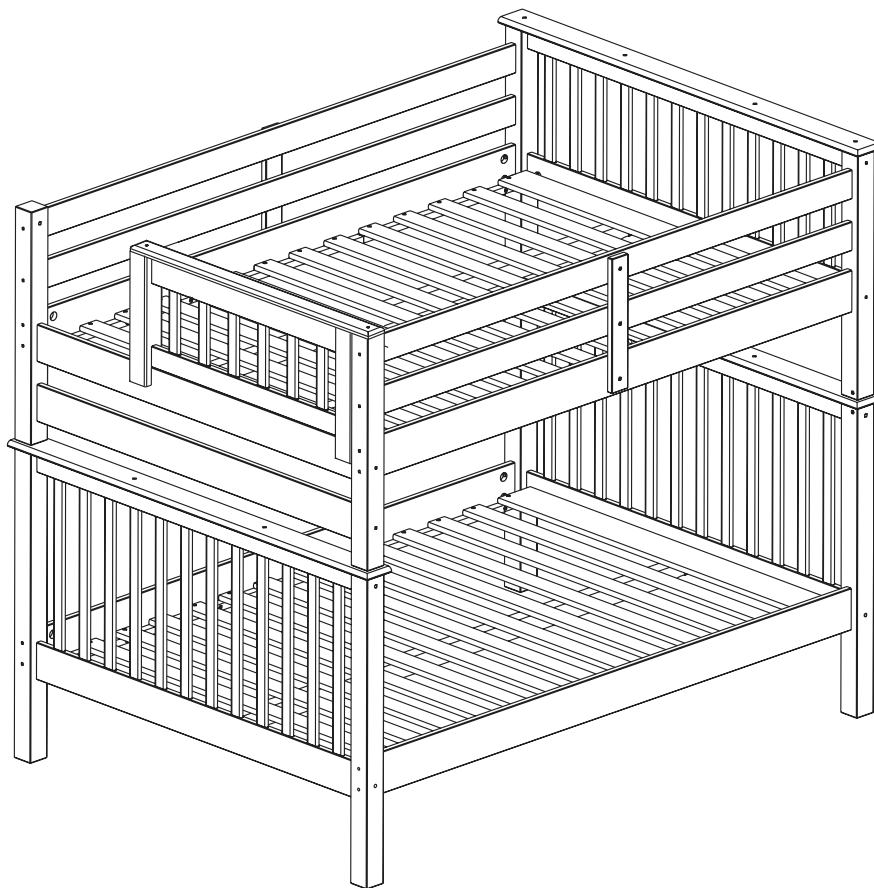
## **REPLACEMENT PARTS**

- Replacement parts, including additional guardrails may be obtained by contacting Bedz King
- Guard rails are not available for the lower bunk. This bunk bed is not designed or certified to have guard rails installed on the lower bunk.

## **ASSEMBLY TIPS**

- Power tools are not recommended for assembling your furniture.
- Give yourself plenty of room to work.
- Due to the size of this bunkbed, it must be assembled within the space it will occupy.
- The assembly will require at least two people to complete.
- Make sure all the fasteners are tight.
- Take your time and read the instructions carefully.

# FULL OVER FULL END LADDER BUNK BED



**READ THESE INSTRUCTIONS CAREFULLY BEFORE  
ATTEMPTING TO ASSEMBLE THIS BED**

**SAFETY WARNINGS AND GENERAL NOTES**

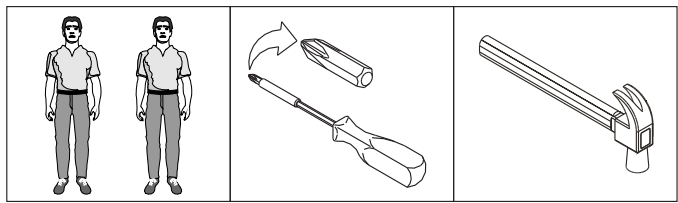
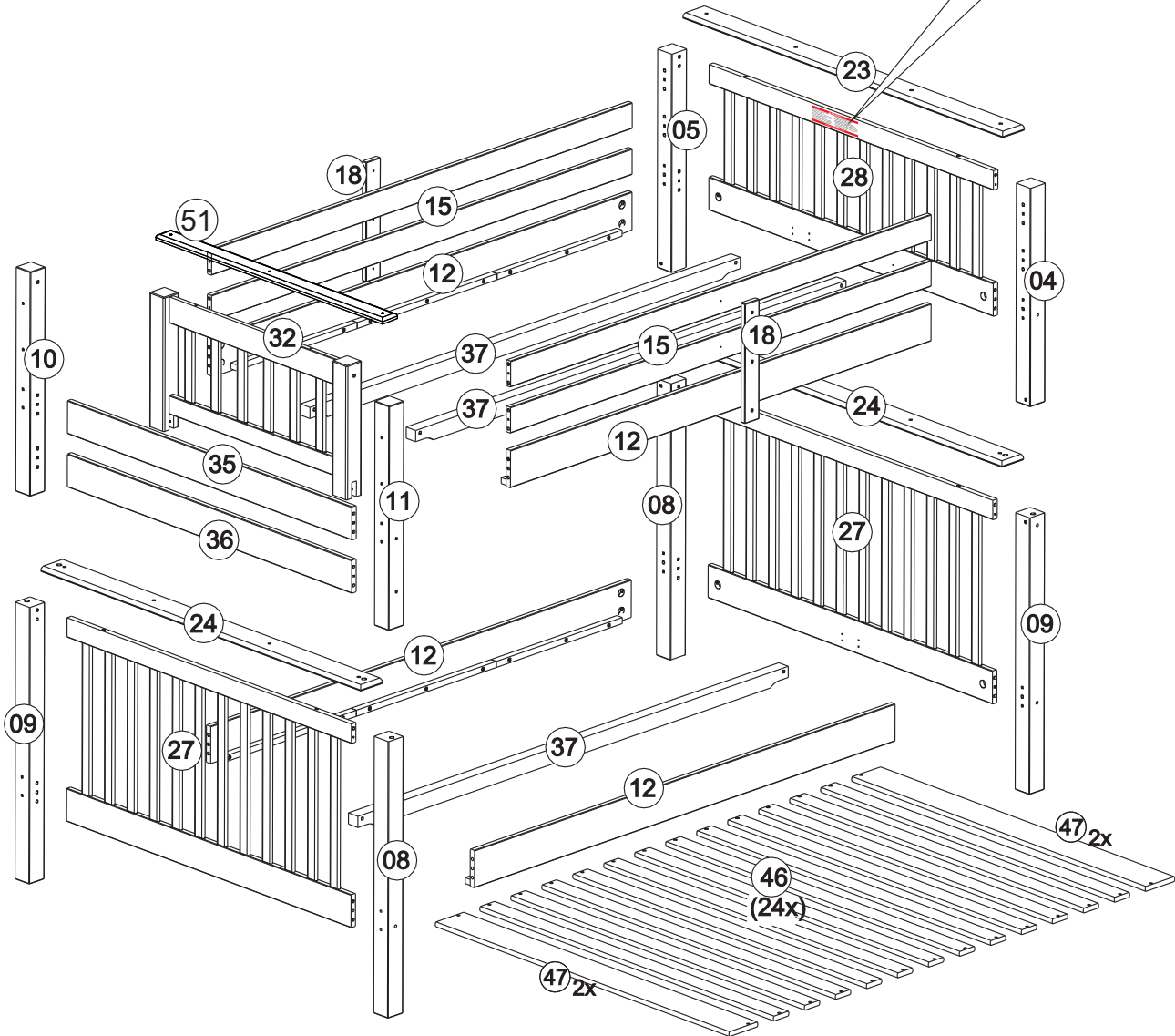
- ✓ Follow the information on the warning labels on the upper bunk bed structure and on the carton. Do not remove warning label from the bed.
- ✓ Always use the recommended size mattress or mattress support, or both, to help prevent the likelihood of entrapment or falls.
- ✓ The top surfaces of the mattress must be at least 5" below the upper edge of the guardrails.
- ✓ **Do not** allow children under 6 years of age to use the upper bunk.
- ✓ **Prohibit** more than one person on the upper bunk.
- ✓ Periodically check and ensure that the guardrails, ladder and other components are in their proper position, free from damage, and that all connectors are tight.
- ✓ **Do not** allow horseplay on or under the bed. Always prohibit jumping on the bed.
- ✓ Always use the ladder for entering and leaving the upper bunk.
- ✓ **Do not** use substitute parts. Contact the manufacturer or dealer for replacement parts.
- ✓ Use of a night-light may provide added safety for a child using the upper bunk.
- ✓ If the bunk bed will be placed next to the wall, the guardrail that runs the full length of the bed should be placed against the wall to prevent entrapment between the bed and the wall.
- ✓ Always use guardrails on both long sides of the upper bunk.
- ✓ The use of a water or sleep floatation mattress is prohibited.
- ✓ Keep these instructions for future reference.
- ✓ We recommend assembling your bunk bed on the shipping carton to protect your floor or carpet. Be certain all staples are out of the box before beginning assembly on the shipping carton.
- ✓ **Strangulation Hazard** Never attach or hang items to any part of the bunk bed that are not designed for use with the bed for example, but not limited to hooks, belts, and jump ropes.

**WARNING**

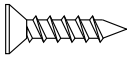
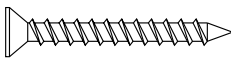

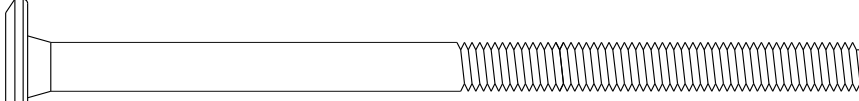
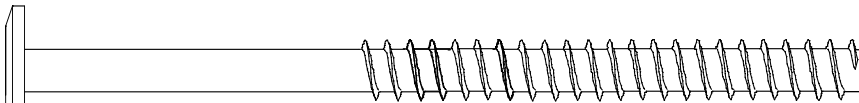
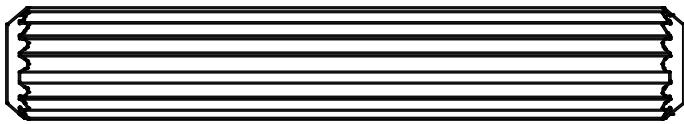
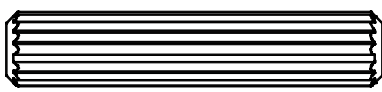
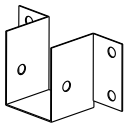

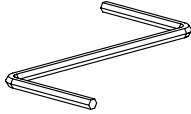
To help prevent serious or fatal injuries from entrapment or falls:

- Never allow a child under 6 years on upper bunk.
- Use only mattress which is 74" - 75" long and 52 1/2" - 53 1/2" wide on upper bunk.
- Use only mattress which is 74" - 75" long and 52 1/2" - 53 1/2" wide on lower bunk.
- Ensure thickness of mattress and foundation combined does not exceed 9" and mattress is at least 2" below upper edge of guardrail.
- Use guardrails on both sides of upper bunk.
- Prohibit horseplay on or under bed (s).
- Prohibit more than one person on upper bunk.
- Use ladder for entering and leaving upper bunk.
- STRANGULATION HAZARD - Never attach or hang items to any part of the bunk bed that are not designed for use with the bed, for example, but not limited to hooks, bats and jump ropes.

**DO NOT REMOVE THIS LABEL.**



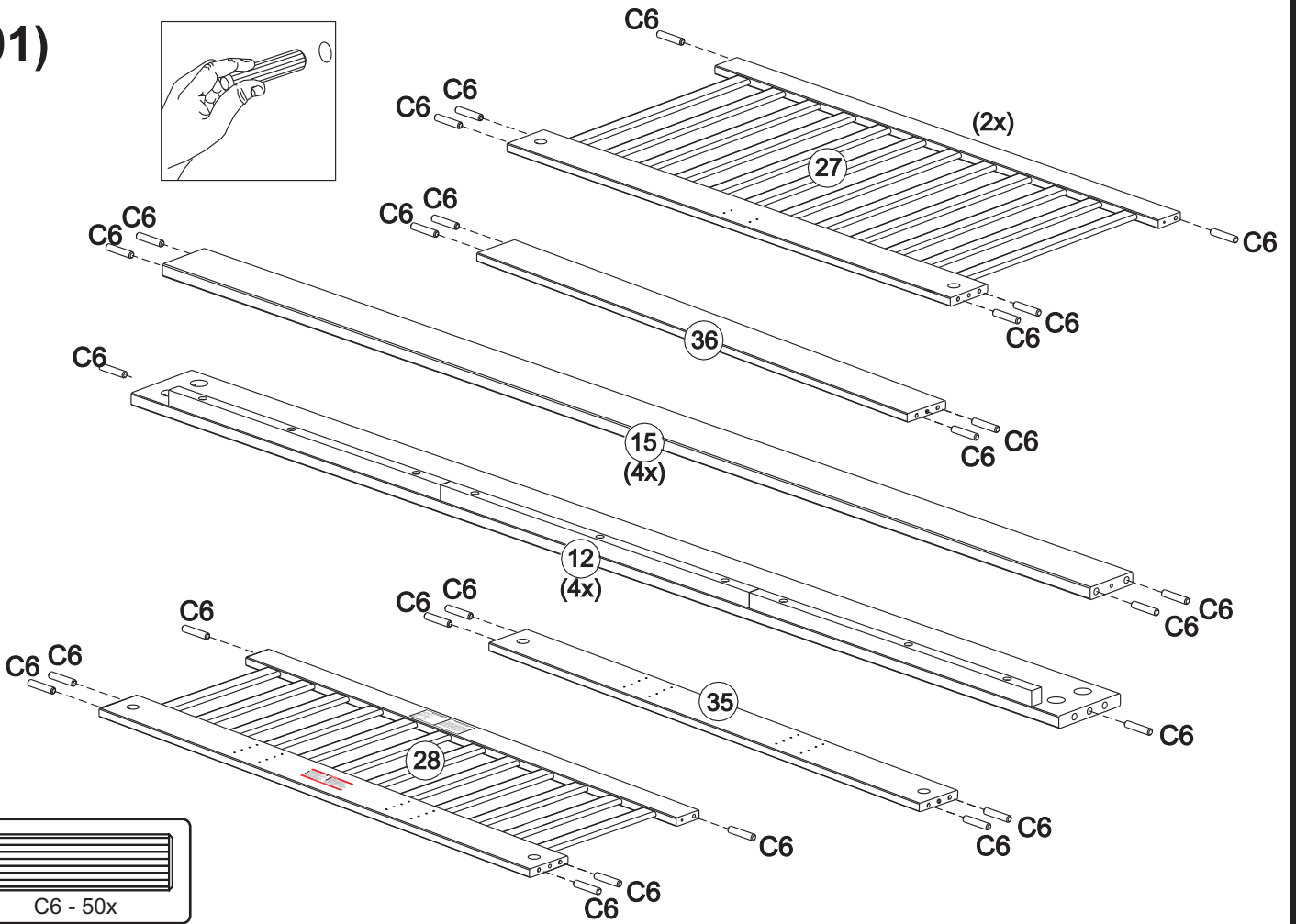
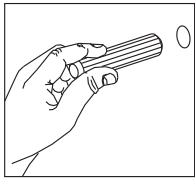
SCREWS ARE SHOWN IN ACTUAL SIZE

|     |  | Qty. | Extra |
|-----|--|------|-------|
| A5  | <br>3,5x16        | 36   |       |
| A10 | <br>3,5x30        | 89   |       |
| B5  | <br>1/4"          | 24   | +2    |
| B7  | <br>1/4"x110     | 24   | +2    |
| B16 | <br>7,0x110      | 16   | +2    |
| C5  | <br>15x90        | 4    |       |
| C6  | <br>10x50       | 55   | +2    |
| D13 |                 | 6    |       |
| G4  | <br>space block | 2    |       |
| G8  |                 | 1    |       |

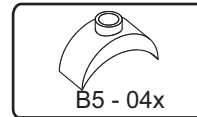
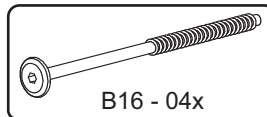
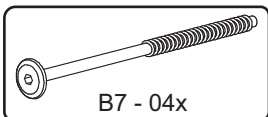
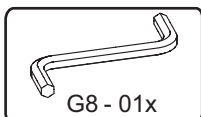
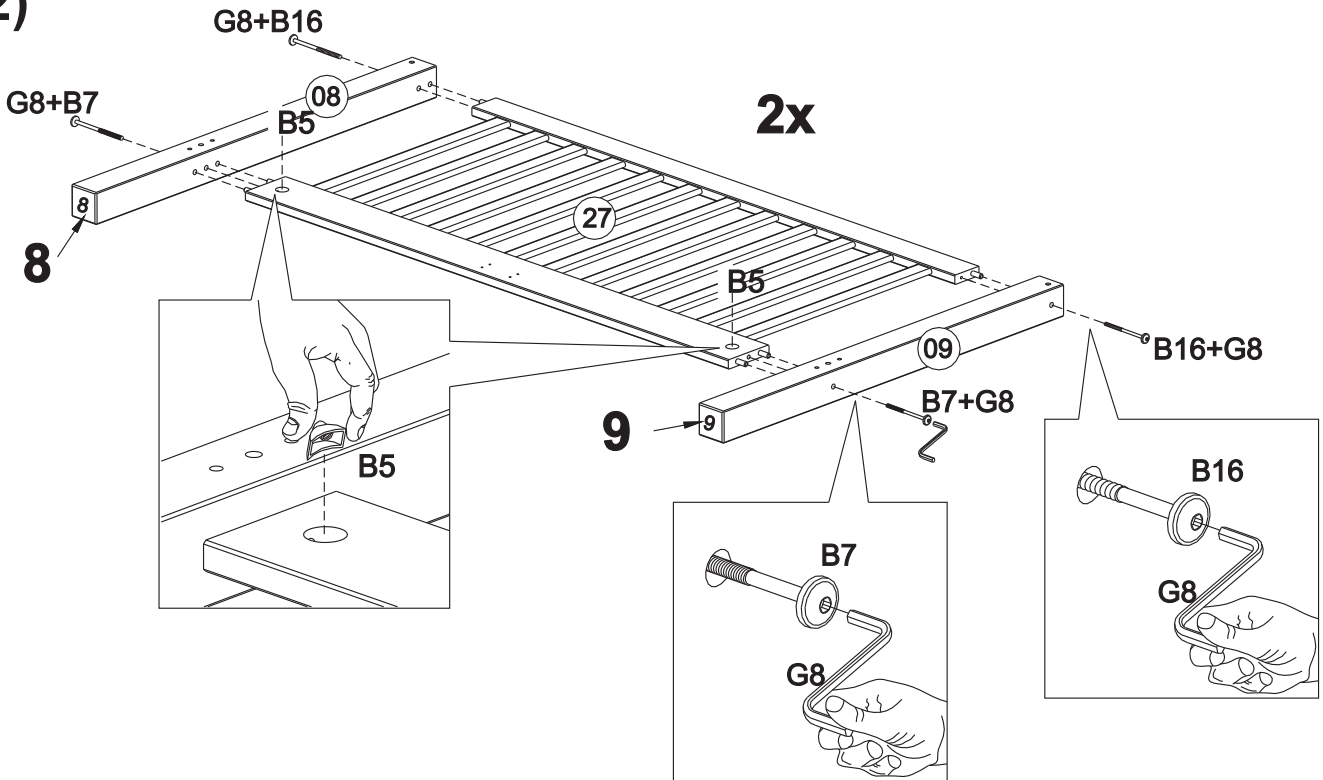
**WARNING - CHOKING HAZARD**

**To be Assembled by Adults only!  
Small parts can be a choking hazard for children**

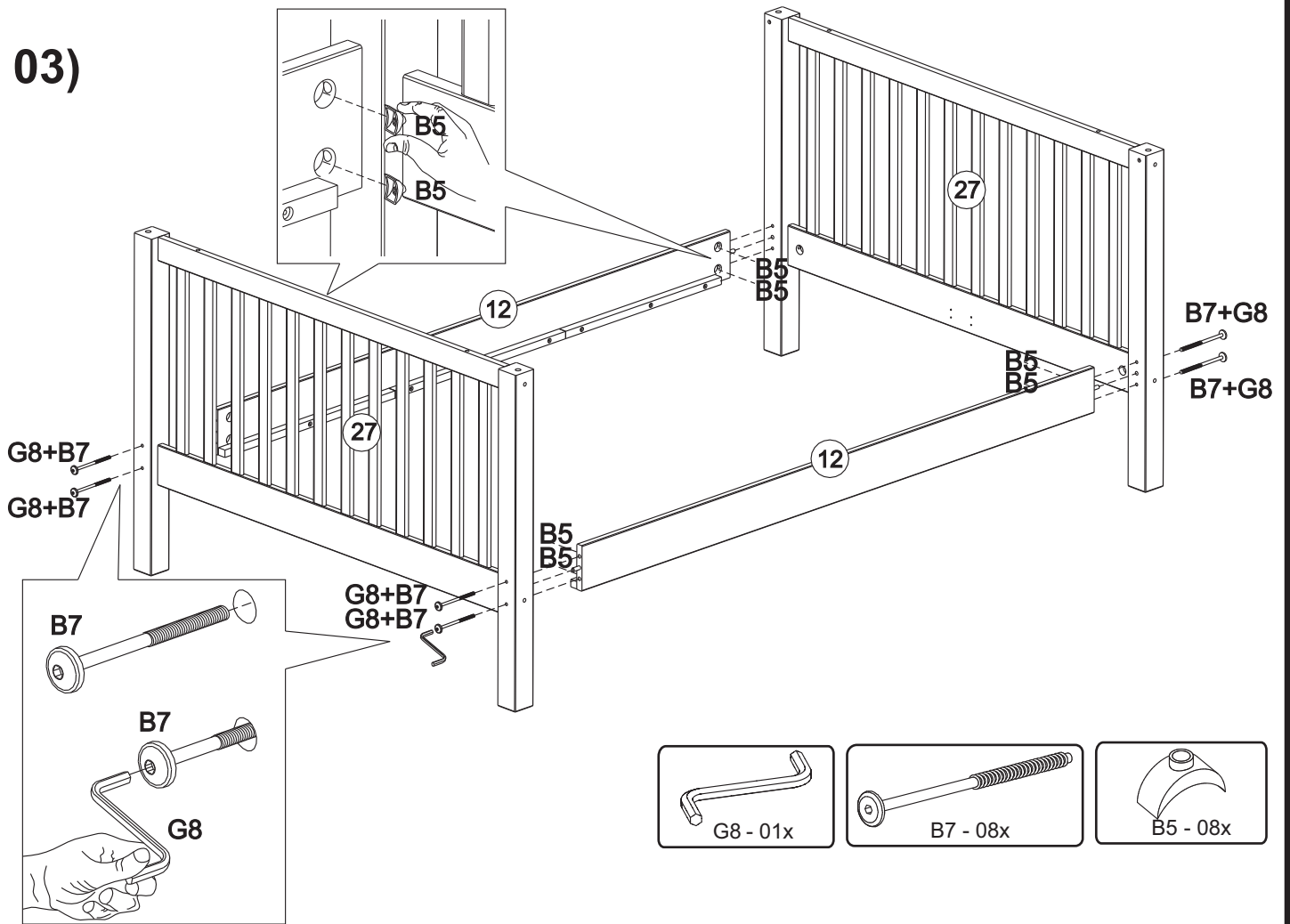
01)



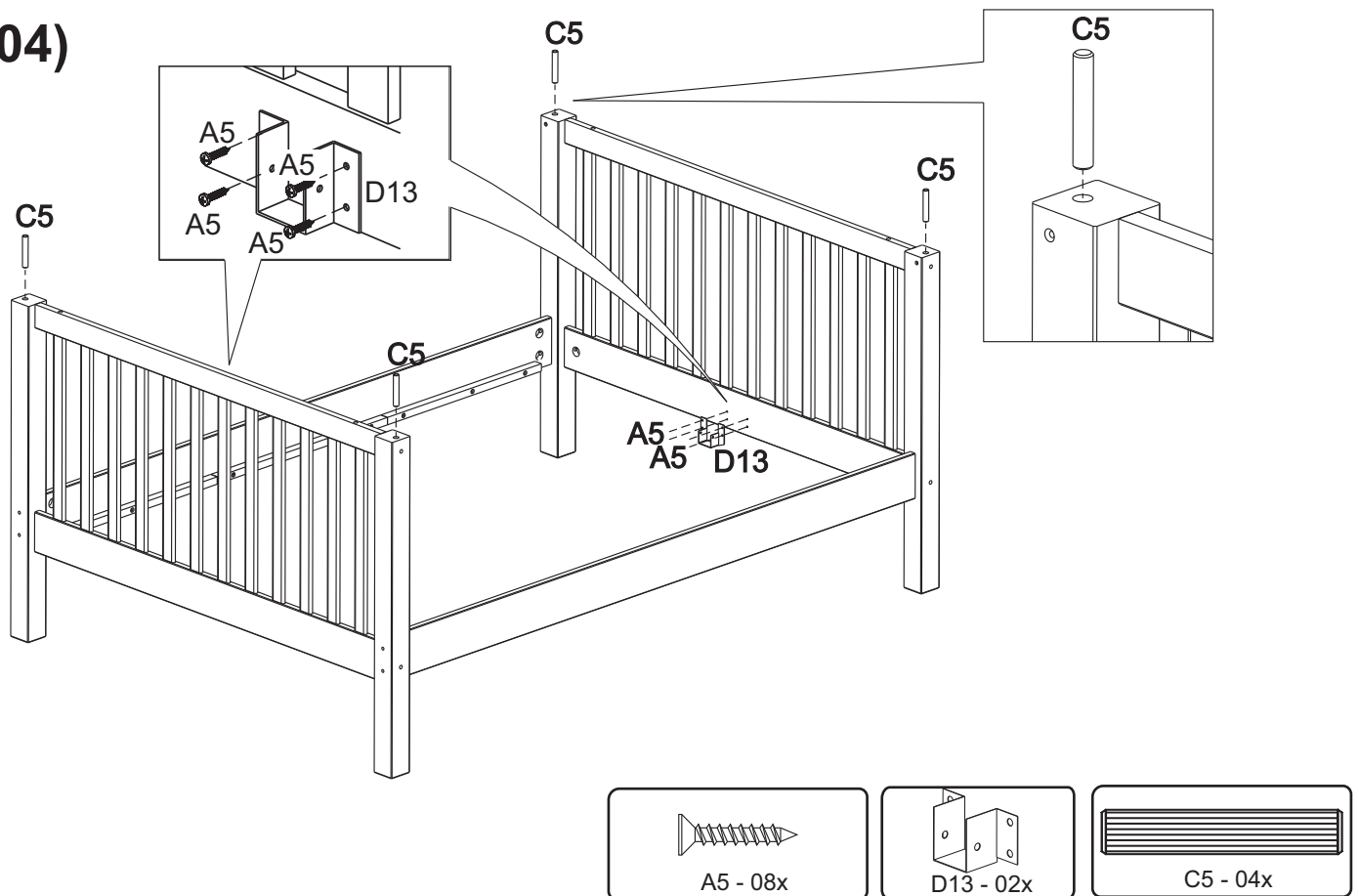
02)



03)

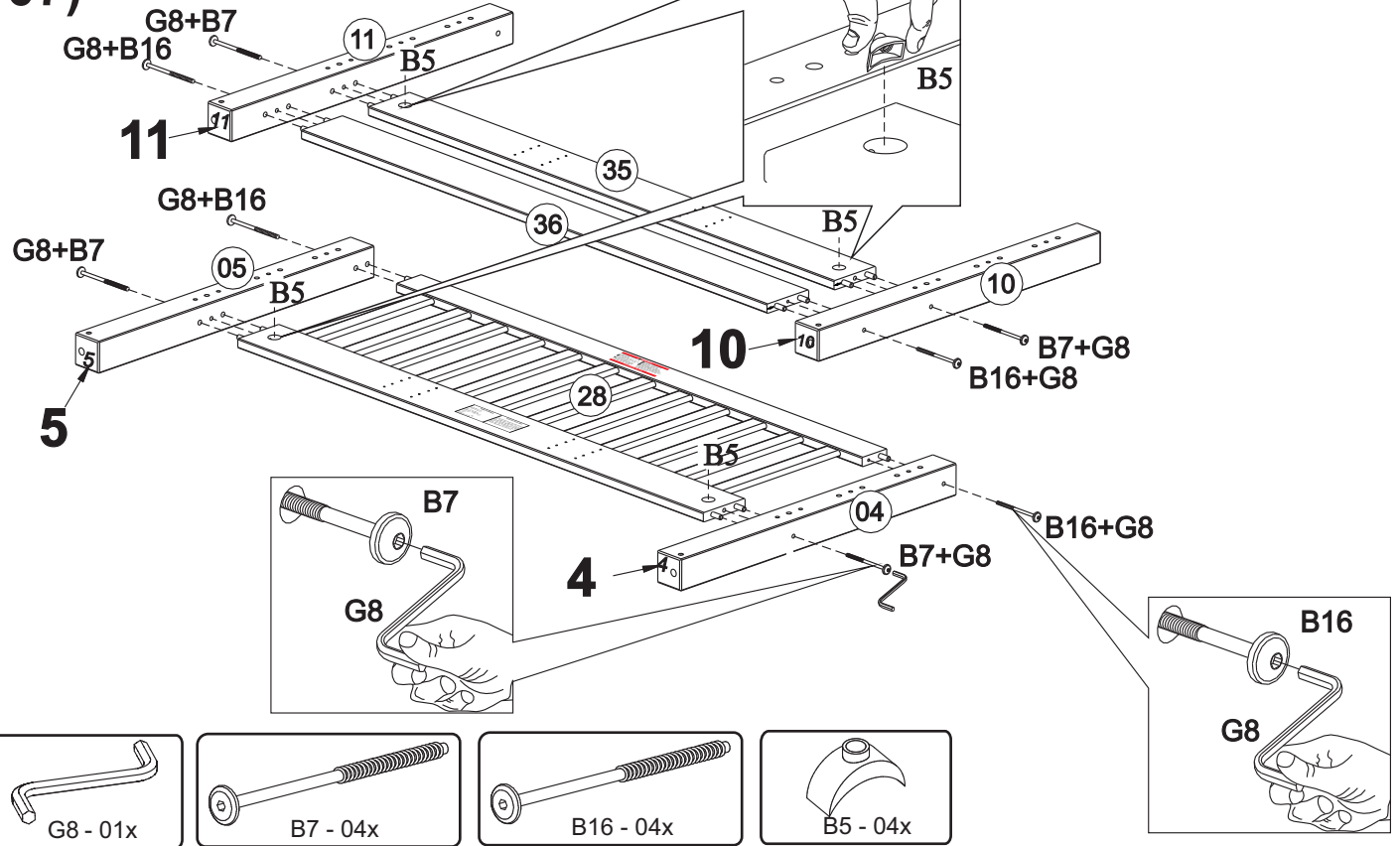


04)

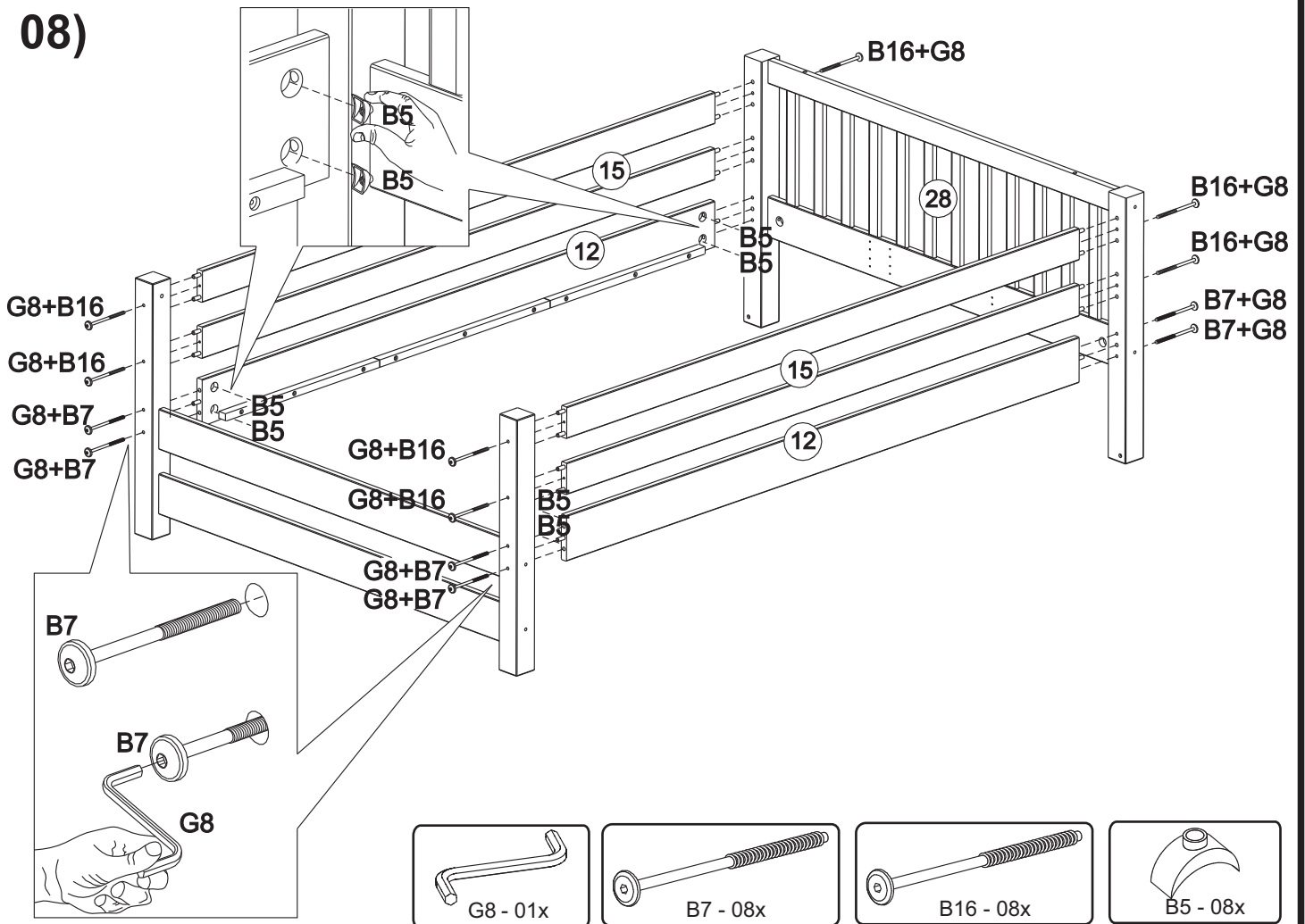




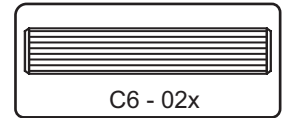
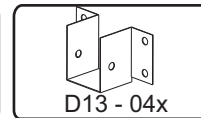
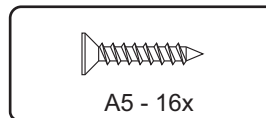
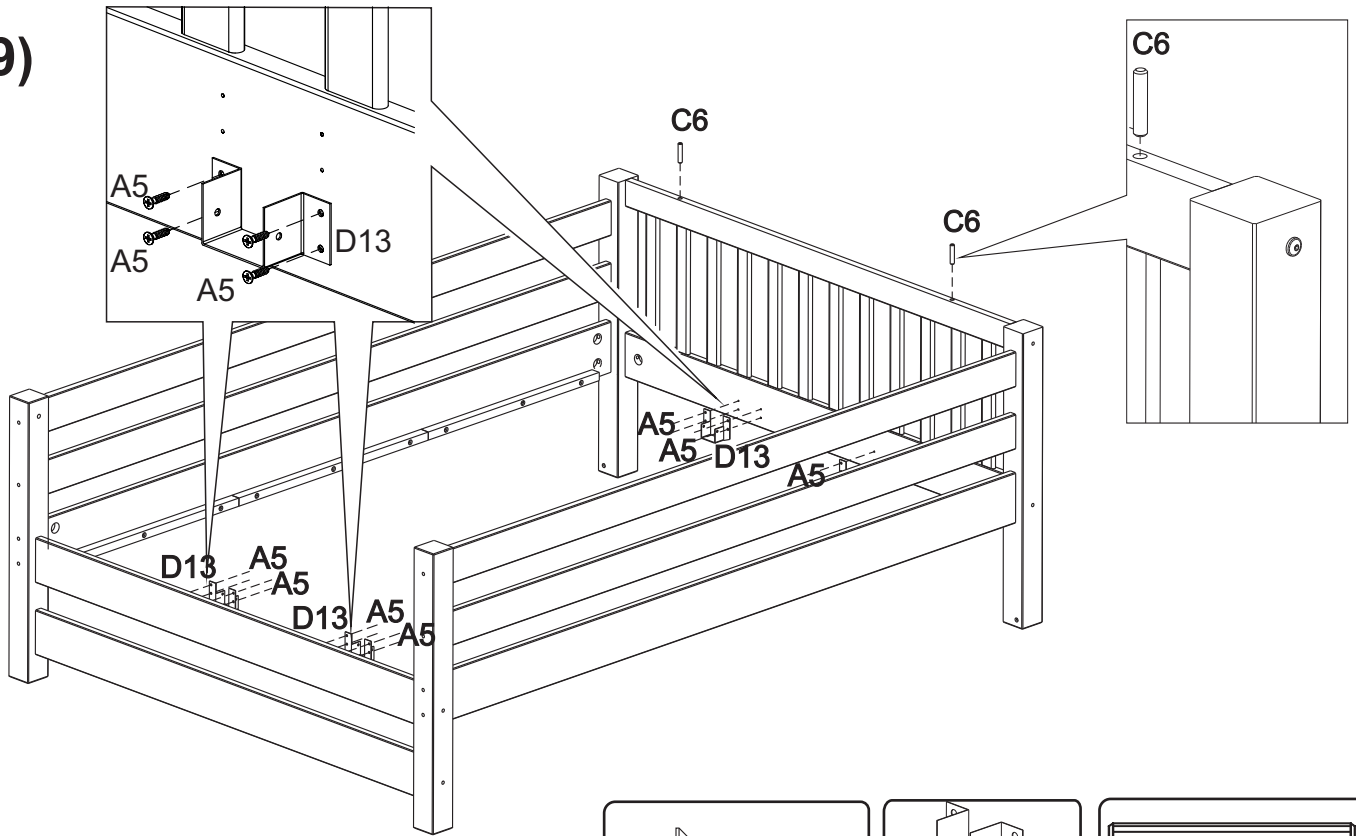
07)



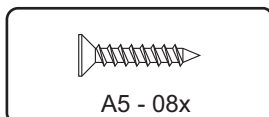
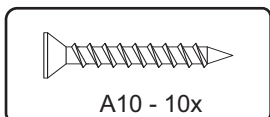
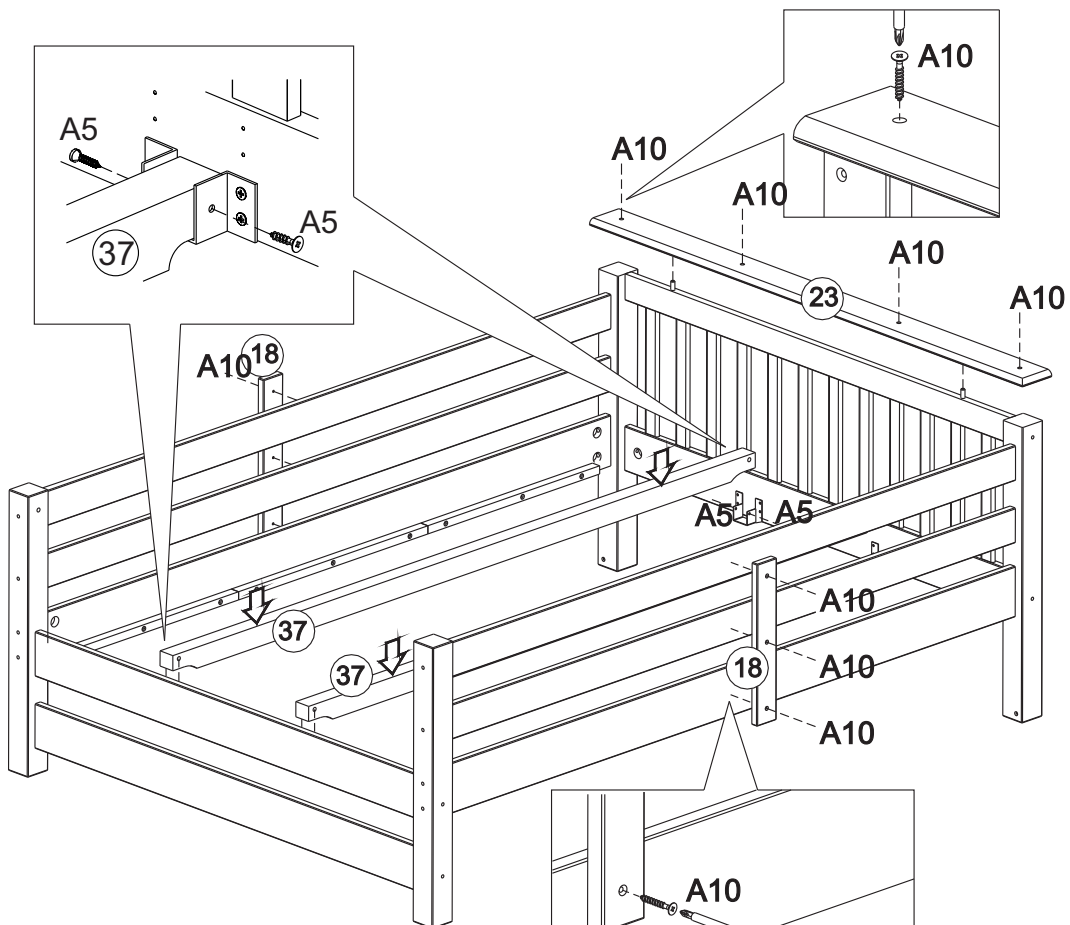
08)



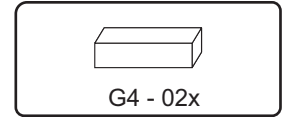
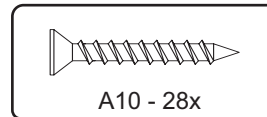
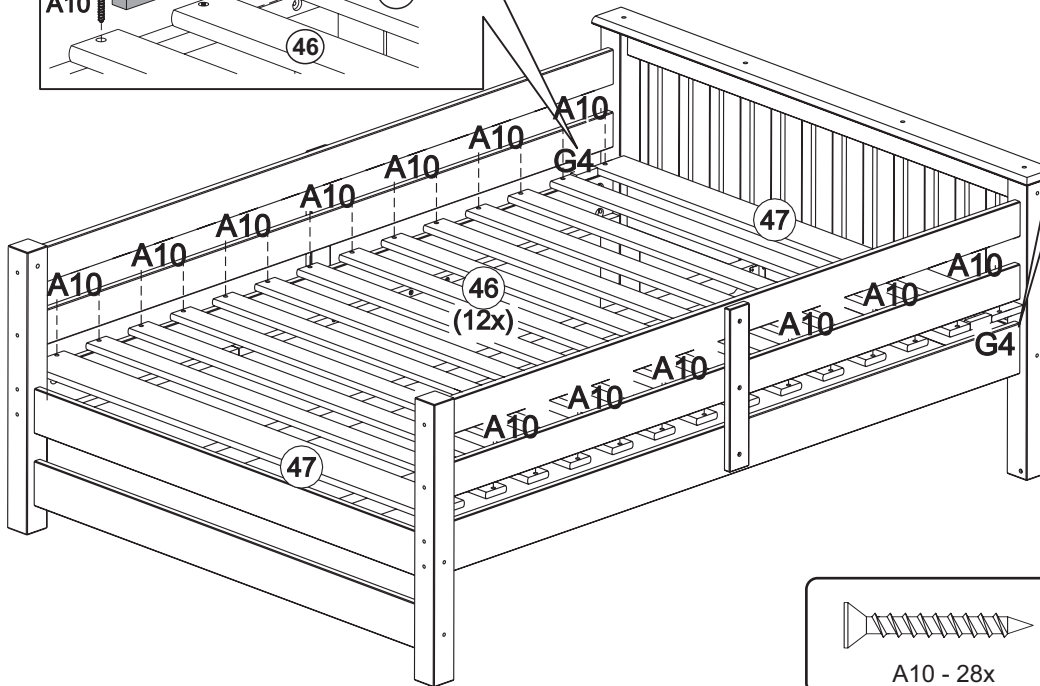
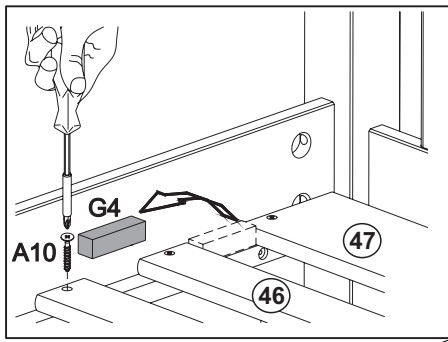
09)



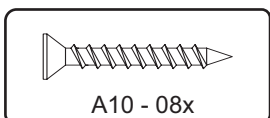
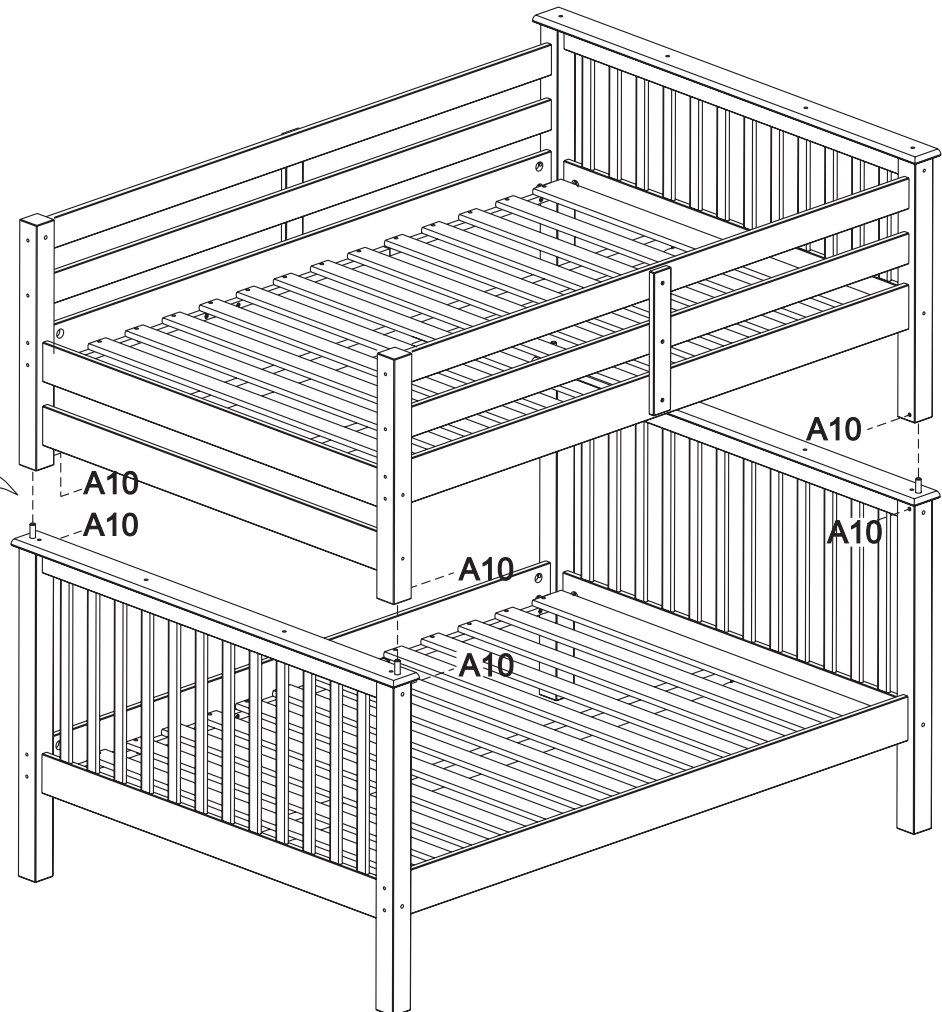
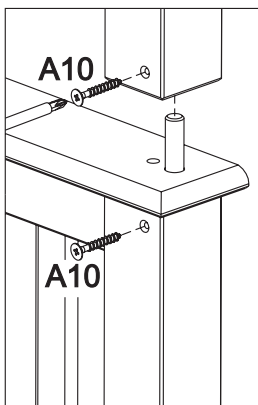
10)



11)

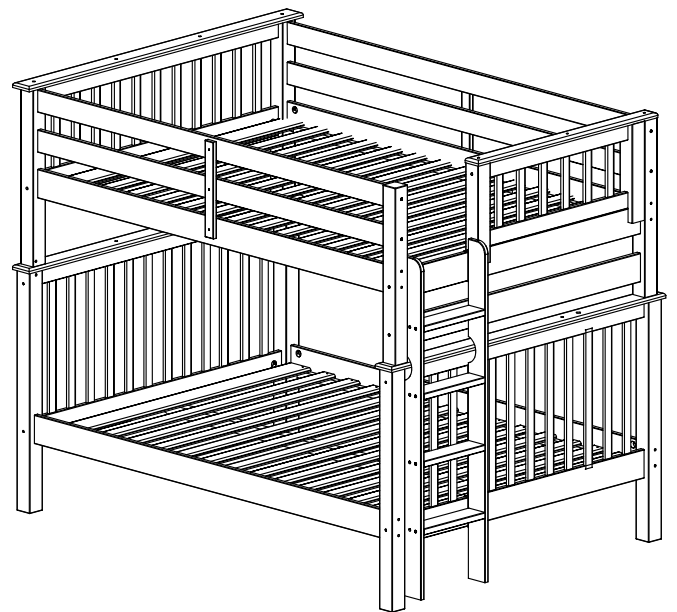
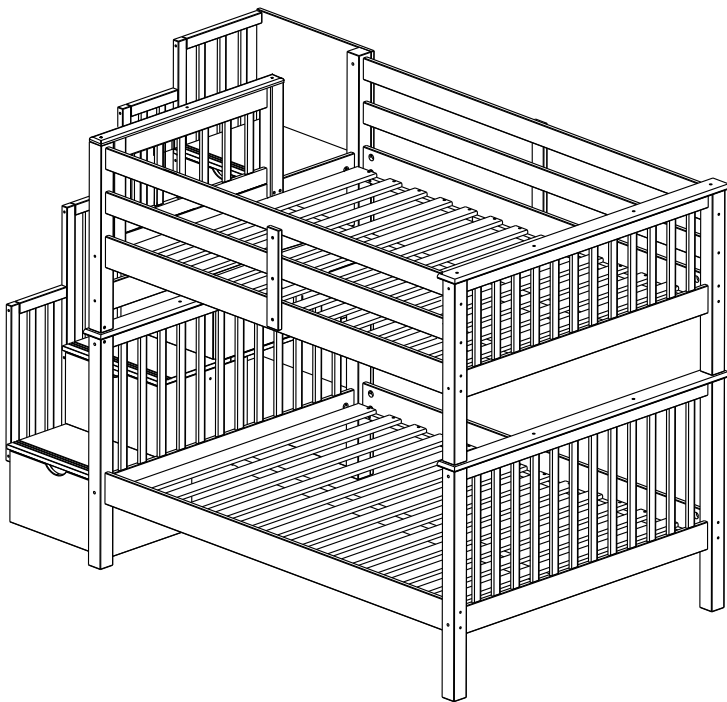
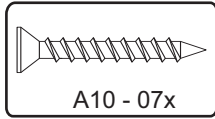
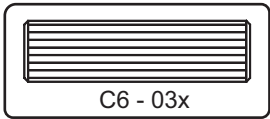
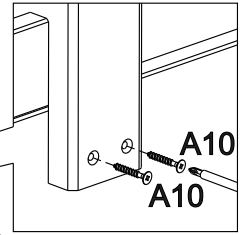
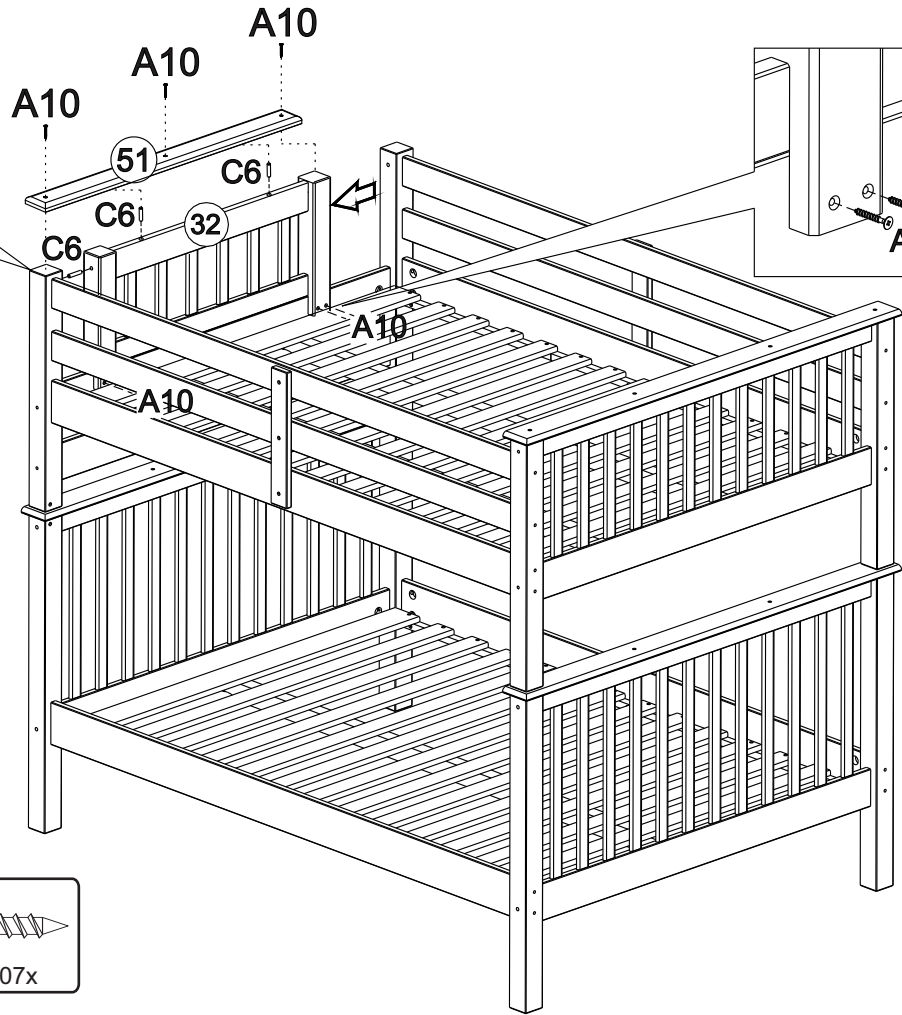
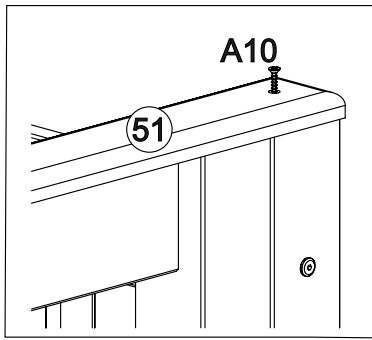


12)



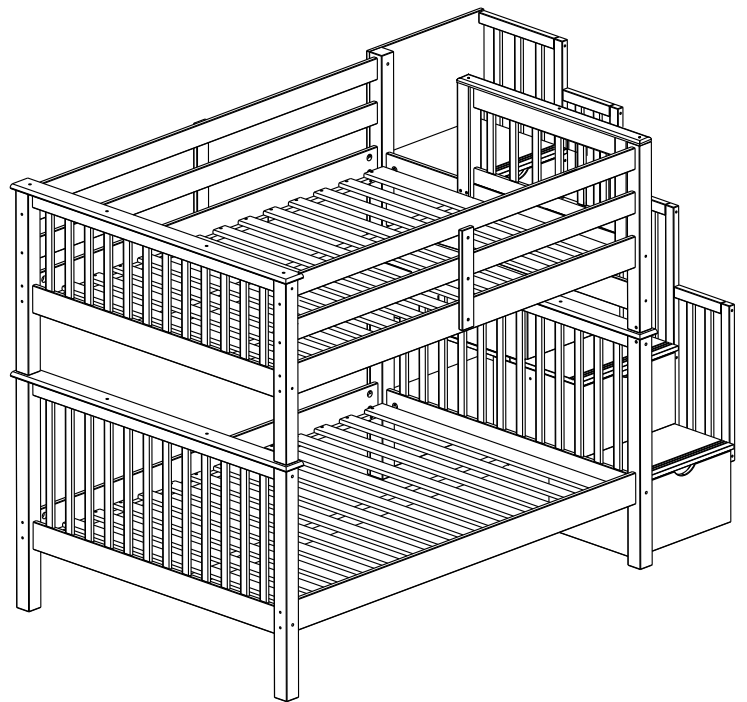
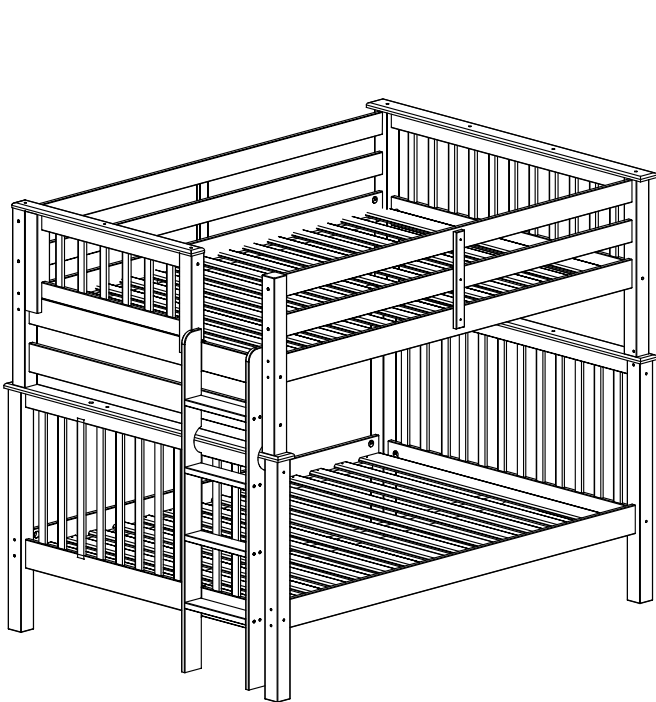
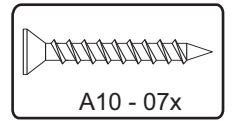
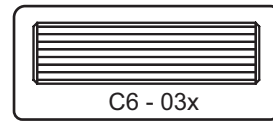
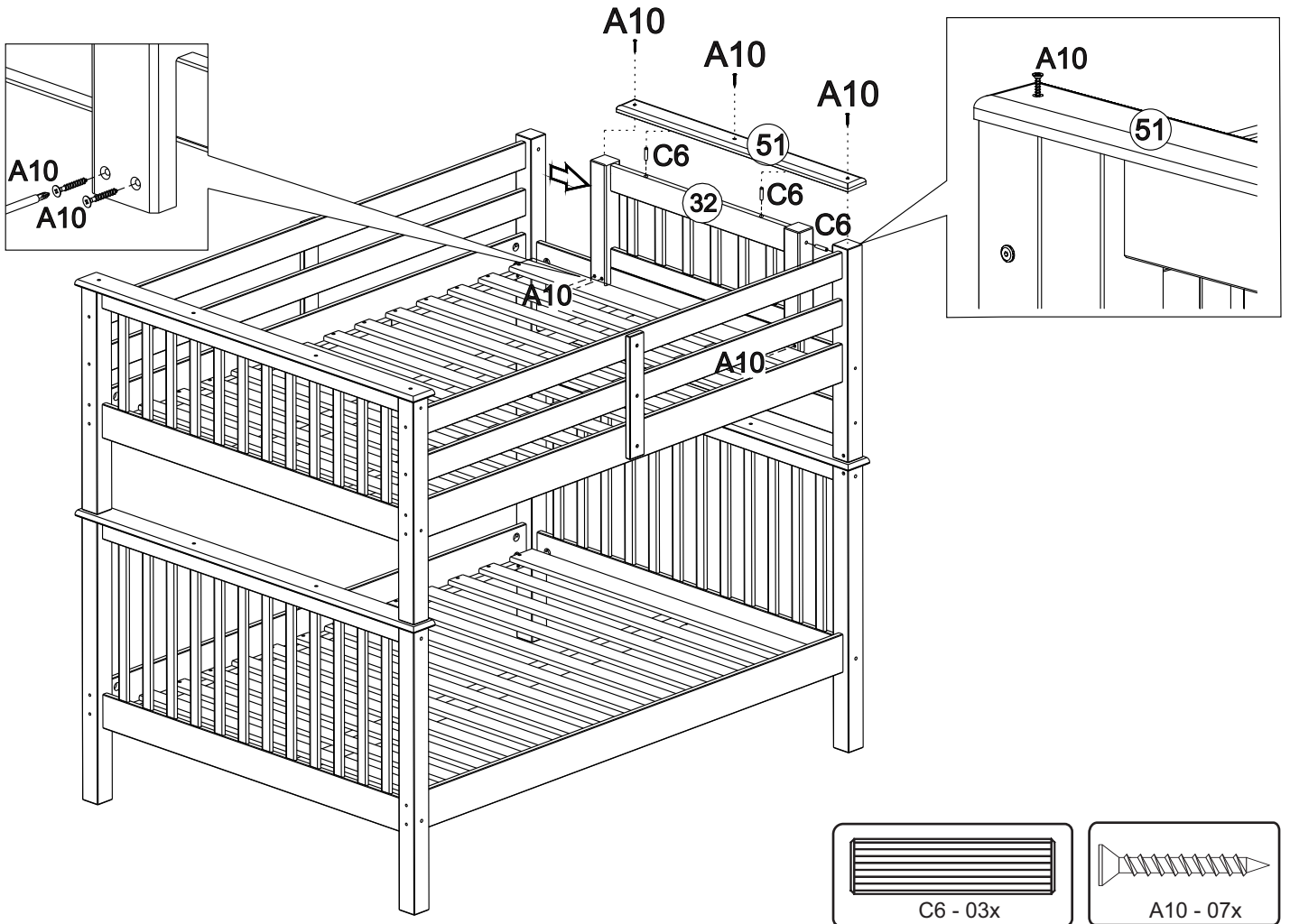
13)

Option: LEFT



14)

# Option: RIGHT



## **BEDDING SPECIFICATION**

- Always use the recommended size mattress or mattress support or both, to help prevent the likelihood of entrapment or falls.
- All Bedz King bunk beds are supplied with a complete slat kit, so there is no need for a foundation or bunkie board.

## **BED MATTRESS SPECIFICATIONS**

Upper Bunk: Only use a mattress that is 74" - 75" long and 52 1/2" - 53 1/2" wide on the upper bunk.

- Ensure thickness of mattress and foundation combined does not exceed 9".

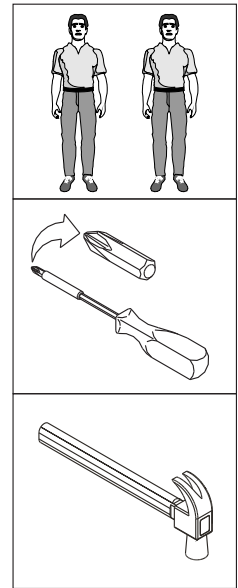
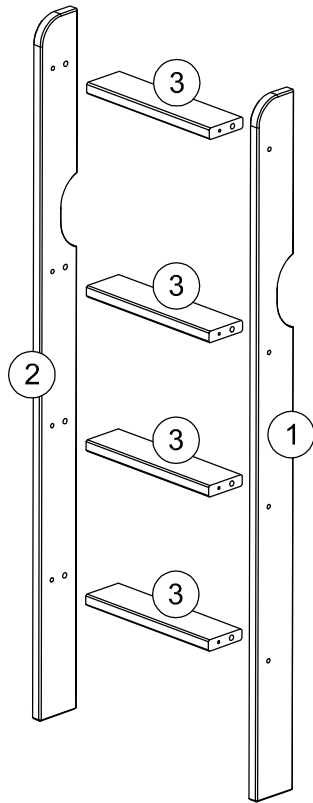
Lower Bunk: Only use a mattress that is 74" - 75" long and 52 1/2" - 53 1/2" wide on the lower bunk.

## **REPLACEMENT PARTS**


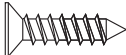
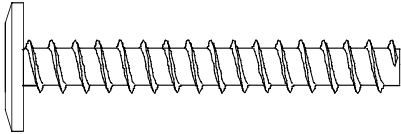

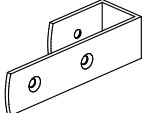
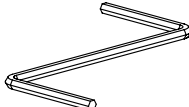

- Replacement parts, including additional guardrails may be obtained by contacting Bedz King
- Guard rails are not available for the lower bunk. This bunk bed is not designed or certified to have guard rails installed on the lower bunk.

## **ASSEMBLY TIPS**

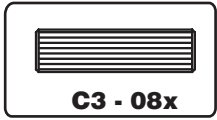
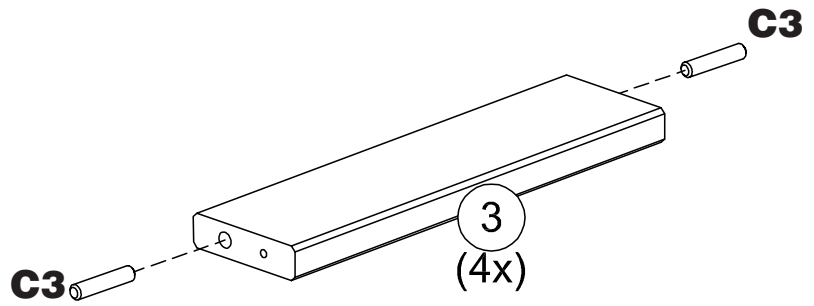
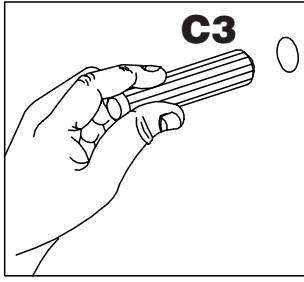
- Power tools are not recommended for assembling your furniture.
- Give yourself plenty of room to work.
- Due to the size of this bunkbed, it must be assembled within the space it will occupy.
- The assembly will require at least two people to complete.
- Make sure all the fasteners are tight.
- Take your time and read the instructions carefully.



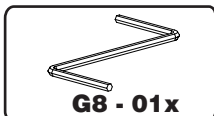
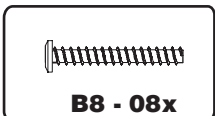
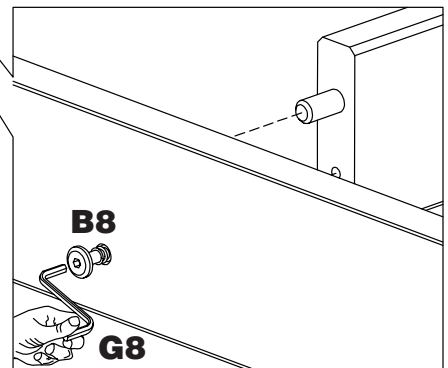
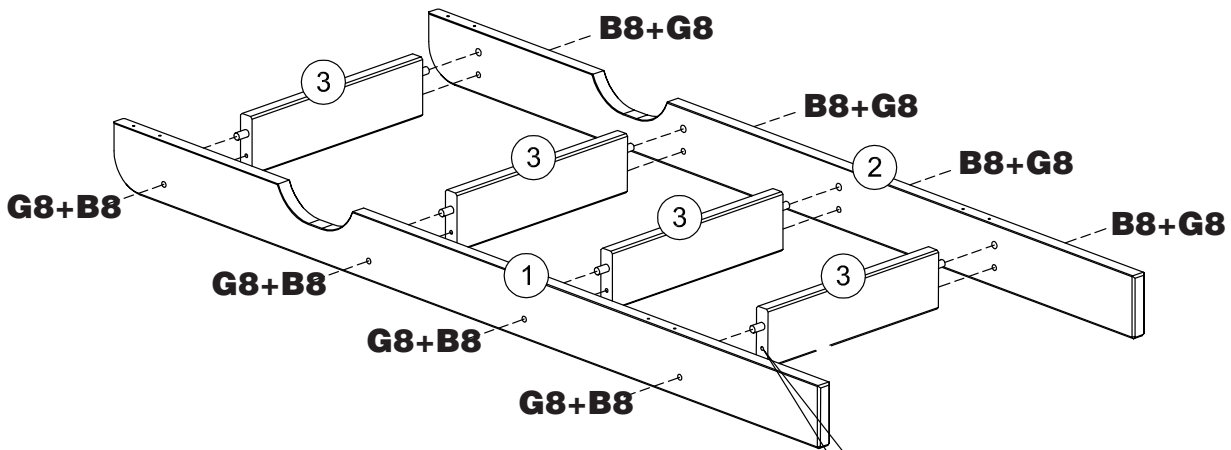
SCREWS ARE SHOWN IN ACTUAL SIZE

|            |   | Qty.     | Extra     |
|------------|---|----------|-----------|
| <b>A10</b> | <br>3,5x30 | <b>8</b> |           |
| <b>A22</b> | <br>4,0x16 | <b>4</b> |           |
| <b>B8</b>  | <br>7,0x50 | <b>8</b> | <b>+1</b> |
| <b>C3</b>  | <br>10x40  | <b>8</b> | <b>+1</b> |
| <b>D14</b> |            | <b>4</b> |           |
| <b>G8</b>  |            | <b>1</b> |           |
| <b>G9</b>  |            | <b>4</b> |           |

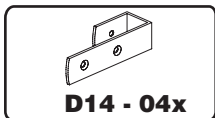
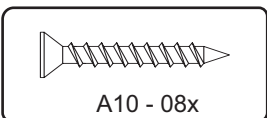
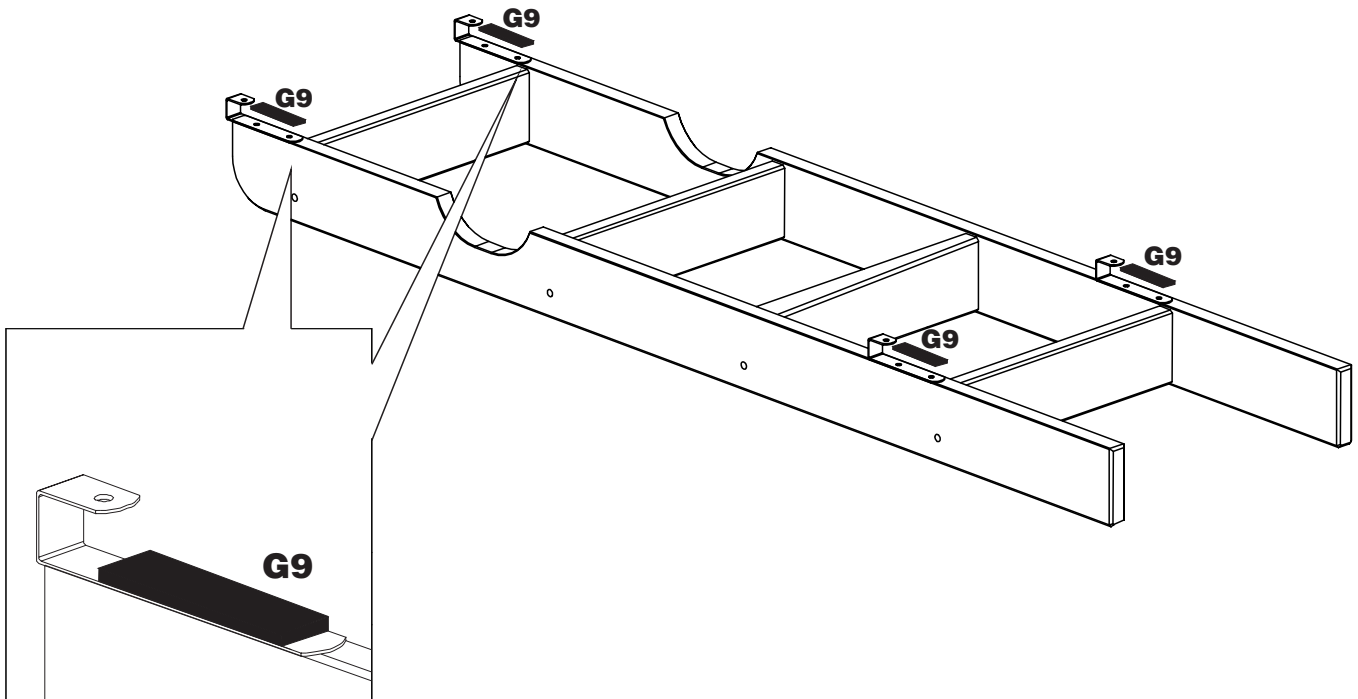
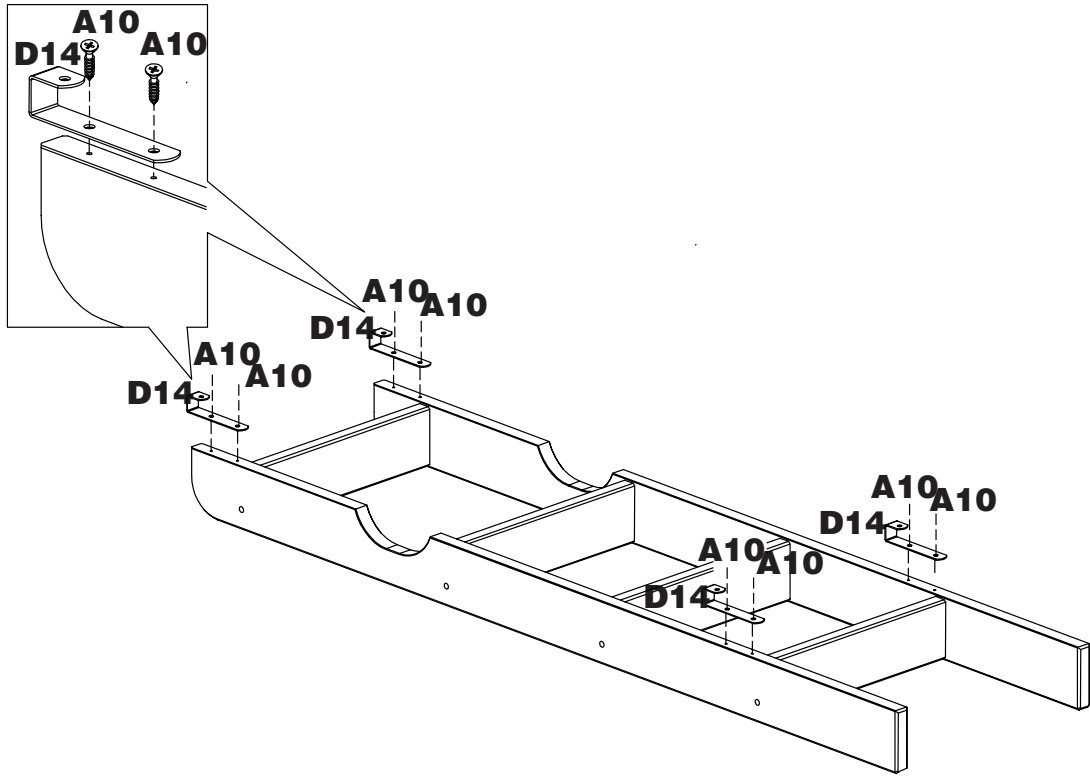
# 01



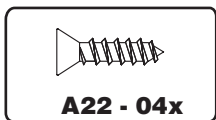
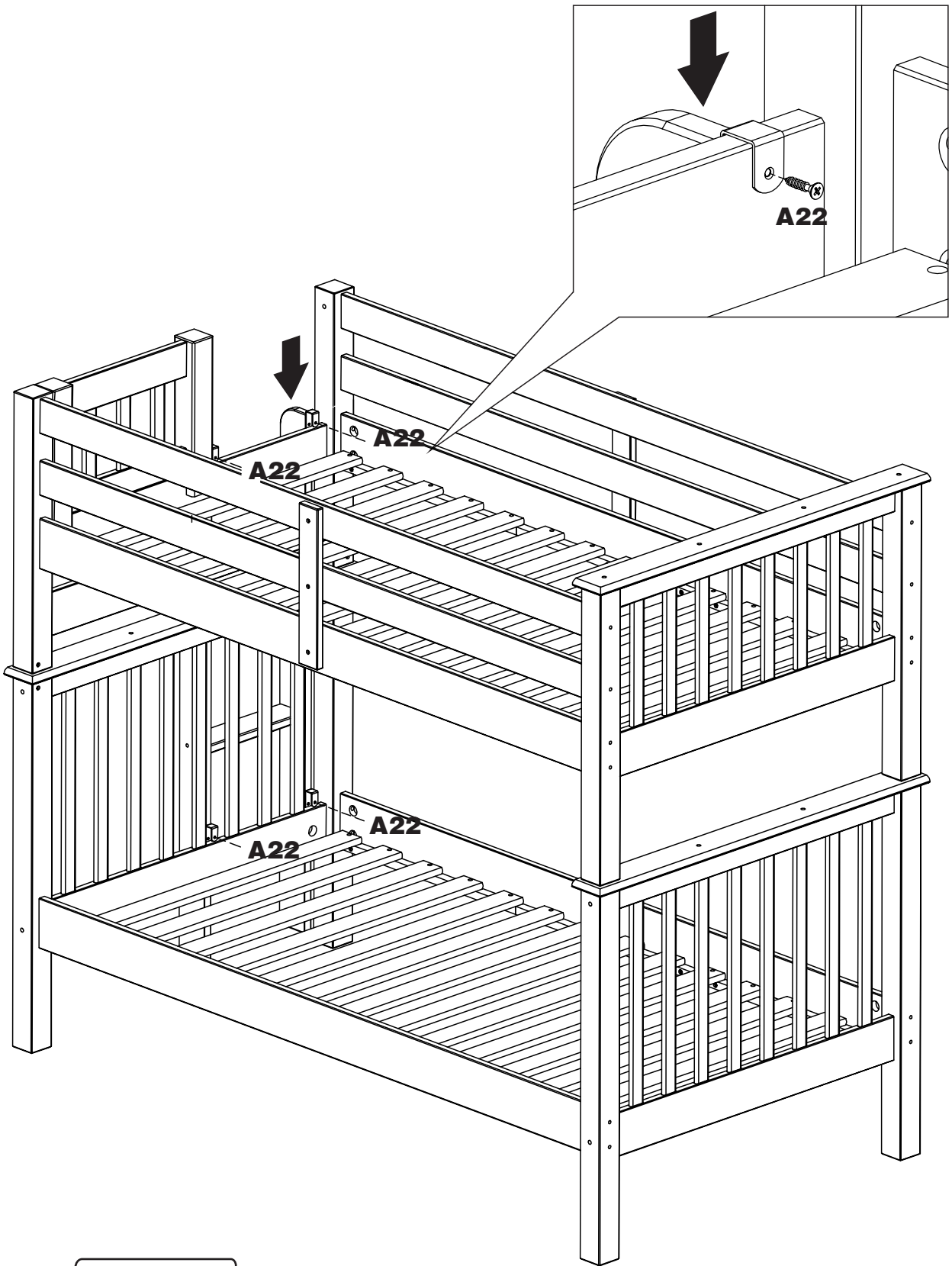
# 02



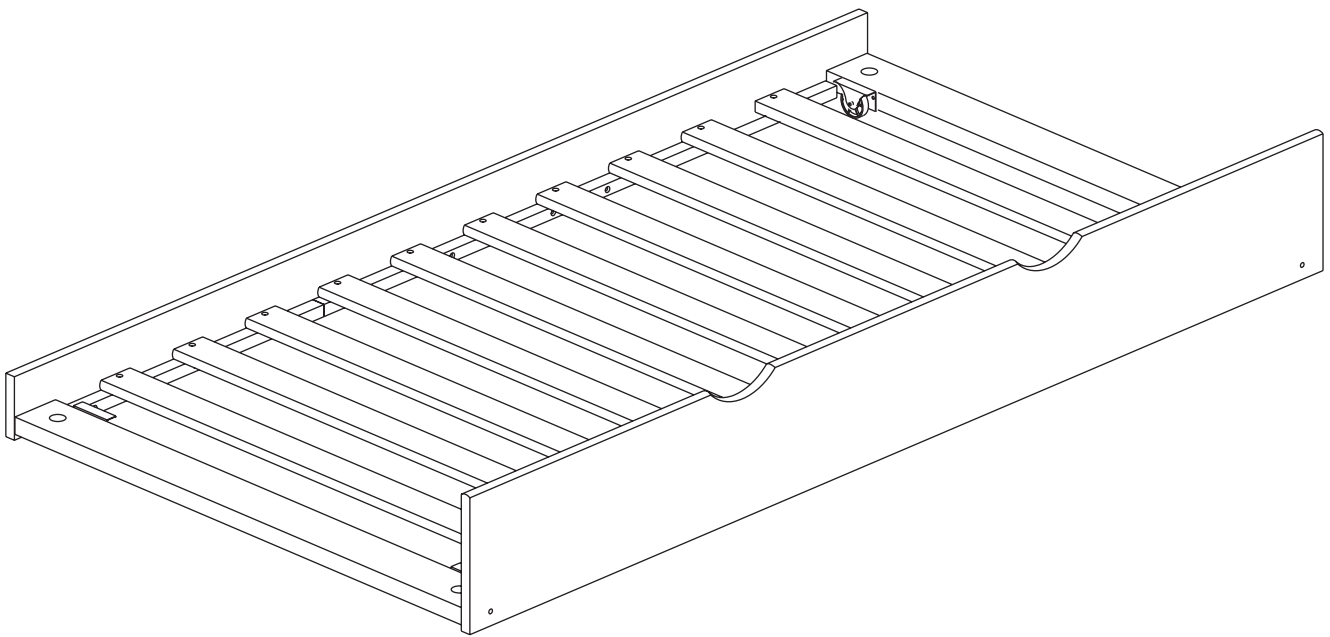
# 03



04

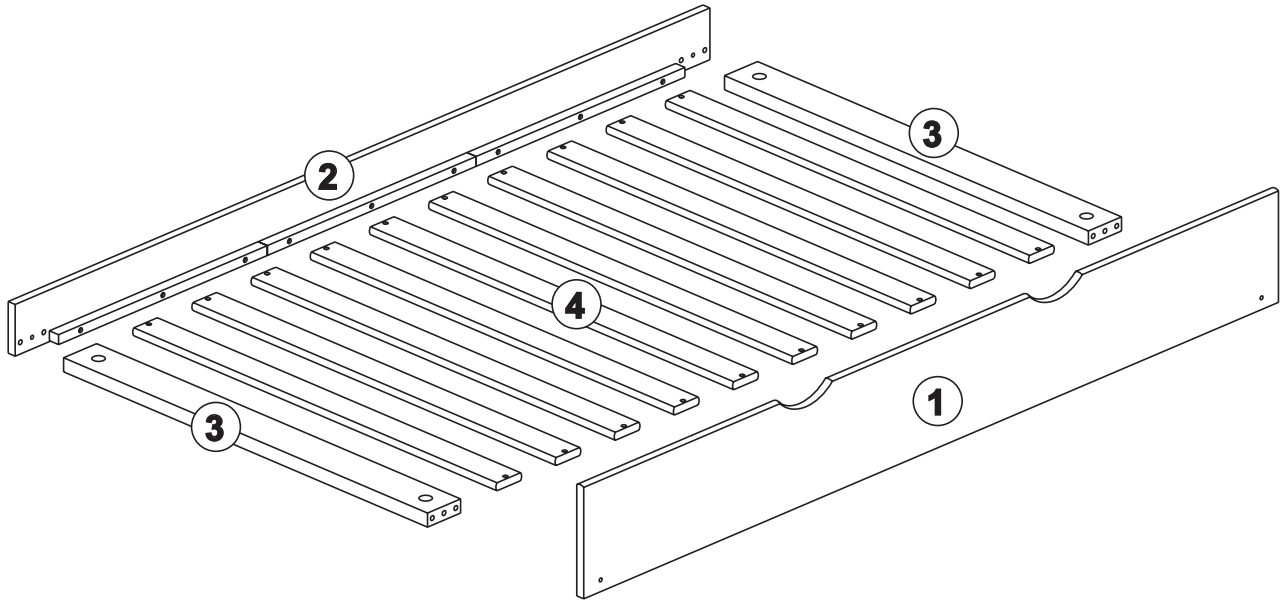


# Twin Trundle

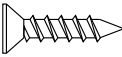
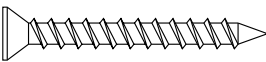

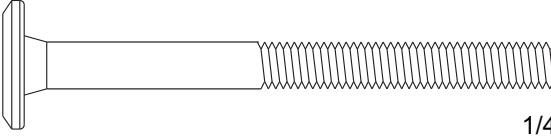
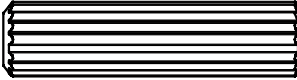
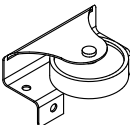
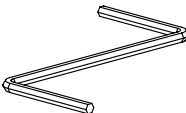
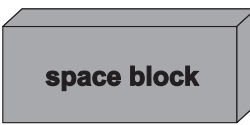


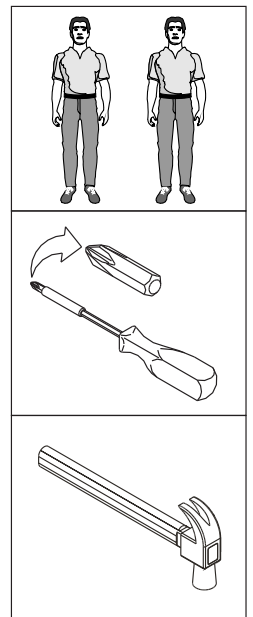
Thank you for purchasing your furniture from Bedz King.

Every effort has been made to ensure your furniture is of the finest quality. If you have any questions, please do not hesitate to contact us.



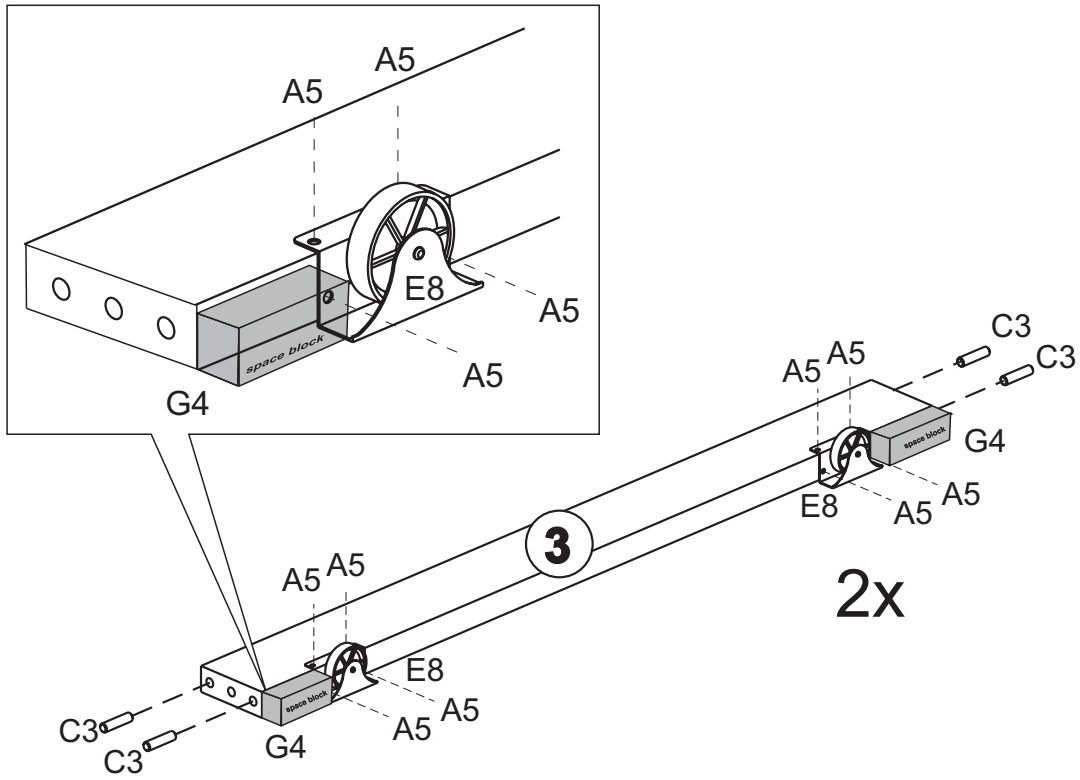
SCREWS ARE SHOWN IN ACTUAL SIZE


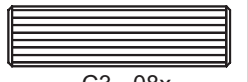


|     |  | Qty. | Extra |
|-----|--|------|-------|
| A5  | <br>3,5x16        | 16   |       |
| A12 | <br>4,0x35      | 20   |       |
| B5  | <br>1/4"        | 4    | +1    |
| B18 | <br>1/4"x70     | 4    |       |
| C3  | <br>10x40       | 8    | +1    |
| E8  |                 | 4    |       |
| G3  |                 | 1    |       |
| G4  | <br>space block | 2    |       |



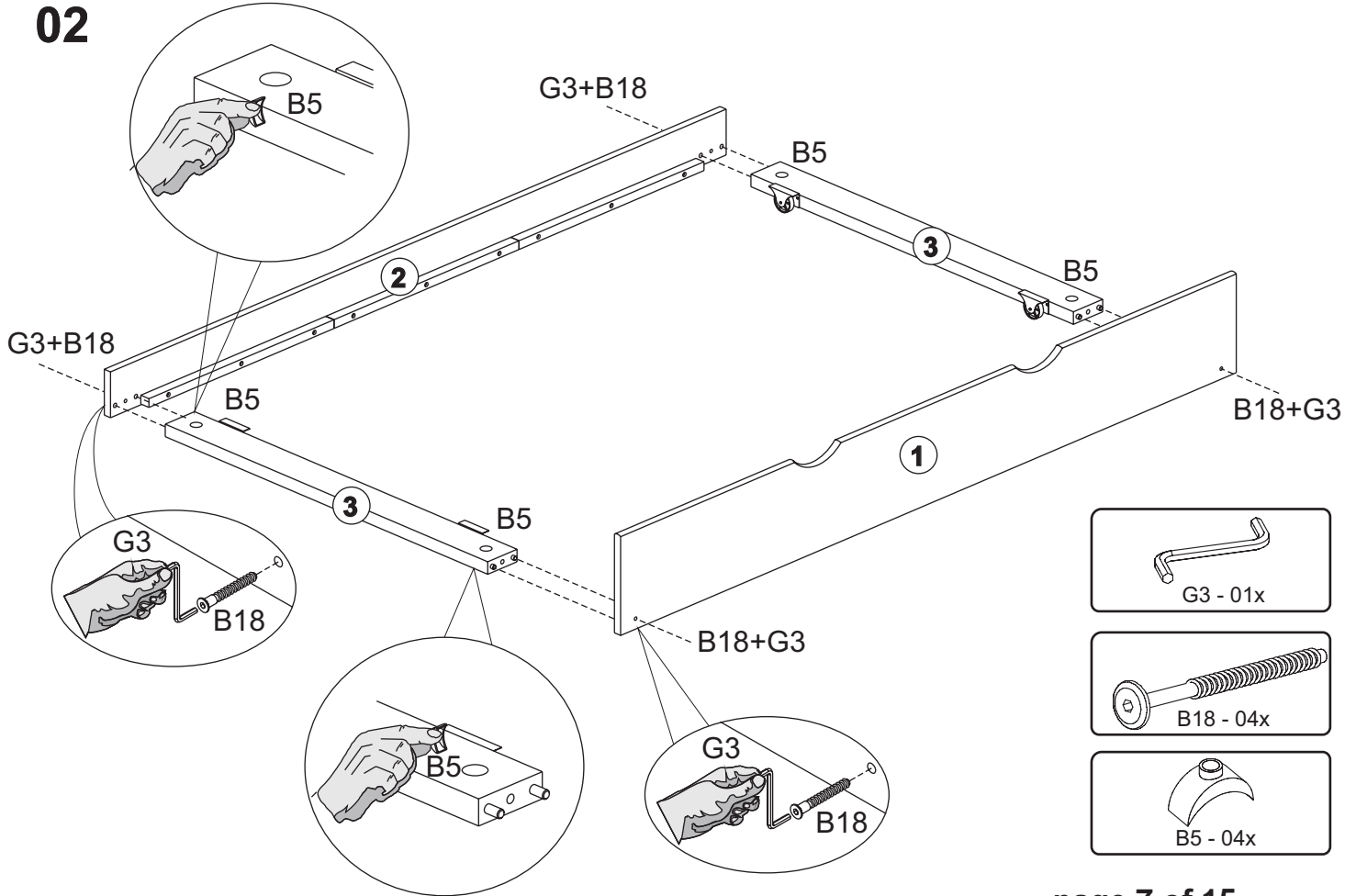
**⚠ WARNING:**  
**CHOKING HAZARD -**  
 - Small Parts  
 Not for Children.  
 To be Assembled by  
 an Adult.

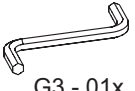


01

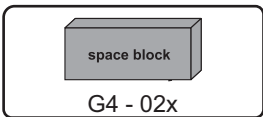
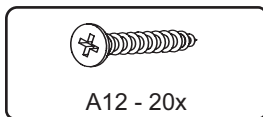
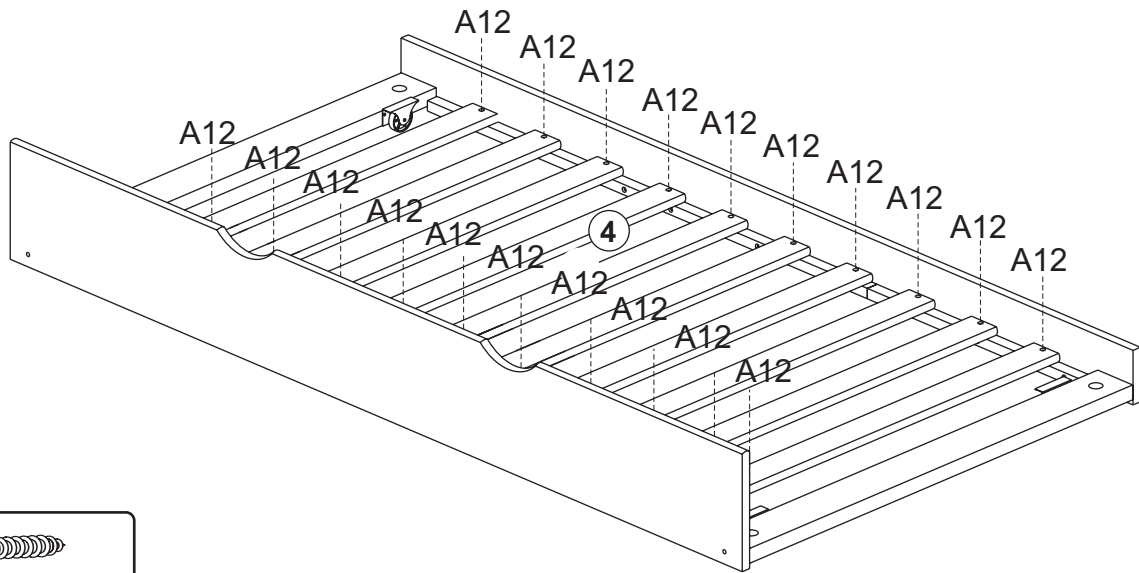
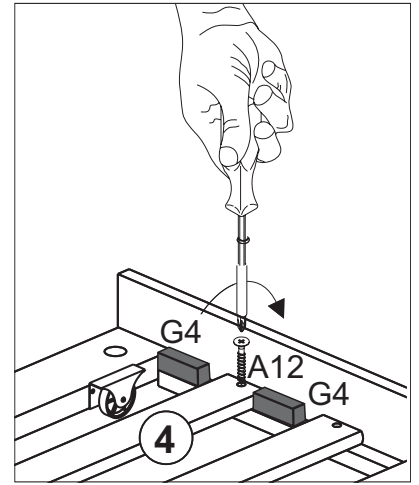


|  |  |  |  |
|--|--|--|--|
| <br>A5 - 16x | <br>C3 - 08x | <br>E8 - 04x | <br>G4 - 02x |
|--|--|--|--|

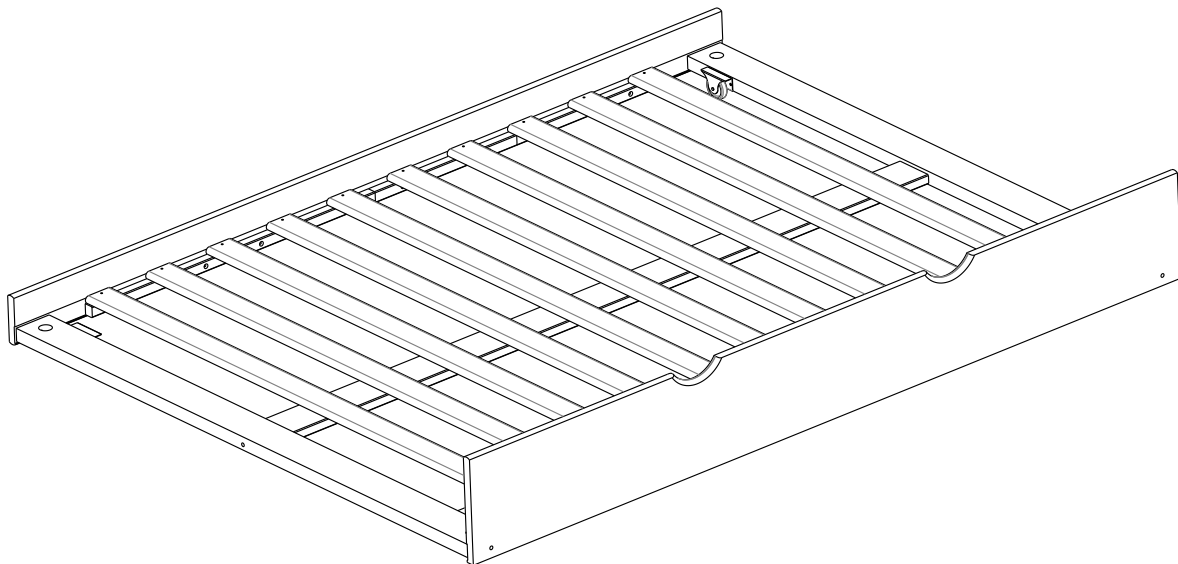
02



|  |
|--|
| <br>G3 - 01x  |
| <br>B18 - 04x |
| <br>B5 - 04x  |

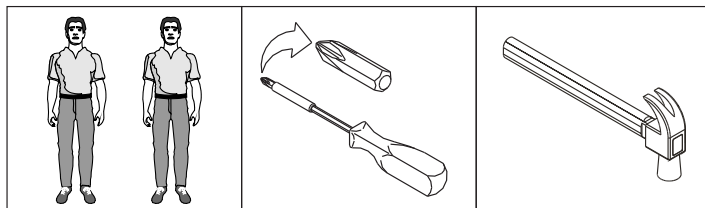
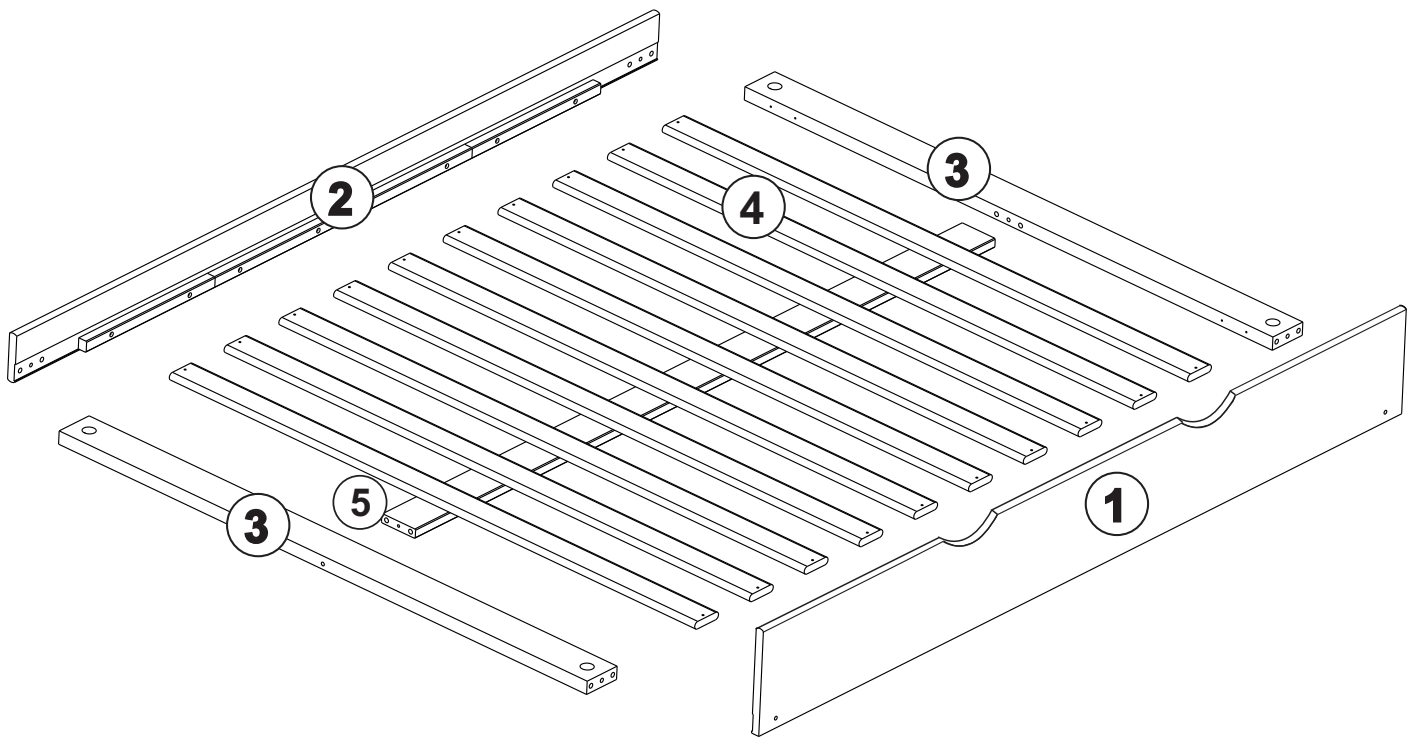


# Full Size Trundle

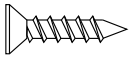

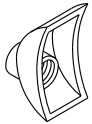
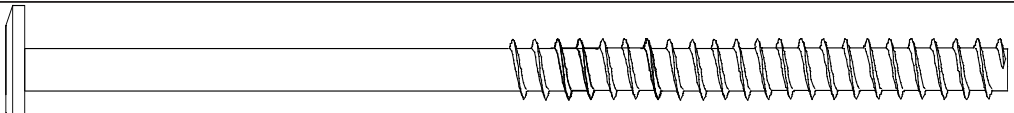
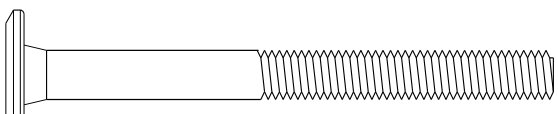

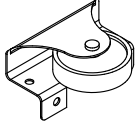
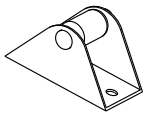
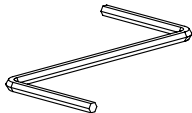



Thank you for purchasing your Furniture from Bedz King.

Every effort has been made to ensure your Furniture is of the finest quality. If you have any questions, please do not hesitate to contact us.

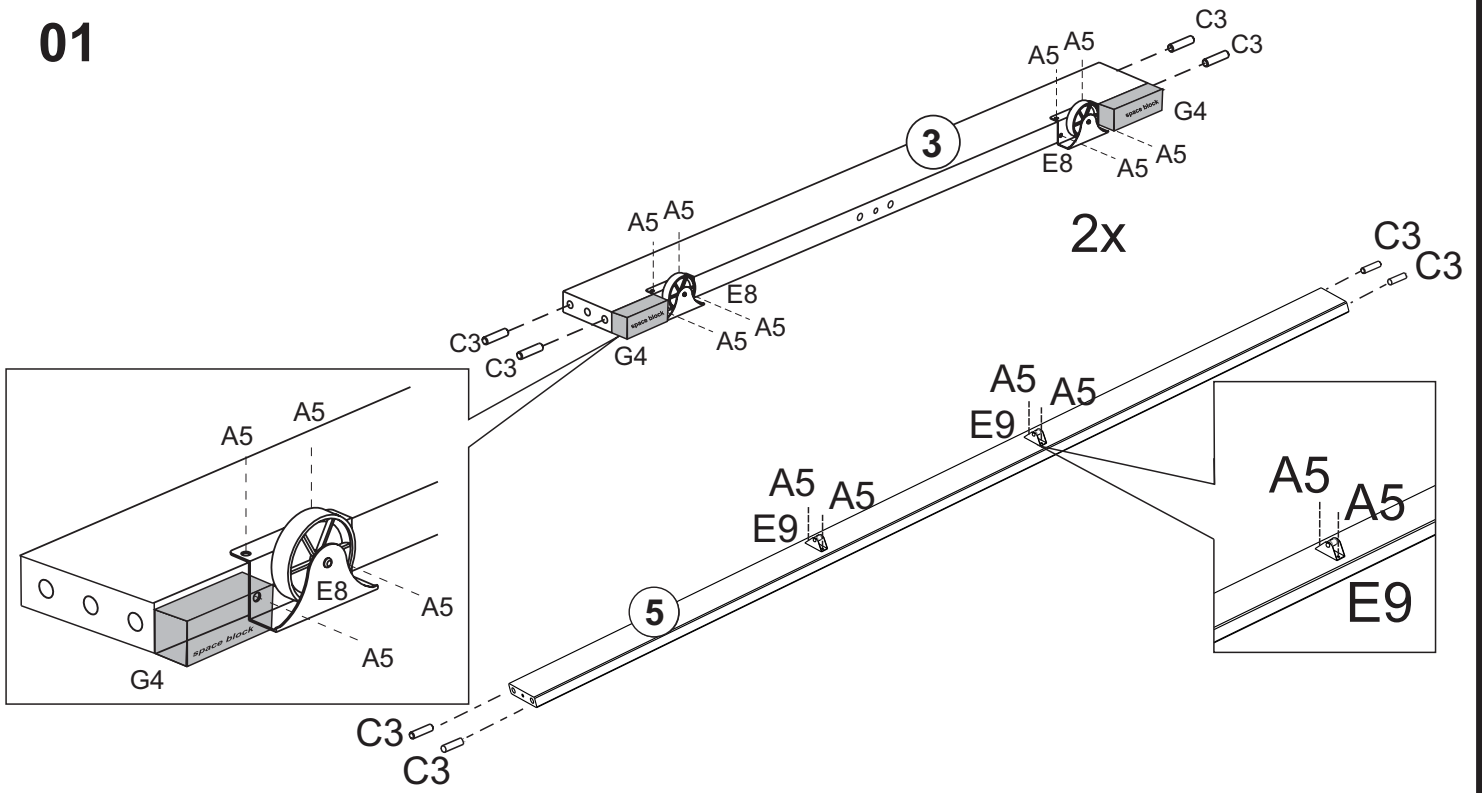



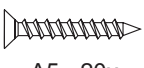



SCREWS ARE SHOWN IN ACTUAL SIZE

|       |   |         | Qty. | Extra |
|-------|---|---------|------|-------|
| A5    |    | 3,5x16  | 20   |       |
| A12   |    | 4,0x35  | 20   |       |
| B5    |    | 1/4"    | 4    | +1    |
| B11/B |   | 7,0x130 | 2    |       |
| B18   |   | 1/4"x70 | 4    |       |
| C3    |  | 10x40   | 12   | +1    |
| E8    |  |         | 4    |       |
| E9    |  |         | 2    |       |
| G3    |  |         | 1    |       |
| G4    |  |         | 2    |       |

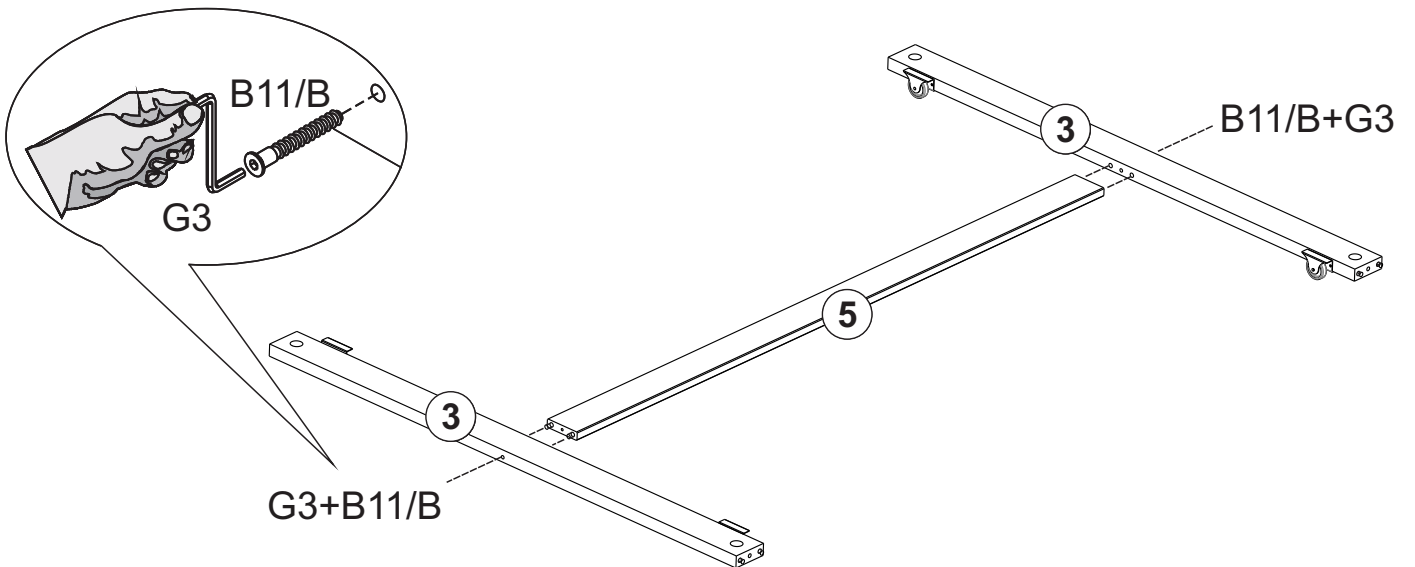
**!** **WARNING:**  
**CHOKING HAZARD** - - Small Parts  
 Not for Children.  
 To be Assembled by an Adult.

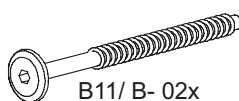
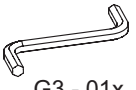
# 01



|  |  |  |  |  |
|--|--|--|--|--|
| <br>E9 - 02x | <br>A5 - 20x | <br>C3 - 12x | <br>E8 - 04x | <br>G4 - 02x |
|--|--|--|--|--|

# 02



|   |   |
|---|---|
| <br>B11/ B- 02x | <br>G3 - 01x |
|---|---|



## **BEDDING SPECIFICATION**

- Always use the recommended size mattress or mattress support or both, to help prevent the likelihood of entrapment or falls.
- All Bedz King bunk beds are supplied with a complete slat kit, so there is no need for a foundation or bunkie board.

## **BED MATTRESS SPECIFICATIONS**

### **TWIN OVER TWIN**

Upper Bunk: Only use a mattress that is 74" - 75" long and 37 1/2" - 38 1/2" wide on the upper bunk.

- Ensure thickness of mattress and foundation combined does not exceed 9".

Lower Bunk: Only use a mattress that is 74" - 75" long and 37 1/2" - 38 1/2" wide on the lower bunk.

### **TWIN OVER FULL**

Upper Bunk: Only use a mattress that is 74" - 75" long and 37 1/2" - 38 1/2" wide on the upper bunk.

- Ensure thickness of mattress and foundation combined does not exceed 9".

Lower Bunk: Only use a mattress that is 74" - 75" long and 52 1/2" - 53 1/2" wide on the lower bunk.

### **FULL OVER FULL**

Upper Bunk: Only use a mattress that is 74" - 75" long and 52 1/2" - 53 1/2" wide on the upper bunk.

- Ensure thickness of mattress and foundation combined does not exceed 9".

Lower Bunk: Only use a mattress that is 74" - 75" long and 52 1/2" - 53 1/2" wide on the lower bunk.

## **REPLACEMENT PARTS**

- Replacement parts, including additional guardrails may be obtained by contacting Bedz King.
- Guard rails are not available for the lower bunk. This bunk bed is not designed or certified to have guard rails installed on the lower bunk.

## **ASSEMBLY TIPS**

- Power tools are not recommended for assembling your furniture.
- Give yourself plenty of room to work.
- Due to the size of this bunkbed, it must be assembled within the space it will occupy.
- The assembly will require at least two people to complete.
- Make sure all the fasteners are tight.
- Take your time and read the instructions carefully.

**READ THESE INSTRUCTIONS CAREFULLY BEFORE  
ATTEMPTING TO ASSEMBLE THIS BED**

**SAFETY WARNINGS AND GENERAL NOTES**

- ✓ Follow the information on the warning labels on the upper bunk bed structure and on the carton. Do not remove warning label from the bed.
- ✓ Always use the recommended size mattress or mattress support, or both, to help prevent the likelihood of entrapment or falls.
- ✓ The top surfaces of the mattress must be at least 5" below the upper edge of the guardrails.
- ✓ **Do not** allow children under 6 years of age to use the upper bunk.
- ✓ **Prohibit** more than one person on the upper bunk.
- ✓ Periodically check and ensure that the guardrails, ladder and other components are in their proper position, free from damage, and that all connectors are tight.
- ✓ **Do not** allow horseplay on or under the bed. Always prohibit jumping on the bed.
- ✓ Always use the ladder for entering and leaving the upper bunk.
- ✓ **Do not** use substitute parts. Contact the manufacturer or dealer for replacement parts.
- ✓ Use of a night-light may provide added safety for a child using the upper bunk.
- ✓ If the bunk bed will be placed next to the wall, the guardrail that runs the full length of the bed should be placed against the wall to prevent entrapment between the bed and the wall.
- ✓ Always use guardrails on both long sides of the upper bunk.
- ✓ The use of a water or sleep floatation mattress is prohibited.
- ✓ Keep these instructions for future reference.
- ✓ We recommend assembling your bunk bed on the shipping carton to protect your floor or carpet. Be certain all staples are out of the box before beginning assembly on the shipping carton.
- ✓ **Strangulation Hazard** Never attach or hang items to any part of the bunk bed that are not designed for use with the bed for example, but not limited to hooks, belts, and jump ropes.