

INSTRUCTION MANUAL

WOODEN CHICKEN COOP

PD-1032

Remember

We strongly recommend looking after these instructions, after all without them it will be a bit tricky to put this product together. Even though we know our customers are more intelligent than most, we still think you may find these instructions useful.

We recommend the following inspection

- ◆ This product is made from natural fir wood. If it smells, please ventilate it out of door for 10 days before using it.
- ◆ When connecting two parts with screws, you'll find screw holes on one side but not the other. This is normal and intentional. Since fir wood is a soft wood, drilling holes on both sides would make the connection less secure.
- ◆ Check all parts are present.
- ◆ Fasten screws loosely during initial assembly. Do not fully tighten screws until the item is completely assembled.
- ◆ During assembly, you will find that there are no pre-drill holes with some parts. For some small screws, there are no pre-drill holes. We will explain it clearly in each step to ensure that your product is stronger during use. You only need a electric screwdriver or a powerful man to easily turn screws.
- ◆ After assembly, check all screws and tighten it again. Not as tight as better. Excessive force will crack the wood.
- ◆ On rare occasions, when you first erect the product in wet conditions and where it is wet or rainy for a prolonged time, then followed by a burst of sunshine, it is still possible to get some mould on some panels. Please be reassured that this can be washed off with a mould cleaner or wiped down with a baking soda solution.
- ◆ Strongly recommended that you treat the product with a clear timber preserver, and re-treat once a year to extend the life of your product.
- ◆ Reconfirm that all bolts, screws, and knobs are secure every 180 days.
- ◆ Do not use or store this item in the proximity of open flame or flammable/combustible chemicals.
- ◆ Use on a flat ground.
- ◆ If you have any questions during installation, please do not hesitate to mail us by aftersales365@outlook.com.

TOOLS REQUIRED



2 PERSON
ASSEMBLY



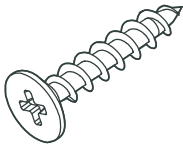
UP TO 60 MIN.
ASSEMBLY

- ◆ **This product must be assembled by 2 adults.**
- ◆ **We recommend using an electric screwdriver for ease, but a manual will work - you will just need a little more elbow grease!**

Hardware Include

A

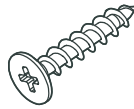
**M4.0*55MM
SCREW**



12PCS+1SPARE

B

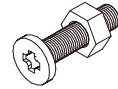
**M3.0*18MM
SCREW**



32PCS+1SPARE

C

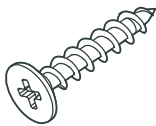
**M6.0*65MM
BOLT**



4PCS

D

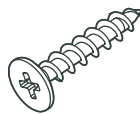
**M3.5*35MM
SCREW**



4PCS+1SPARE

E

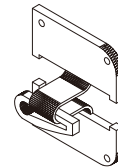
**M3.0*25MM
SCREW**



4PCS+1SPARE

F

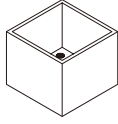
LOCK



1PC

G

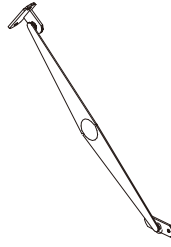
PLASTIC FEET



4PCS

L

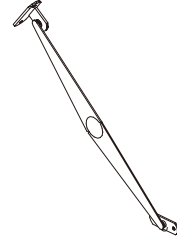
LEFT ROOF HINGE



1PC

R

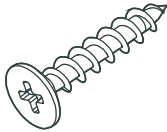
RIGHT ROOF HINGE



1PC

H

**M3.5*40MM
SCREW**

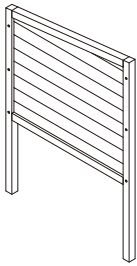


8PCS+1SPARE

Parts Include

1

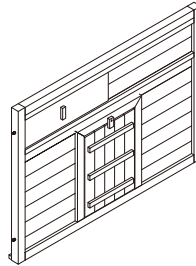
LEFT SIDE PANEL



1PC

2

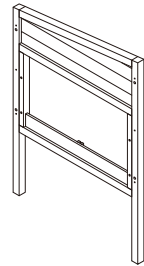
FRONT PANEL



1PC

3

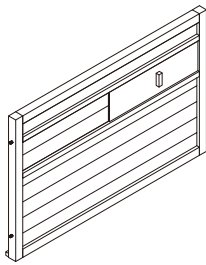
RIGHT SIDE PANEL



1PC

4

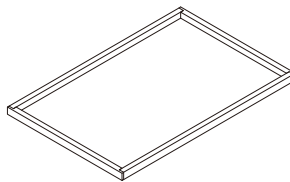
BACK PANEL



1PC

5

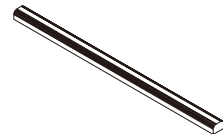
TRAY



1PC

6

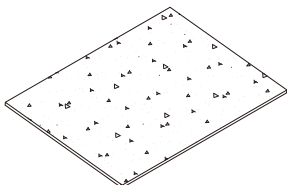
PERCH



2PCS

7

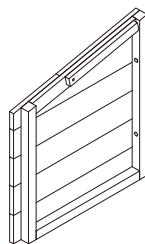
ROOF



1PC

8

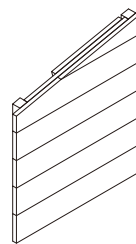
LEFT PANEL OF NESTING BOX



1PC

9

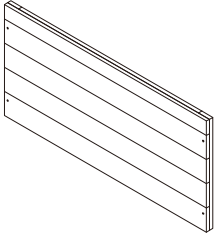
RIGHT PANEL OF NESTING BOX



1PC

10

FRONT PANEL OF NESTING BOX

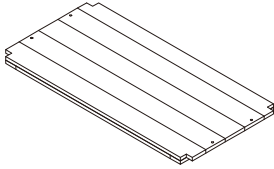


1PC

The diagram shows a rectangular panel with four horizontal slats. It is shown from a perspective view, slightly angled to the right.

11

FLOOR PANEL OF NESTING BOX

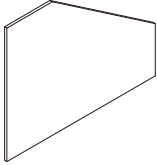


1PC

The diagram shows a rectangular panel with four horizontal slats, similar to the front panel but shown from a different perspective, possibly the bottom or a side view.

12

DIVIDER

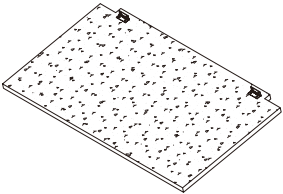


1PC

The diagram shows a trapezoidal-shaped divider with a pointed top and a wider base. It is shown from a perspective view.

13

ROOF OF NESTING BOX

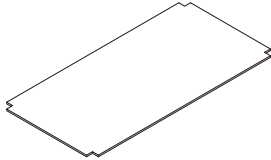


1PC

The diagram shows a rectangular panel with a textured surface, possibly representing a roof or a filter. It is shown from a perspective view.

14

PVC PAD

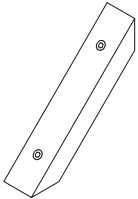


1PC

The diagram shows a rectangular panel with a slightly raised edge, representing a PVC pad. It is shown from a perspective view.

15

REINFORCE BAR

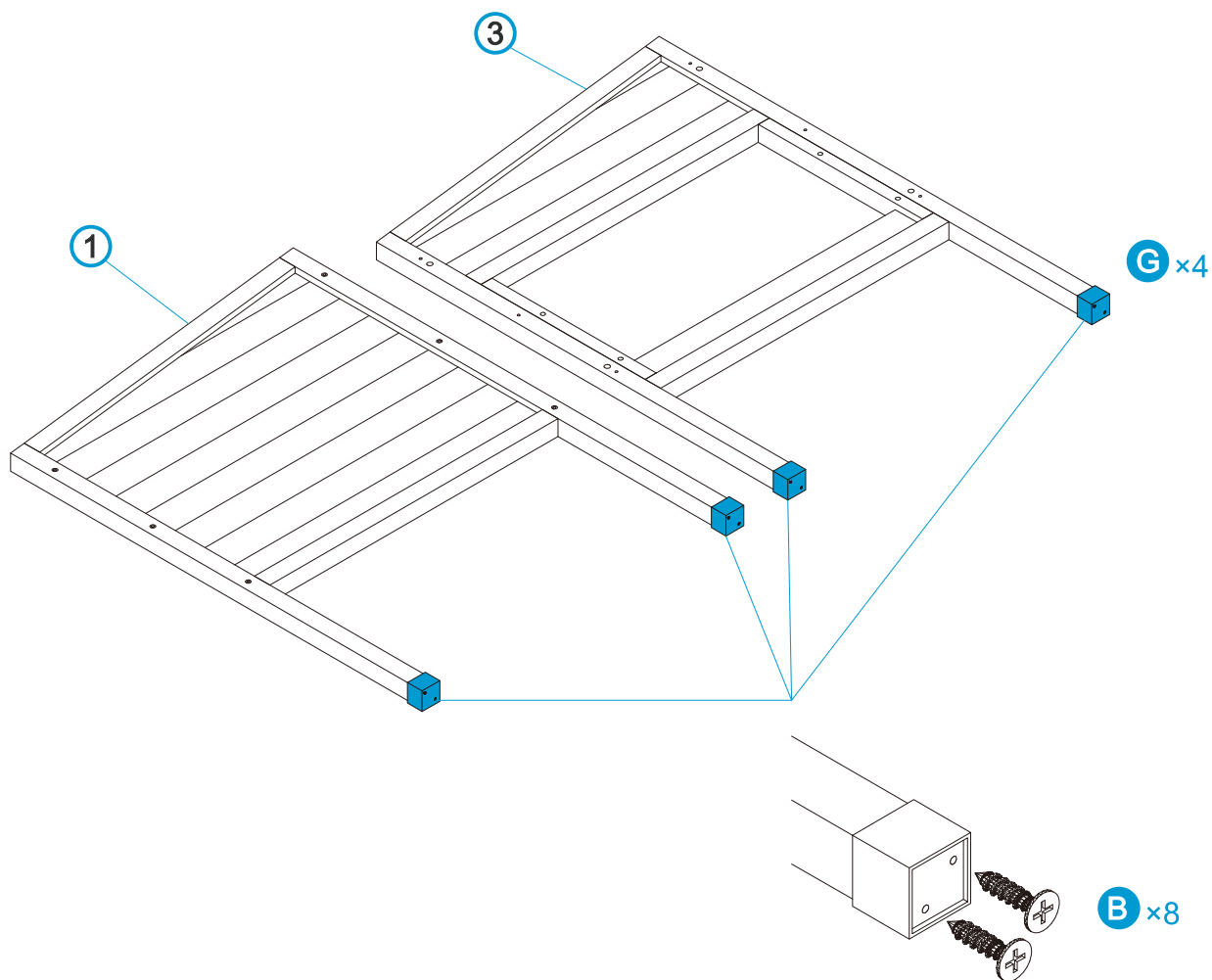


4PCS

The diagram shows a long, narrow rectangular bar with two circular holes spaced along its length. It is shown from a perspective view.

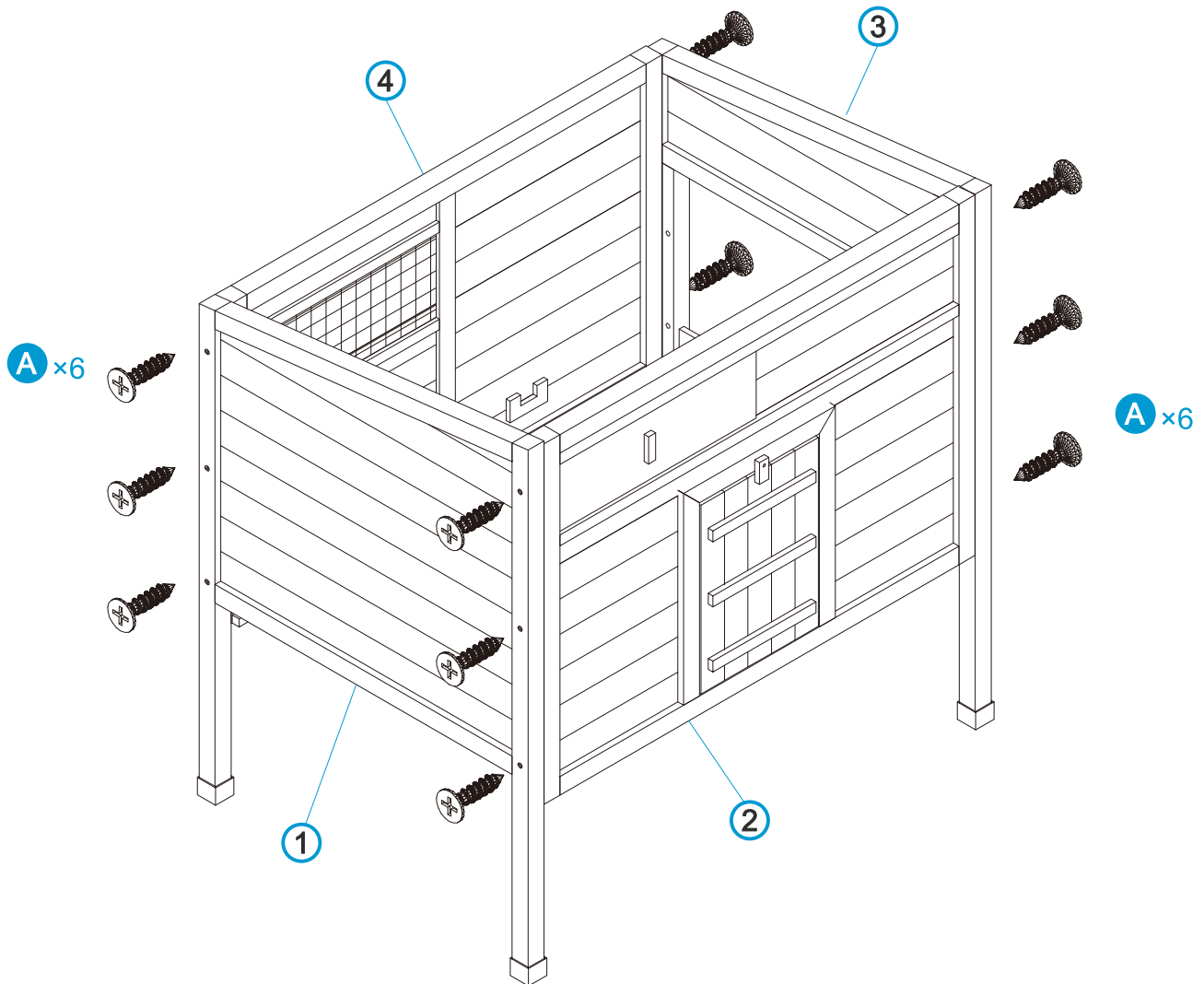
STEP 1

Attach the plastic feet (Part G) to the side panels (Part 1 & Part 3) with 2xB screws per leg (a total of 8xB screws).



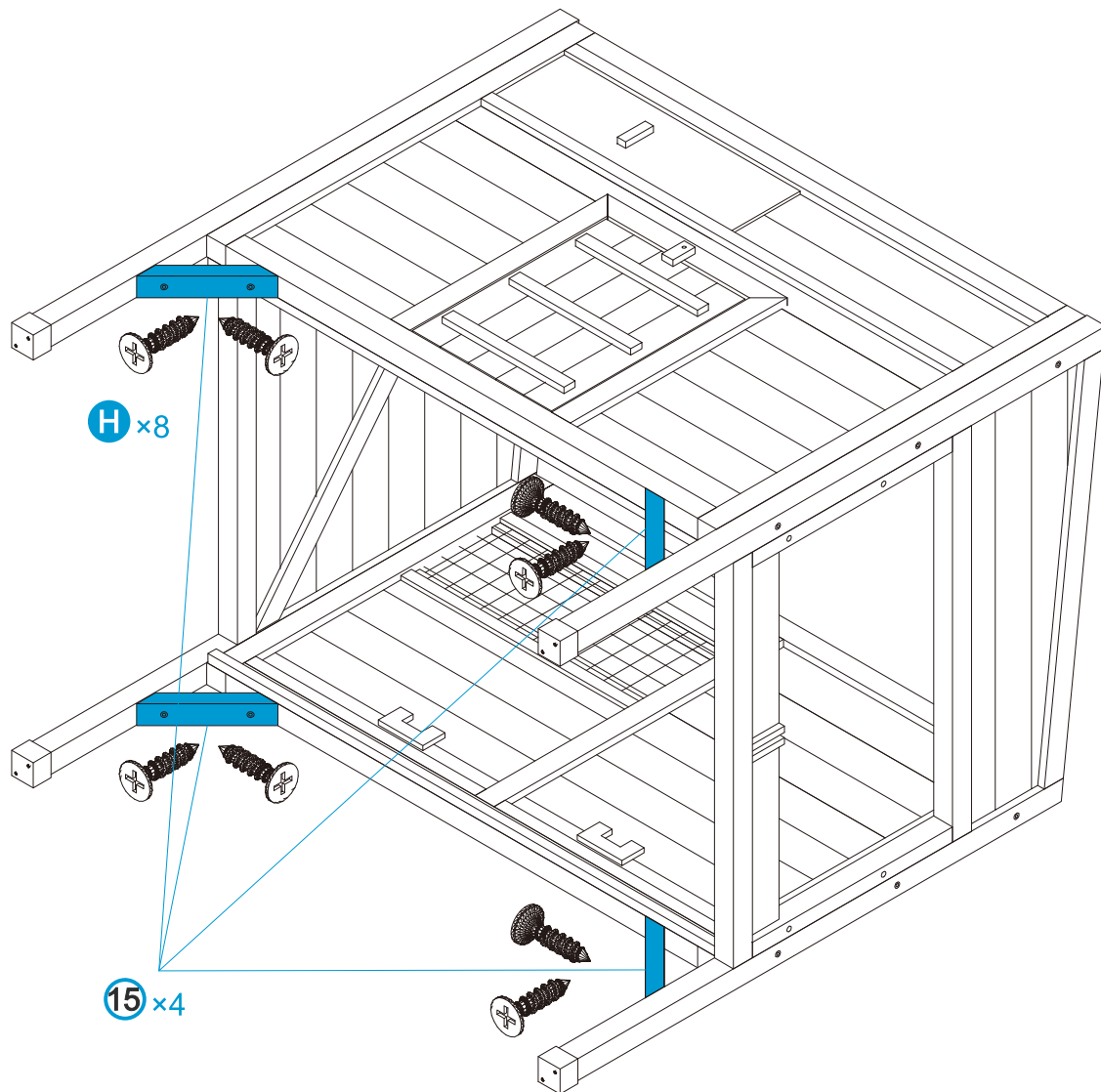
STEP 2

Attach the panels (Part 1, 2, 3, 4) with 6xA screws per side (a total of 12xA screws).



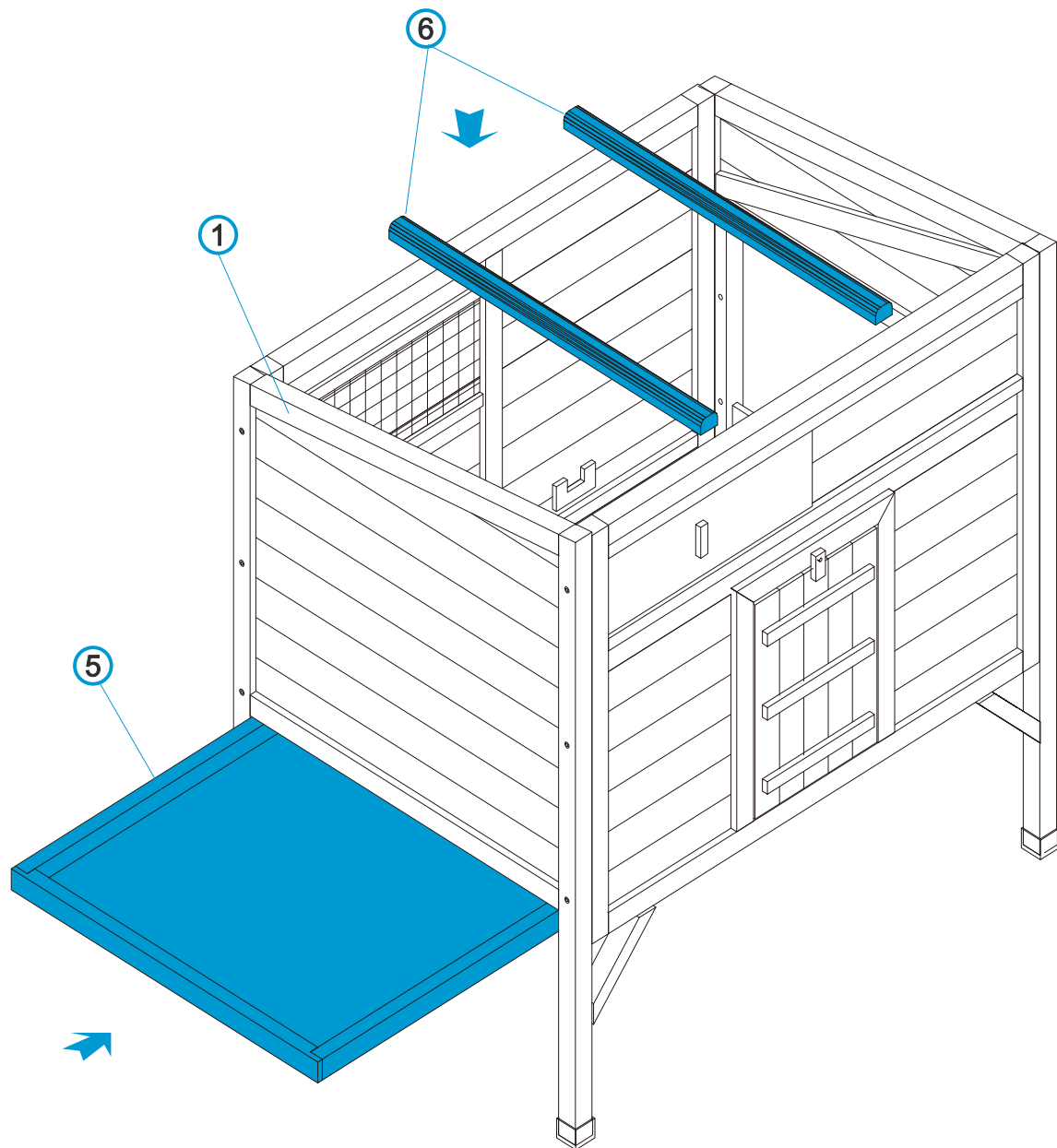
STEP 3

Attach the 4 reinforce bar (Part 15) to the side of the panels and legs with 8xH screws for reinforcing (2xH screws per side).



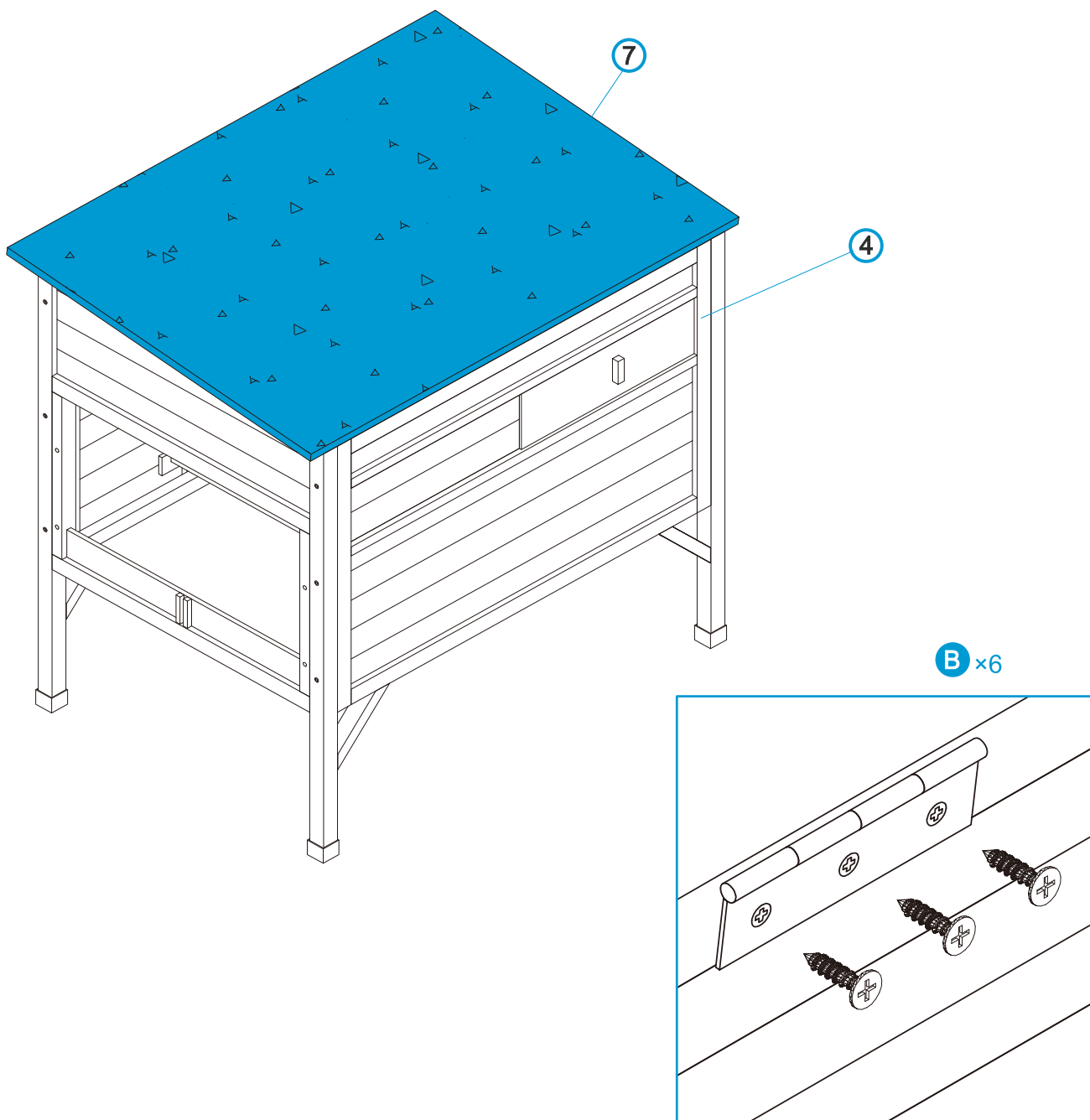
STEP 4

Insert two perches (2xPart 6) into the built-in slots.
Slide the bottom tray (Part 5) into the bottom from the left panel (Part 1).



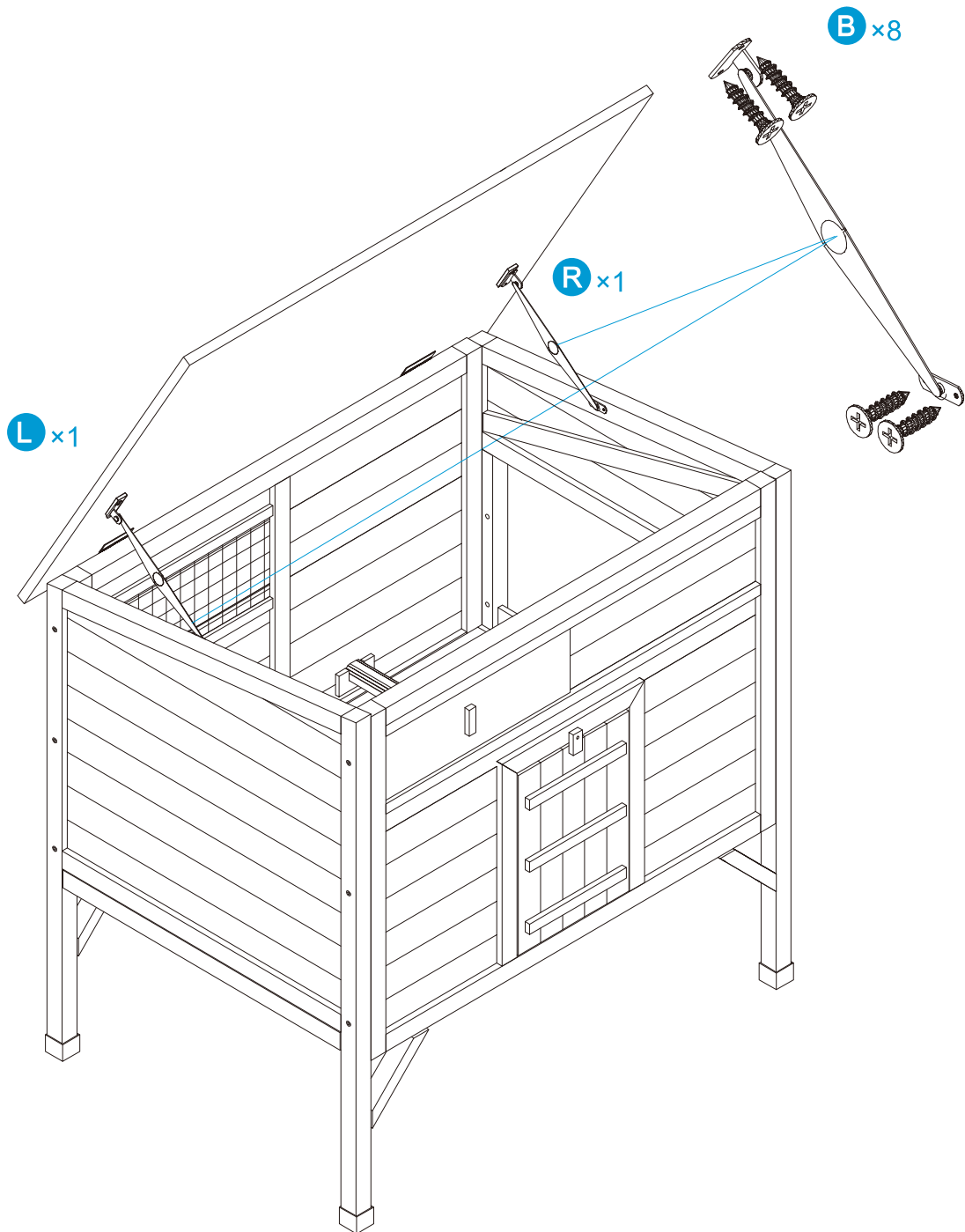
STEP 5

Attach the roof (Part 7) to the edge of the back panel (Part 4) with 3xB screws on both sides (a total of 6xB screws).



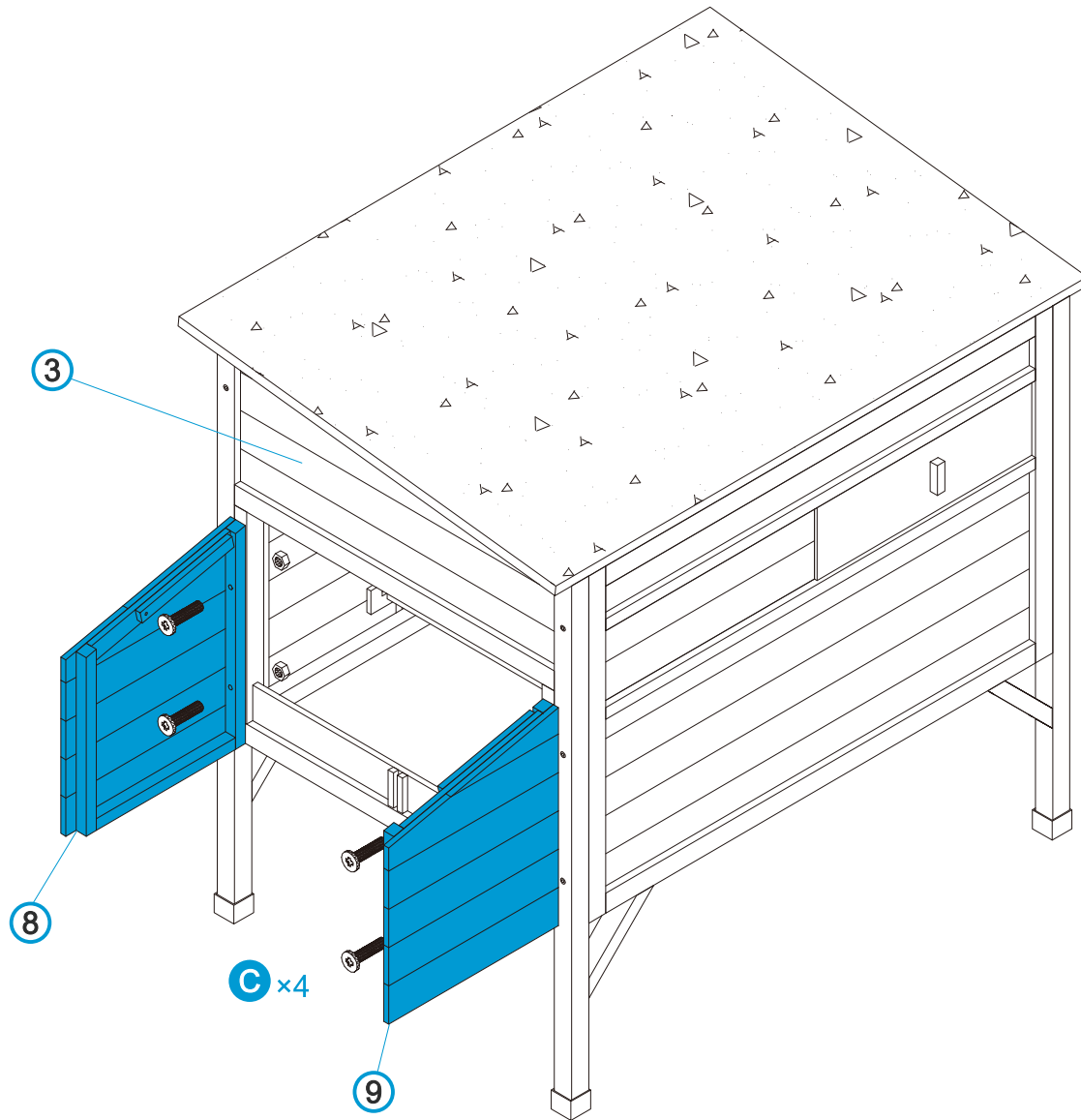
STEP 6

Attach the roof hinges (L & R) to the coop with 4xB screws on each side (a total of 8xB screws).



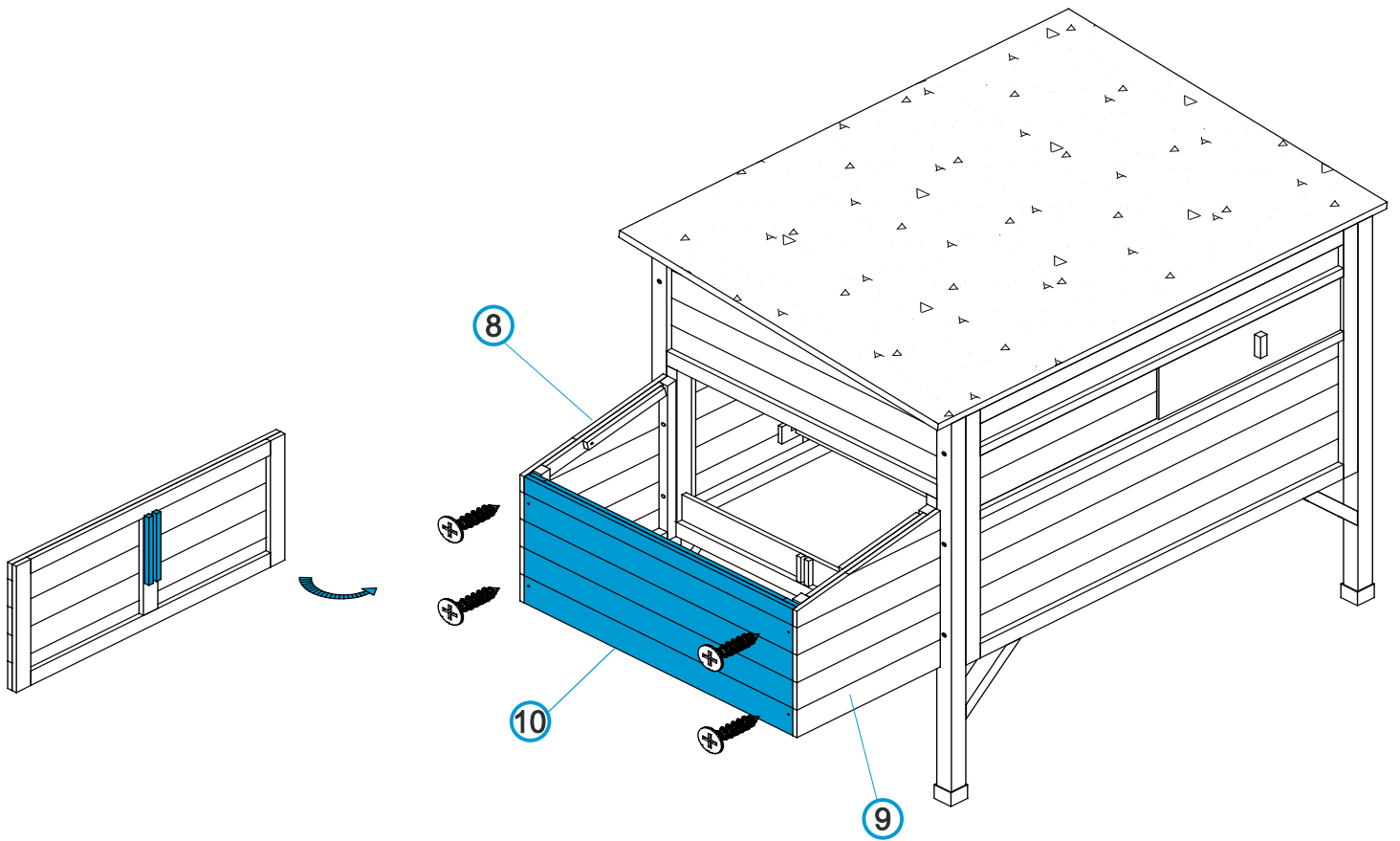
STEP 7

Attach the side panels of nesting box (Part 8 & Part 9) to the right side panel (Part 3) with 2xC screws on both sides (a total of 4xC screws).



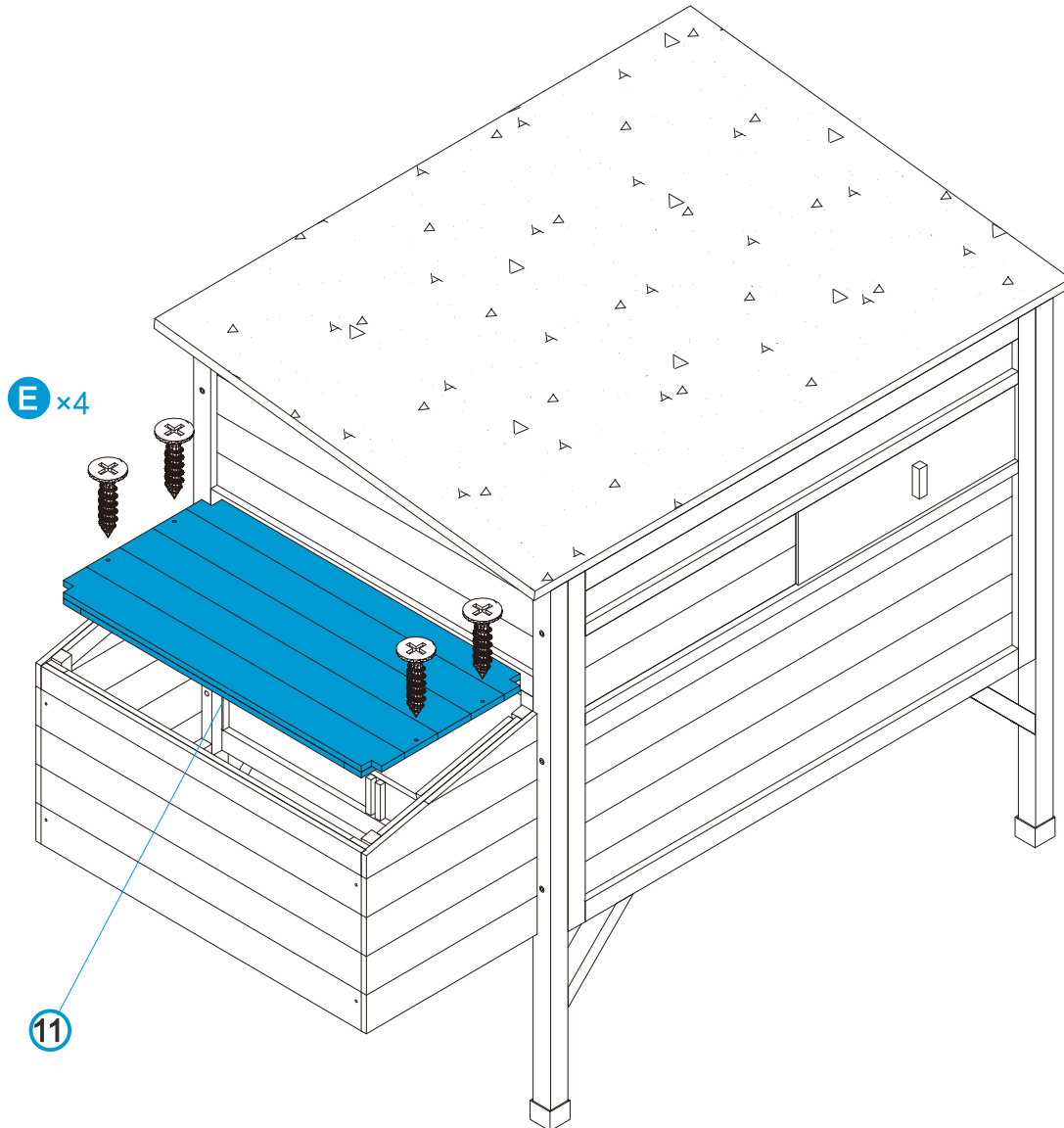
STEP 8

Attach the front panel of nesting box (Part 10) to the side panels of nesting box (Part 8 & Part 9) with 2xD screws on both sides (a total of 4xD screws).



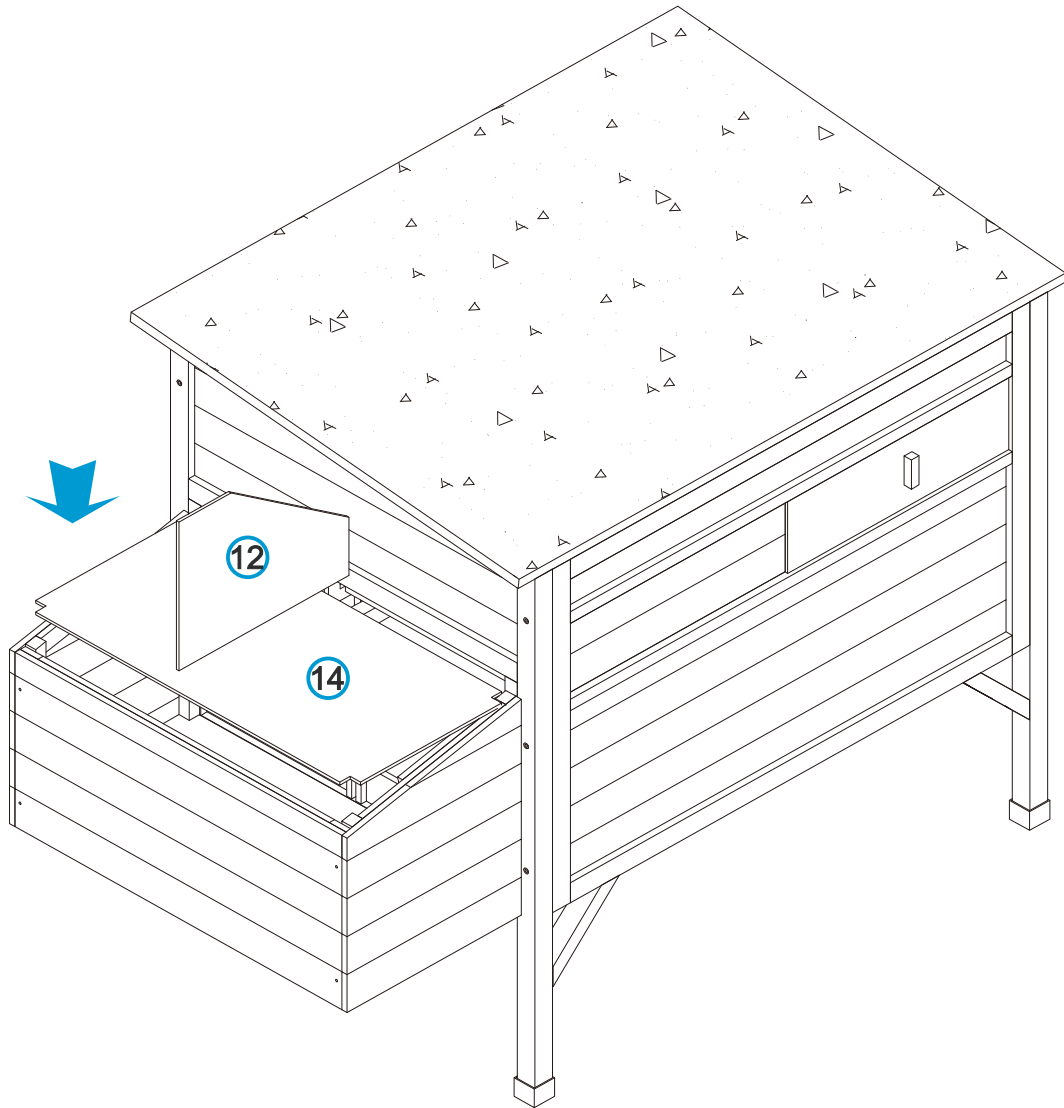
STEP 9

Put the floor panel of nesting box (Part 11) down inside, attaching with 4xE screws.



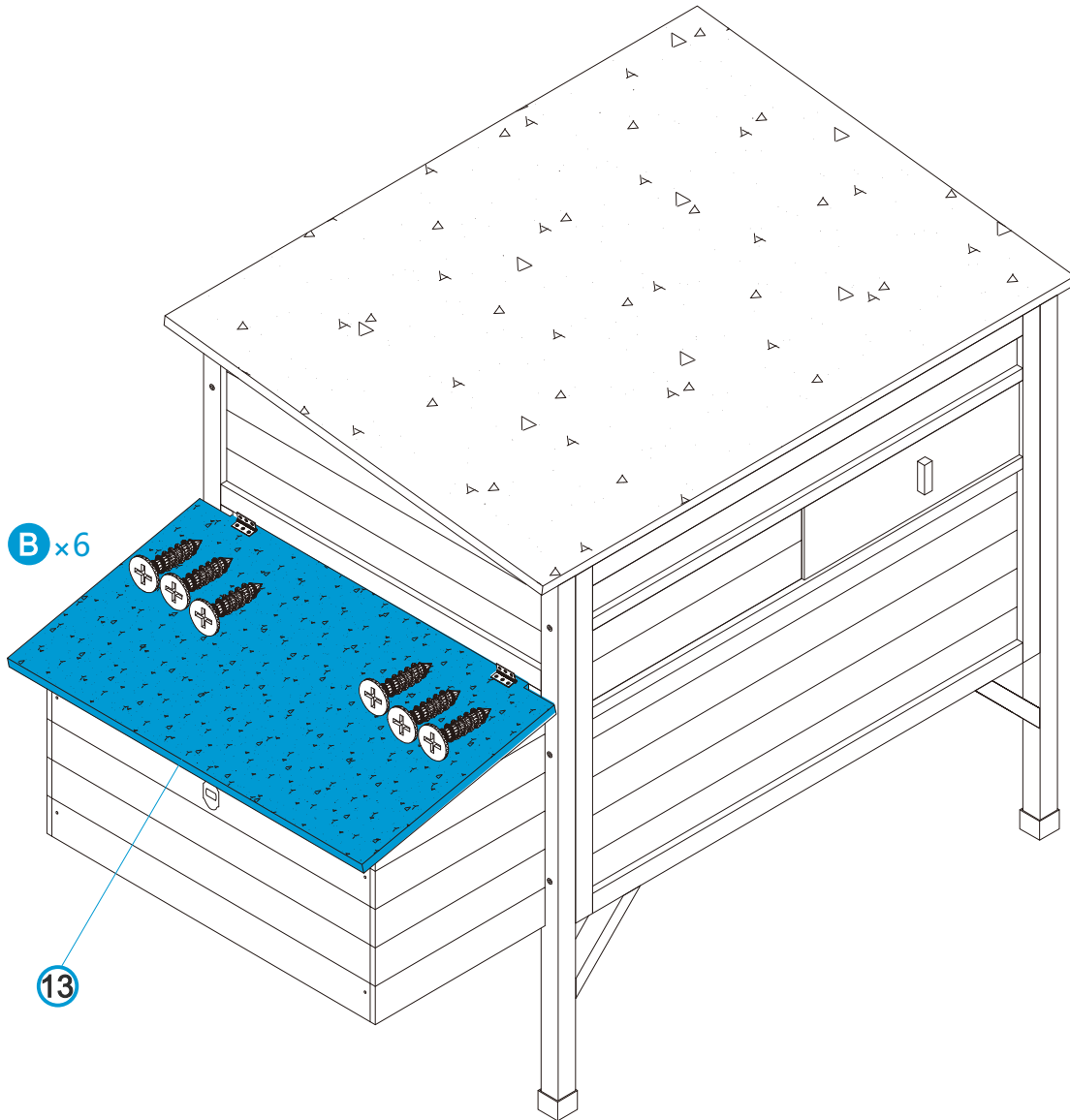
STEP 10

Put the PVC pad (Part 14) down inside and insert the divider (Part 12) in the middle.



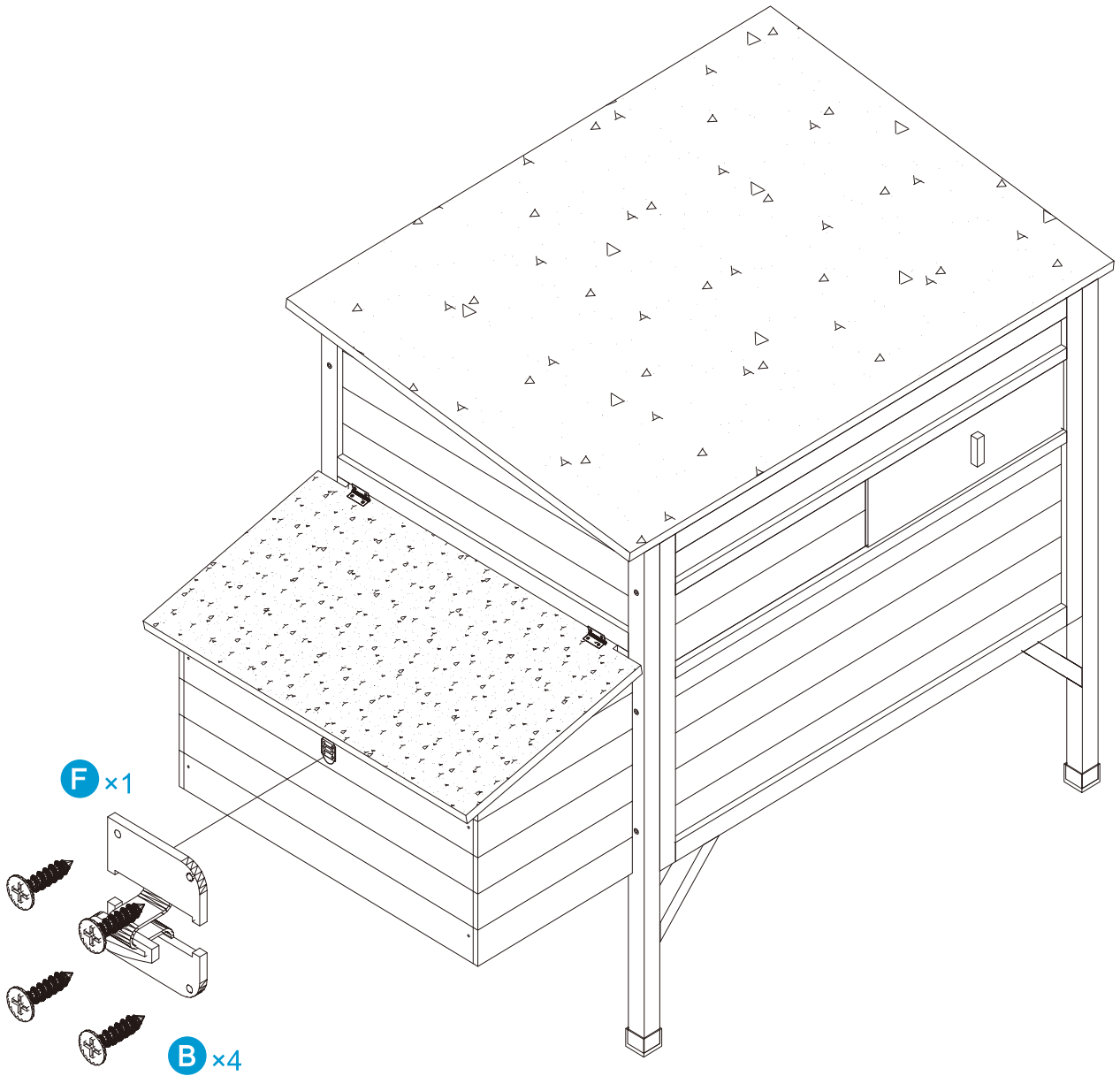
STEP 11

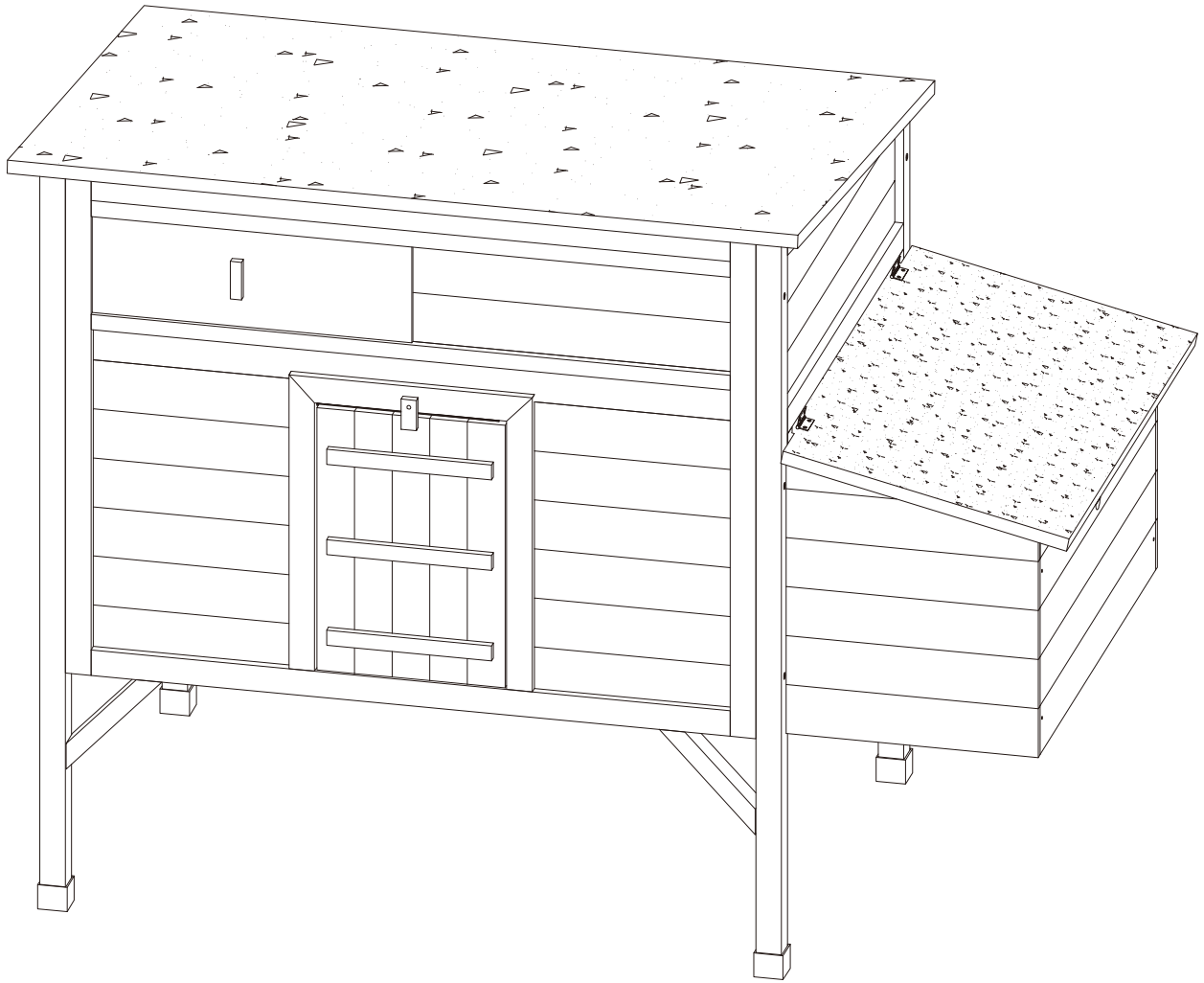
Attach the roof of nesting box (Part 13) with 3xB screws on both sides (a total of 6xB screws).



STEP 12

Attach the lock (Part F) to the roof of nesting box and the front panel of nesting box with 4xB screws.





CONGRATULATIONS
YOU ARE DONE!

PRODUCT WARRANTY INFORMATION

All items can be returned for any reason within 60 days of the receipt. All returned items for non-personal reasons will receive a full refund as long as the item is returned in its original product packaging and all accessories from its original shipment are included. The refund will be returned to the original payment method. If you have any questions about quality issue, please message us by **aftersales365@outlook.com**. Even if your order is fulfilled by Amazon, you can still contact us through the order or email **aftersales365@outlook.com**. Once confirmed, we will arrange a best solution for you and make you satisfaction.



WARNING

Manufacturer and seller expressly disclaim any and all liability for personal injury, property damage or loss, whether direct, indirect, or incidental, resulting from the incorrect attachment, improper use, inadequate maintenance, or neglect of this product.