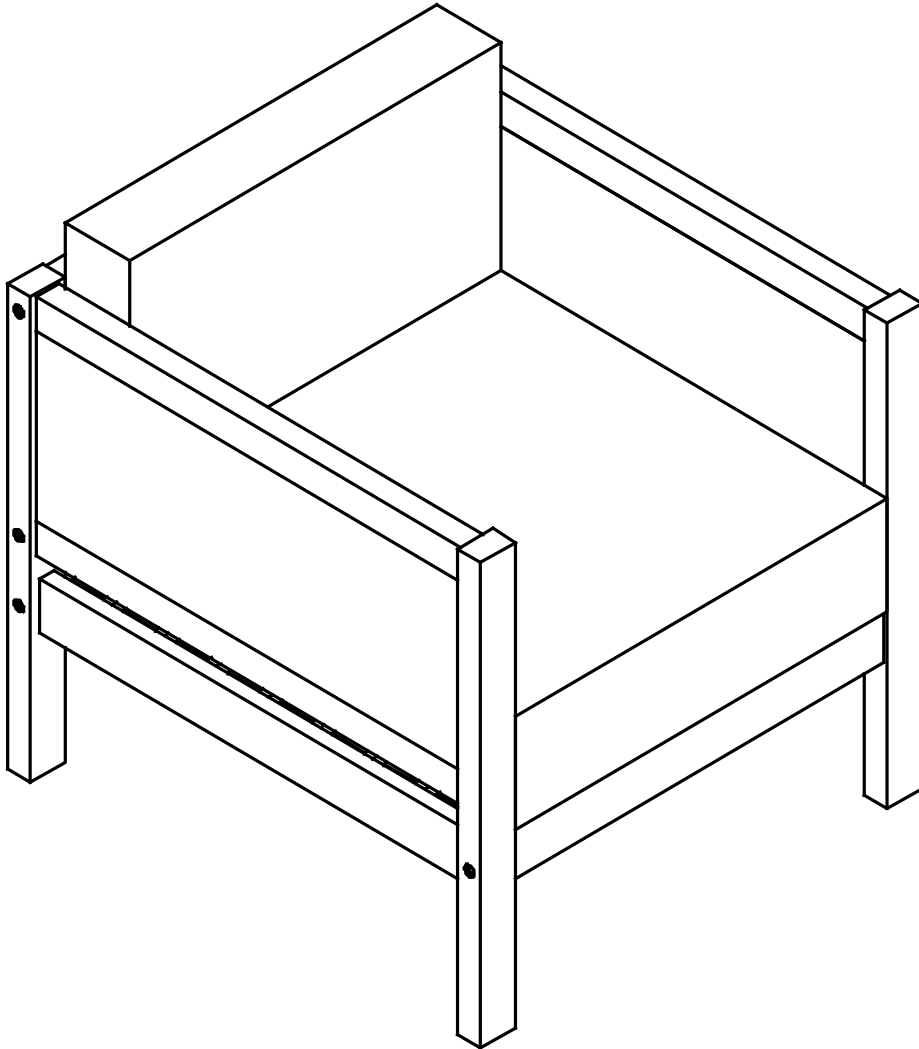


Assembly Instructions

Caution: You must read this before you proceed

Please look in the Backrest Panel for hardware packs and legs.

Chair

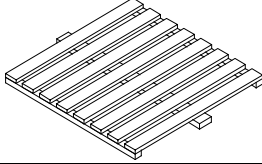
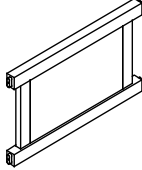
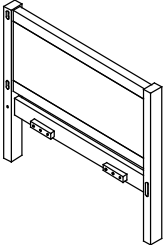
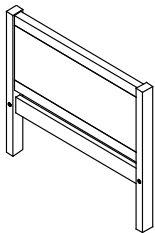
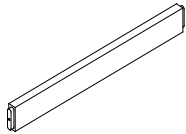
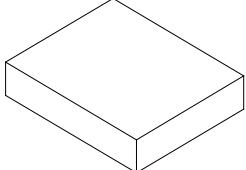
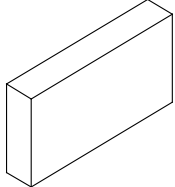


Caution: This Chair is NOT a TOY.



Keep your child/children at bay during the assembly process.

Whenever moving/lifting the Chair and to prevent damage to the Chair, two adults are required to execute these actions.

Part List

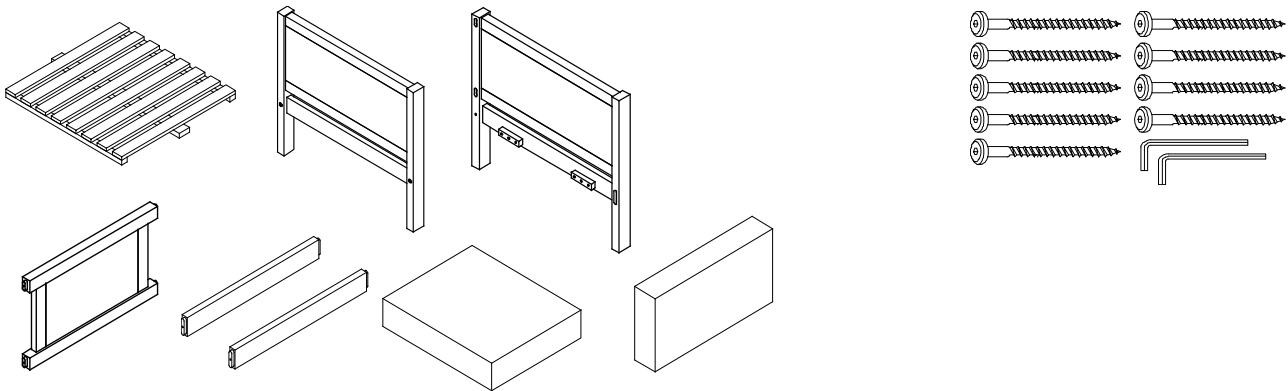
Label	Picture	Description	Qty
A		Seat Panel	1
B		Backrest Panel	1
C		Right Panel	1
D		Left Panel	1
E		Support Bar	2
F		Seat Cushion	1
G		Back Cushion	1






Hardware

No.	Picture	Description	Qty
①		Screw (M7x90)	9
②		Allen Key (M4)	2

Assembly Preparation

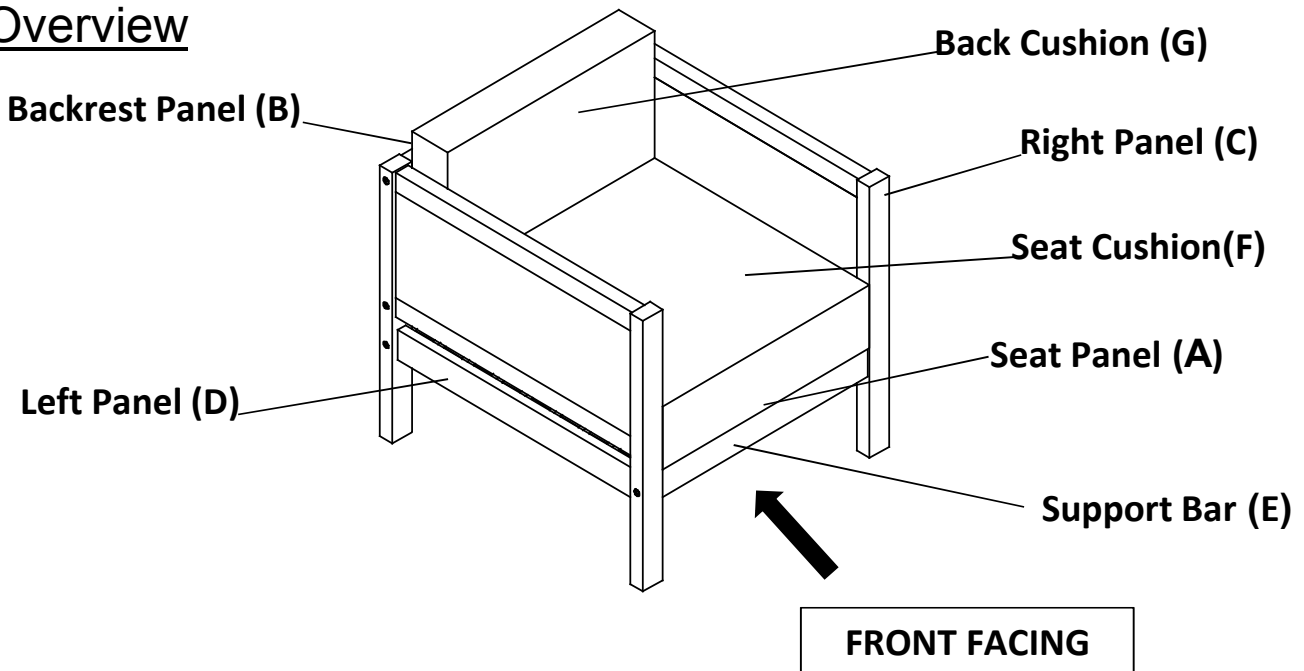
Before Beginning Assembly:



-  Read instructions, cover to cover.
-  Have 2 adults on hand for assembly.
-  Do not assemble on flooring or carpet.
-  Assemble on a clean non-marring surface (packing foam).
-  Save all packaging until finished.

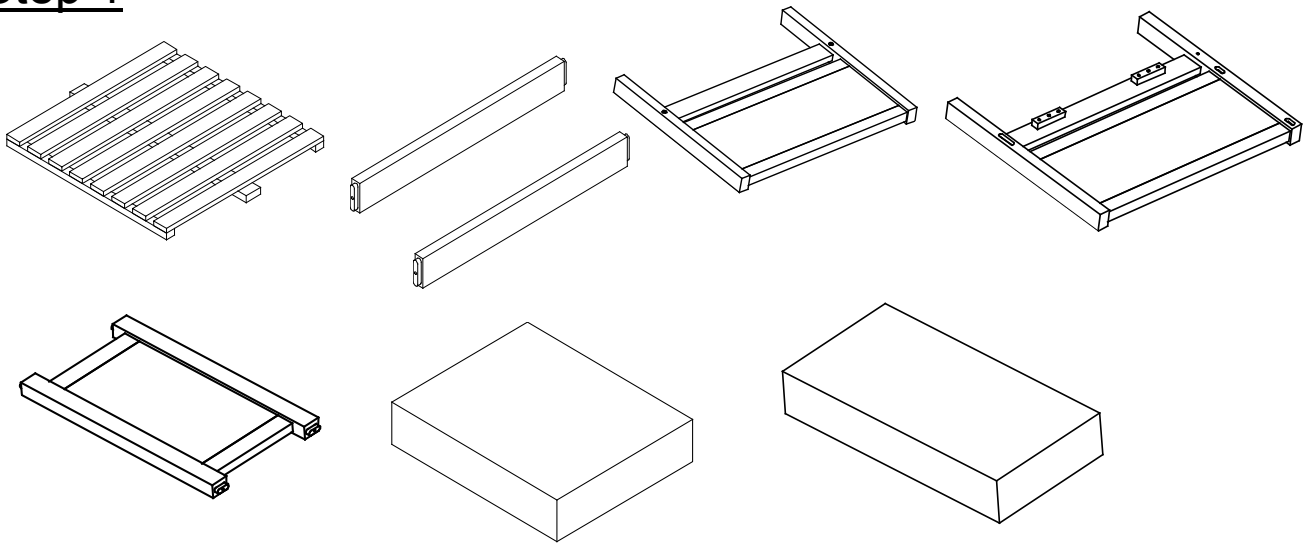
Assembly Steps

Overview



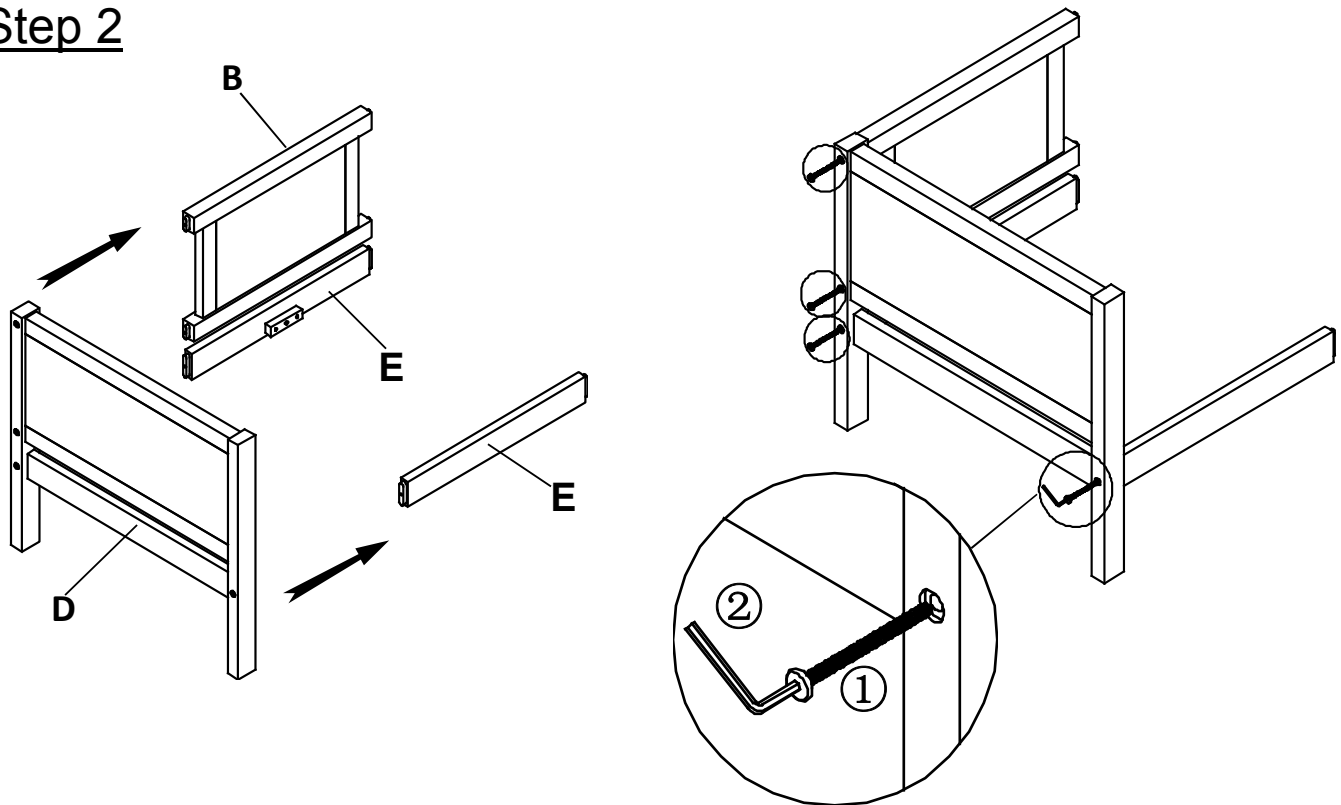
This Chair has multiple parts and may require up to 30 minutes to assemble. To give you an overview of the Chair parts, the above picture is to help you put the various parts into perspective. Please read through the instructions below to familiarise yourself with the parts and steps before assembly.

Step 1



Unpack and place all parts on a clean, non-marring surface.

Step 2

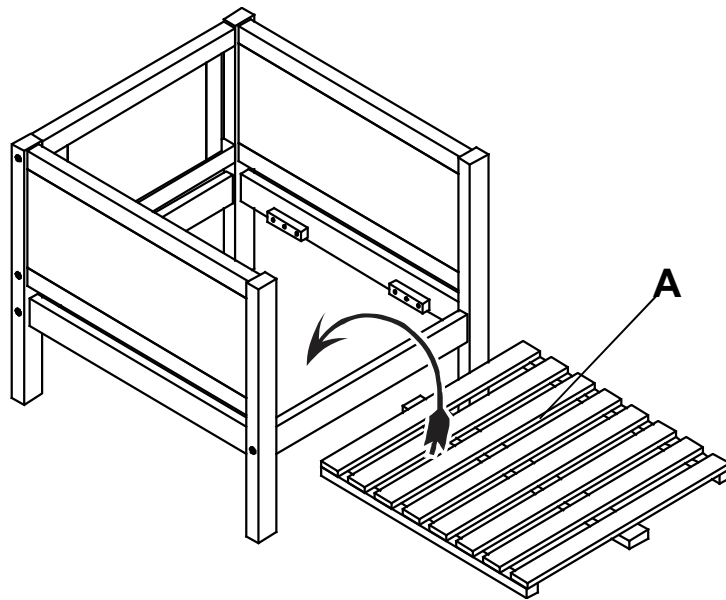


With the help of your adult partner, insert tenons of Backrest Panel (B) and Support Bar (E) into the mortises of the Left Panel (D) using Screw (①) with Allen Key (②) as shown in picture above.

Repeat the same process with the Right Panel (C)

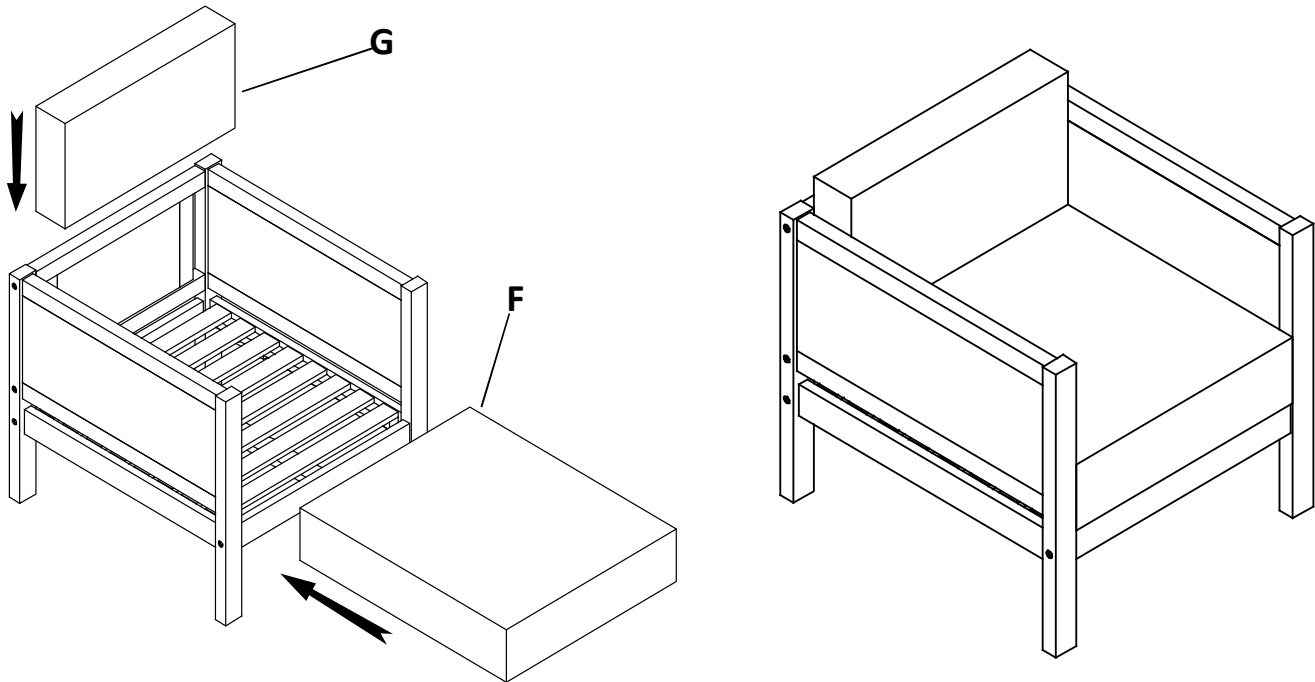
Do not fully tighten Screws.

Step 3



Insert Seat Panel (A) into assembled on step 2 as pictured above.

Step 4












Place Seat Cushion (F) and Back Cushion(G) onto the Chair
Then EXERT pressure, floorwards onto theChair with both hands.
This pressure will help theChair reach full alignment at all joints.
In a sequential manner, gradually tighten alScews at all joints until evenly secured.
Inspect theChair and make sure all parts are adequately connected.

Your Chair is ready for use.

This Chair can only be used on a flat, level surface.

Care & Maintenance

-  ● Do not put hot items directly on furniture surface
 -  ● Do not clean furniture with harsh cleansers or polish.
 -  ● To obtain the longest lifespan of your outdoor products, minimizing exposure to direct sunlight is recommended.
 -  ● Children should not climb or jump on the furniture.
 -  ● Do not write on furniture without a padded barrier to protect the surface.
 -  ● To obtain the longest lifespan of your outdoor products, avoid extended and lengthy exposure to rain, snow, and direct sunshine. Whenever possible cover the product and /or place under patio or awnings.
 -  ● Not for commercial use. For residential use only .
 -  ● Stains may be removed with mild soap solution and damp cloth.
-
-  ● Dust and pick-up spills using a clean, non-colored, lint-free cloth .