

ASSEMBLY INSTRUCTIONS



CAUTION

◆ Inspect the wire insulation for any cuts, abrasions, or exposed copper that may have resulted during shipping. If there is a defect in the wire, do not attempt installation.

◆ Before starting installation of this fixture or removal of a previous fixture, disconnect the power by turning off the circuit breaker or by removing the fuse at the fuse box.

TOOLS REQUIRED



Ladder



Safety glasses



Electrical tape



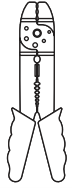
Phillips screwdriver



Flat blade screwdriver

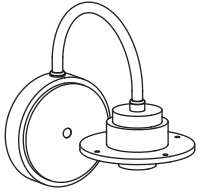


Pliers

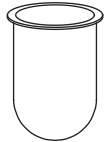


Wire strippers

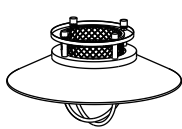
HARDWARE INCLUDED



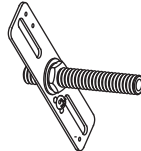
Fixture



Glass Shade



Shade



Mounting Unit



Rubber Ring



Ball Nut



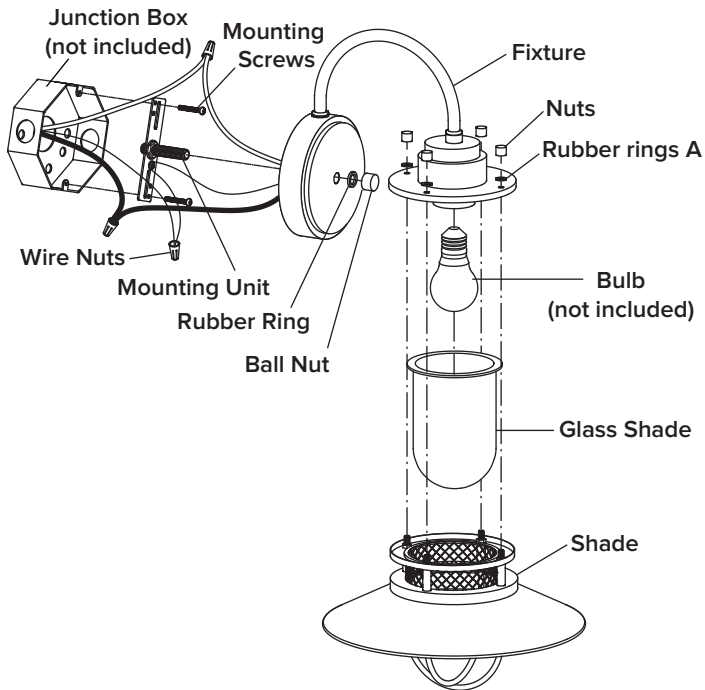
Mounting Screws



Wire Nuts

* PARTS SHOWN MAY DIFFER SLIGHTLY PER LIGHT FIXTURE

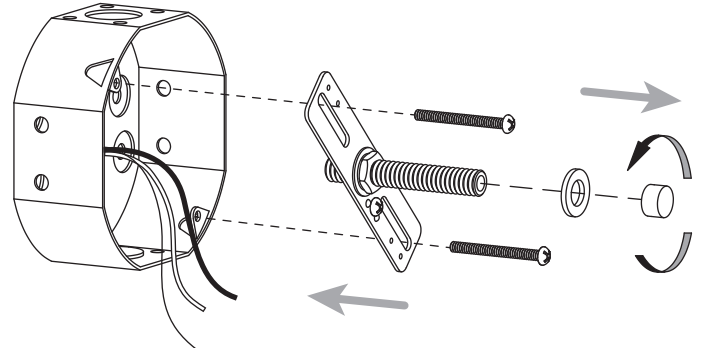
EXPLODED PARTS



INSTALLATION

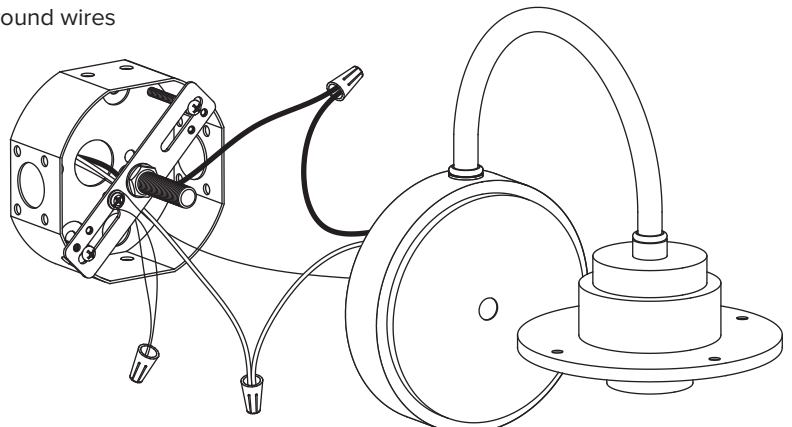
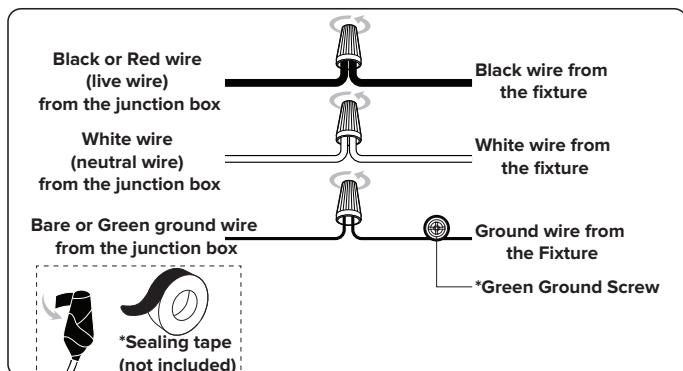
STEP 1

Unscrew the **ball nut** and **rubber ring** from the **mounting unit**. Use the **mounting screws** to attach the **mounting unit** to the junction box (not included).



STEP 2

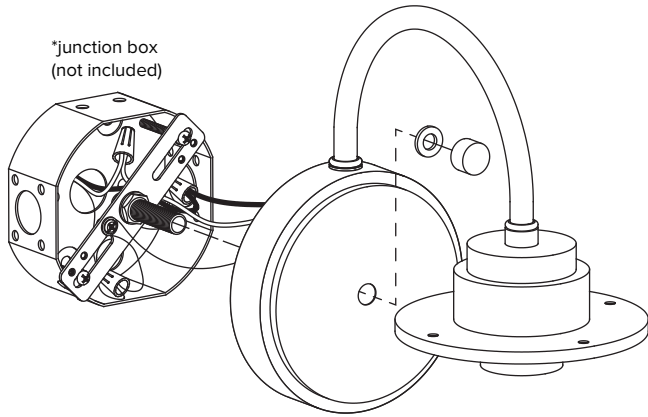
Make the electrical connection from the junction box (not included) to the **fixture**. Connect the ground wire to the **mounting unit** using the preinstalled green ground screw. Next, connect the live wire, neutral wire and ground wires with the supplied **wire nuts**. Secure with electrical tape.



STEP 3

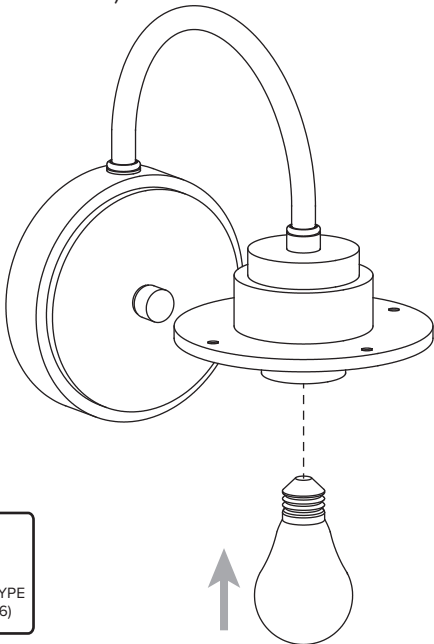
Attach the **fixture** to the **mounting unit** through screw holes as shown, and secure it with **rubber ring** and **ball nut**.

NOTICE: Please use caulk in the back plate and wall mounting surface to prevent water from entering.



STEP 4

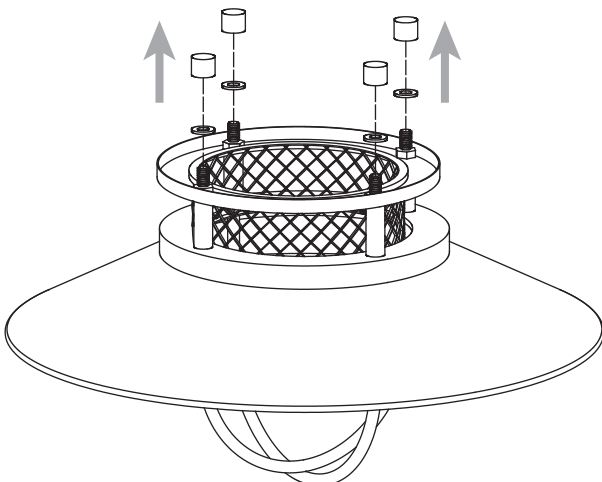
Install bulb (not included).



STEP 5

Remove the **rubber rings A** and **nuts** from the **shade**.

* Rubber rings must be removed or may cause water leaking!



STEP 6

Attach the **shade** and **Glass Shade** to the **fixture** through screw holes as shown, and secure it with **rubber rings A** and **nuts**.

