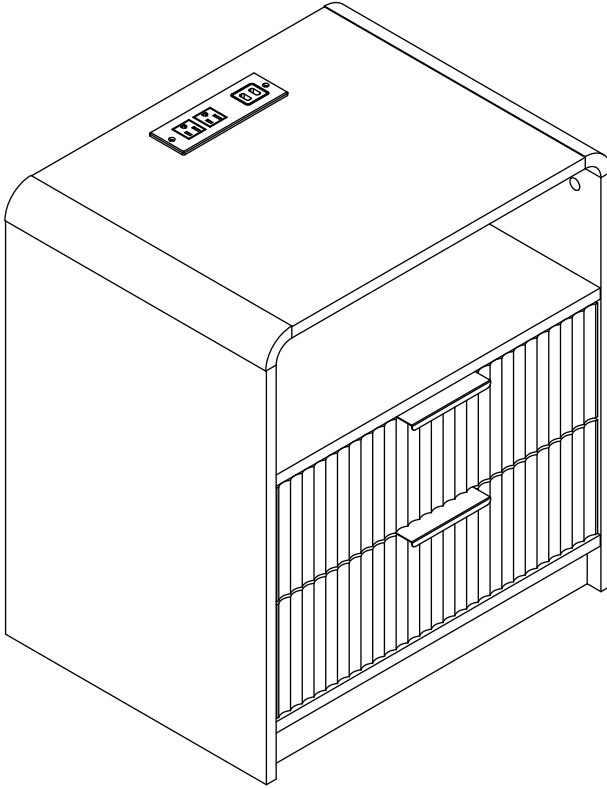


Instruction



REMARK

We kindly recommend that you check the quantity and condition of the panels and accessories upon receiving the product, as outlined in the instruction manual. If you find any missing parts, damages or encounter assembly issues, please feel free to contact us, and we will be happy to assist you within 24 hours.



IMPORTANT INFORMATION

READ CAREFULLY.

KEEP THIS INFORMATION FOR FURTHER REFERENCE.

GENERAL GUIDELINES

- Please read the following instruction carefully and use the product accordingly.
- Please keep this manual and hand it over when you transfer the product.
- This summary may not include every detail of all variations and considered steps. Please **contact us** when further information and help are needed.

NOTES

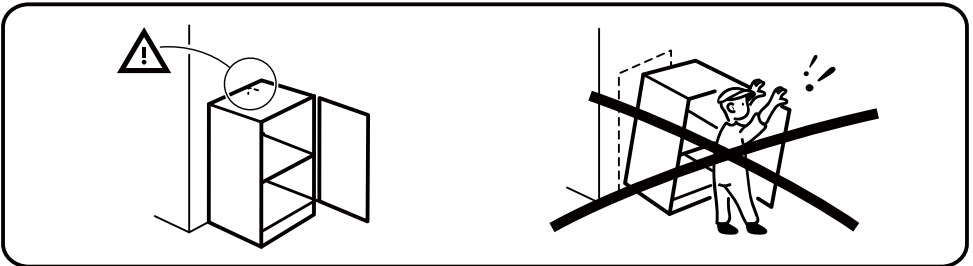
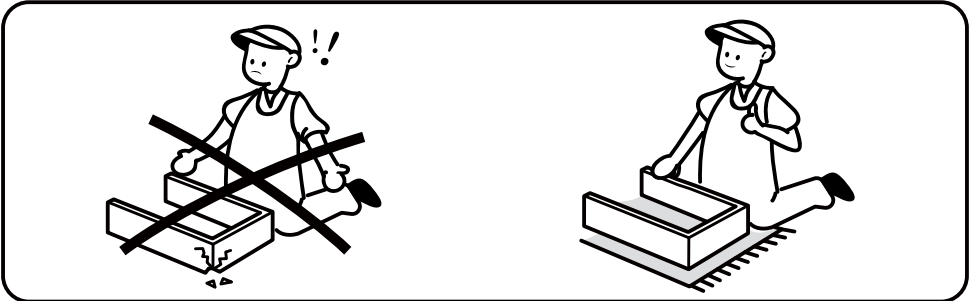
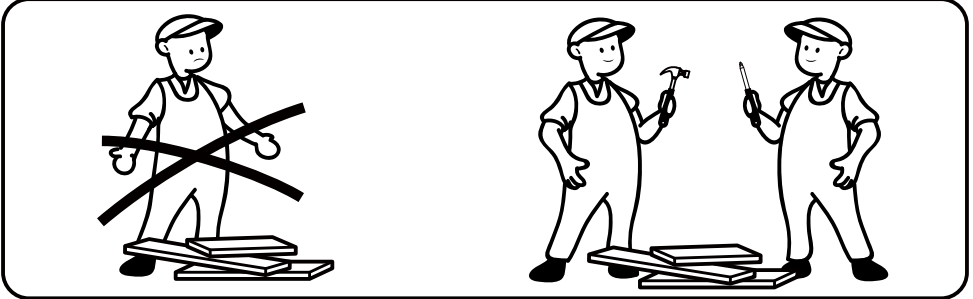
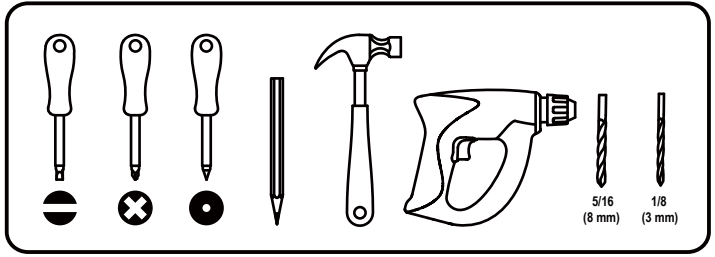
- Please follow the assembly instructions precisely and only use the product as intended.
- If an odor is present when first opening the package, please leave the unwrapped product in a shaded and ventilated area for a few days to air out.
- Prior to assembly, please check the product for defects or missing accessories. If any defects are found or accessories are missing, do not use product as damage or injury may occur; Please **contact us** for assistance and replacement.
- It is suggested you regularly check the products bolts and connections to ensure safe use.
- Assemble the item on a soft flat and clean surface to avoid scratches and damage.
- It is recommended that two people assemble this product.

WARNINGS

- During assembly, keep parts and packaging materials away from children and pets as there could cause injury and are a potential choking hazard.
- Avoid sharp objects or corrosive chemicals to prevent damage to the product.
- Please open the item slowly and cautiously to avoid pinching your hands by metal joints, especially children.

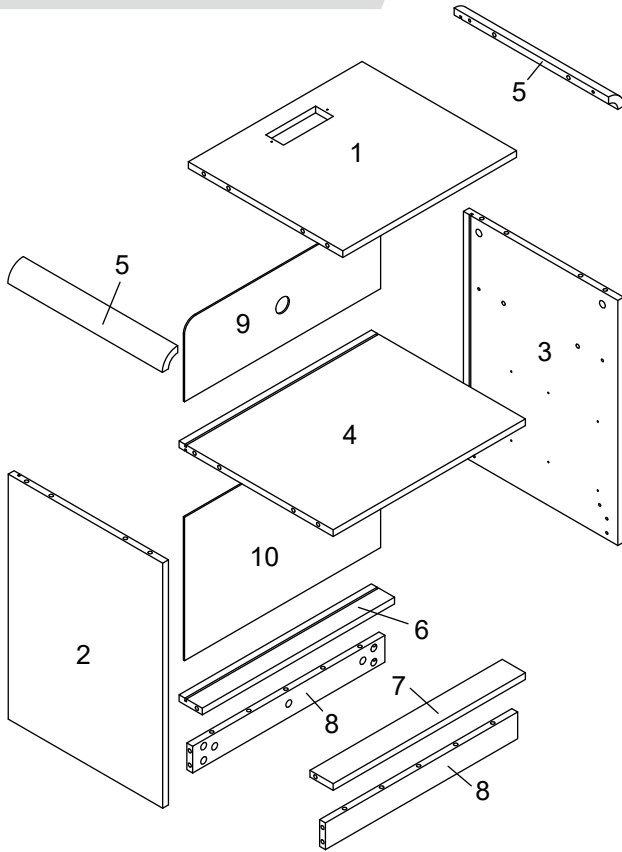
ANTI-TIP WARNING

- Serious or fatal crushing injuries can occur from furniture tip-over. To prevent this furniture from tipping over it must be permanently fixed to the wall.
- Since different wall materials require different types of fixing device, for advice on suitable fixing systems, contact your local specialized dealer.



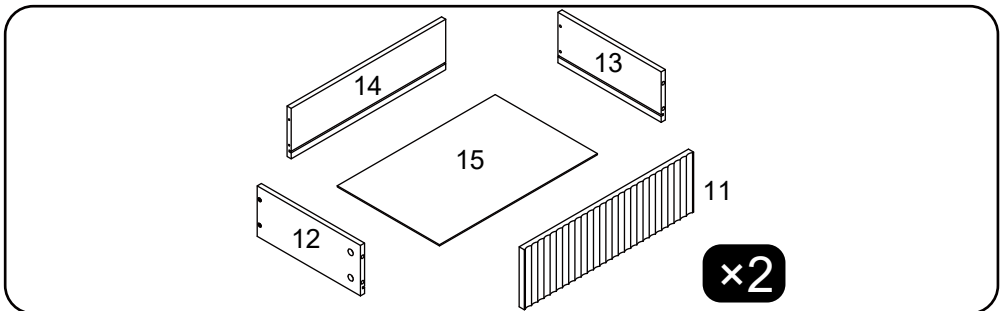
- Before installation, please make sure you have all the hardware, the serial numbers are properly labeled corresponding to the list, and the quantity is correct.
- If there are missing accessories or any quality problems or installation problems, please contact our professional customer service first, and we will reply ASAP. Please do not return the product without authorization. If you return it by yourself, you should bear the corresponding labeling fee.
- Enjoy your new purchase!

EXPLODED DRAWING

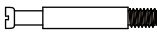



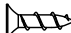
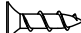
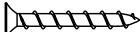
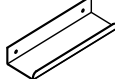

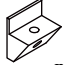








REMARK

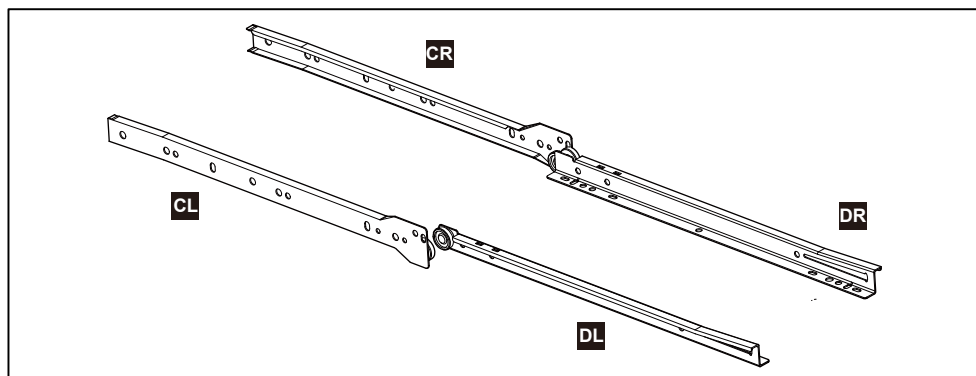
Please do not install the No. 12 and No. 13 boards backward. The No. 12 board is on the left side of the drawer and the No. 13 board is on the right side.



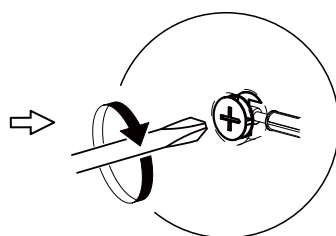
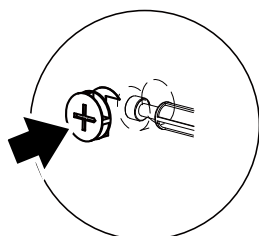
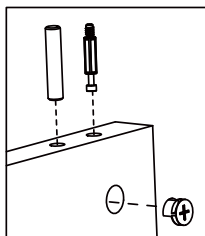
PARTS

 <p>A X38+5</p>	 <p>B X38+5 Ø15</p>	 <p>C X16+1 Ø8X30</p>
 <p>D X2</p>	 <p>E X6+1 Ø3X12</p>	 <p>F X24+2 Ø3.5X14</p>
 <p>G X8+1 Ø4X35</p>	 <p>H X2</p>	<p>I X12+1</p>
 <p>J X38+5</p>	 <p>K X1</p>	 <p>L X1</p>
 <p>CL</p> <p>+</p>  <p>DL</p> <p>+</p>  <p>DR</p> <p>+</p>  <p>CR</p>	 <p>CR</p>	

REMARK

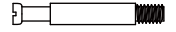


MINIFIX POSITION



1

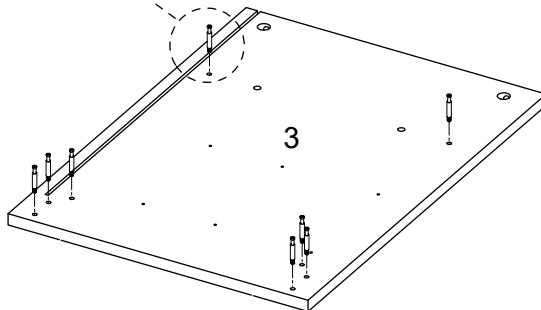
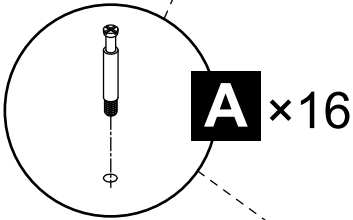
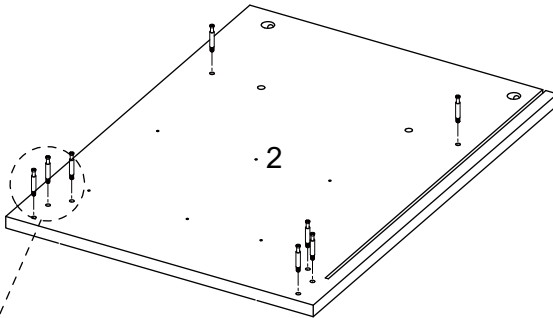
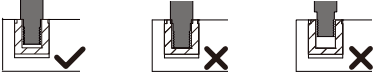
A X16



We kindly recommend that you check the quantity and condition of the panels and accessories upon receiving the product, as outlined in the instruction manual. If you find any missing parts, damages or encounter assembly issues, please feel free to contact us, and we will be happy to assist you within 24 hours.

REMARK

1. Please do not screw **A** too deep or too shallow.

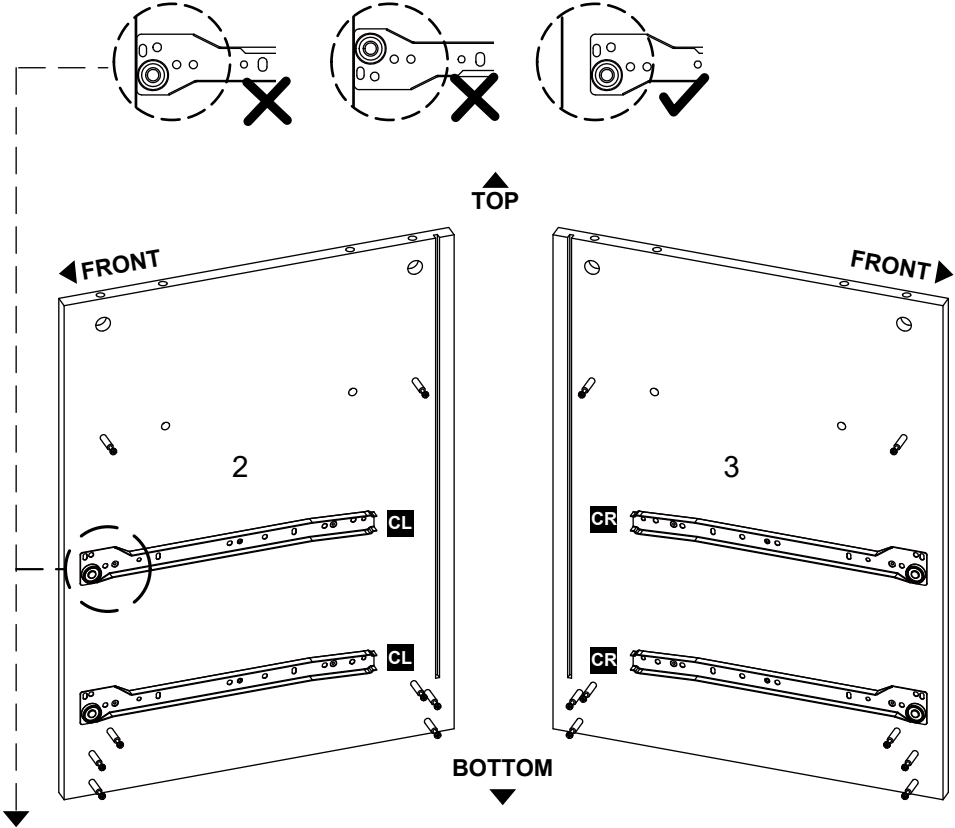


2

	F X12 Ø3.5x14		CL X2		CR X2
---	-------------------------	---	--------------	---	--------------

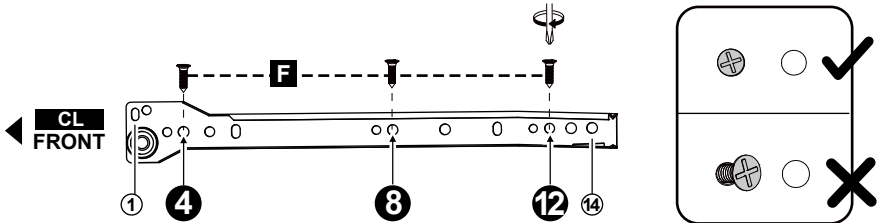
REMARK

Please do not install the No. 2 and No. 3 boards backward. The No. 2 board is on the left side of the dresser and the No. 3 board is on the right side. Also, please do not reverse the slide rails.

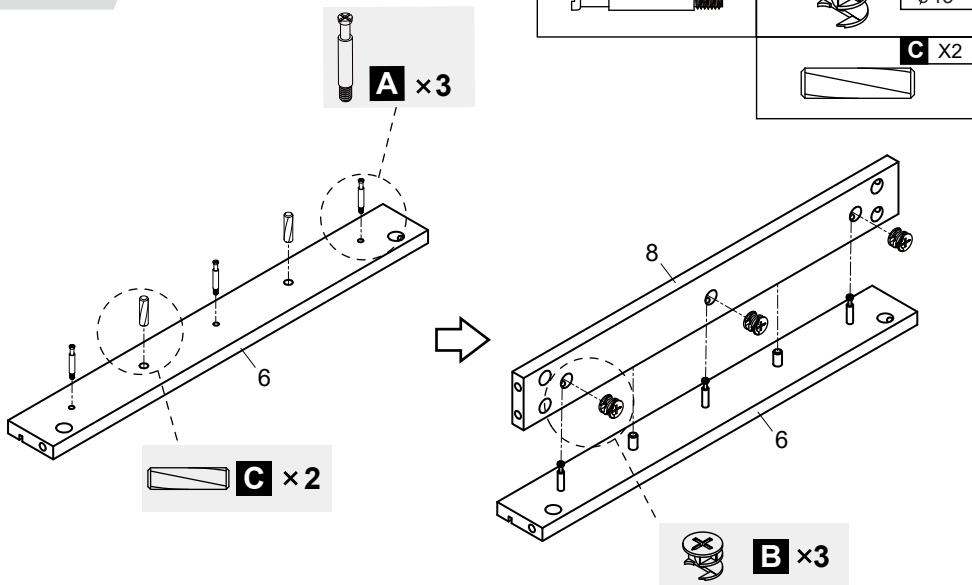


REMARK

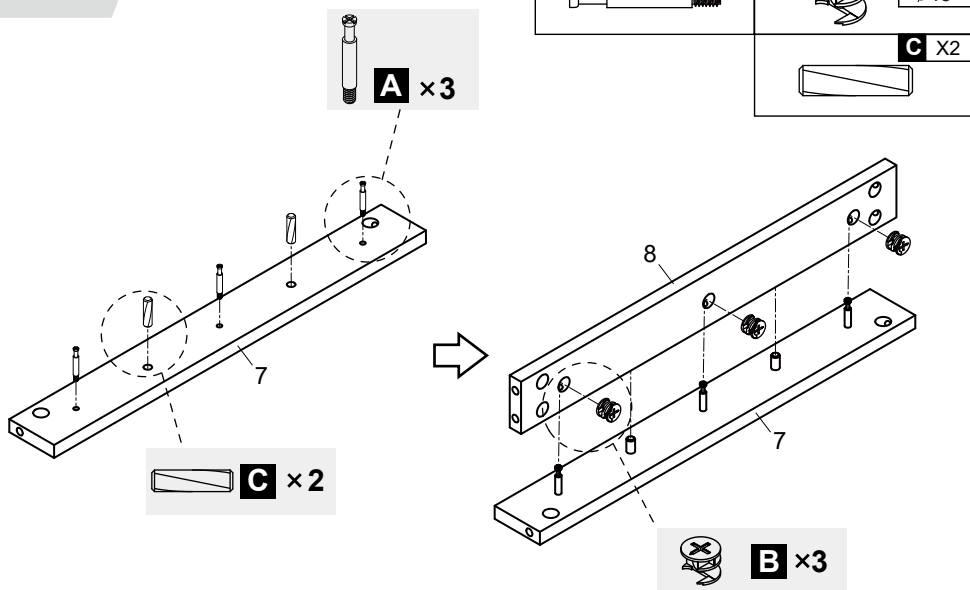
When installing, please make sure the screws are flattened, Not crooked; Otherwise the drawers will not be installed perfectly.



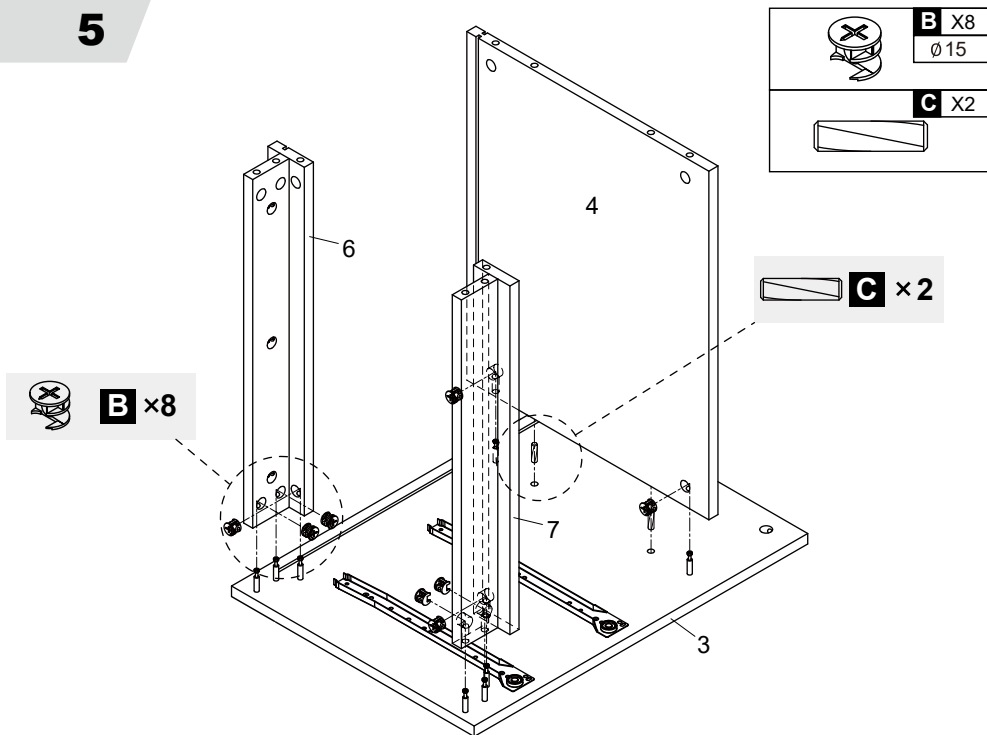
3



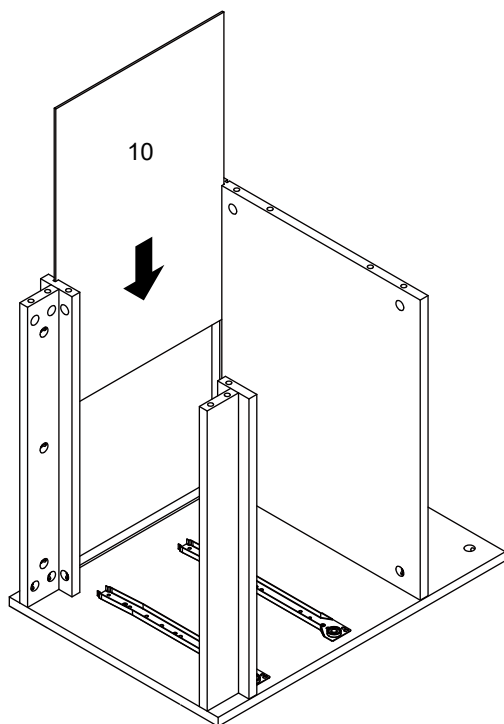
4



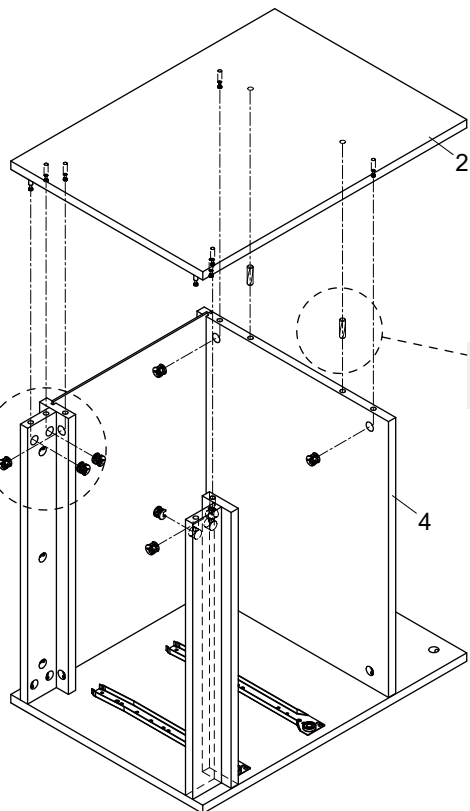
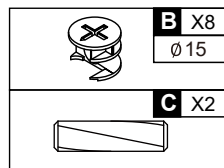
5



6



7

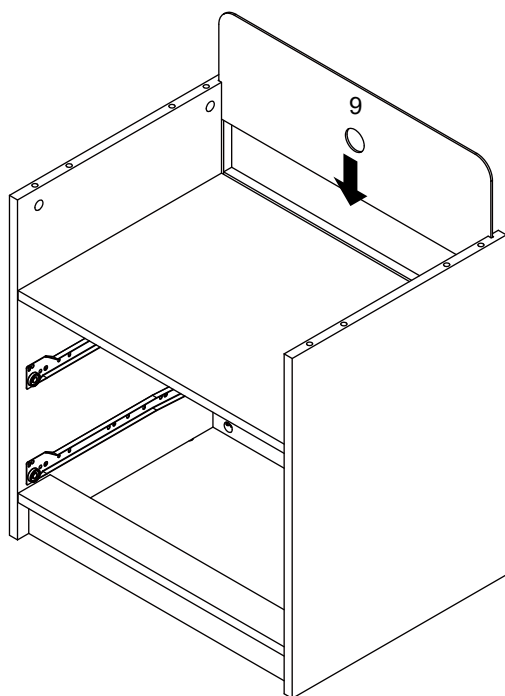


B x8

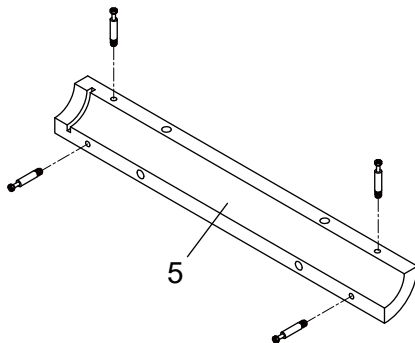
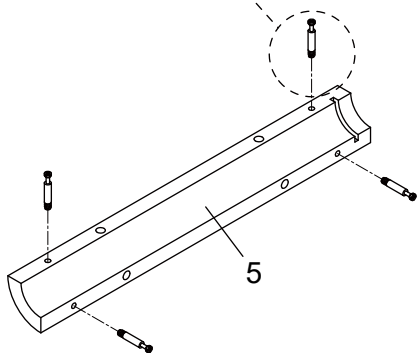
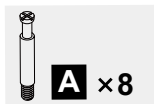
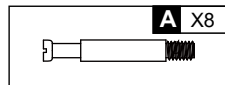


C x2

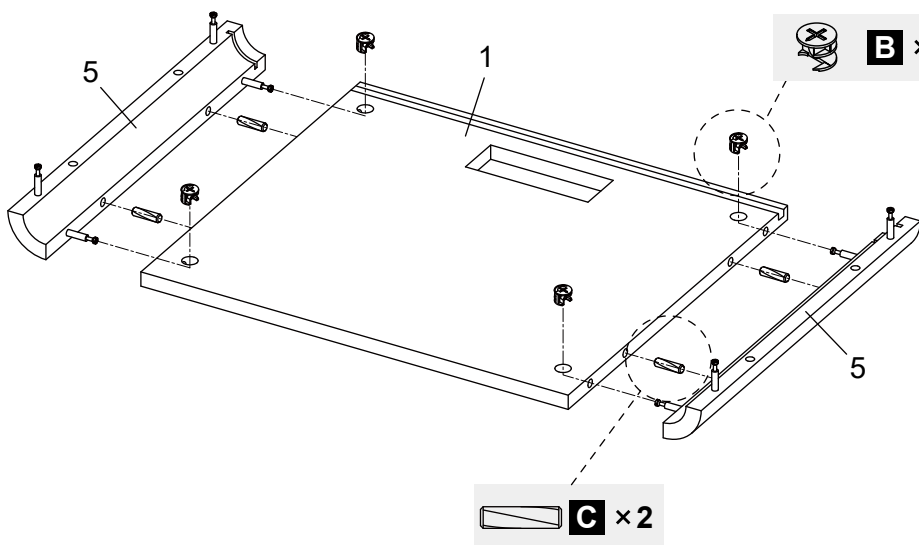
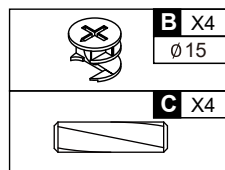
8



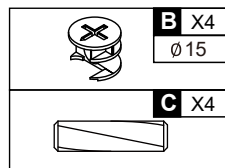
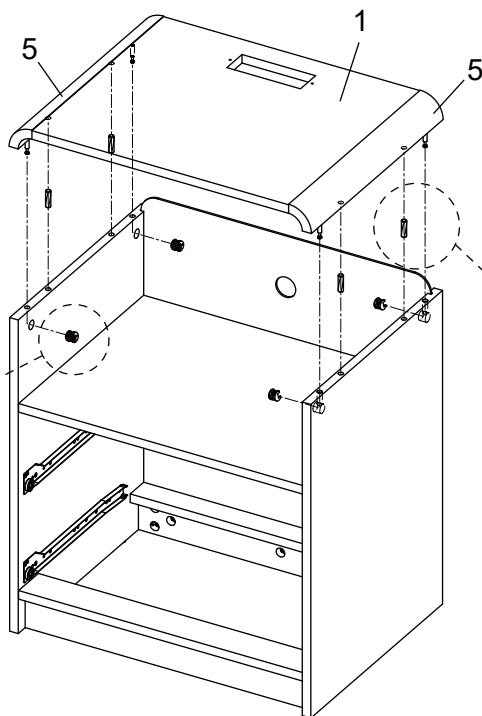
9



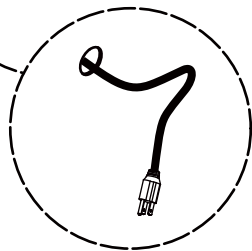
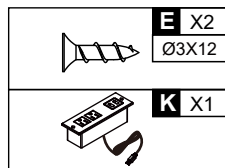
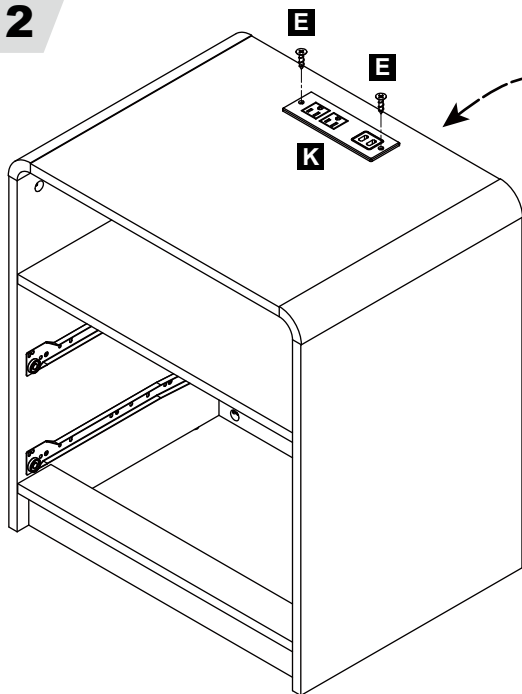
10



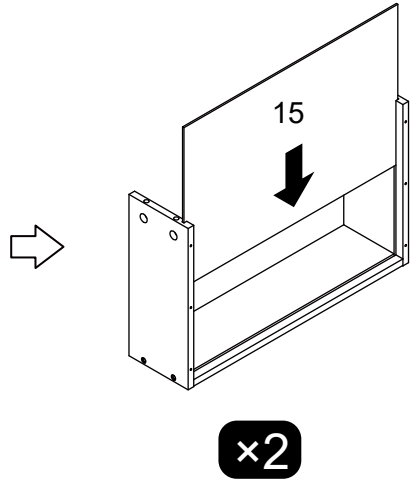
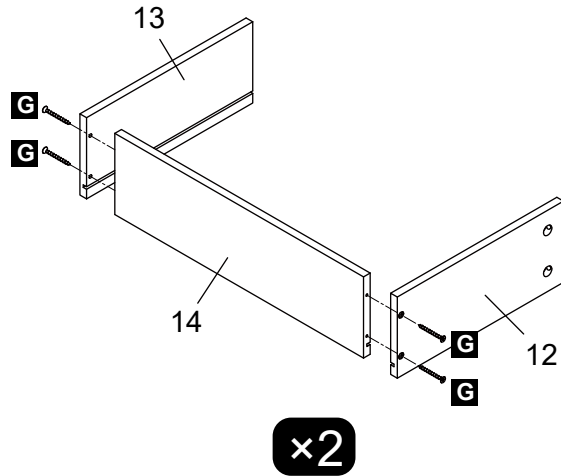
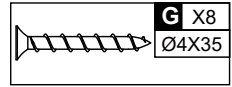
11



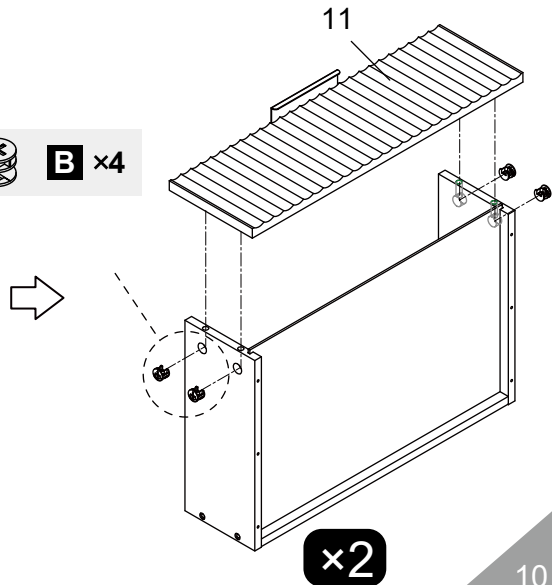
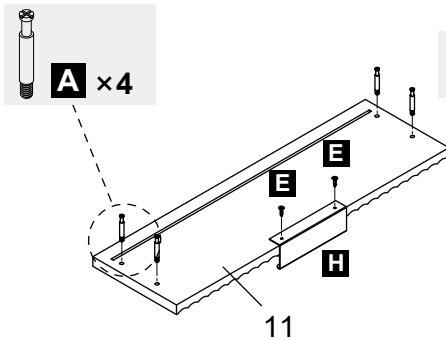
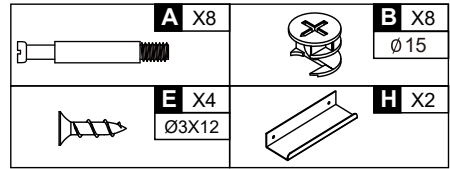
12



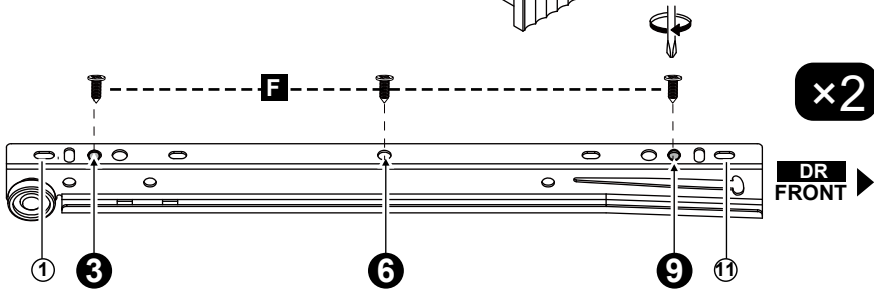
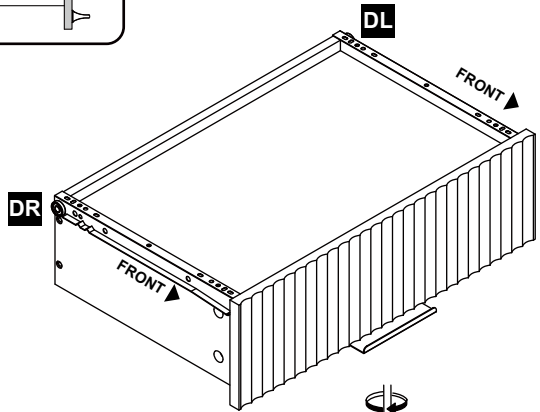
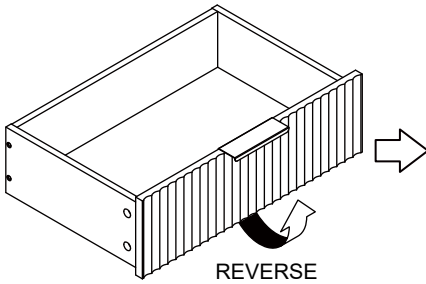
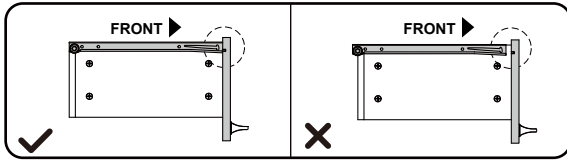
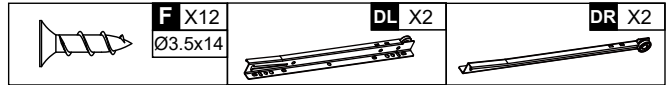
13



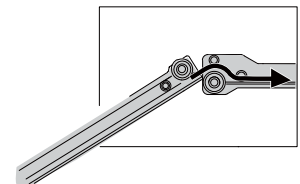
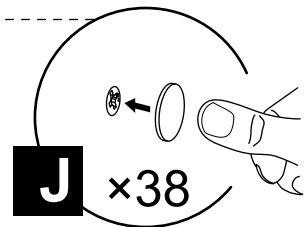
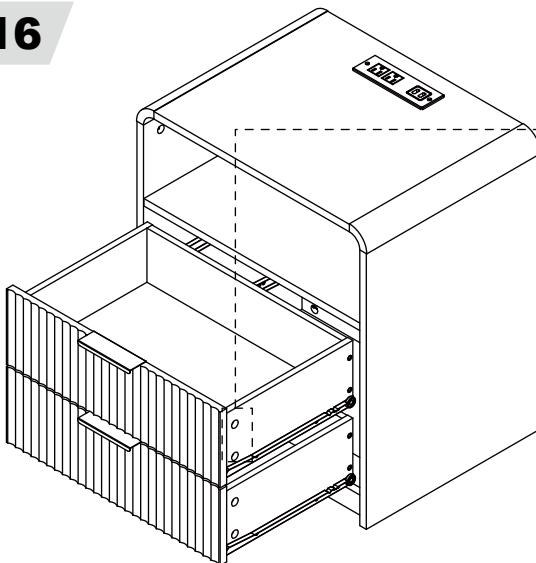
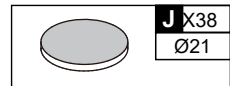
14



15



16



17

