

General Guidelines

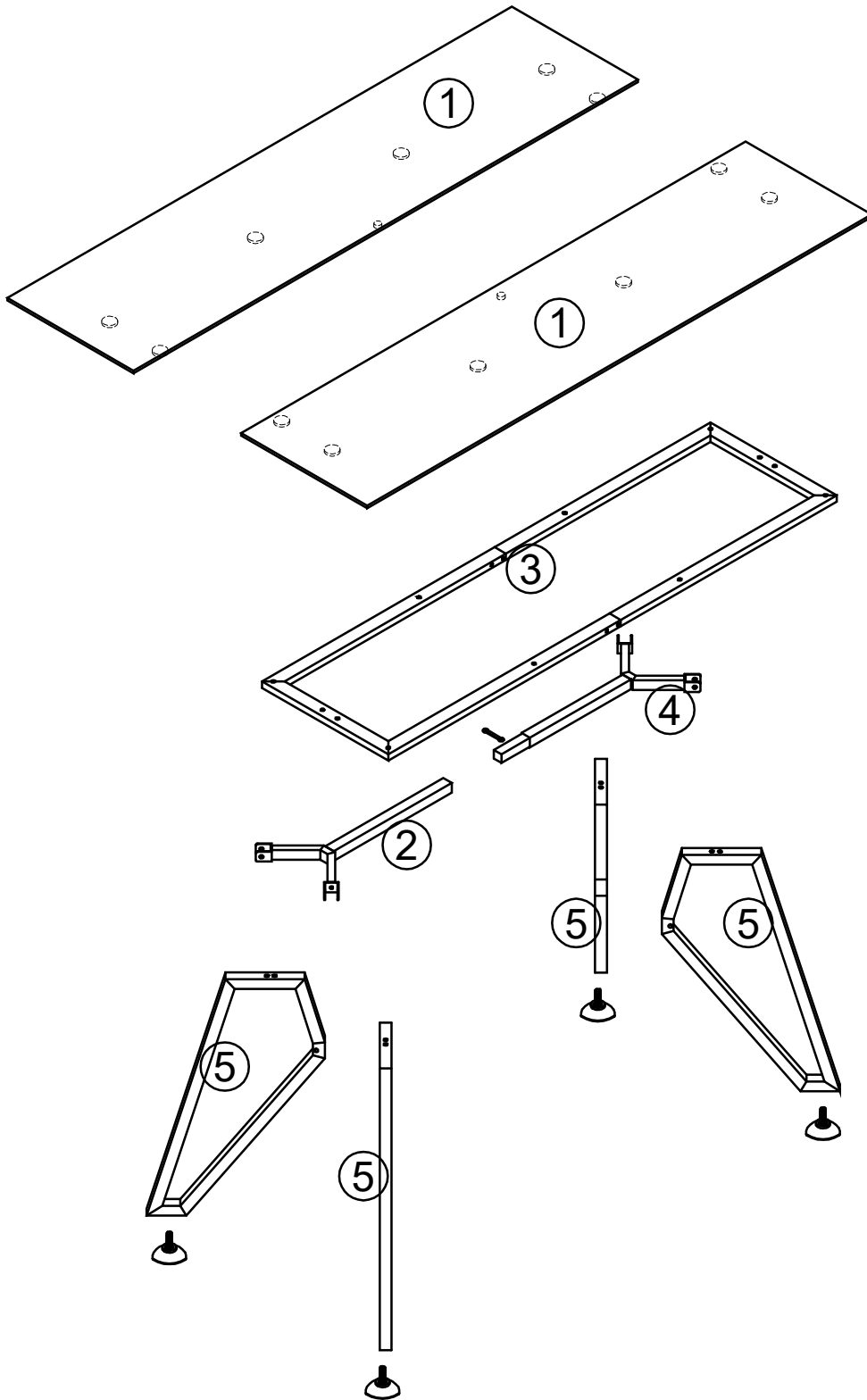
- Please read the following instructions carefully and use the product accordingly
- Please keep this manual and hand it over when you transfer the product.
- This summary may not include every detail of all variations and considered steps. Please contact us when further information and help are needed.

Notes

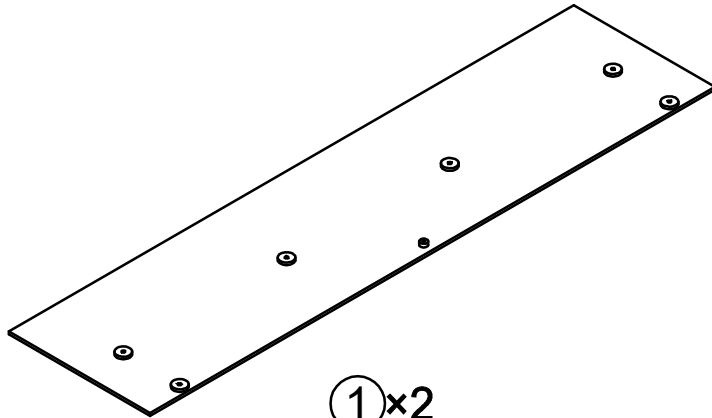
- The product is intended for indoor use only. The product must be assembled and used in accordance with the provisions of the manual. Personal injury and/or damage to product may occur if it used outside of its intended purposes and/or if it has been changed/modified from its original design.
- The seller does not assume any responsibility or liability for any injury/damage caused by incorrect assembly or improper use.
- Keep the product away from fire sources and high temperatures.
- Do not place any hot objects on the surface of the product.
- If there are any defective or missing parts after unpacking, please cease assembly immediately and contact us.
- Please assemble the item on a spacious surface and do not place the unwrapped product directly on the ground to avoid product damage.
- Please wear gloves during the assembly and/or disassembly process to avoid scratches from any sharp edges.
- Please match the corresponding part and fitting based on the part number in the manual.
- If the part does not match with the fitting, please check the piece as specified in this manual.
- During assembly, first loosely align all screws with the corresponding pre-drilled holes and then tighten the screws one by one.
- Periodically inspect screw tightness while the product is in use. if necessary, retighten to ensure structural integrity.
- Please keep the product away from sharp, pointed objects and corrosive substances to prevent product damage.
- Please place this item on level, solid ground during use.

Warnings

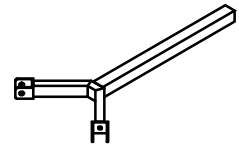
- During assembly, keep all small parts out of the reach of children. it may be fatal if swallowed or inhaled.
- To avoid the potential dangers of suffocation, please keep all parts and packaging (film, plastic bags, foam, etc.) away from babies and children.
- Keep sharp objects and corrosive items away from the product to avoid any damage or injury.



Part list

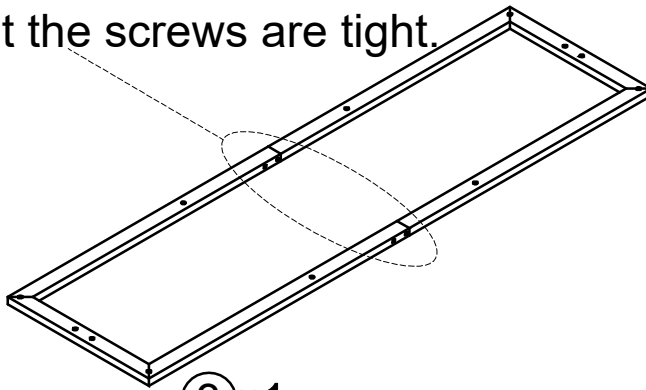


①×2

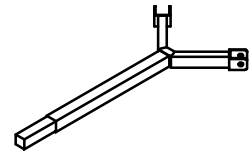


②×1

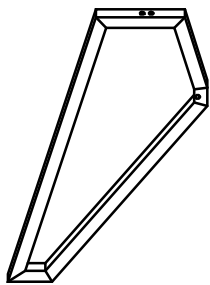
Check that the screws are tight.



③×1

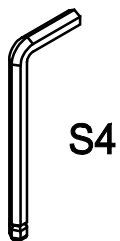


④×1



⑤×4

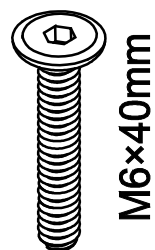
Hardware list



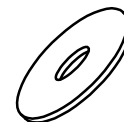
Ⓐ×1



Ⓑ×4+1



Ⓒ×8+1



Ⓓ×20+2



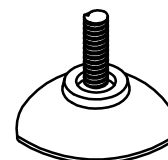
Ⓔ×12+1



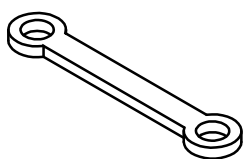
Ⓕ×4+1



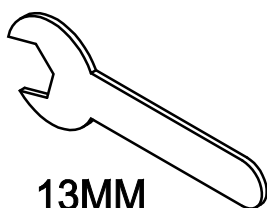
Ⓖ×4+1



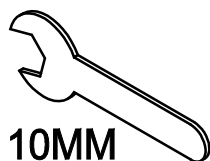
Ⓖ×4



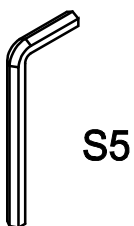
Ⓘ×1



Ⓙ×1

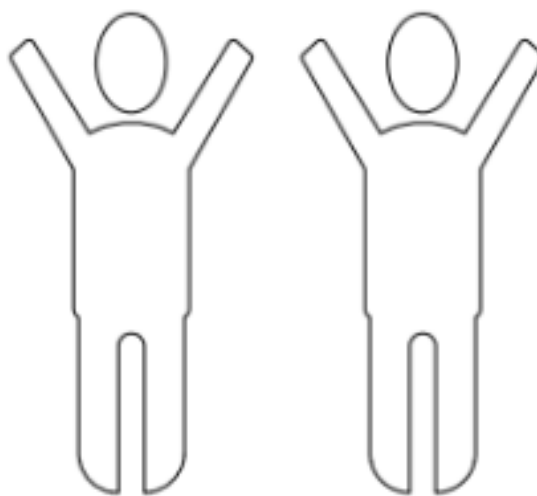


Ⓚ×1



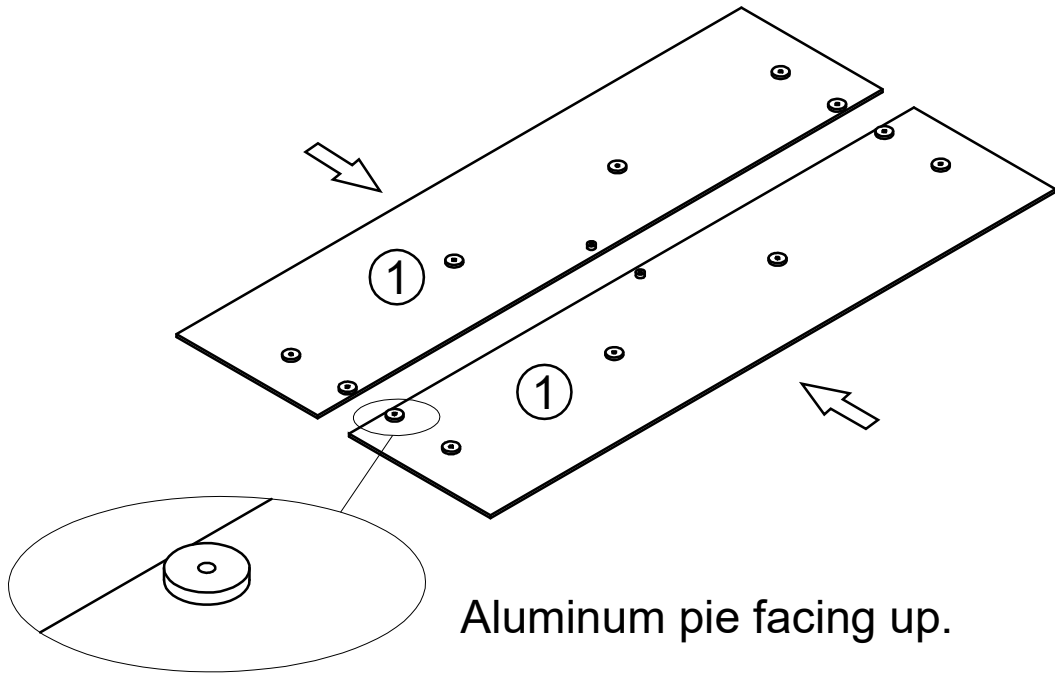
Ⓛ×1

Requires

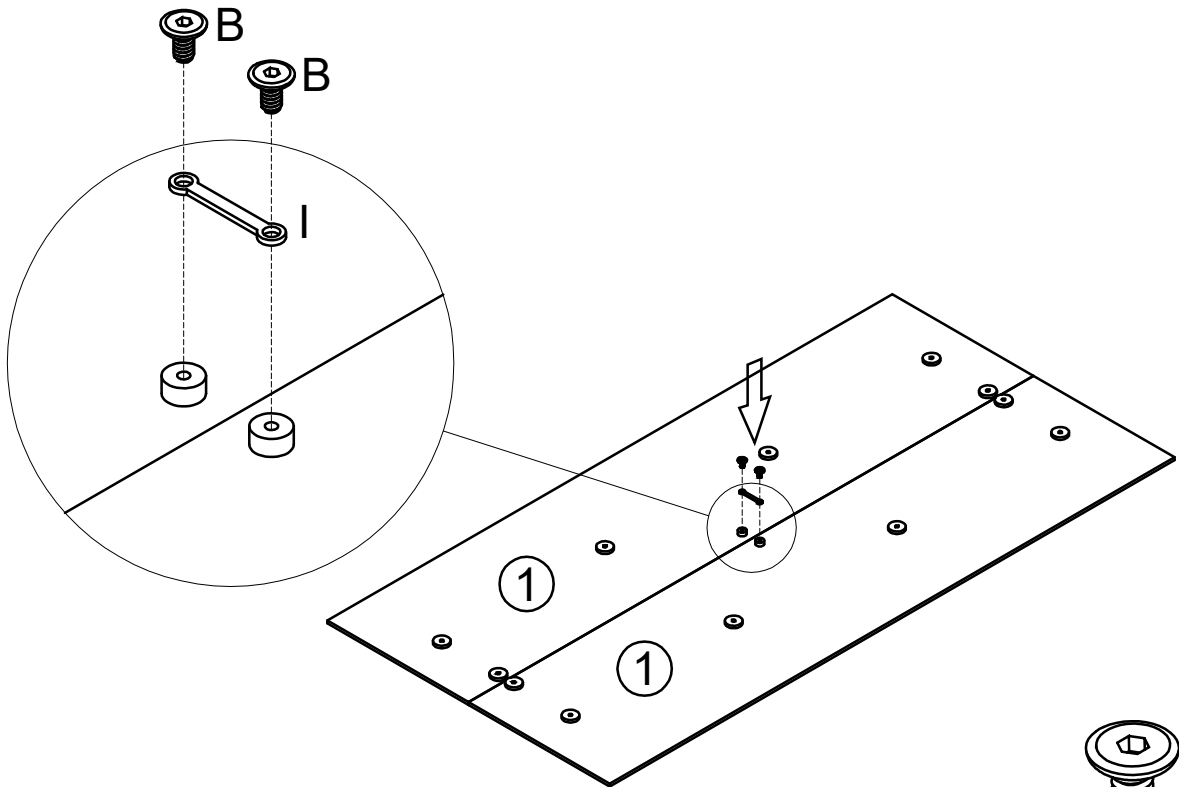


1

This step requires a clean, level surface.



2



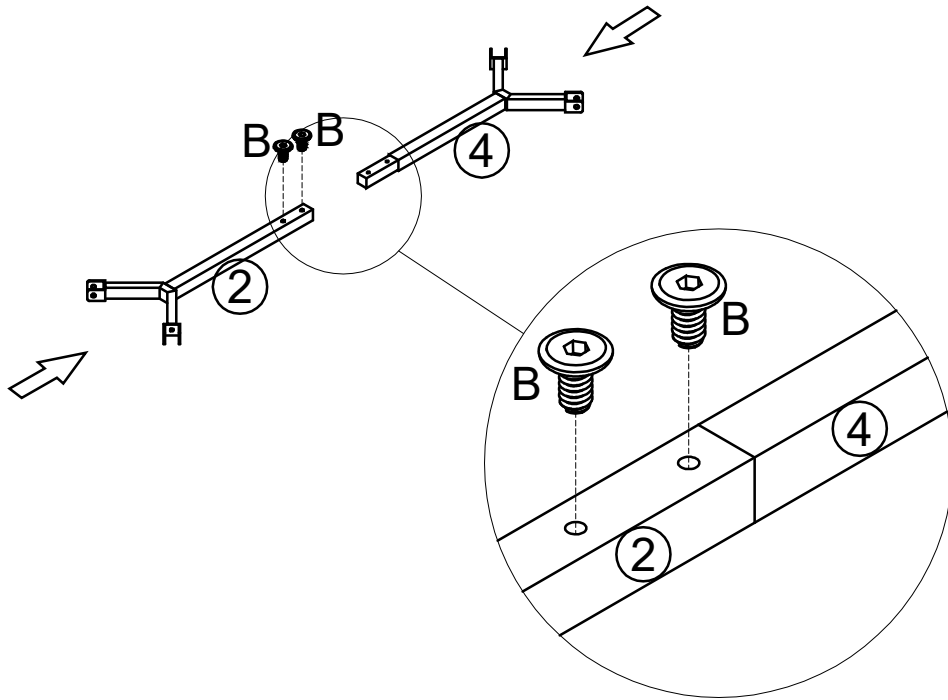
Don't leave a gap between glass and glass.



M6x8mm

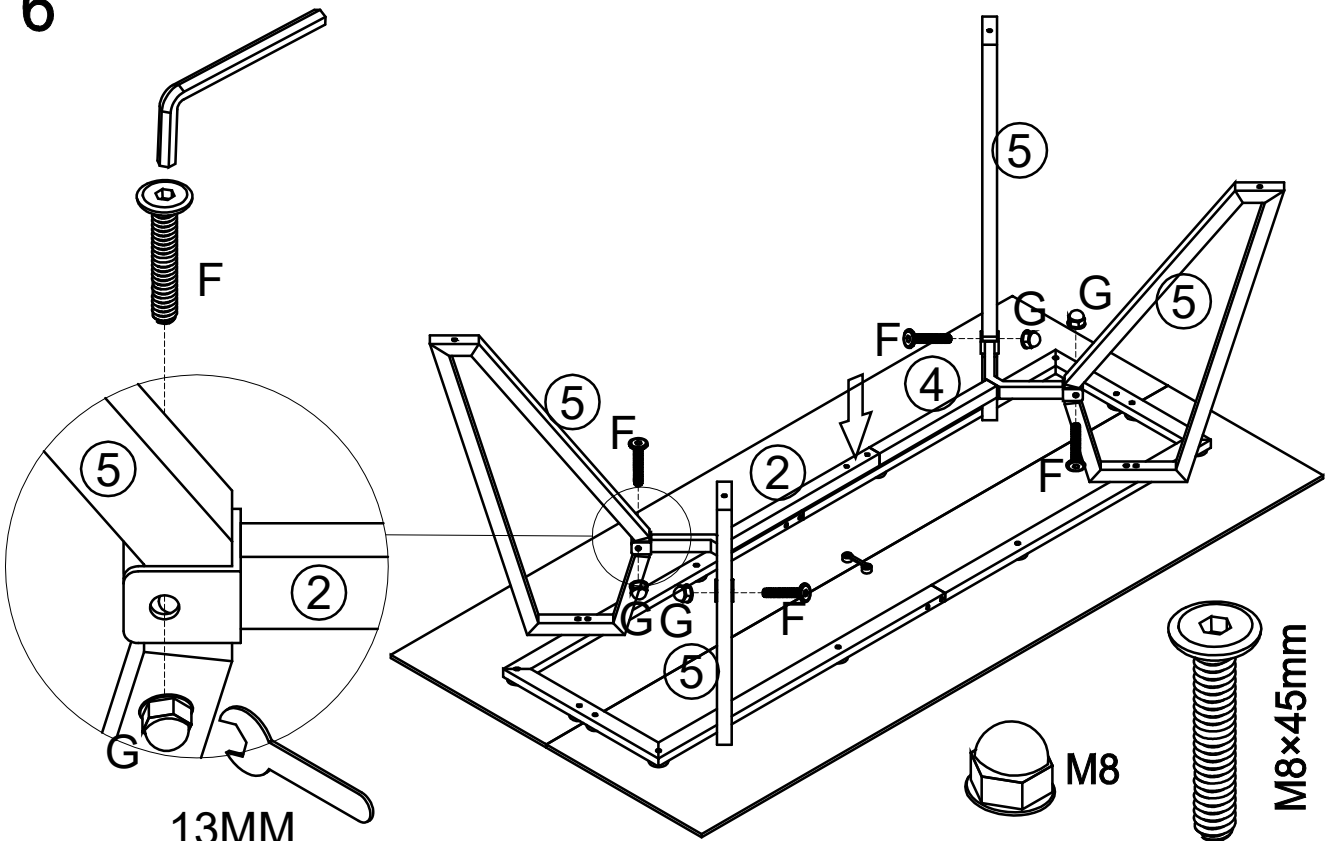
(B) x 2

5



(B) x 2

6



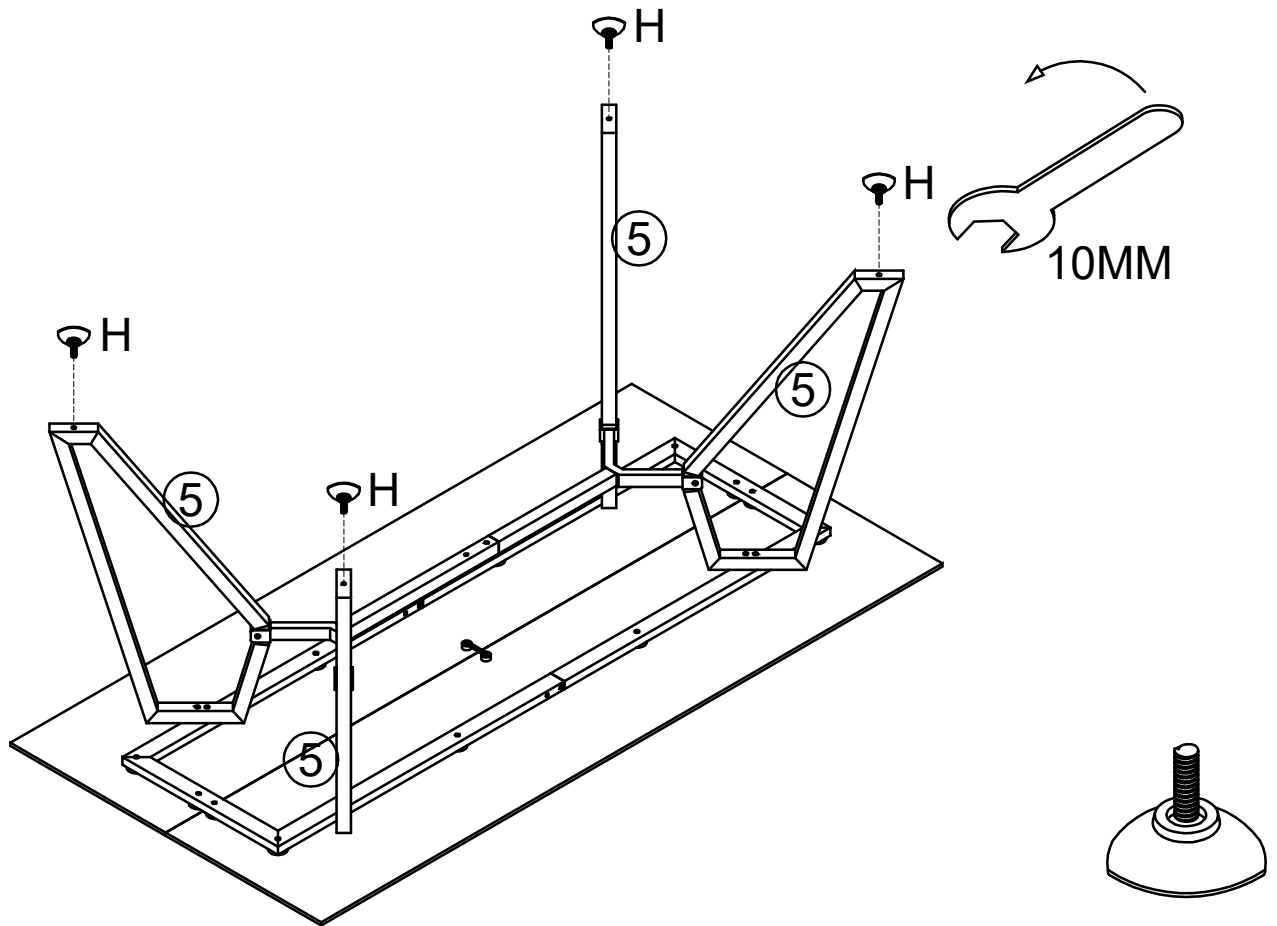
(G) x 4



(F) x 4

13MM

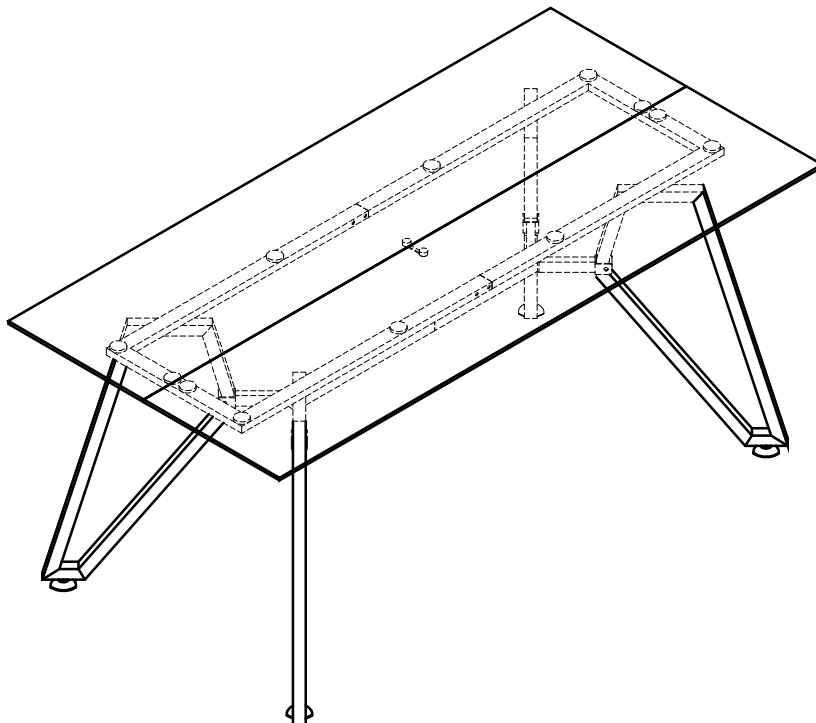
7



It's easier to screw in H pieces of screws vertically.

H x 4

8



【Attention】

Check that all screws are tight before the table is turned over. If the table is uneven after the table is turned over, loosen the screws one by one and tighten again.